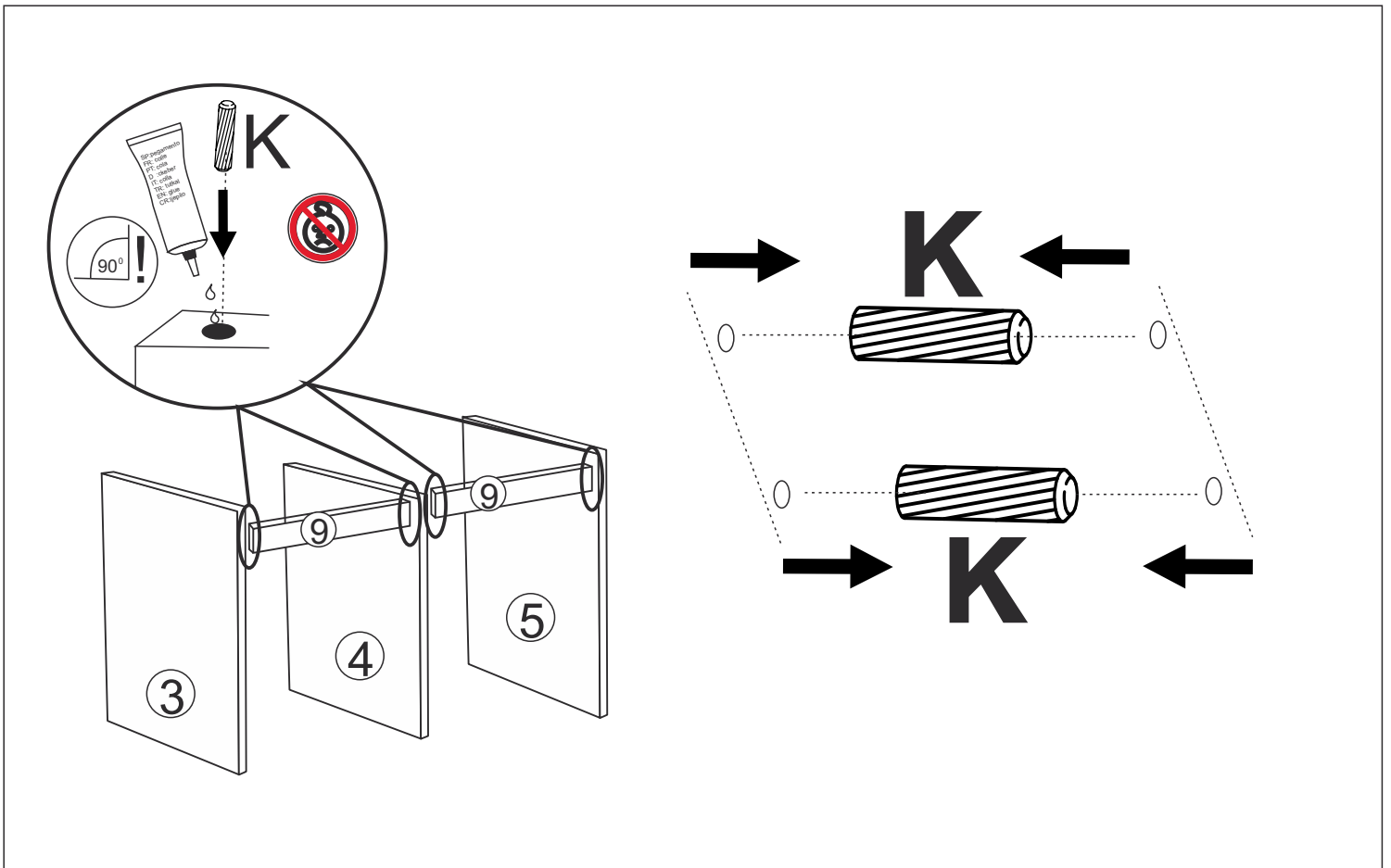
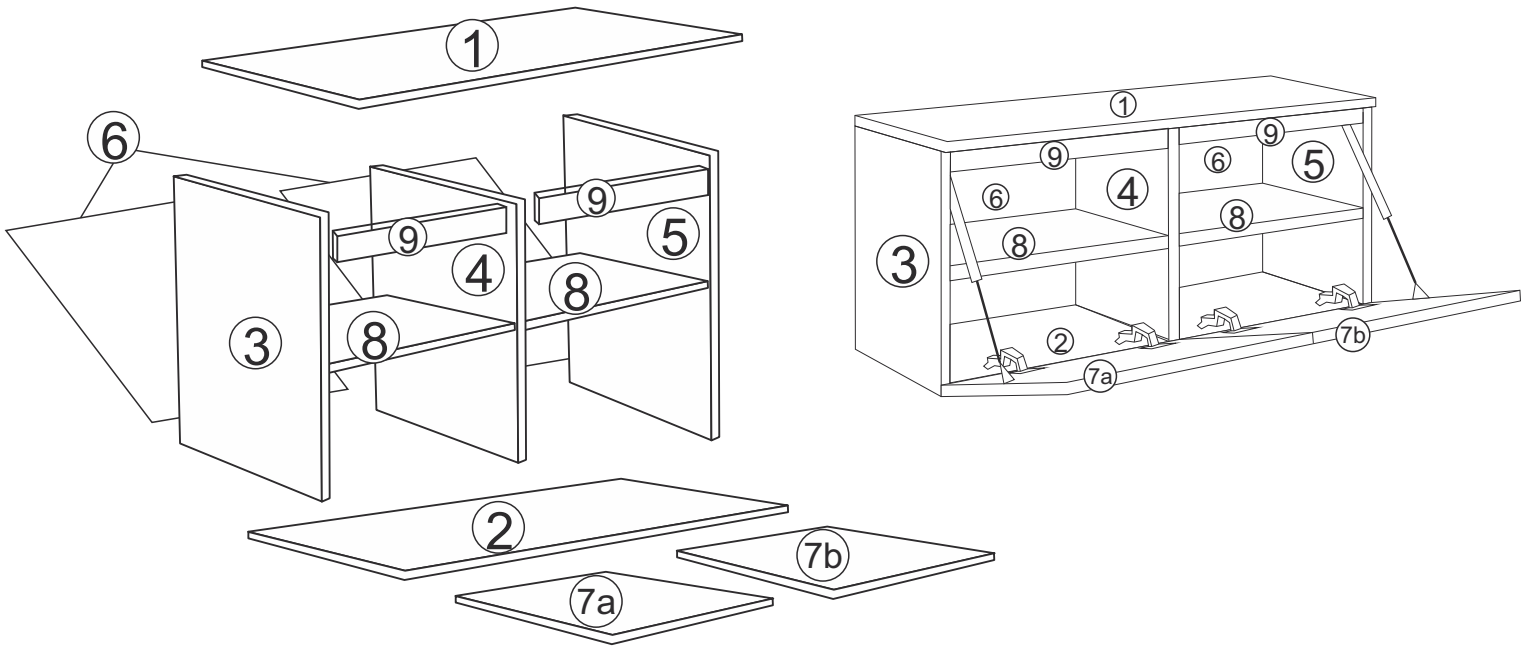
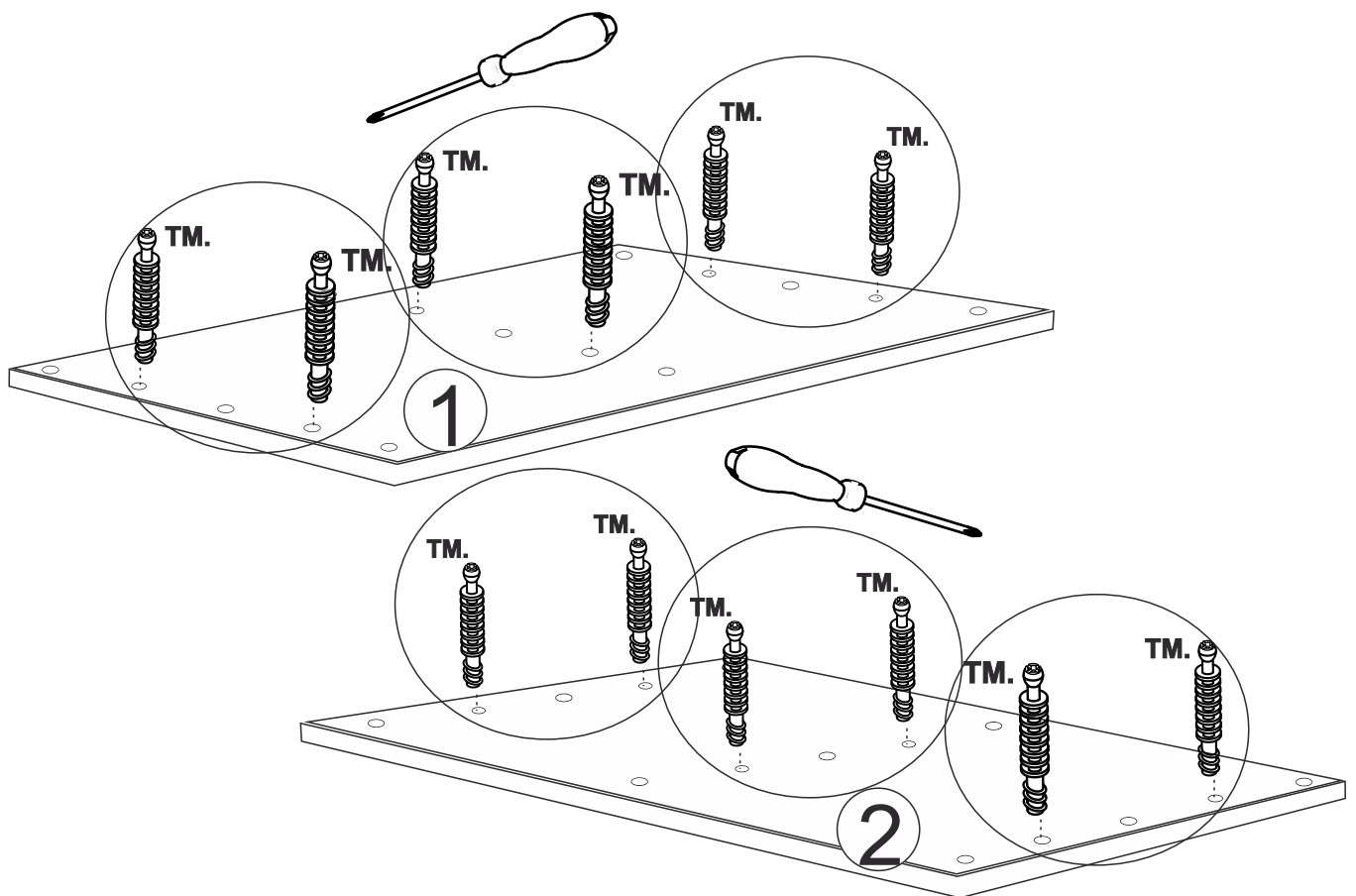
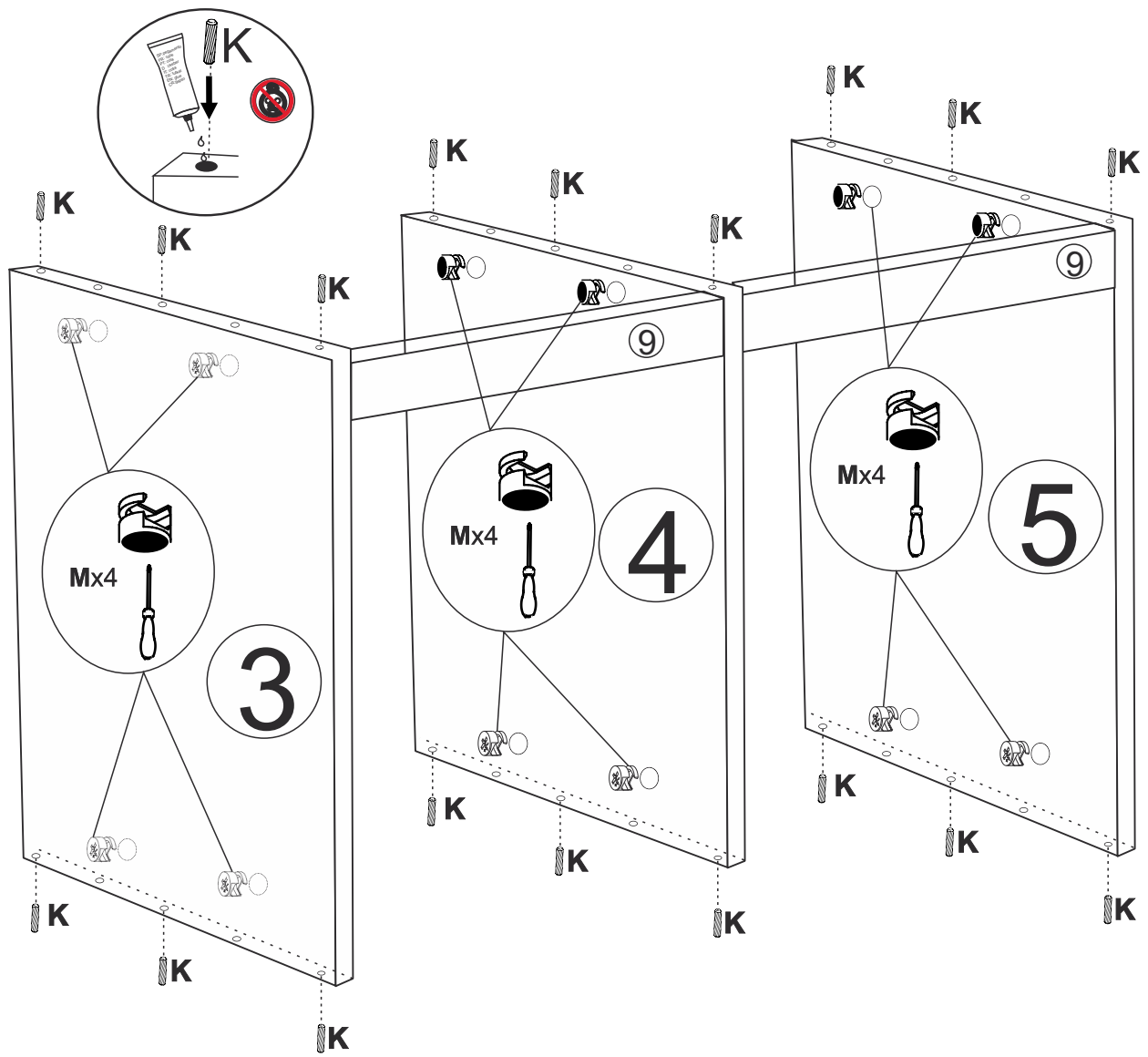
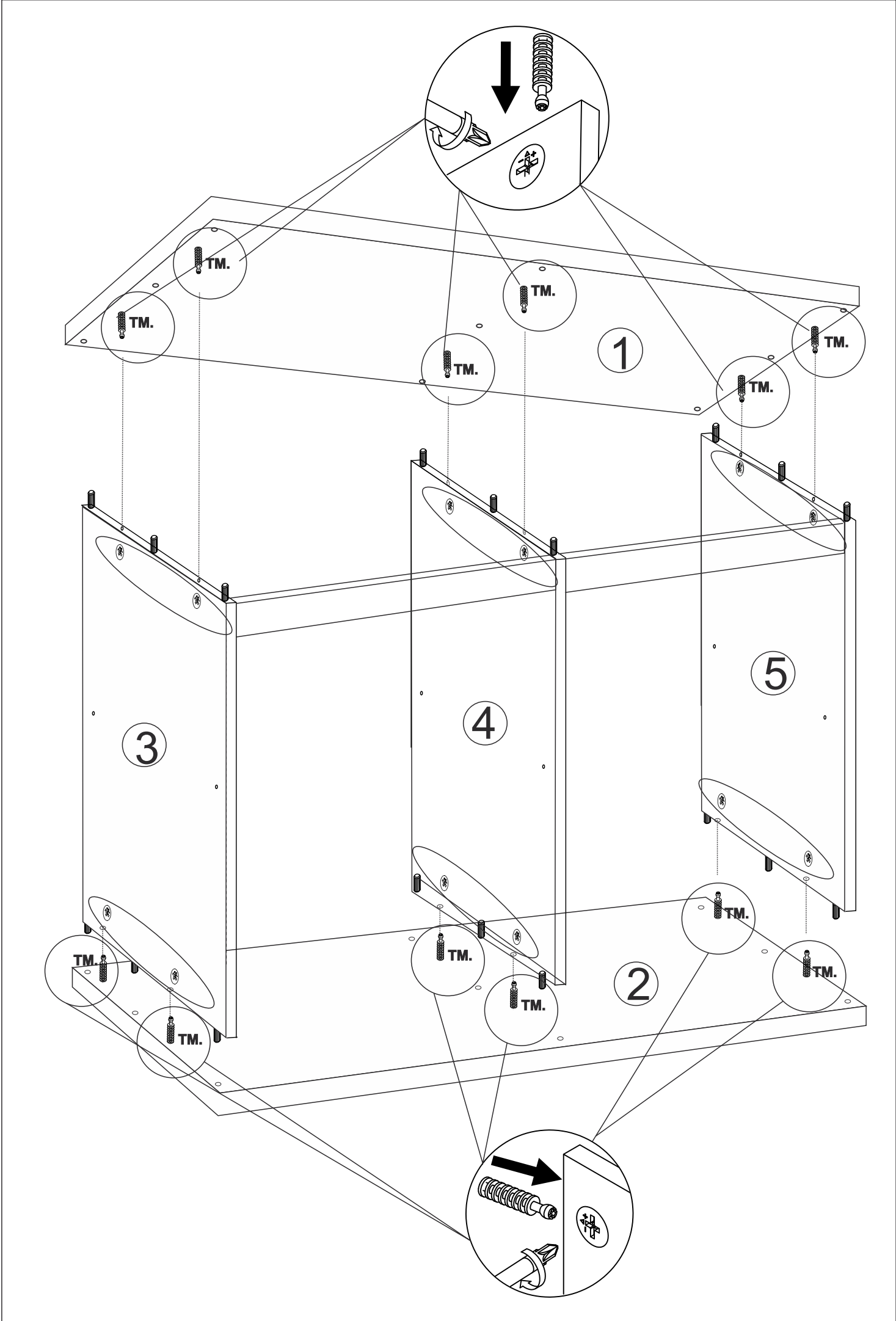
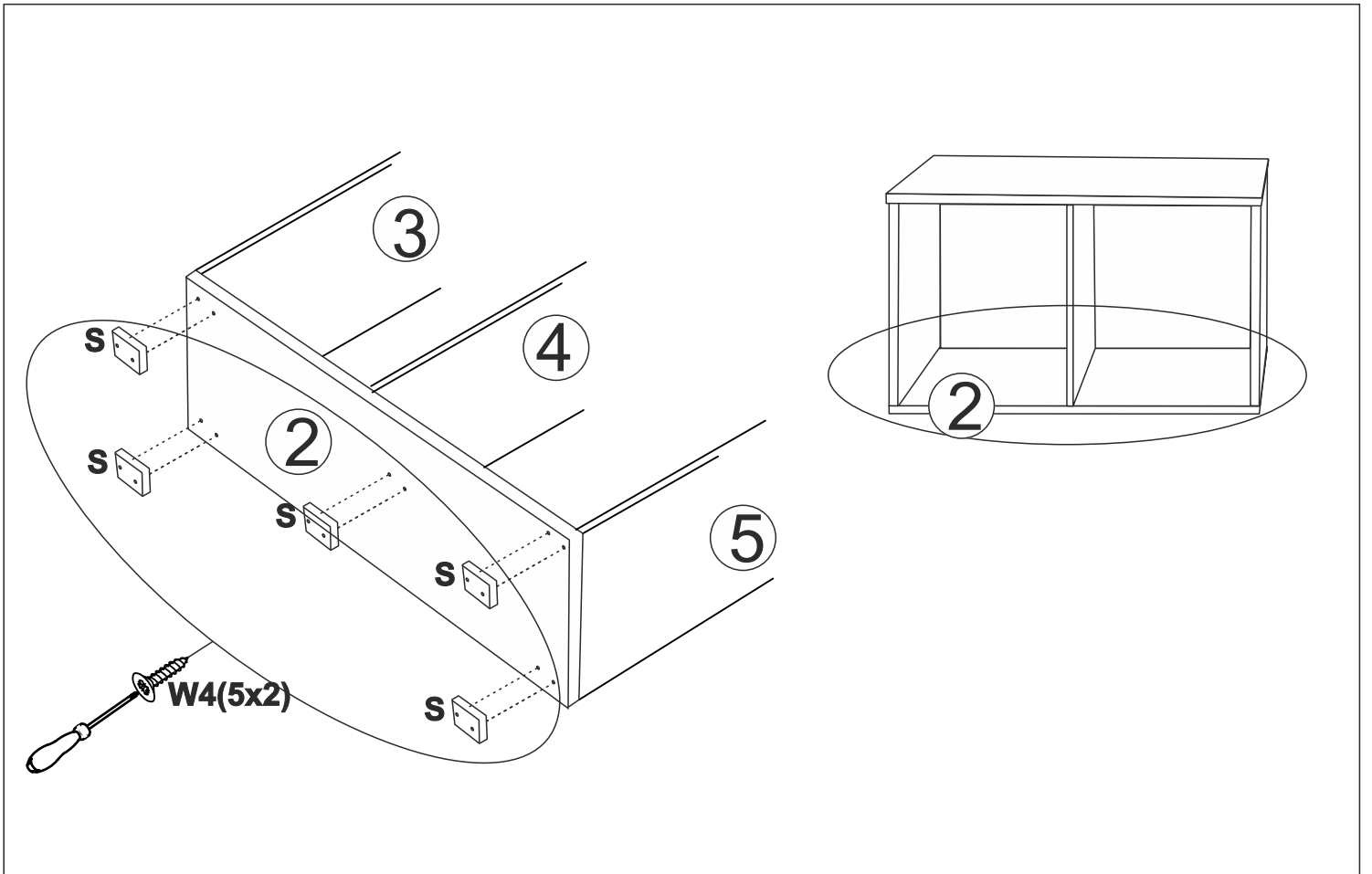
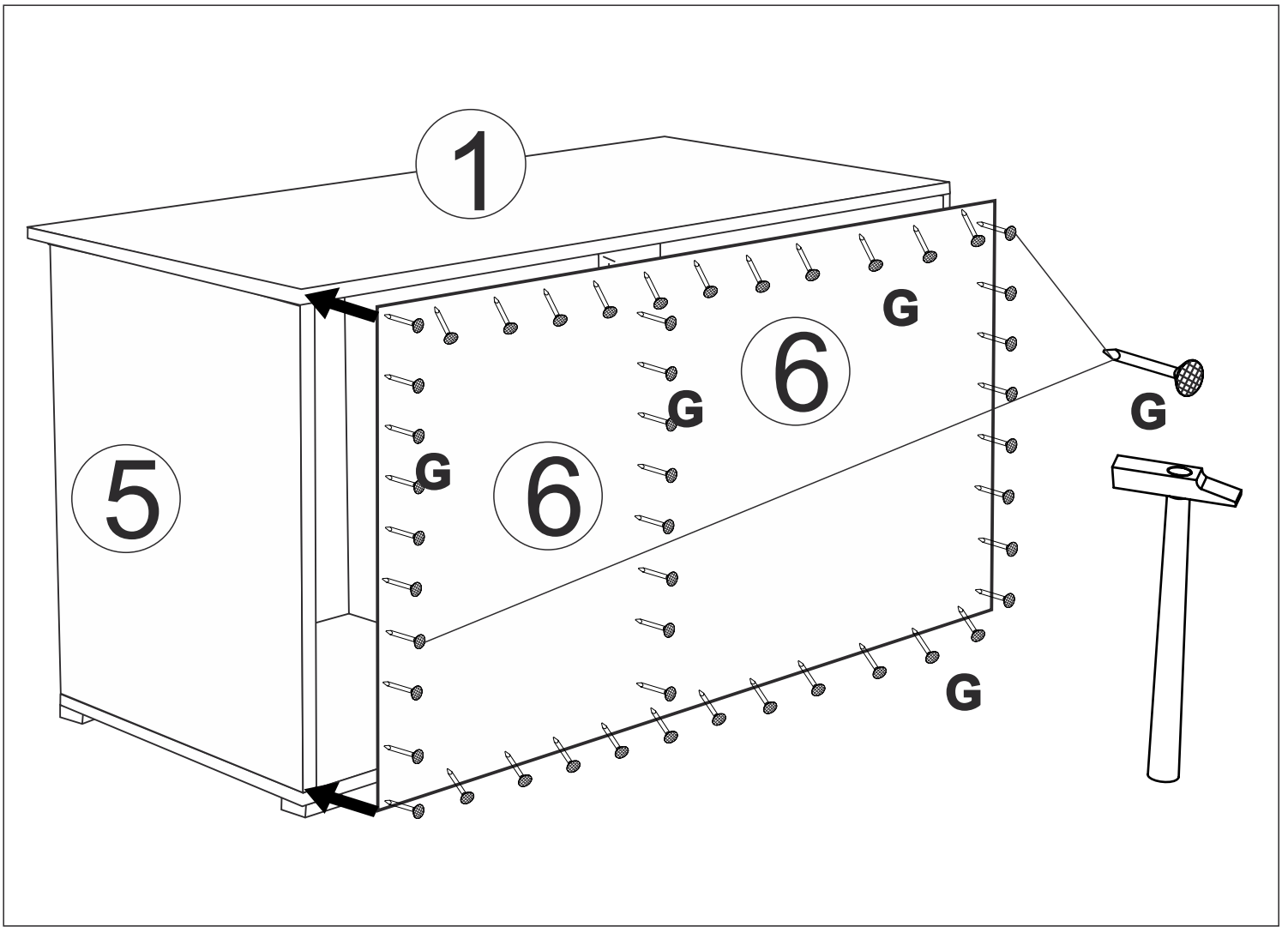


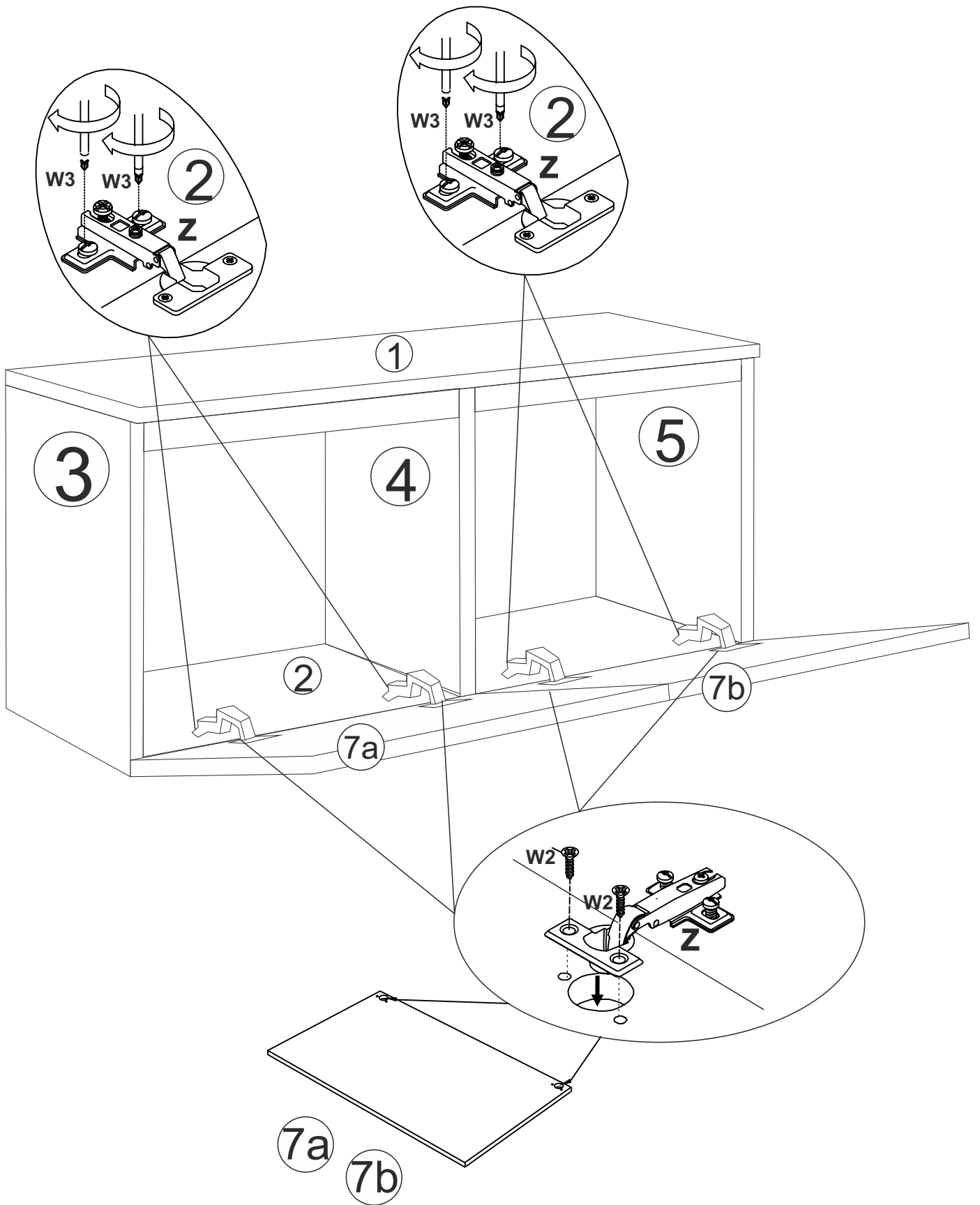
			<b>Kx26szt</b> 	<b>TMx12</b> 	<b>Mx12</b> 	<b>G</b> 
<b>W2</b> 16x3,5mm 	<b>W3</b> 16mmx6 	<b>W4</b> 25mmx3,5 	<b>S</b> 	<b>C</b> 	<b>x18</b>	<b>x8</b>

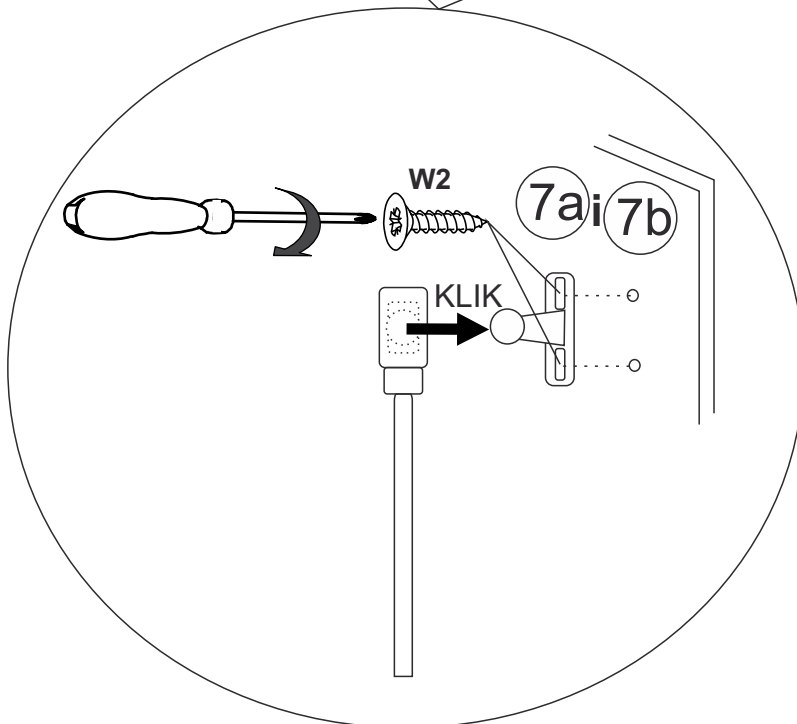
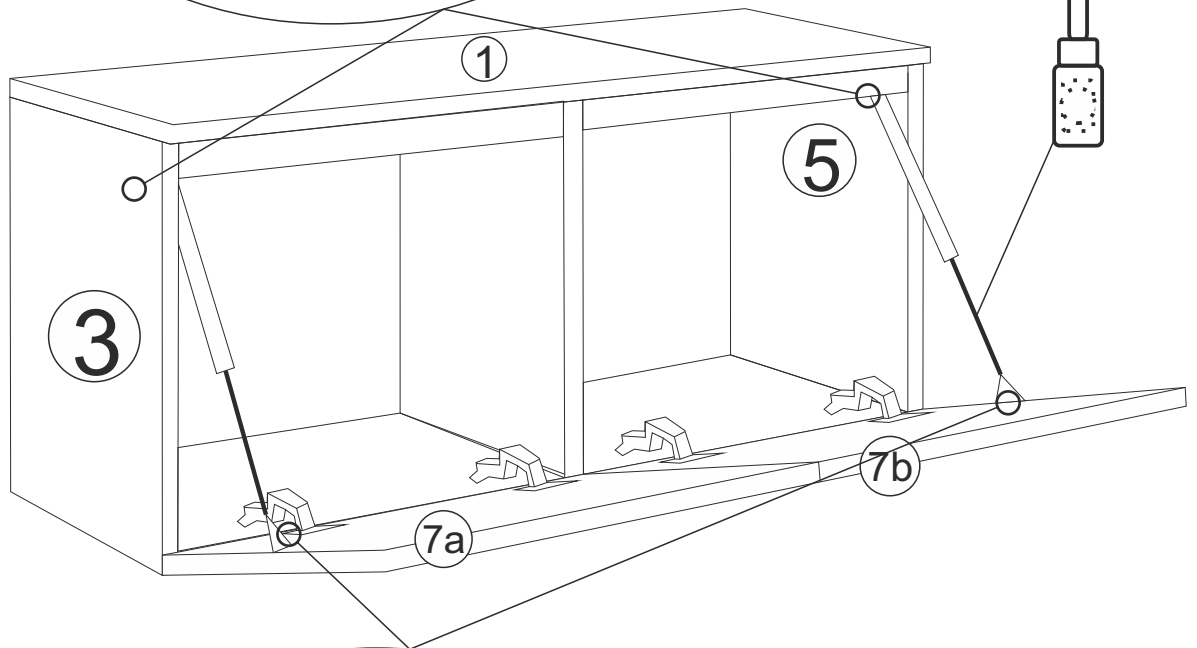
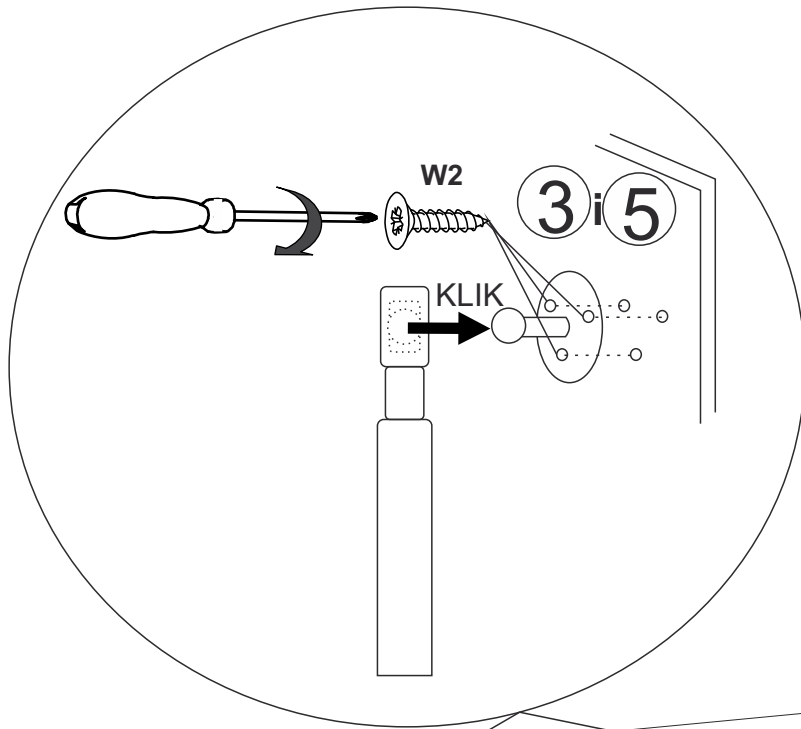


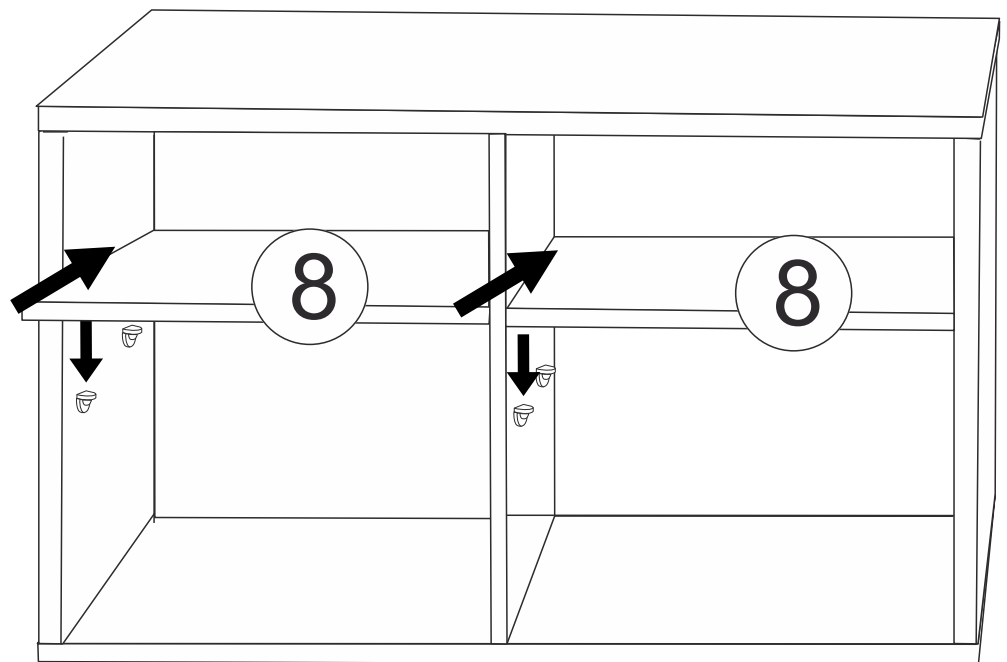
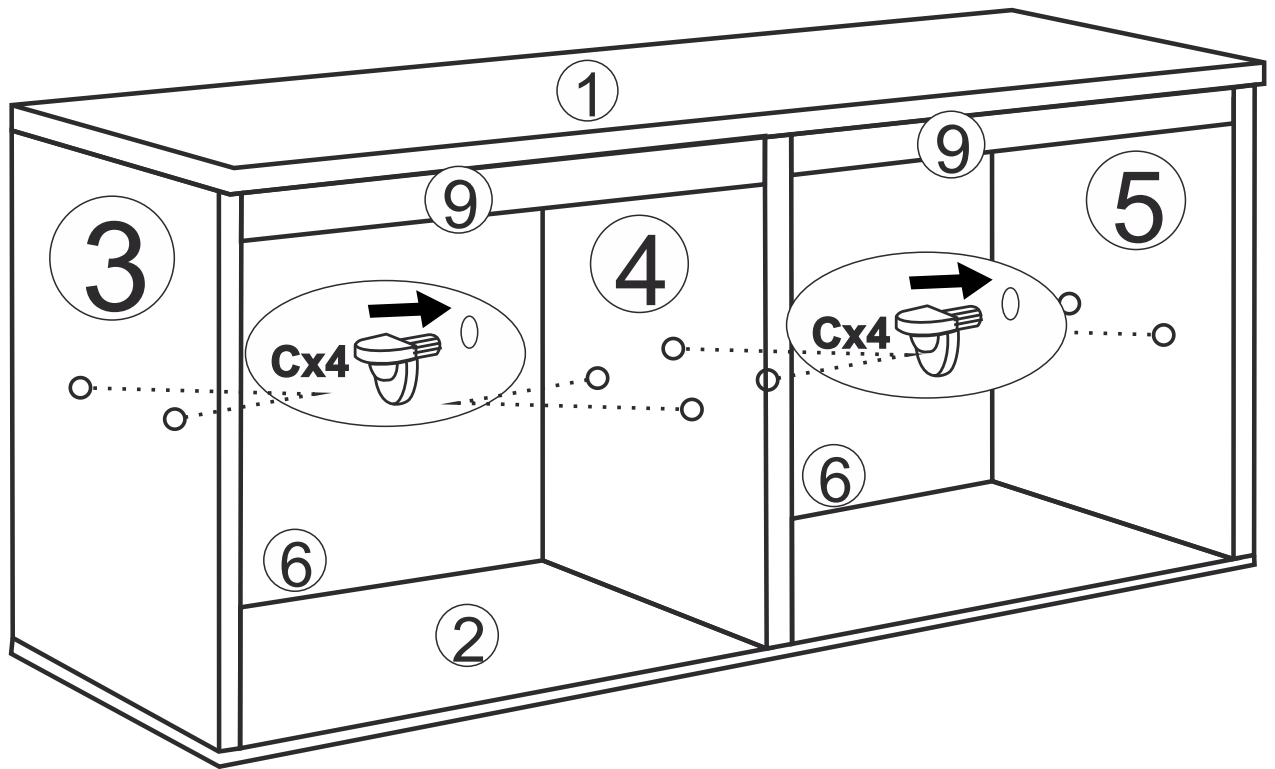









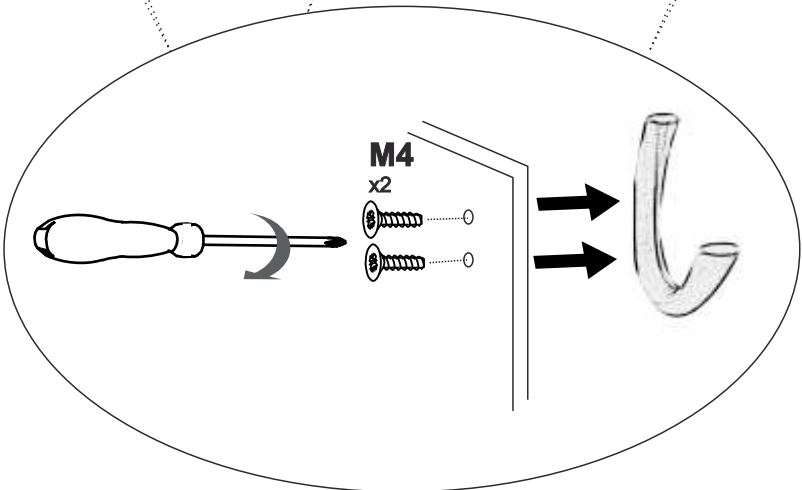
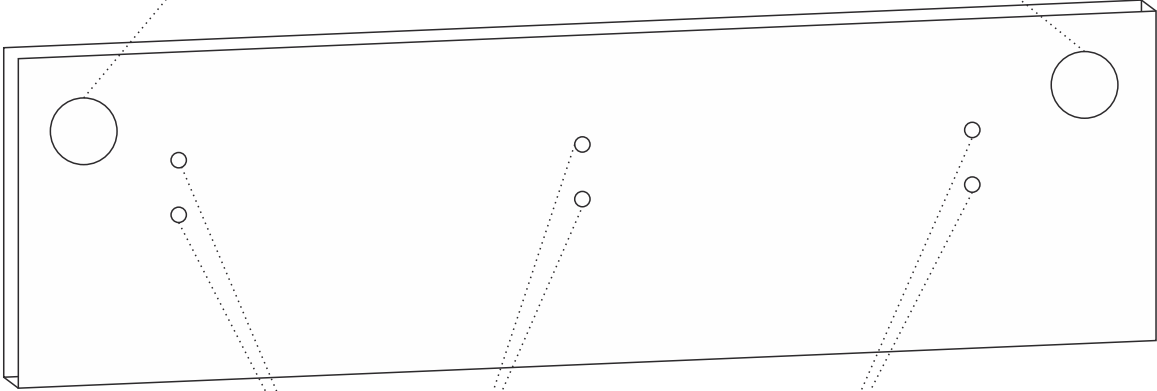
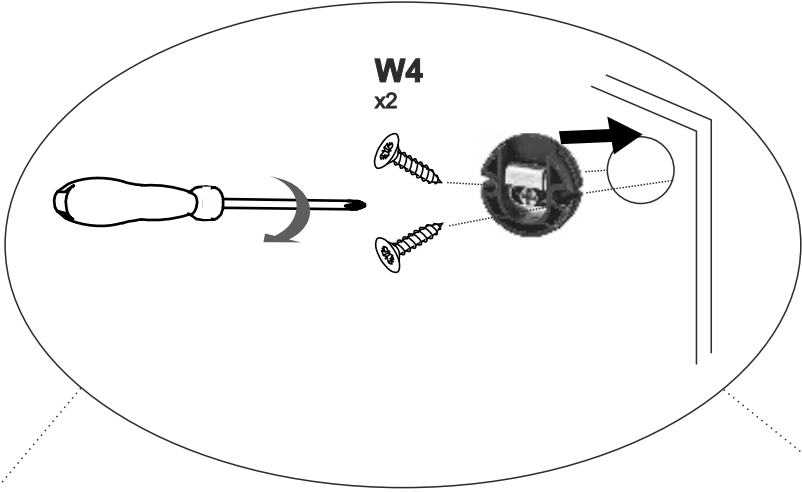
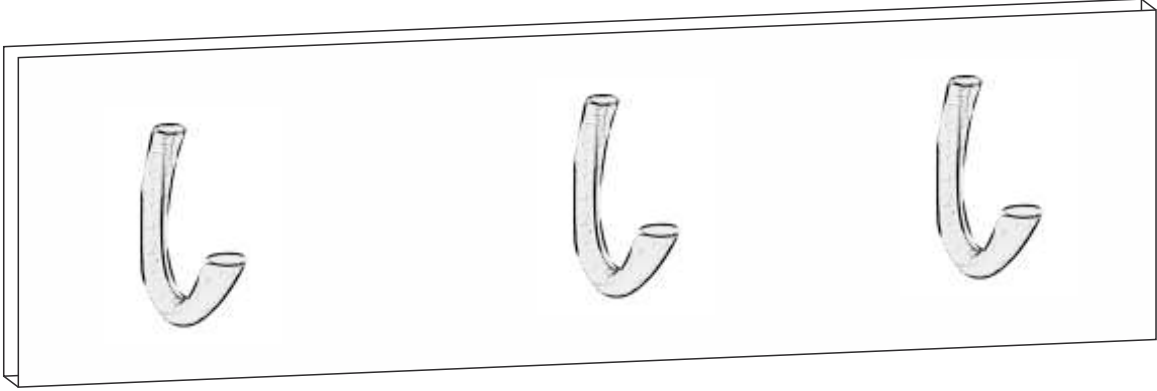




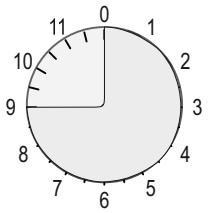
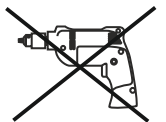
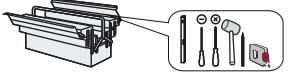
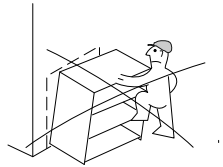
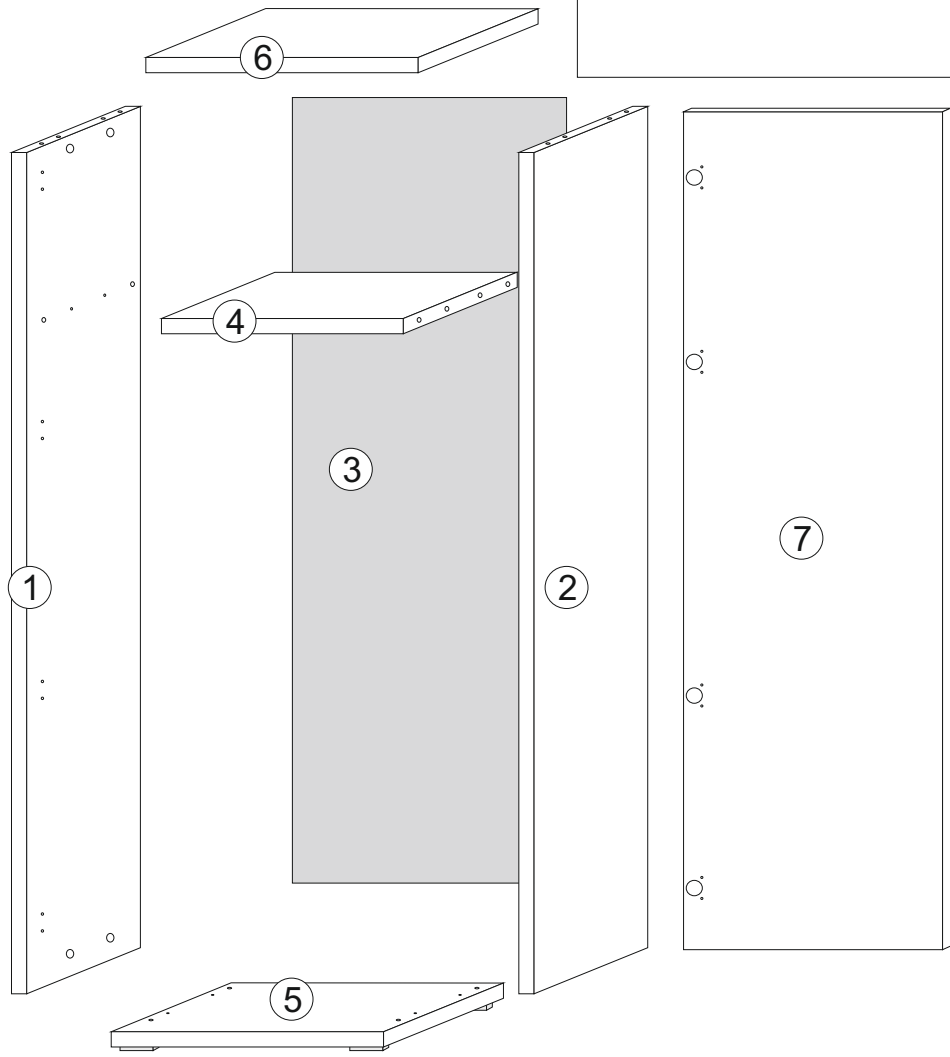
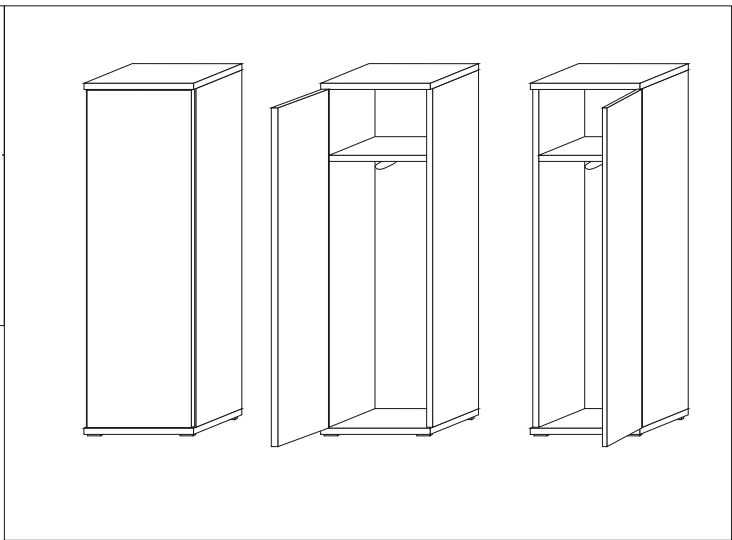
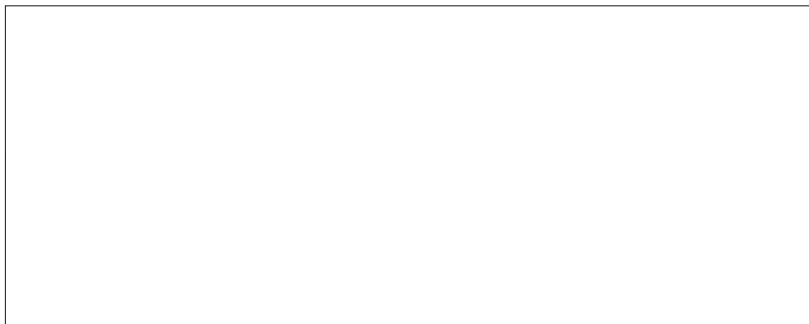


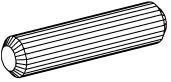
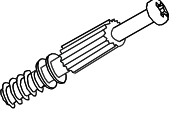
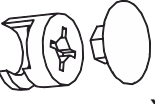
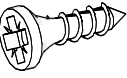

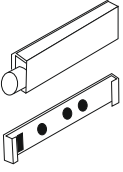
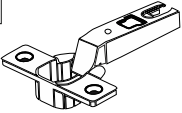
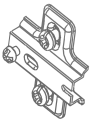
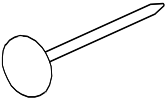
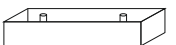
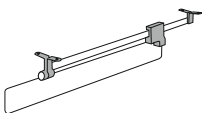





	<b>M4</b> 25mmx4  x6	 x3	 x2	<b>W4</b> 16mmx3,5  x4
---	--	---	---	--

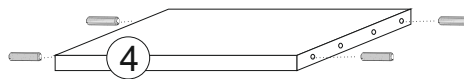
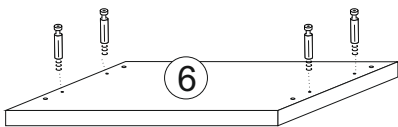
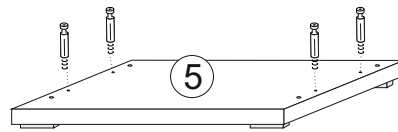
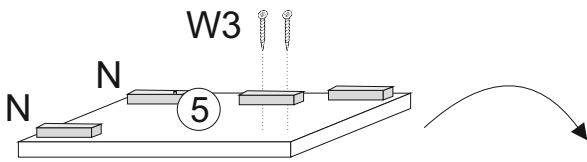
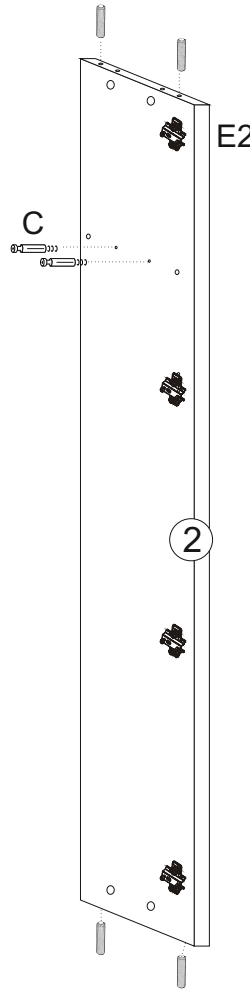
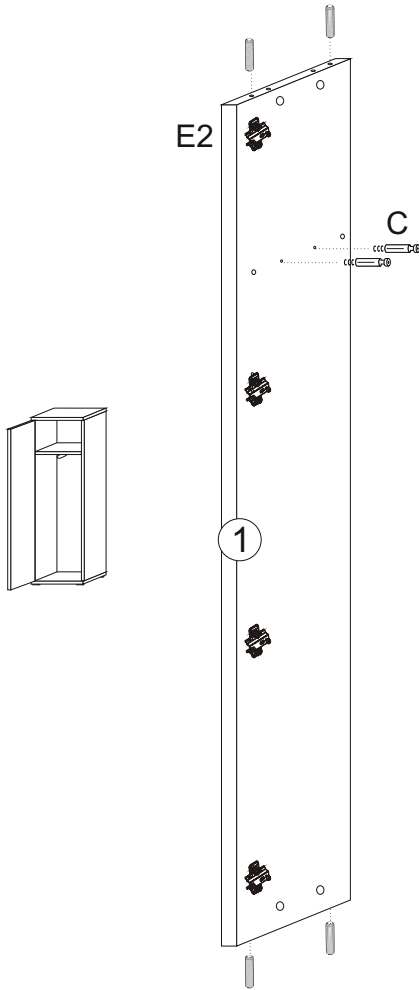
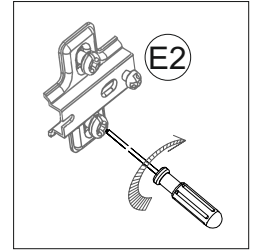
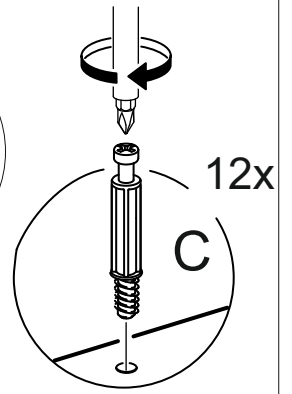
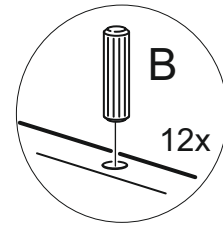
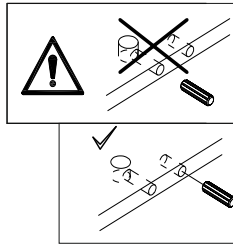
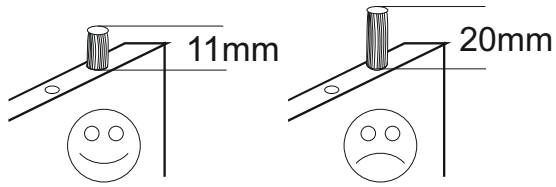




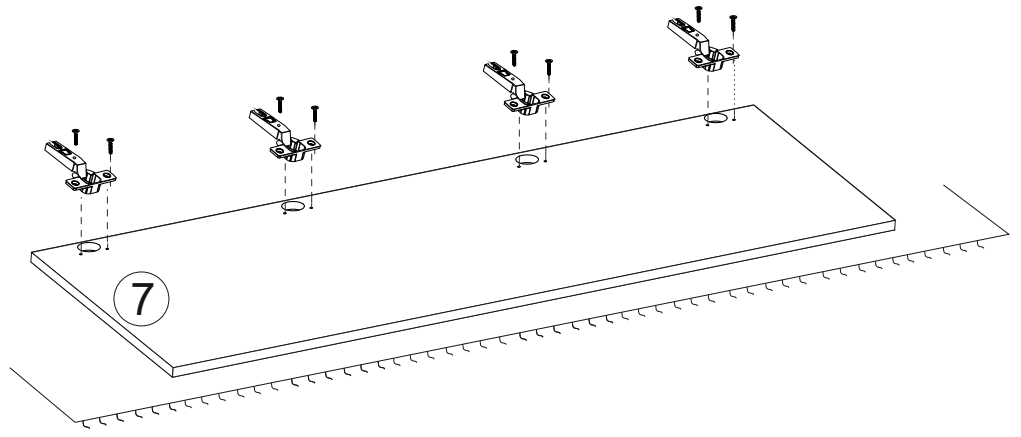
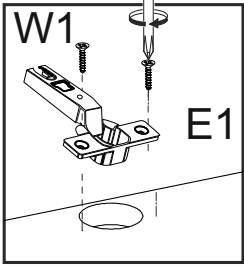


<b>B</b>  x12	<b>C</b>  x12	<b>D</b>  x12	<b>W1 3.5x16</b>  x15	<b>W3 3.5x25</b>  x8
<b>W</b>  x1	<b>E1</b>  x4	<b>E2</b>  x4	<b>G</b>  	<b>N</b>  x4
<b>K</b>  x1	<b>E3</b>  x8	<b>E4</b>  x2	<b>A</b>  x1	

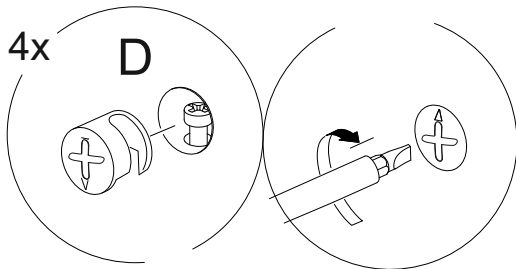
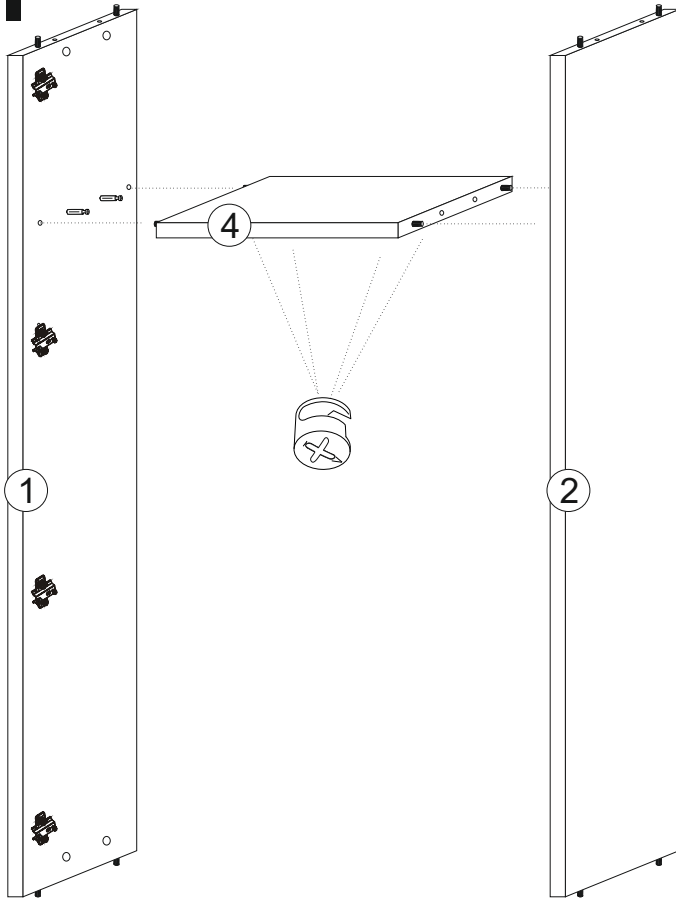
I



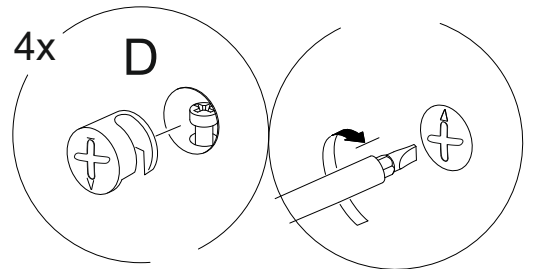
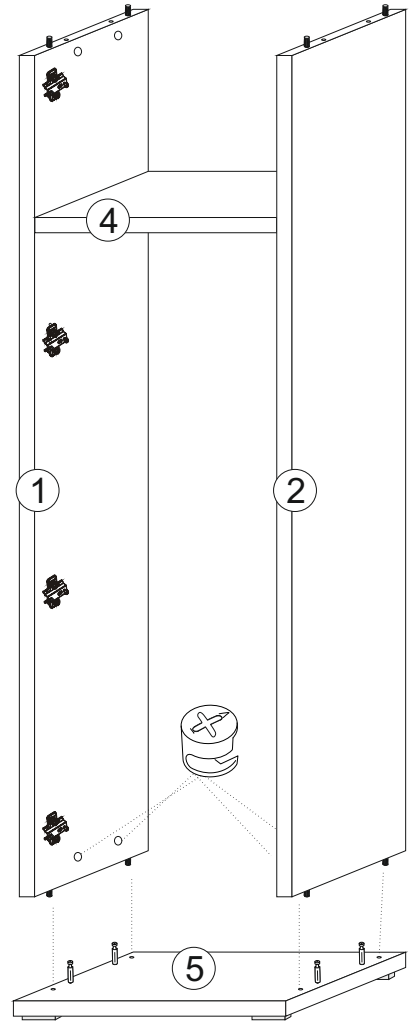
II



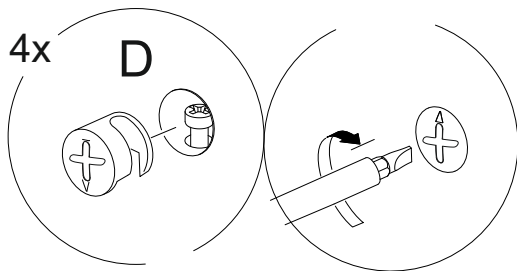
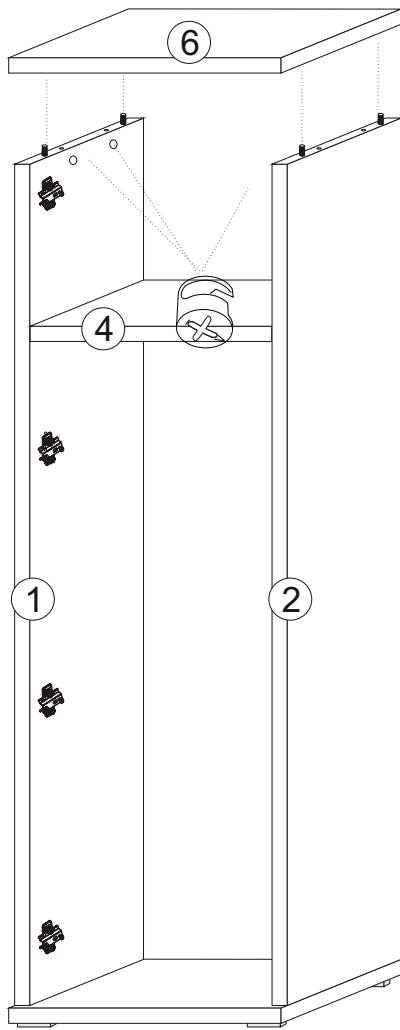
III



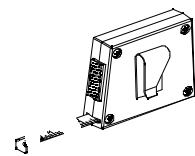
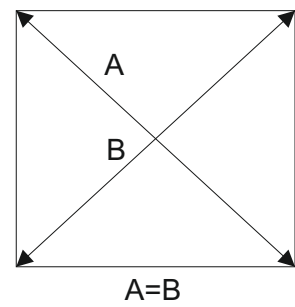
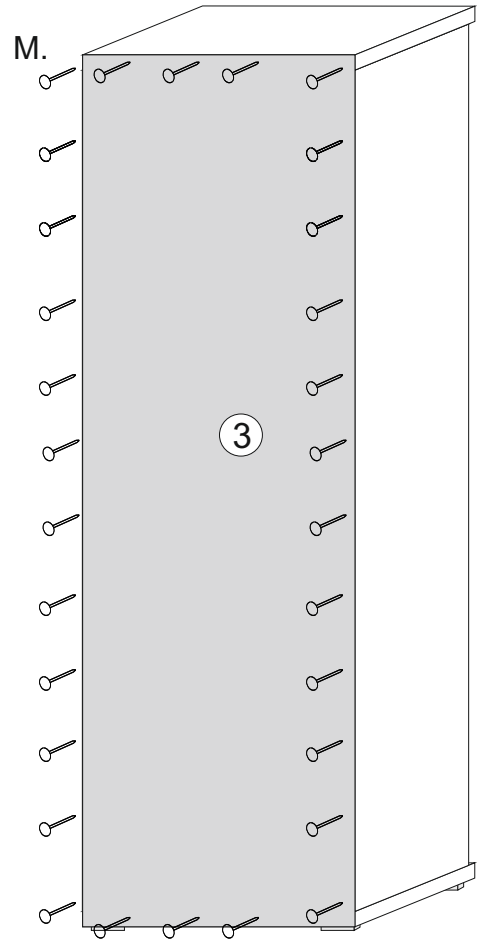
IV



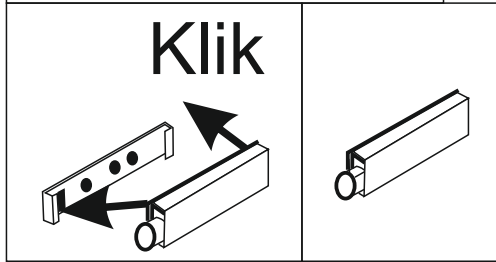
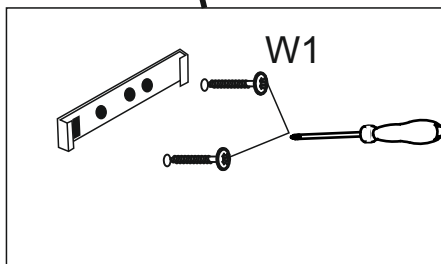
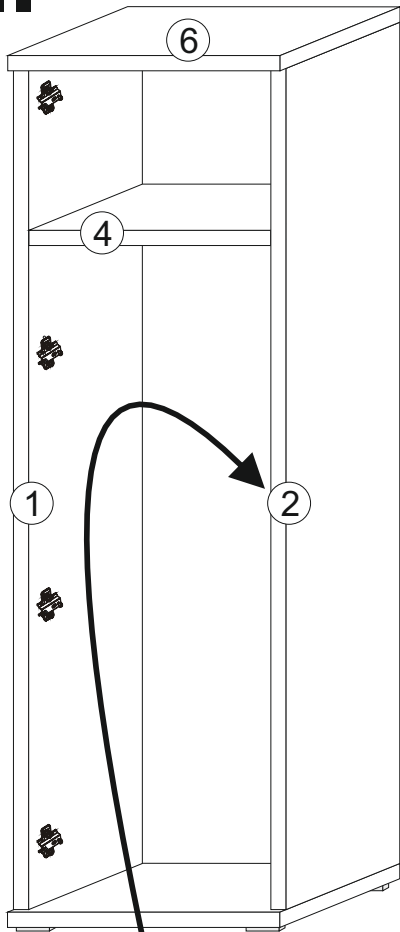
# V



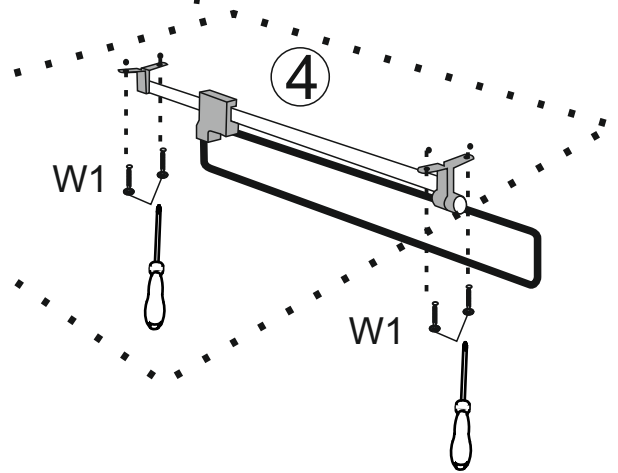
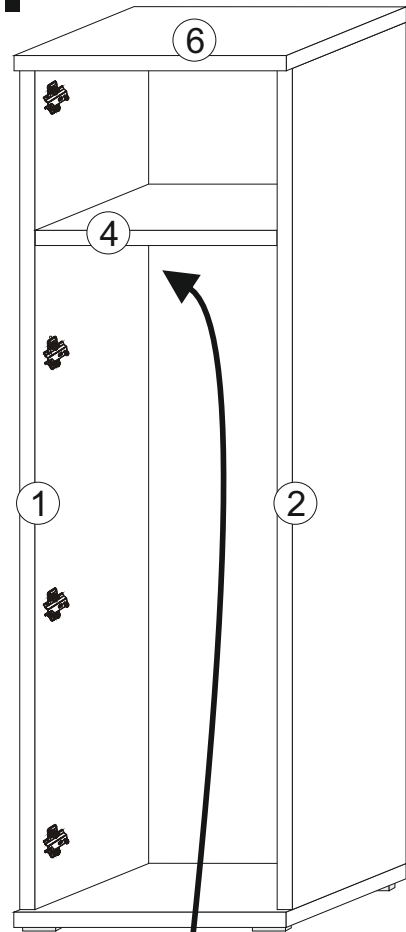
# VI



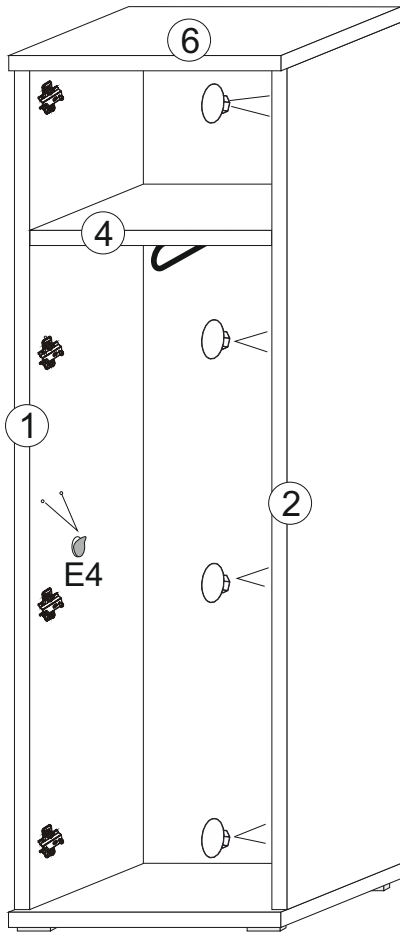
# VII





# VIII

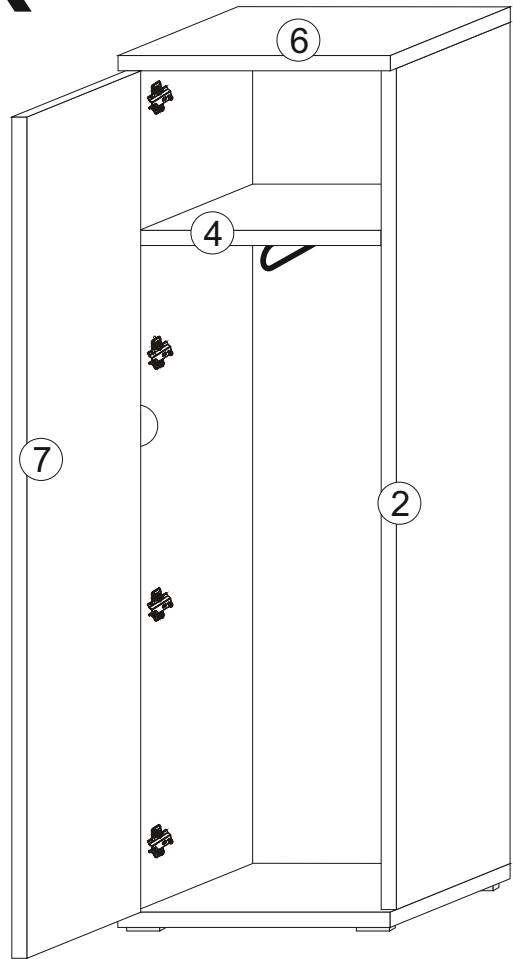


# IX

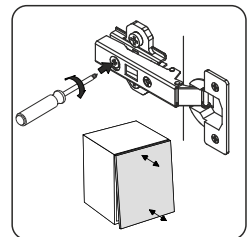
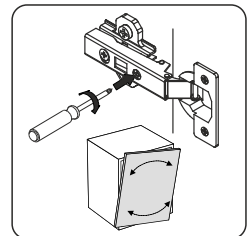
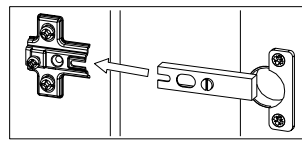


E3		x8
E4		x2

# X



1



2

