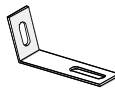
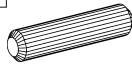


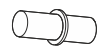
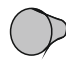


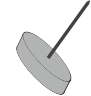
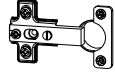

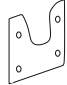
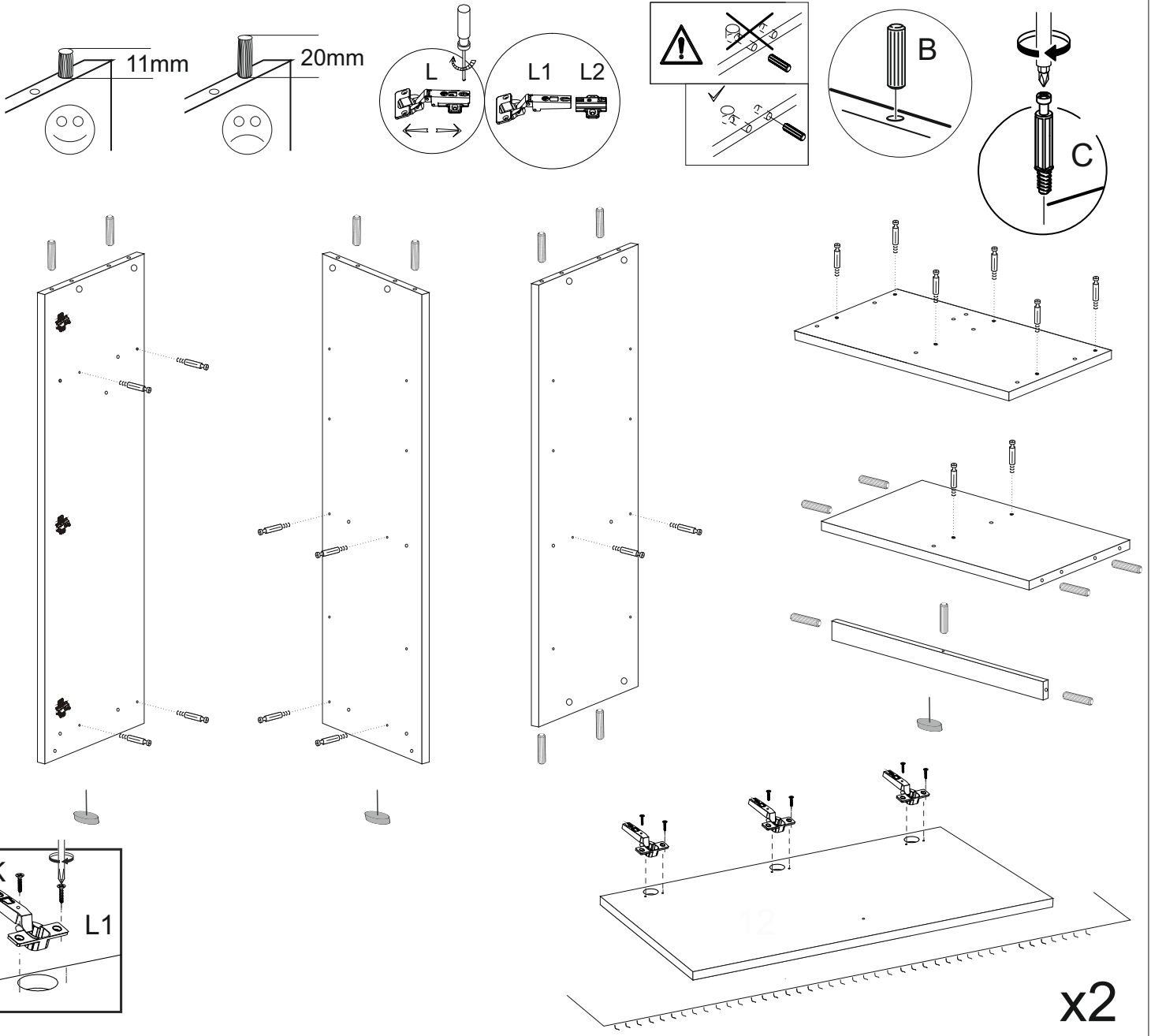
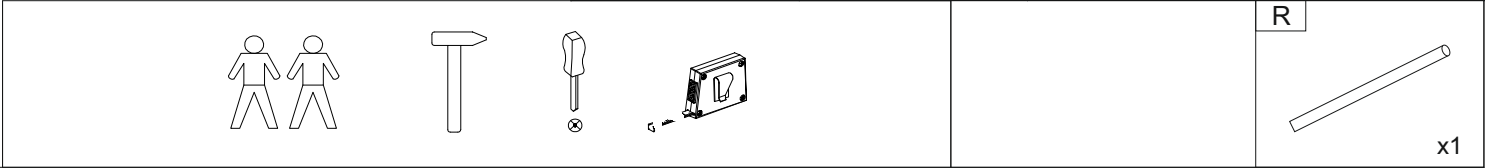
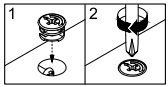
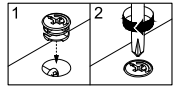
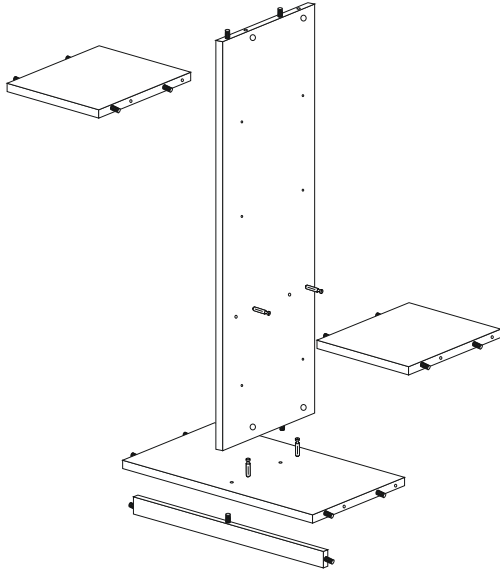


T  x1	B  x23	C  x20	D  x20
E  x12	F  x2	G 4x27  x2	H  x50
I  x6	L  x6	K 3.5x16  x22	M.  x2

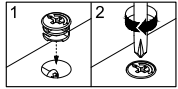
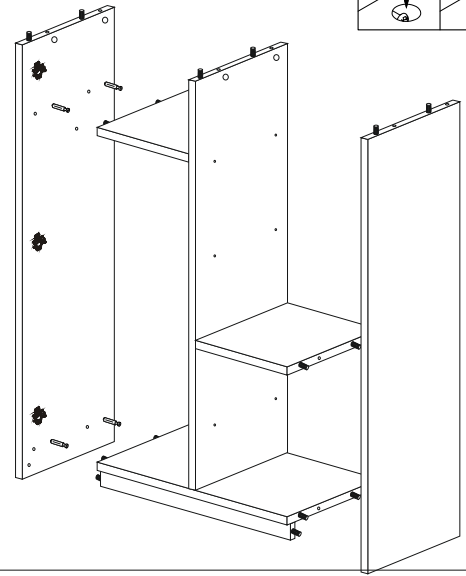




x6



x8



x6

