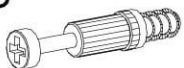

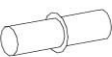
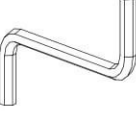

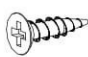



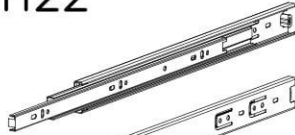




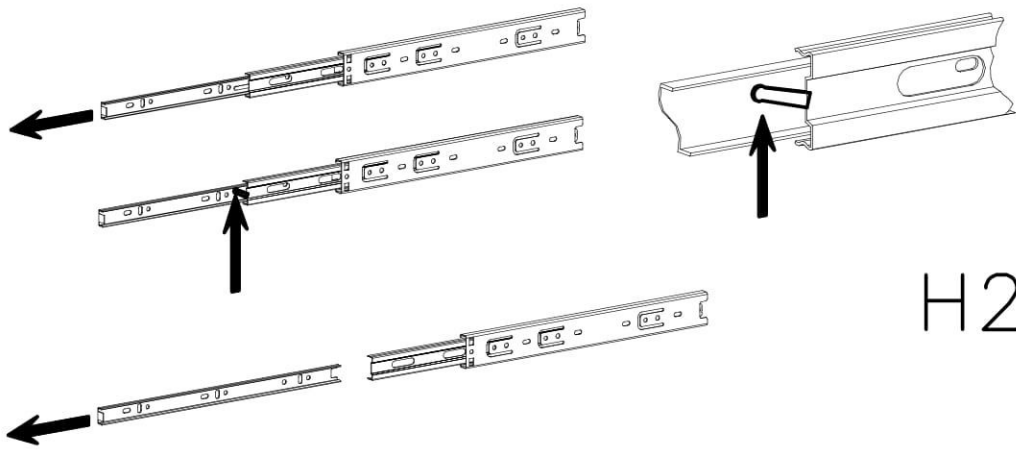
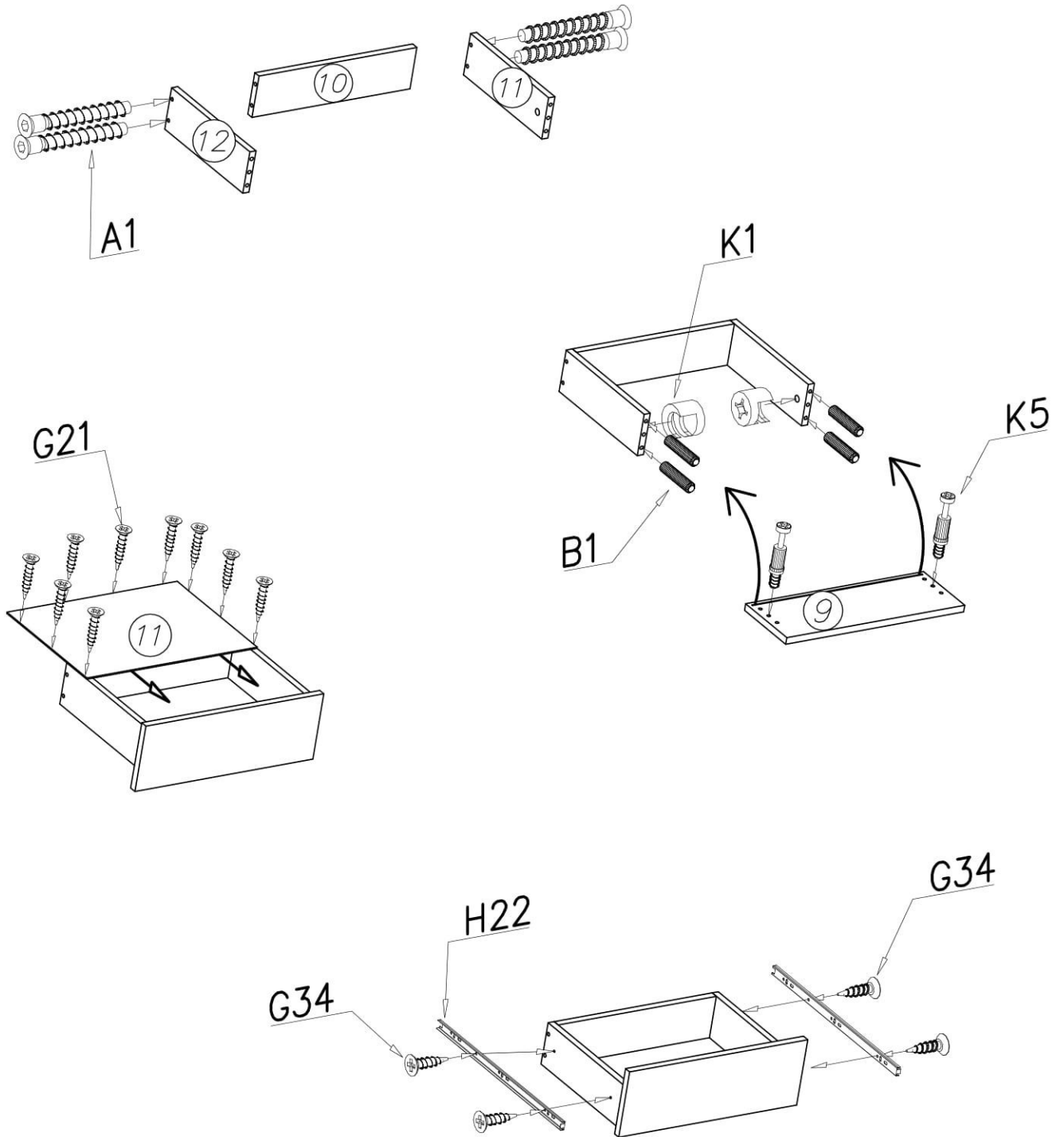
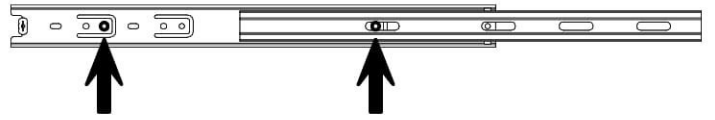
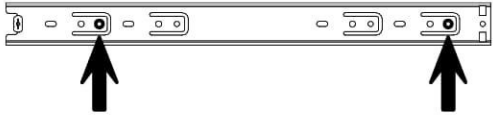


<b>K5</b>  x26	<b>G21</b>  3x16 x30	<b>F2</b>  x4	<b>W3</b>  5mm x1	<b>A2</b>  ø7x70 x2
<b>G34</b>  3,5x16 x24	<b>B3</b>  ø8x50 x8	<b>K1</b>  ø15x12 x26	<b>W2</b>  4mm x1	<b>H22</b>  x3
<b>A1</b>  ø7x50 x12	<b>N31</b>  M8x50 x2	<b>I7</b>  ø18 x26	<b>B1</b>  ø8x35 x34	

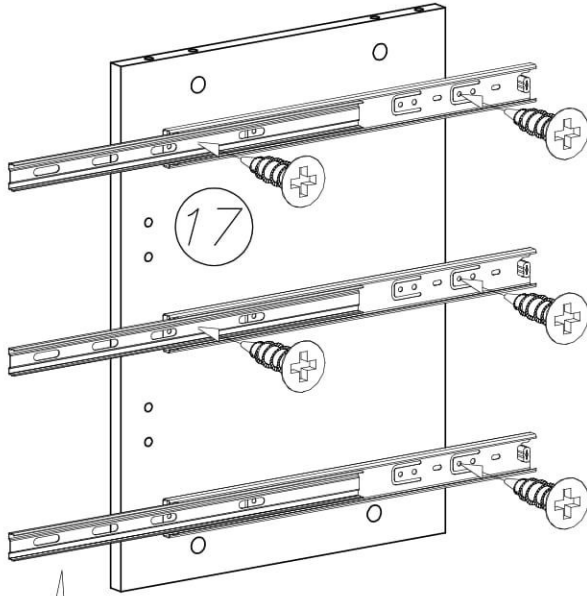


1

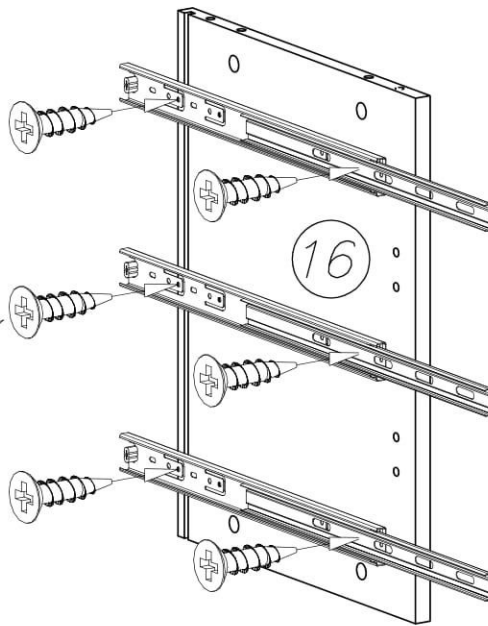




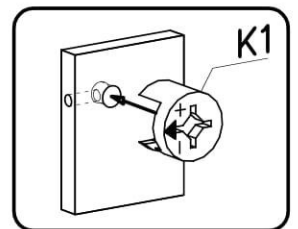
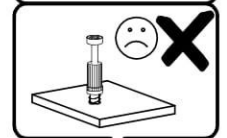
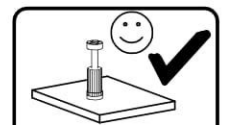
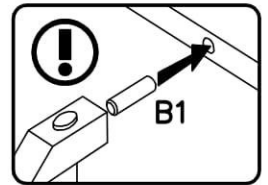
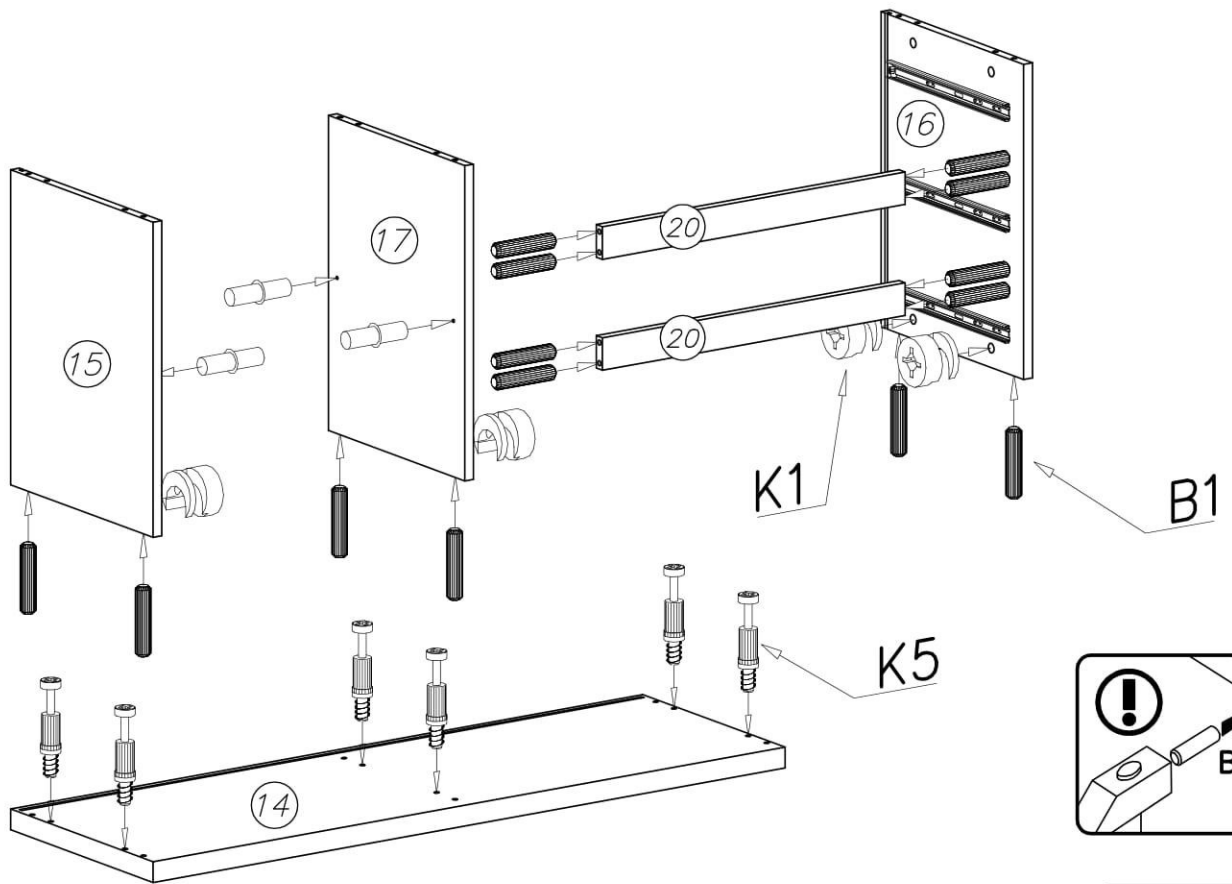
2



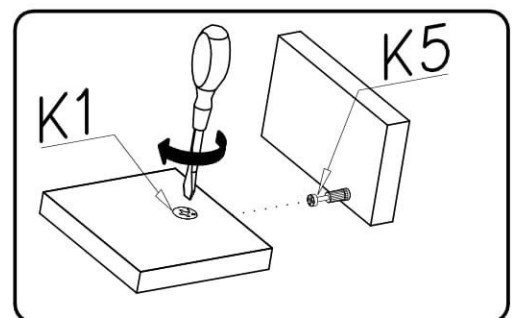
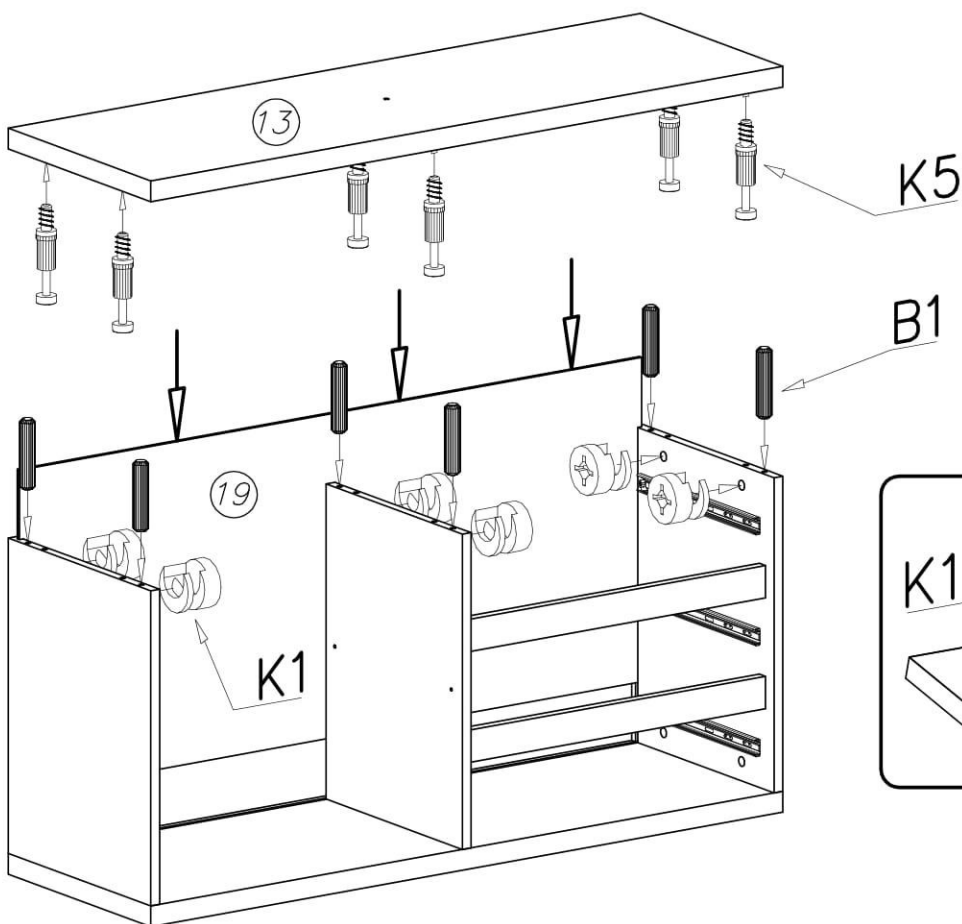
H22



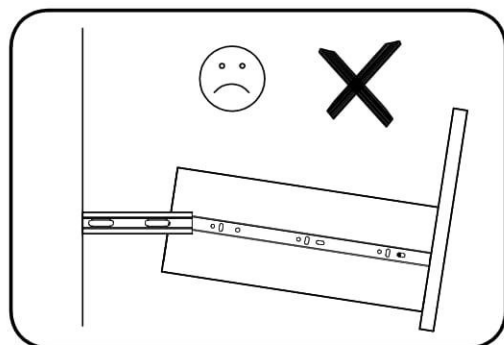
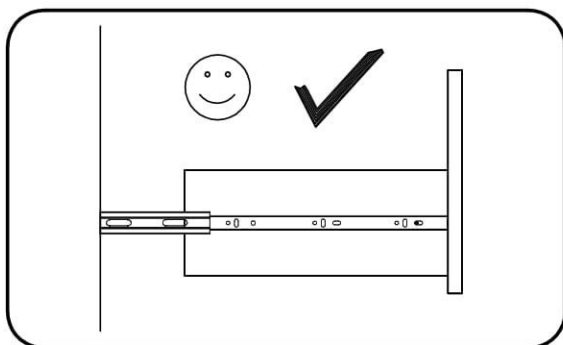
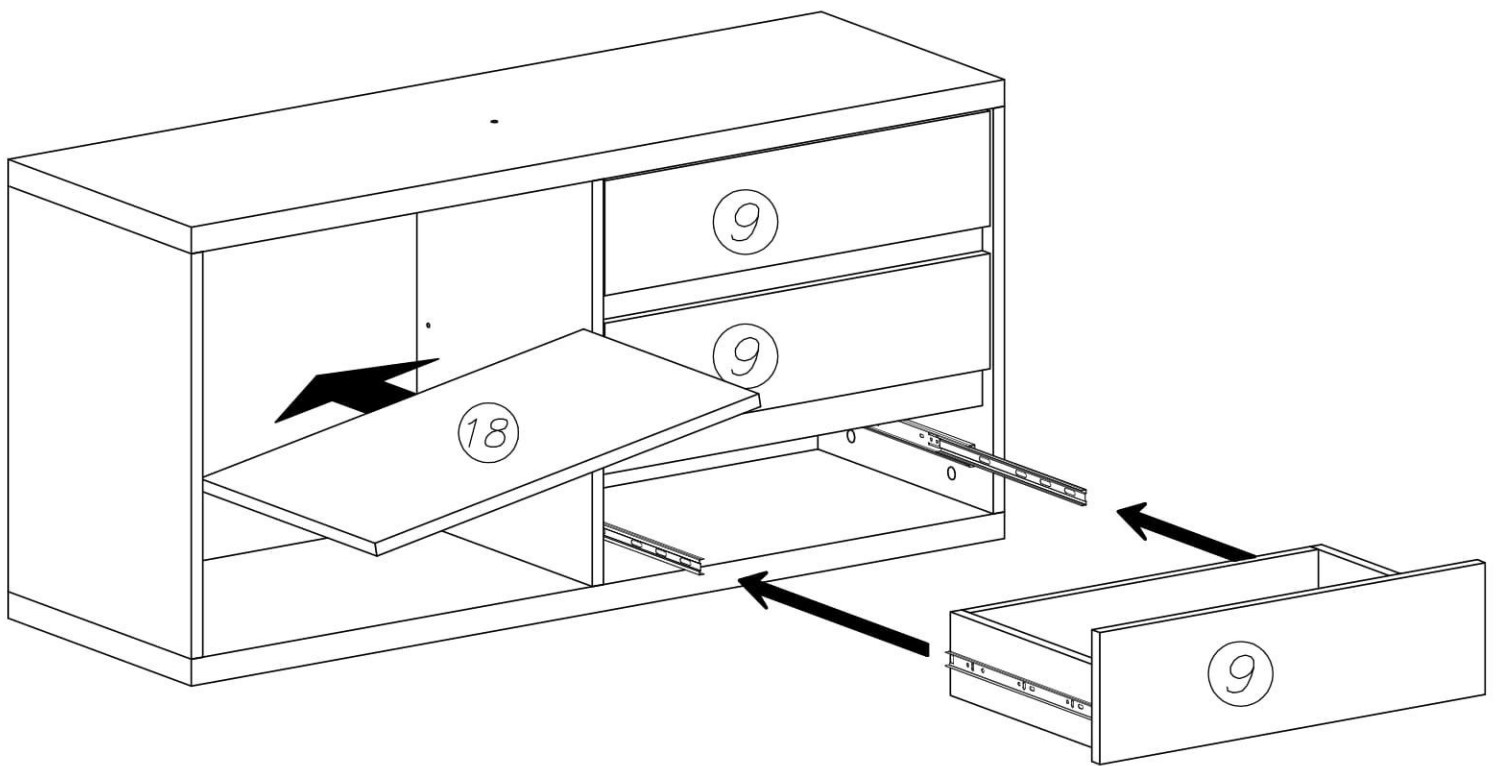
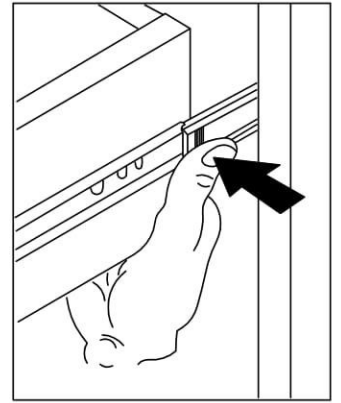
3



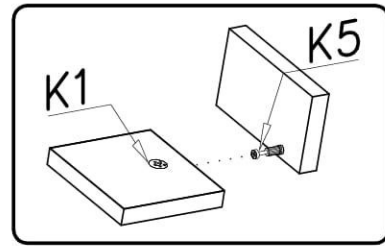
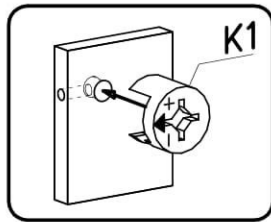
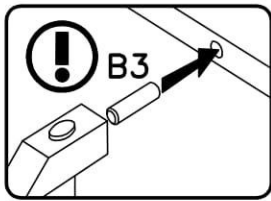
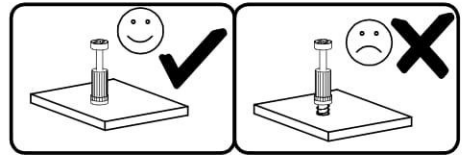
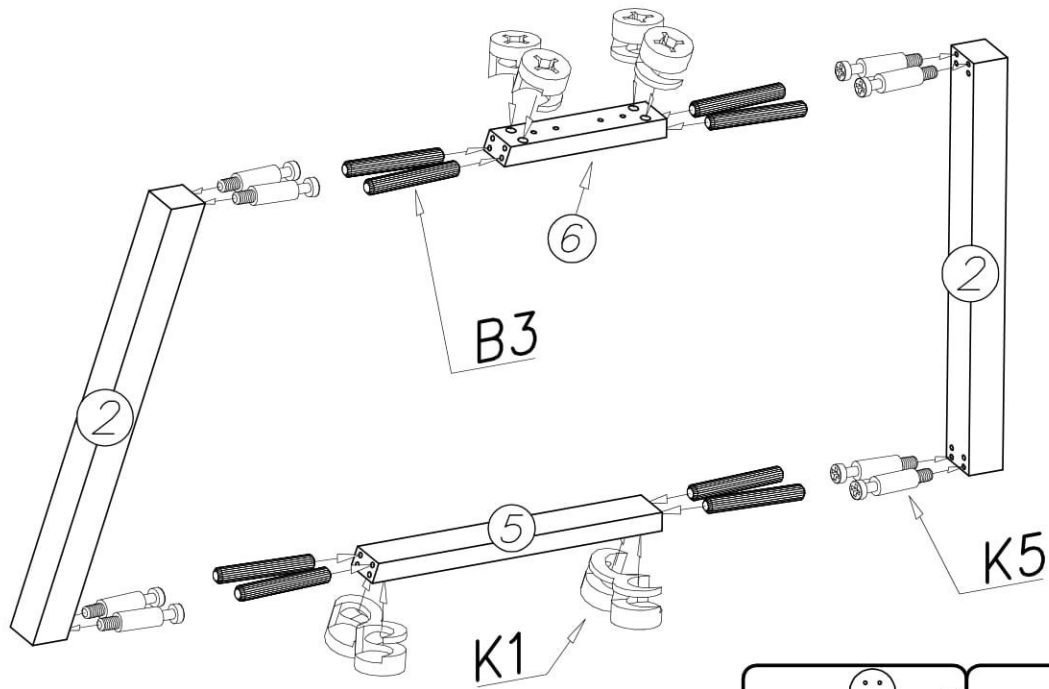
4



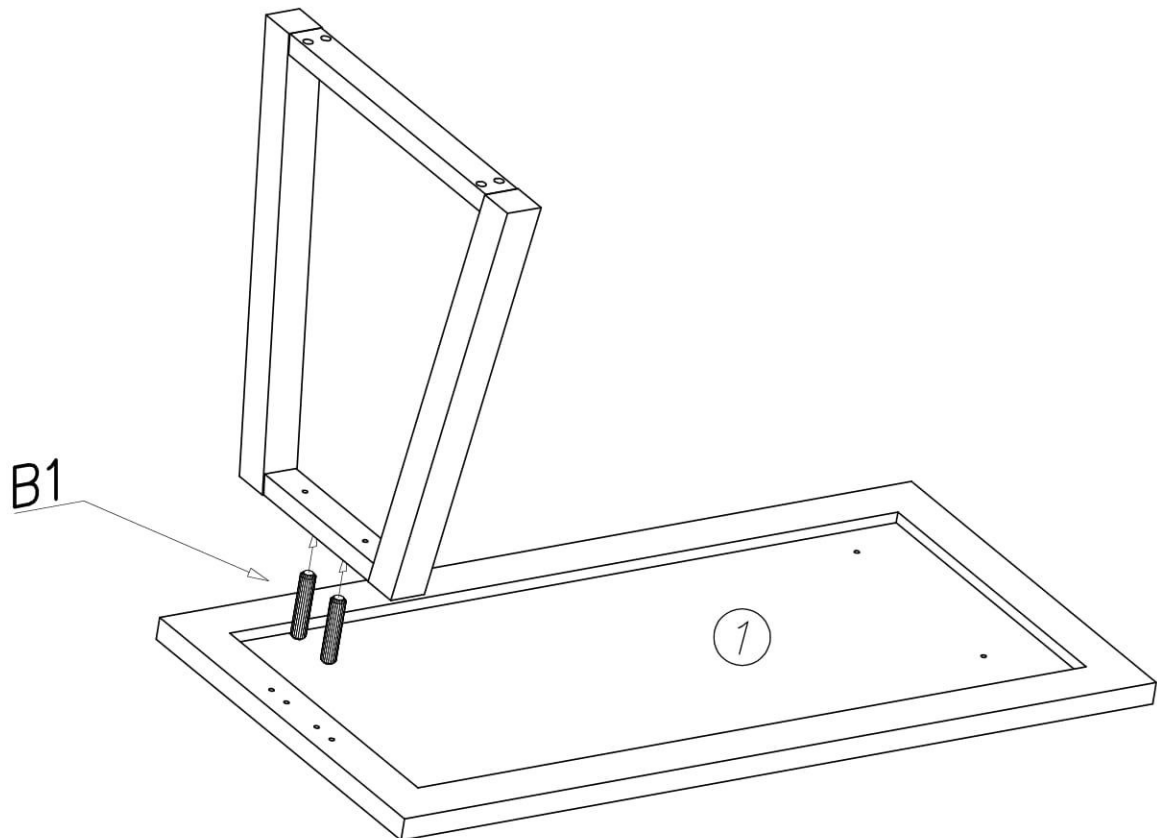
5



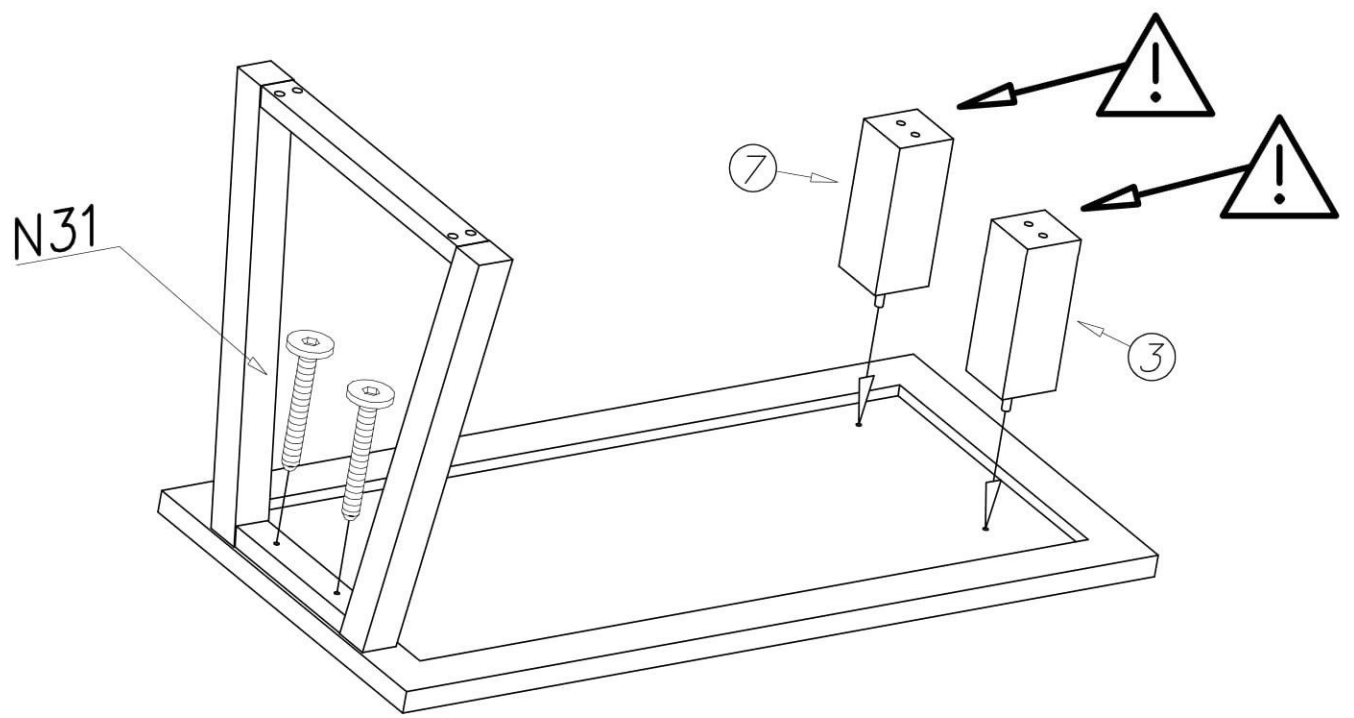
6



7



8



9

