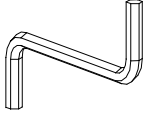
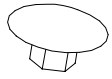
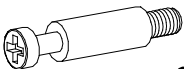

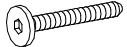




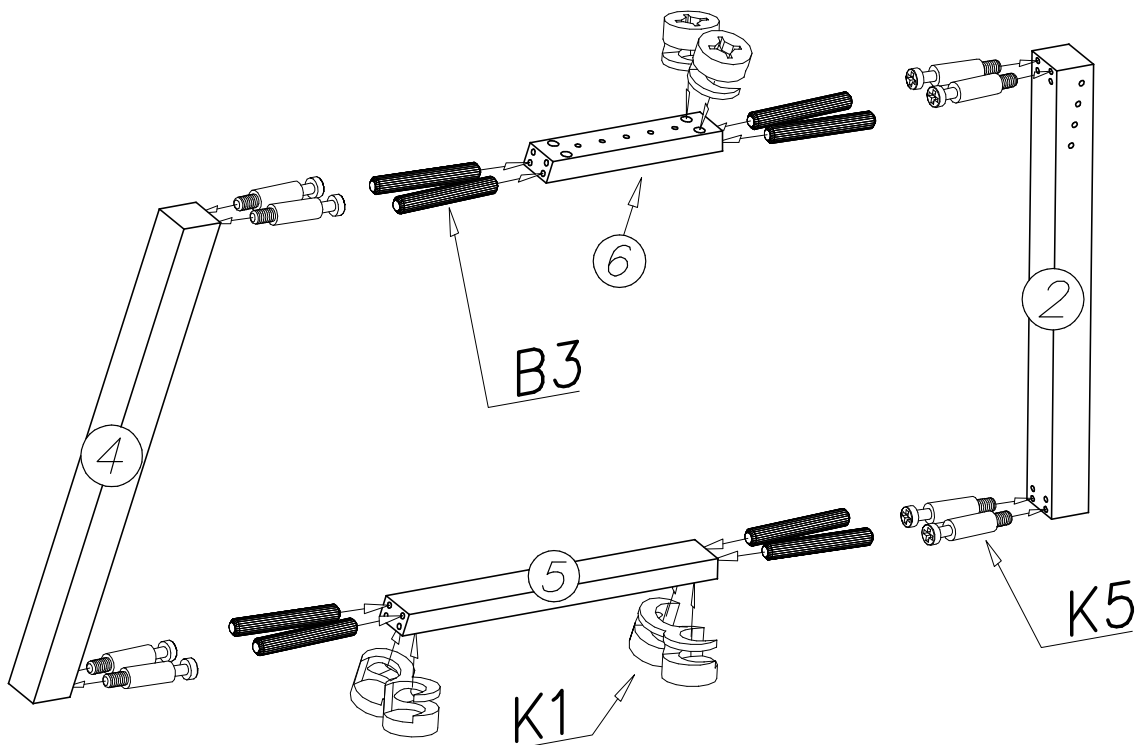
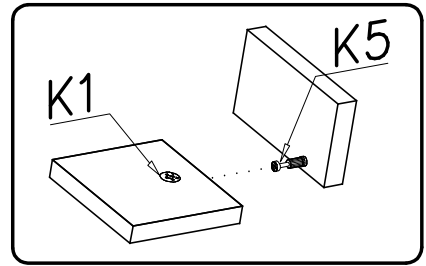
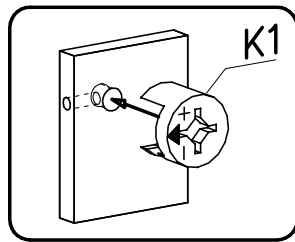
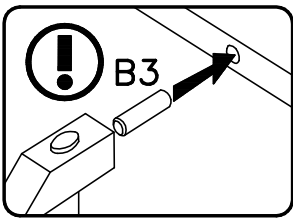
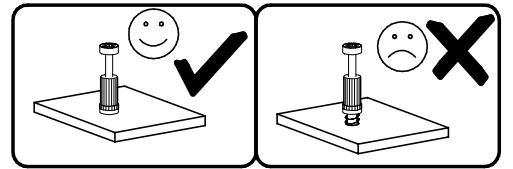
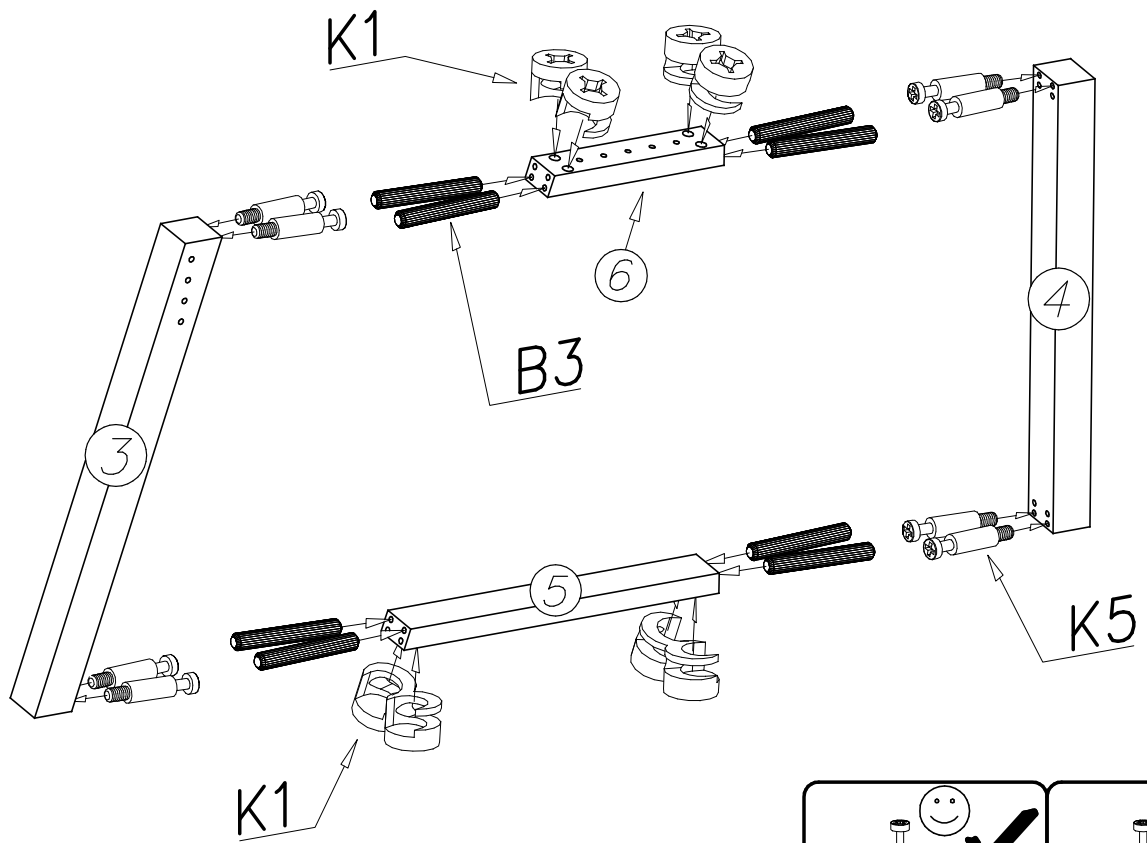
W2  x1	I7a  ø18 x7
K5  x23	K1  ø15x12 x23

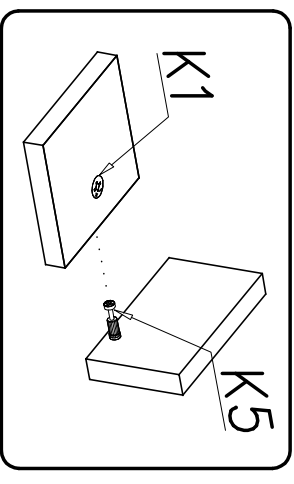
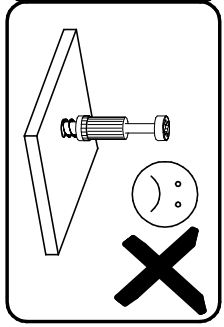
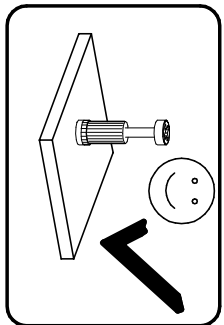
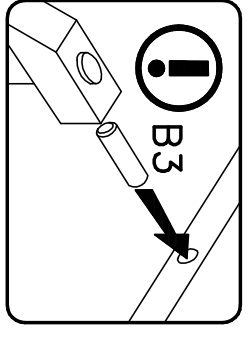
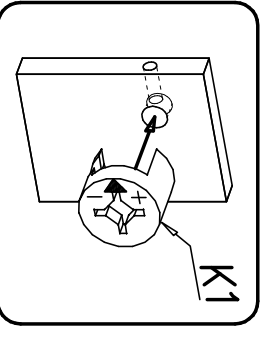
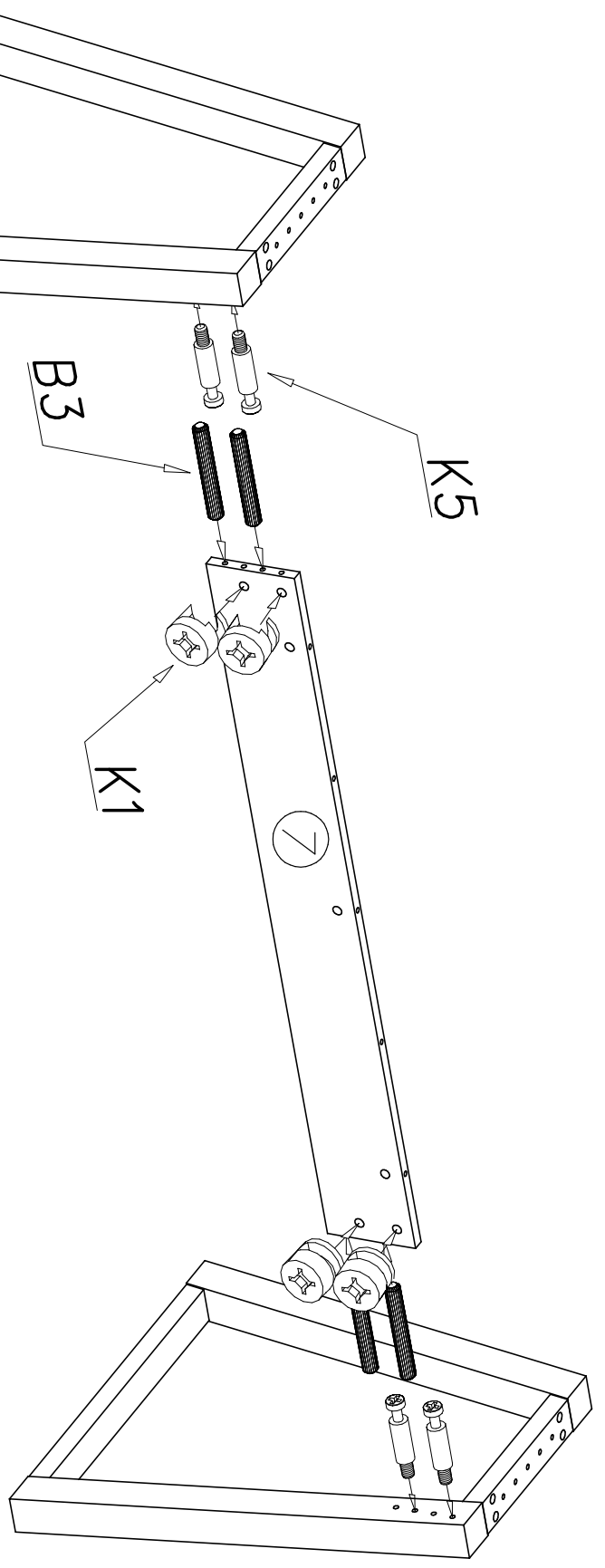
N31  M8x50 x6
---

B3  ø8x50 x20
---

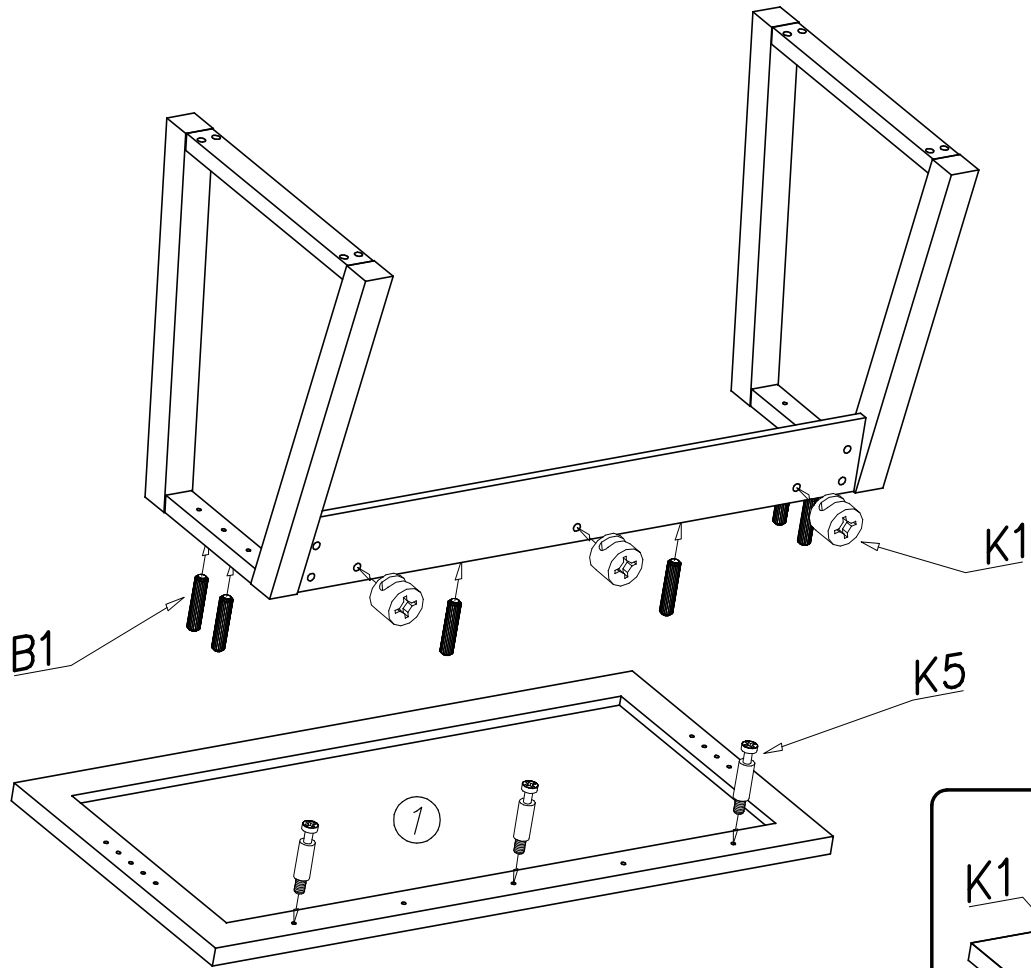
B1  ø8x35 x6
--

1





III



IV

