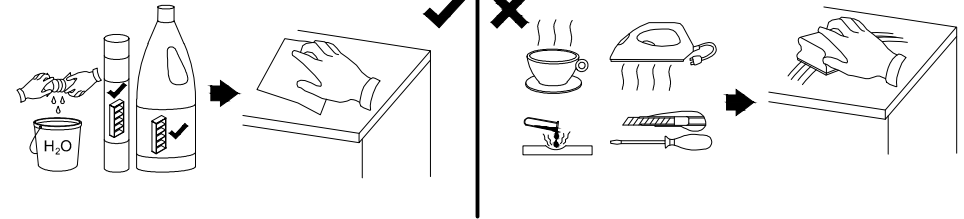
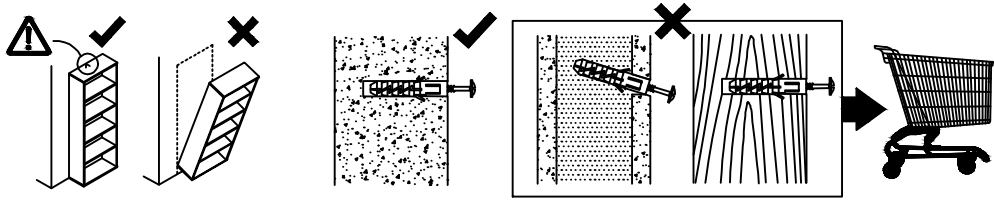
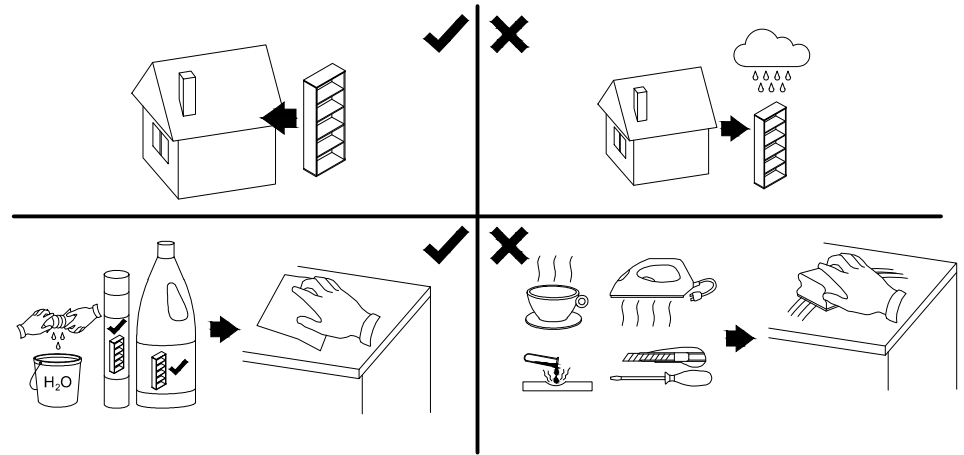
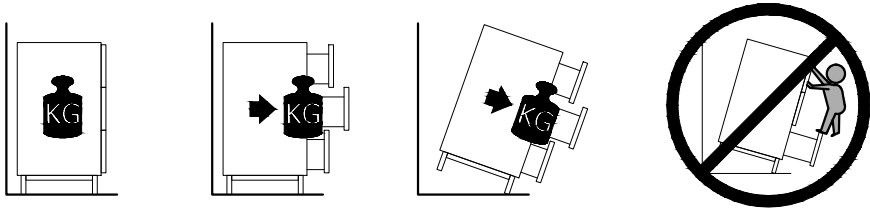
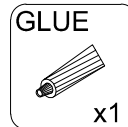
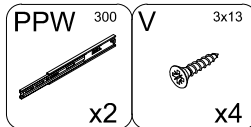
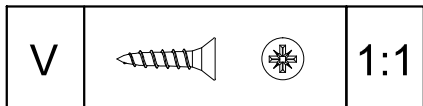
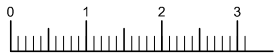
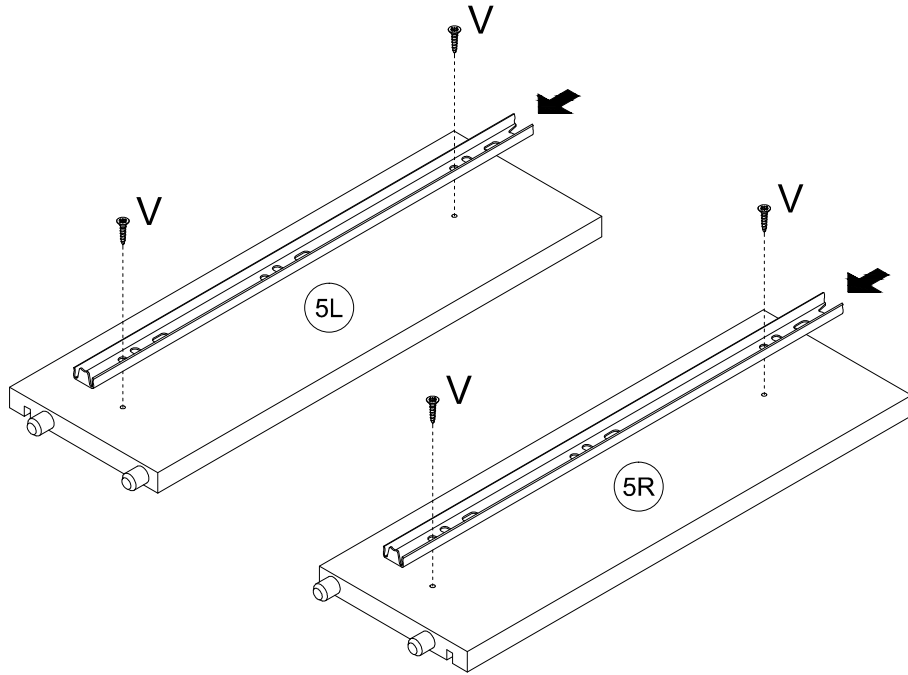
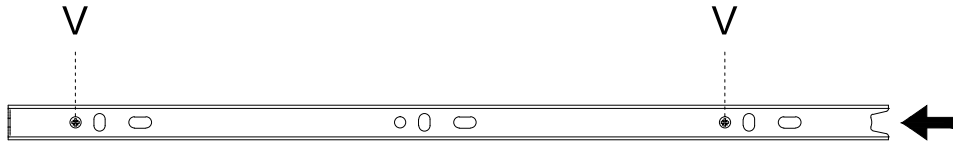
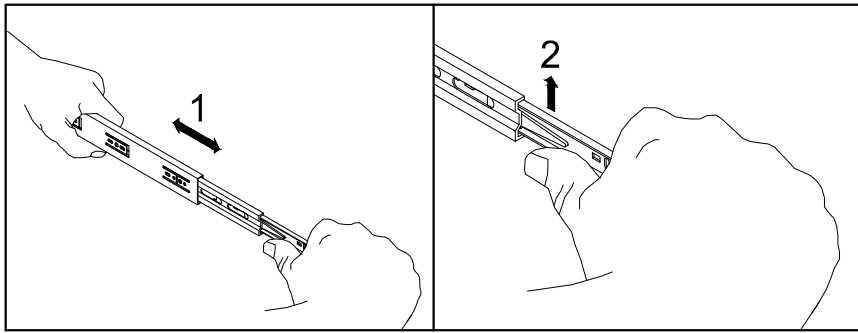


A	8x32	B	x20	C	x20	GLUE	x1	M4	4x22	x3
N	3x20	ND	3,5x16	NE	4x16	PPW	300	R4	x3	
TA	x1	W+H2	x4	V	3x13	X	x12	ZK	x16	

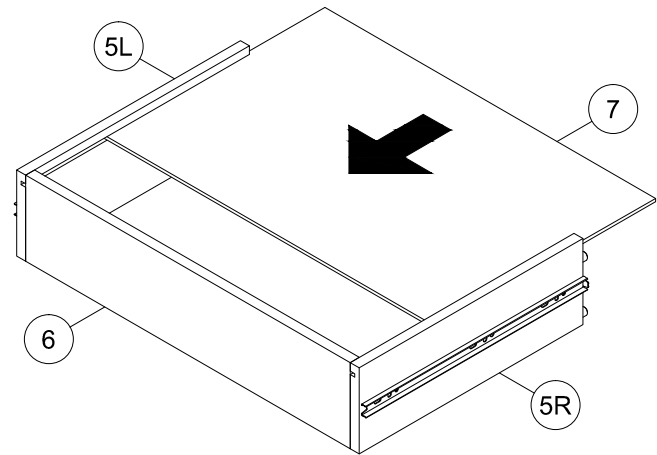
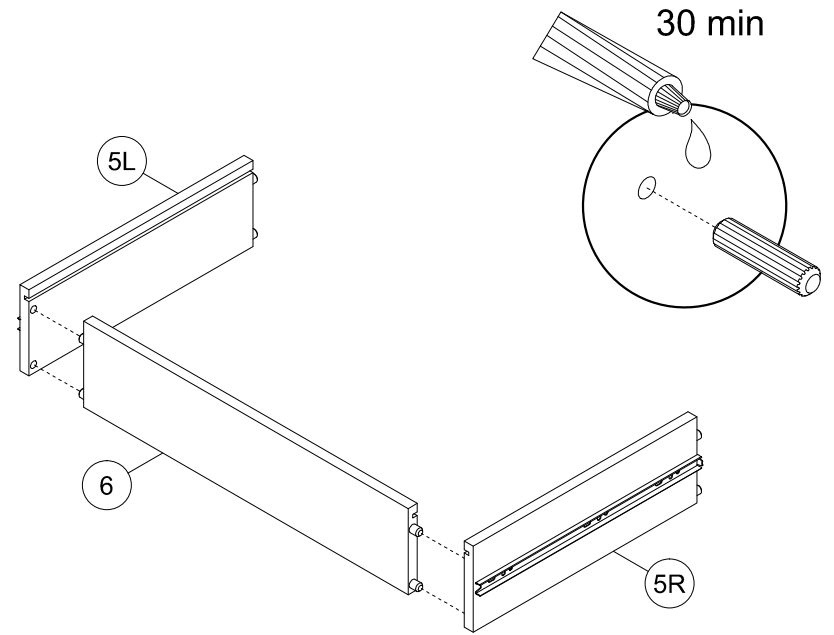
1	1534	390	16	x2	2 / 2
2	330	390	16	x2	2 / 2
3L	330	341	16	x1	2 / 2
3R	330	341	16	x1	2 / 2
4	483	341	16	x1	2 / 2
5L	300	100	12	x1	2 / 2
5R	300	100	12	x1	2 / 2
6	435	100	12	x1	2 / 2
7	444	298	2.5	x1	2 / 2
8	496	324	16	x2	2 / 2
9	496	165	16	x1	2 / 2
10	510	342	2.5	x2	2 / 2



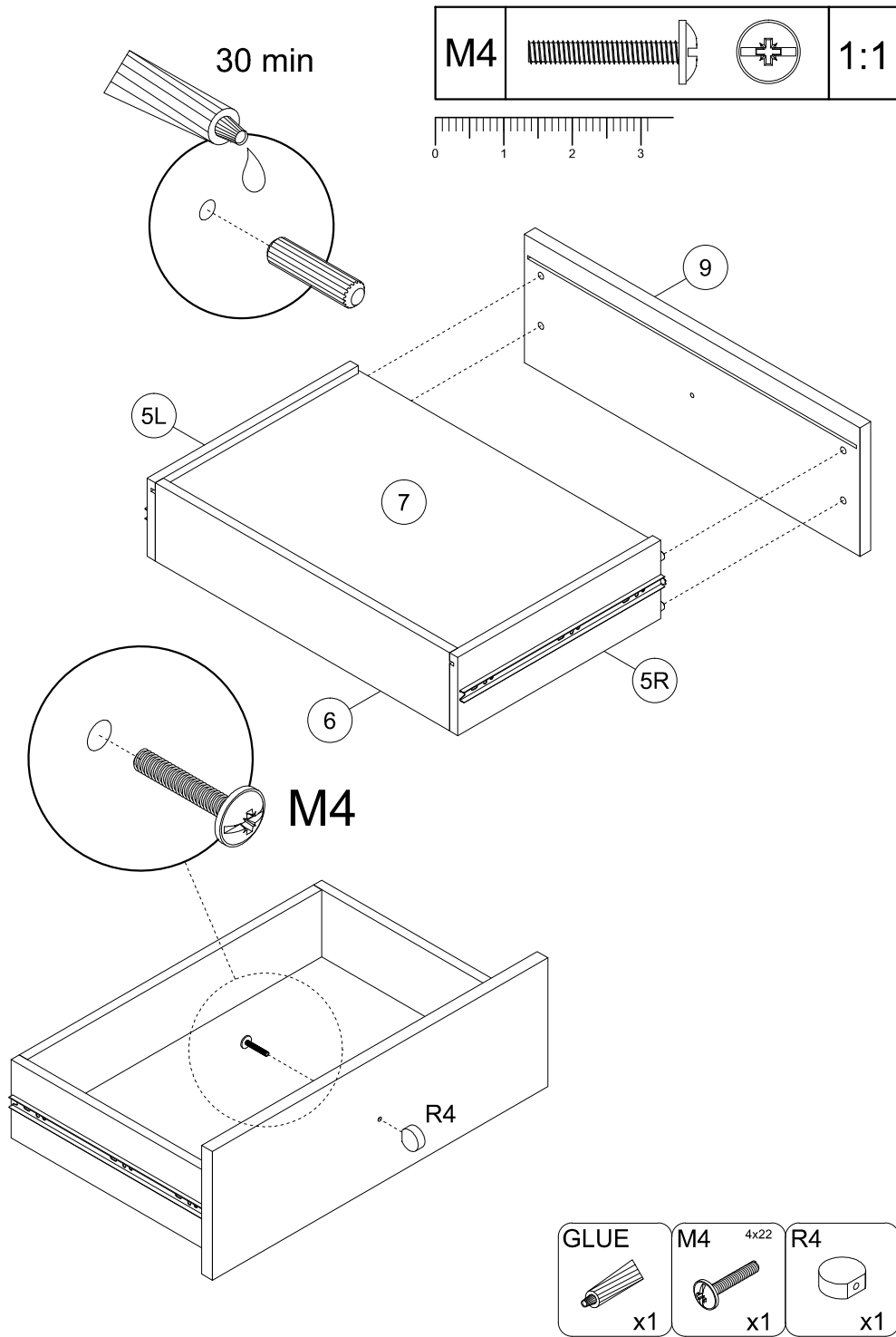
1



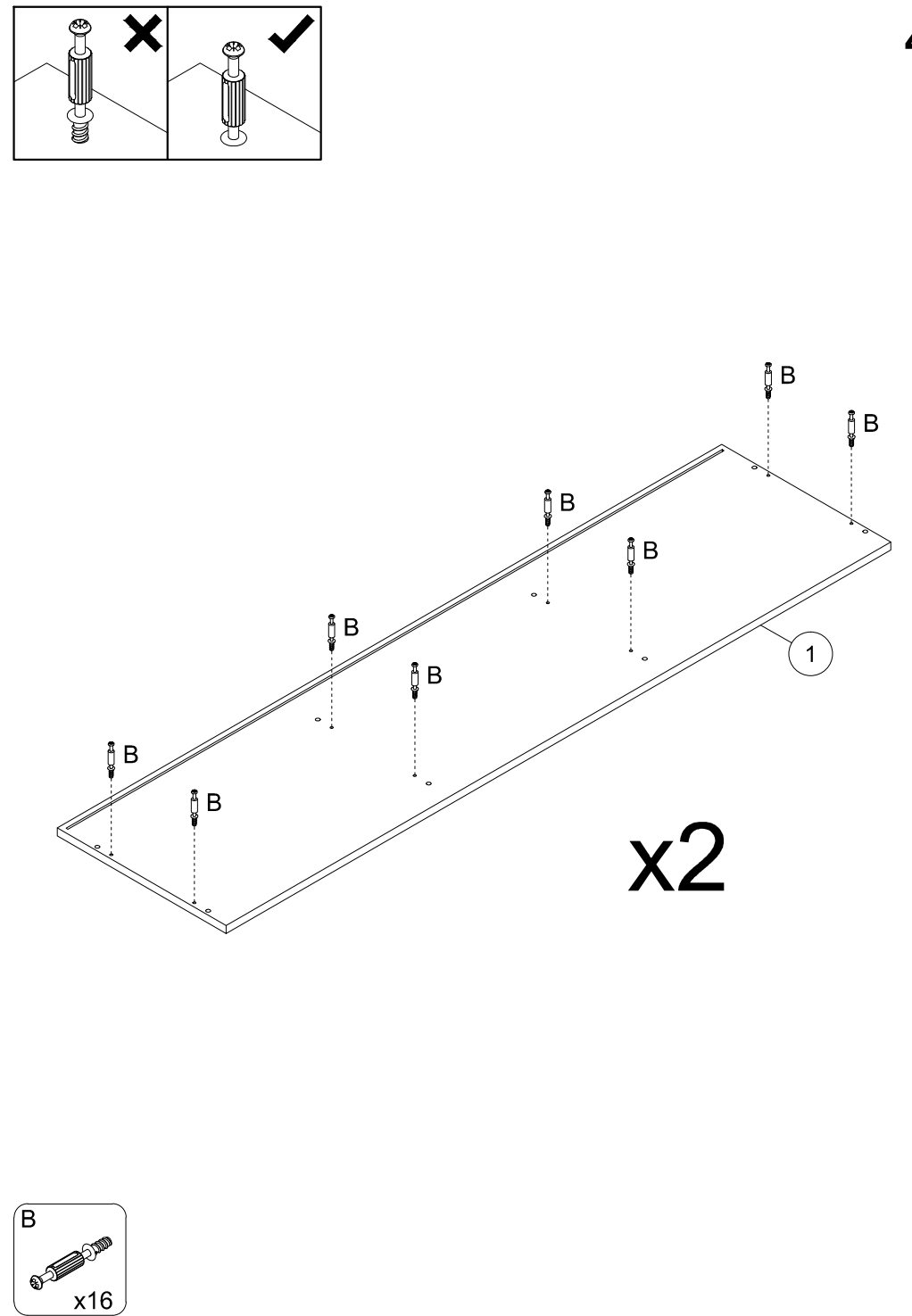
2



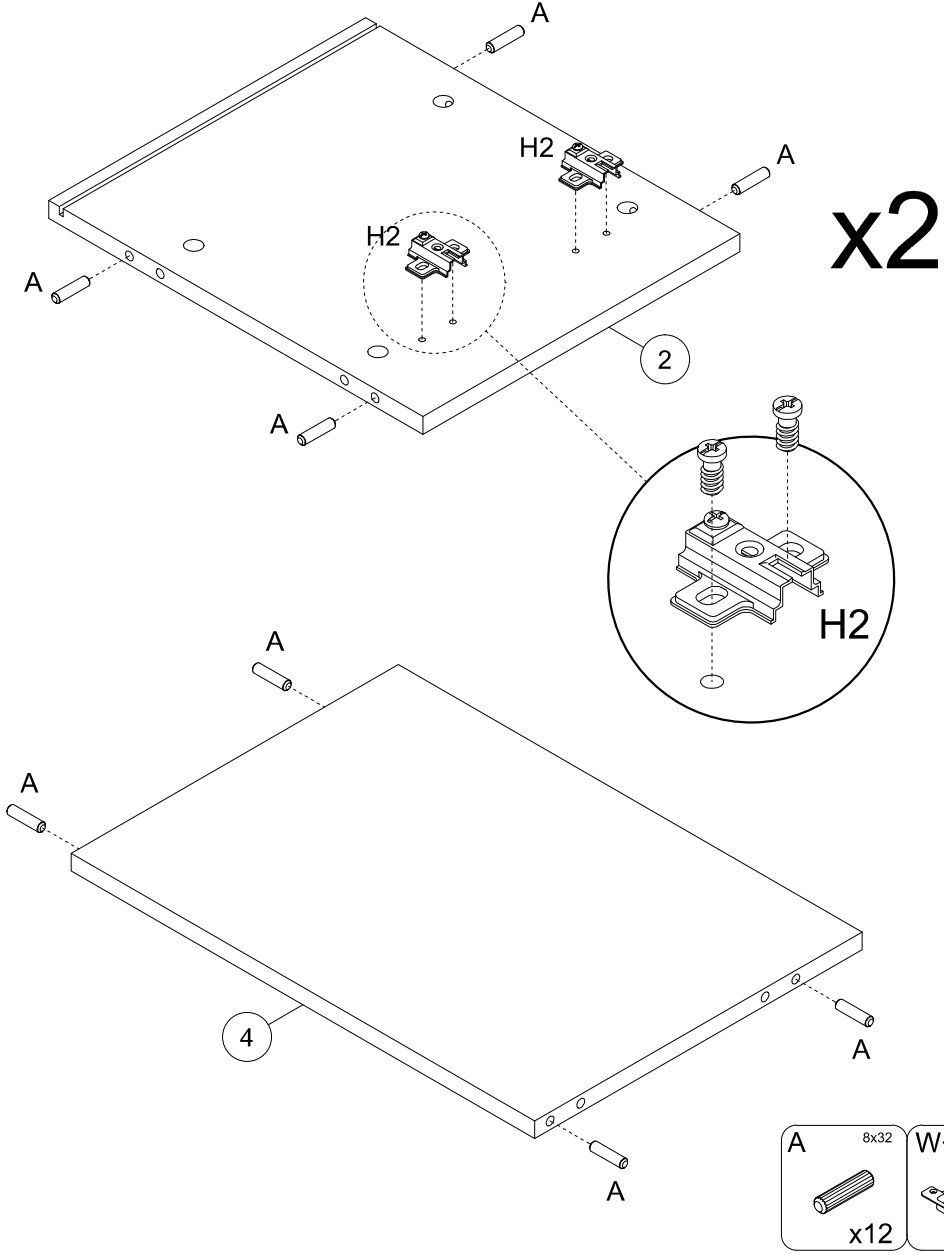
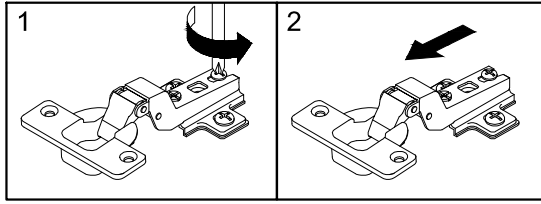
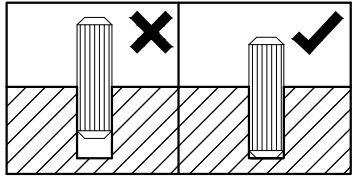
3



4

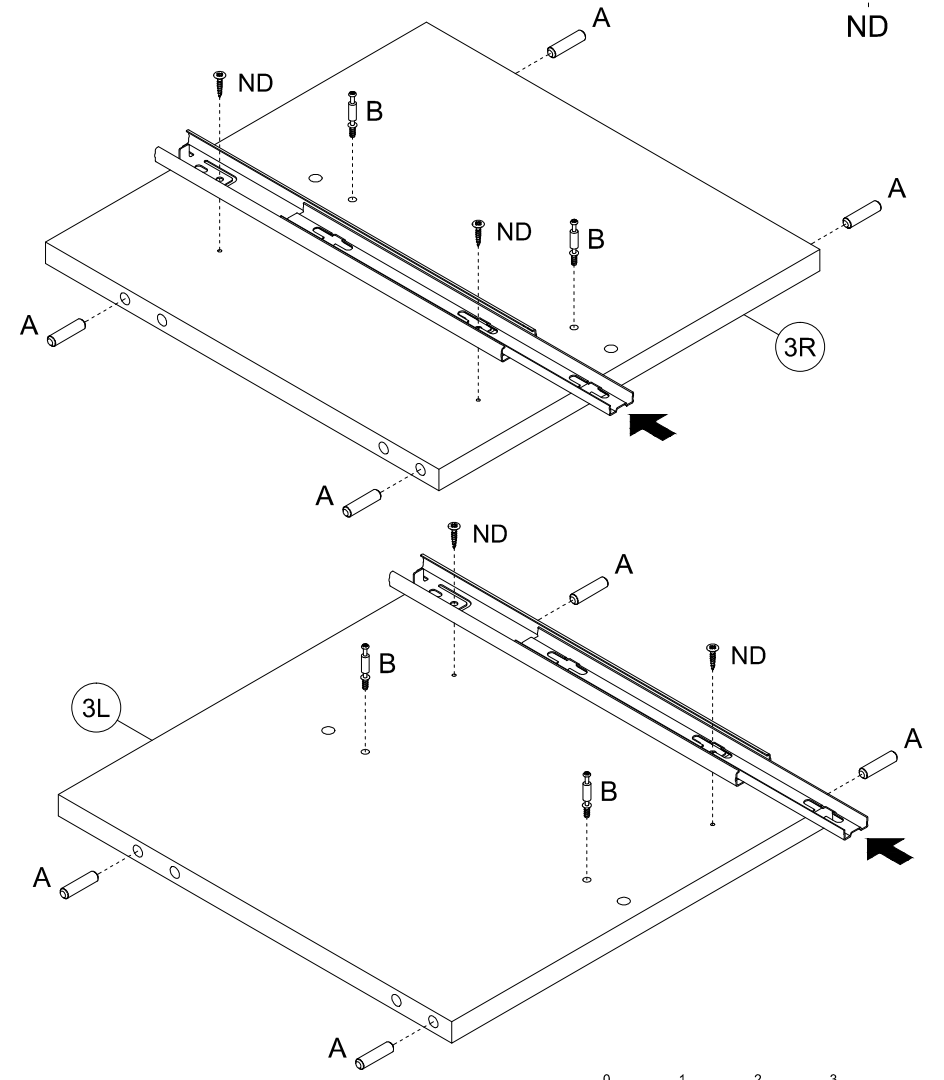
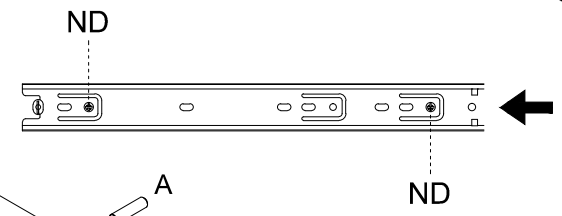
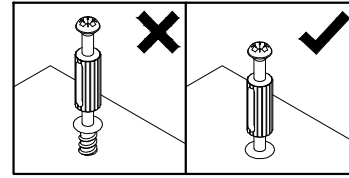


5



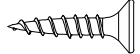

A	8x32	W+H2
	x12	
		x4

6

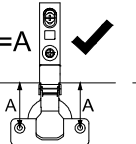
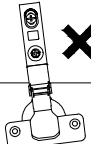


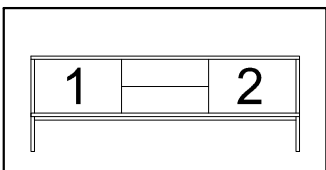
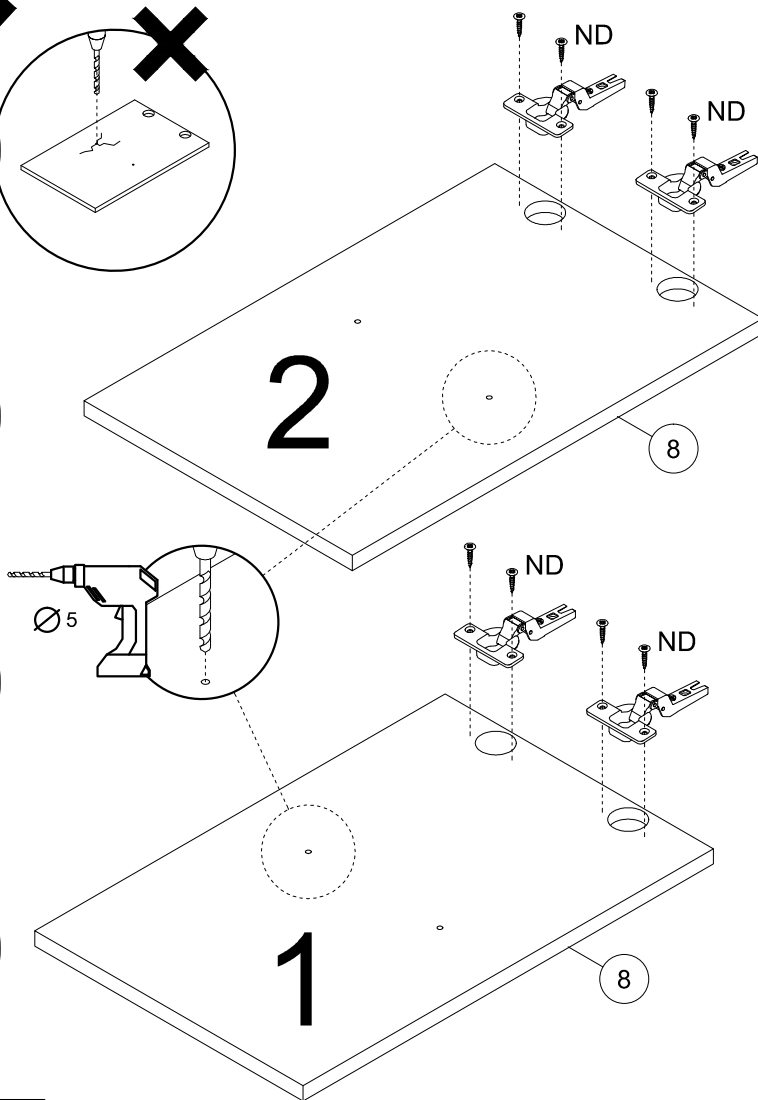
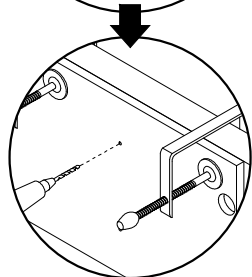
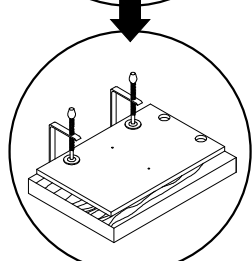
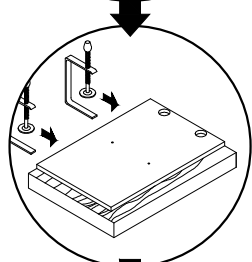
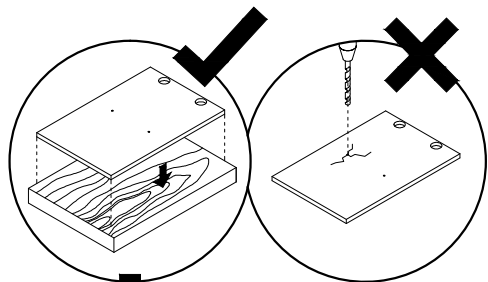
A	8x32	B	ND	3,5x16	PPW	300
	x8			x4		x2



ND			1:1
----	--	--	-----

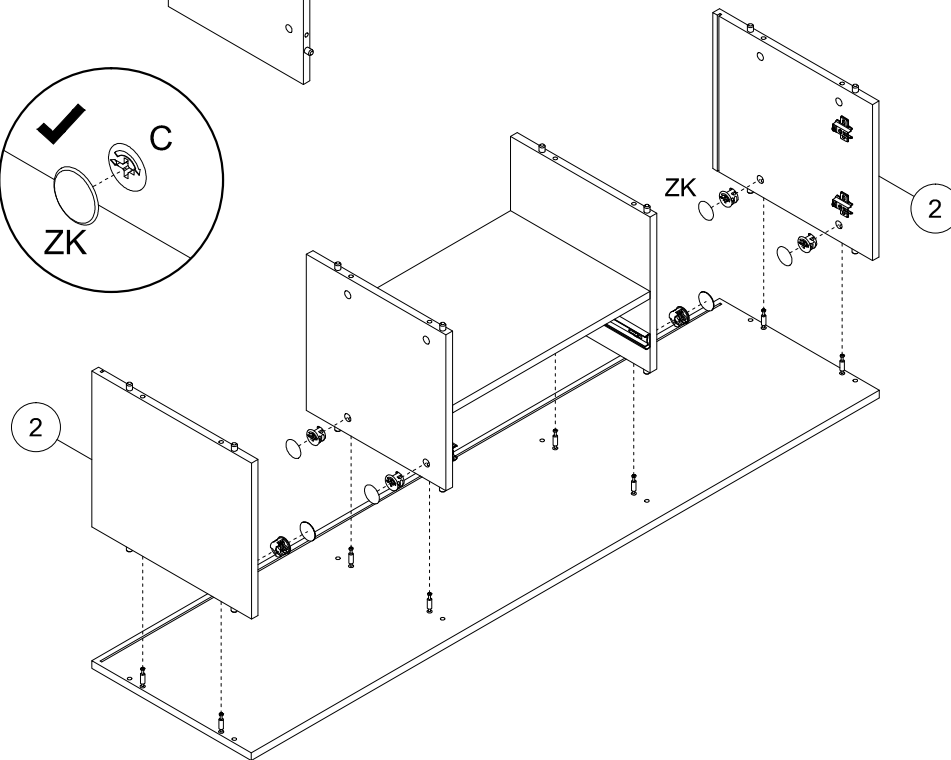
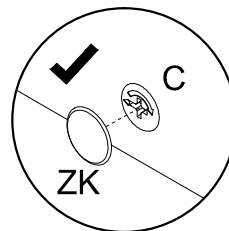
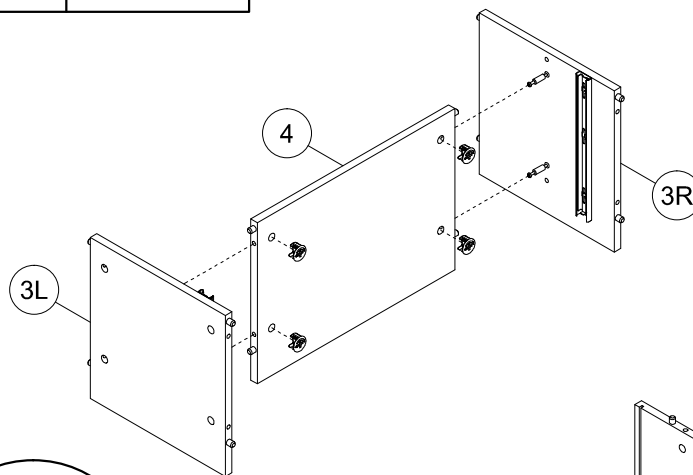
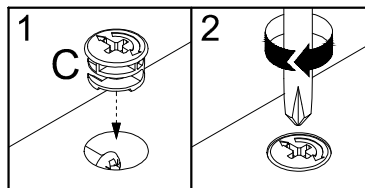
ND			1:1
----	--	--	-----





A=A		
-----	--	---

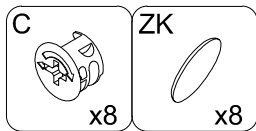
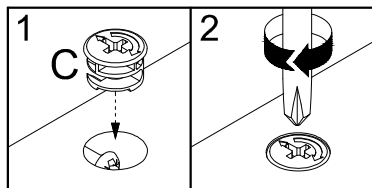
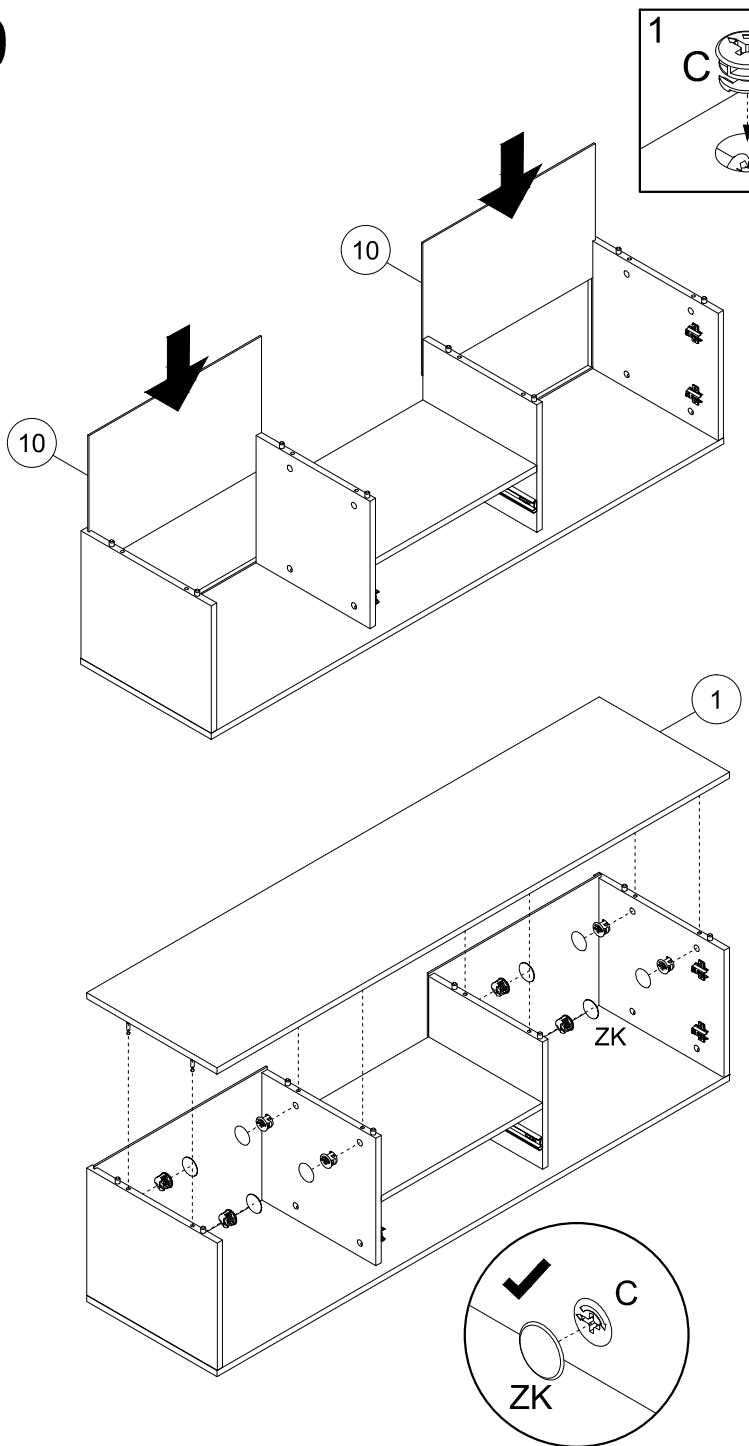


W+H2	ND 3.5x16
	
x4	x8

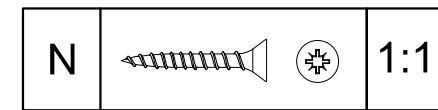
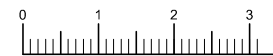
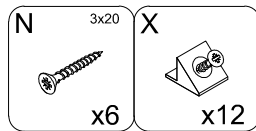
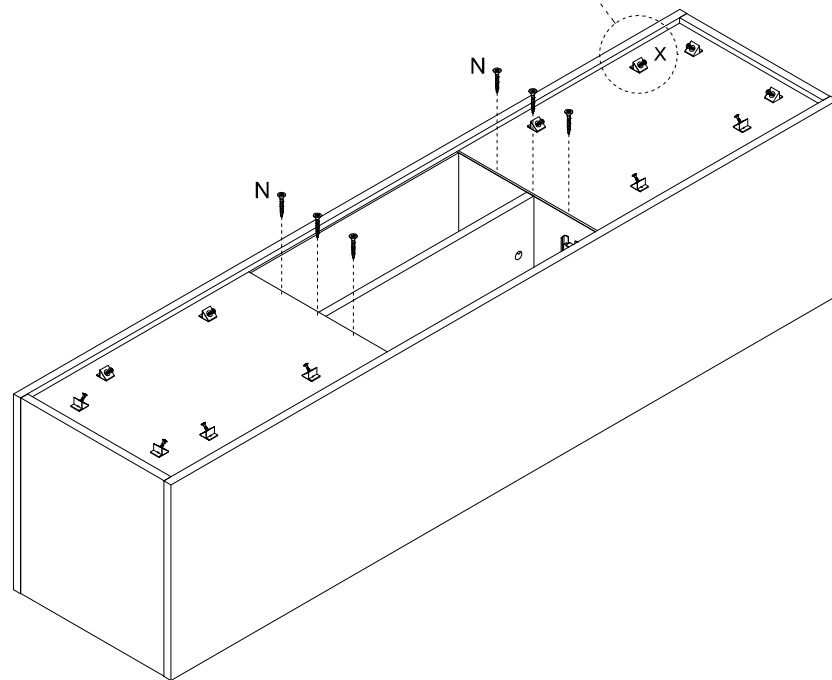
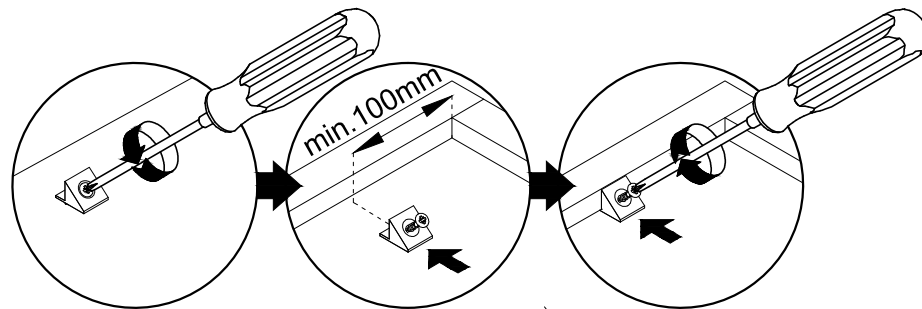
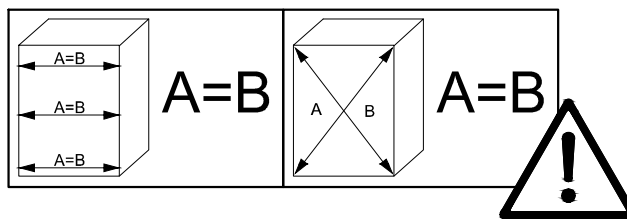


C	ZK
	
x12	x8

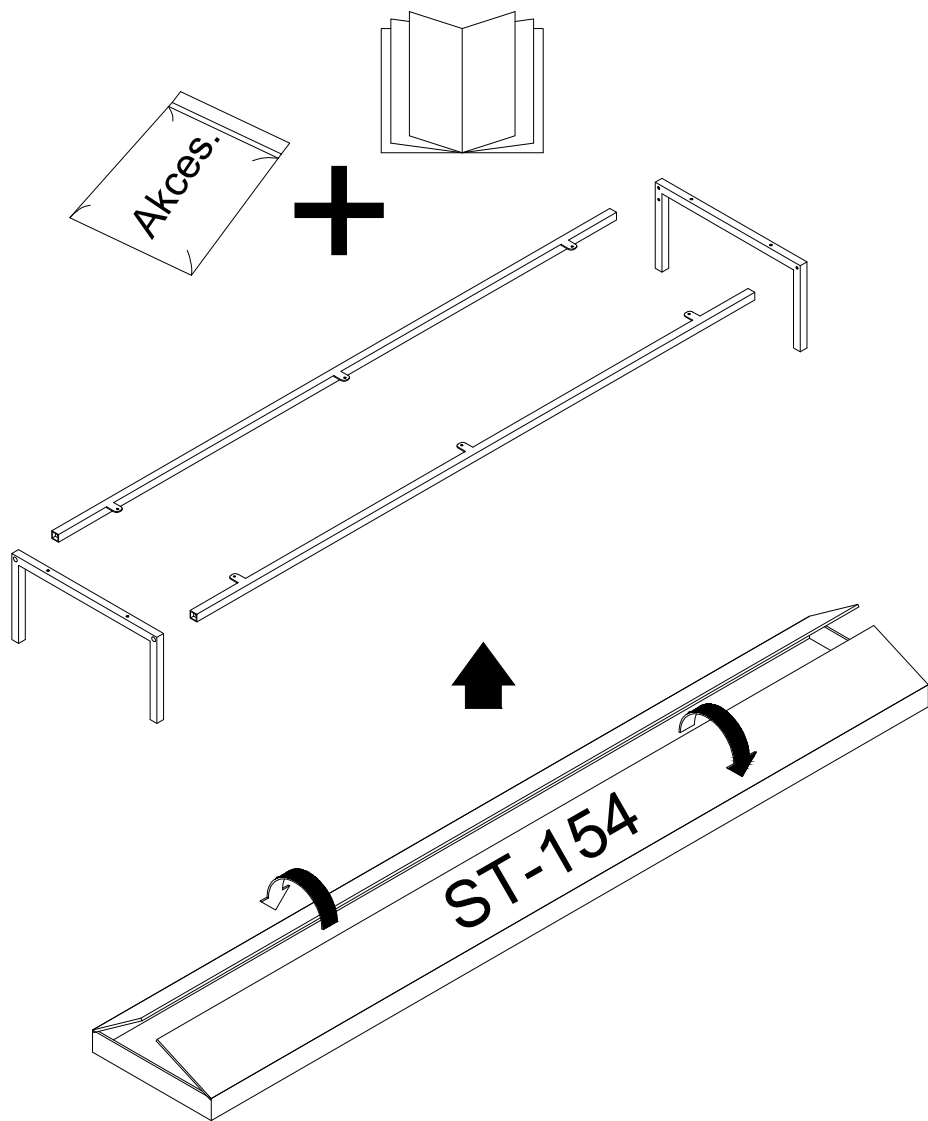
9



10



11



12

