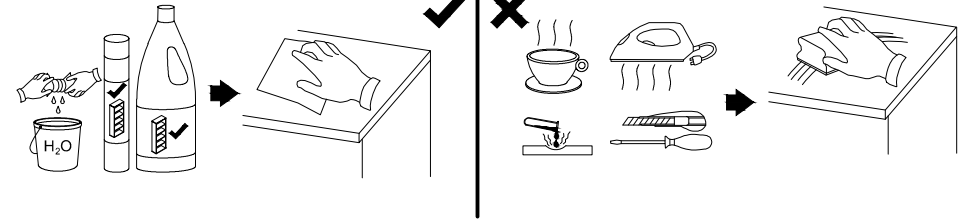
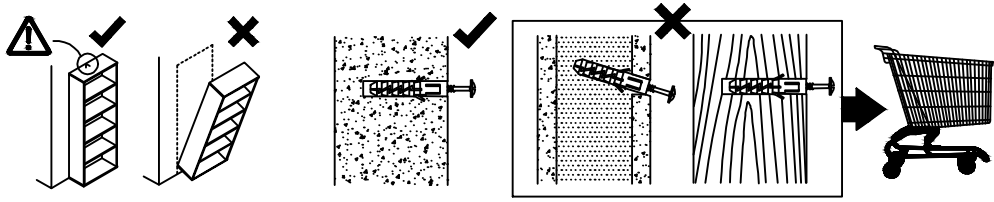
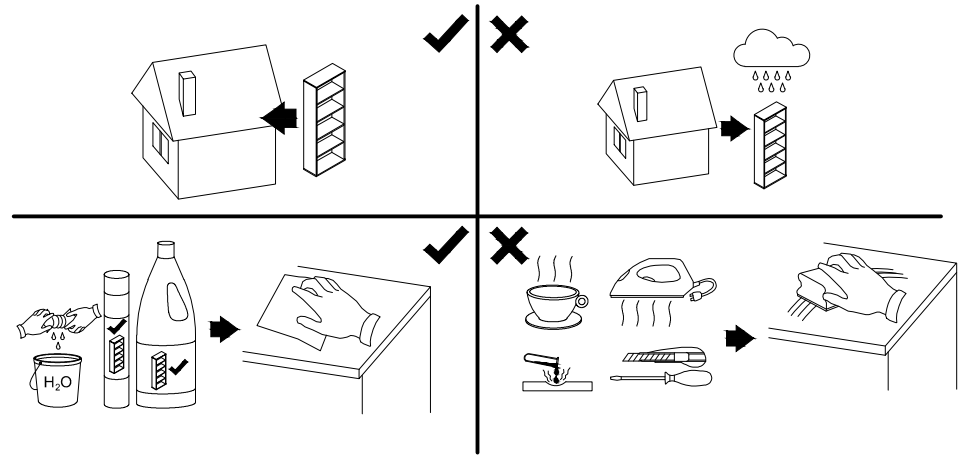
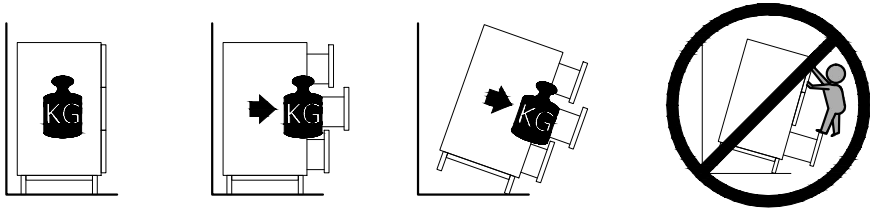
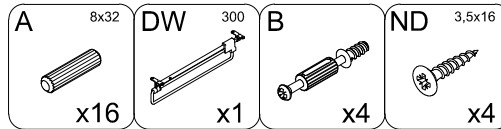
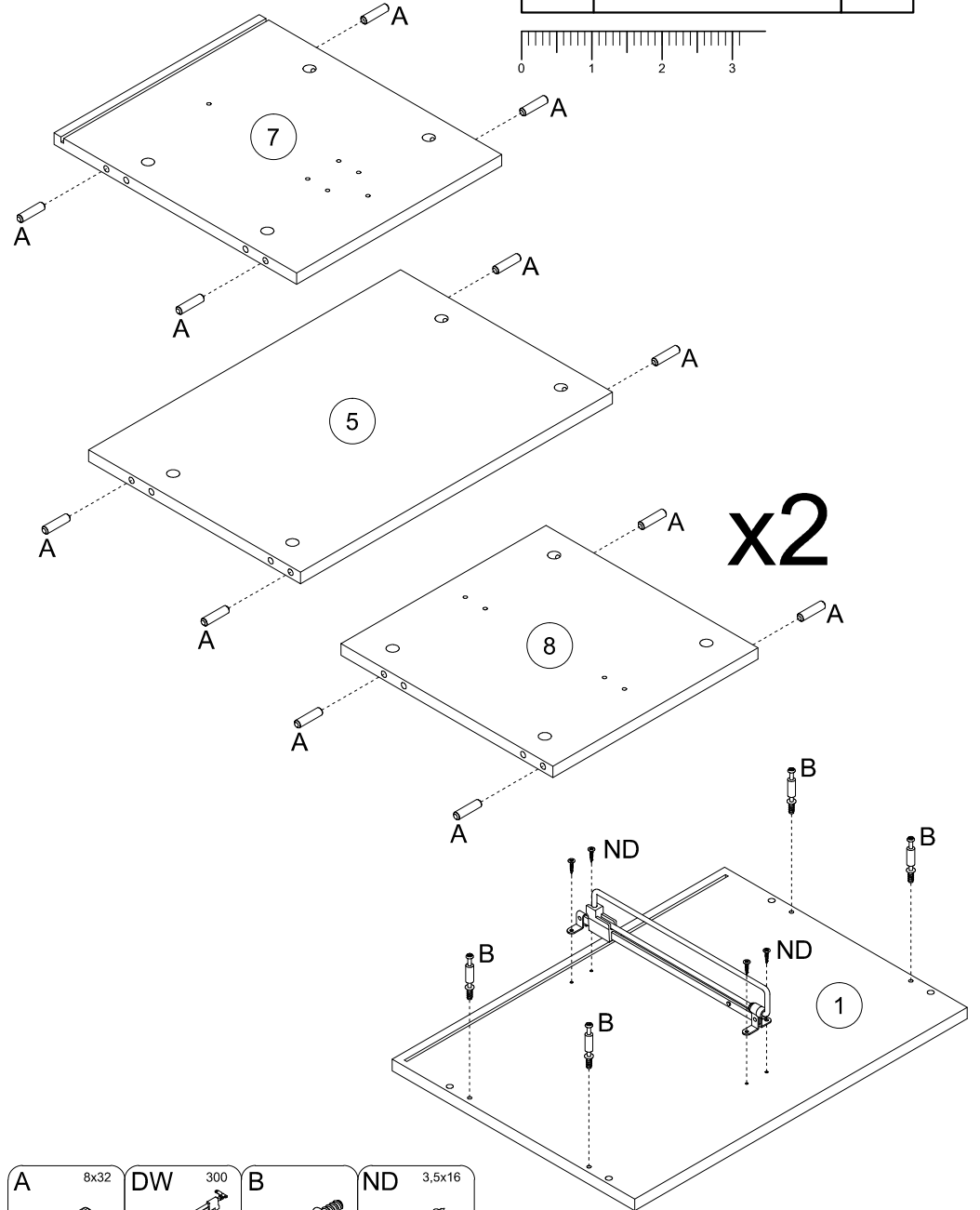
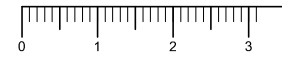
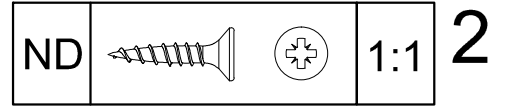
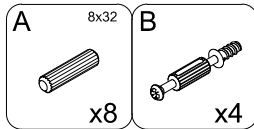
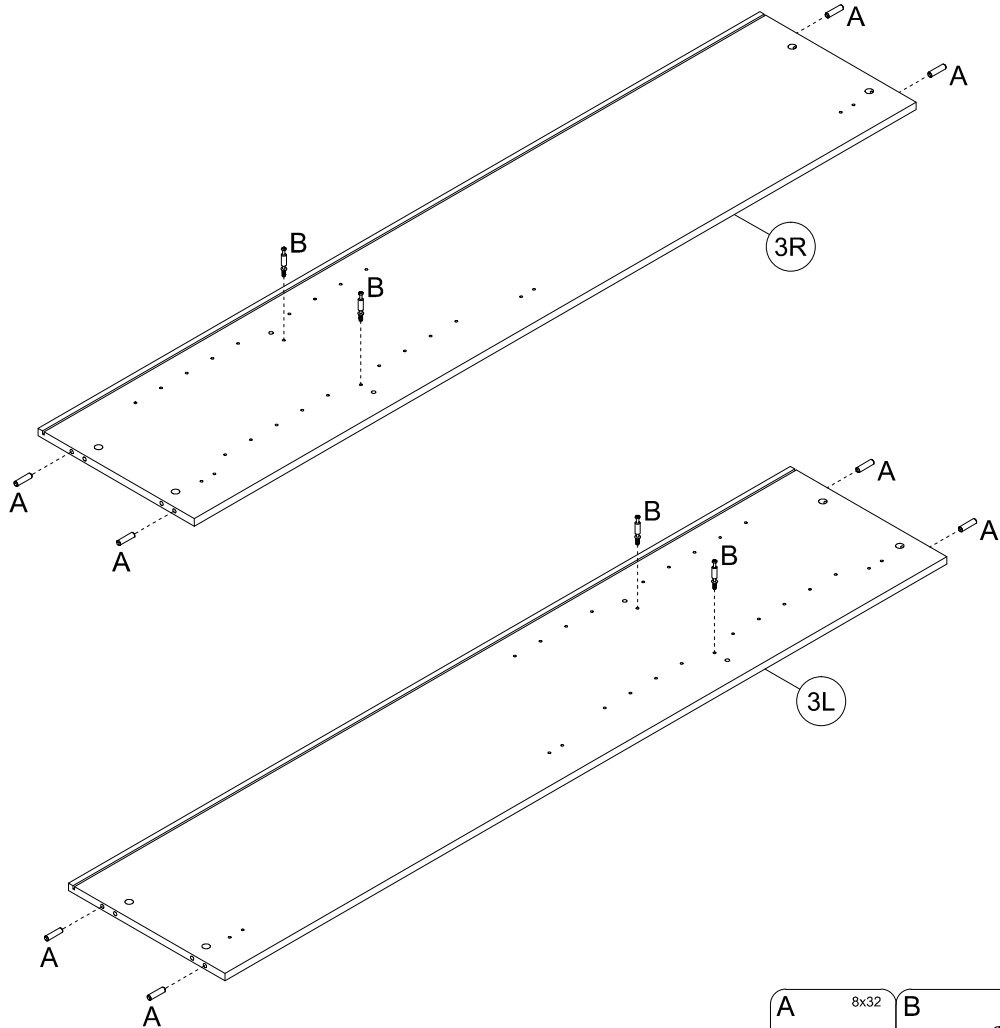
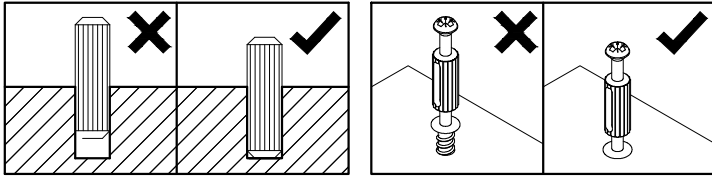


A 8x32 x24	B x24	BL x3	C x24	DL x1	DW 300 x1	HA x4
H2 x3	IMB x1	KG x1	K3 4x25 x6	M4 4x22 x2	N 3x20 x9	ND 3,5x16 x40
NR x2	XA x2	YD 6,4x60 x4	Z x20	ZZ x16	NF 4,5x16 x16	NS 3,5x13 x4
					R9 x1	TA x1
					W+H2 x5	W2 4x30 x2
					X x21	

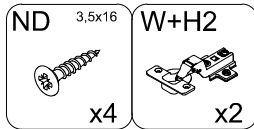
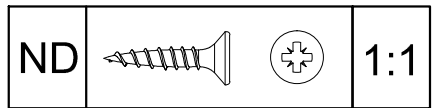
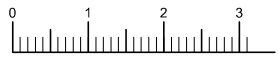
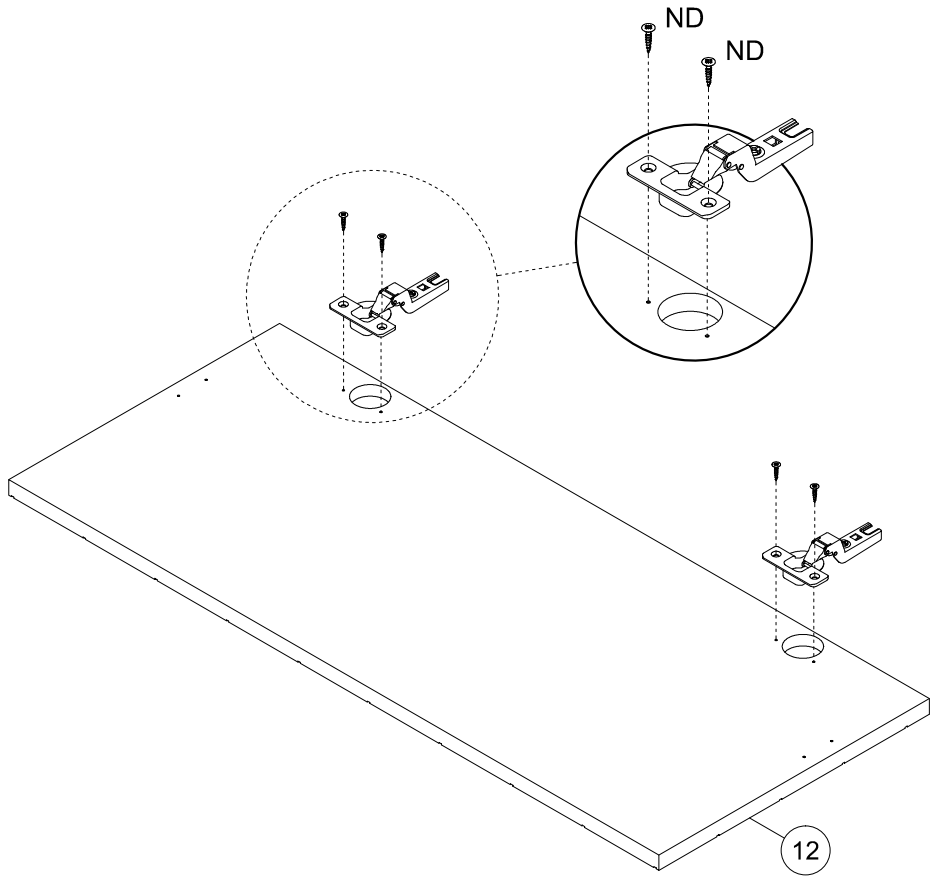
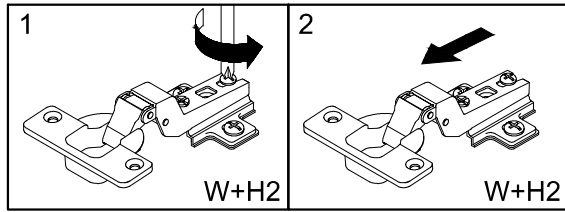
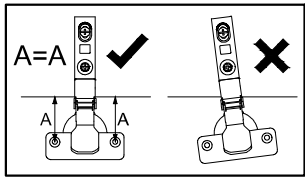
1	535	390	16	x1	2 / 3
2	1335	390	16	x1	3 / 3
3L	1800	390	16	x1	1 / 3
3R	1800	390	16	x1	1 / 3
4	502	335	16	x2	3 / 3
5	502	341	16	x1	2 / 3
6	800	390	16	x1	3 / 3
7	330	390	16	x1	3 / 3
8	330	341	16	x2	3 / 3
9	517	335	16	x1	3 / 3
10	233	335	16	x1	3 / 3
11	1794	496	16	x1	1 / 3
12	778	324	16	x1	3 / 3
13	1470	300	16	x1	2 / 3
14	1470	500	16	x1	2 / 3
15	800	250	16	x1	2 / 3
16	788	342	2.5	x2	3 / 3
17	514	1812	2.5	x1	1 / 3



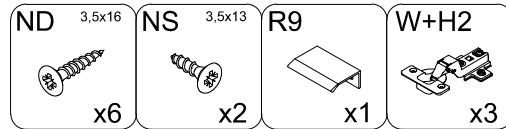
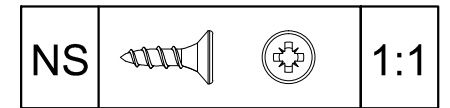
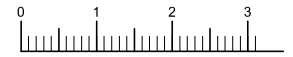
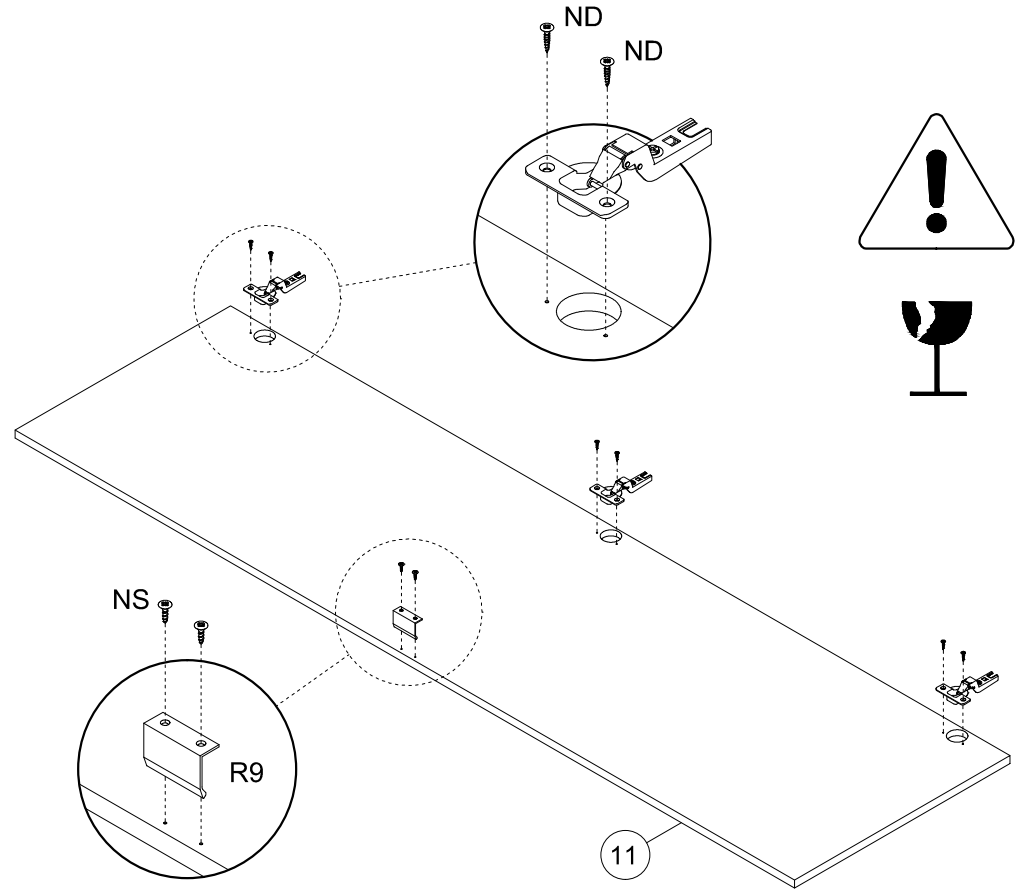
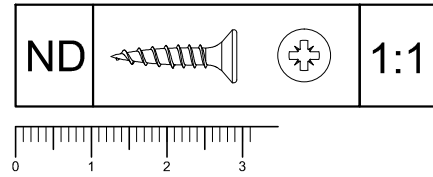
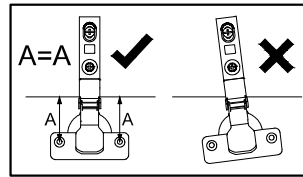
1



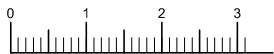
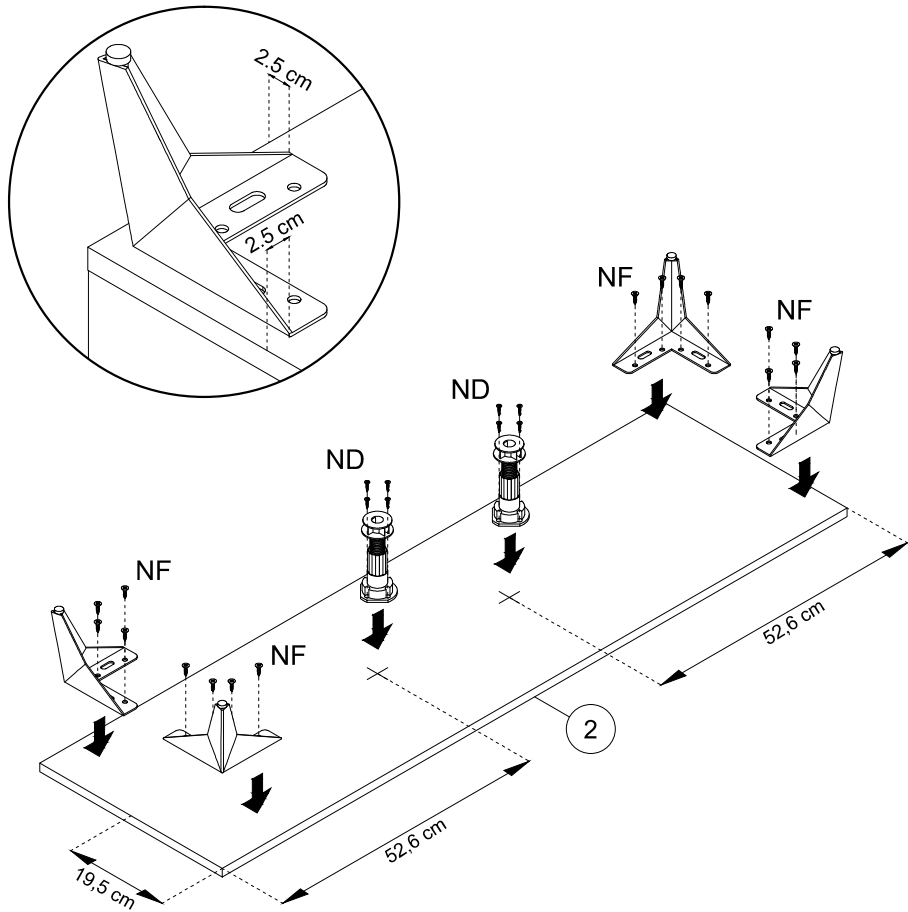
3



4



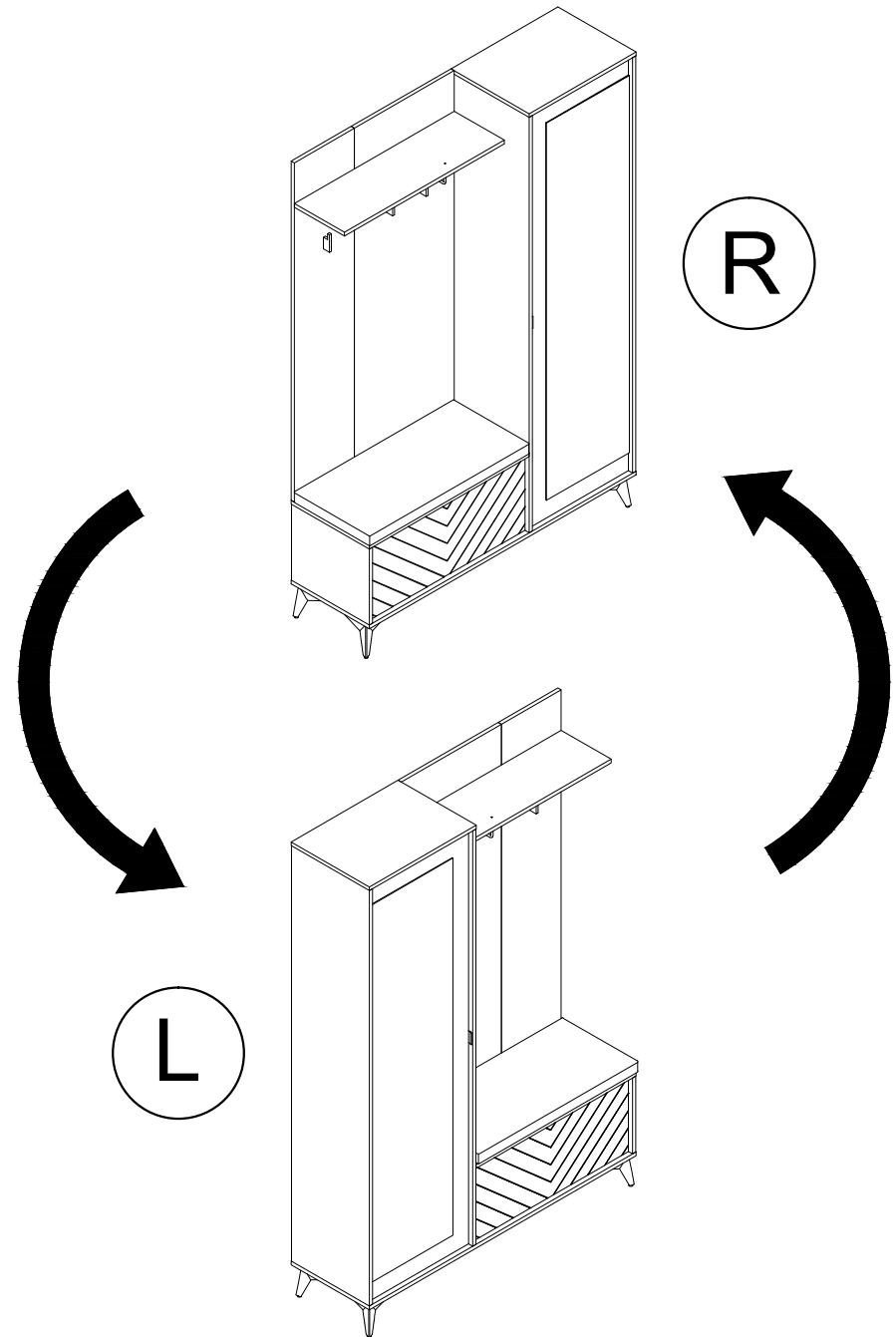
5

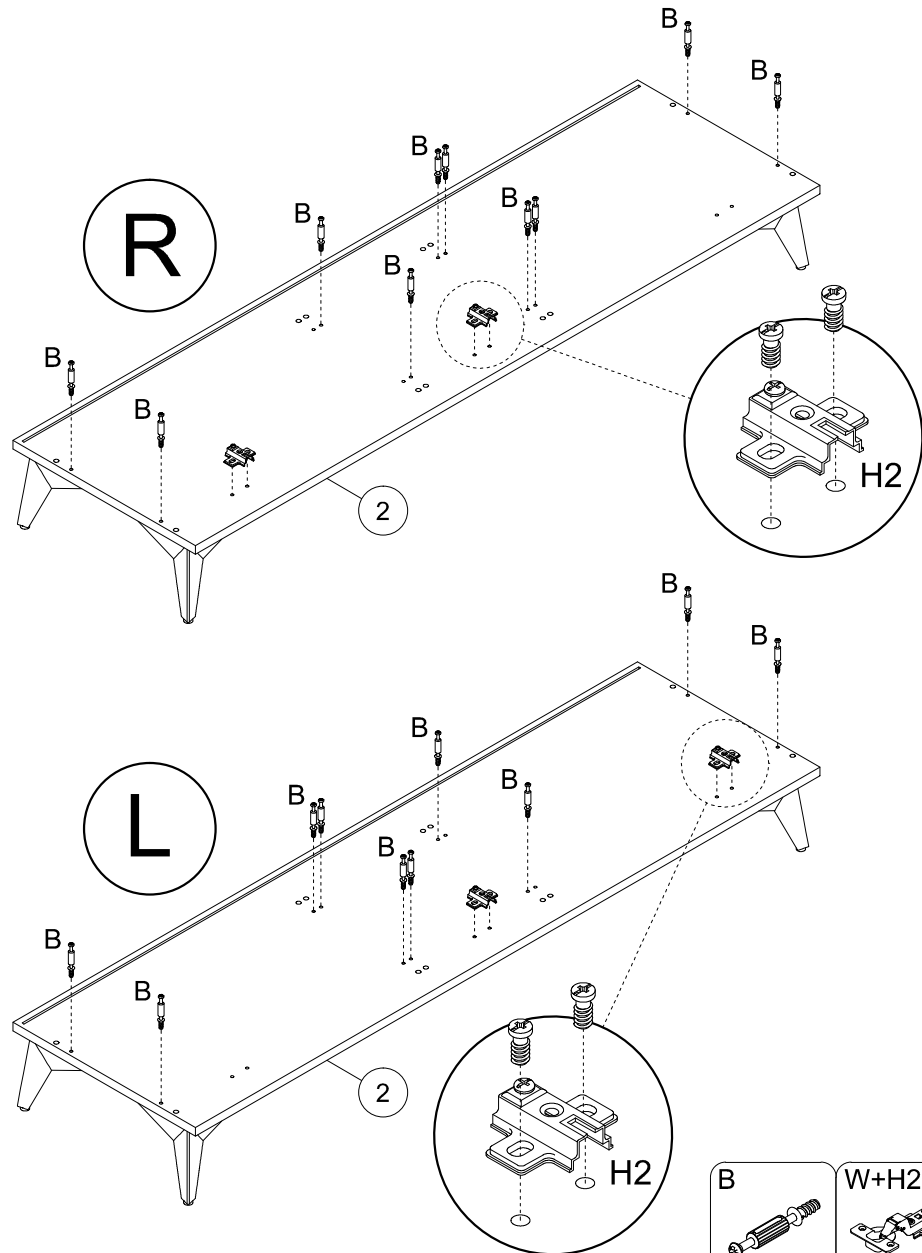
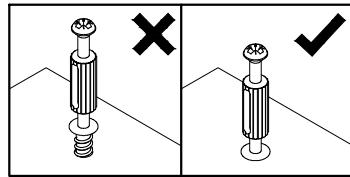


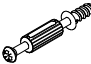
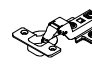
ND			1:1
----	--	--	-----

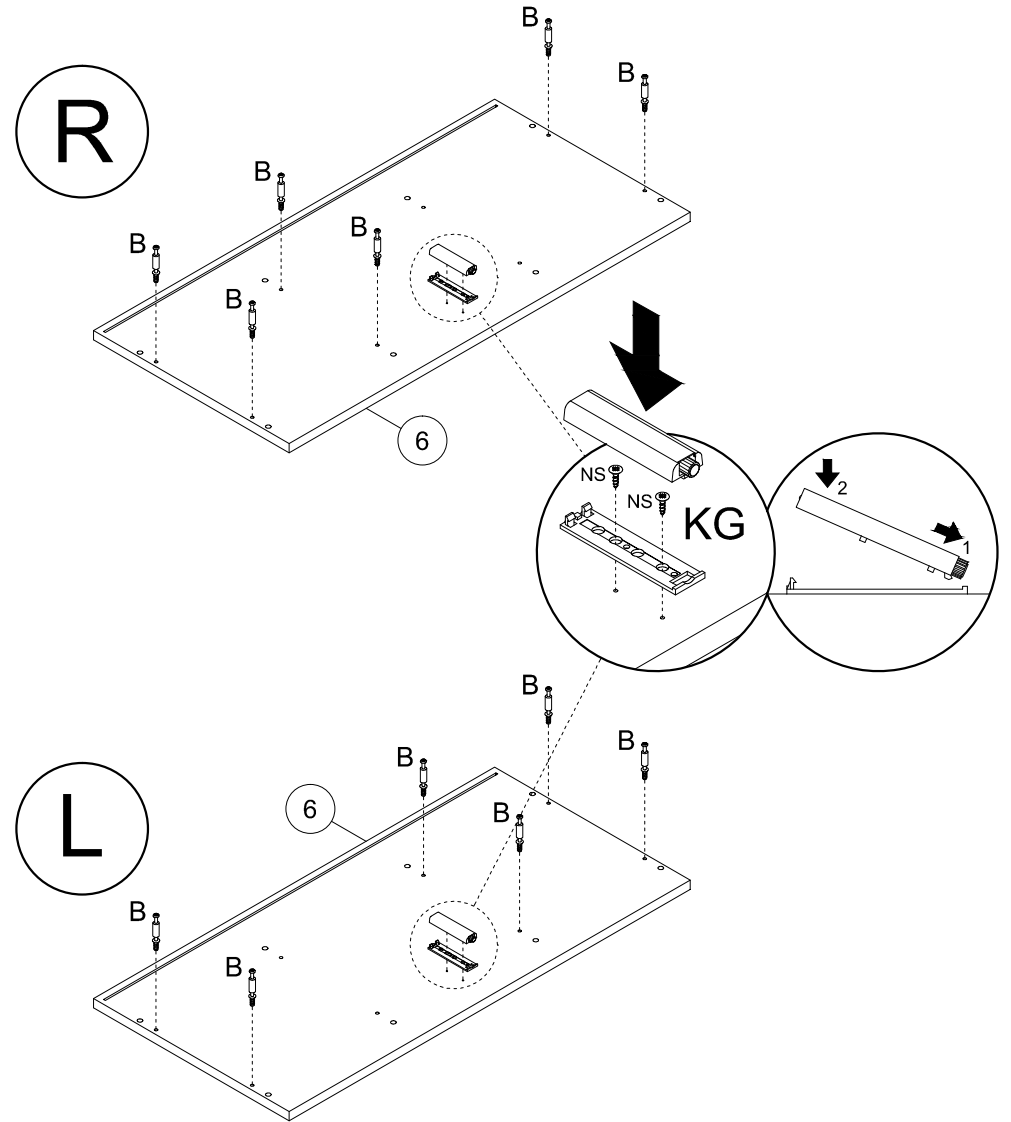
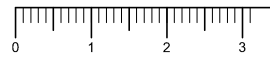
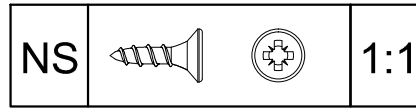
NF	1:1		
----	-----	--	--


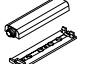

ND	3,5x16	NF	4,5x16	NR	
	x8		x16		x2



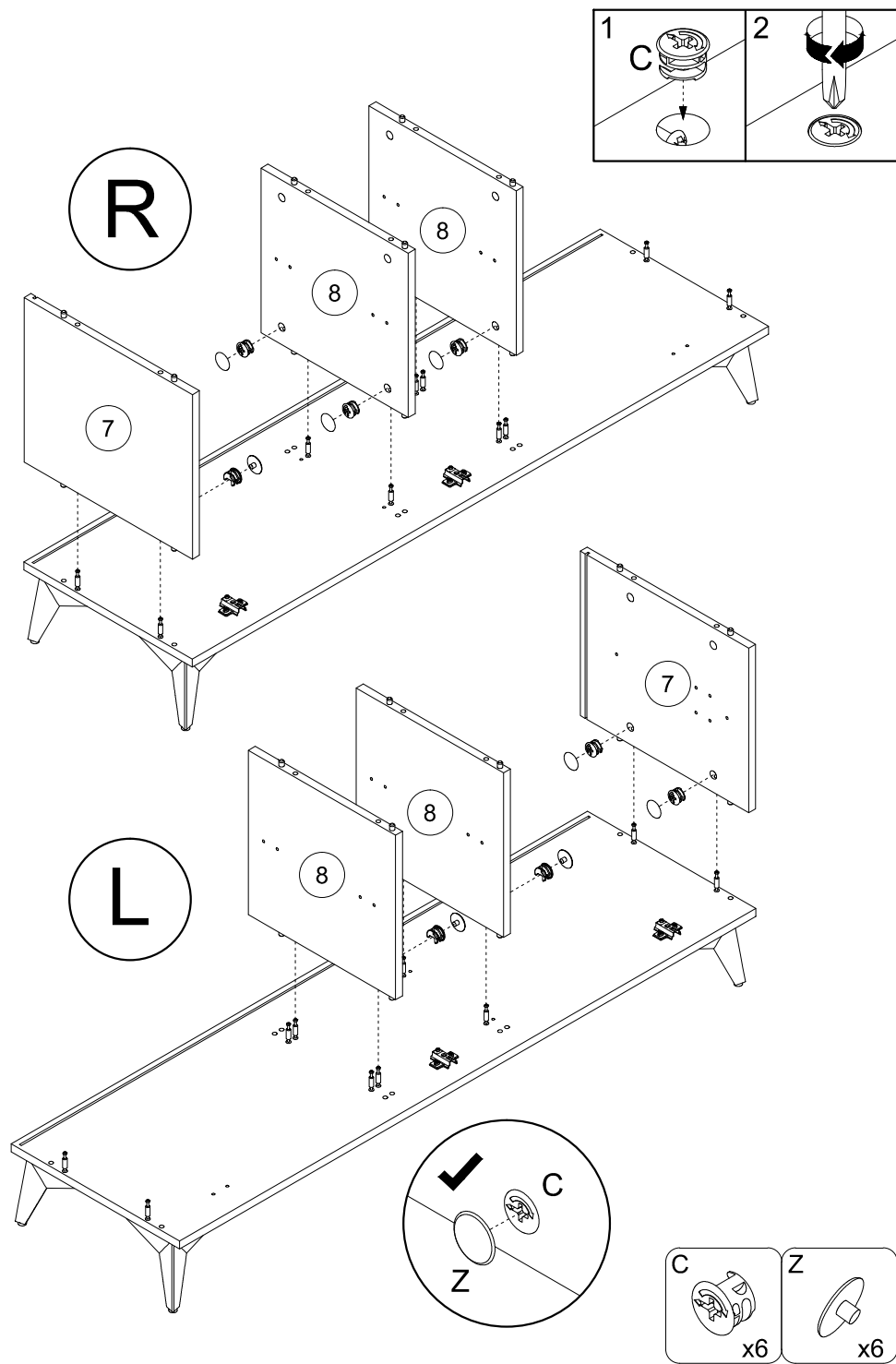


- B**

 x10
- W+H2**

 x2

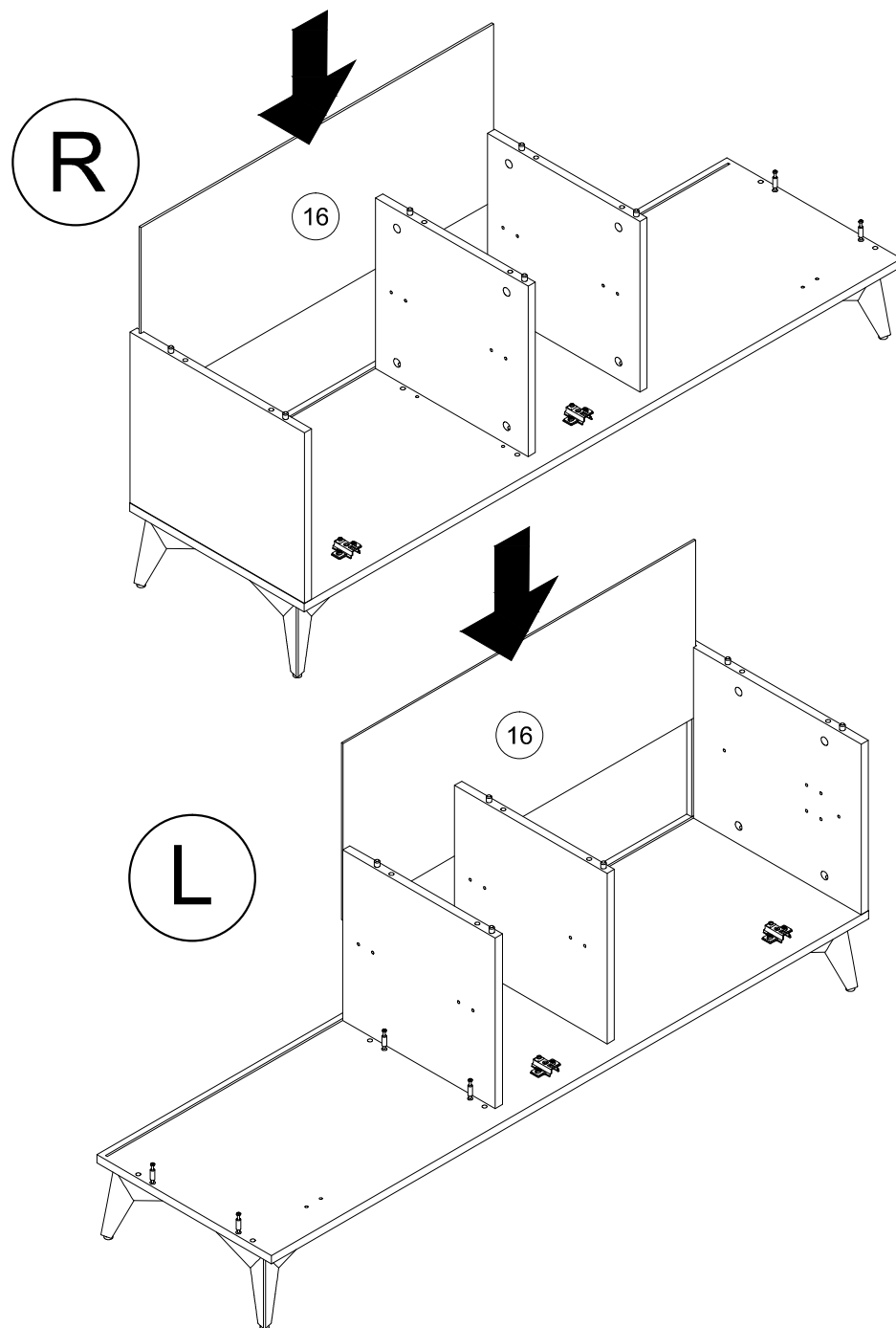


- B**

 x6
- KG**

 x1
- NS** 3,5x13

 x2

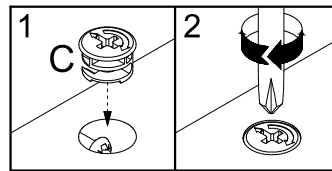
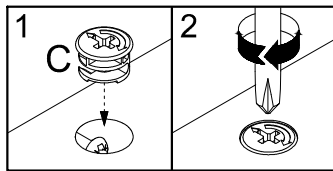
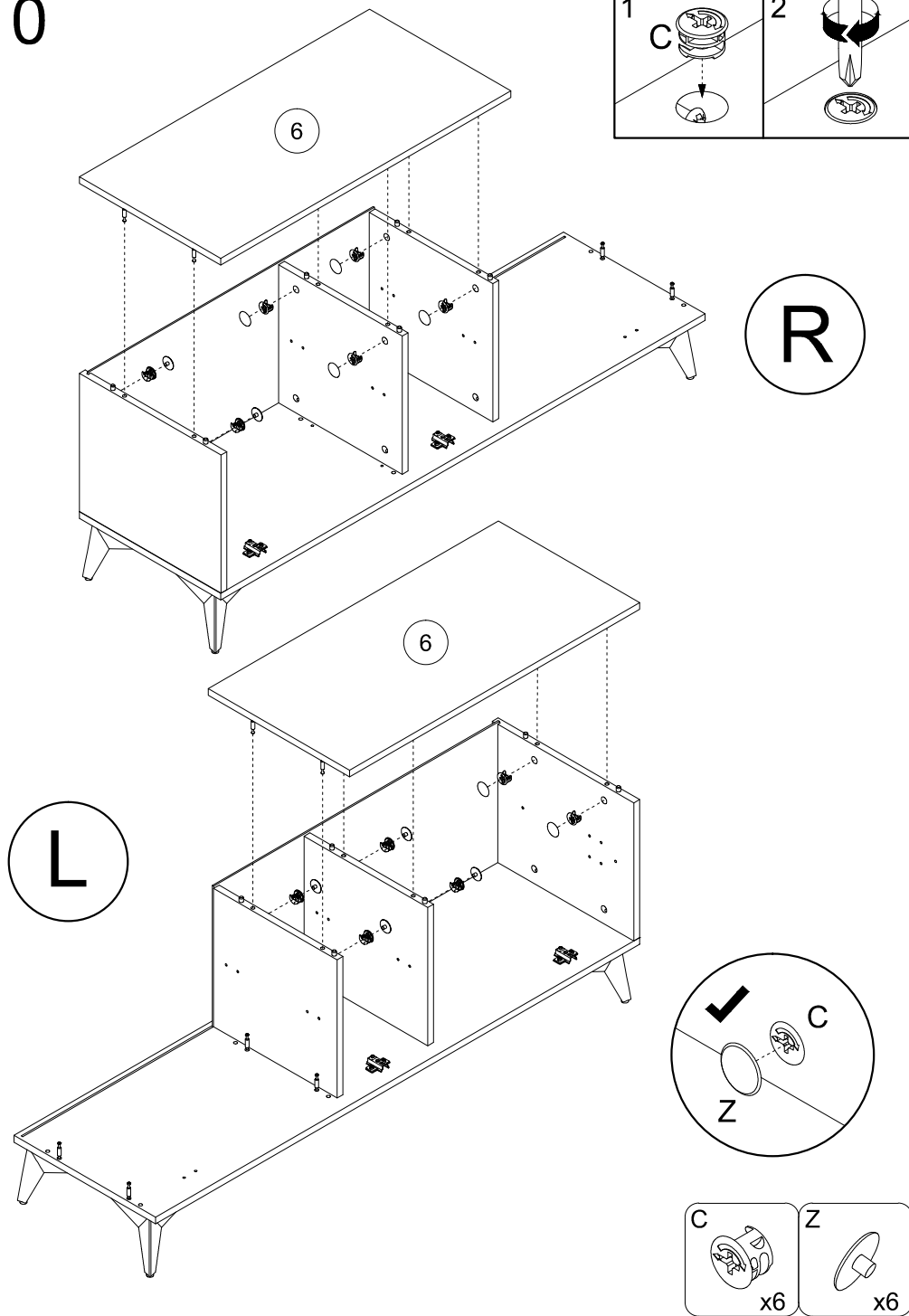
8



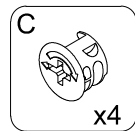
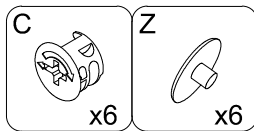
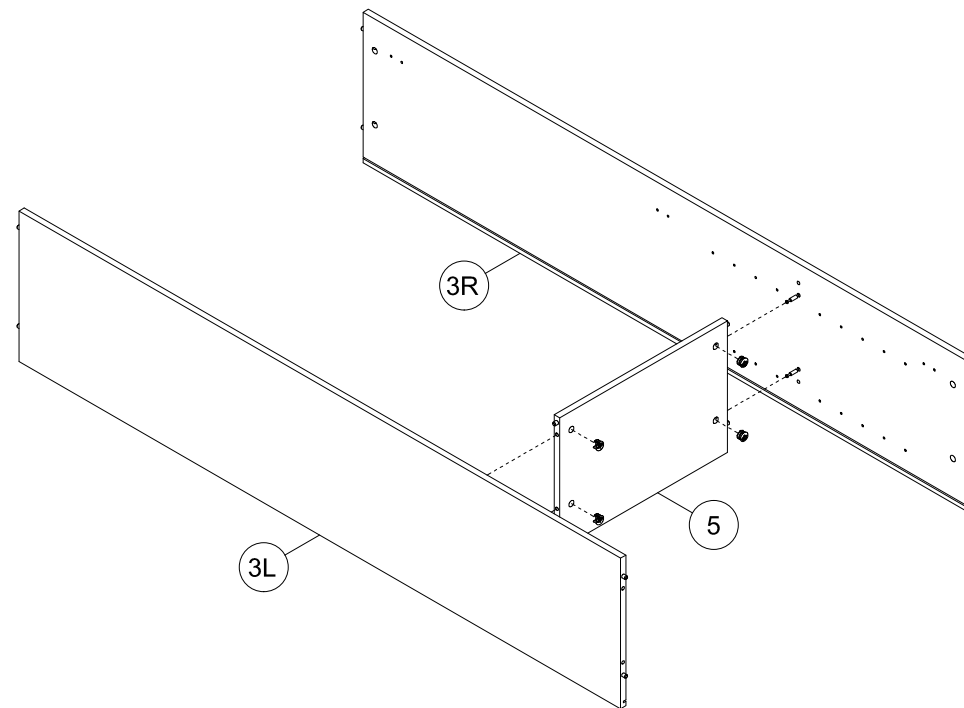
9



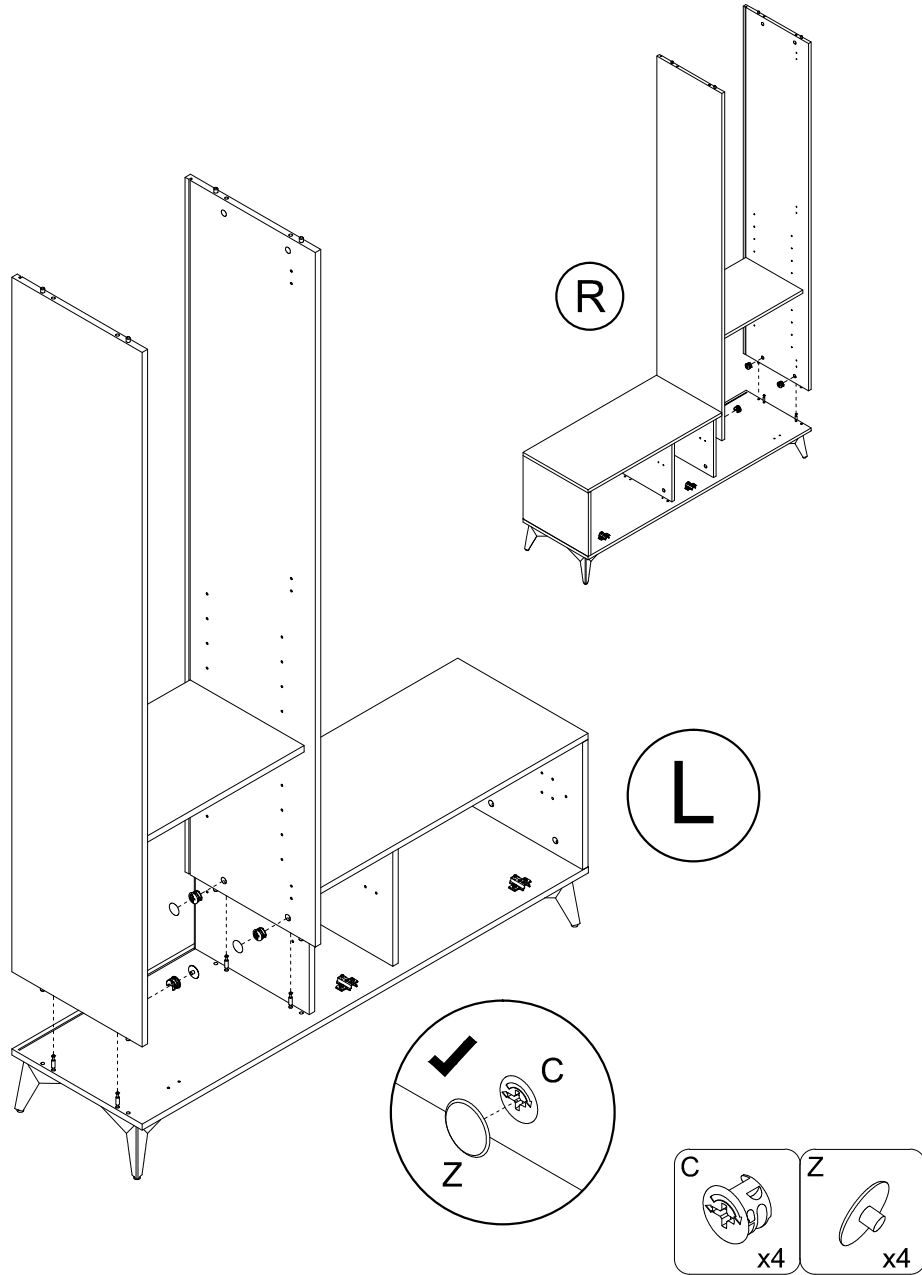
10



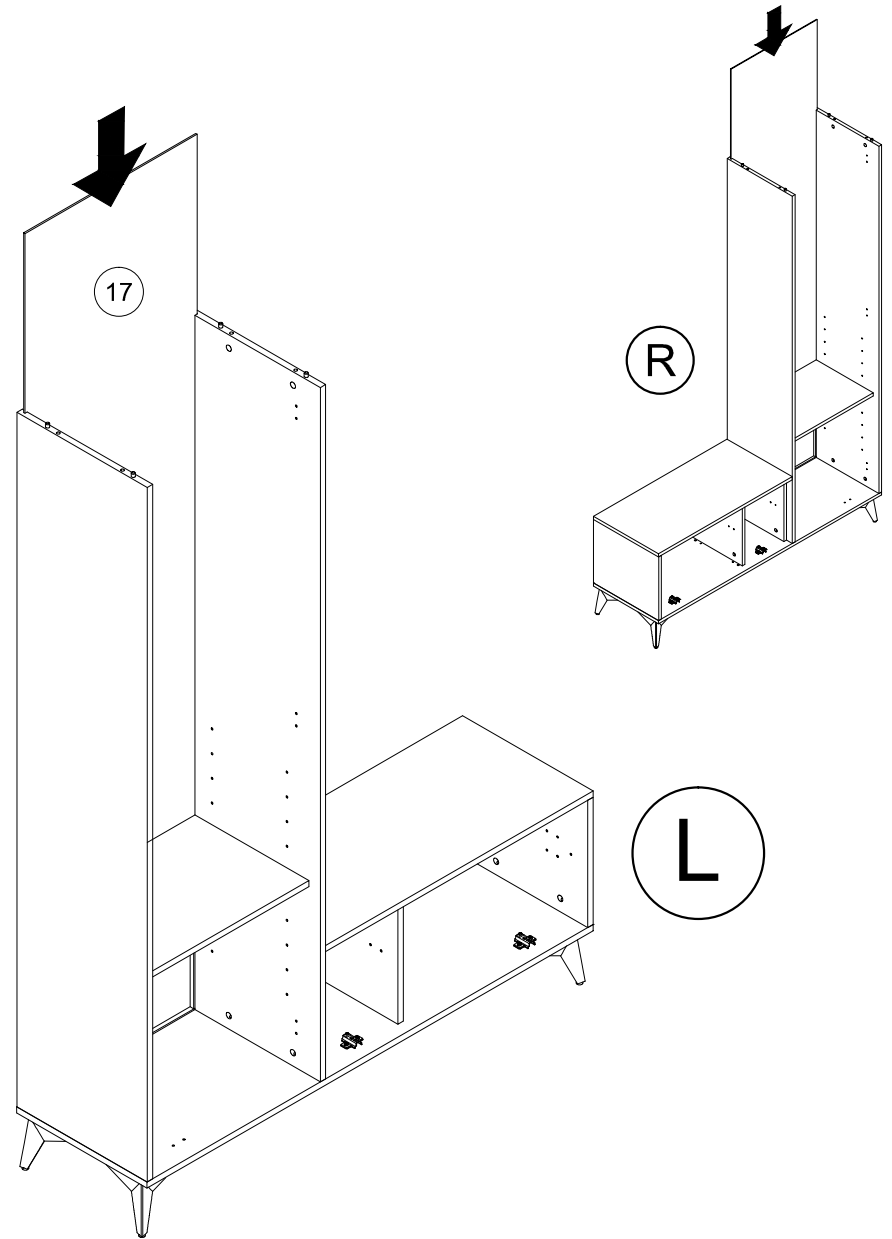
11



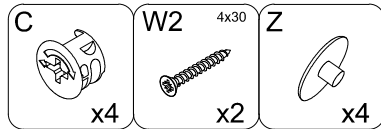
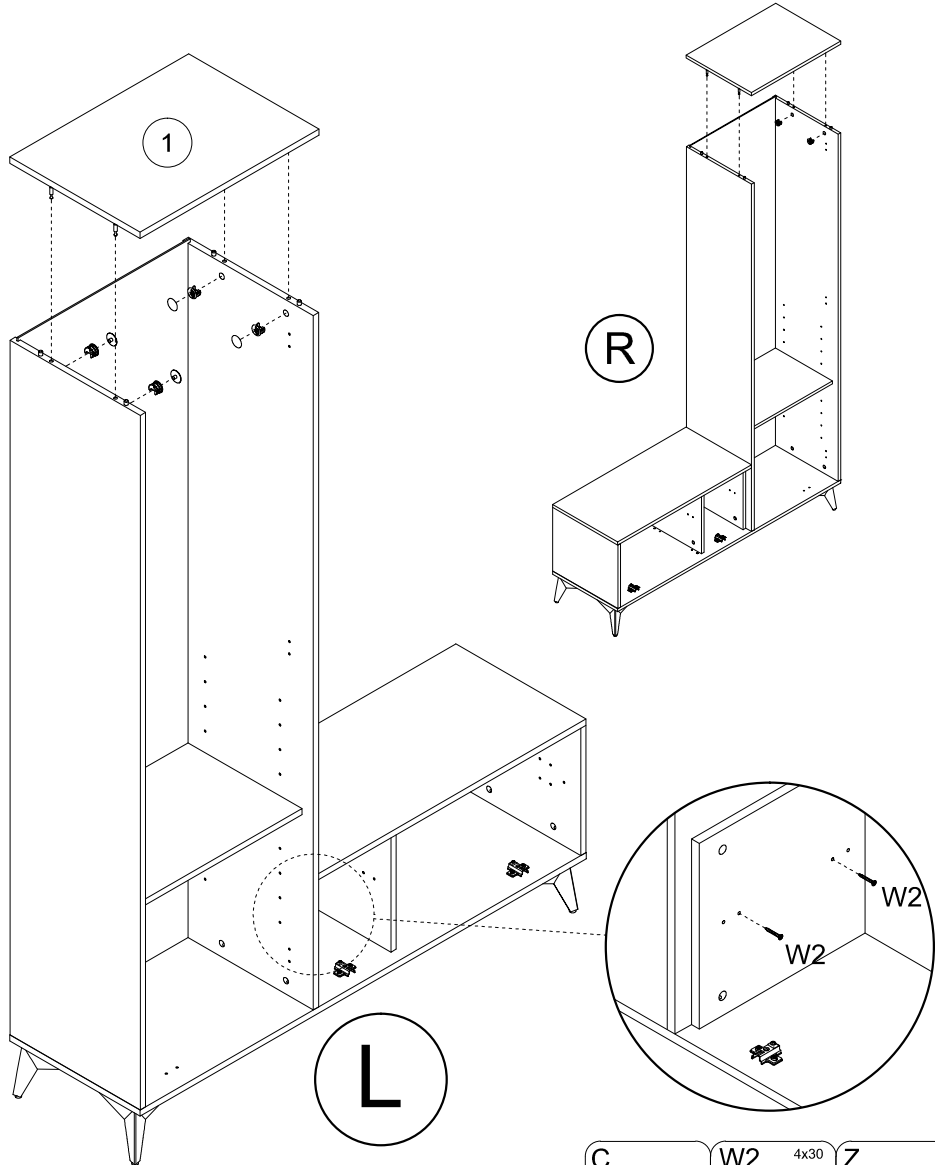
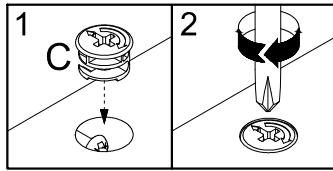
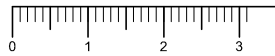
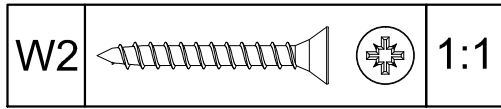
12



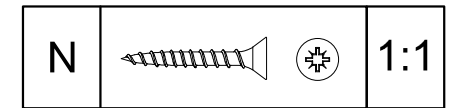
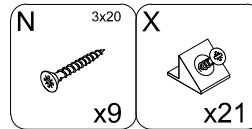
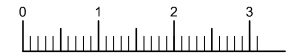
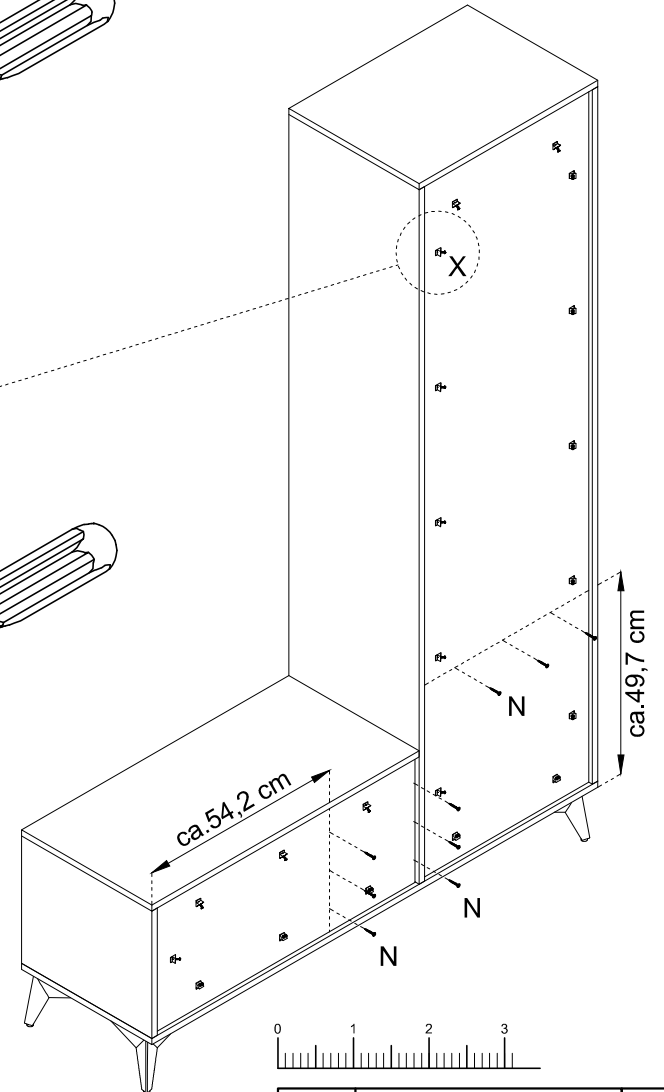
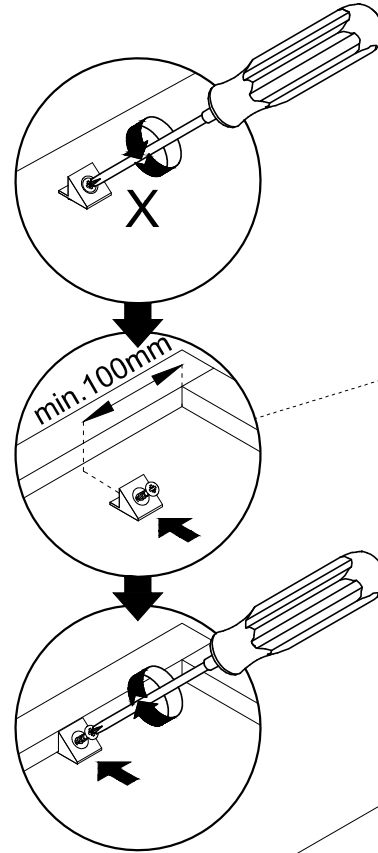
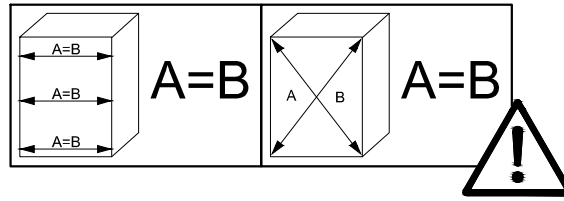
13



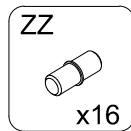
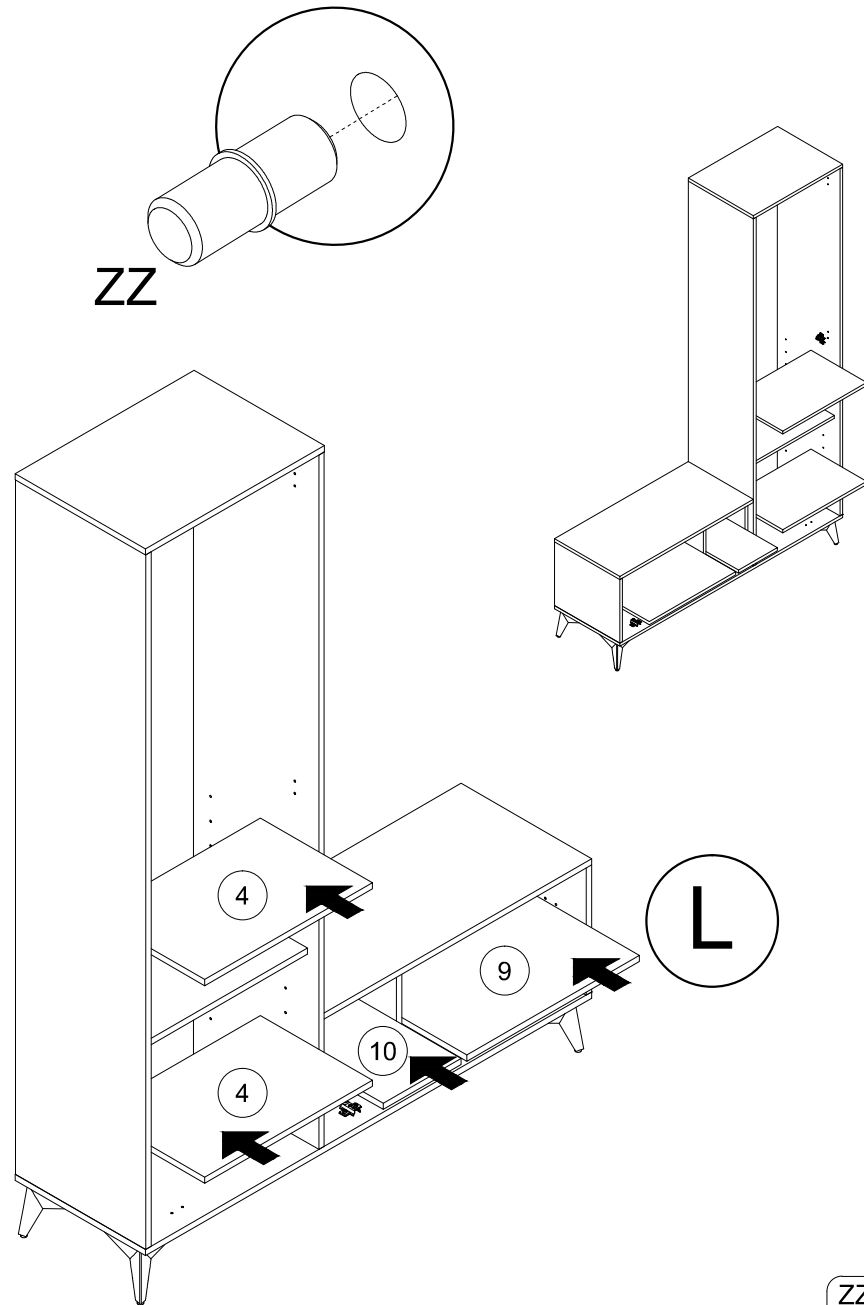
14



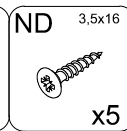
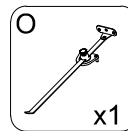
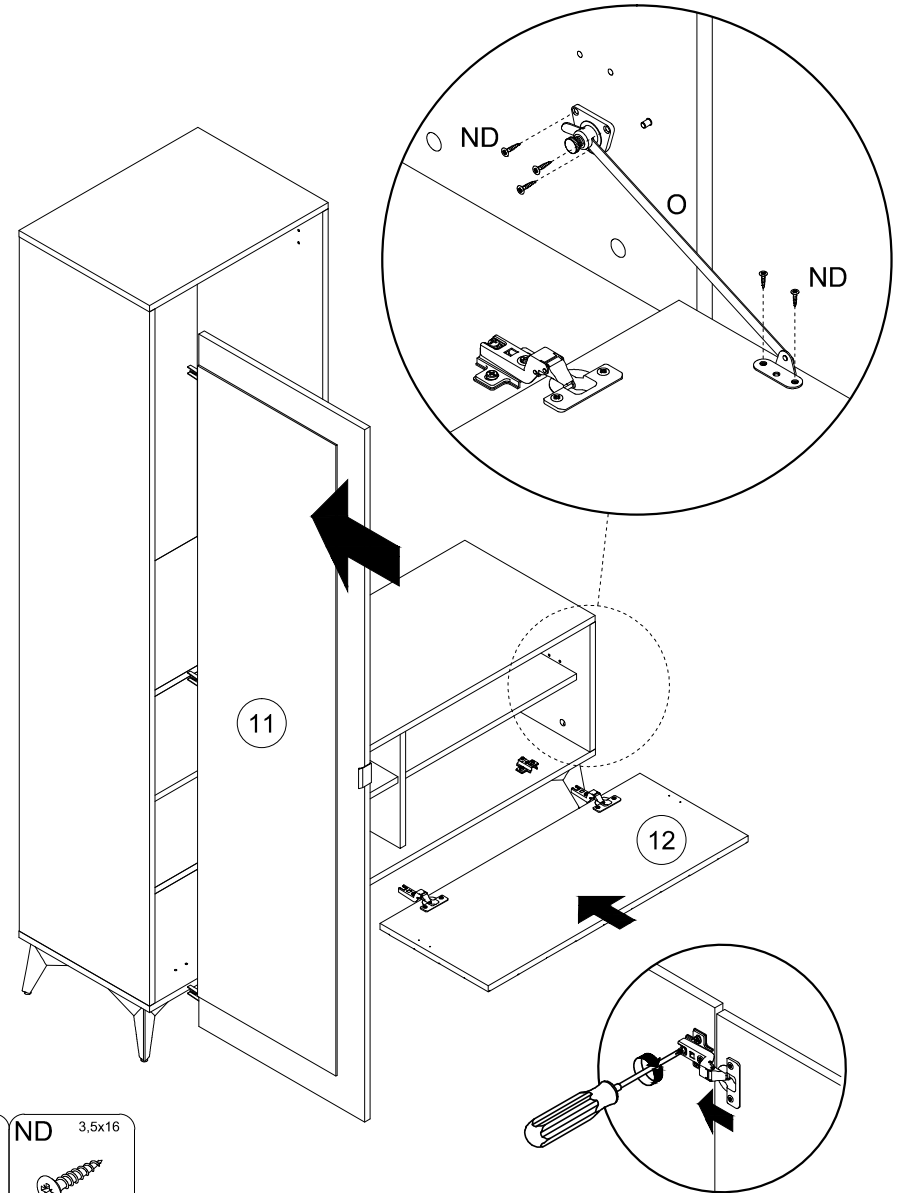
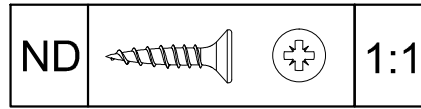
15



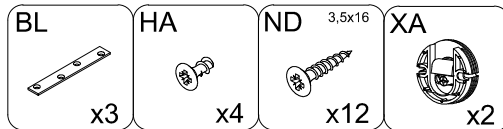
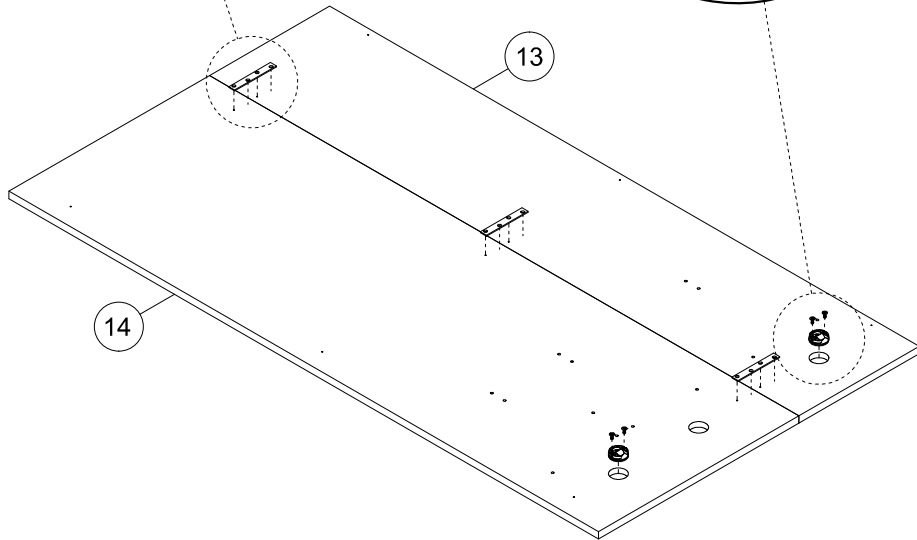
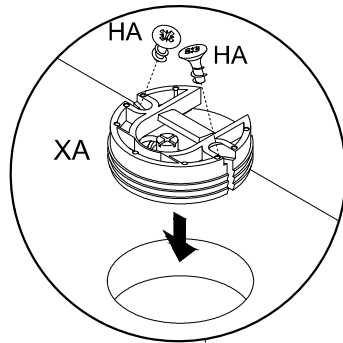
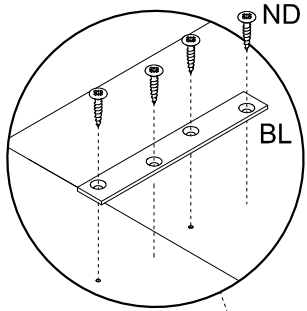
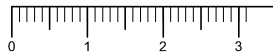
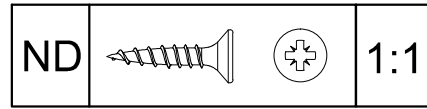
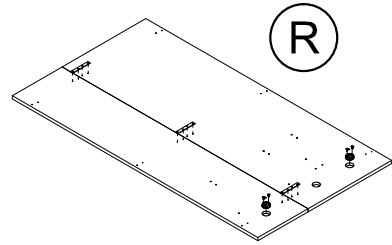
16



17



18



19

