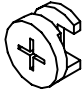
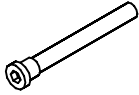
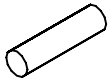
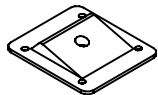
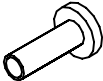
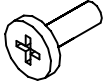

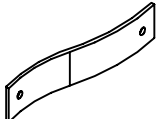

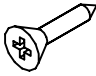

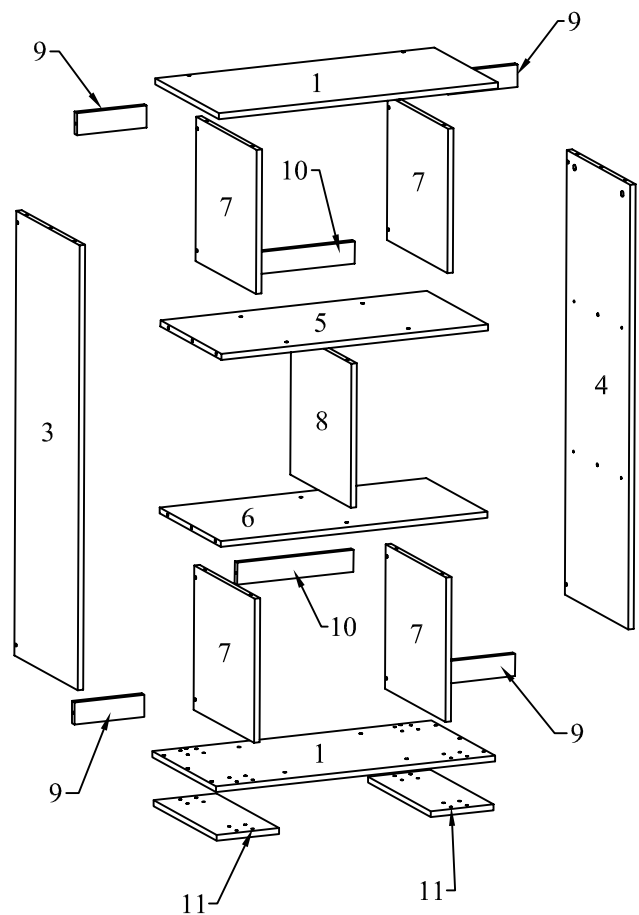
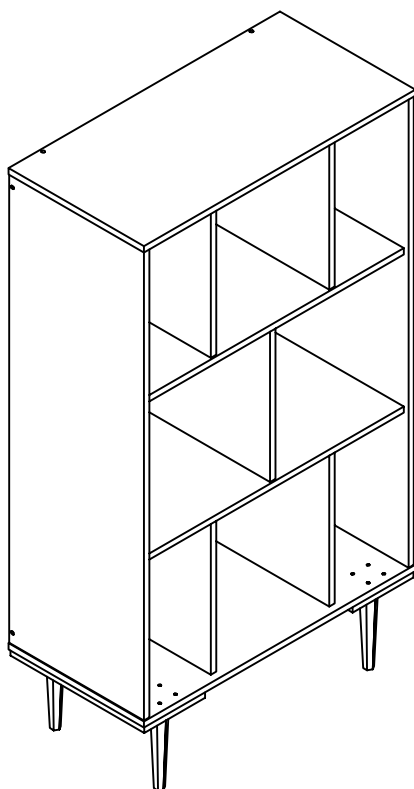
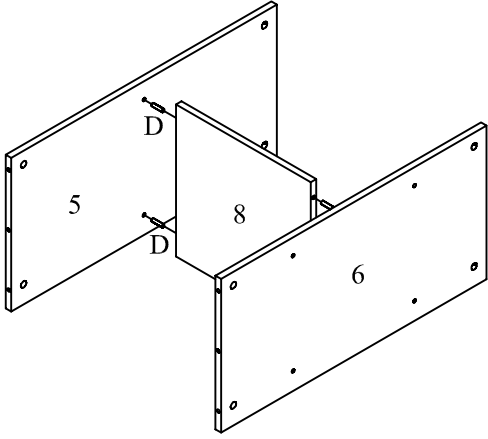
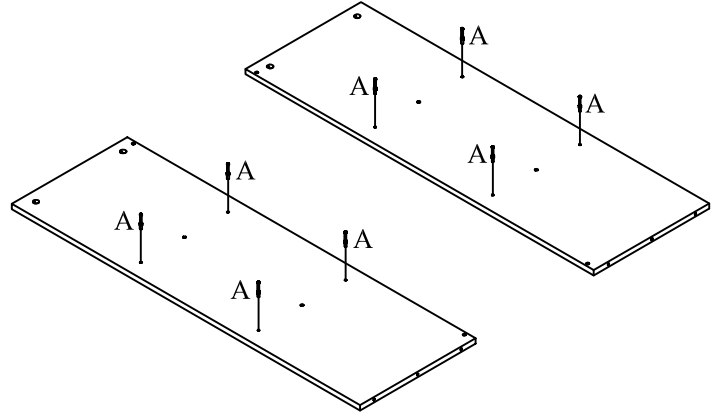
 A x12	 B x12	 7 x 50 C x22	 8 x 30 D x26
 E x4	 F x16	 G x16	 H x4
 I x1	 J x1	 3.5 x 16 K x1	 L x1



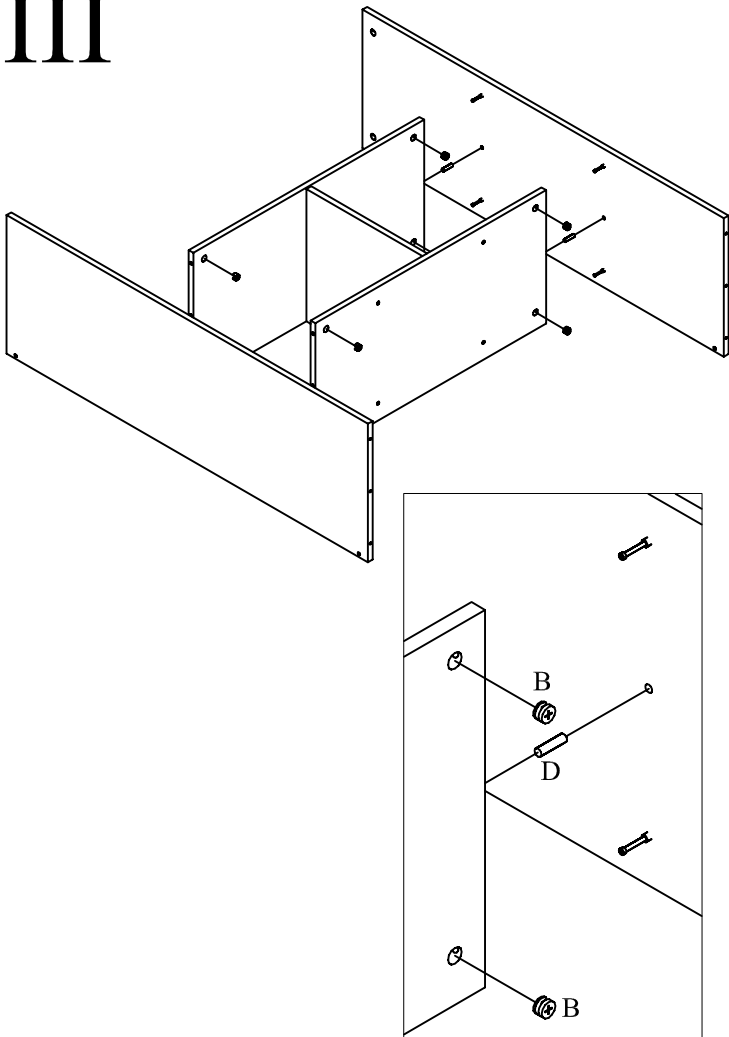
I



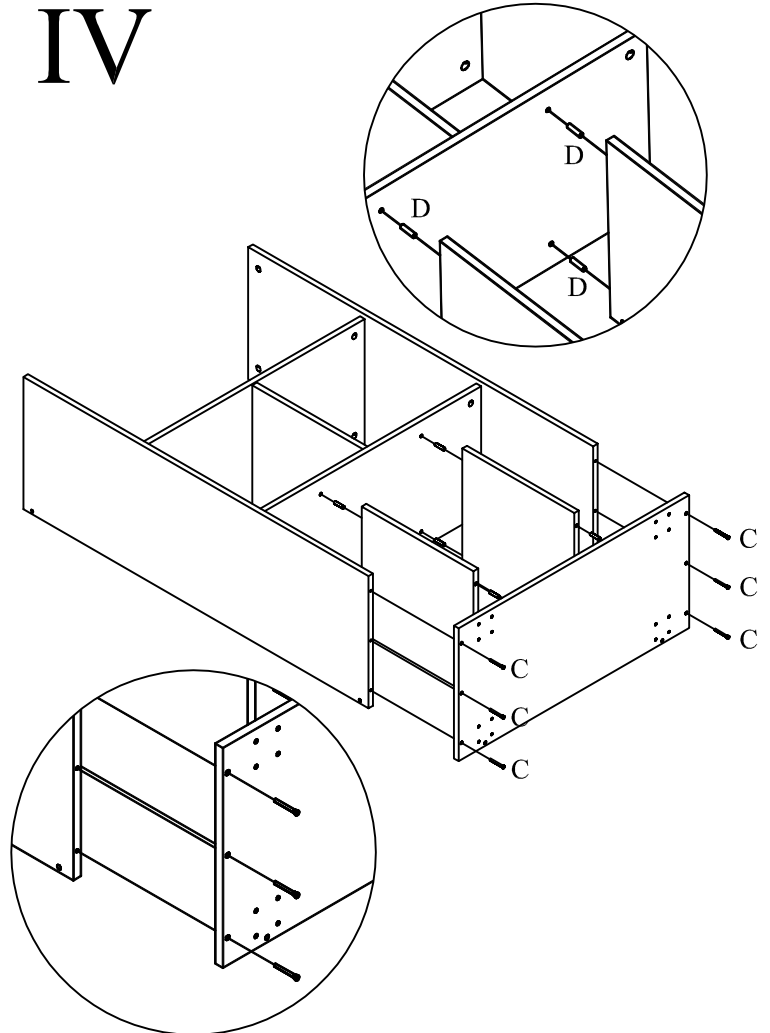
II



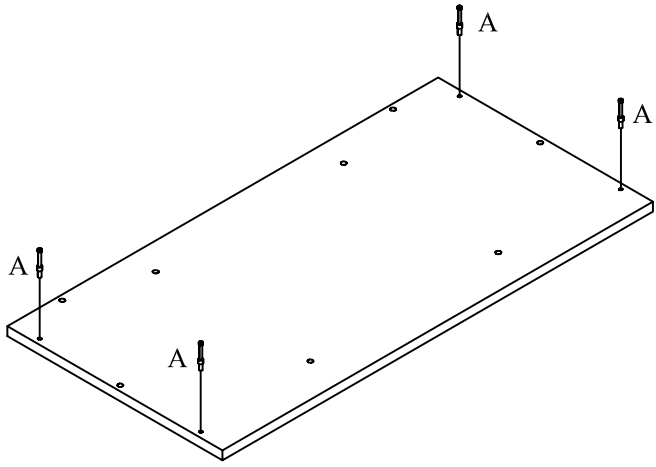
III



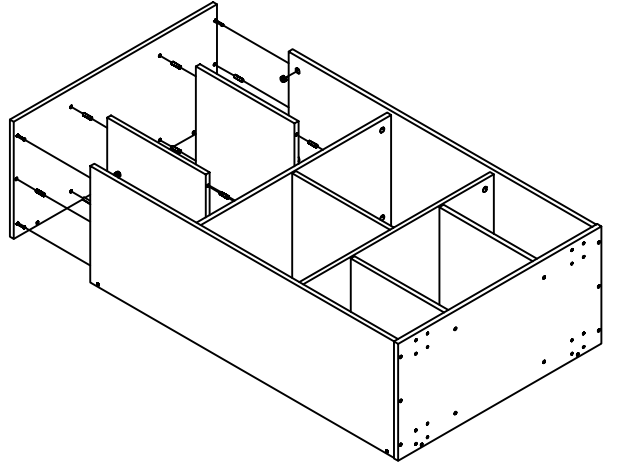
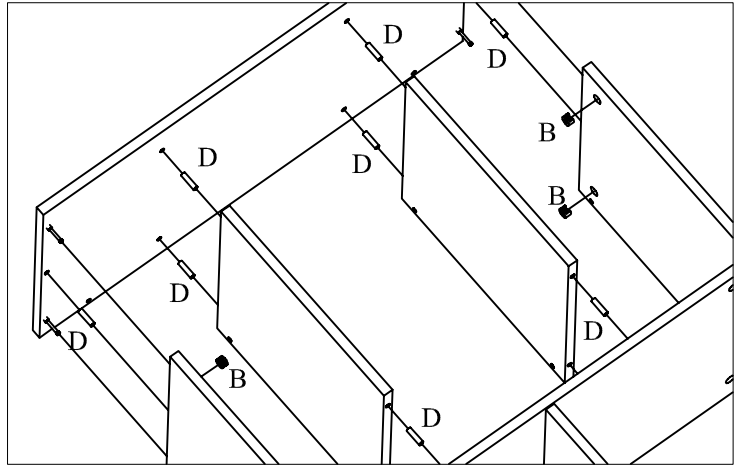
IV



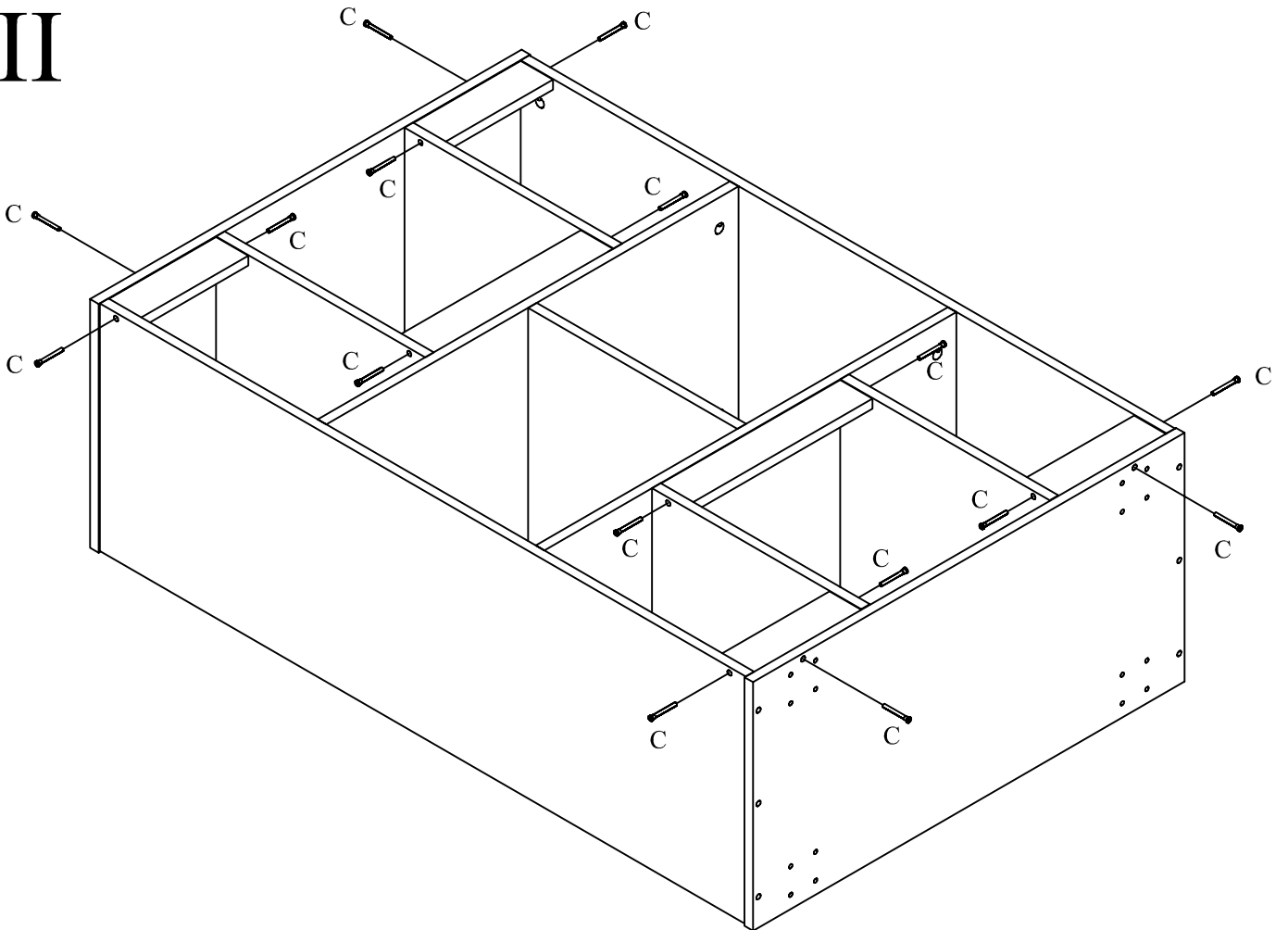
V



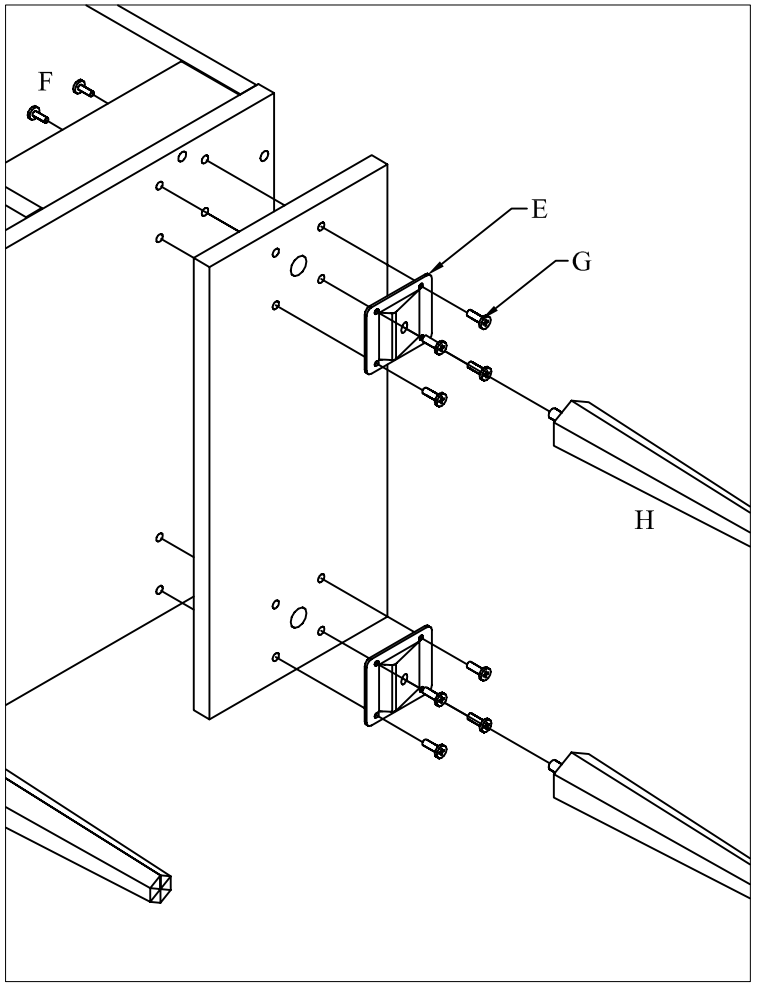
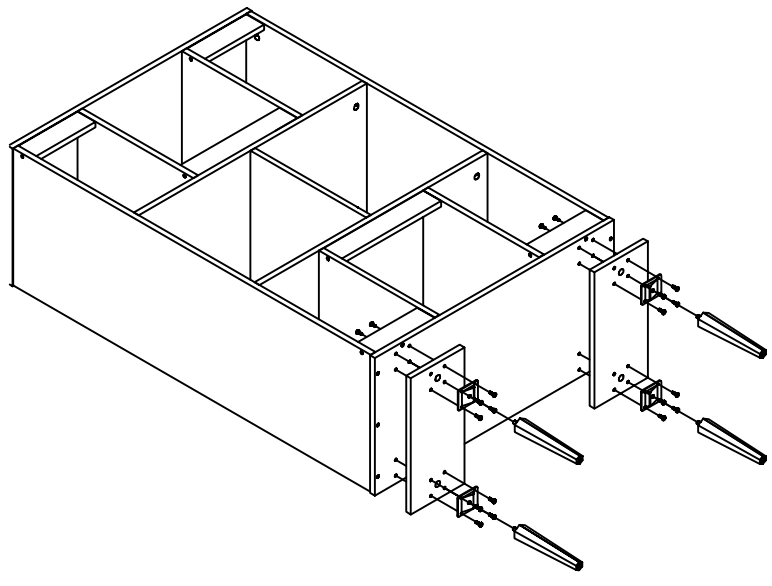
VI



VII



VIII



IX

