

M6x55mm



ax8

Ø10x10mm



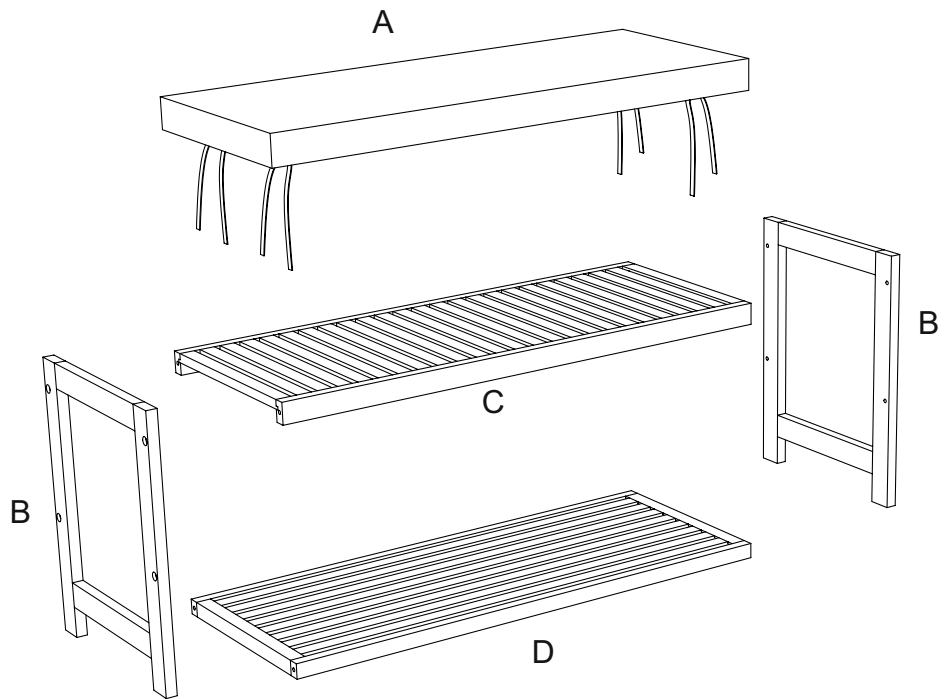
bx8



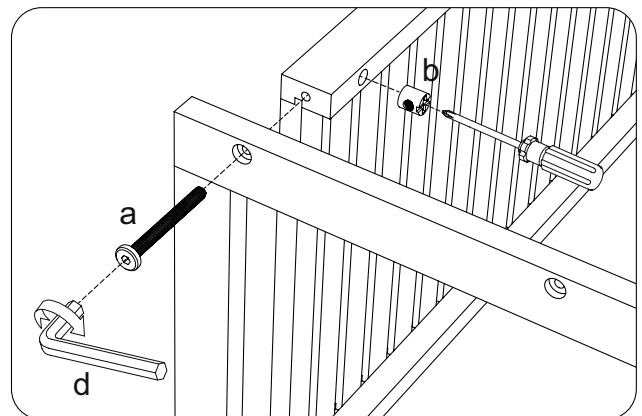
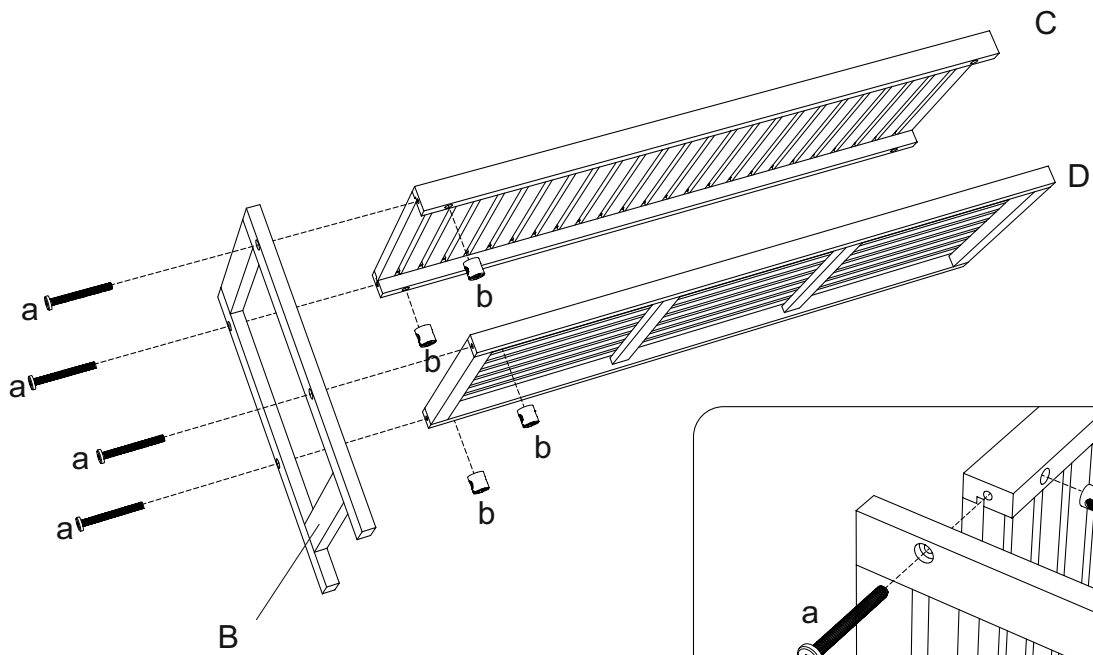
cx4



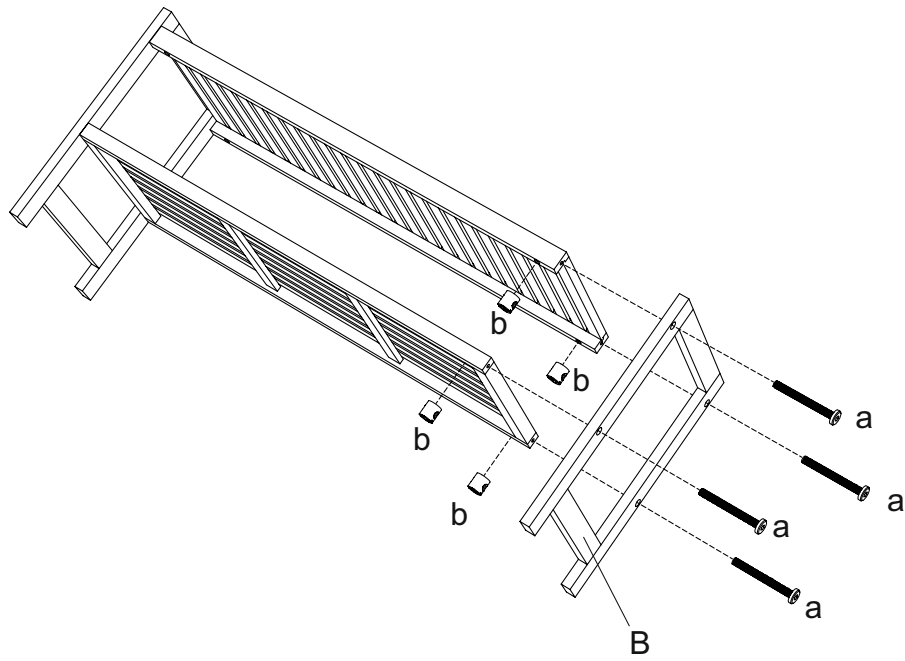
dx1



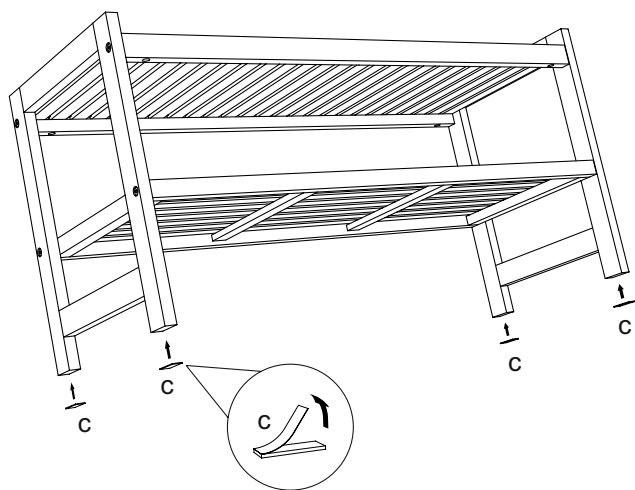
1



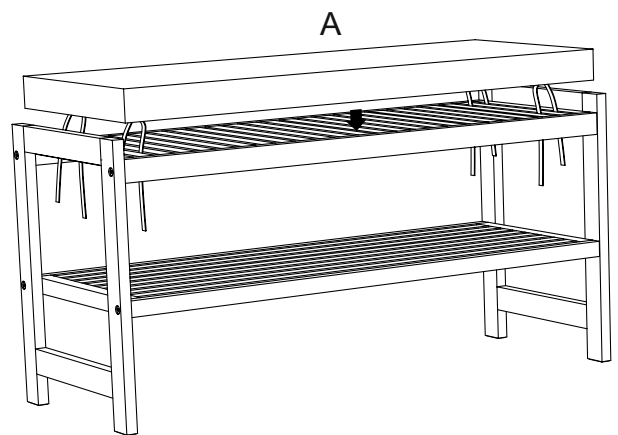
2



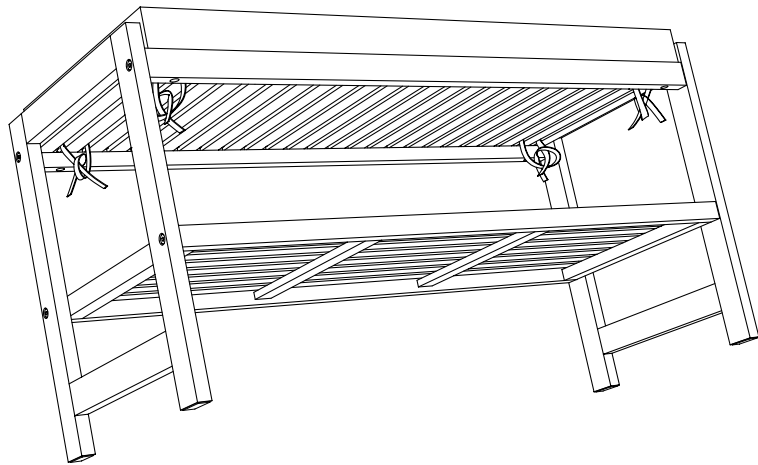
3



4



5



6

