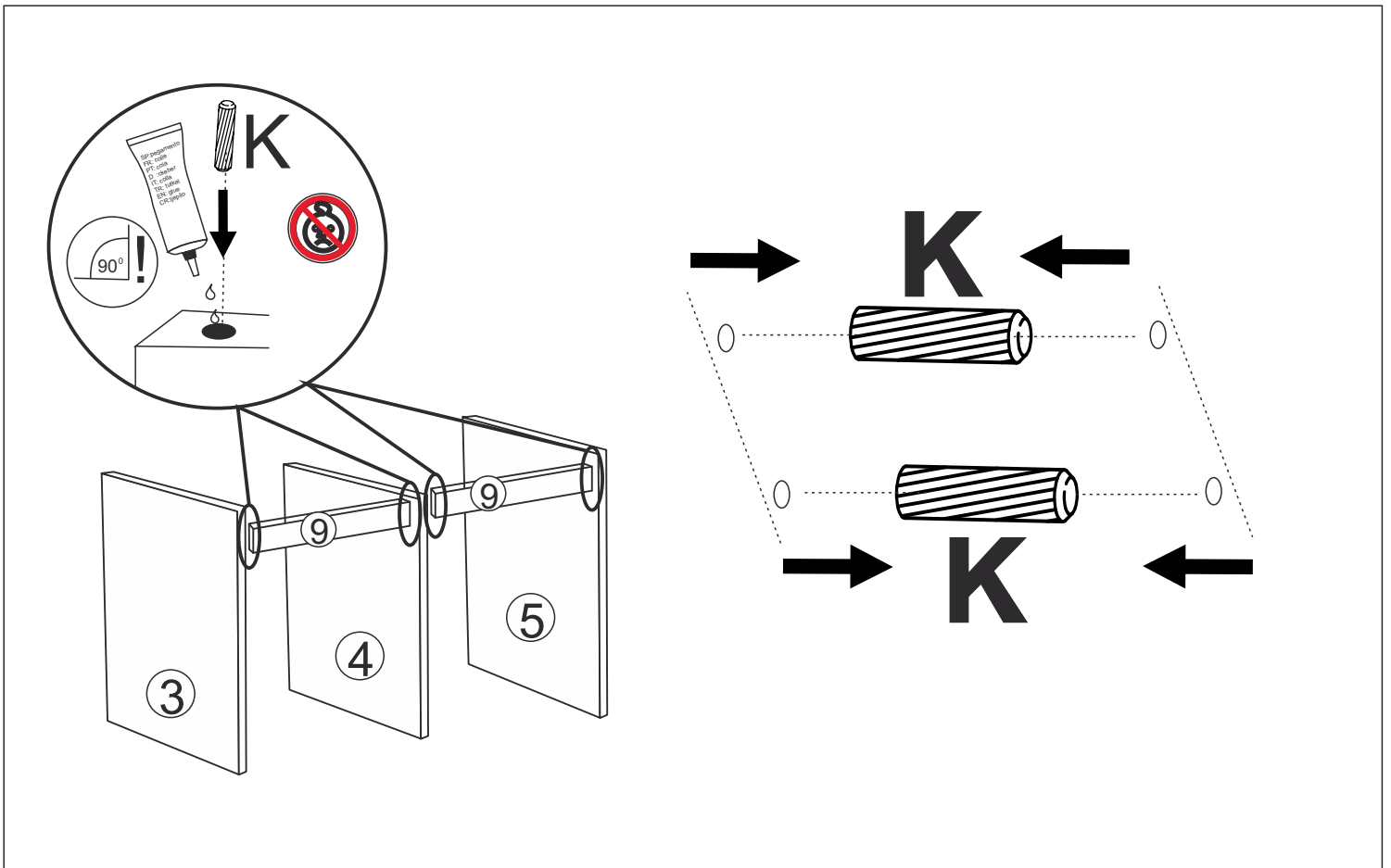
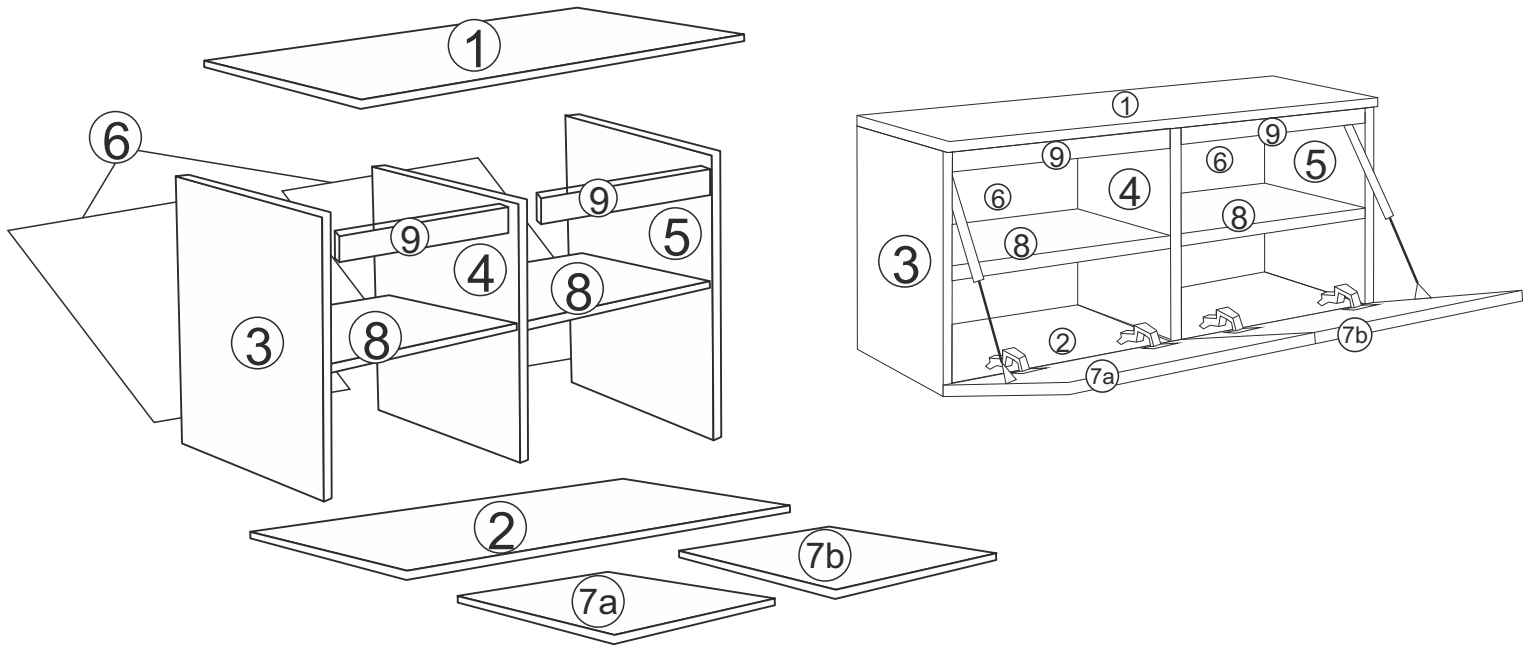
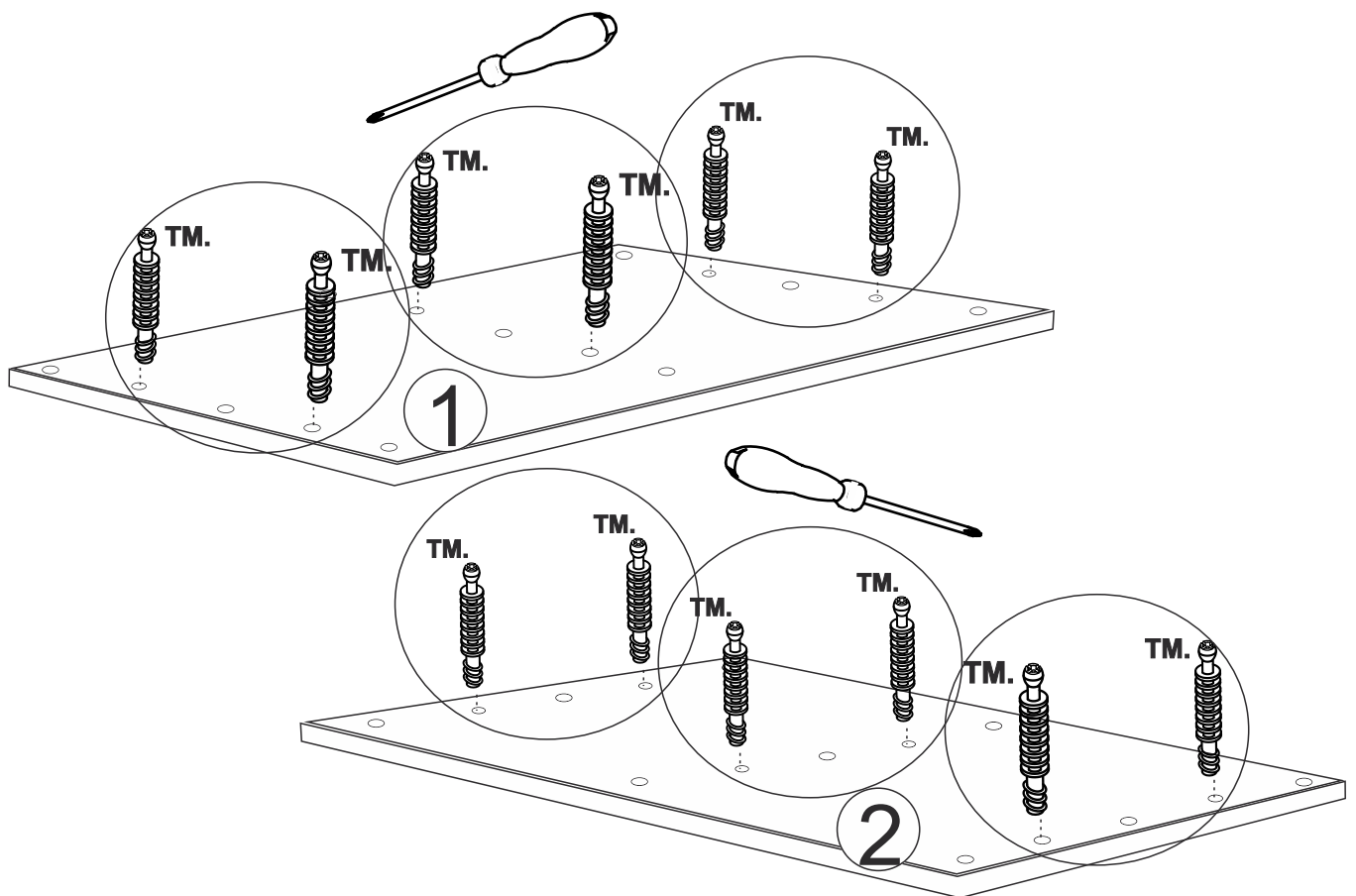
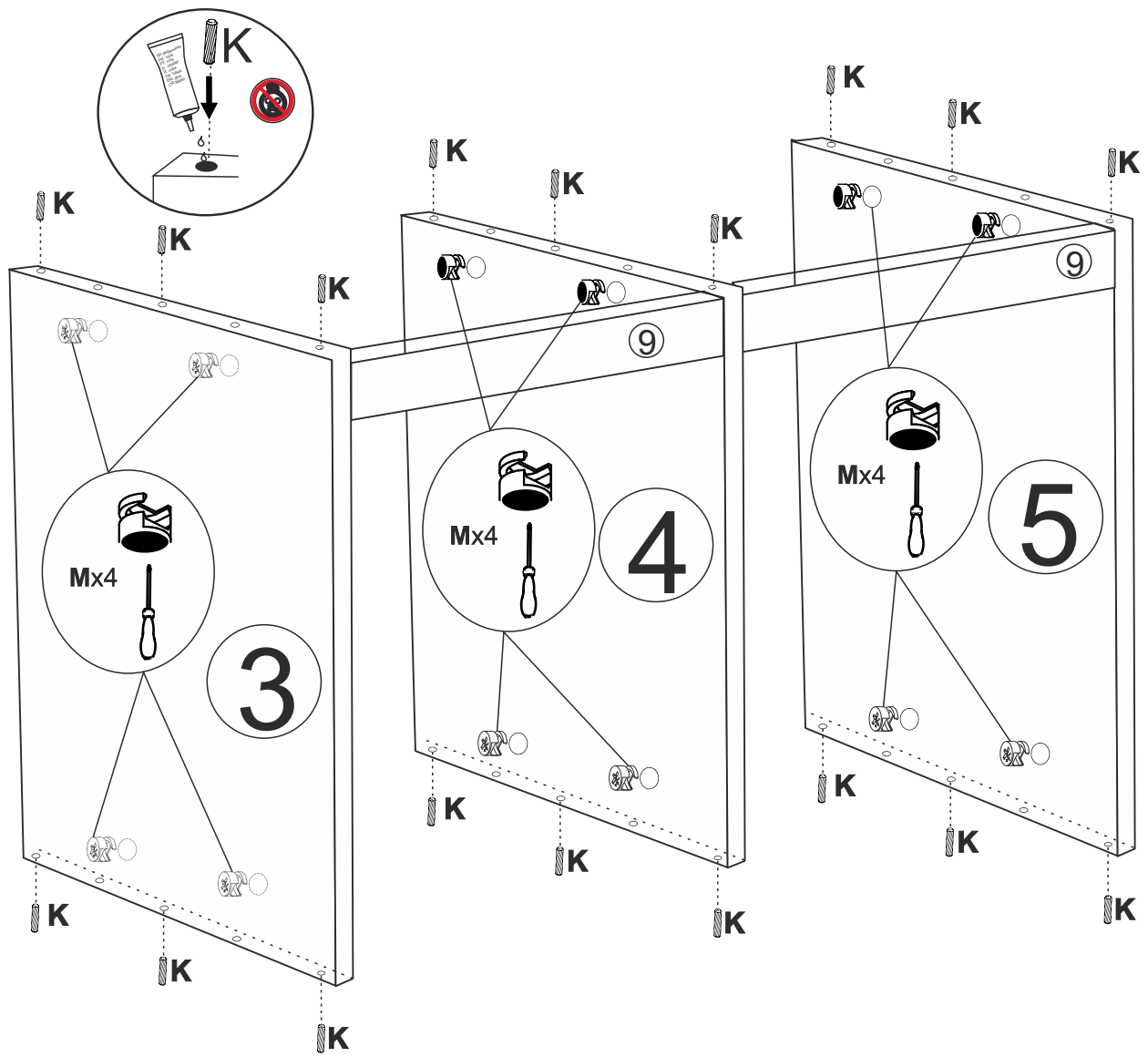
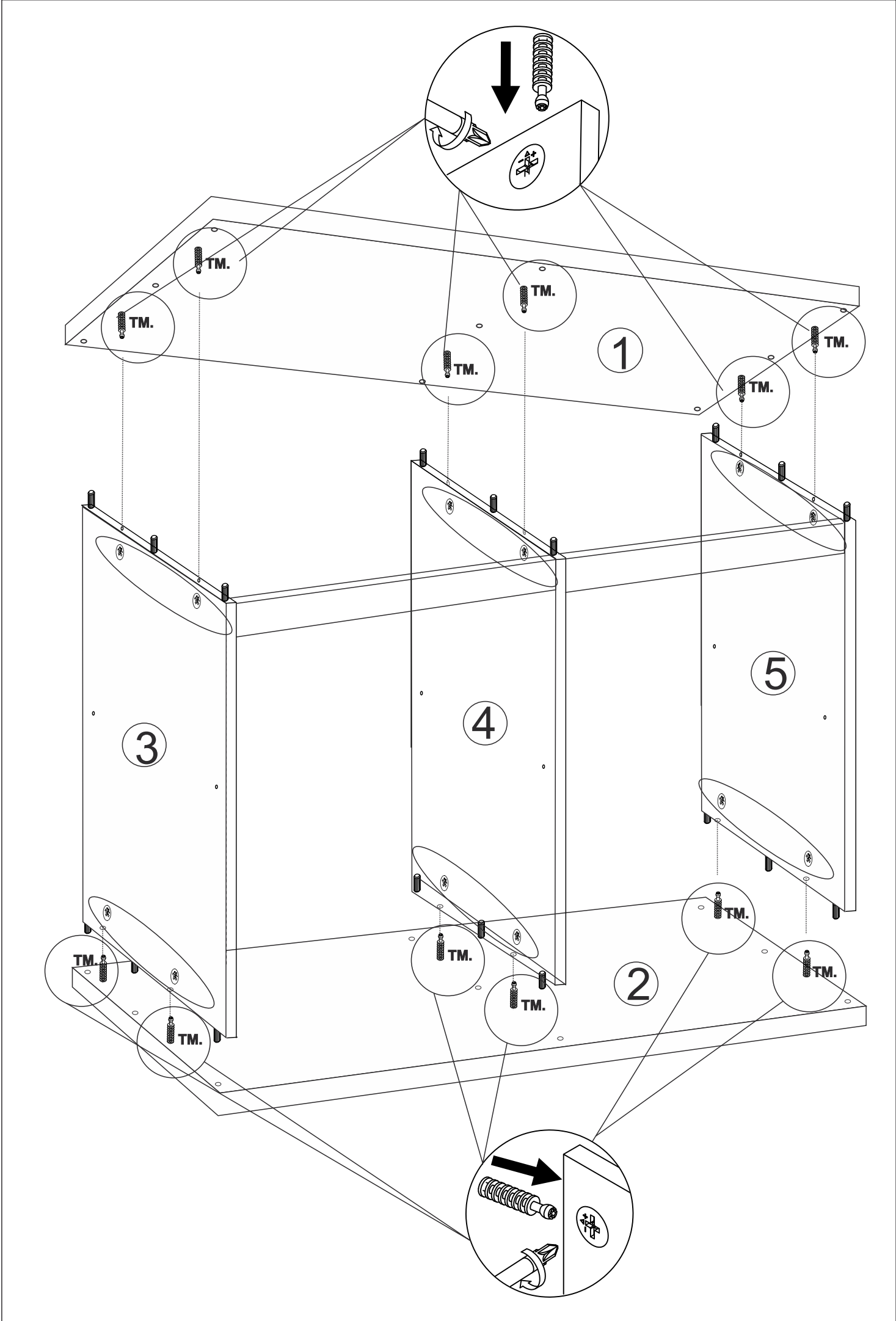
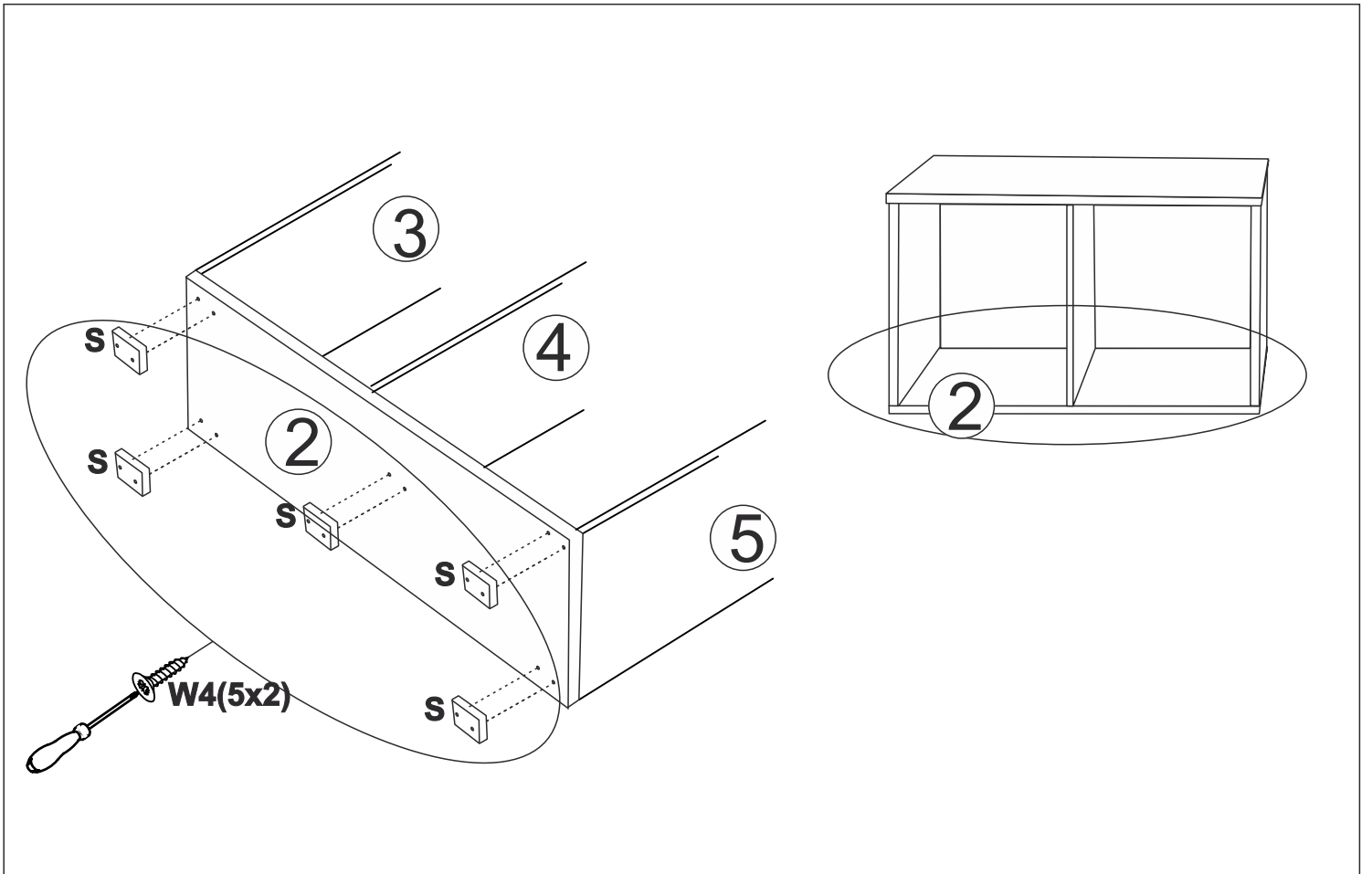
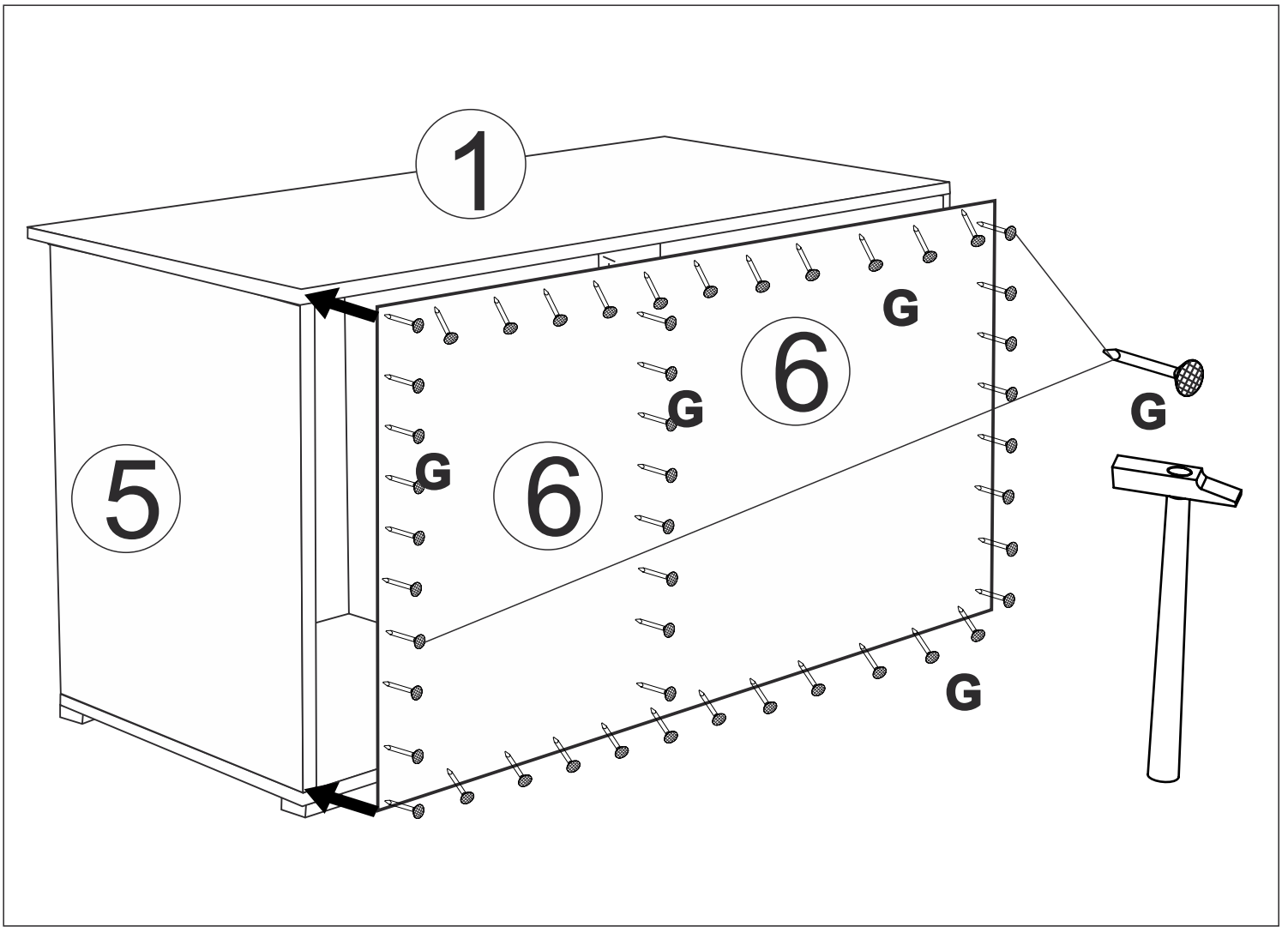


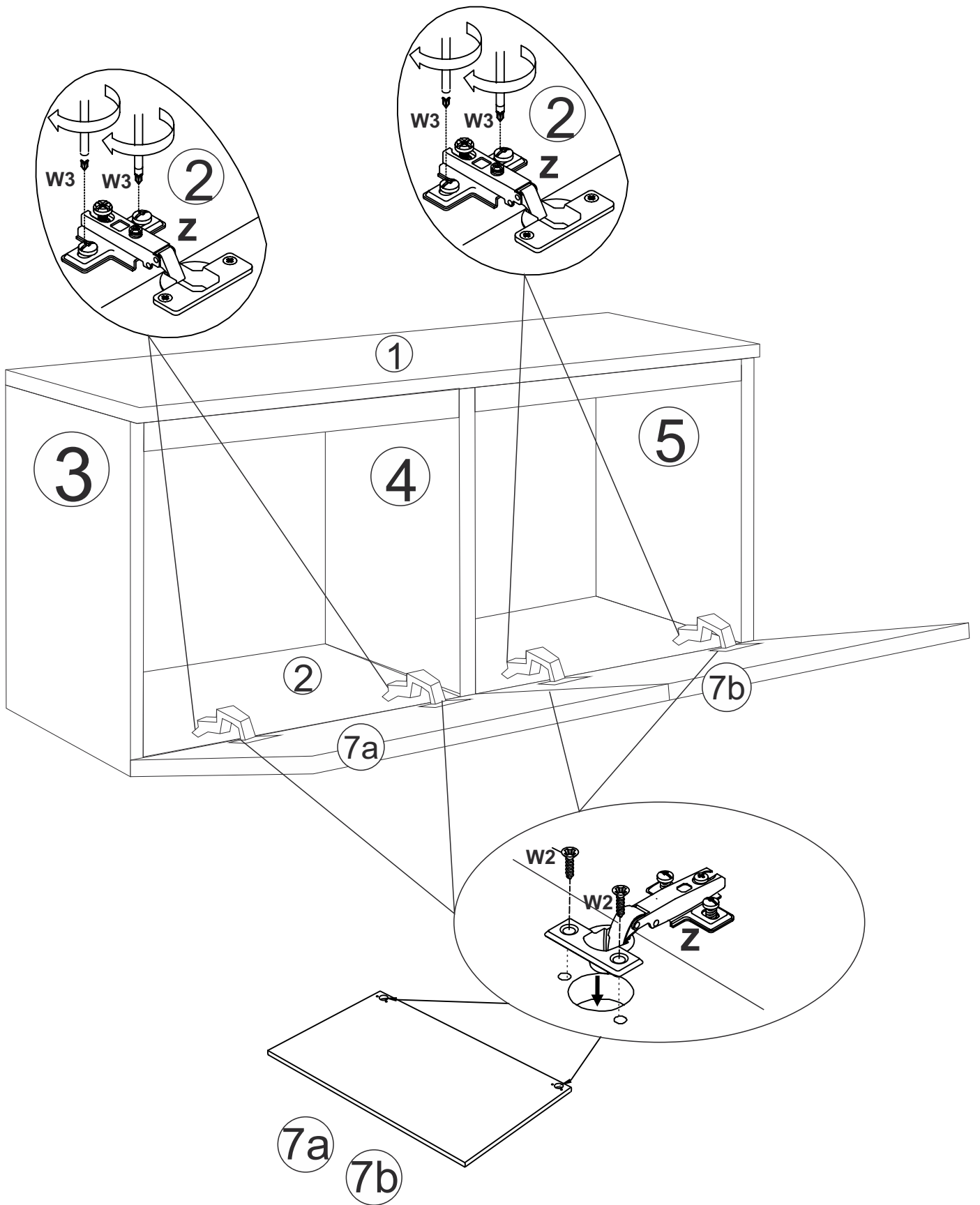
			<b>Kx26szt</b> 	<b>TMx12</b> 	<b>Mx12</b> 	<b>G</b> 
<b>W2</b> 16x3,5mm  x18	<b>W3</b> 16mmx6  x8	<b>W4</b> 25mmx3,5  x10	<b>S</b>  x5	<b>C</b>  x8		

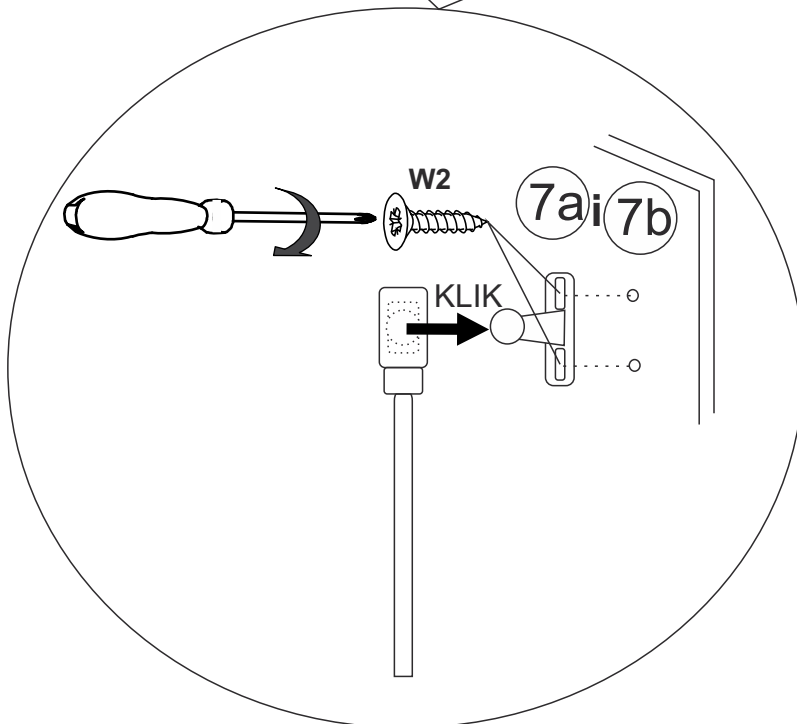
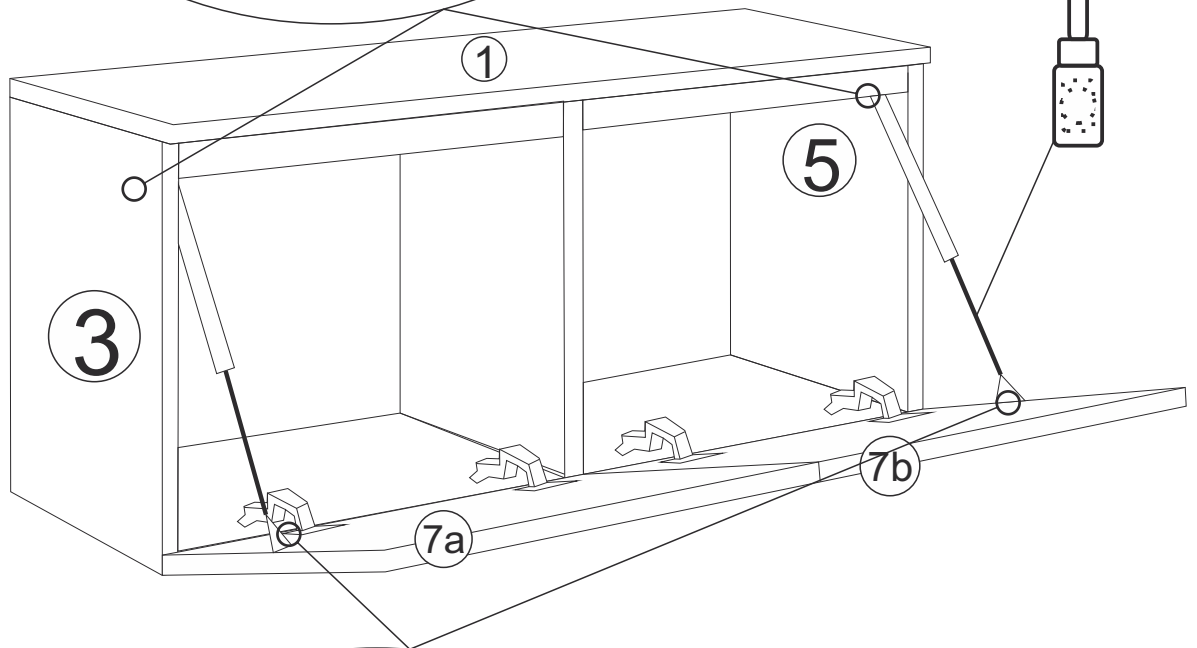
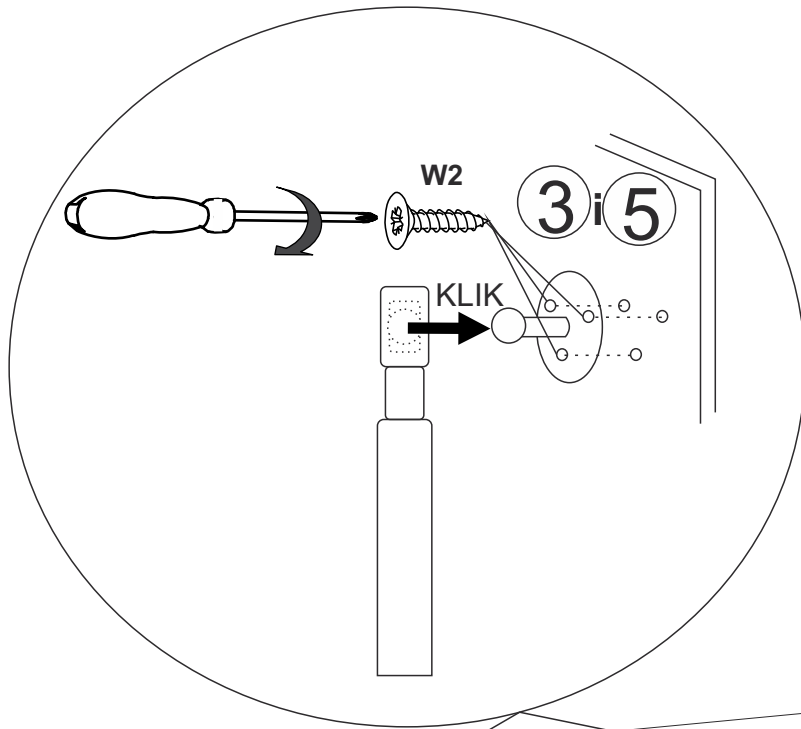


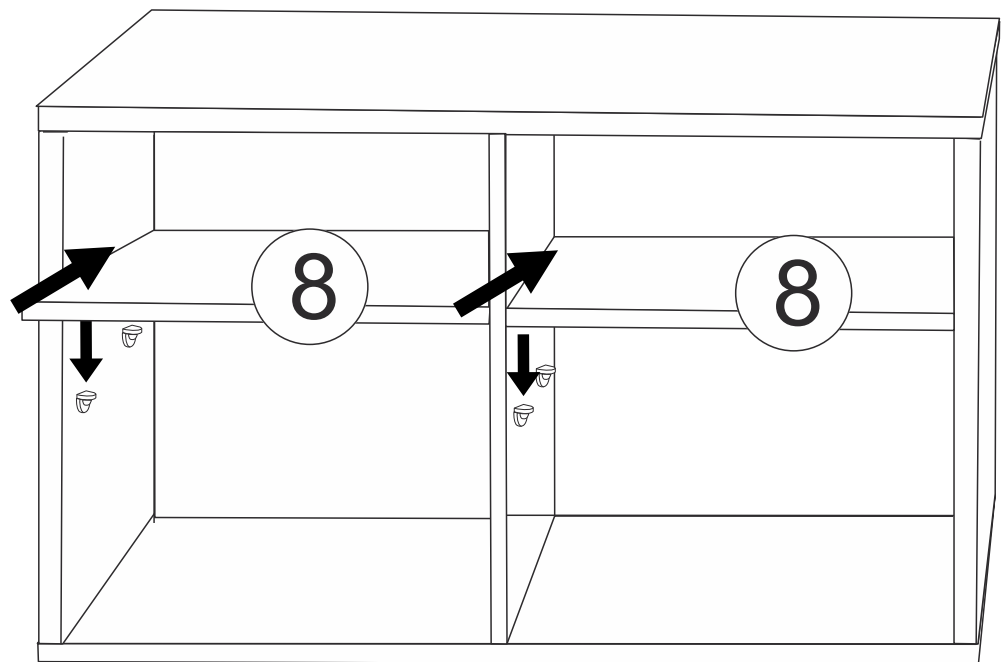
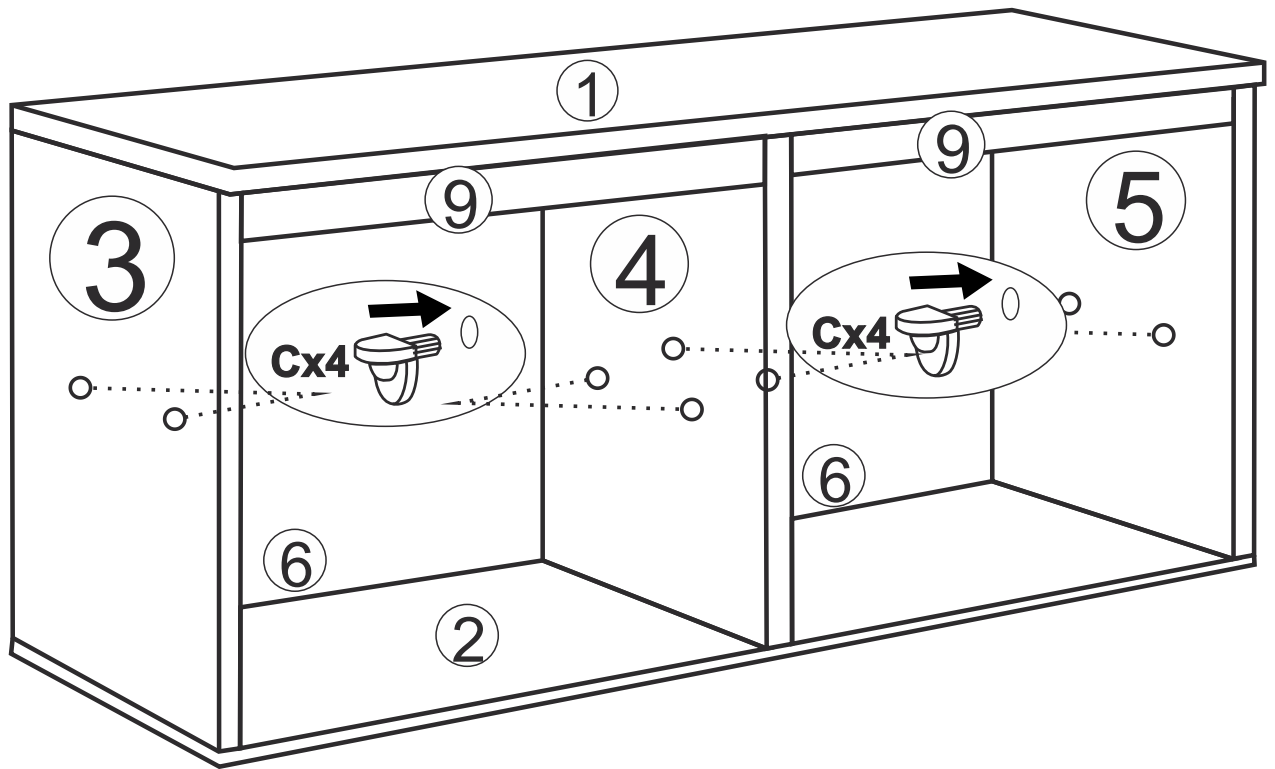









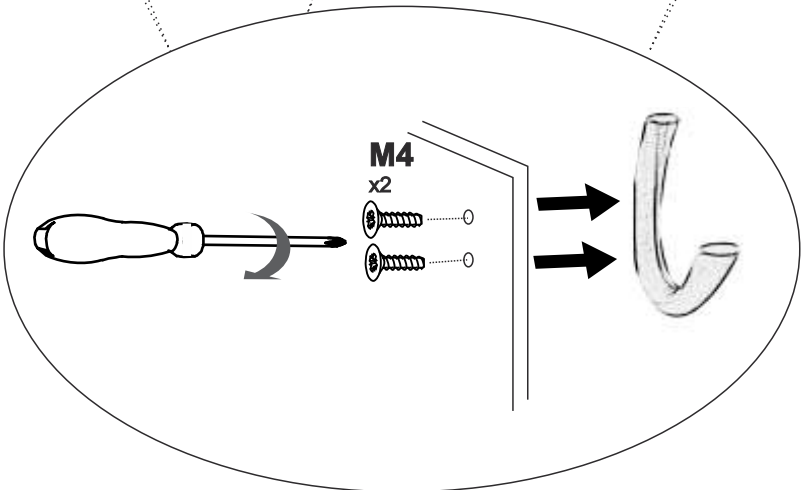
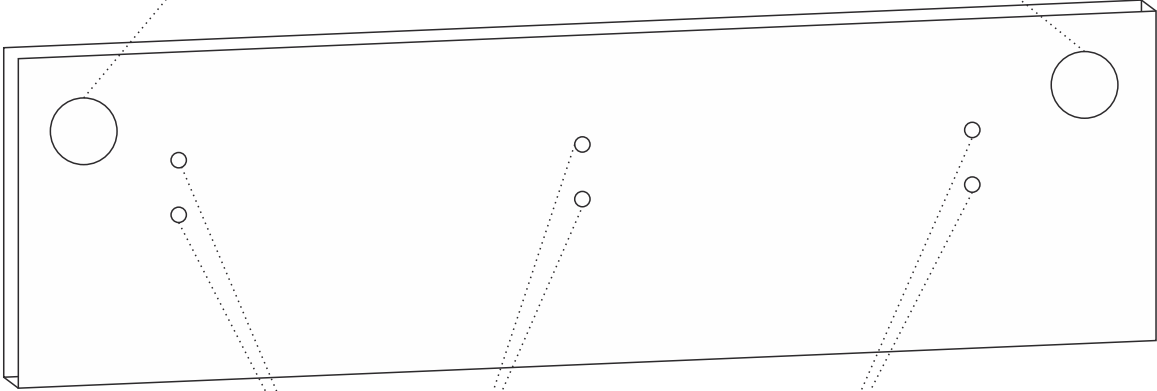
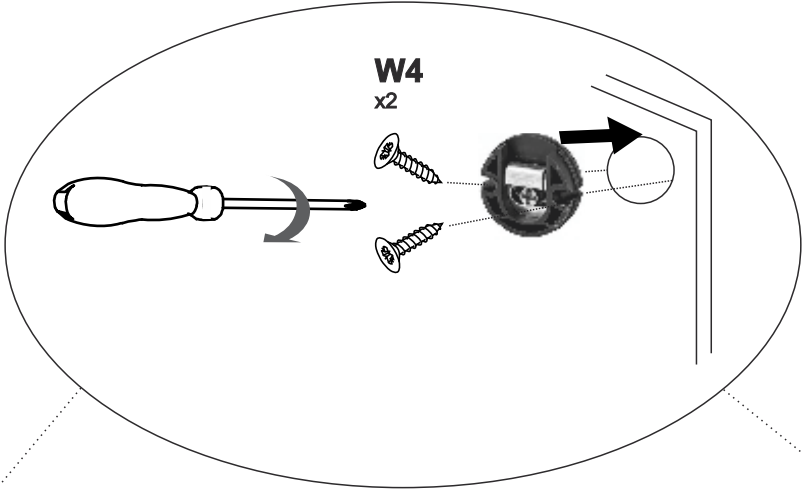
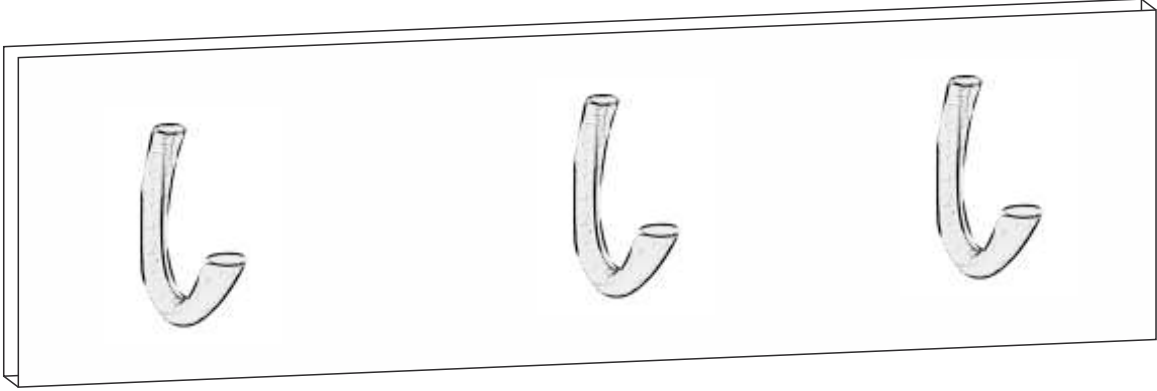




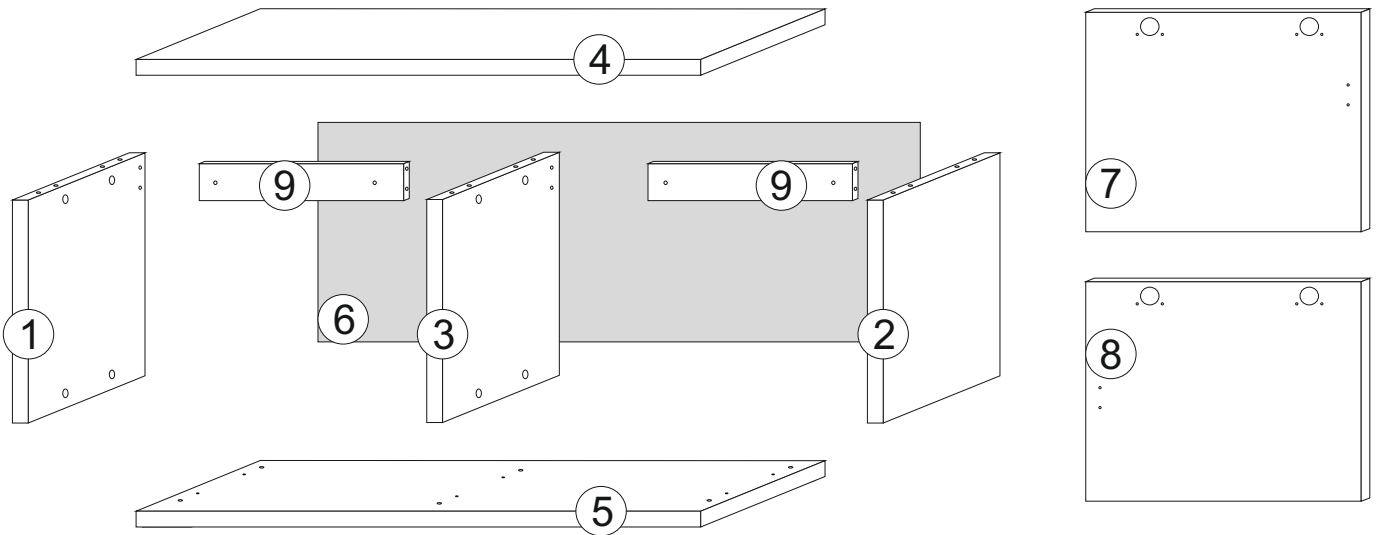
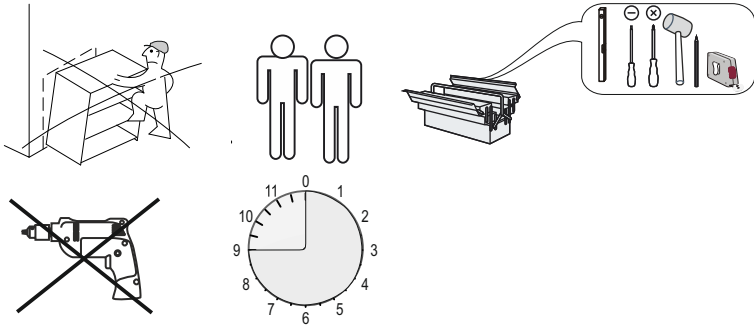
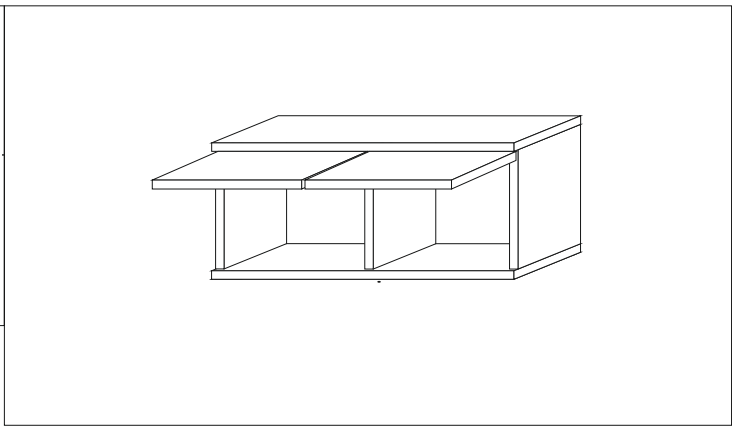




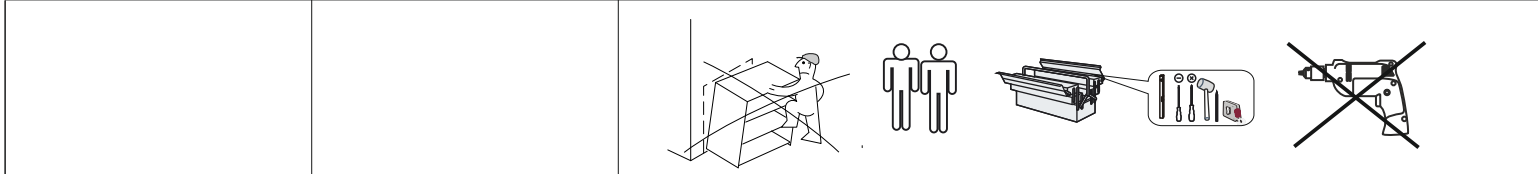
	<b>M4</b> 25mmx4  x6	 x3	 x2	<b>W4</b> 16mmx3,5  x4
---	--	---	---	--



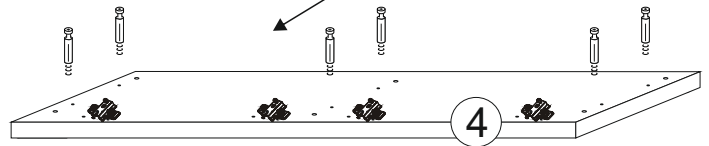
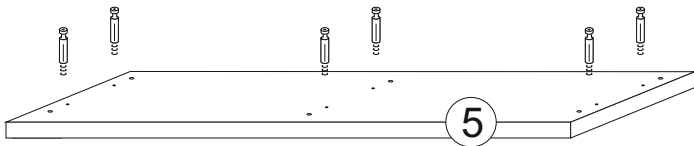
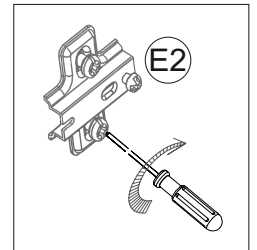
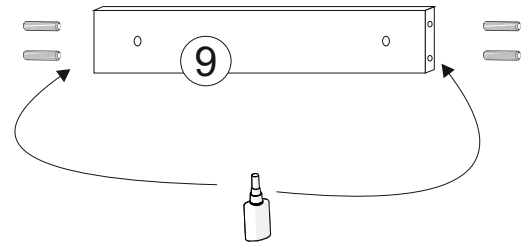
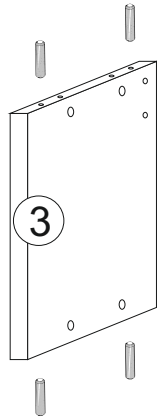
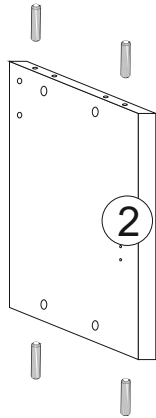
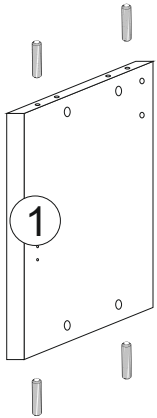
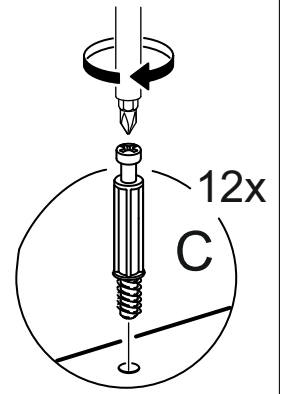
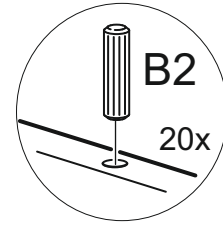
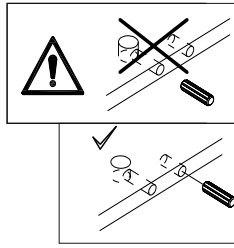
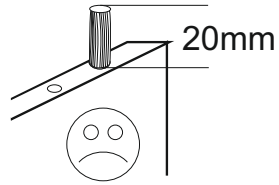
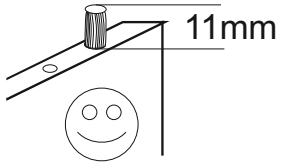




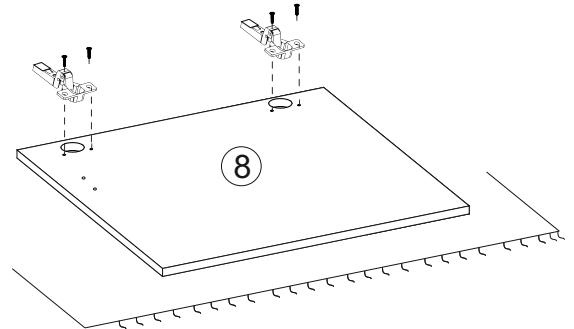
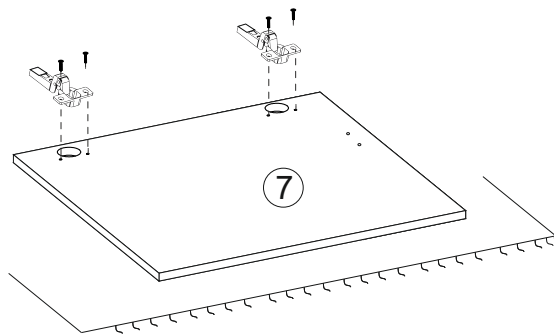
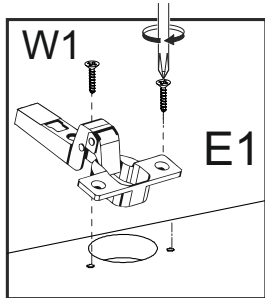
<b>W</b>  x2	<b>M.</b>  x30	<b>B2</b>  8x35mm x20	<b>C</b>  x12	<b>D</b>  x12
<b>E1</b>  x4	<b>E2</b>  x4	<b>W1 3,5x16</b>  x22	 x1	<b>H</b>  x2



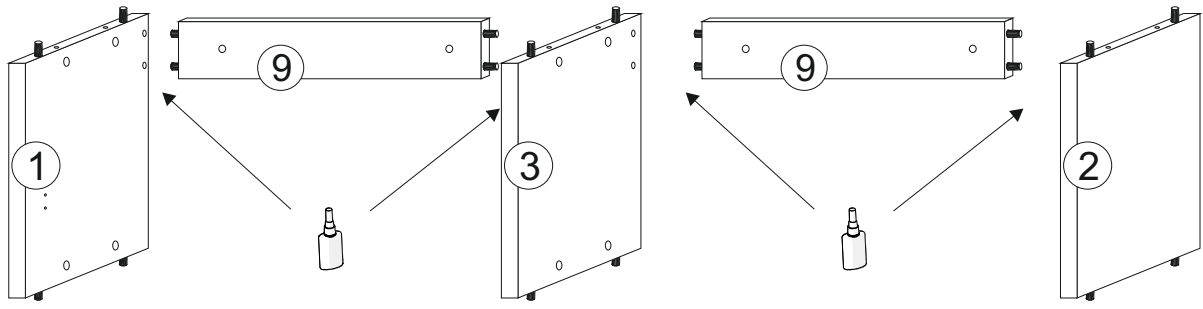
I



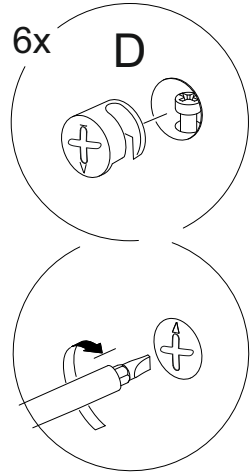
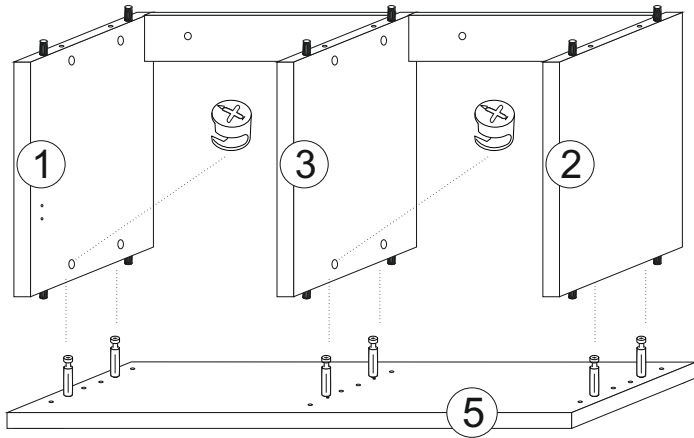
II



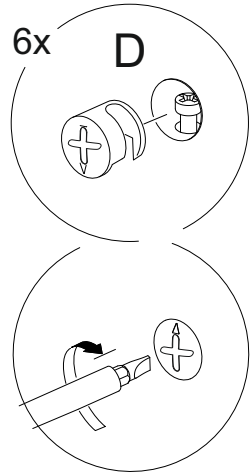
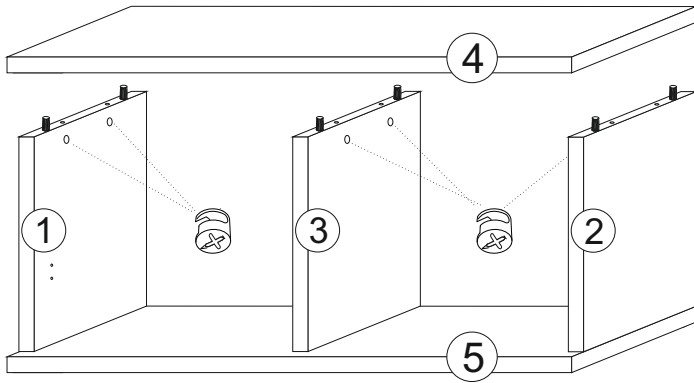
# III



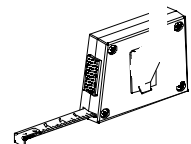
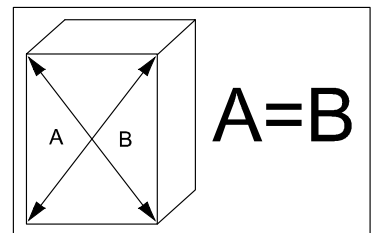
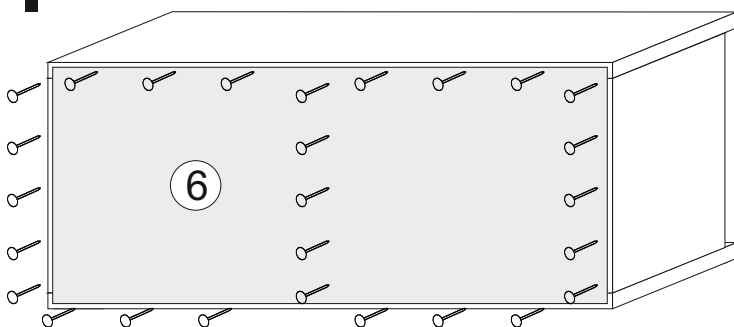
# IV



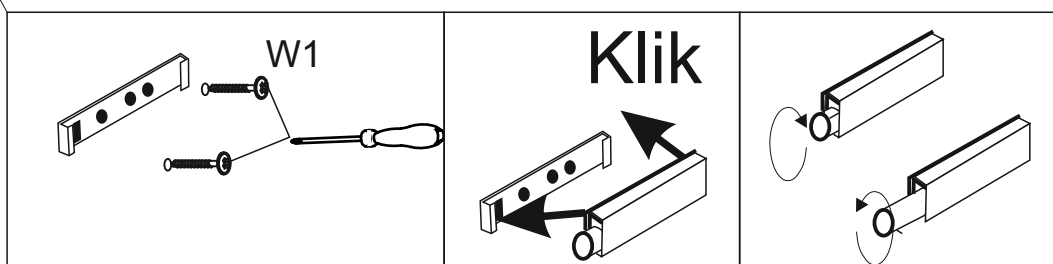
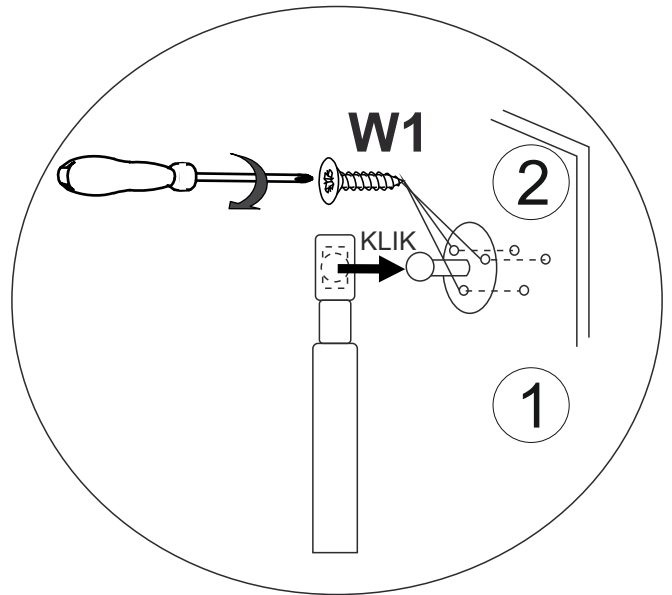
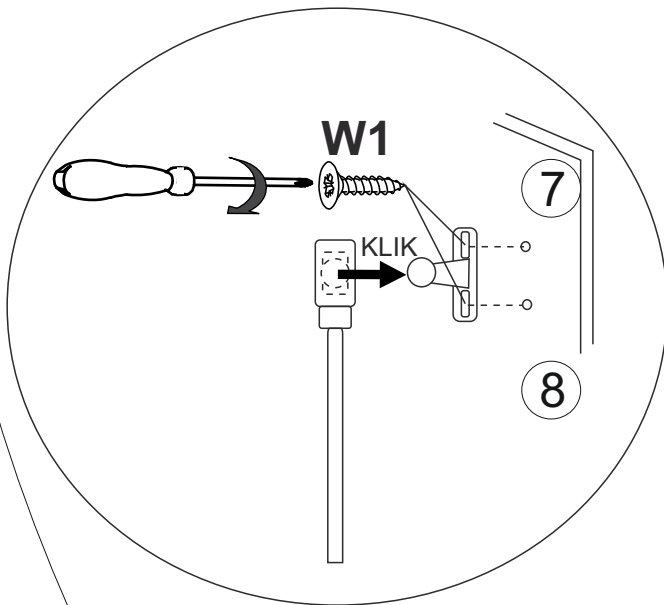
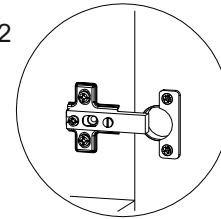
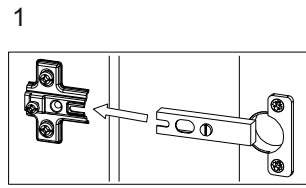
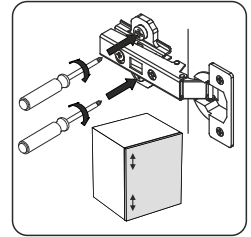
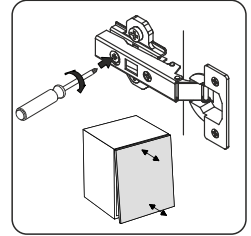
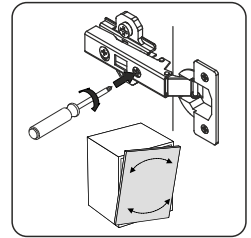
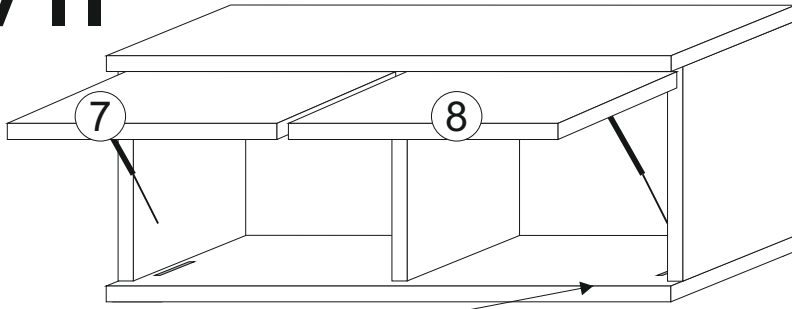
# V



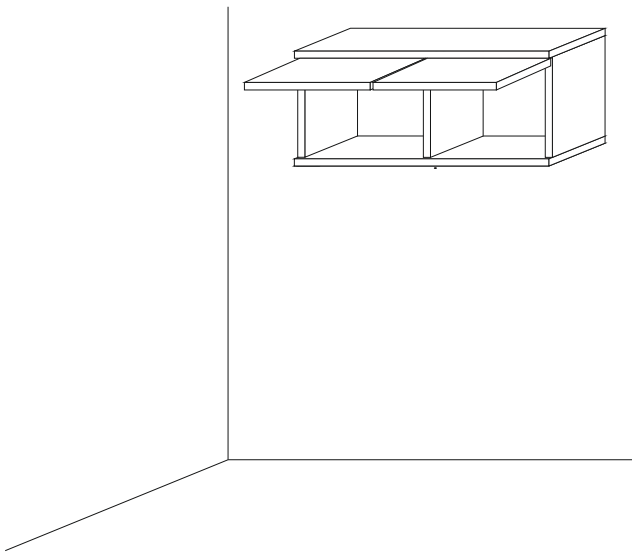
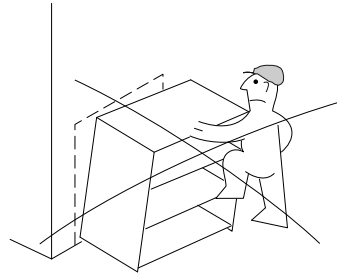
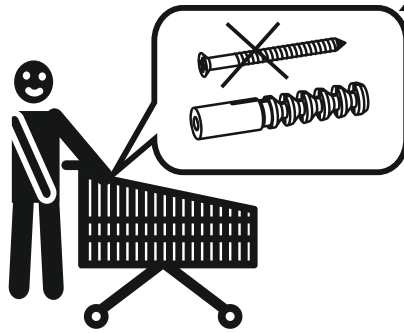
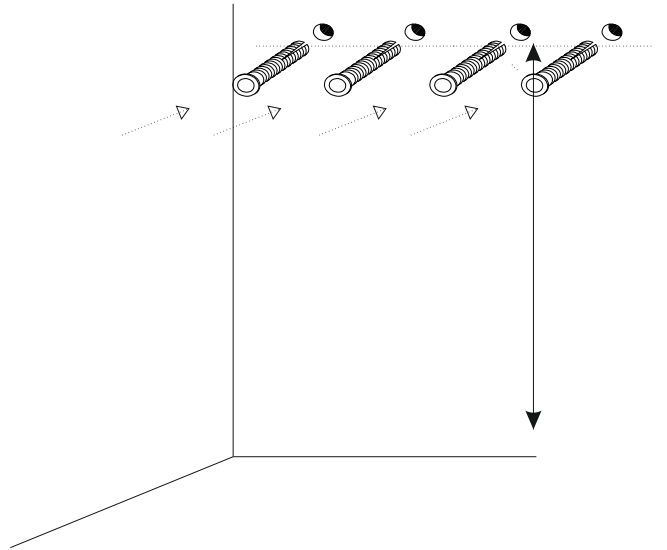
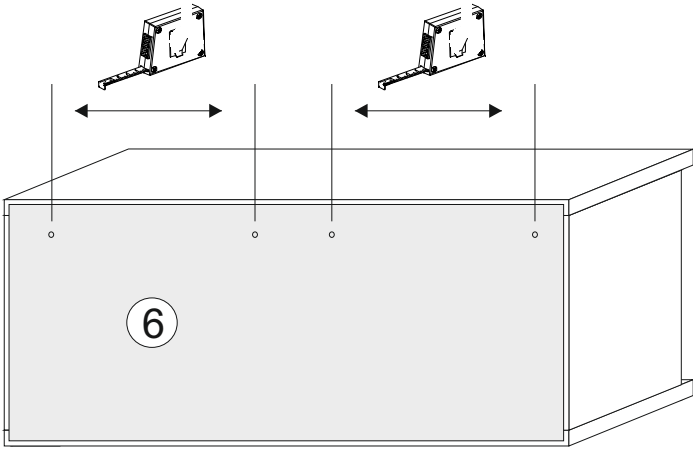
# VI

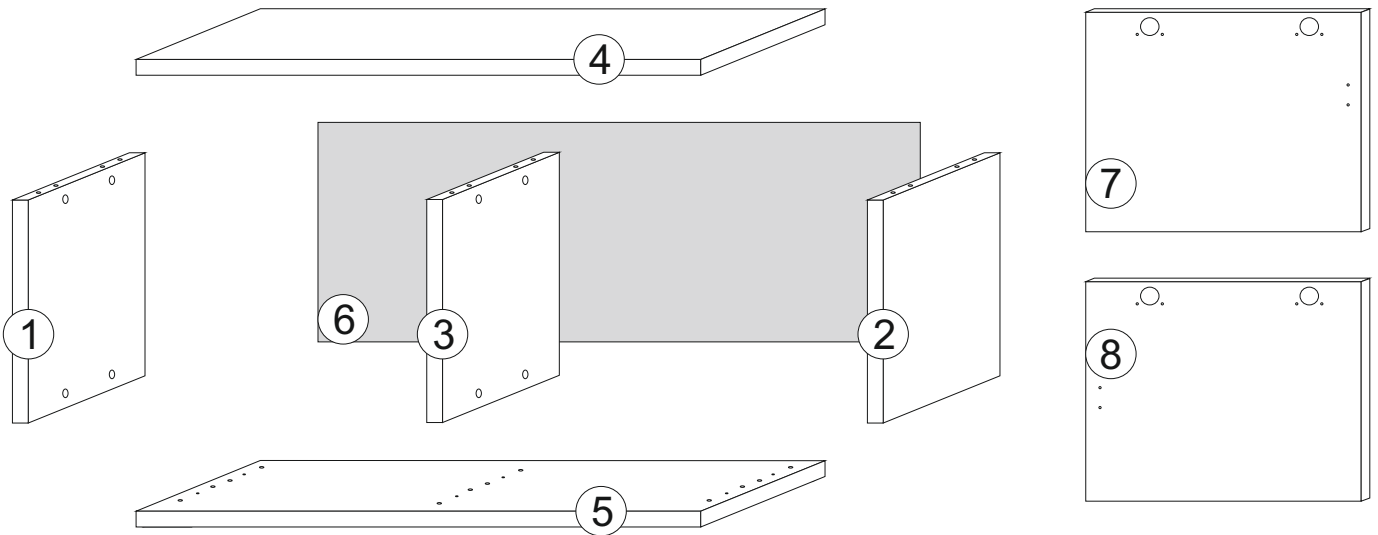
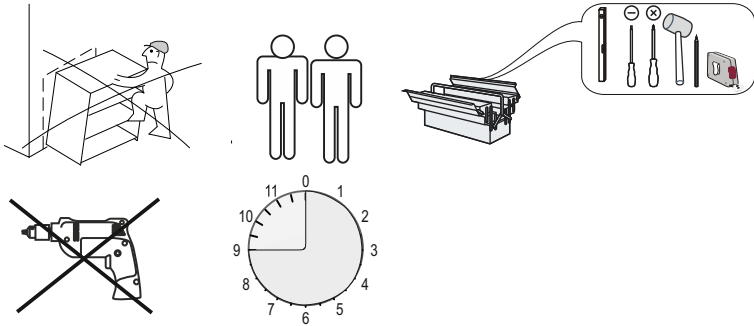
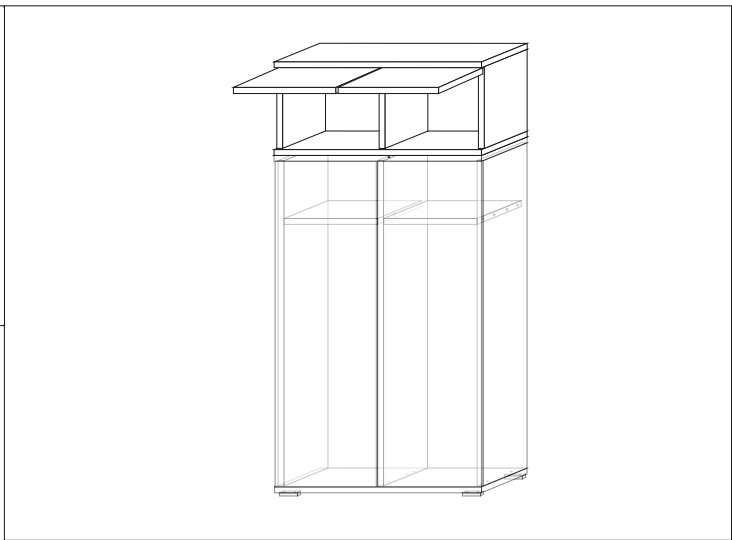
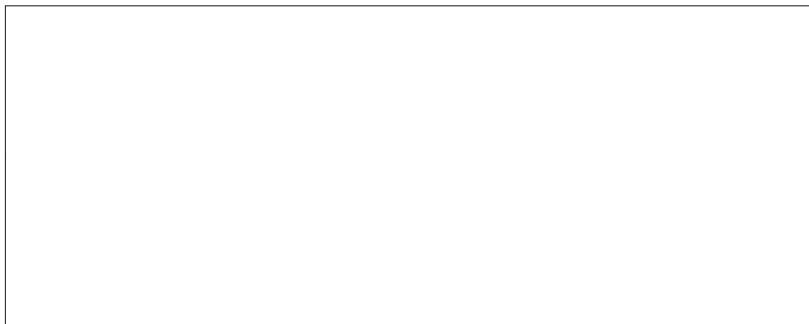


# VII



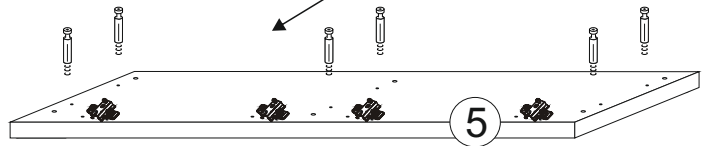
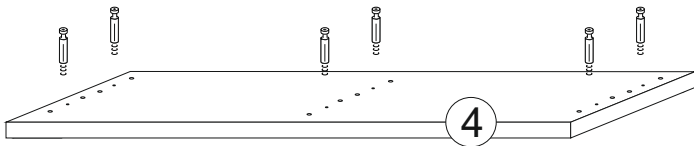
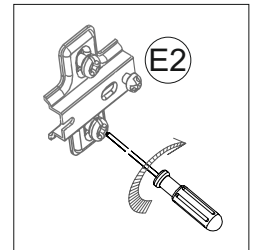
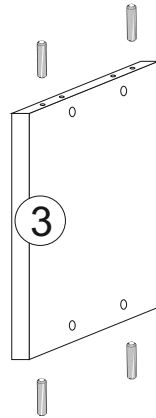
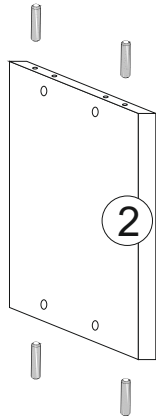
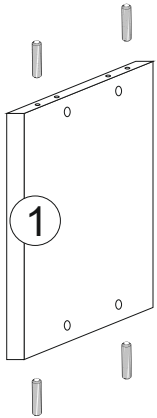
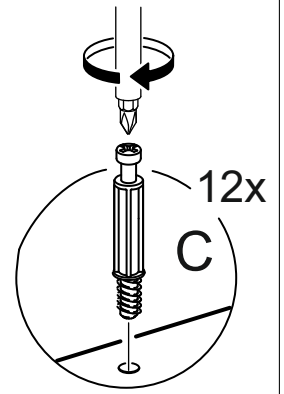
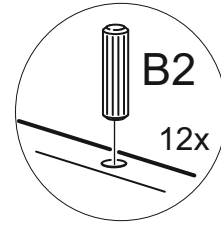
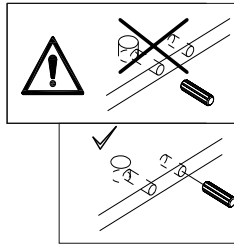
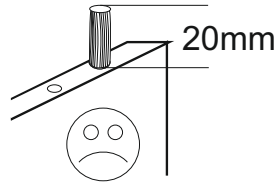
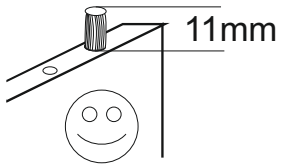
# VIII



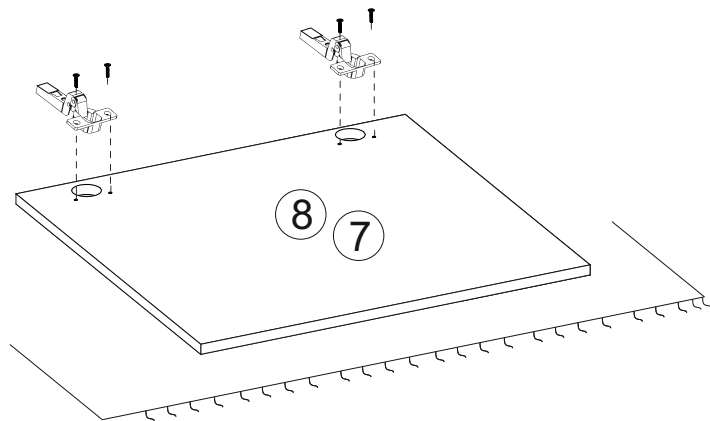
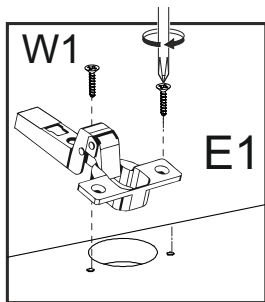


<b>W</b>  x2	<b>B1</b>  8x35mm x12	<b>B2</b>  8x30mm x6	<b>C</b>  x12	<b>D</b>  x12
<b>E1</b>  x4	<b>E2</b>  x4	<b>W1 3,5x16</b>  x22	 x1	<b>H</b>  x2
<b>A</b>  x1	<b>M.</b>  x30			

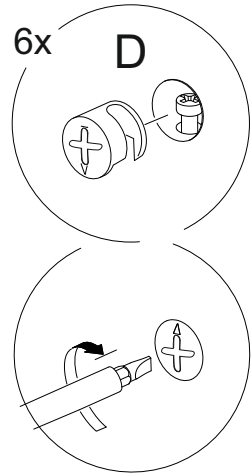
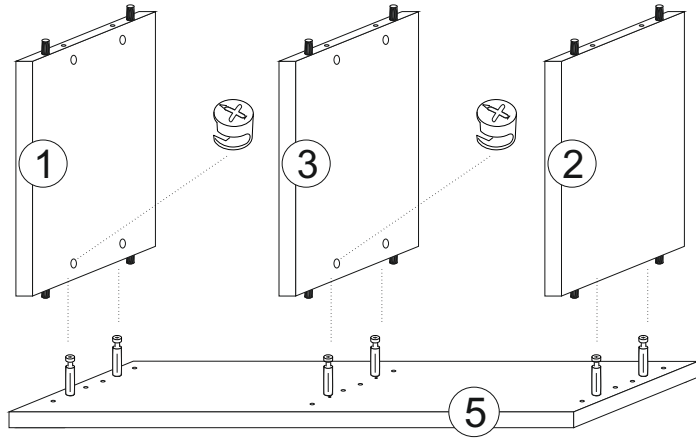
I



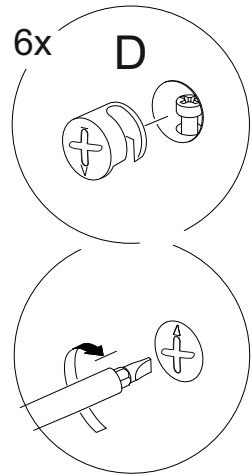
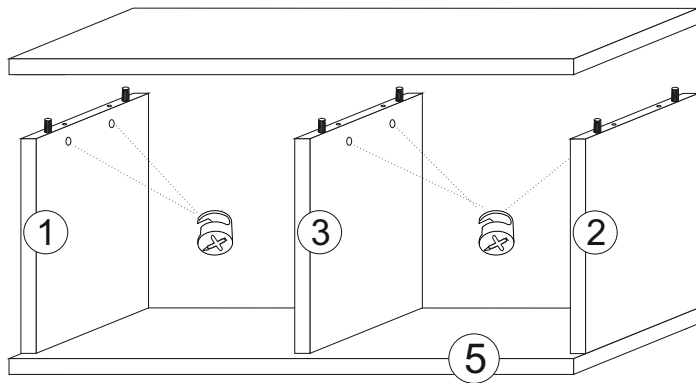
II



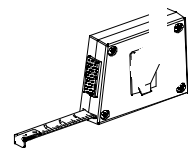
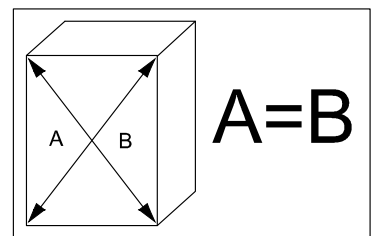
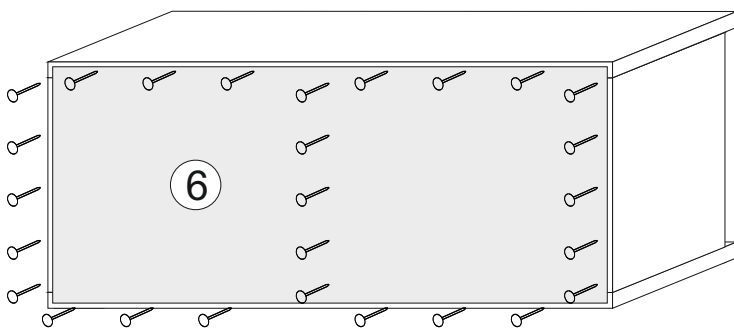
# III



# IV

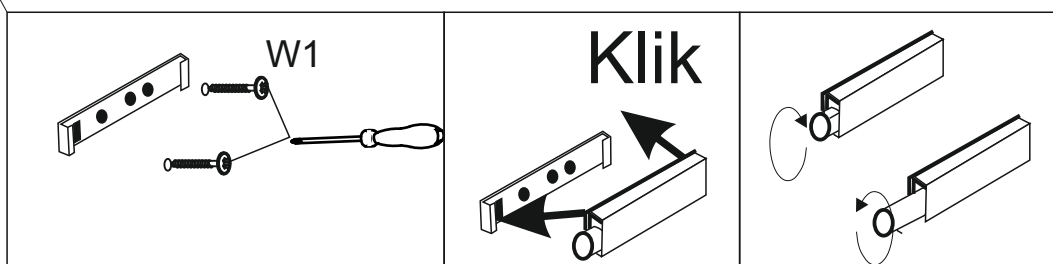
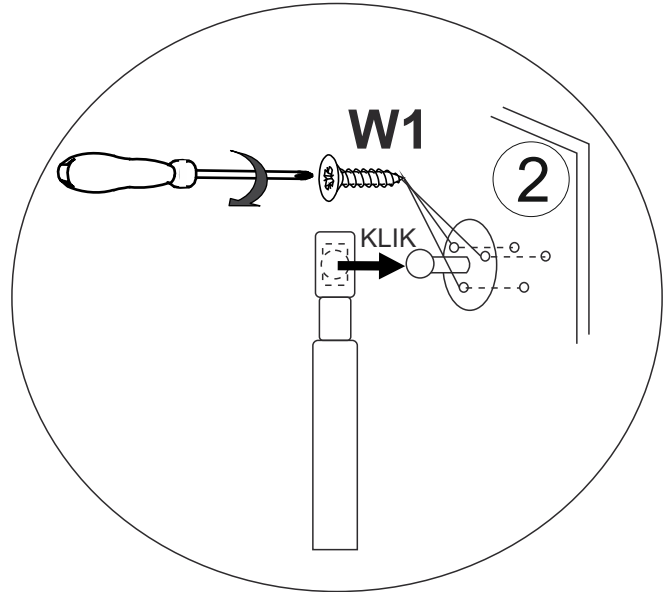
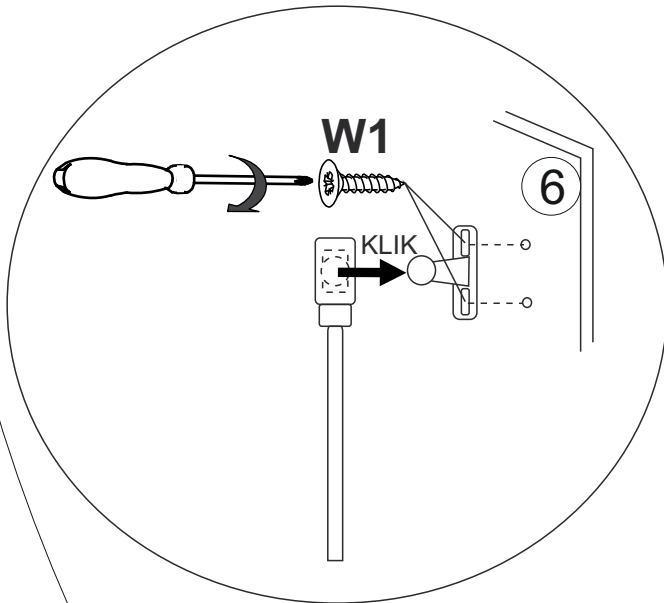
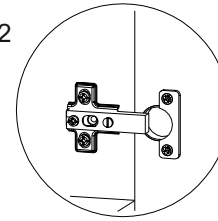
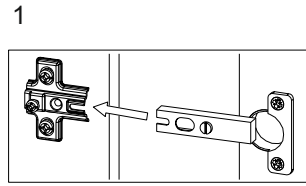
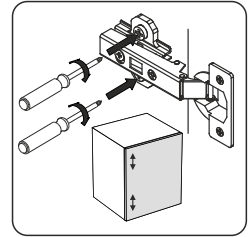
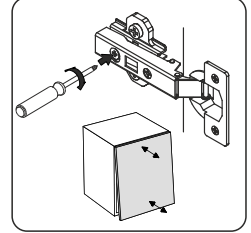
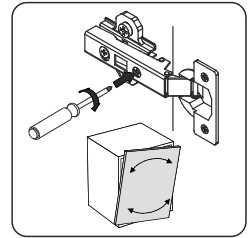
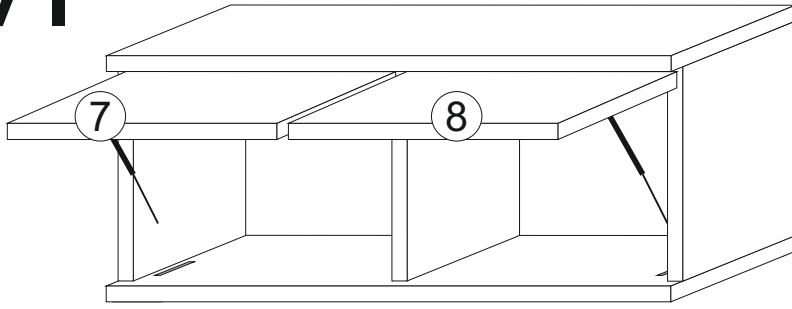


# V

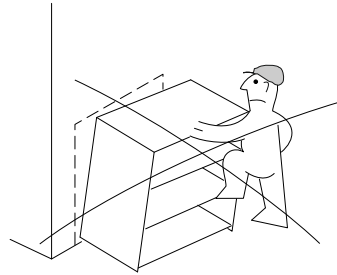
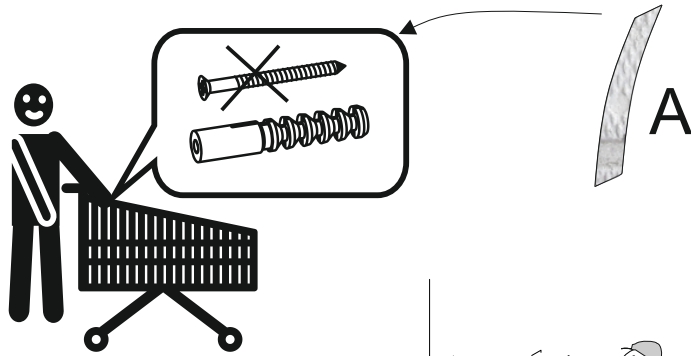
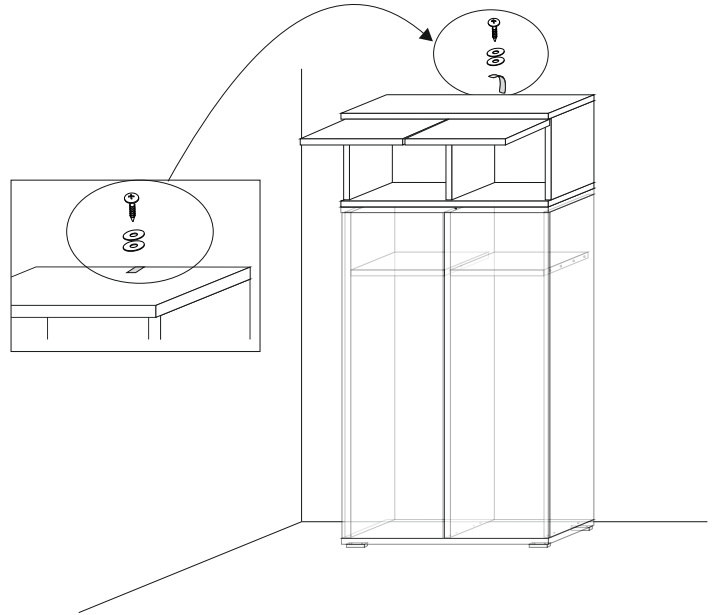
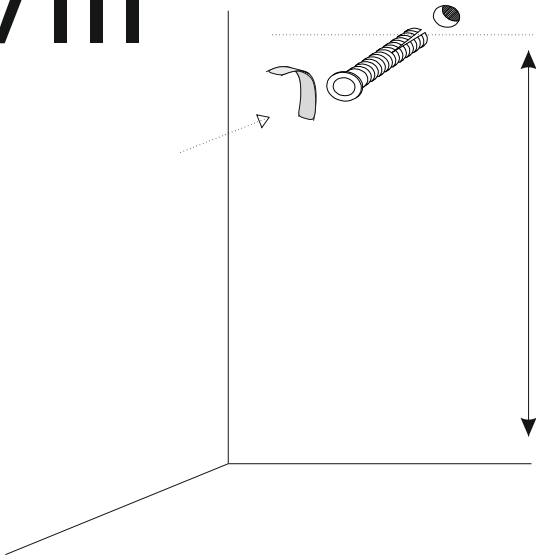




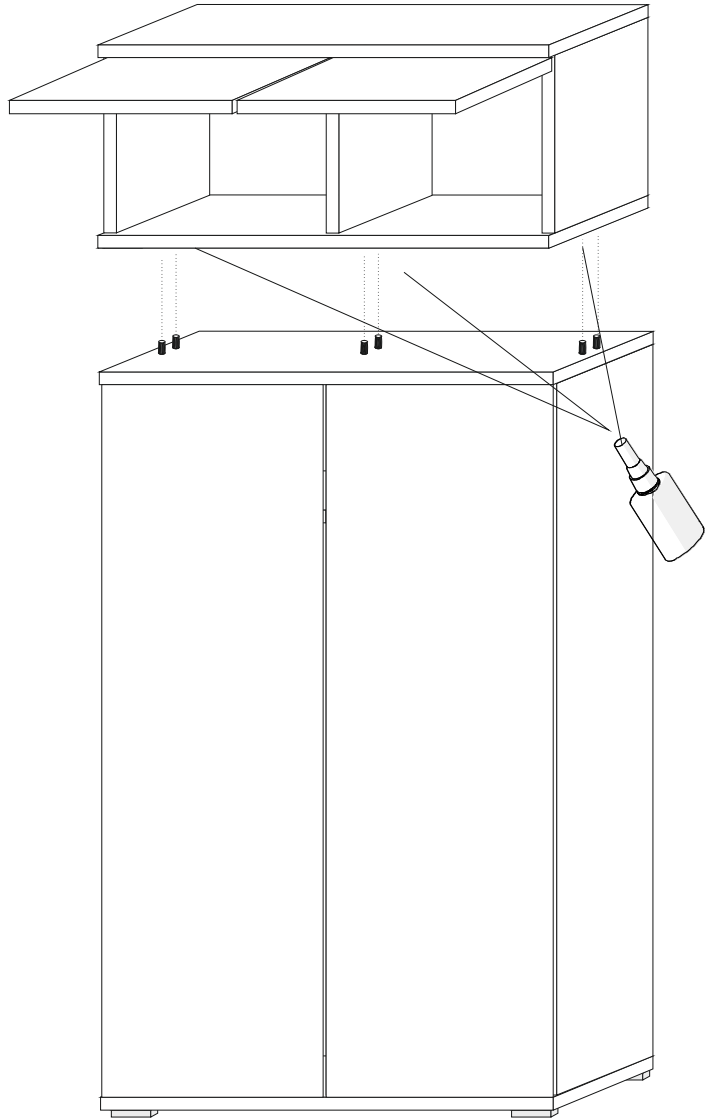
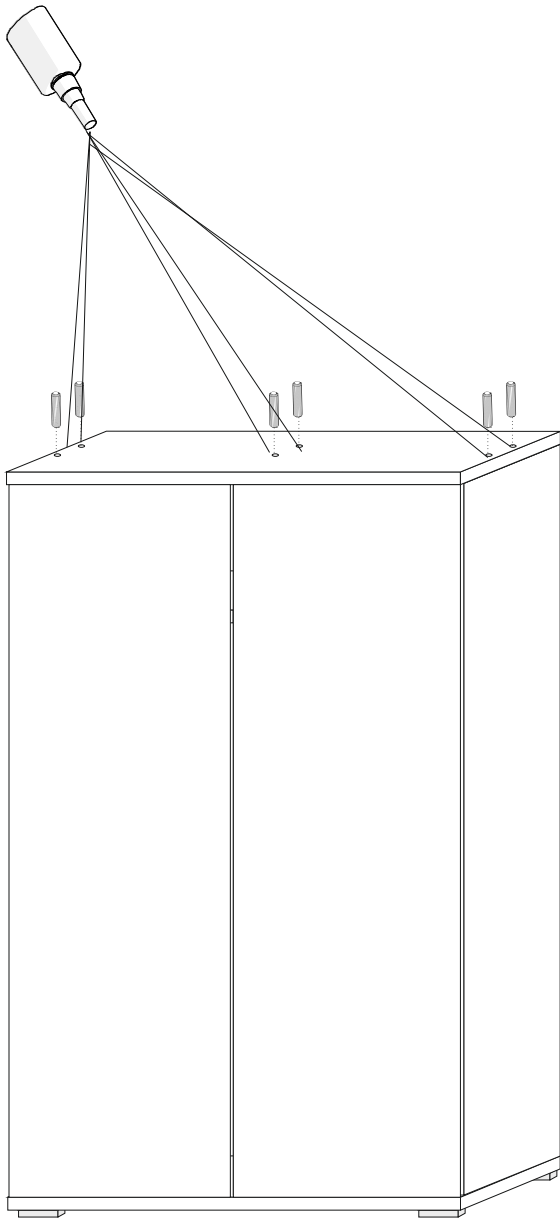
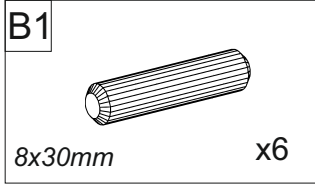
# VI

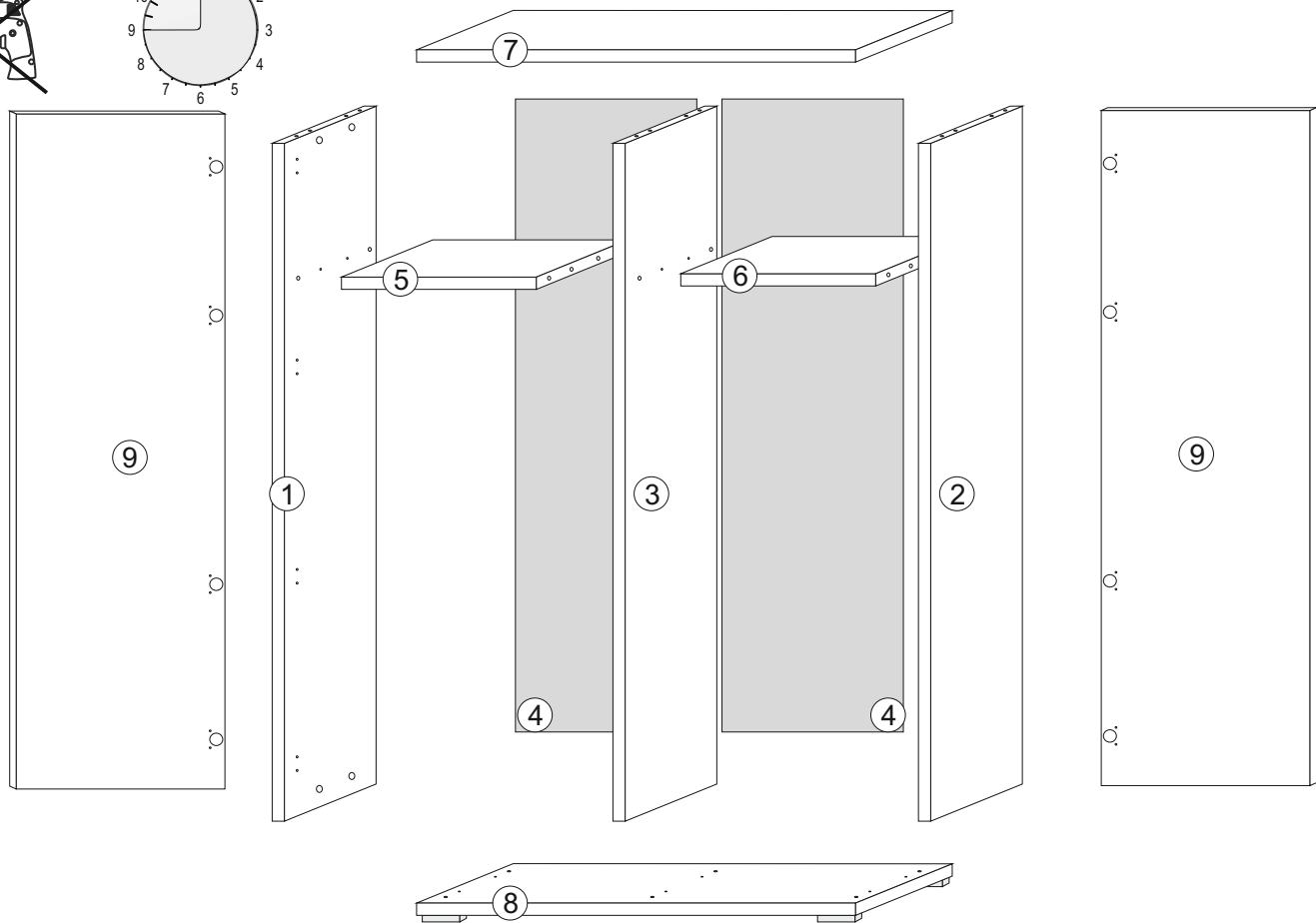
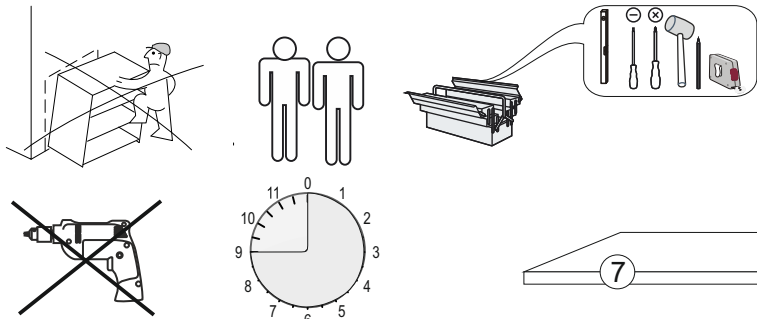
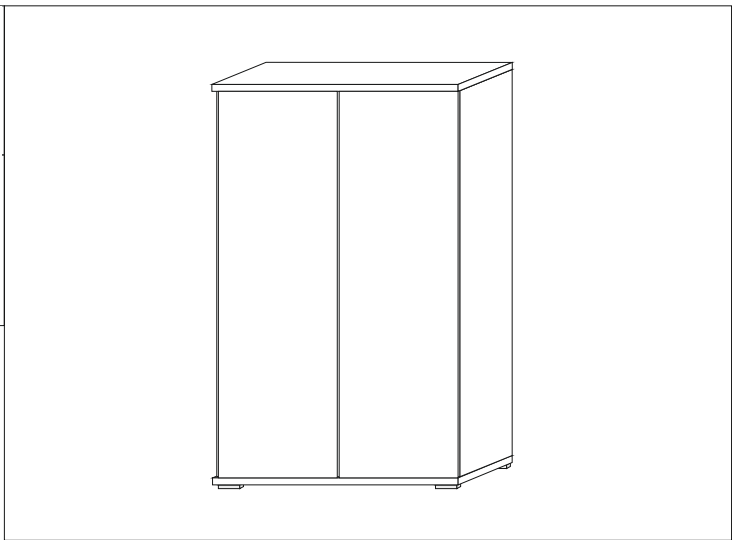
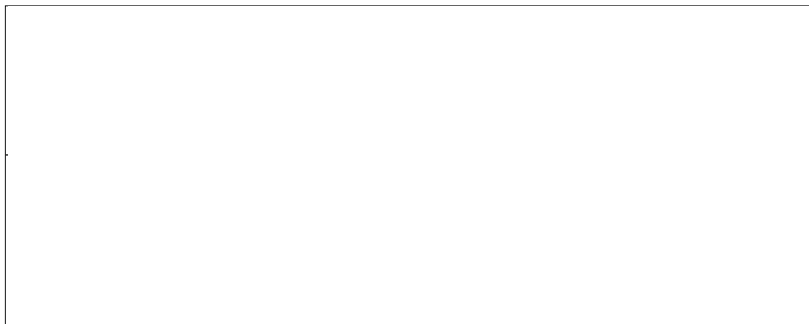


# VIII

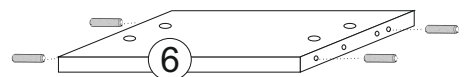
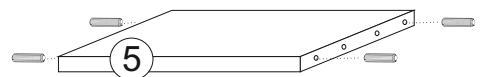
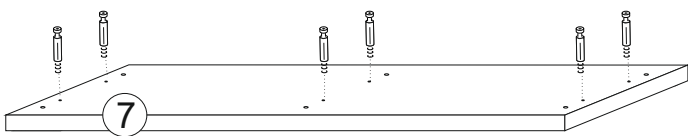
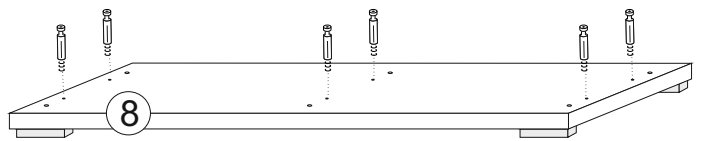
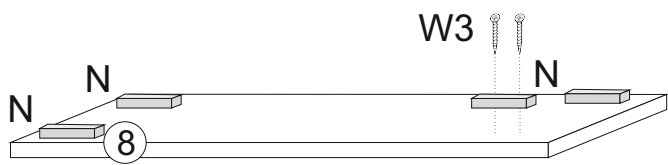
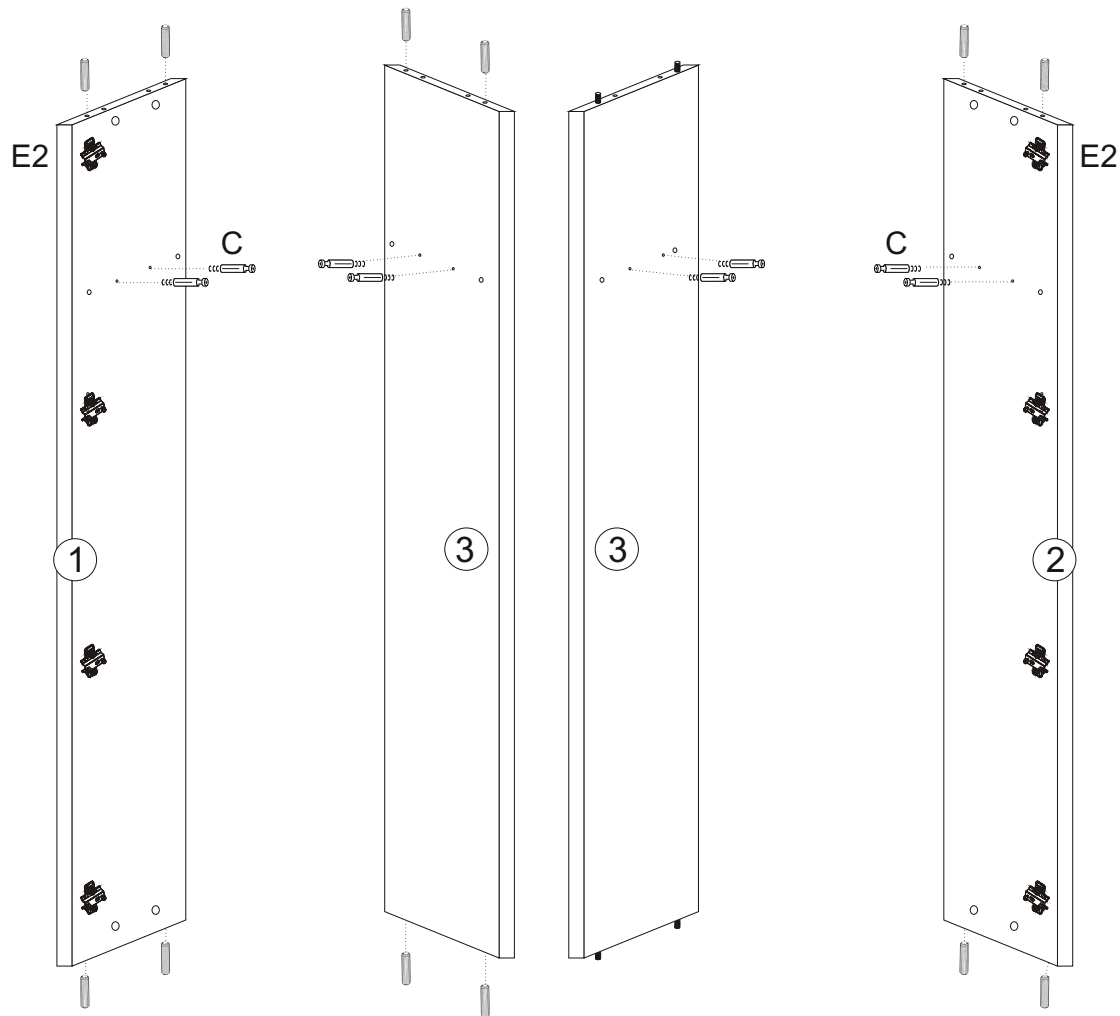
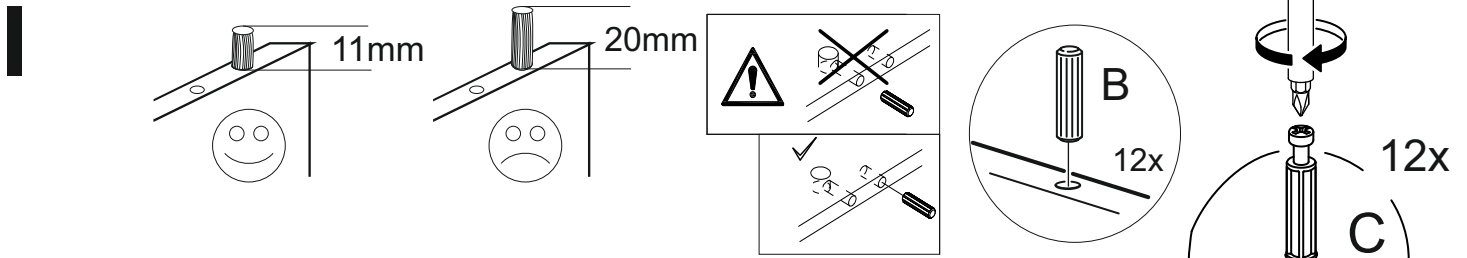


# VII

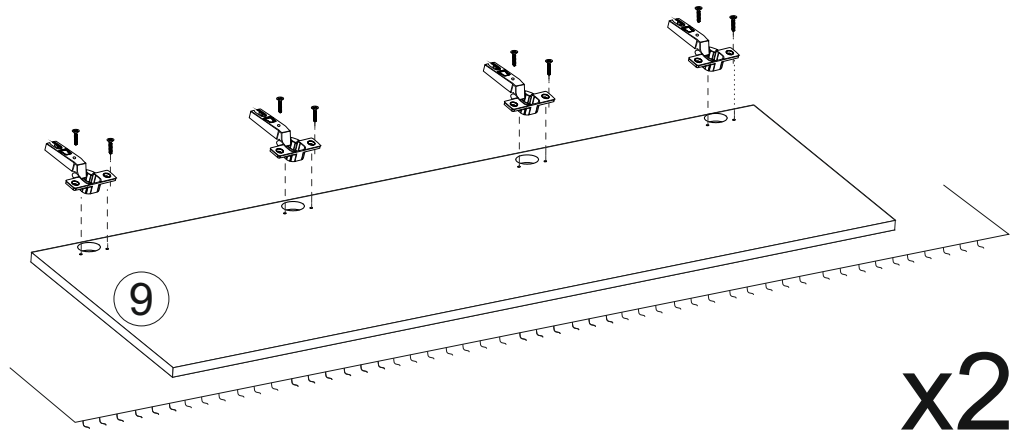
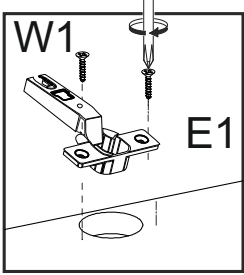




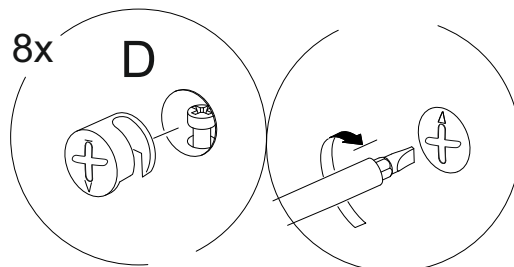
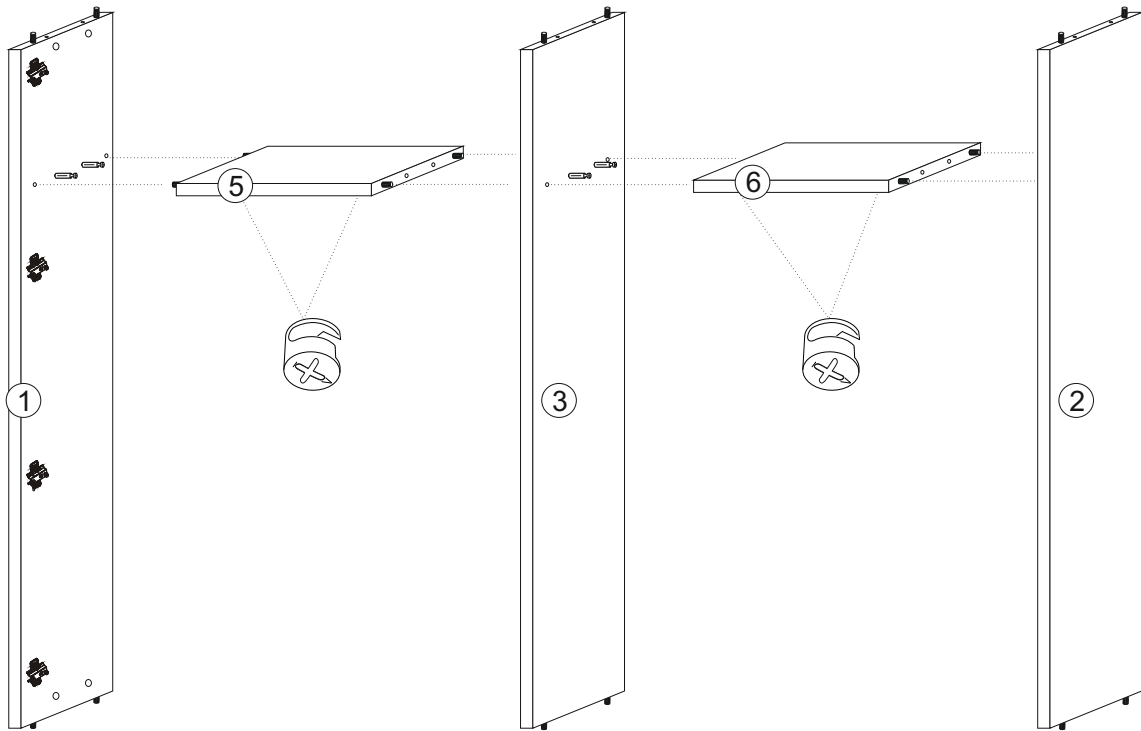
<b>B</b>  x12	<b>C</b>  x12	<b>D</b>  x12	<b>W1 3.5x16</b>  x24	<b>W3 3.5x25</b>  x8
<b>W</b>  x2	<b>E1</b>  x8	<b>E2</b>  x4	<b>G</b>  	<b>N</b>  x4
<b>K</b>  x2	<b>A</b>  x1			



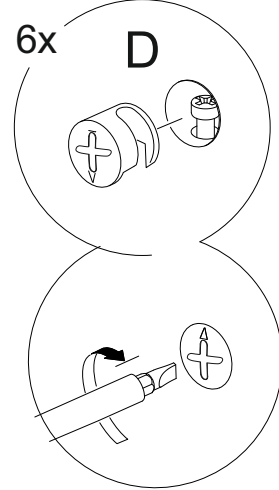
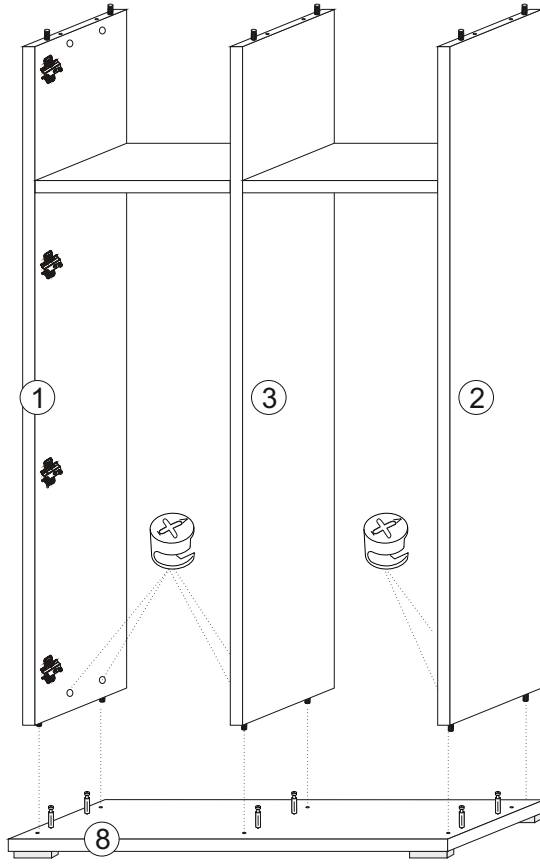
II



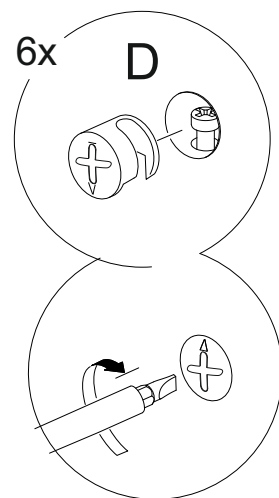
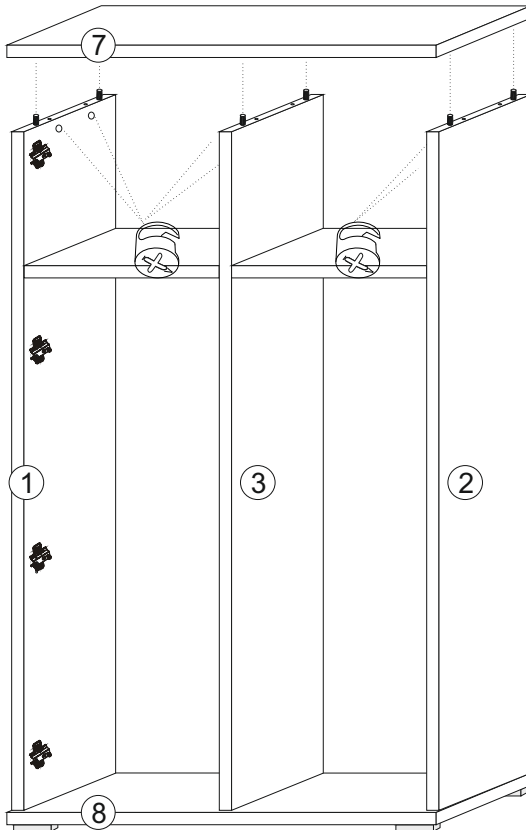
III



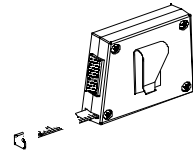
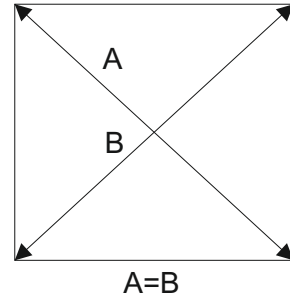
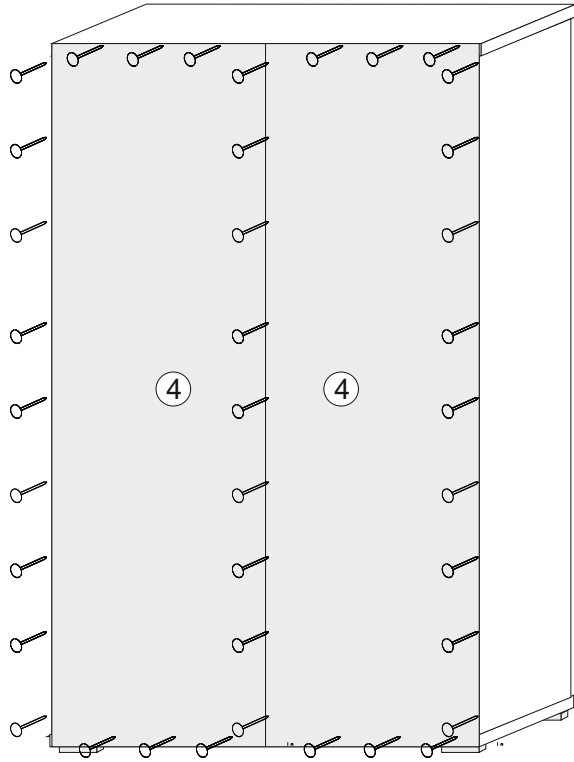
# IV



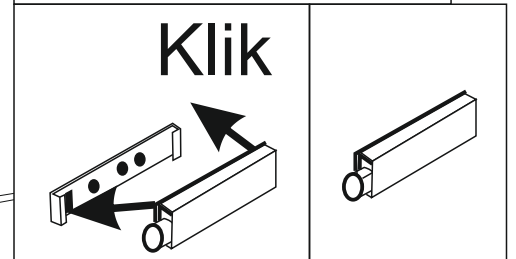
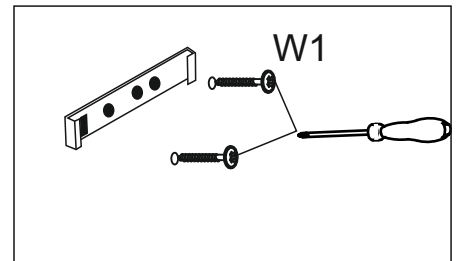
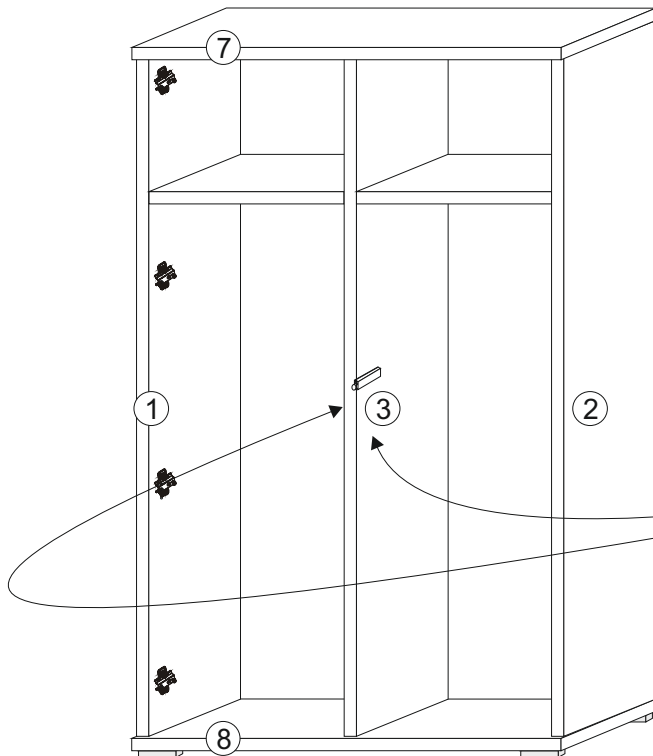
# V



# VI



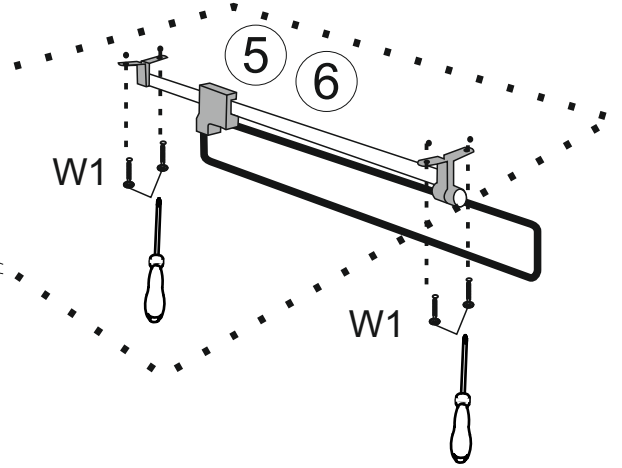
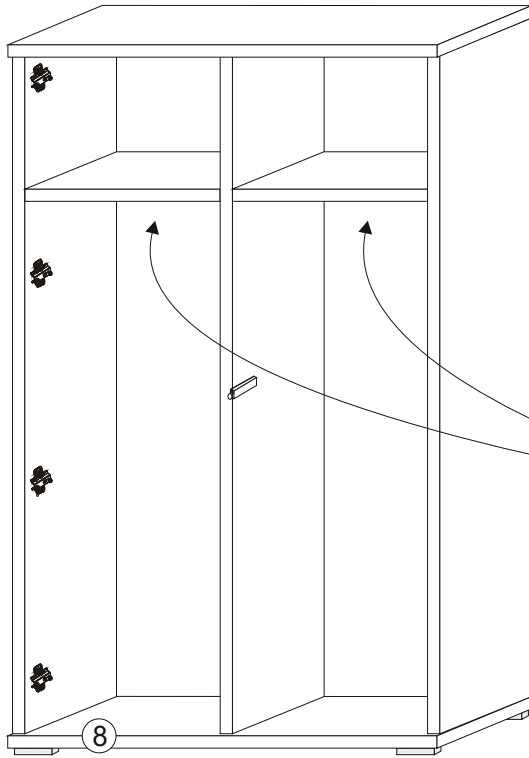
# VII



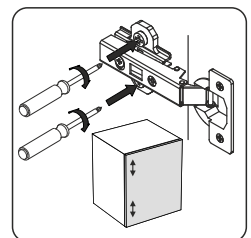
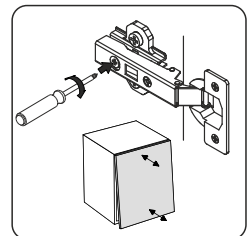
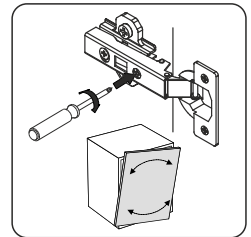
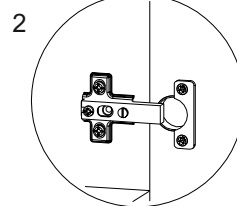
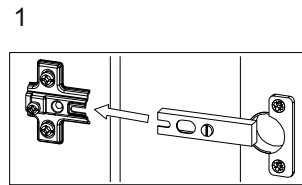
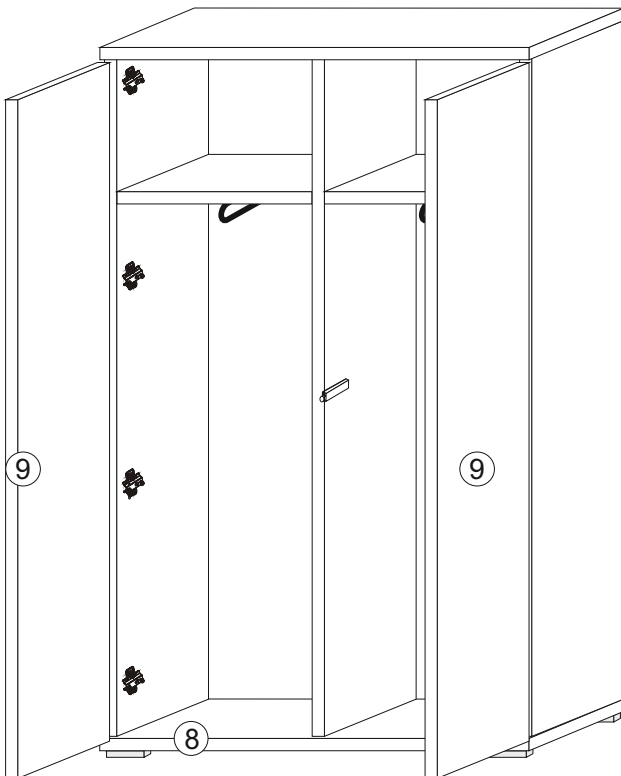
x2



# VIII



# IX



**X**

