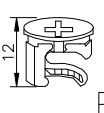
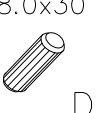

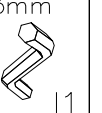
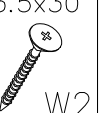

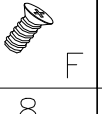
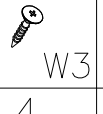

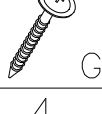

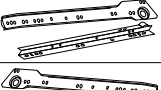

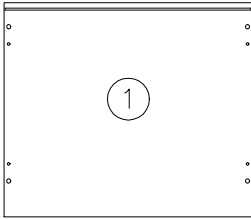
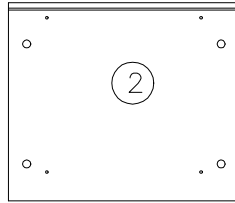
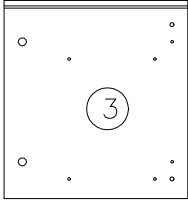
 A	 B	 D	 K	 I1	 W2	 C
12	12	16	8	1	4	4
 F	 W3	 G3	 G	 UA17	 R	 L
8	4	8	4	2	2 KPL Q5	



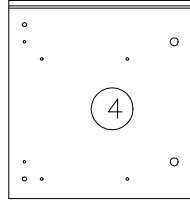
463x400x22



431x370x15



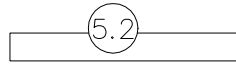
343x370x15



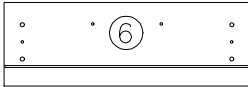
343x370x15



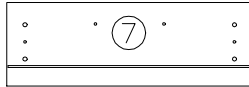
431x108x22



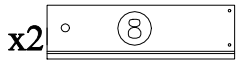
431x52x22



459x156x15



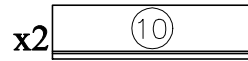
459x156x15



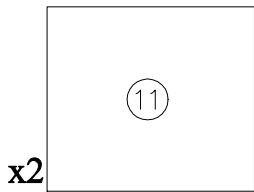
350x100x15



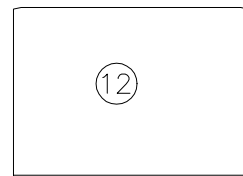
350x100x15



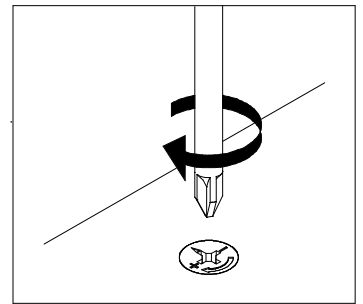
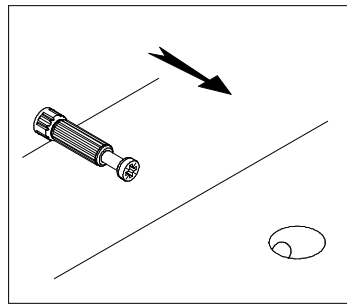
376x100x15



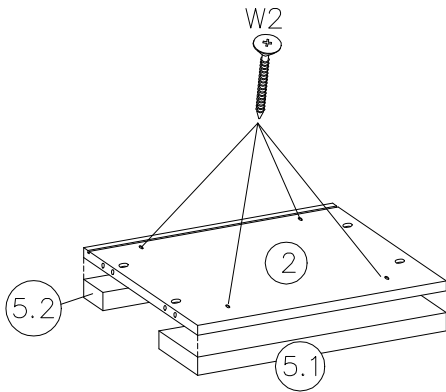
387x344x3



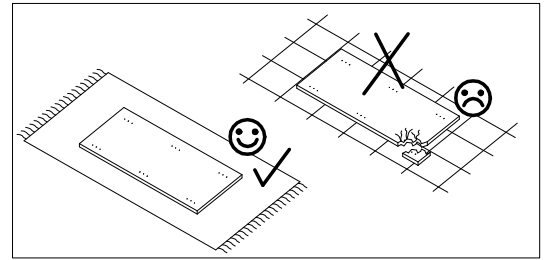
313x438x3



1

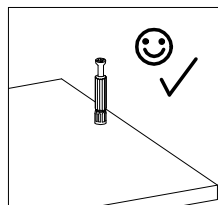
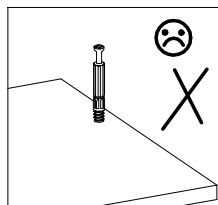
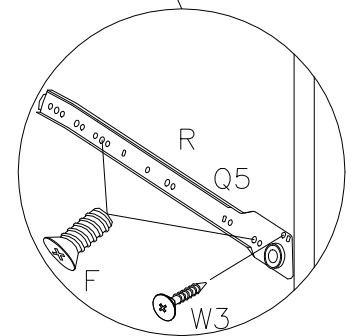
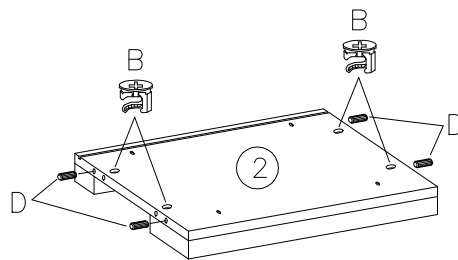
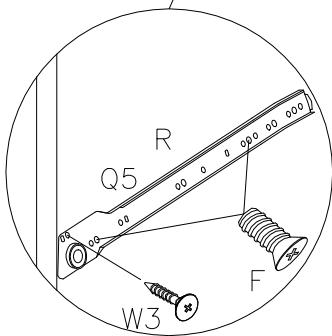
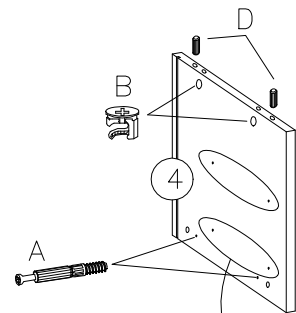
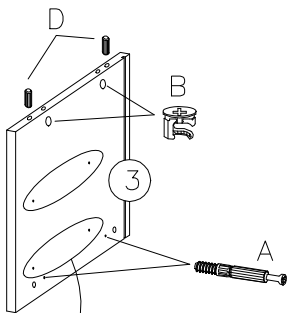
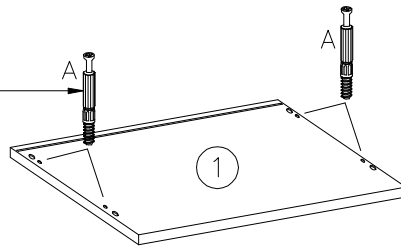
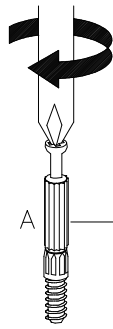


3.5x30
W2
4

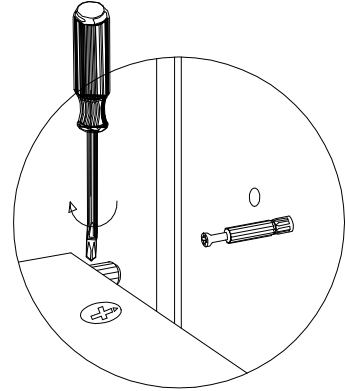
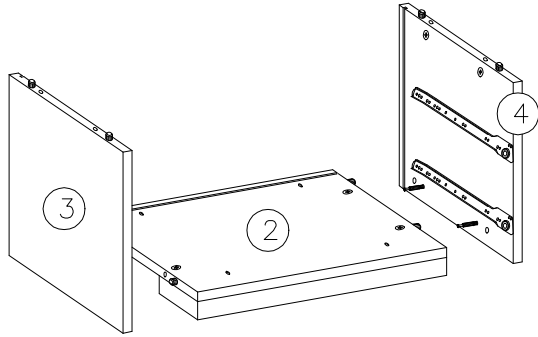


2

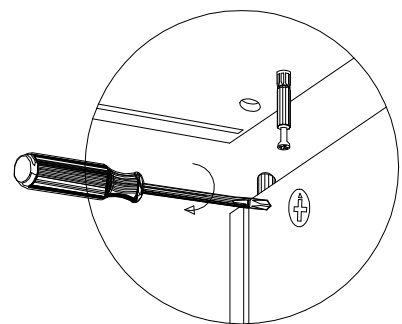
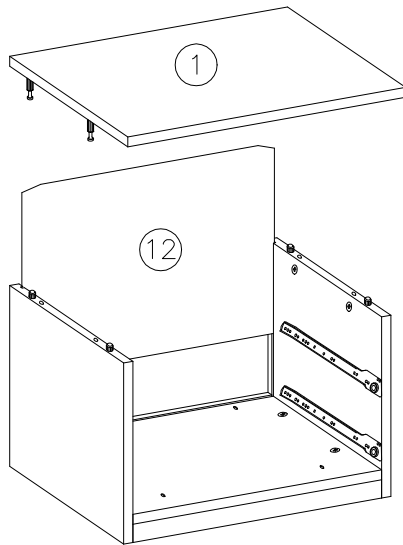
A	B	8.0x30	6.3x13	3.0x13	R
8	8	8	8	4	L Q5
2 KPL					



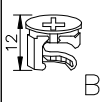

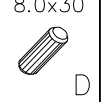
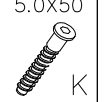
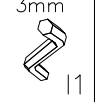
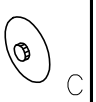
3

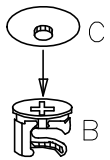
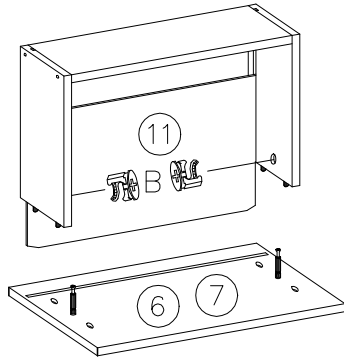
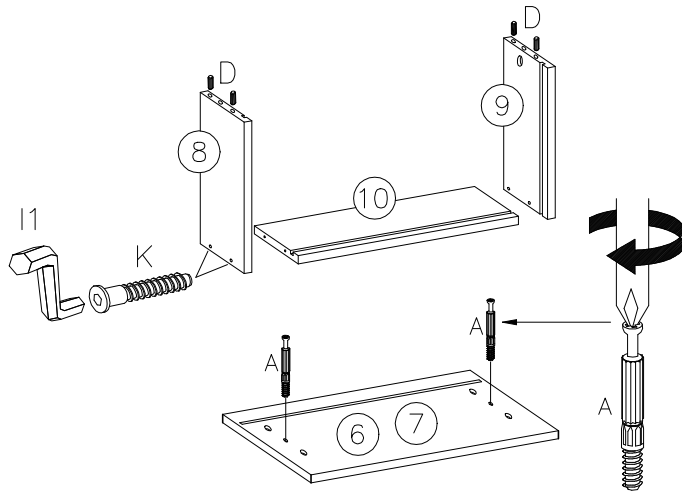


4

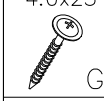

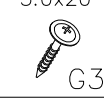
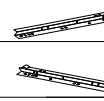


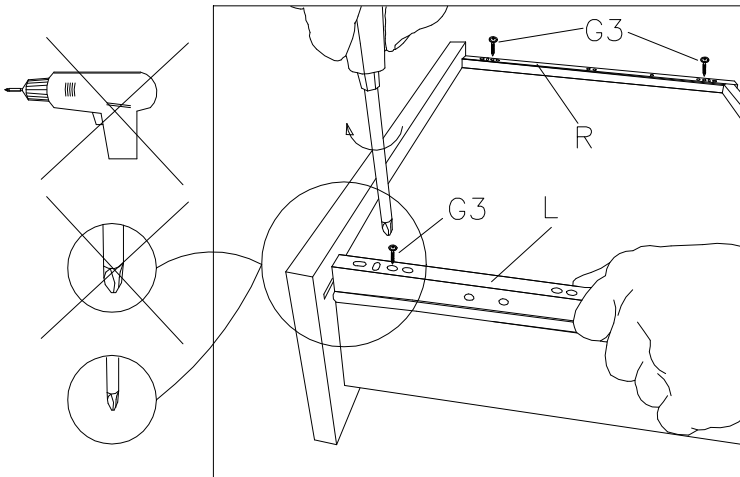
5

		8.0x30 	5.0x50 	3mm 	
4	4	8	8	1	4



6

4.0x25 	L-150 	3.0x20 	
4	2	8	2 KPL



X2

