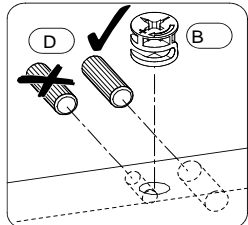
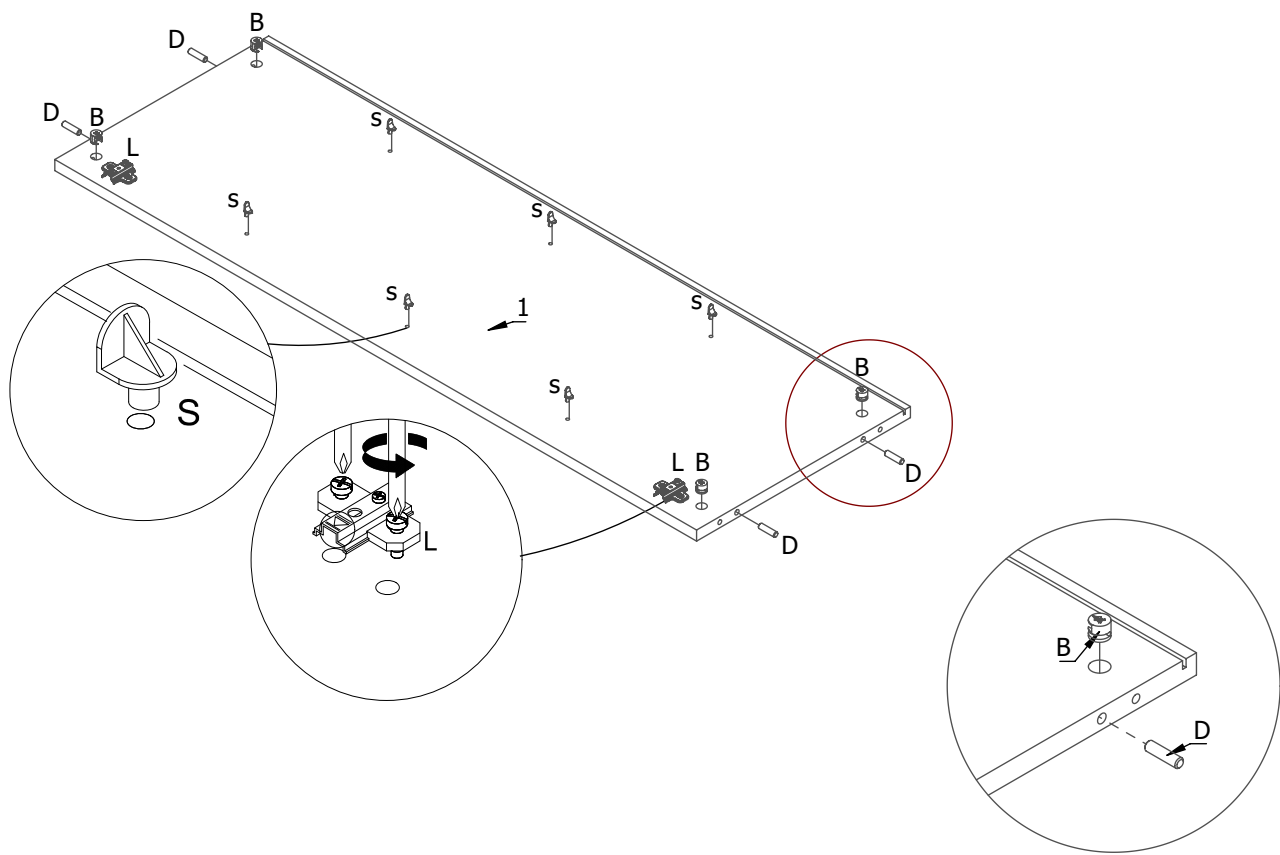
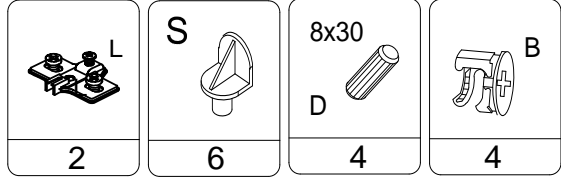
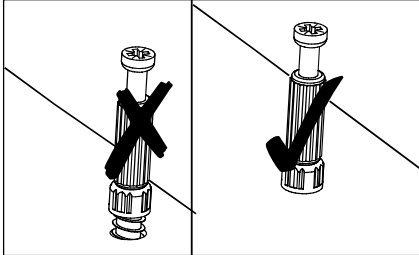
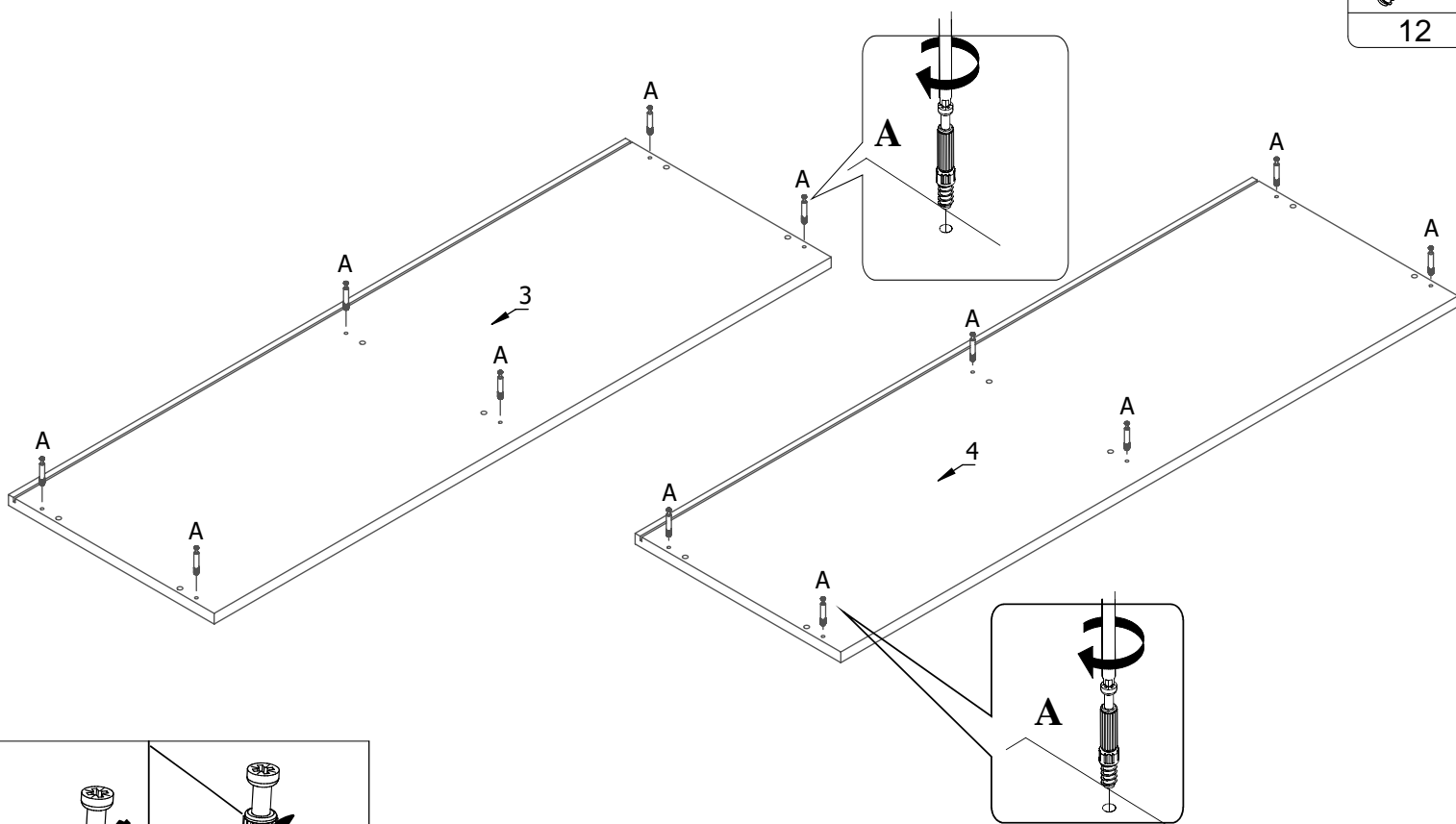
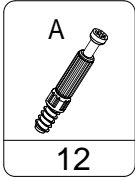
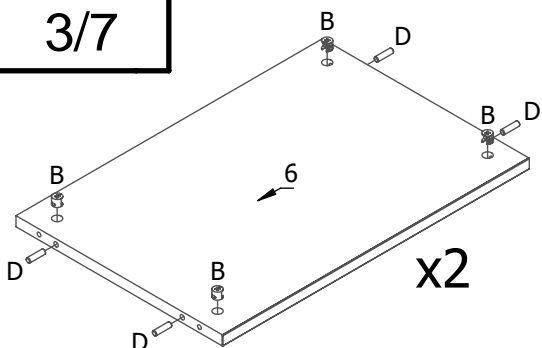


<p>8x30 D 20</p>	<p>A 20</p>	<p>B 20</p>	<p>X 20</p>	<p>Z 6</p>
<p>I 10</p>	<p>ODB 3</p>	<p>3x13 H3 6</p>	<p>MS 1</p>	<p>4.0x30 H4 6</p>
<p>L 6</p>	<p>4x16 H 13</p>	<p>S 12</p>		



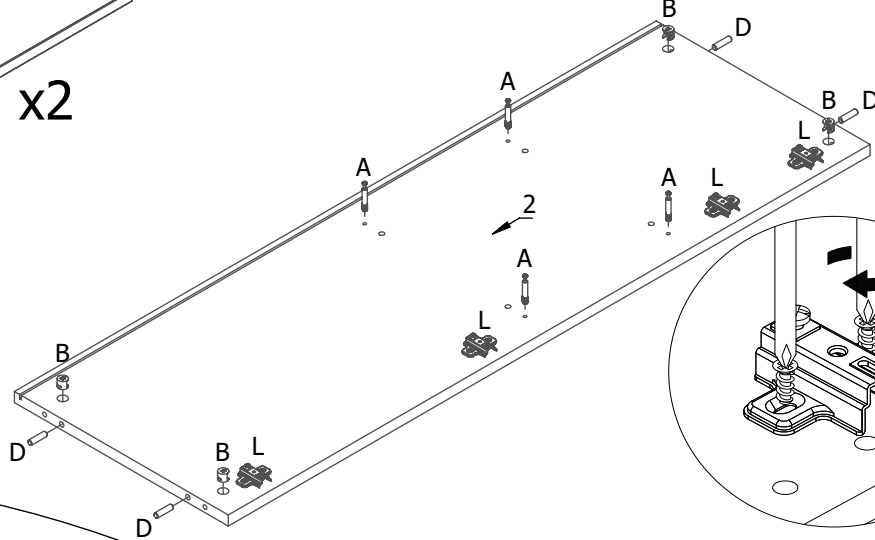


S	6
---	---

8x30	16
------	----

B	16
---	----

x2

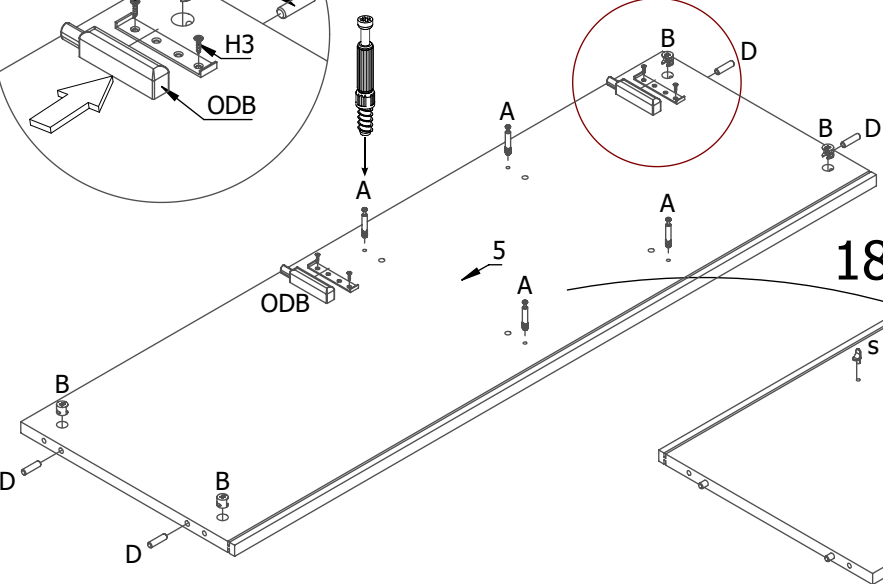
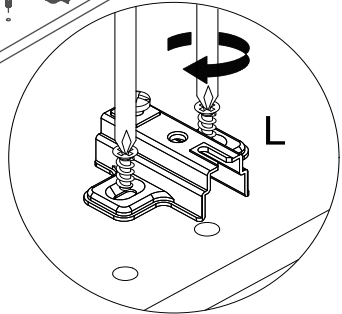
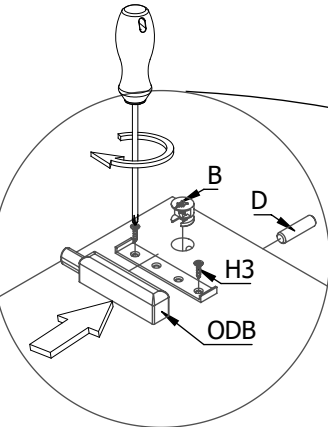


L	4
---	---

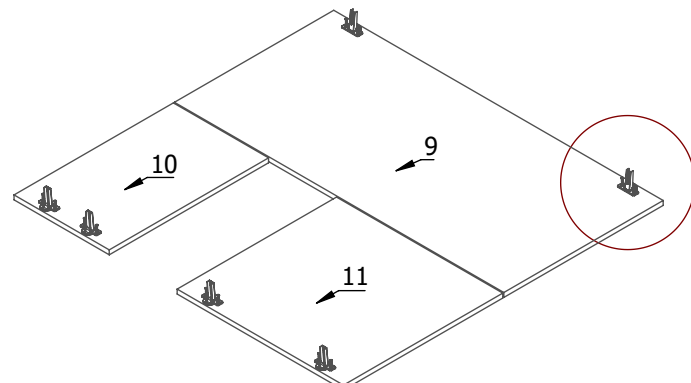
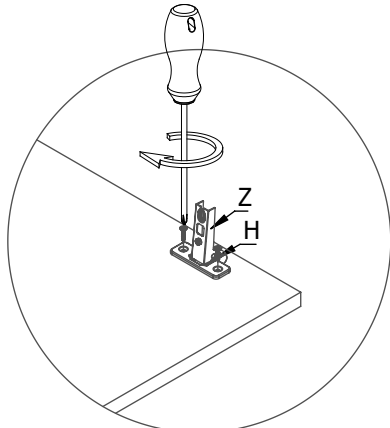
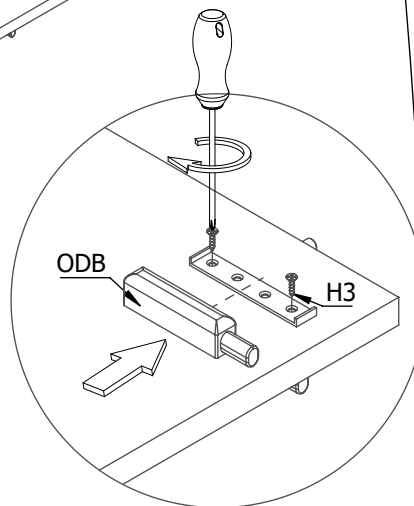
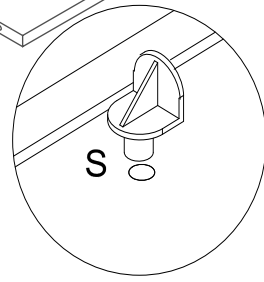
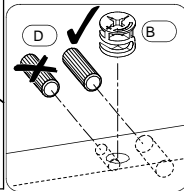
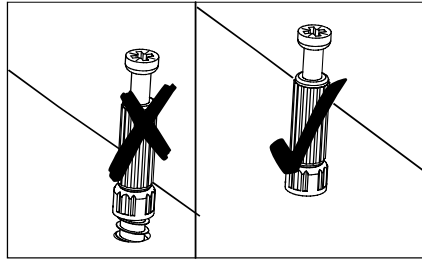
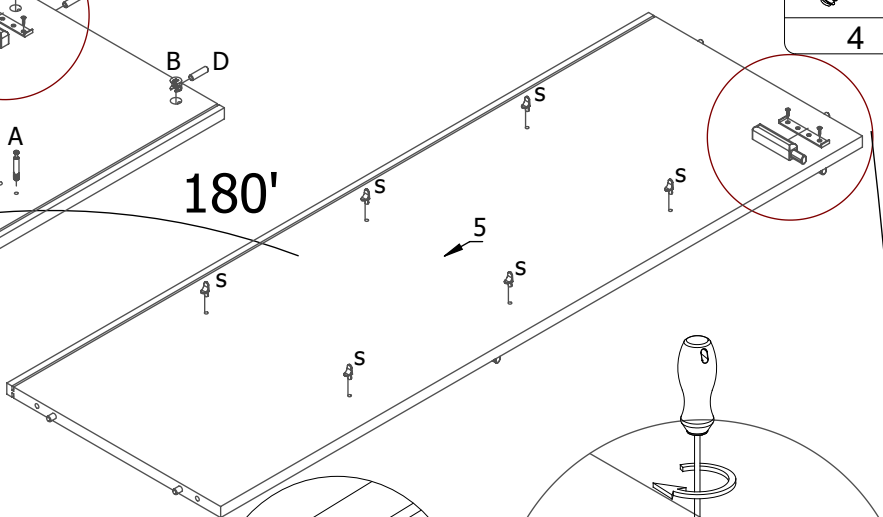
ODB	3
-----	---

3x13	6
------	---

A	4
---	---

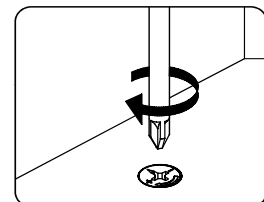
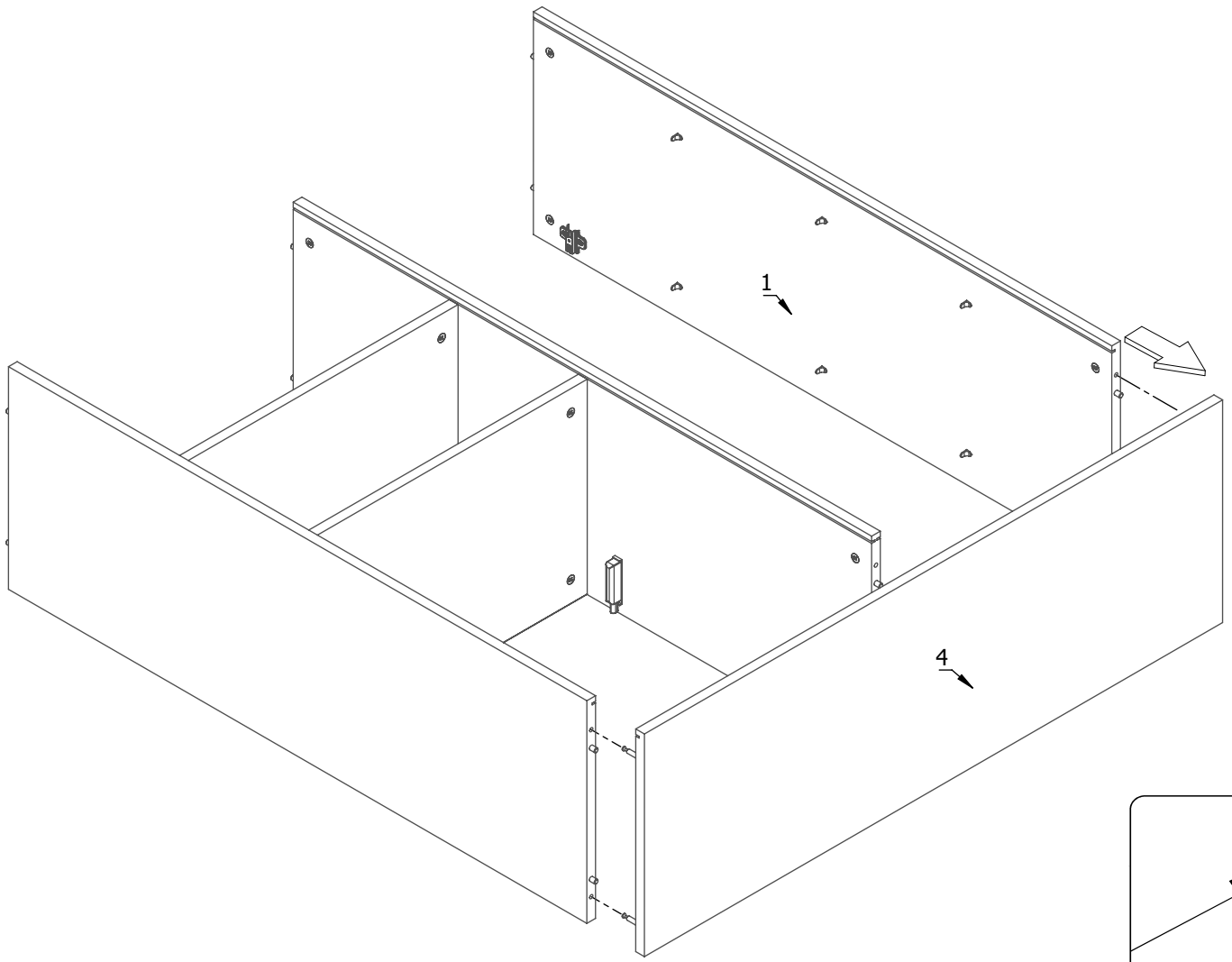
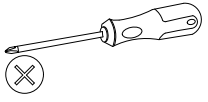
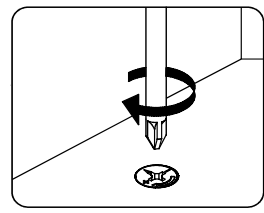
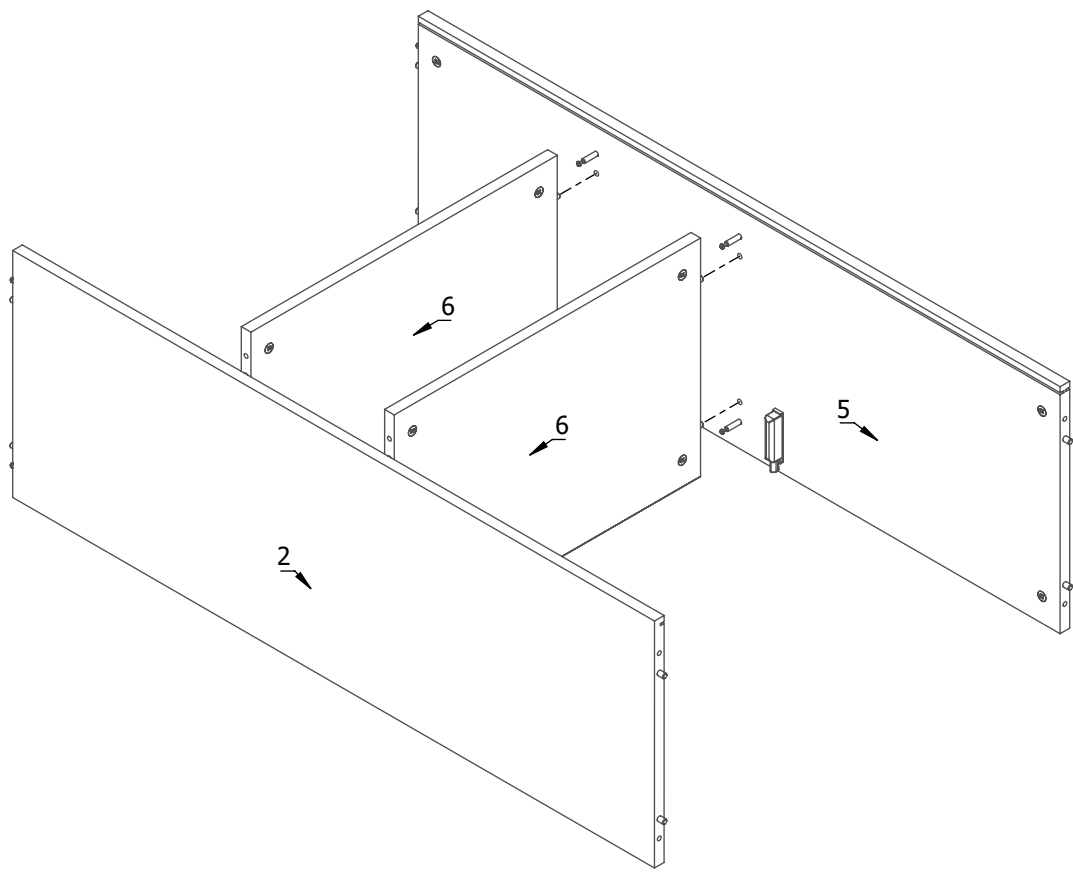
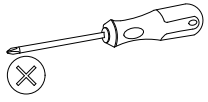


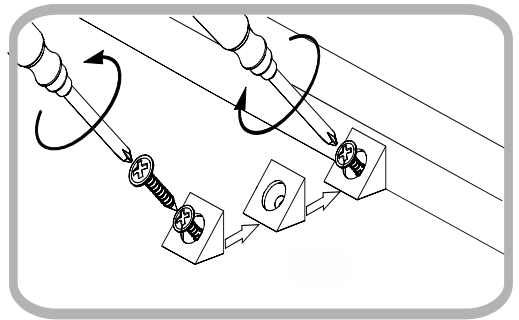
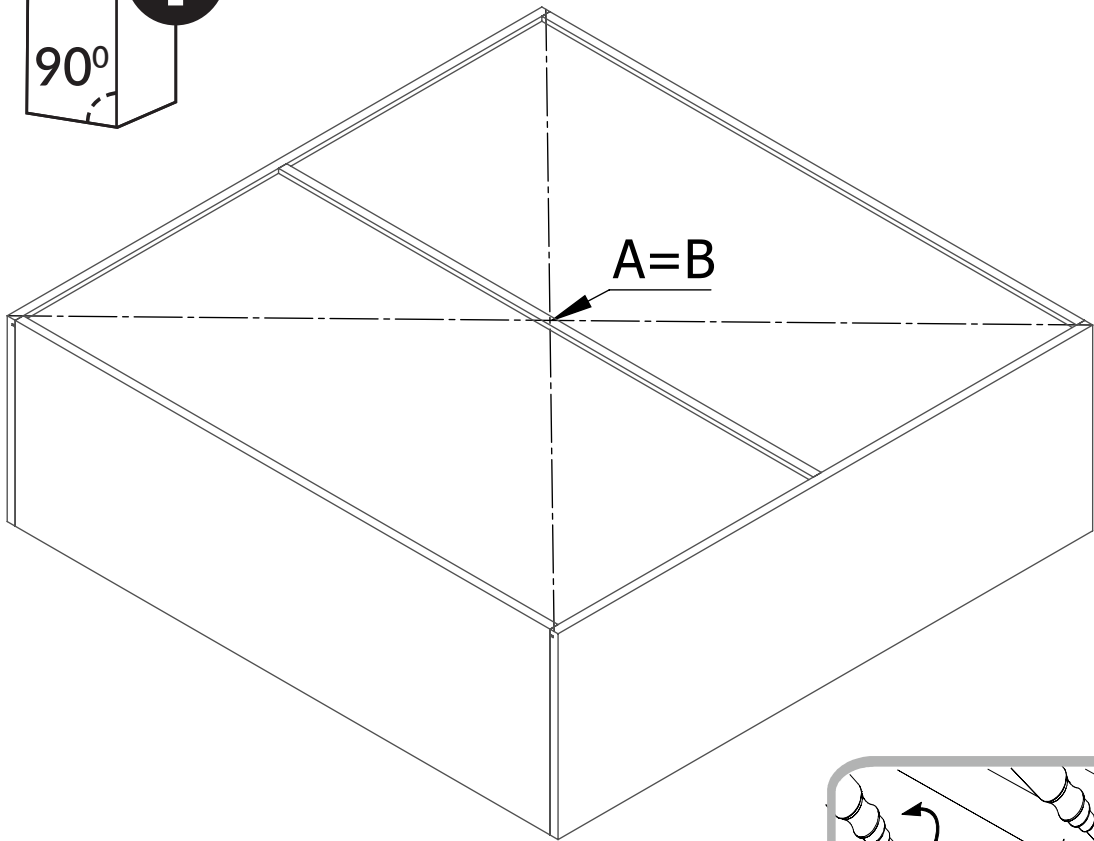
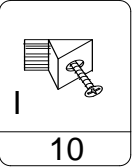
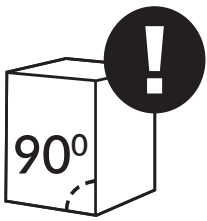
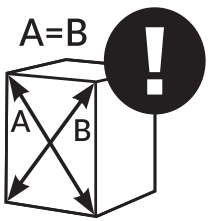
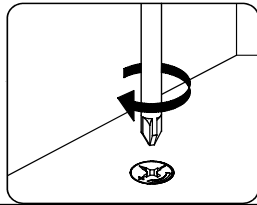
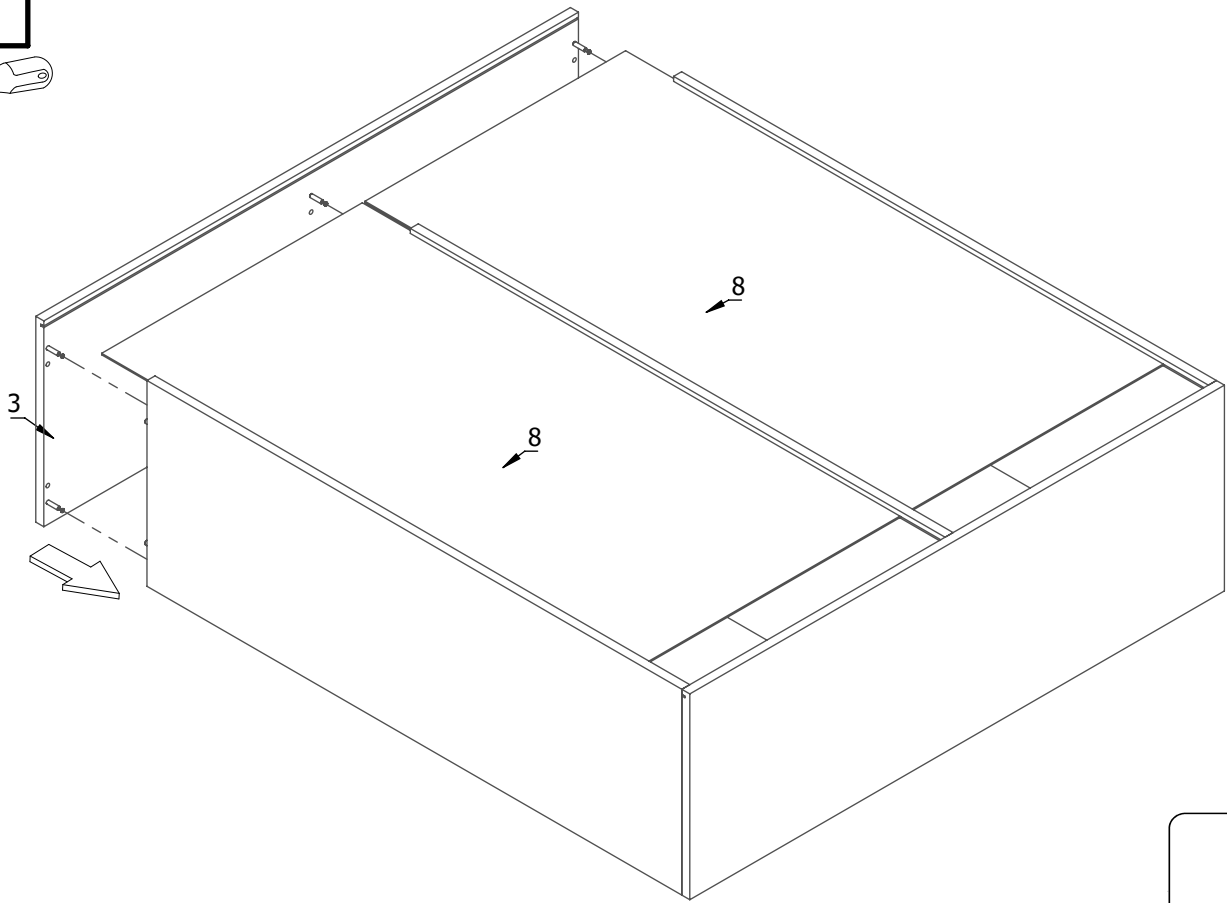
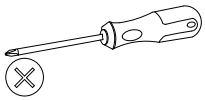
180'

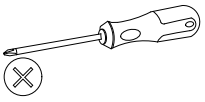


Z	6
---	---

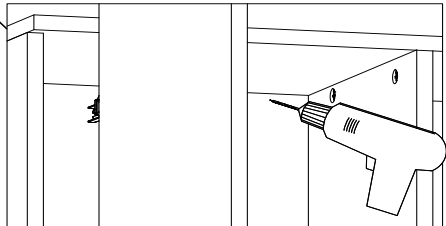
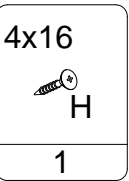
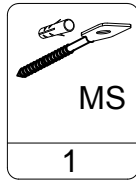
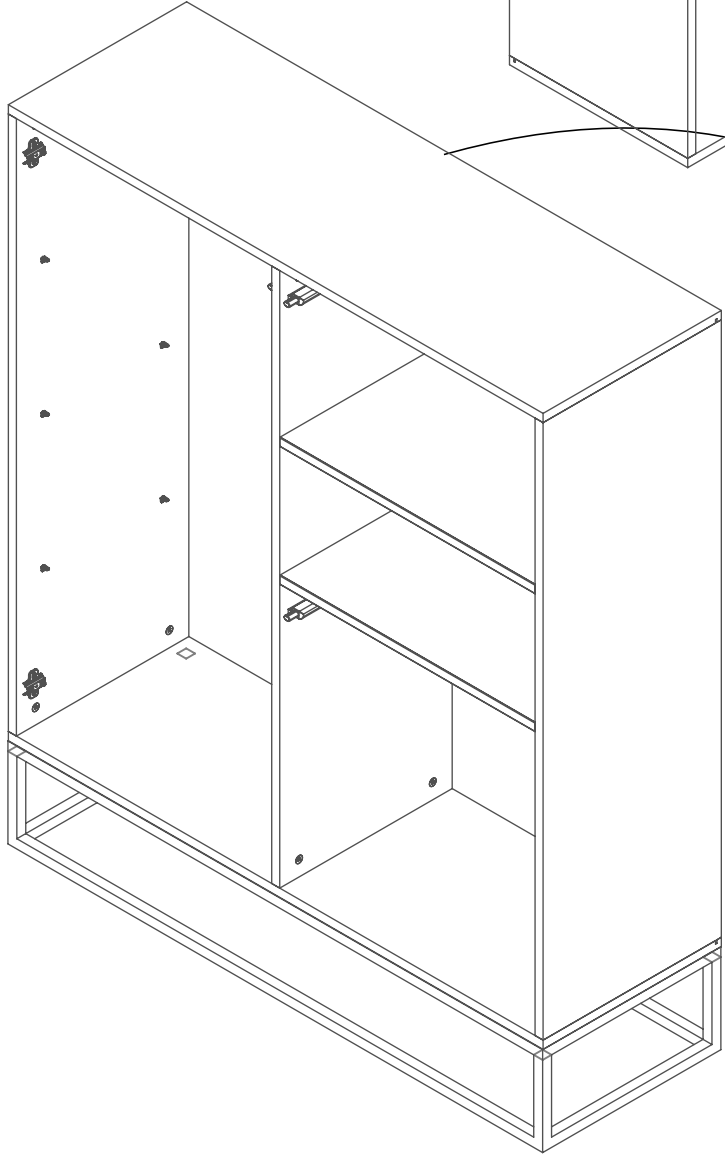
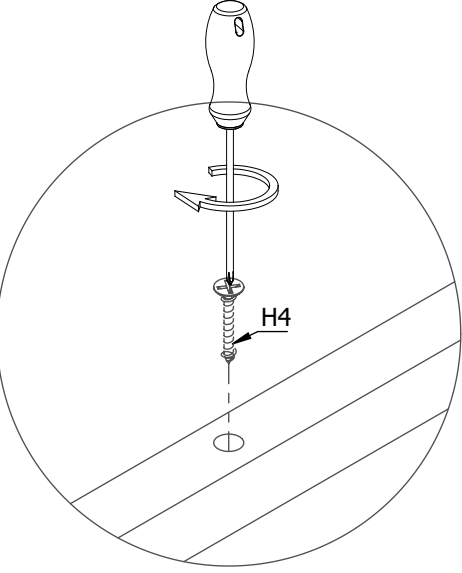
4x16	12
------	----



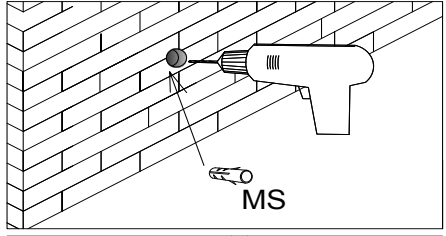




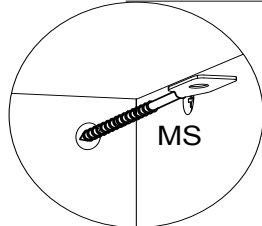
NB



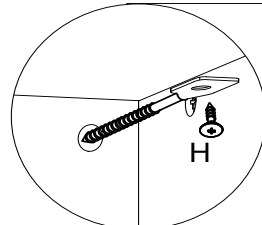
1



2



3



4

