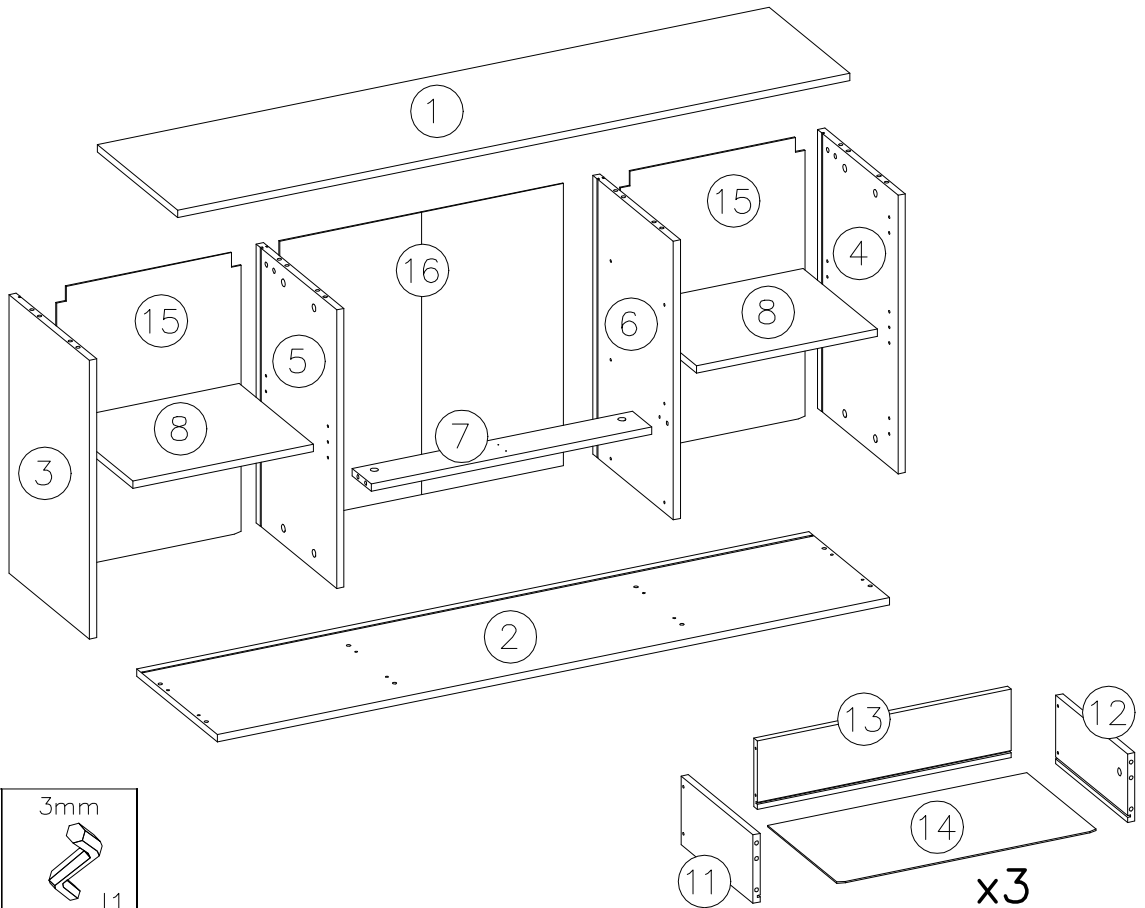
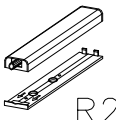


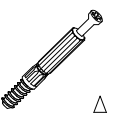

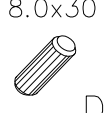

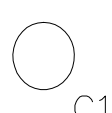

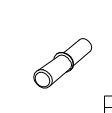
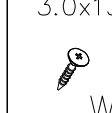
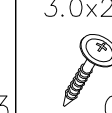
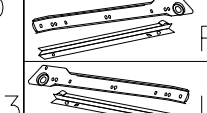
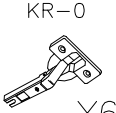
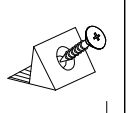
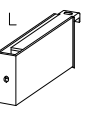
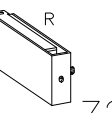
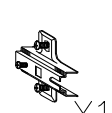
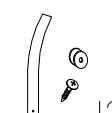
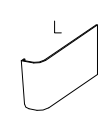
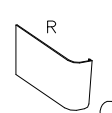
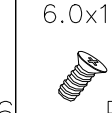
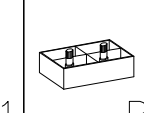



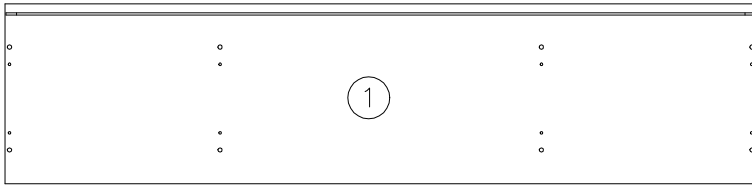
MAX
5kg

8

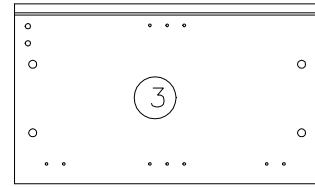


		
R2	K	I1
2	12	1

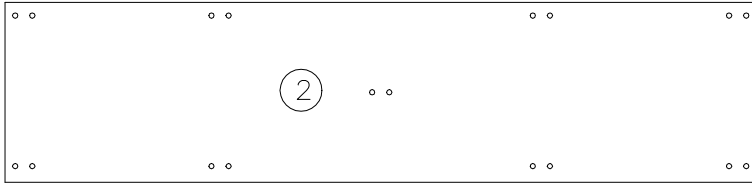
										
A	B	D	W8	C1	W9	E	W3	G3	R	
24	24	30	4	24	8	8	12	12	3 KPL	
KR-0										
										
Y6	J	L	R	X1	J2	L	R	F1	P	L-298
4	20	2	2	4	1	2 KPL	2	12	9	3



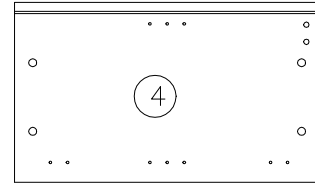
1403x336x15



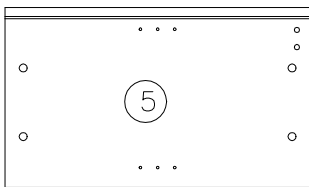
570x336x15



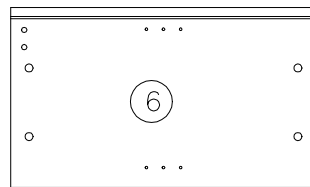
1403x336x15



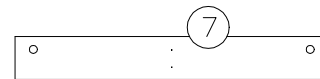
570x336x15



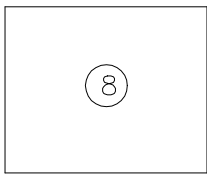
570x336x15



570x336x15

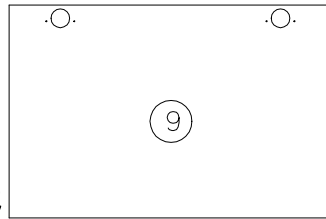


585x80x15



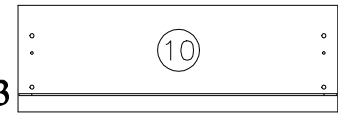
x2

377x310x15



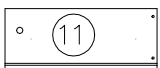
x2

603x397x15



x3

597x199x15



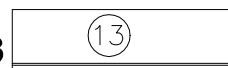
x3

300x140x15



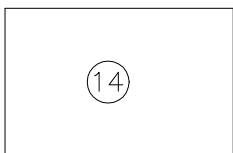
x3

300x140x15



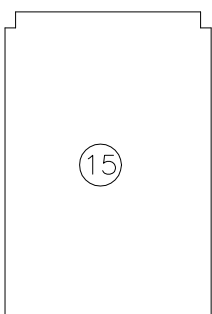
x3

530x140x15



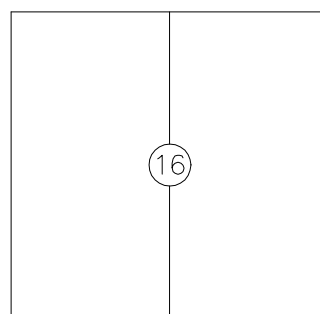
x3

541x294x3

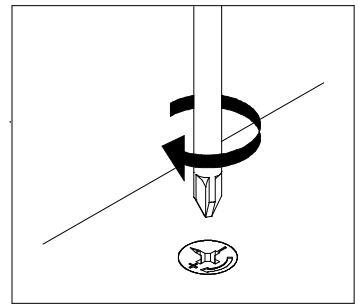
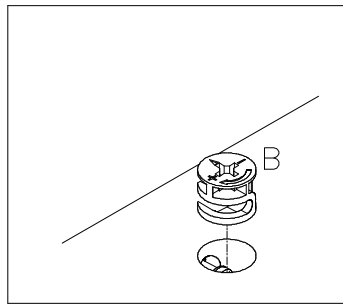
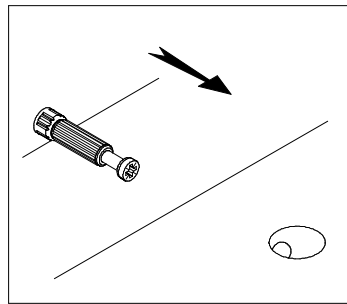
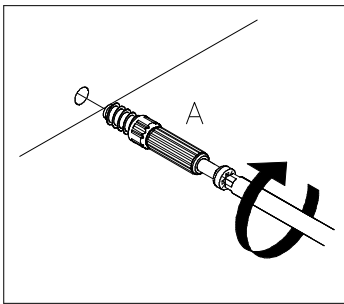


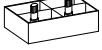

x2

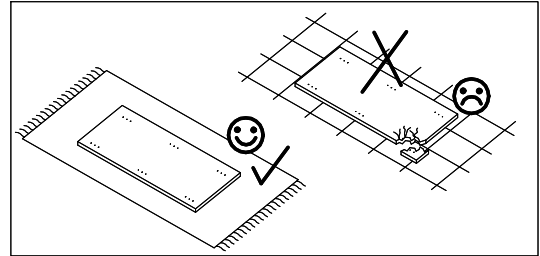
385x577x3



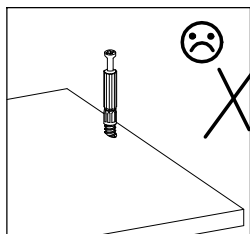
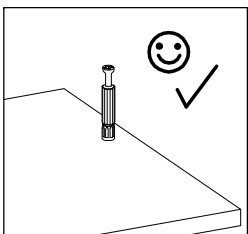
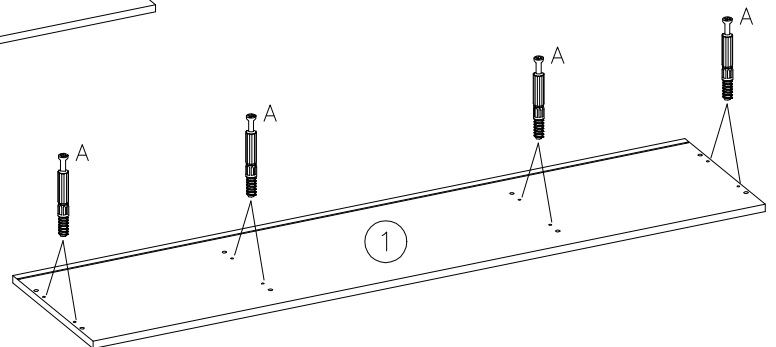
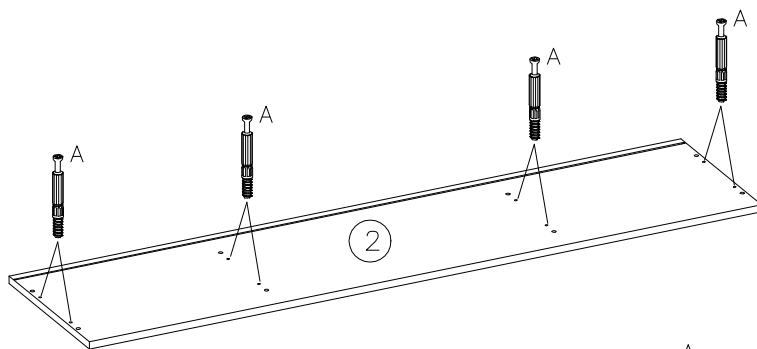
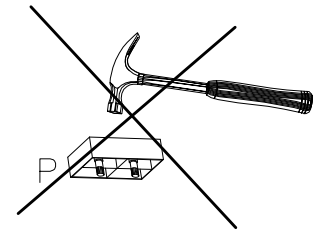
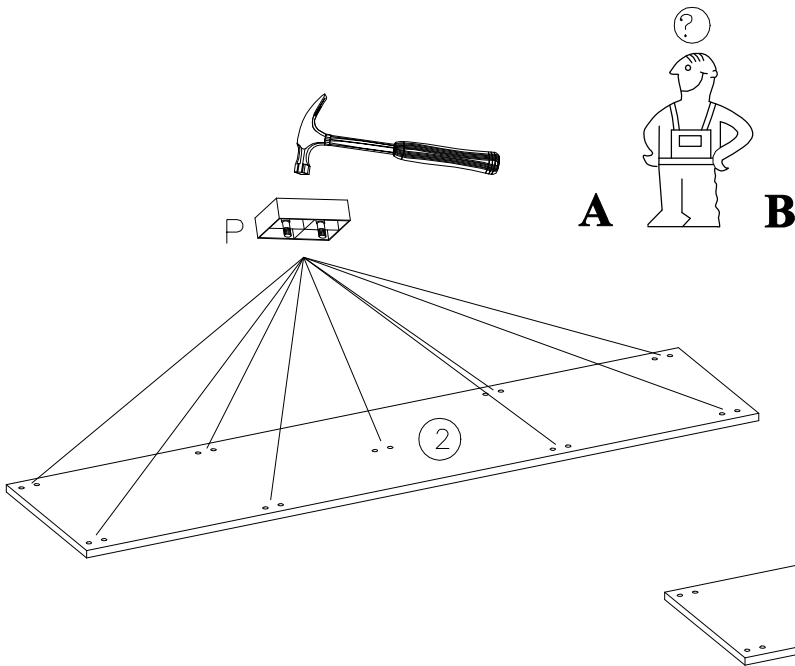
592x577x3

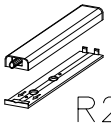
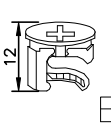
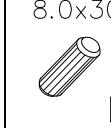
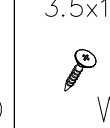


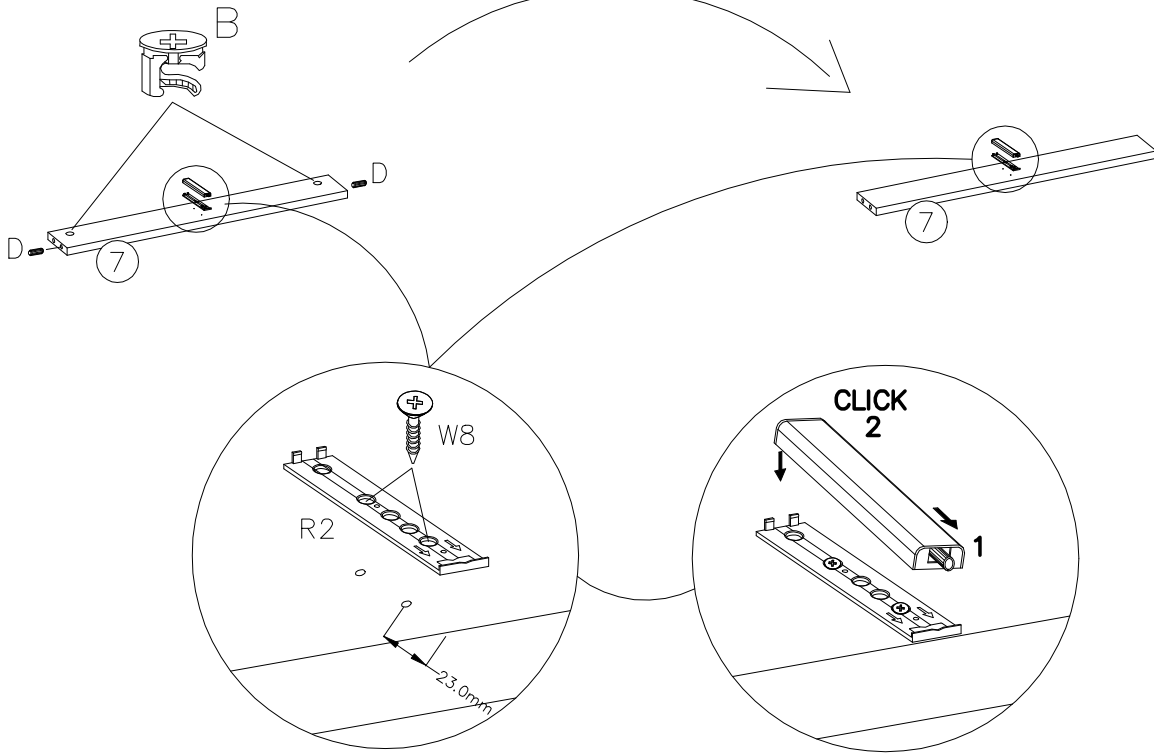
	
P	A
9	16

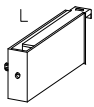
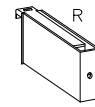
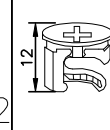


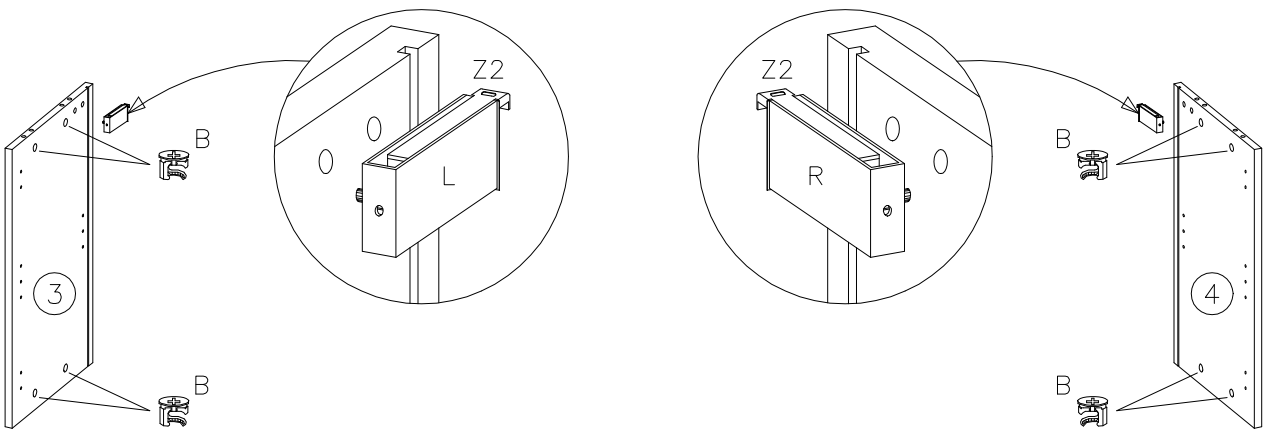
1


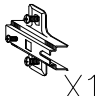


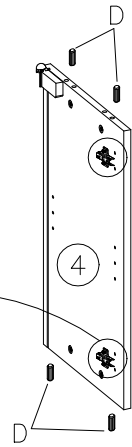
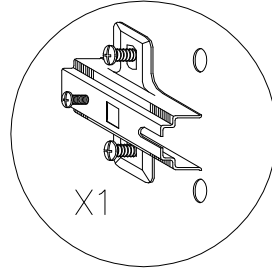
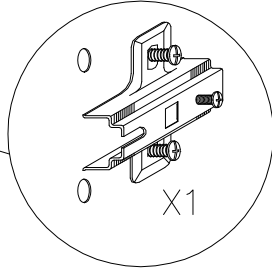
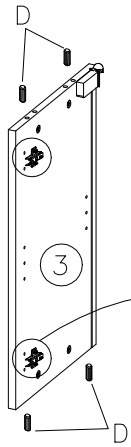
 R2	 B	 8.0x30 D	 3.5x13 W8
2	2	2	4

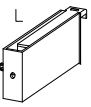
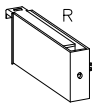
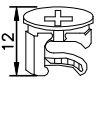


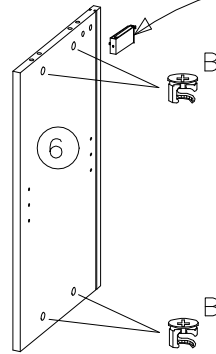
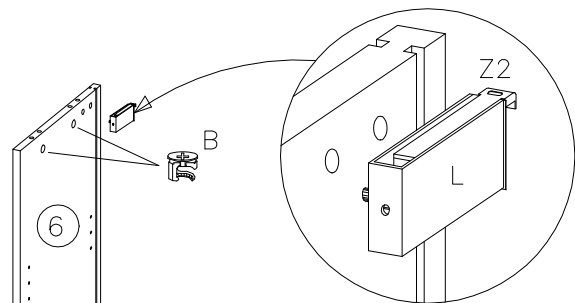
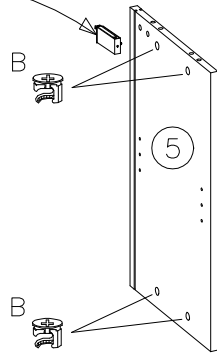
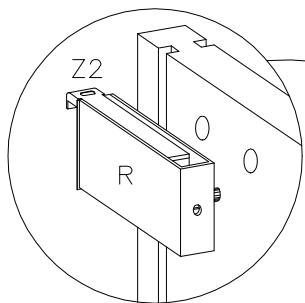
 L	 R	 Z2 B
1		8



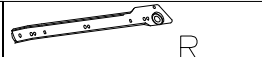
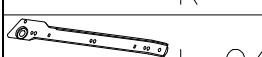
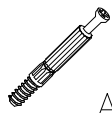
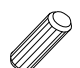


8.0x30  D	 X1
8	4

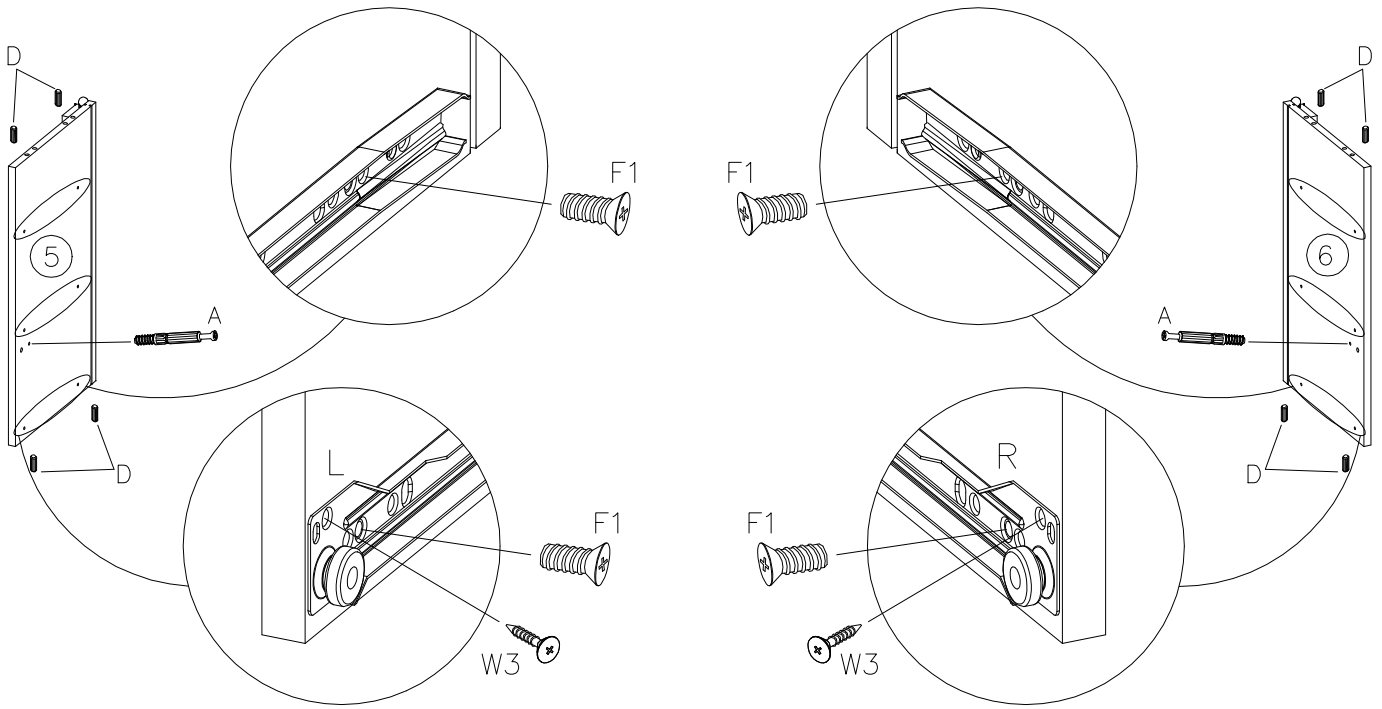


 L	 R	 Z2 B
1	1	8

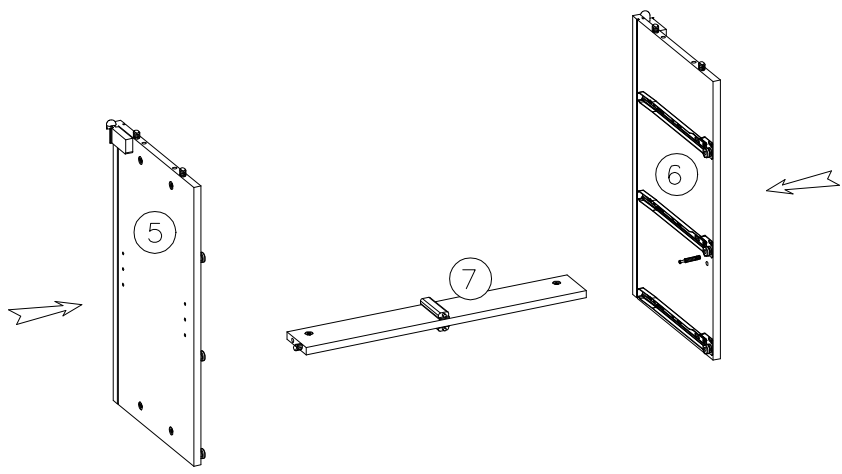


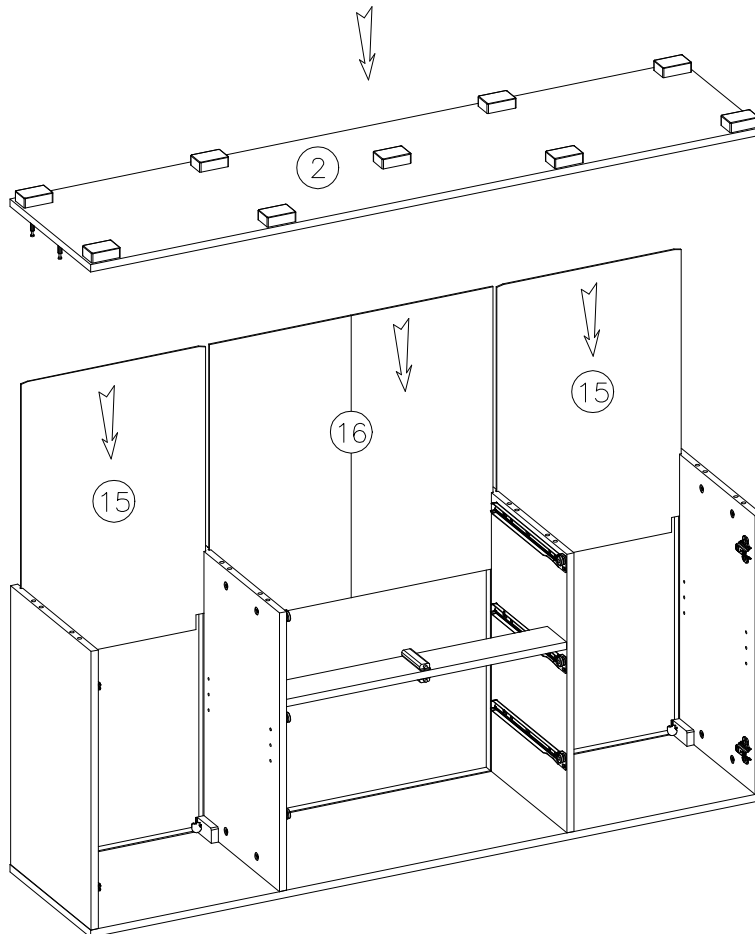
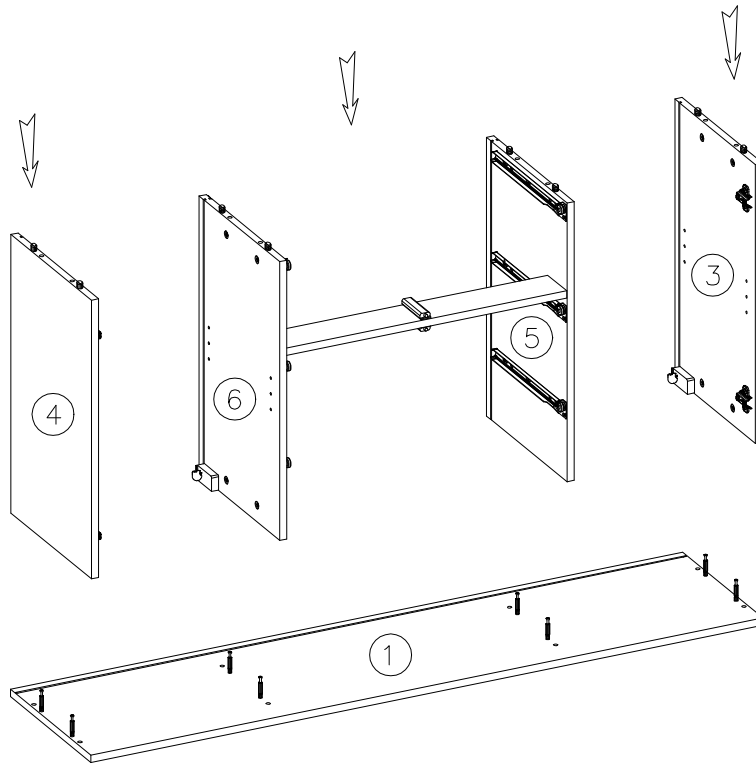
6.0x11  F1 12	3.0x13  W3 6	 R  L Q4 3 KPL	 A 2	8.0x30  D 8
---	--	---	--	--

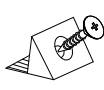
6

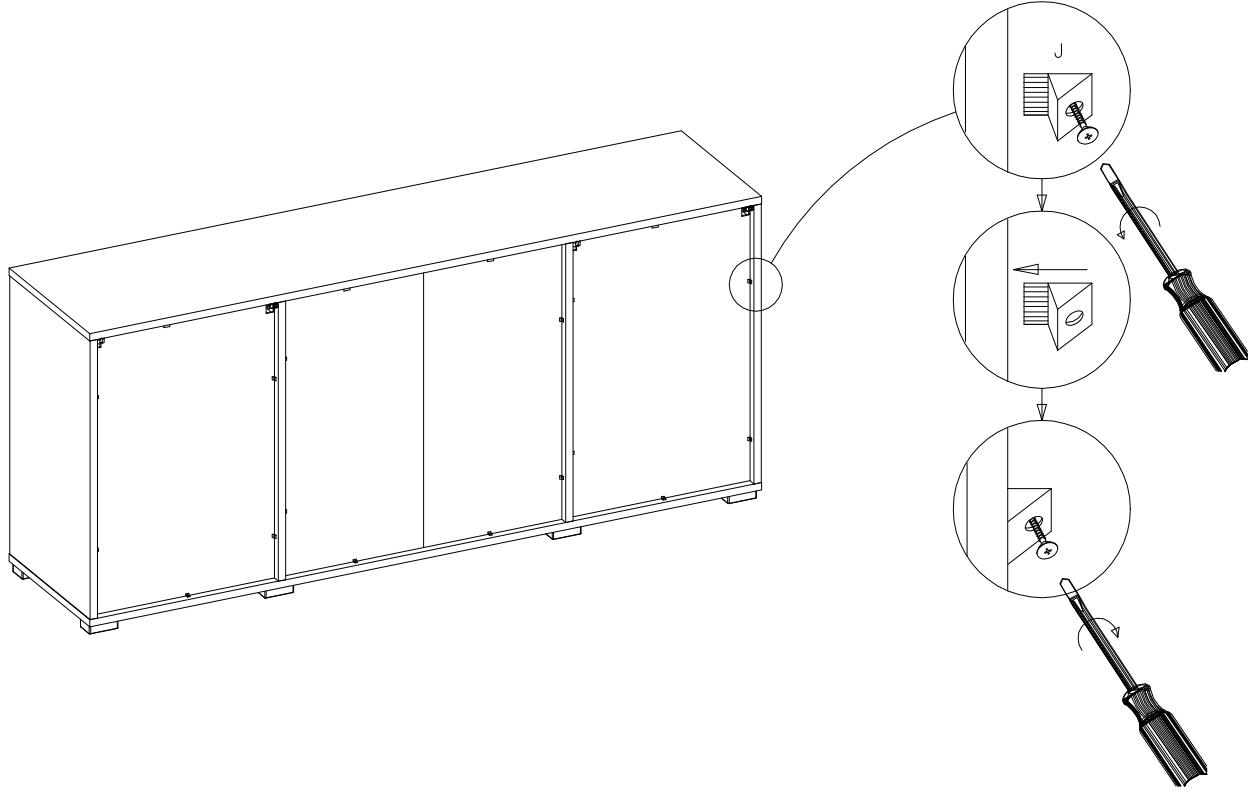



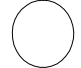
7

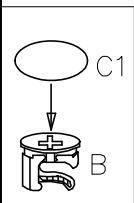
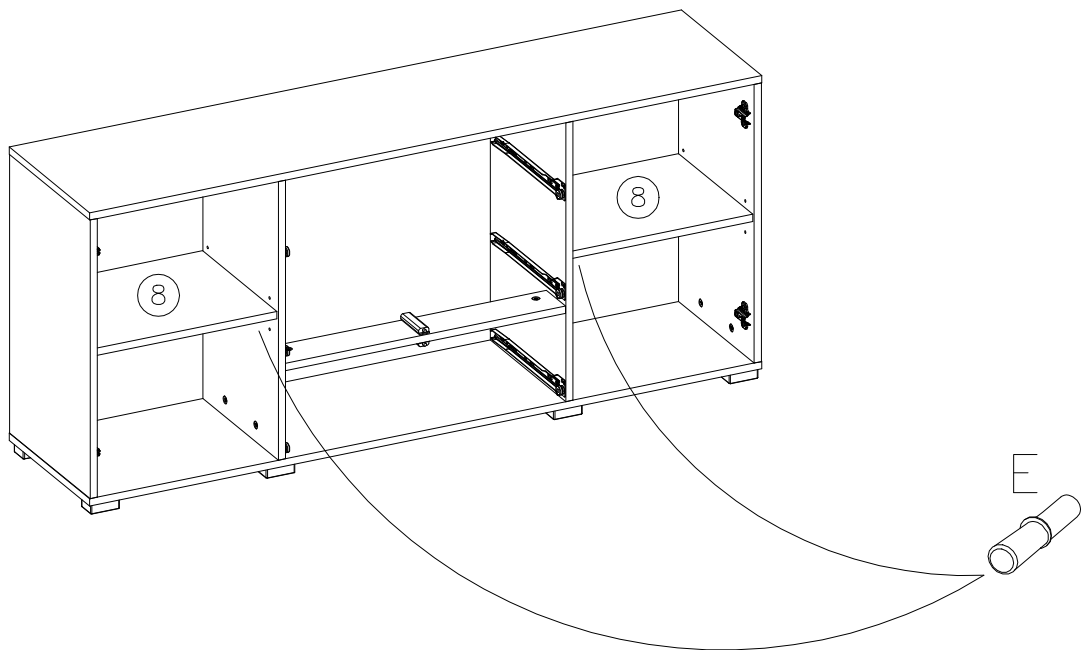


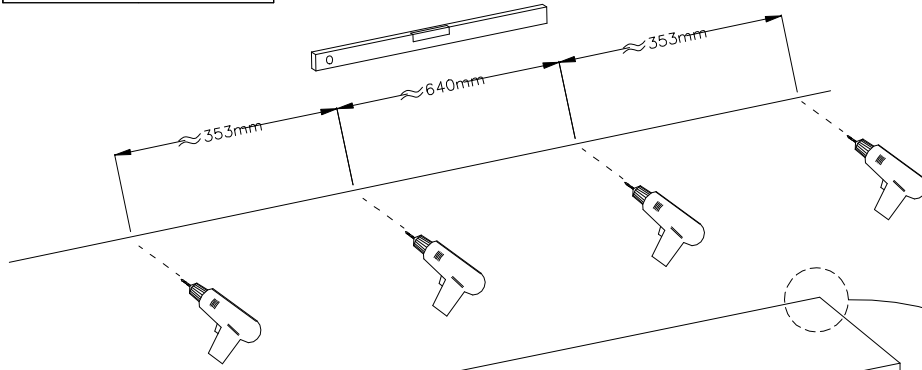
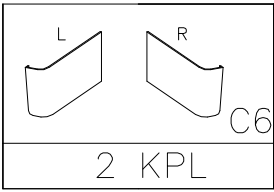



J
20

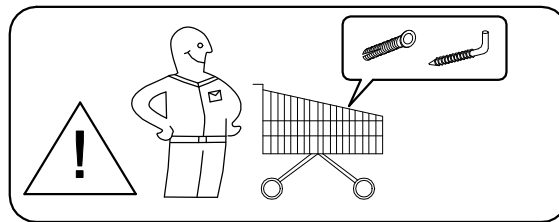
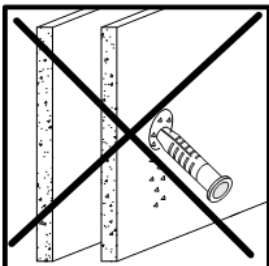
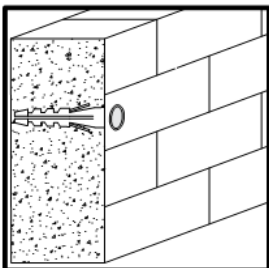
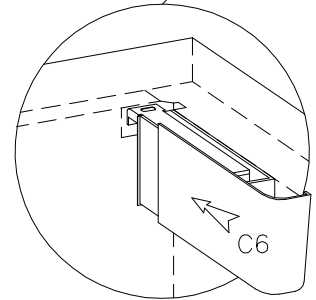
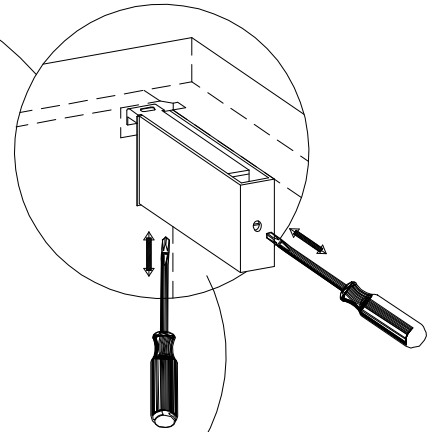
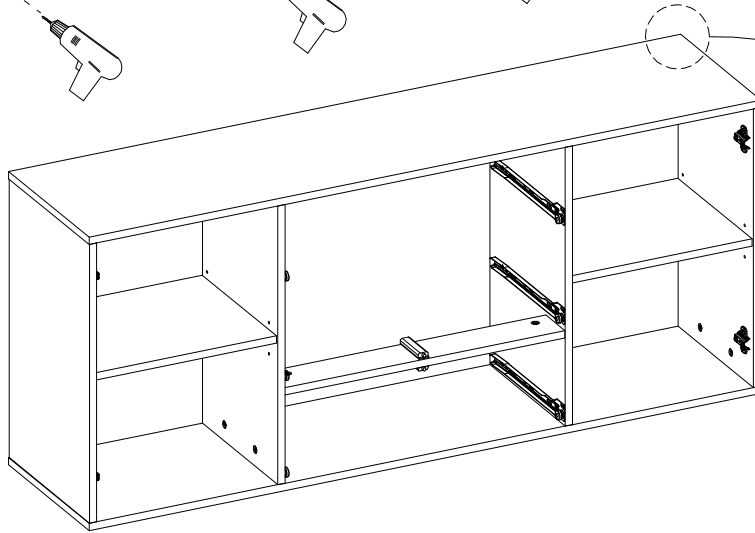


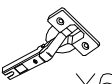

	
E	C1
8	18



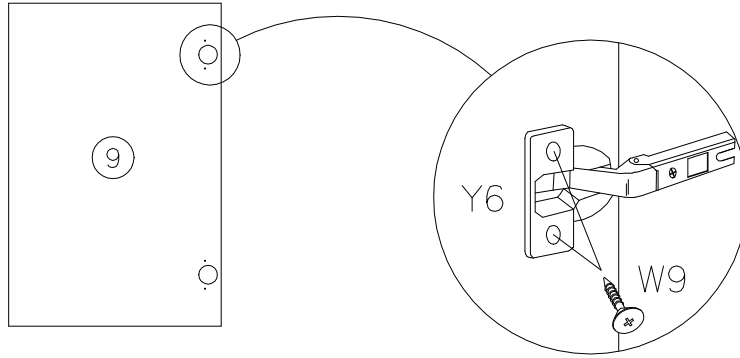


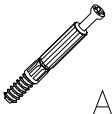
~~A~~ B

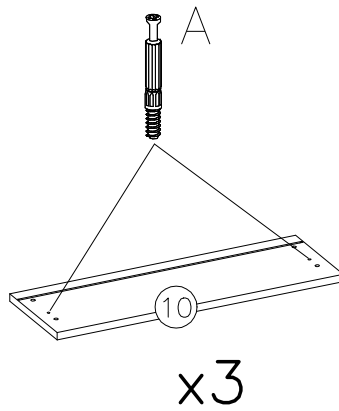


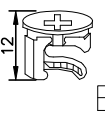
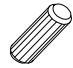
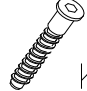

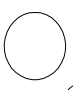





KR-0  Y6	4.0x13  W9
4	8

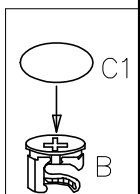
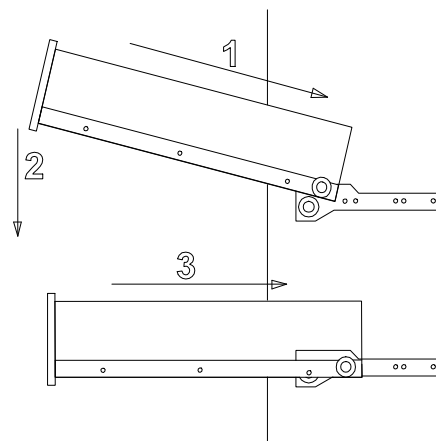
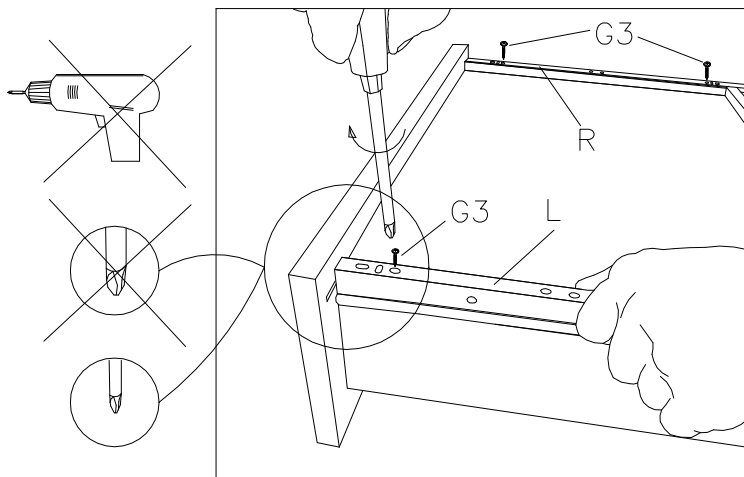
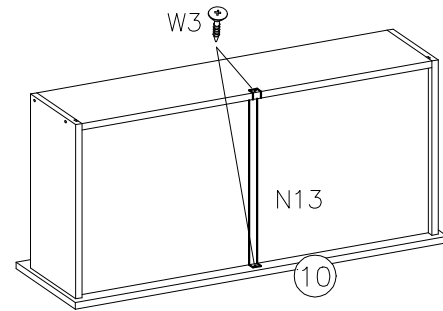
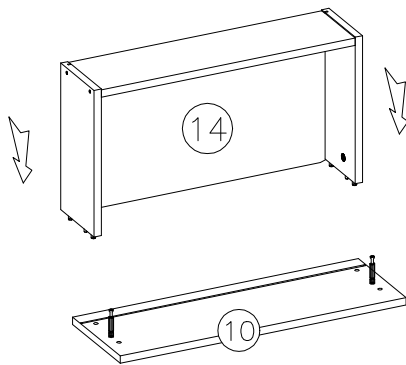
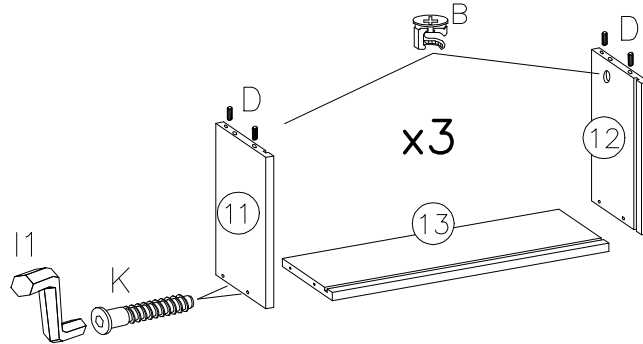
x2

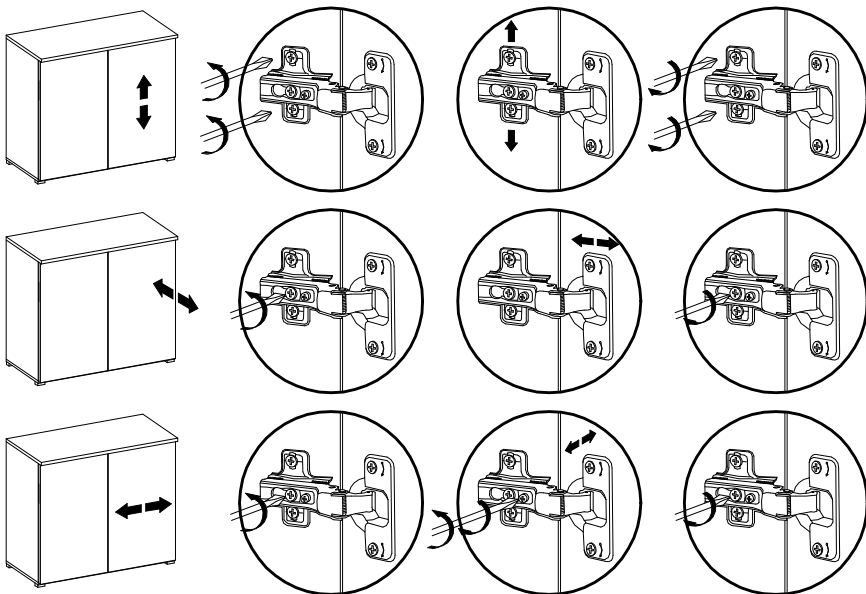
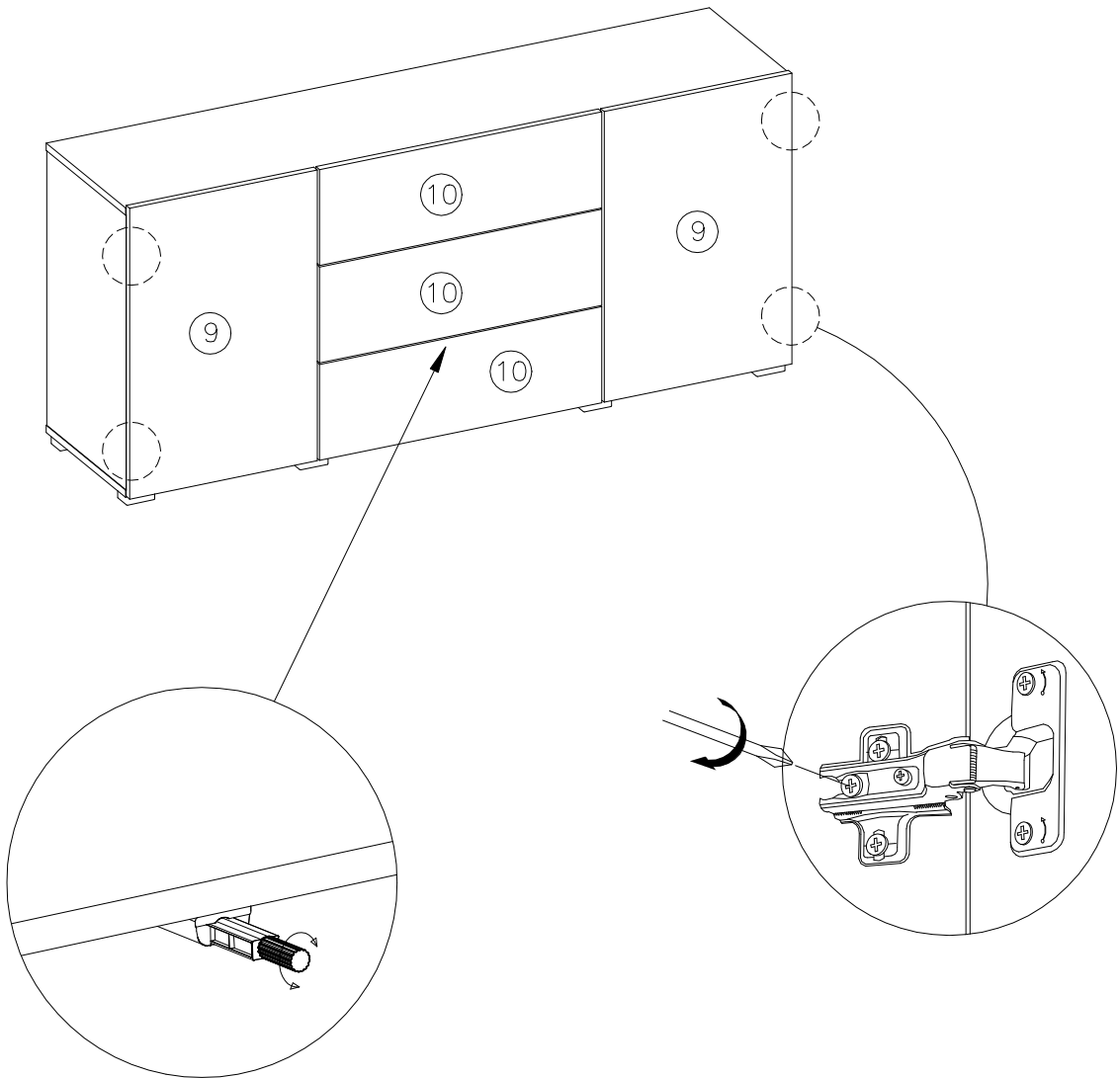


 A
6

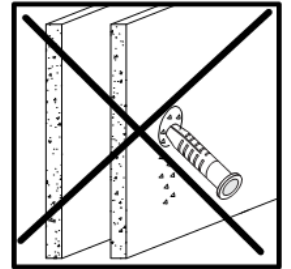
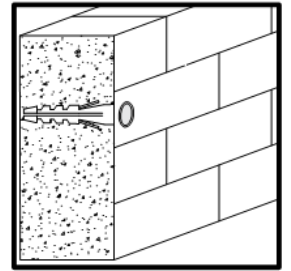
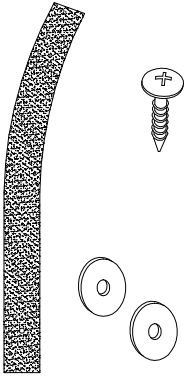


	8.0x30 	5.0x50 	3mm 		3.0x20 	 R  L Q4	L-298 	3.0x13 
6	12	12	1	6	12	3 KPL	3	6





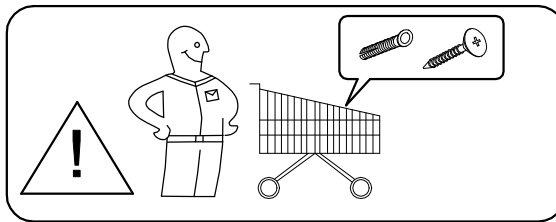
1



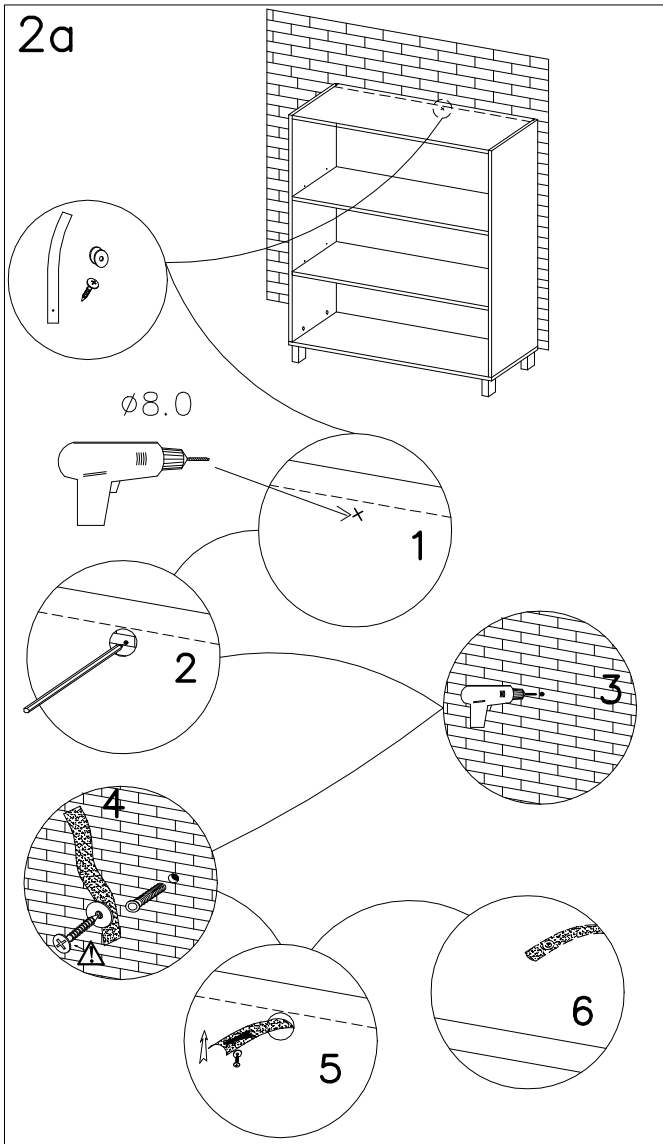
A



~~**B**~~



2a



2b

