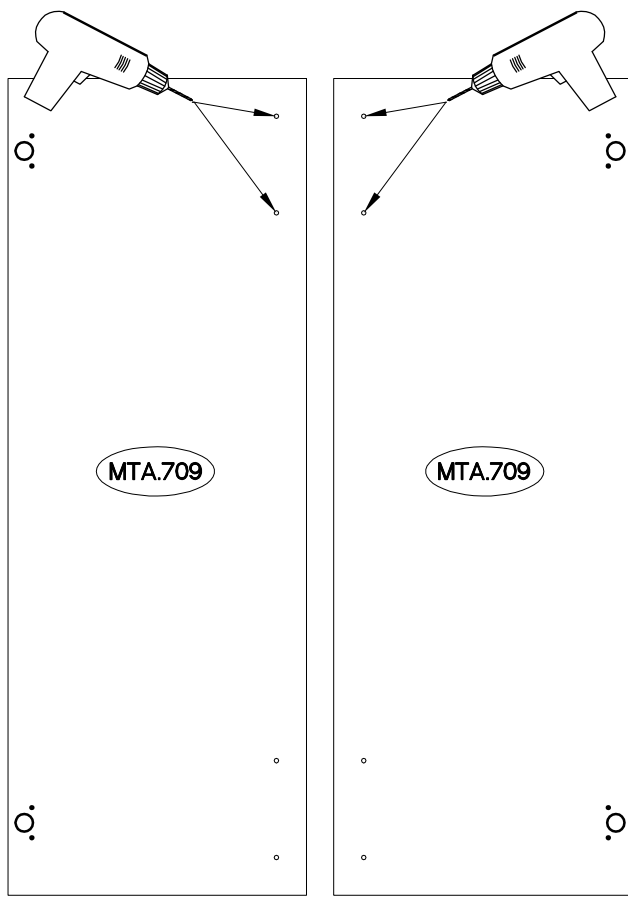




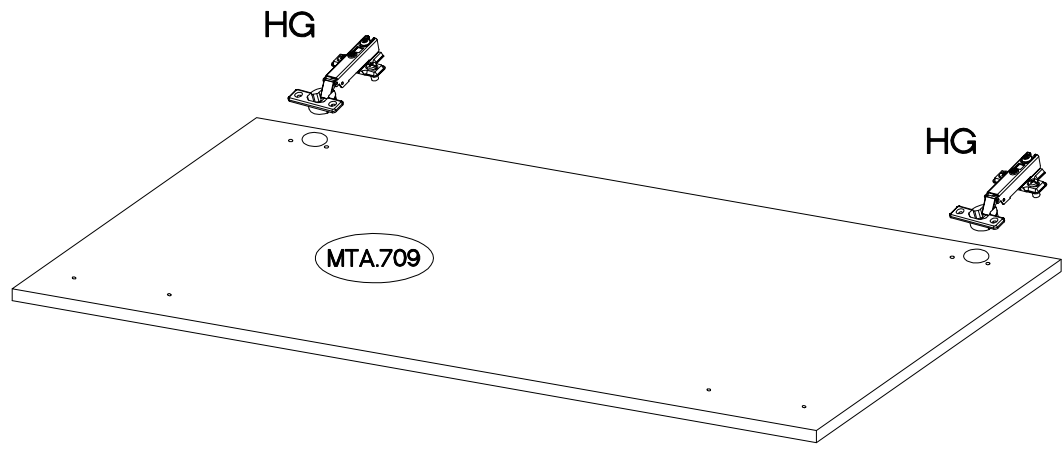
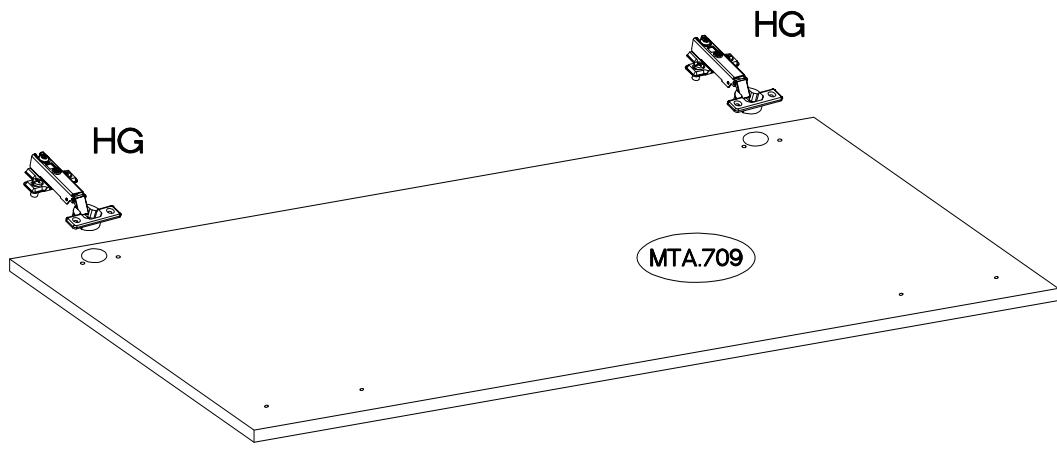
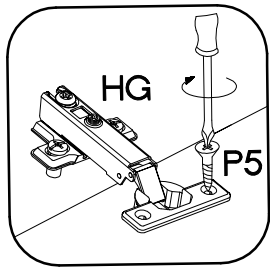
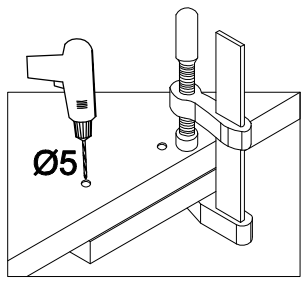
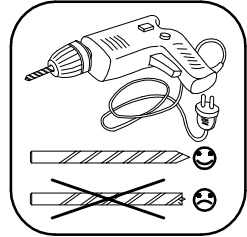
MTA.709 x2	1081x395x16
------------	-------------

±35/0mm	±3.5x13mm	L=128mm	M4x22mm
[CD] HG	P5	S	U
4	8	2	4

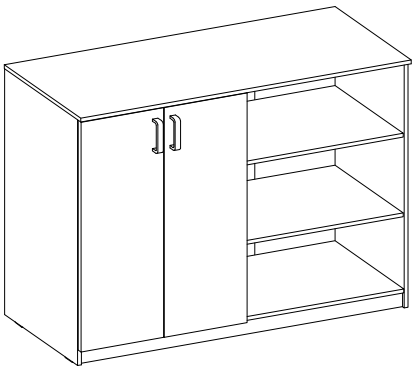
1





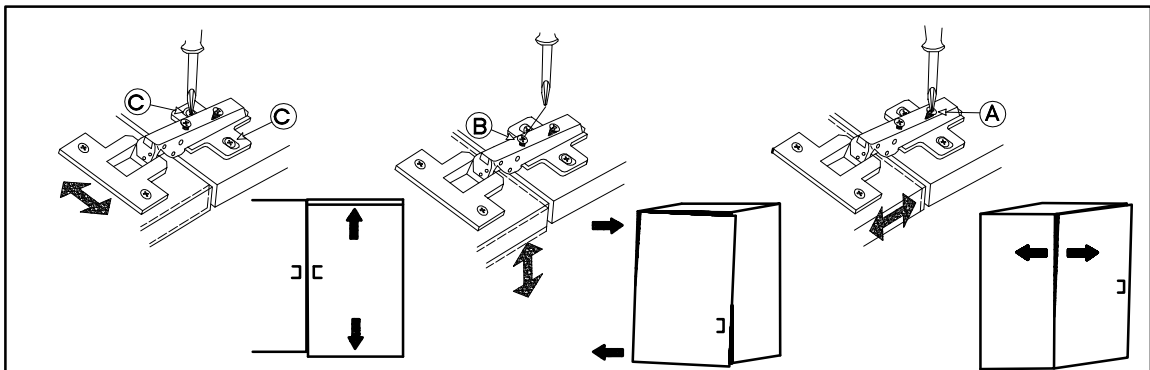
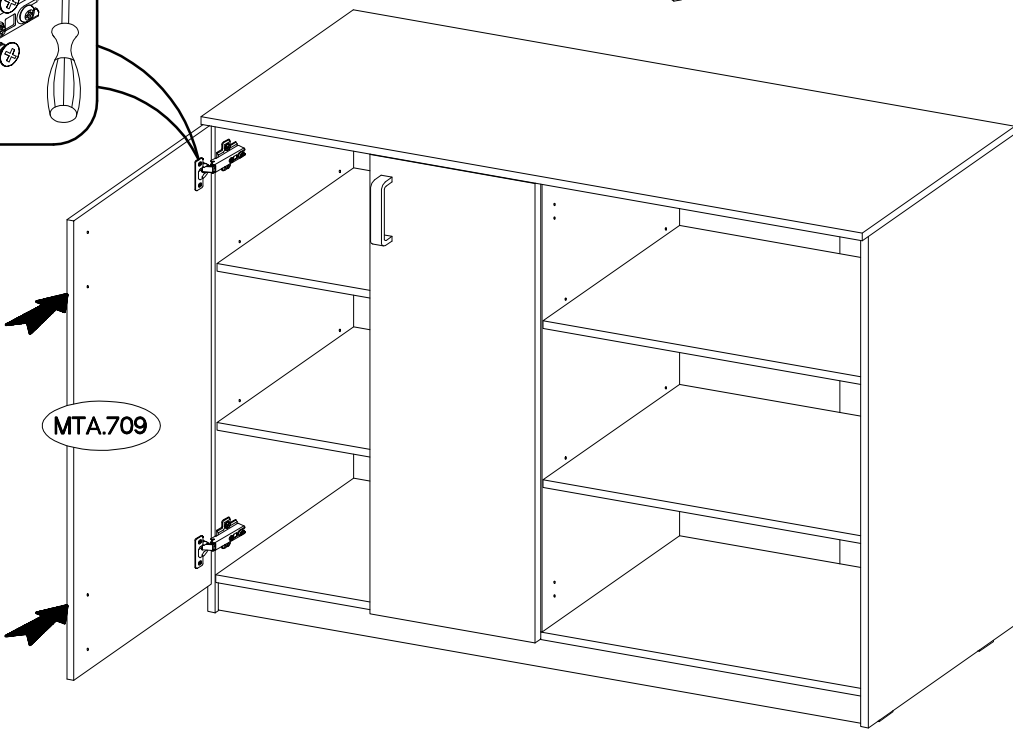
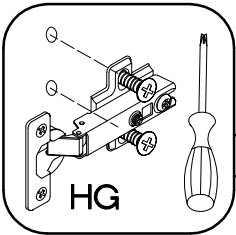
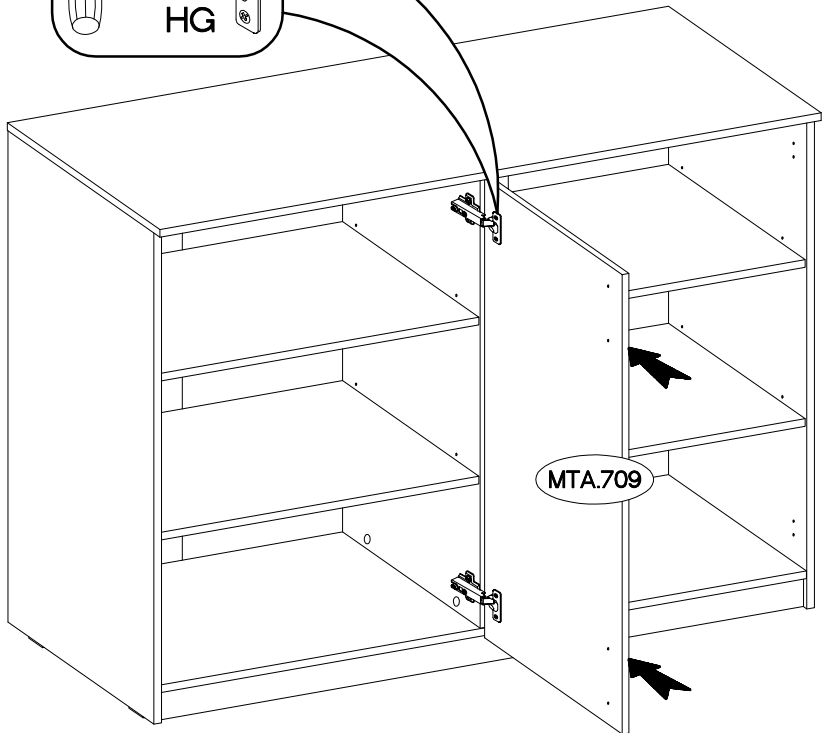
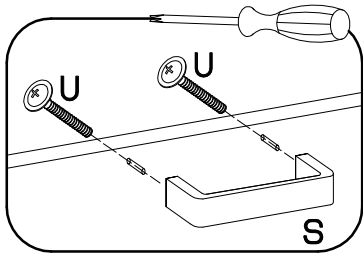
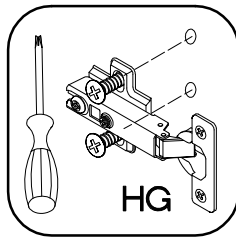
 [CD] HG 4	 P5 8
--	---





2



L=128mm	M4x22mm
	
S	U
2	4



3

L=128mm	M4x22mm
	
S	U
2	4

