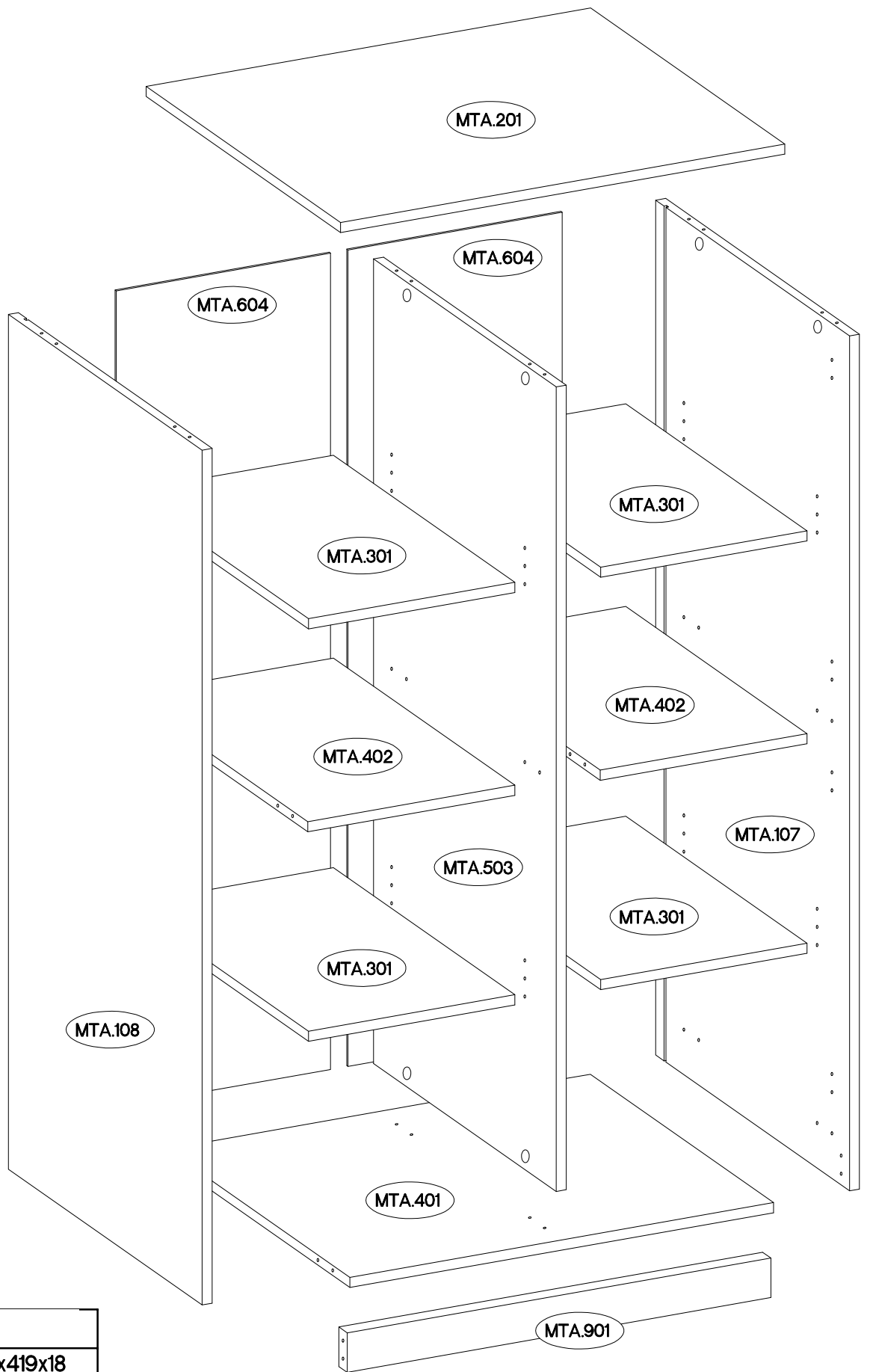
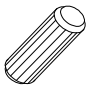
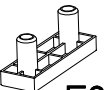

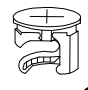


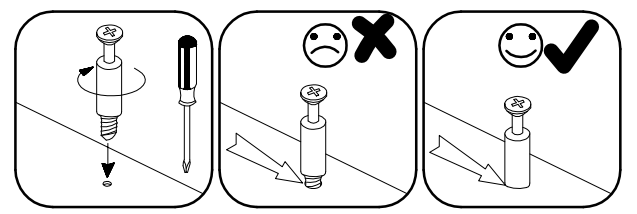
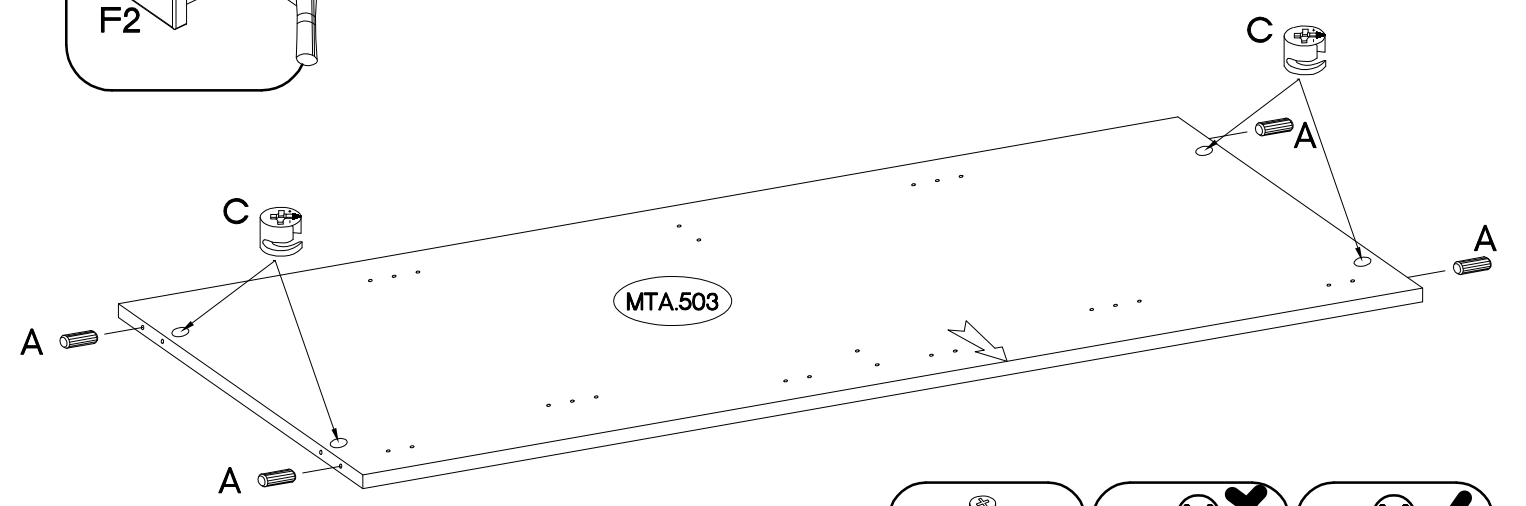
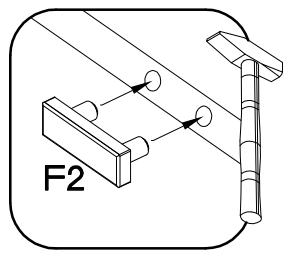
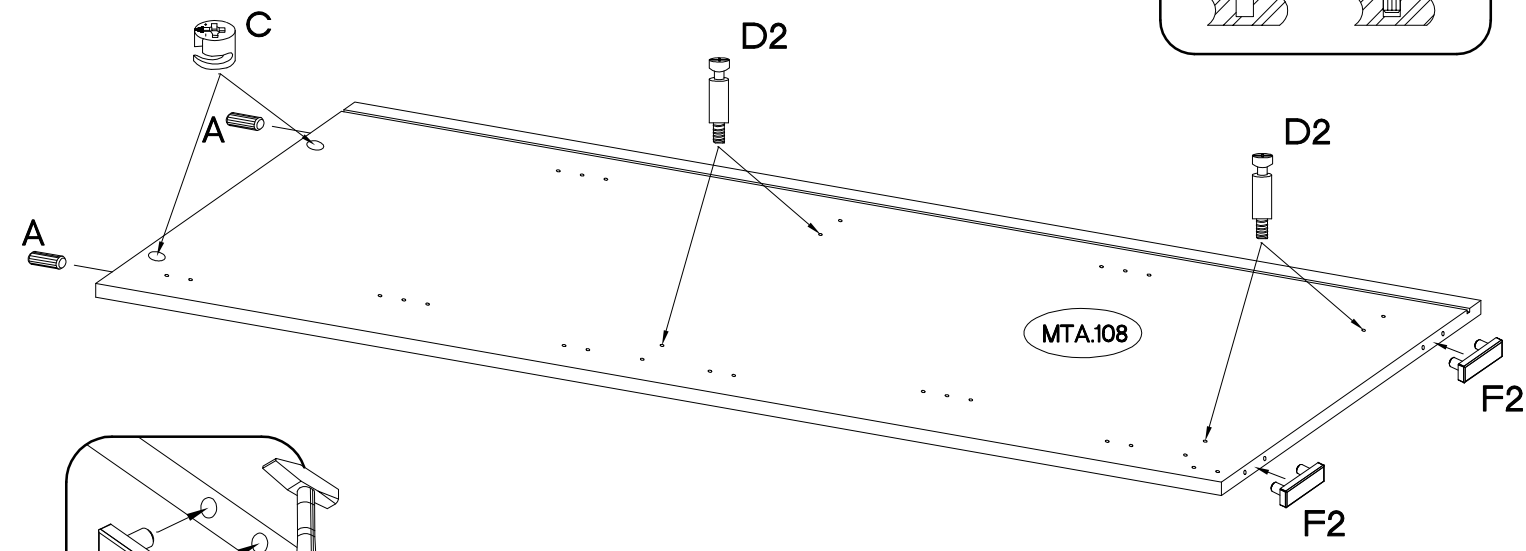
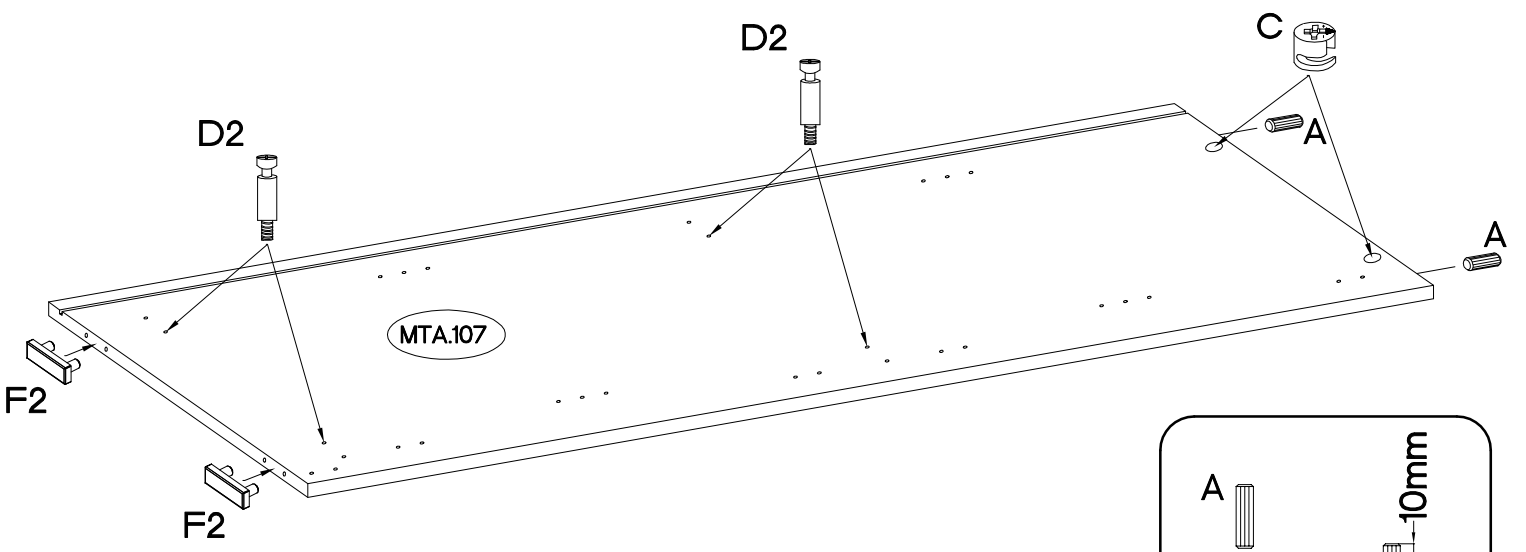
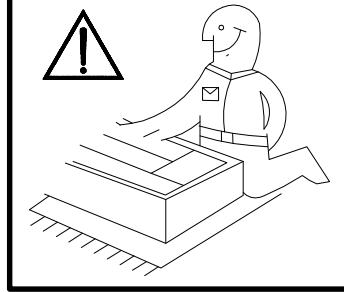
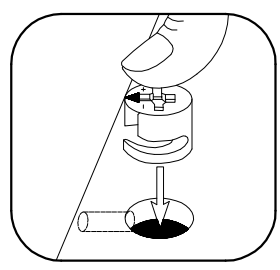
†8x30mm A 20	†8x60mm A2 2	†15/12mm C 20	L=20mm D2 16
L=56mm D4 2	†20 E11 16	6.5x48x16 F2 4	†5/16mm J3 16





 L 14	 L2 10	 L9 1	†5 M10 2	†10x50mm O7 1	†3.5x13mm P5 1	†3.0x20mm P7 22
-------------	--------------	-------------	--------------------	-------------------------	--------------------------	---------------------------

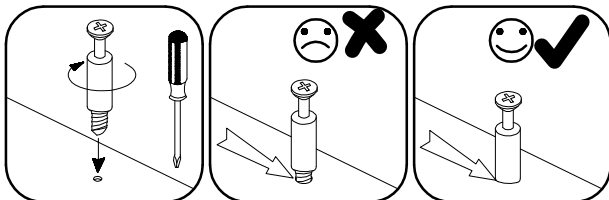
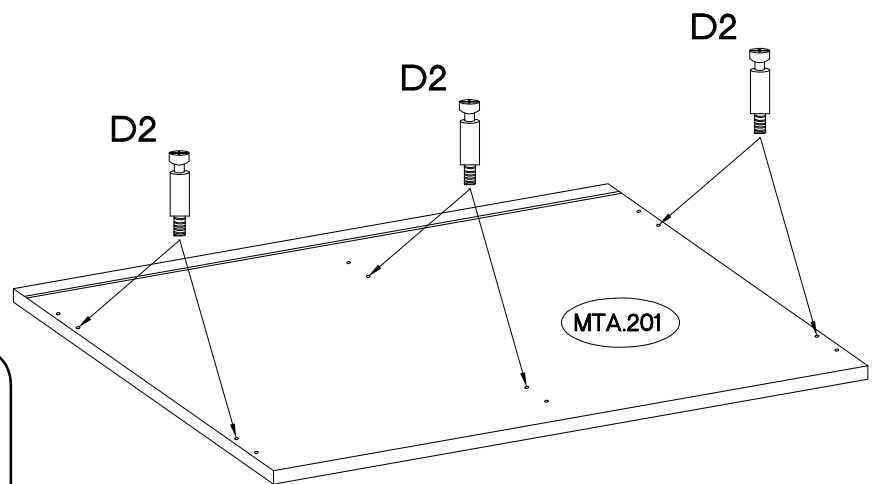
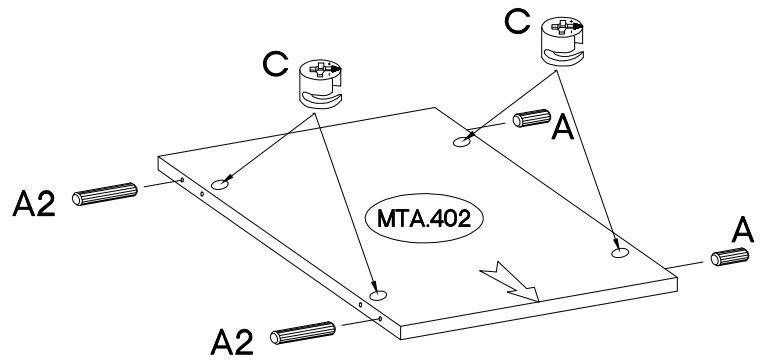
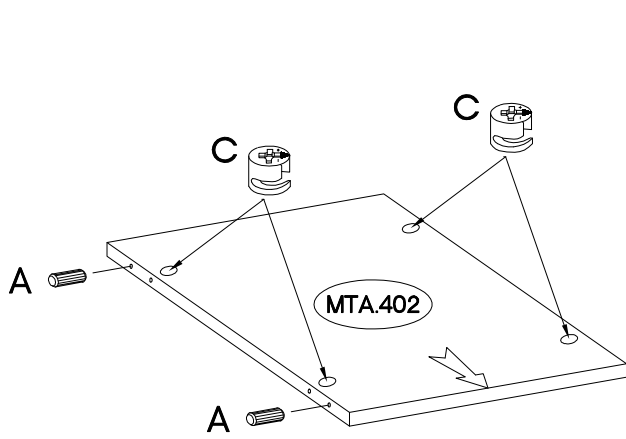
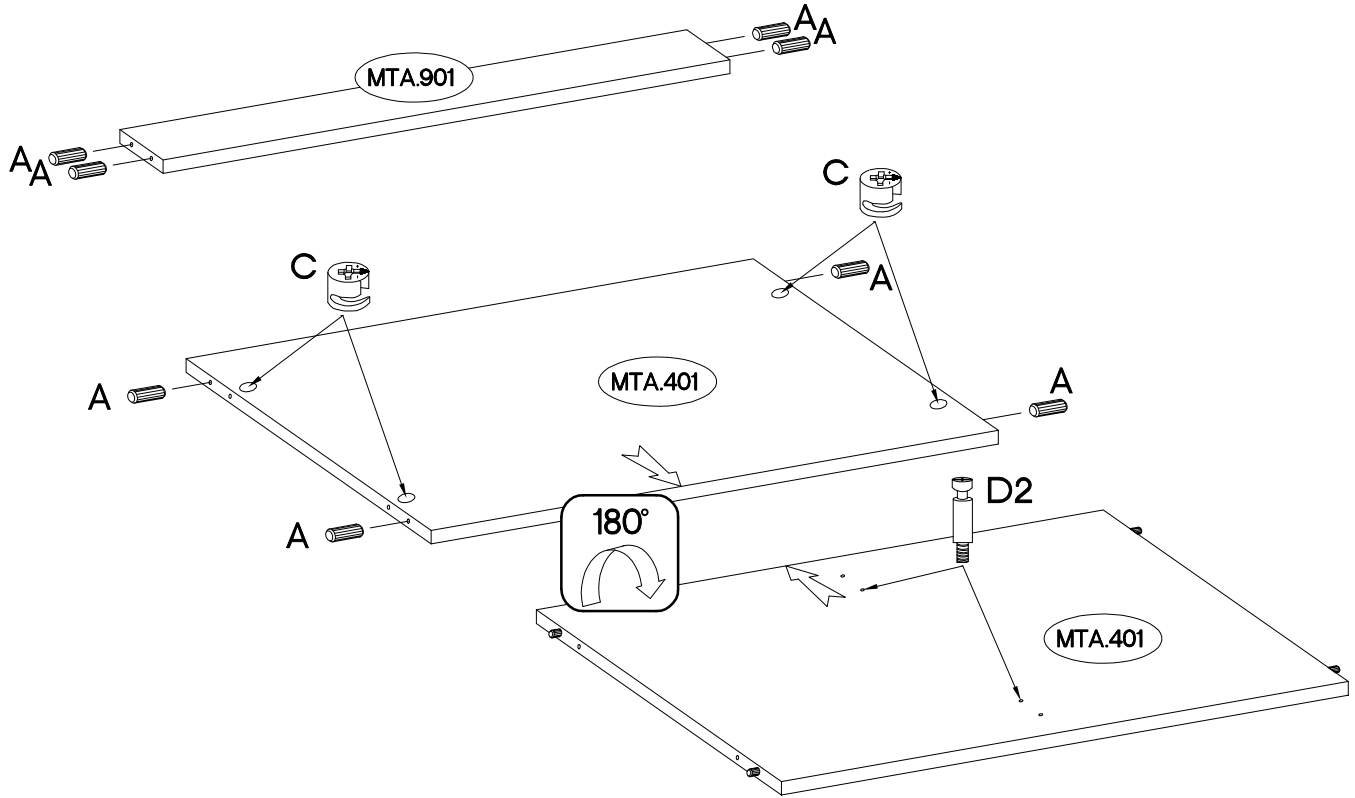
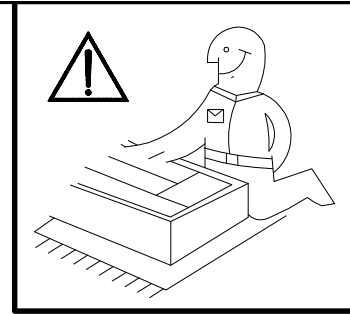
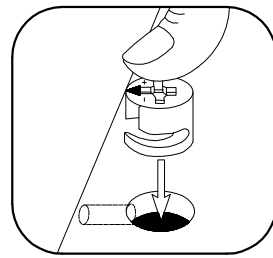


MTA.107	1513x419x18
MTA.108	1513x419x18
MTA.201	799x420x18
MTA.301 x4	371x392x18
MTA.401	762x396x18
MTA.402 x2	372x392x18
MTA.503	1424x395x18
MTA.604 x2	1445x385x2,5
MTA.901	762x70x18

$\varnothing 8 \times 30 \text{mm}$  A 8	$6.5 \times 48 \times 16$  F2 4	$L=20 \text{mm}$  D2 8	$\varnothing 15 / 12 \text{mm}$  C 8
---	--	---	---

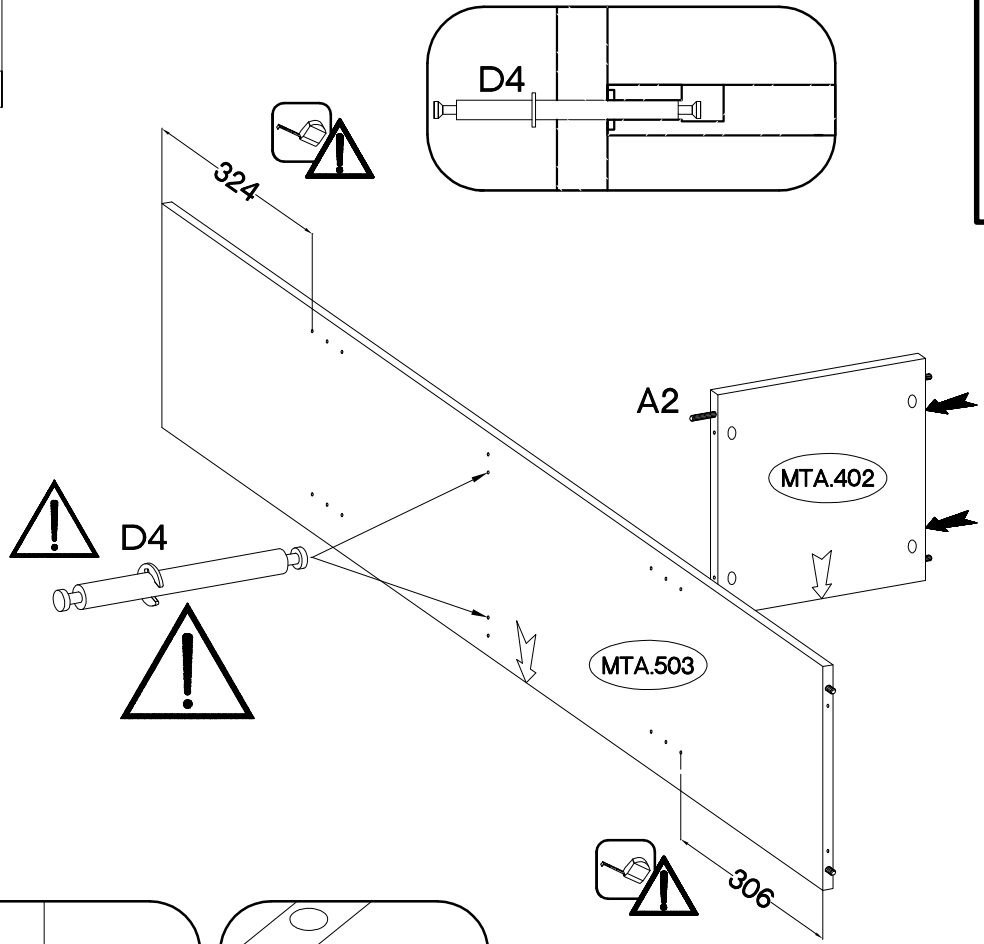
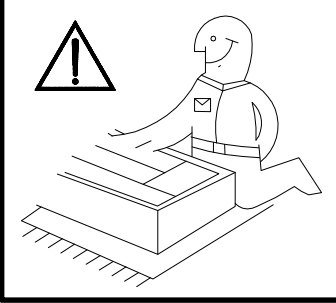


±8x30mm	±8x60mm	L=20mm	±15/12mm
			
A	A2	D2	C
12	2	8	12

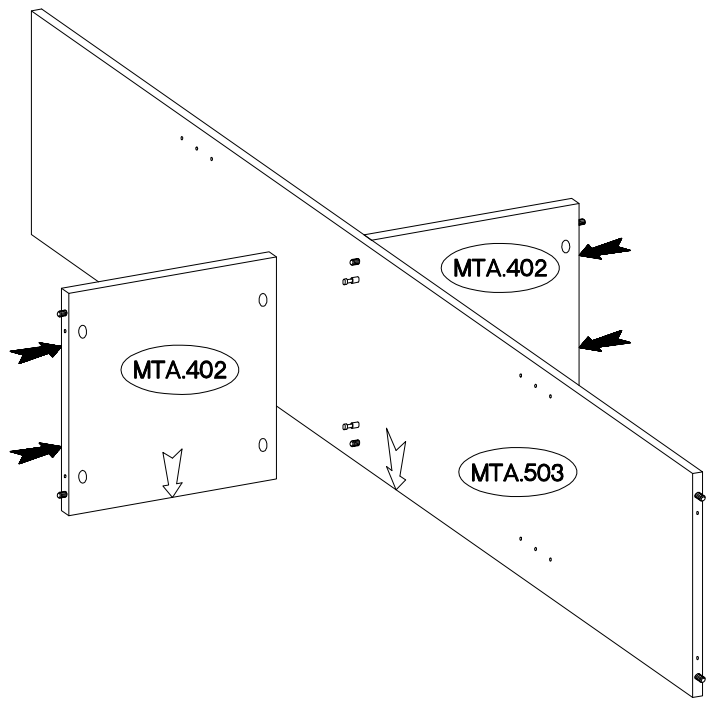
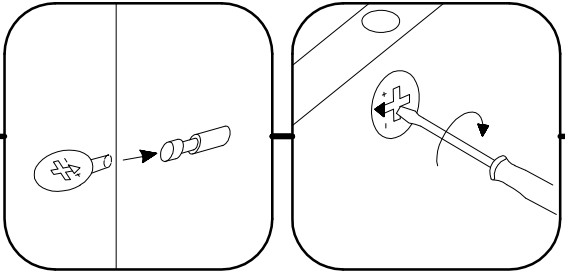


3

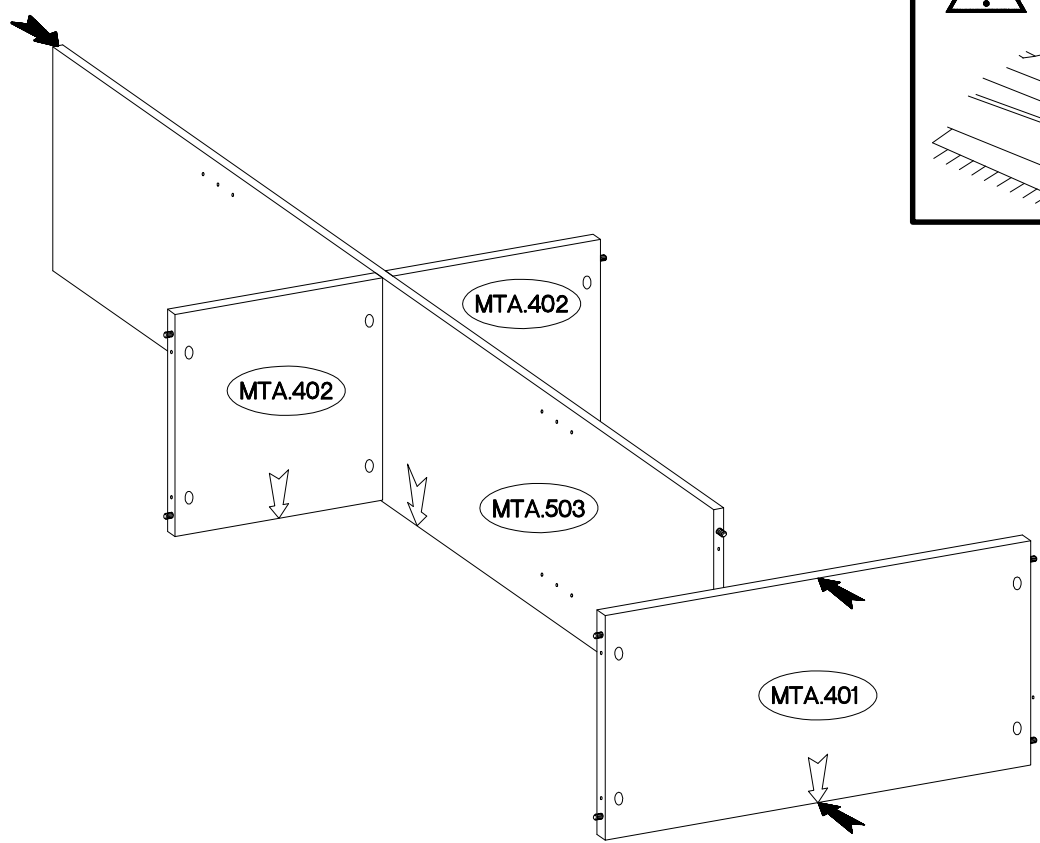
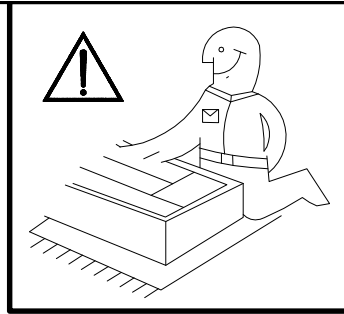
L=56mm
D4
2



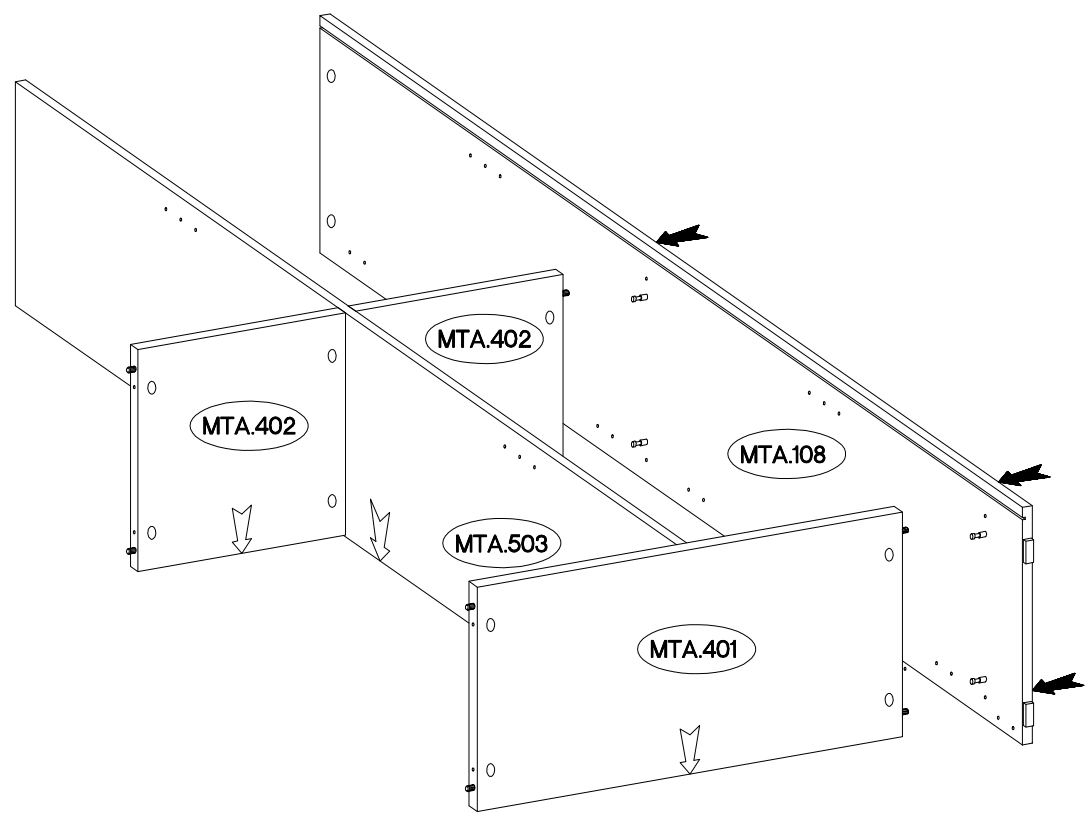
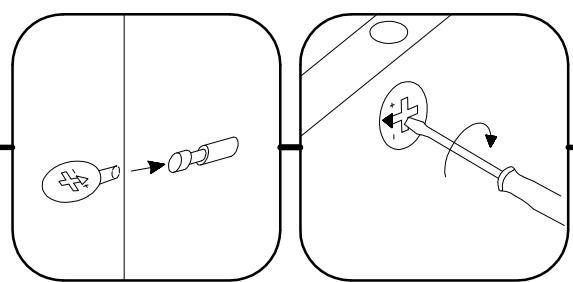
4



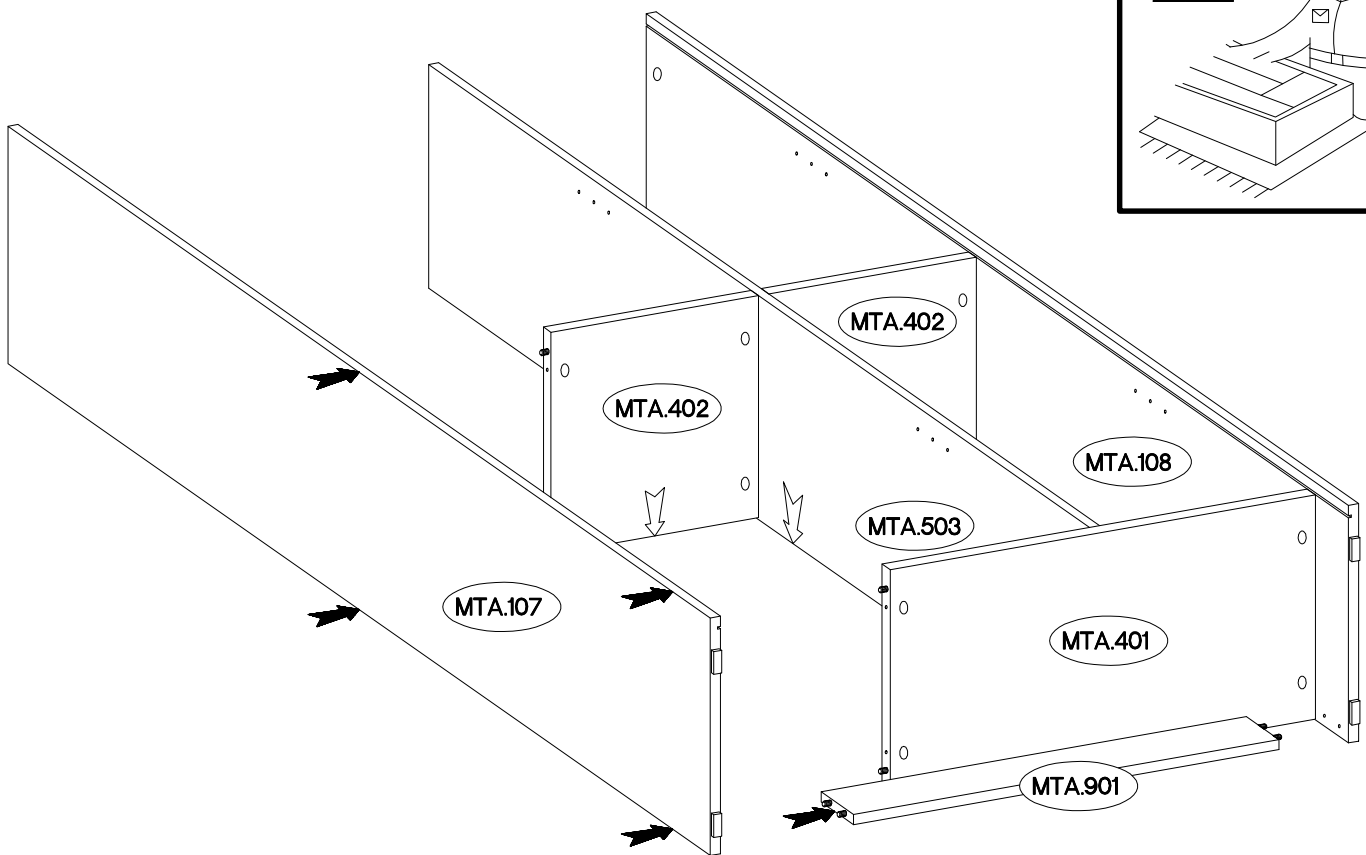
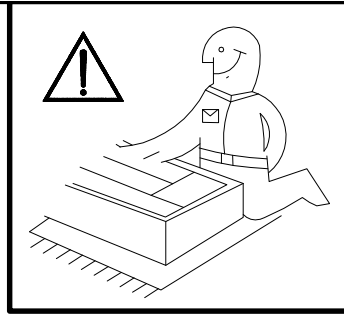
5



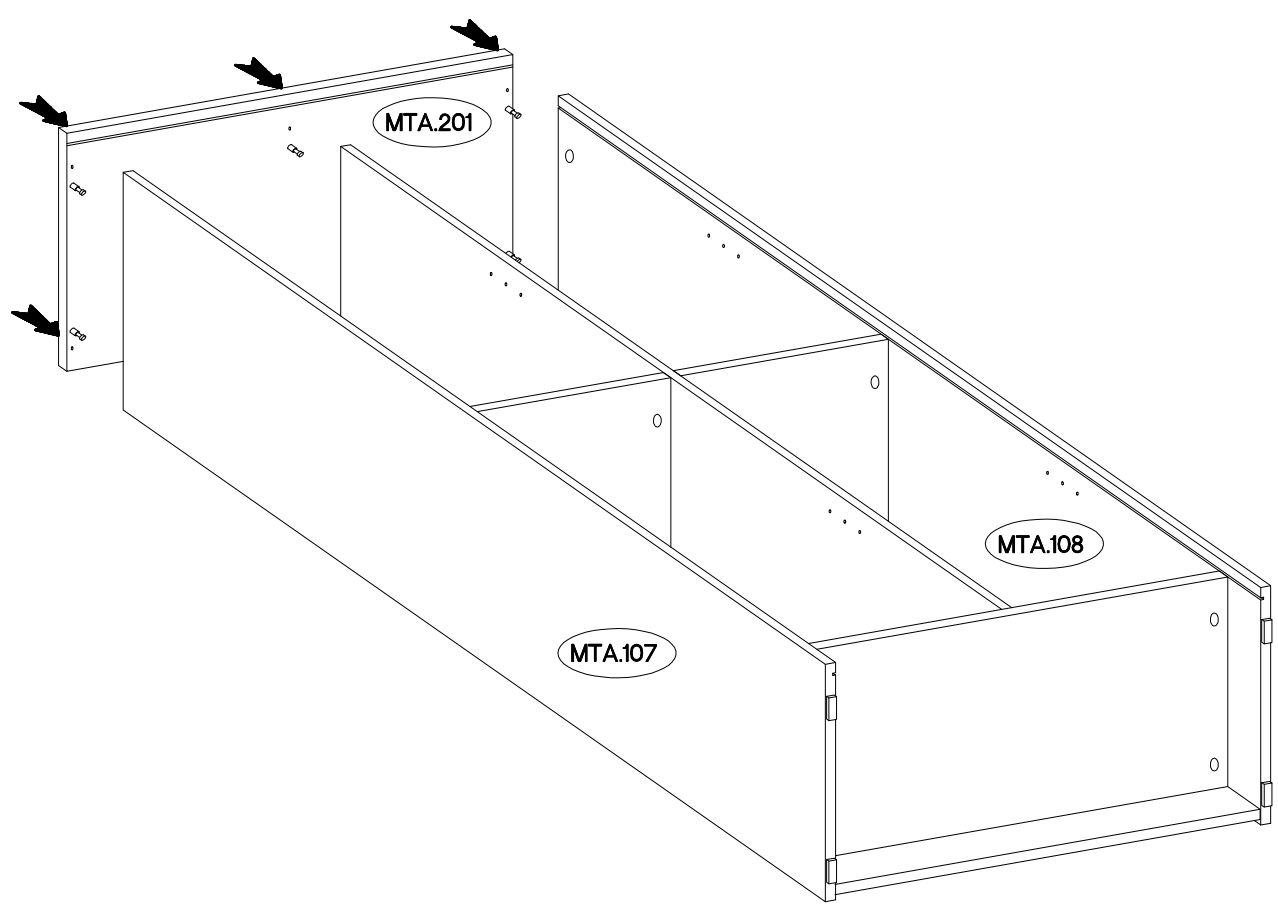
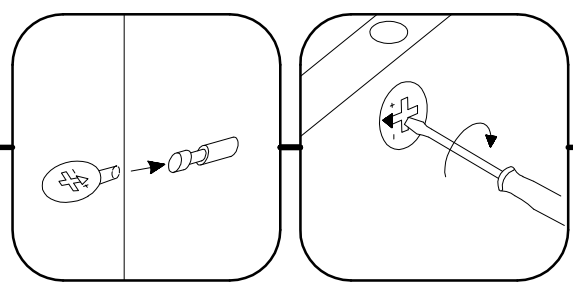
6



7



8

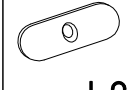


±3.0x20mm



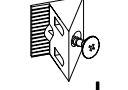
P7

22



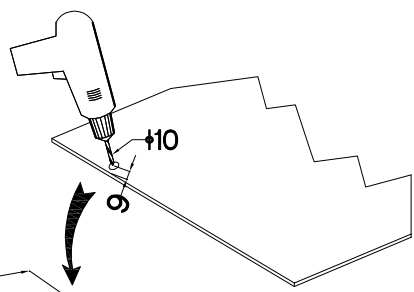
L2

10



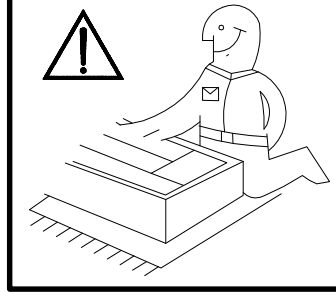
L

14



10

9



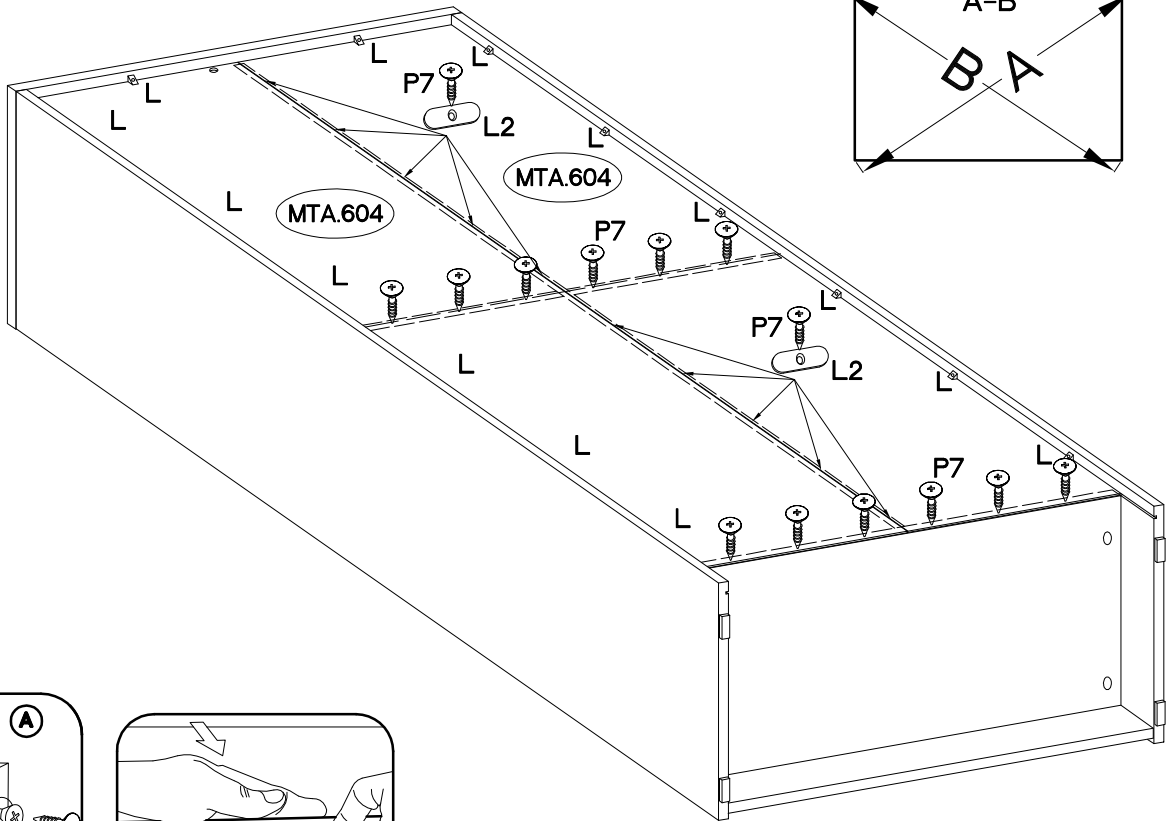
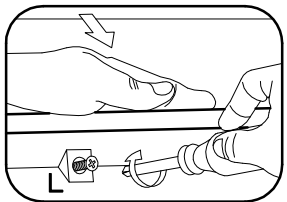
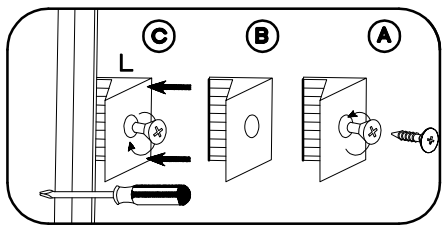
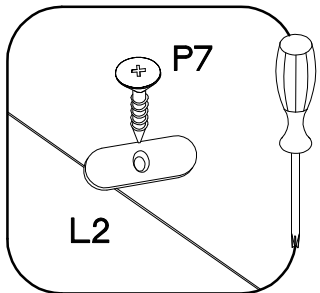
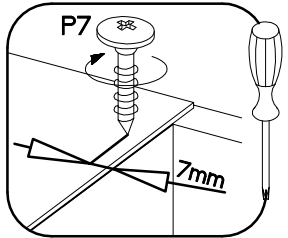
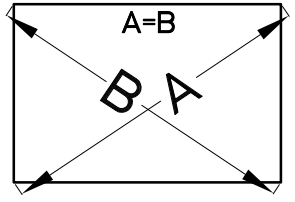
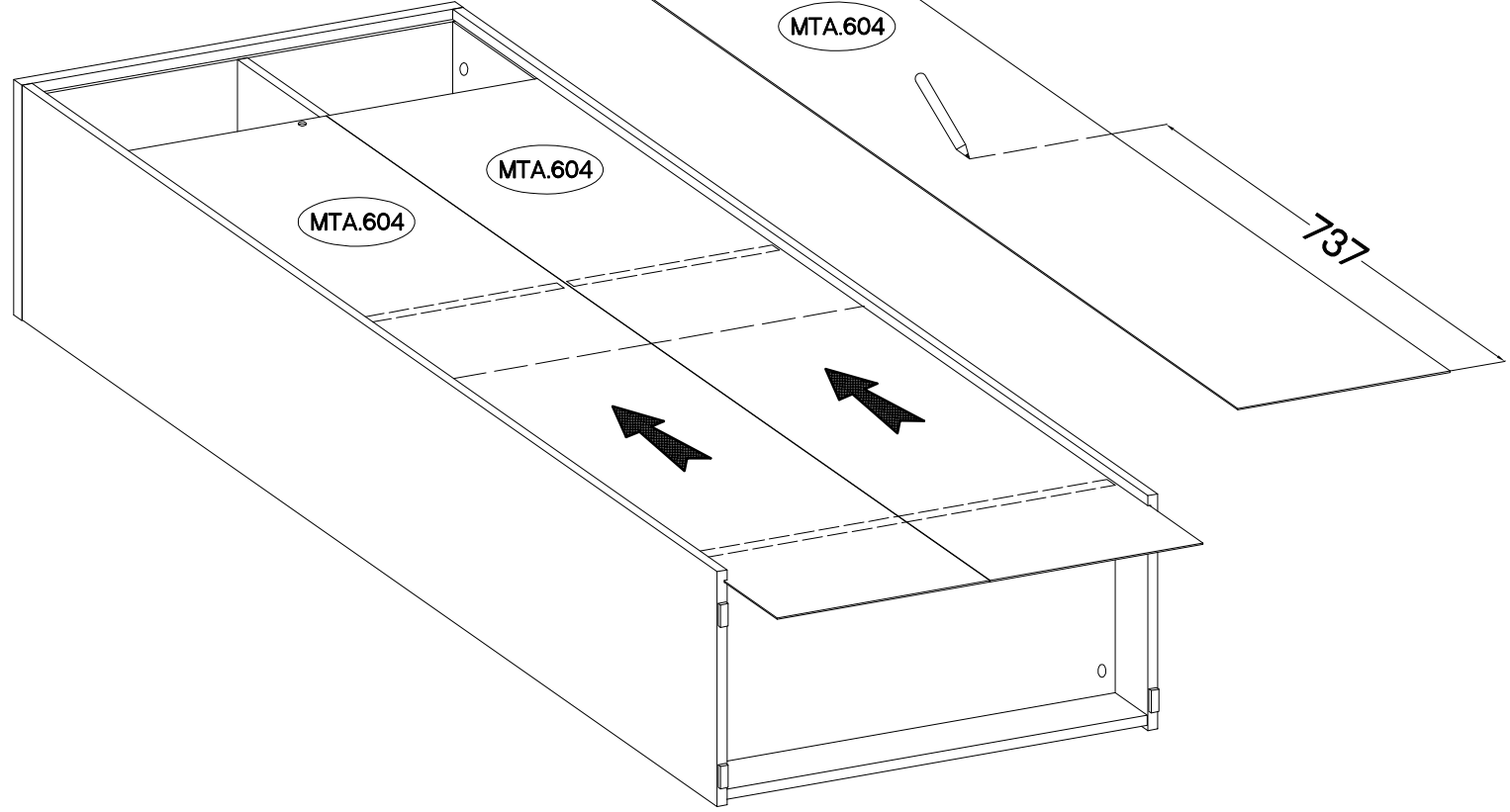
335




MTA.604

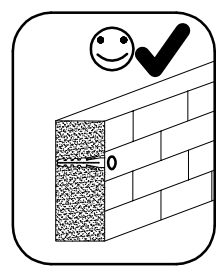
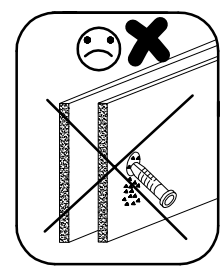
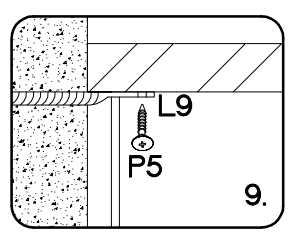
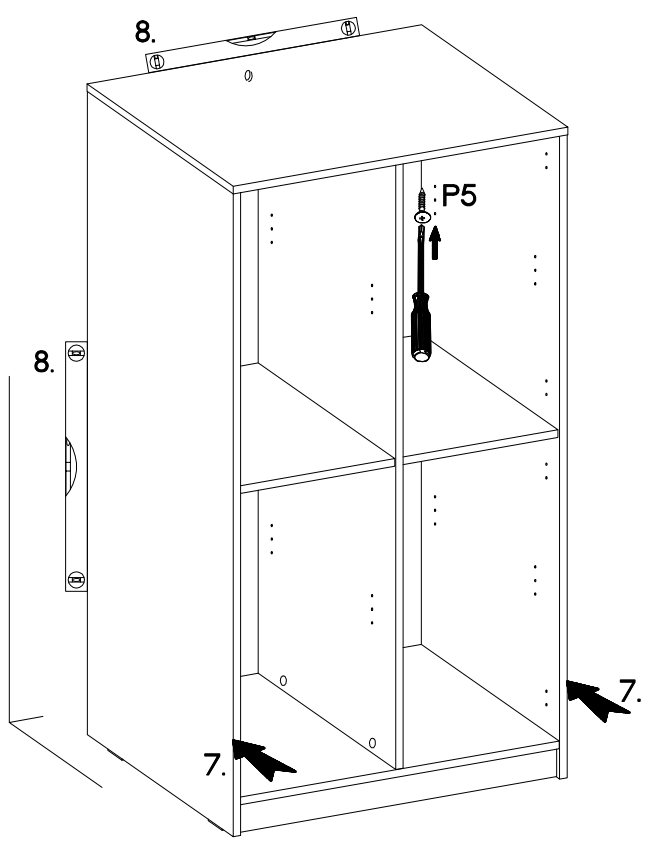
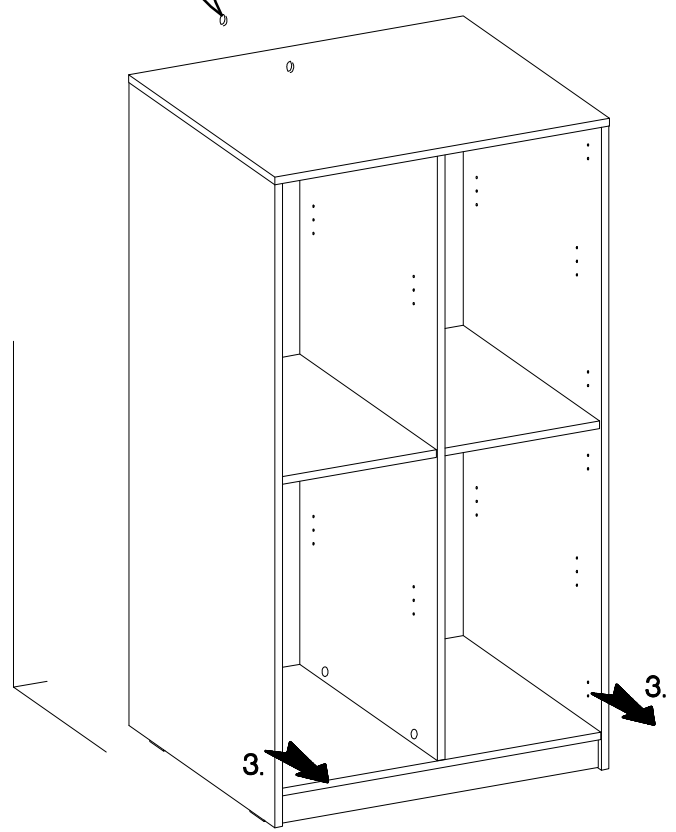
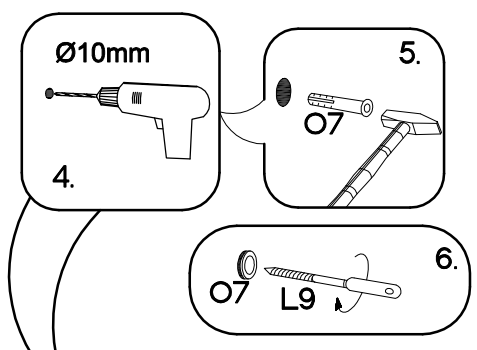
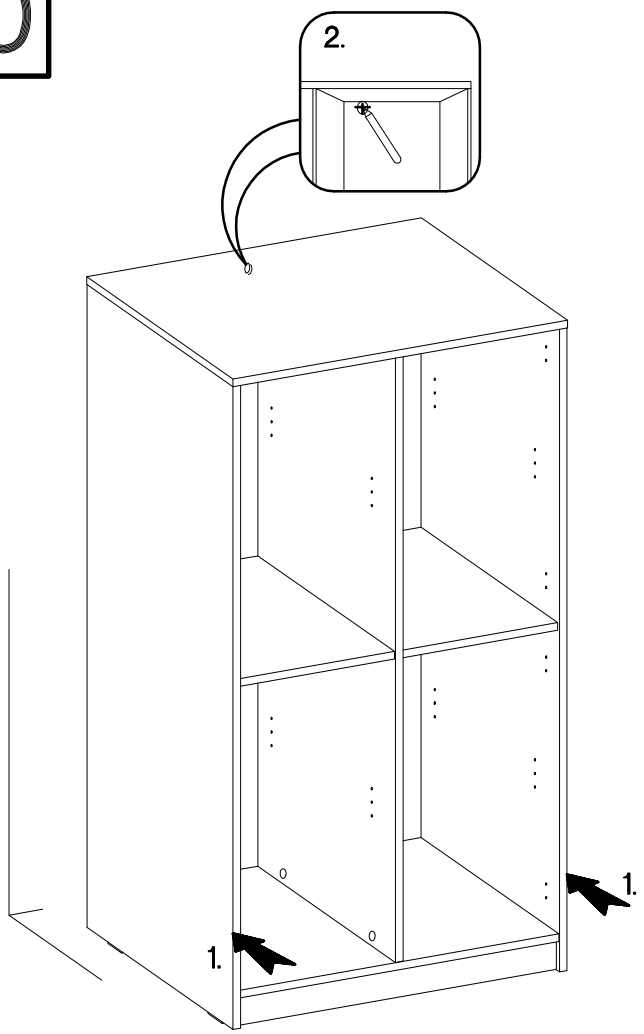
MTA.604

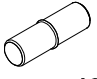
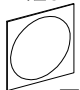
MTA.604

737



 <p>10x50mm</p>	 <p>L9</p>	 <p>3.5x13mm</p>
O7	L9	P5
1	1	1



$\pm 5/16\text{mm}$  J3 16	± 20  E11 16
---	---

