

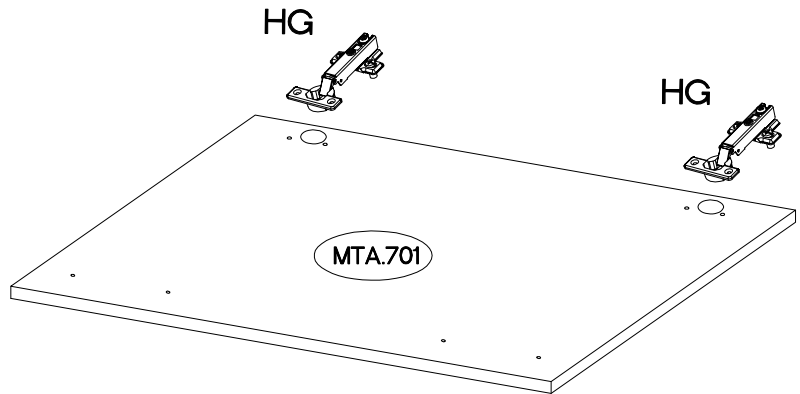
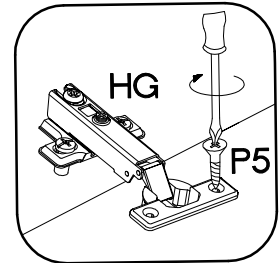
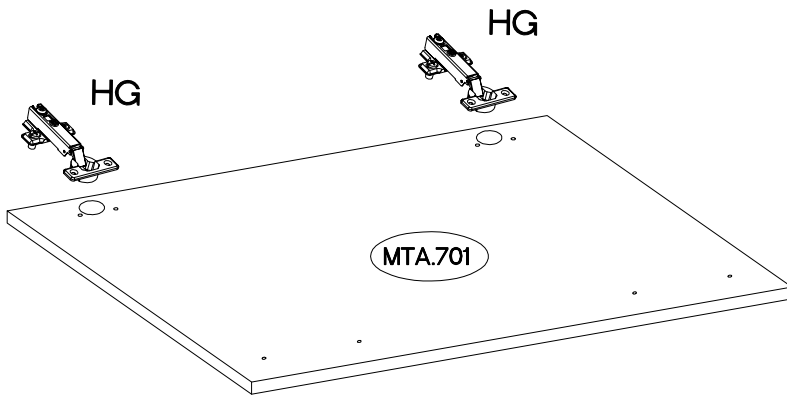
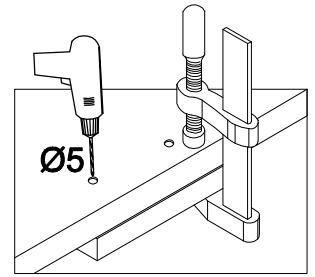
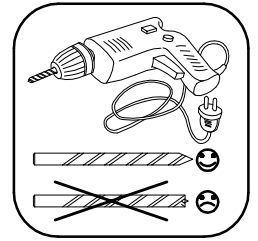
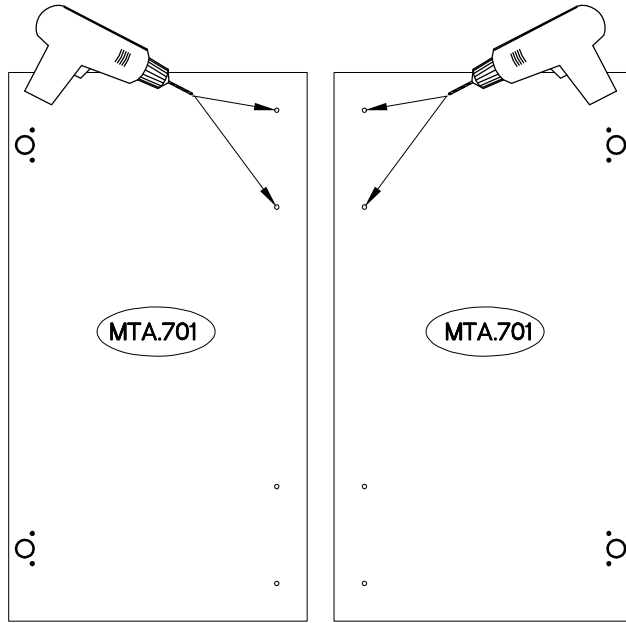


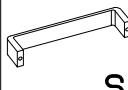

| †35/0mm | †3.5x13mm | L=128mm | M4x22mm |
|---------|-----------|---------|---------|
|         |           |         |         |
| [CD] HG | P5        | S       | U       |
| 4       | 8         | 2       | 4       |

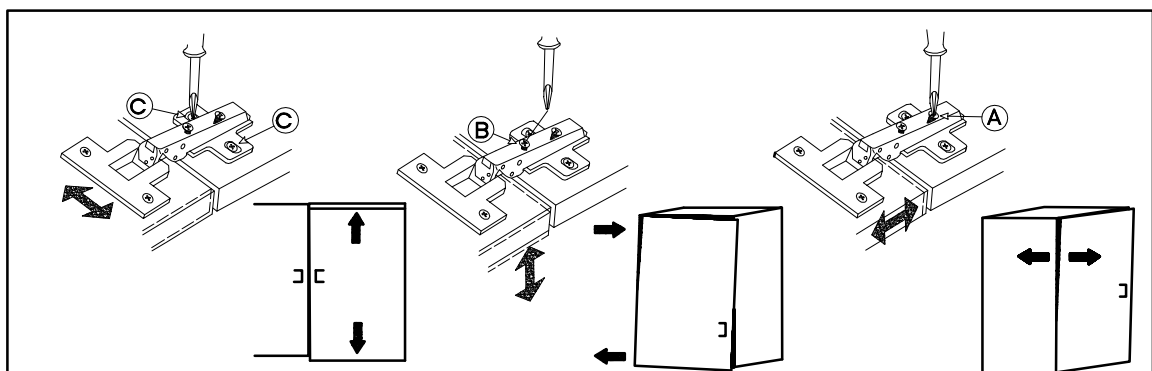
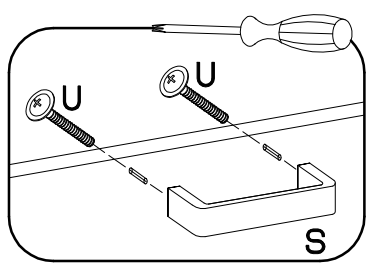
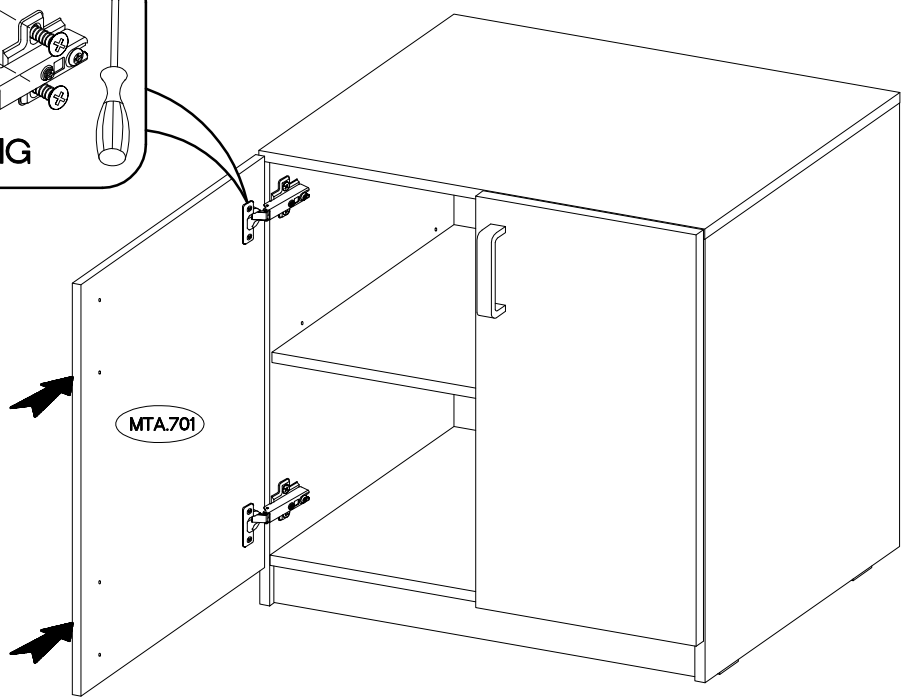
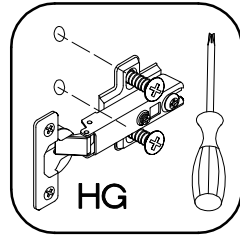
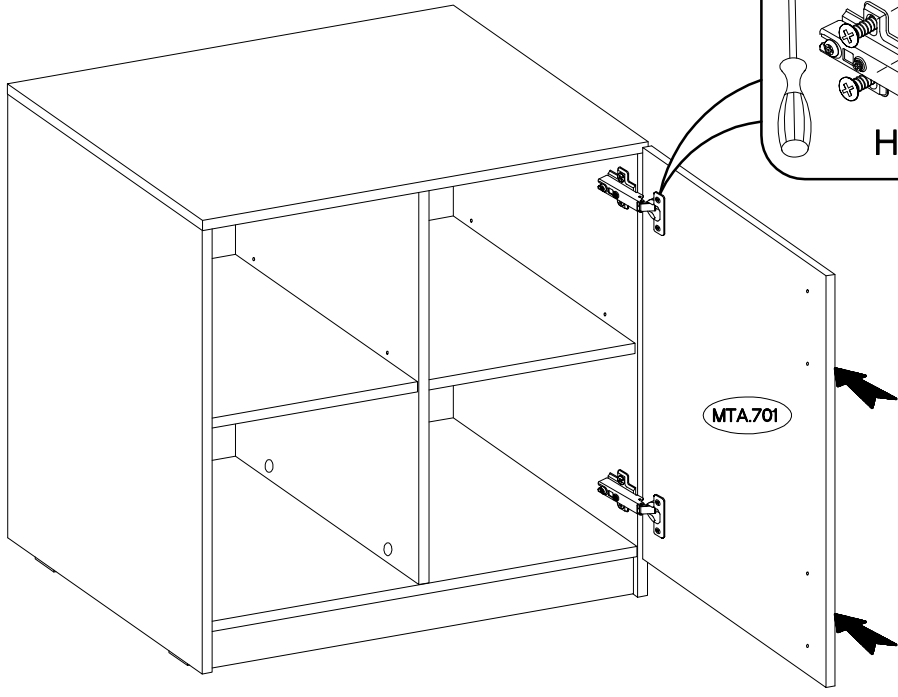
|            |            |
|------------|------------|
| MTA.701 x2 | 726x395x16 |
|------------|------------|

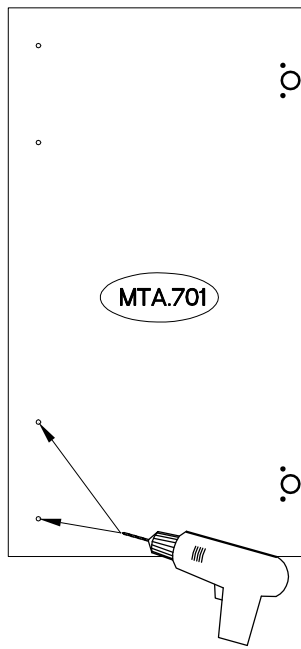
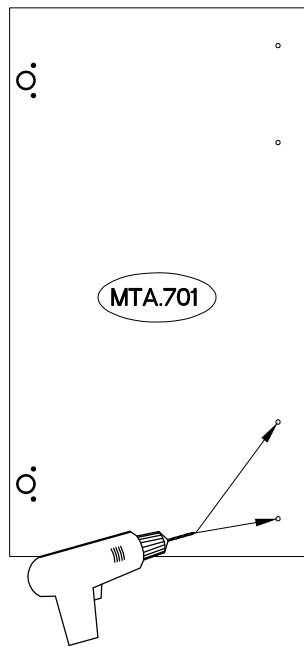
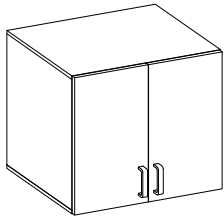
|   |   |
|---|---|
| $\pm 35/0\text{mm}$   | $\pm 3.5 \times 13\text{mm}$  |
| <br>[CD] HG | <br>P5 |
| 4   | 8   |



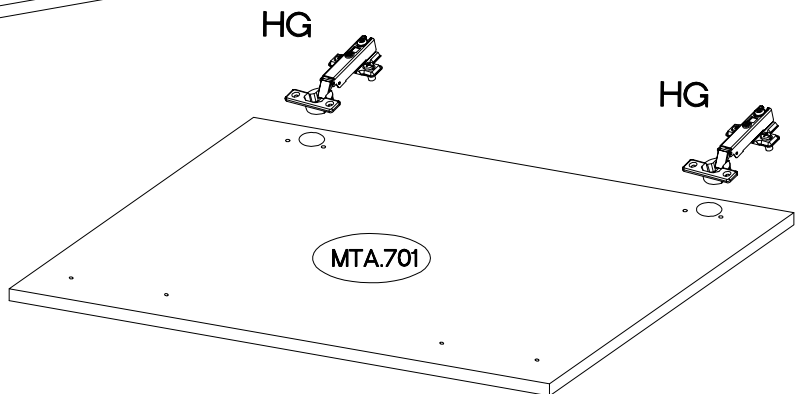
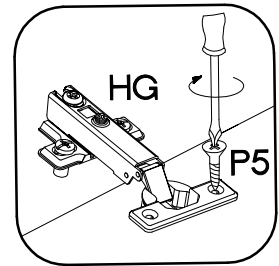
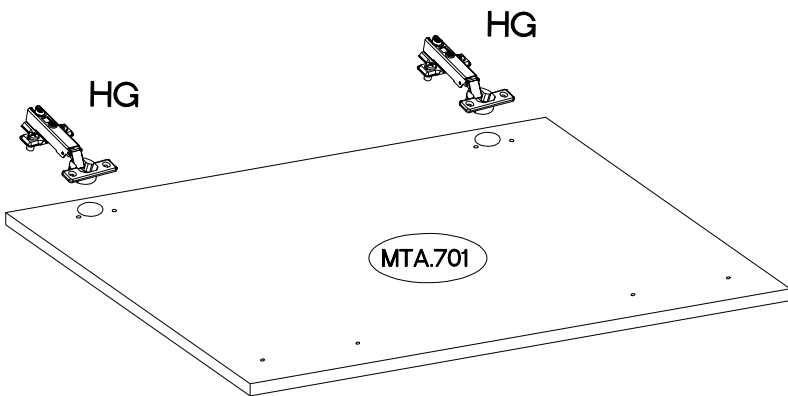
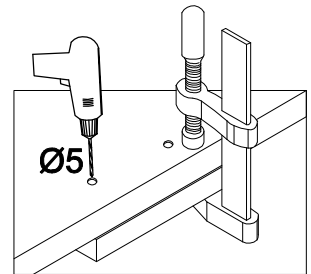
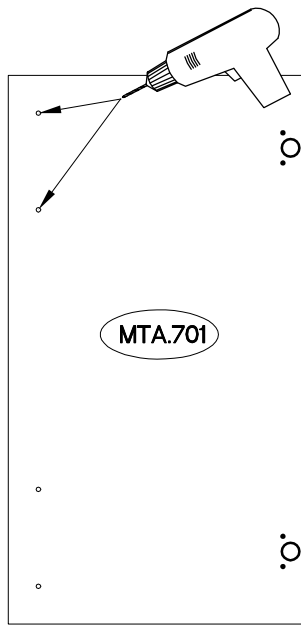
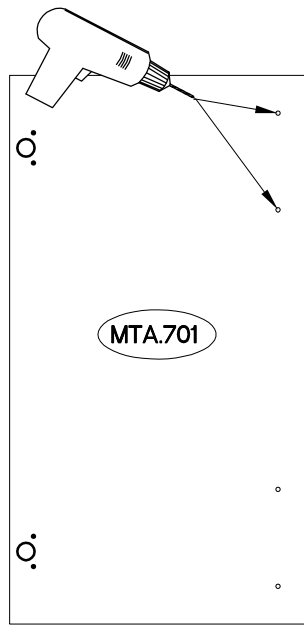
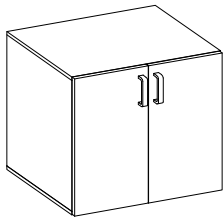
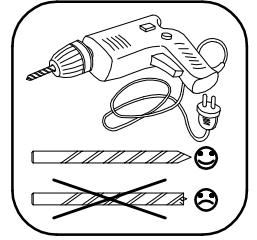
2

|  |  |
|--|--|
| L=128mm  | M4x22mm  |
|  |  |
| S  | U  |
| 2  | 4  |

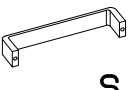



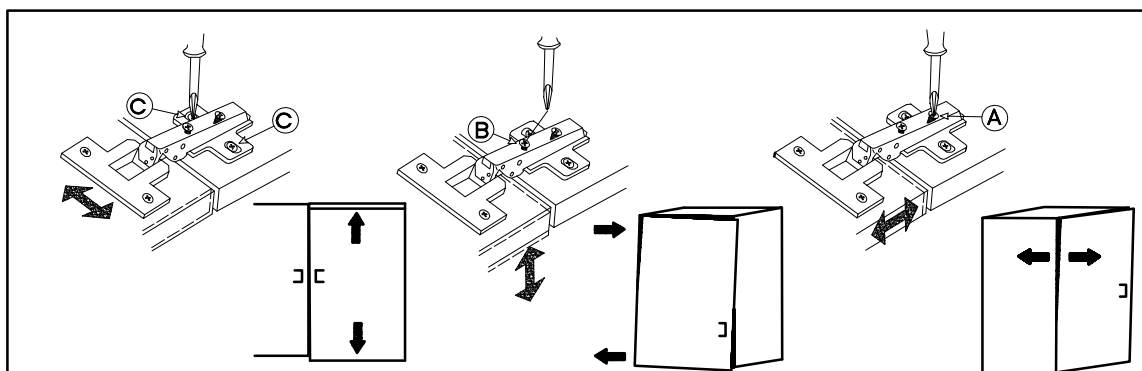
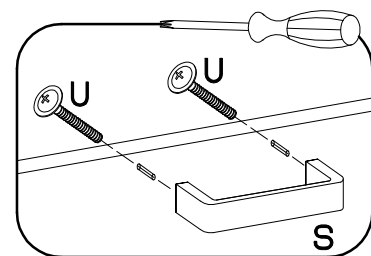
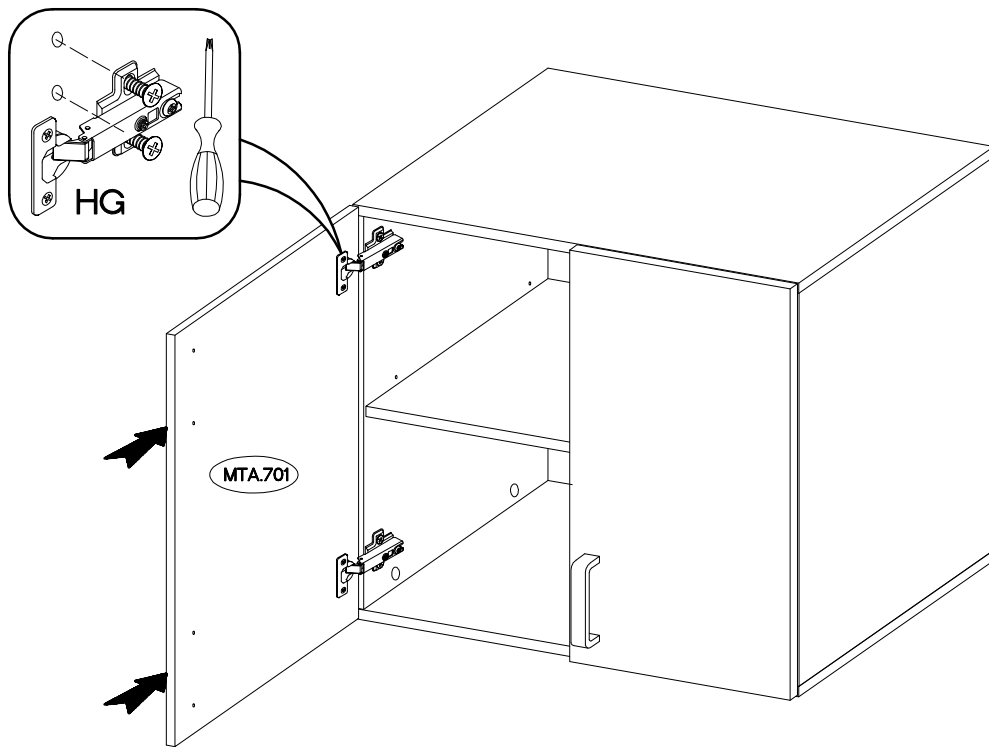
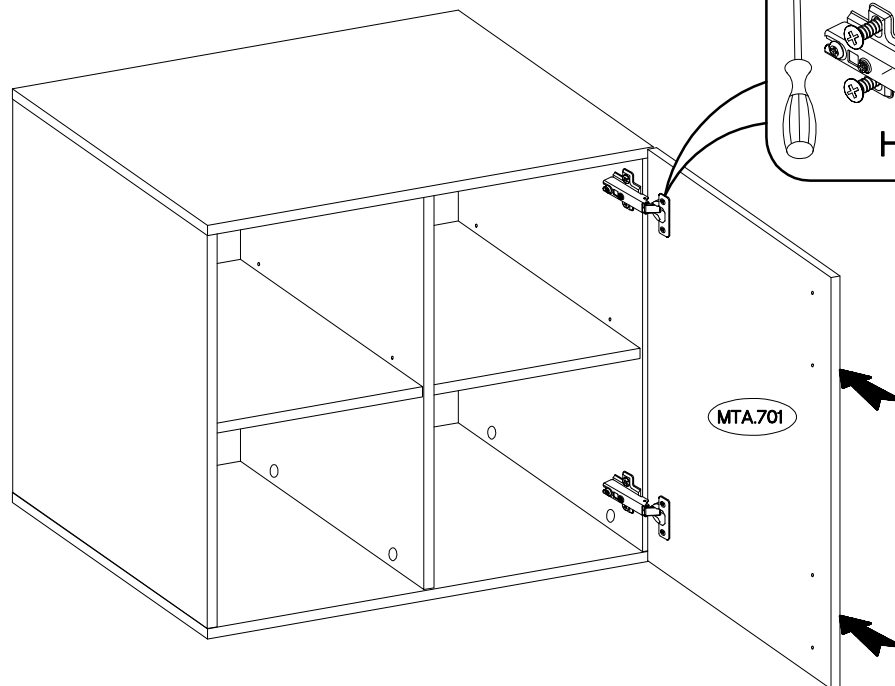


|   |  |
|---|--|
| $\varnothing 35/0mm$<br>[CD]<br>HG<br>4 | $\varnothing 3.5 \times 13mm$<br>P5<br>8 |
|---|--|



4

|  |  |
|--|--|
| L=128mm  | M4x22mm  |
|  |  |
| S  | U  |
| 2  | 4  |



5

