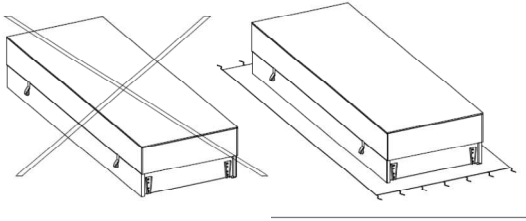
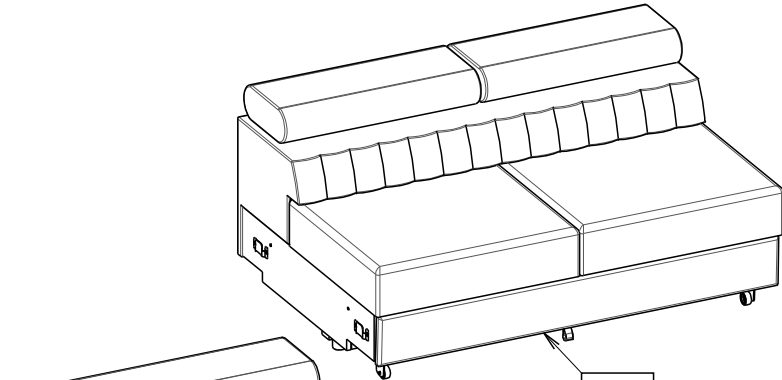


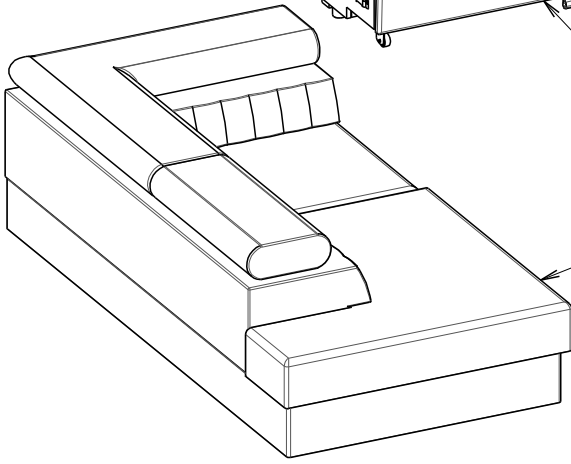
40min



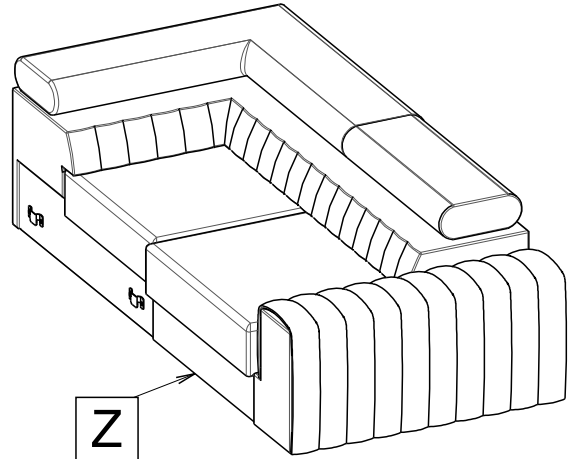
O	1x
W	1x
Z	1x



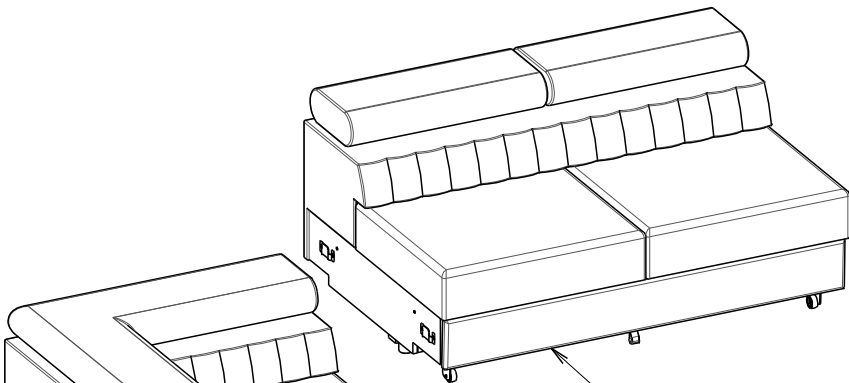
W



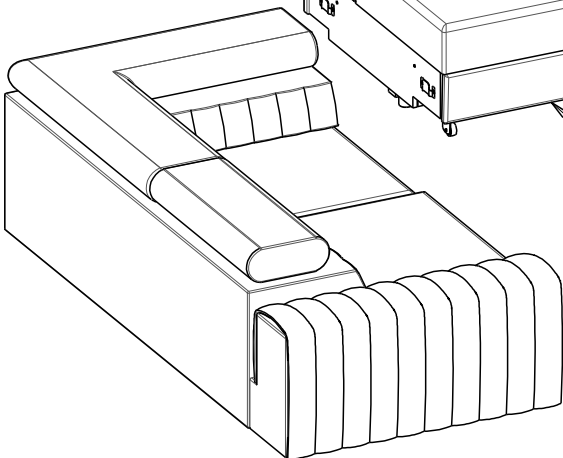
O



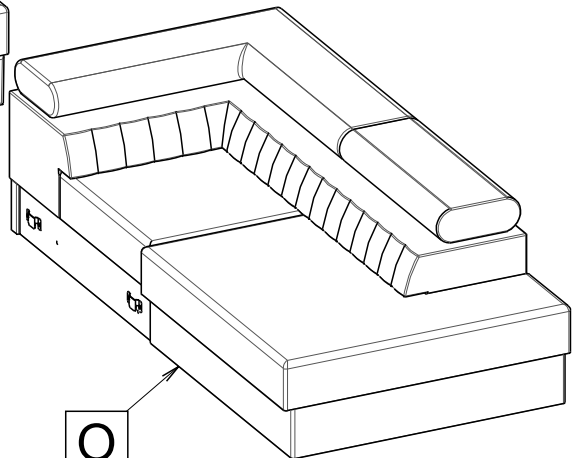
Z



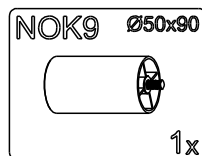
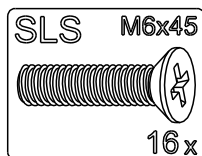
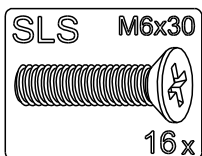
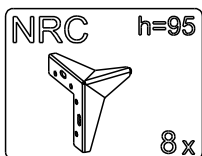
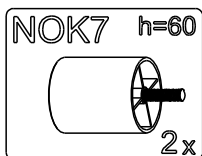
W



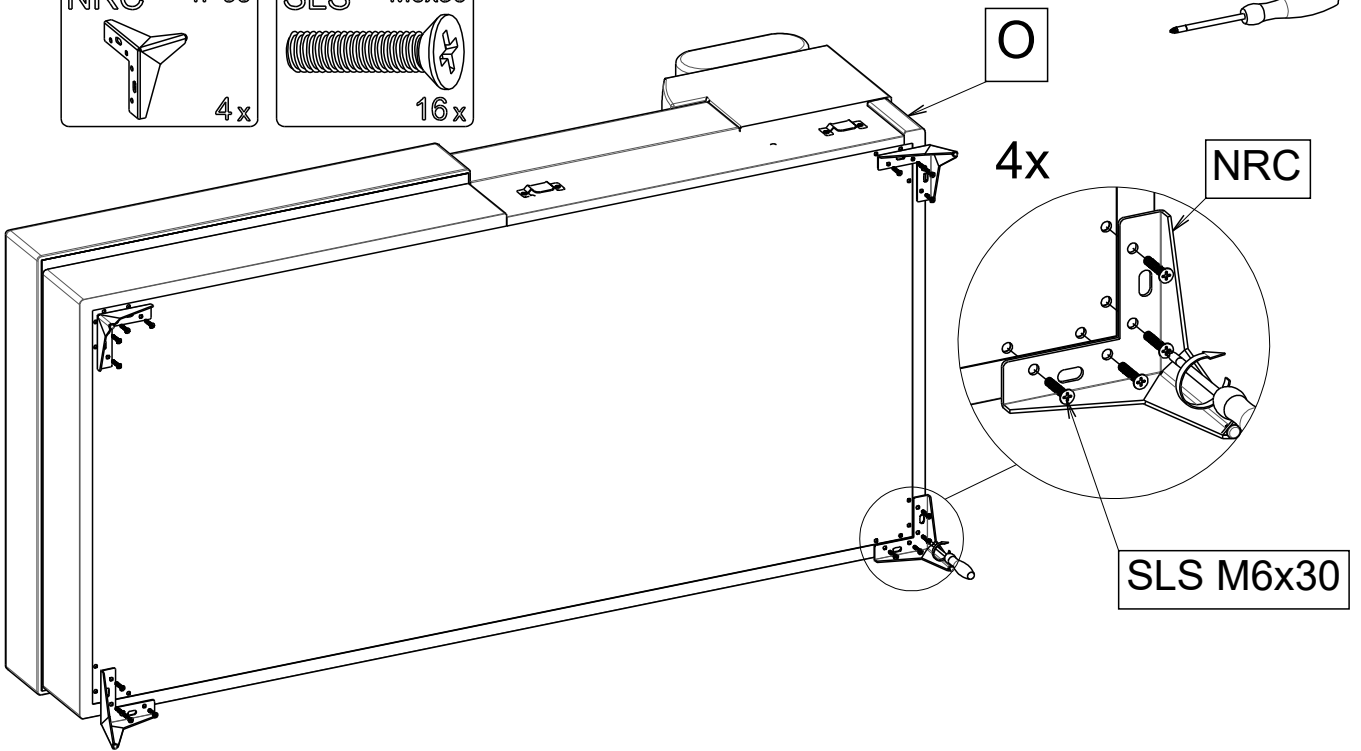
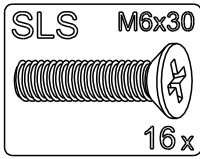
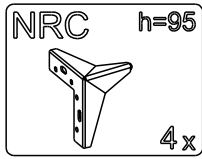
Z



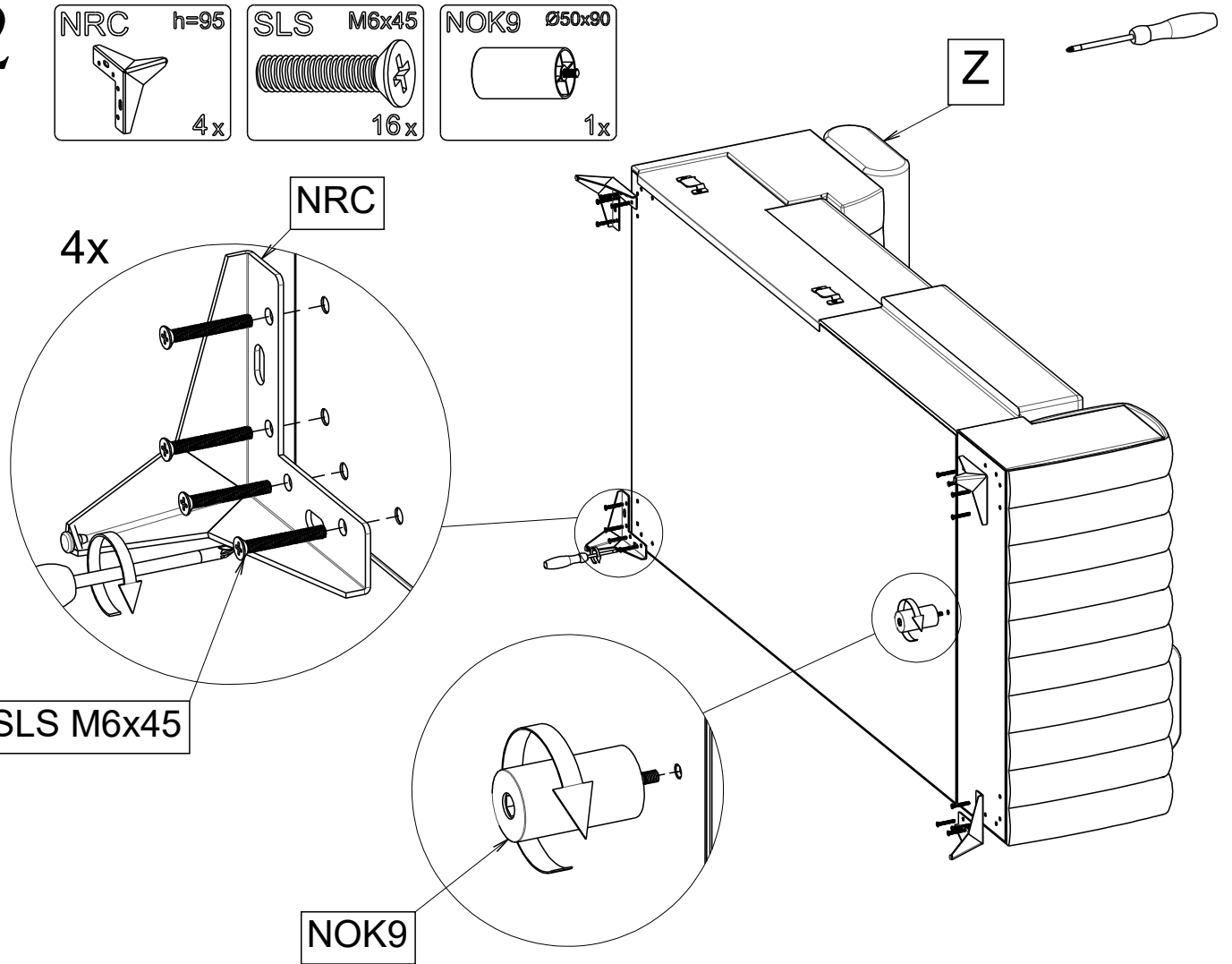
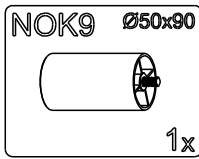
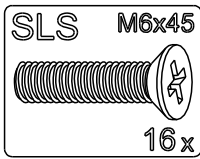
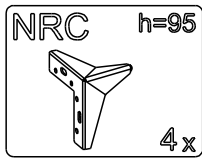
O



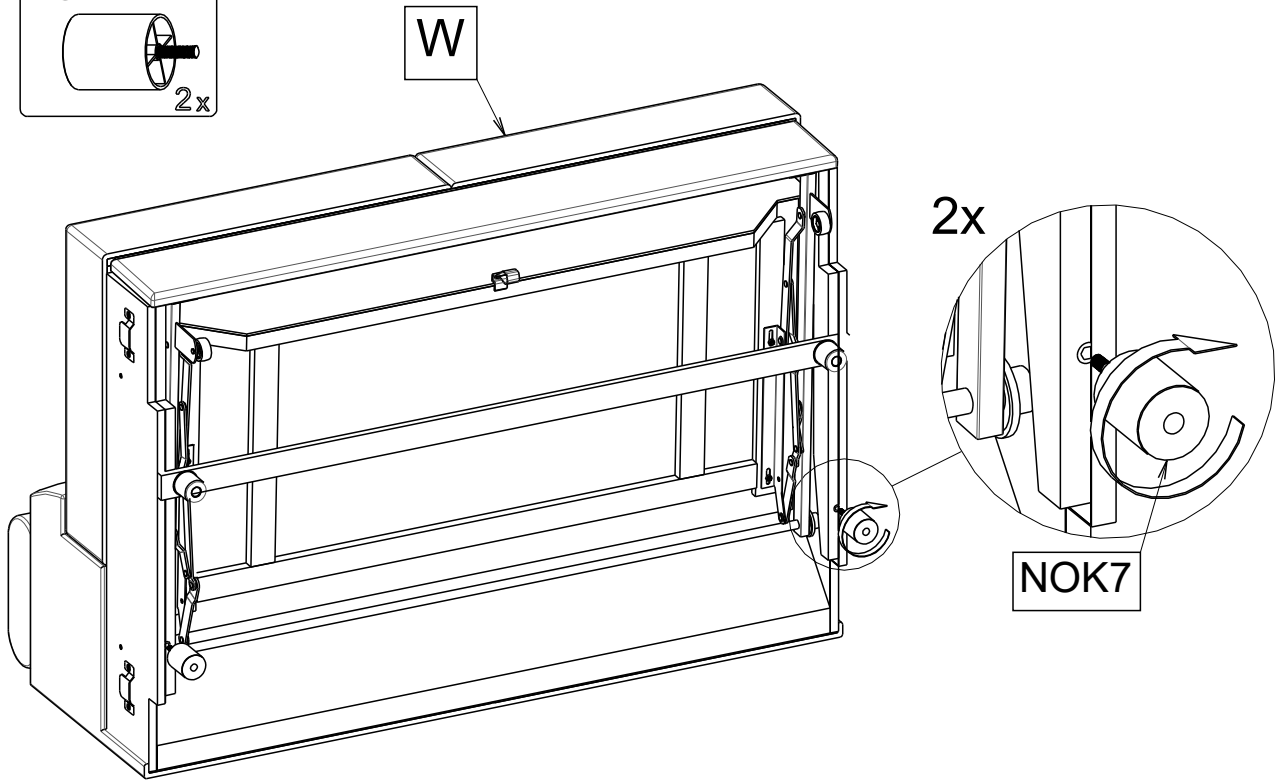
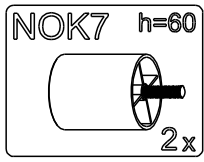
1



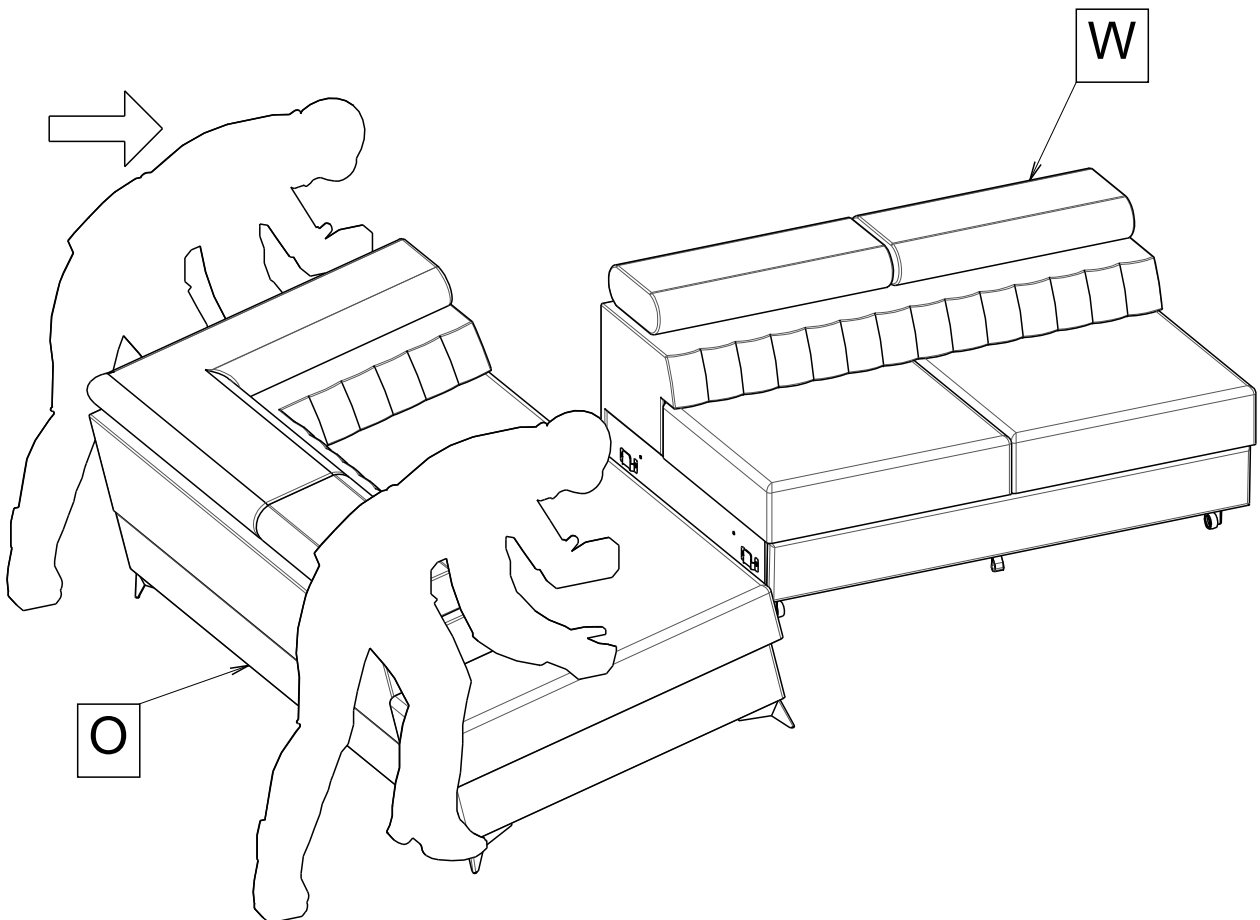
2



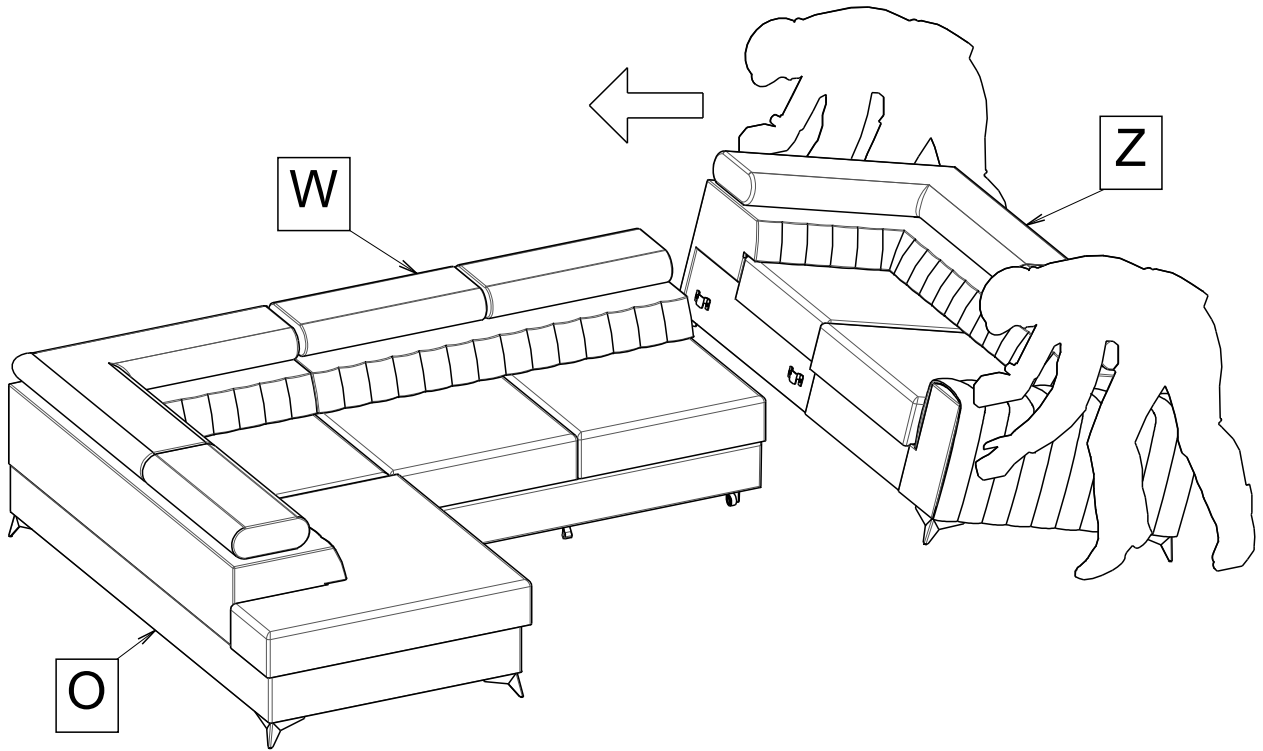
3



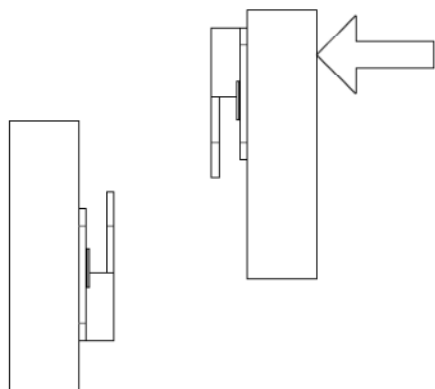
4



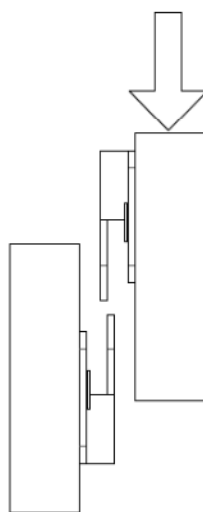
5



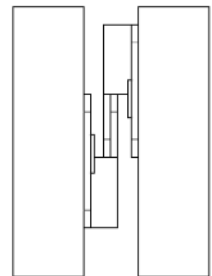
1)



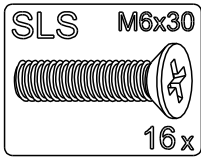
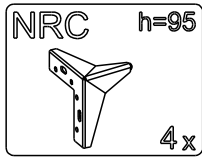
2)



3)

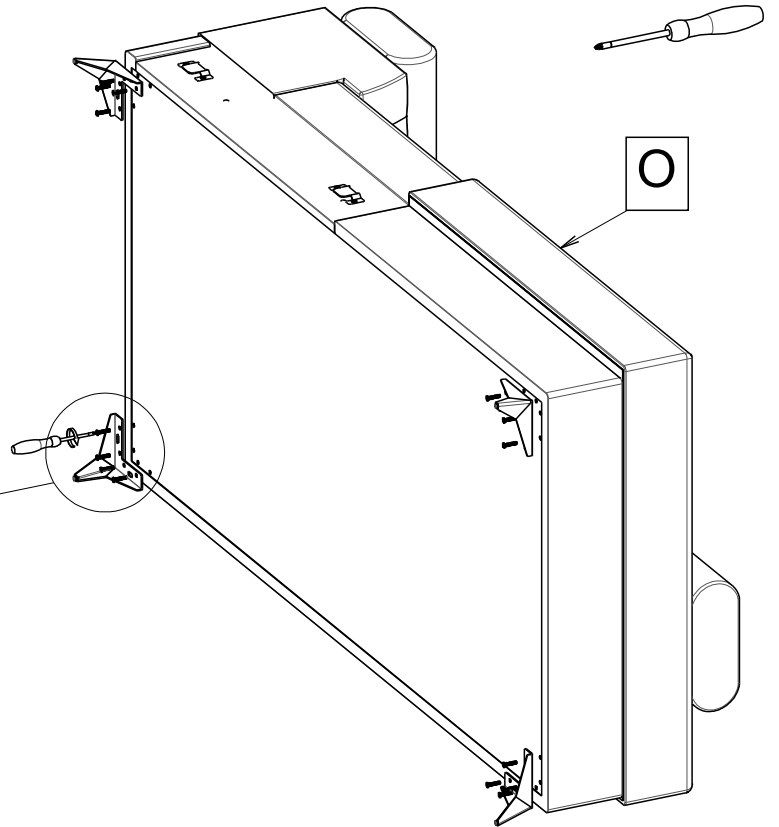
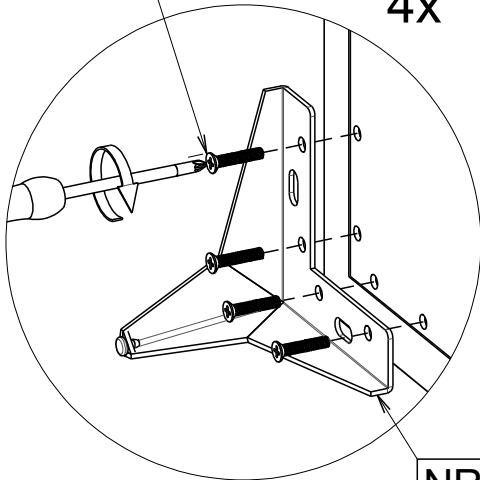


1

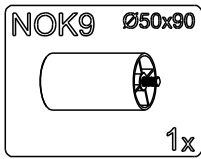
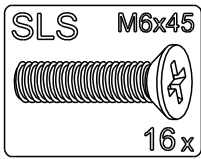
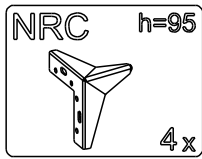


SLS M6x30

4x



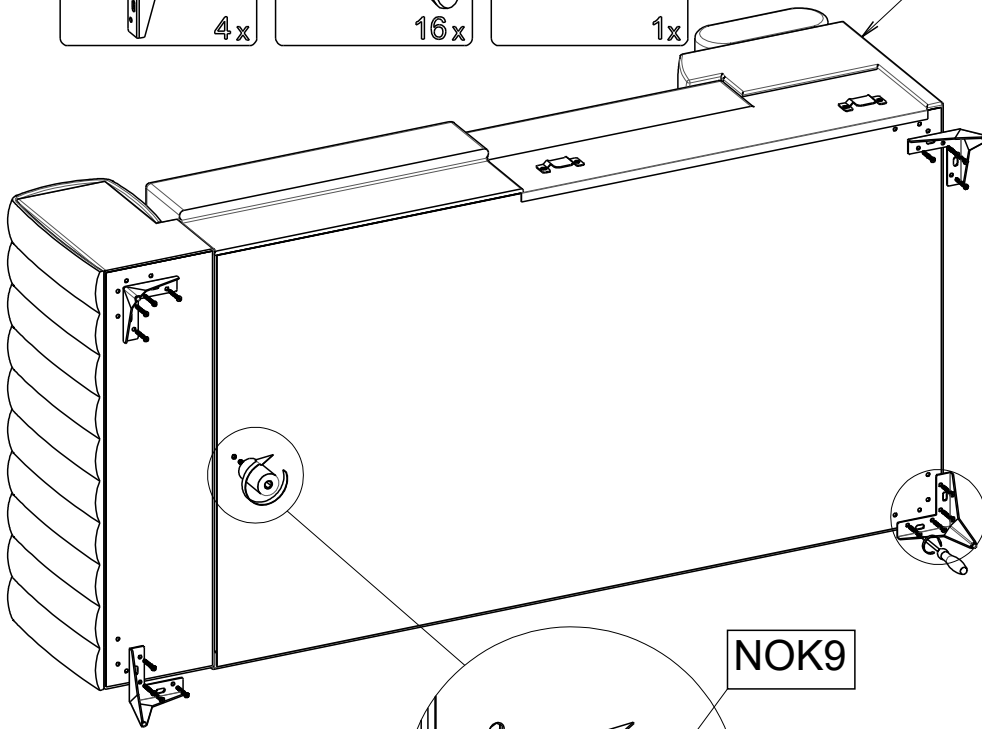
2



Z

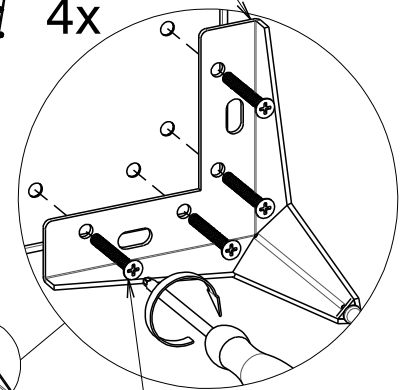
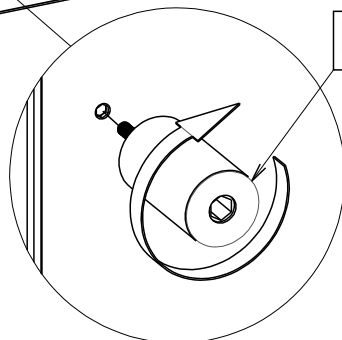
NRC

4x

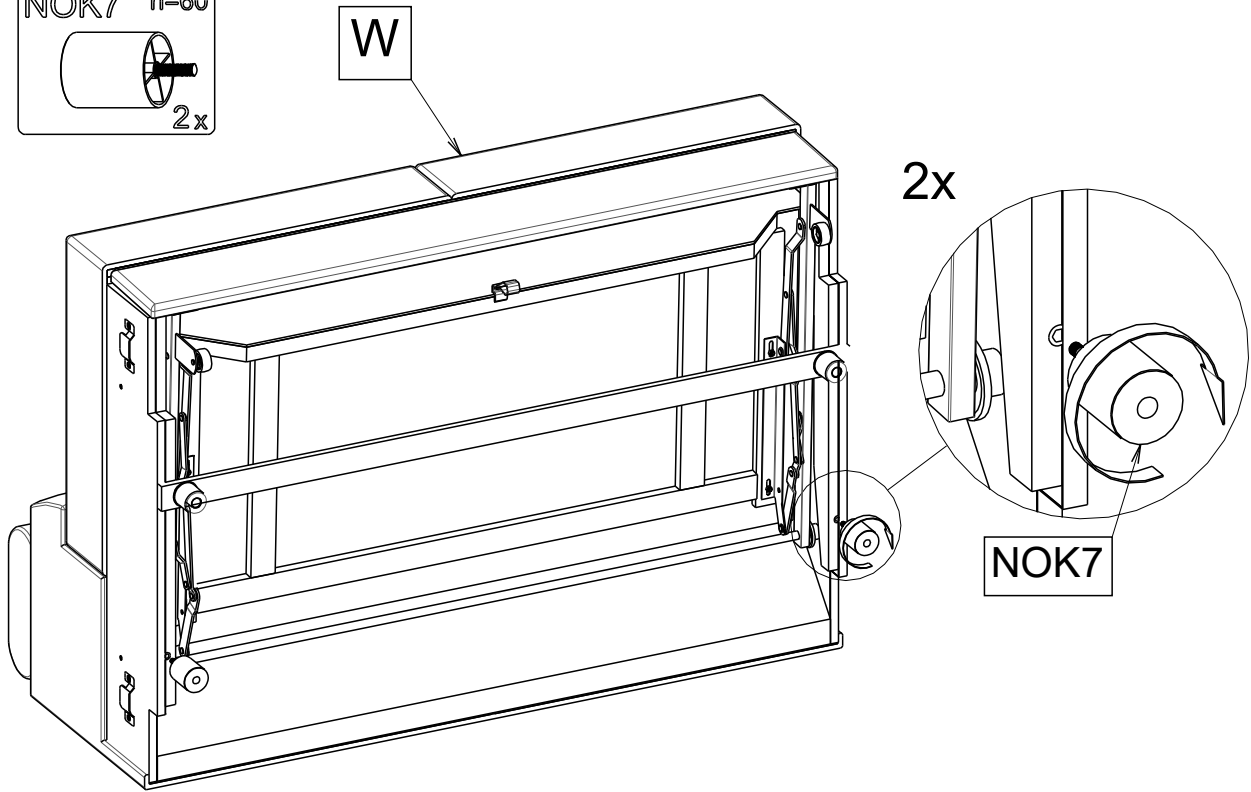
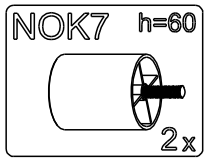


SLS M6x45

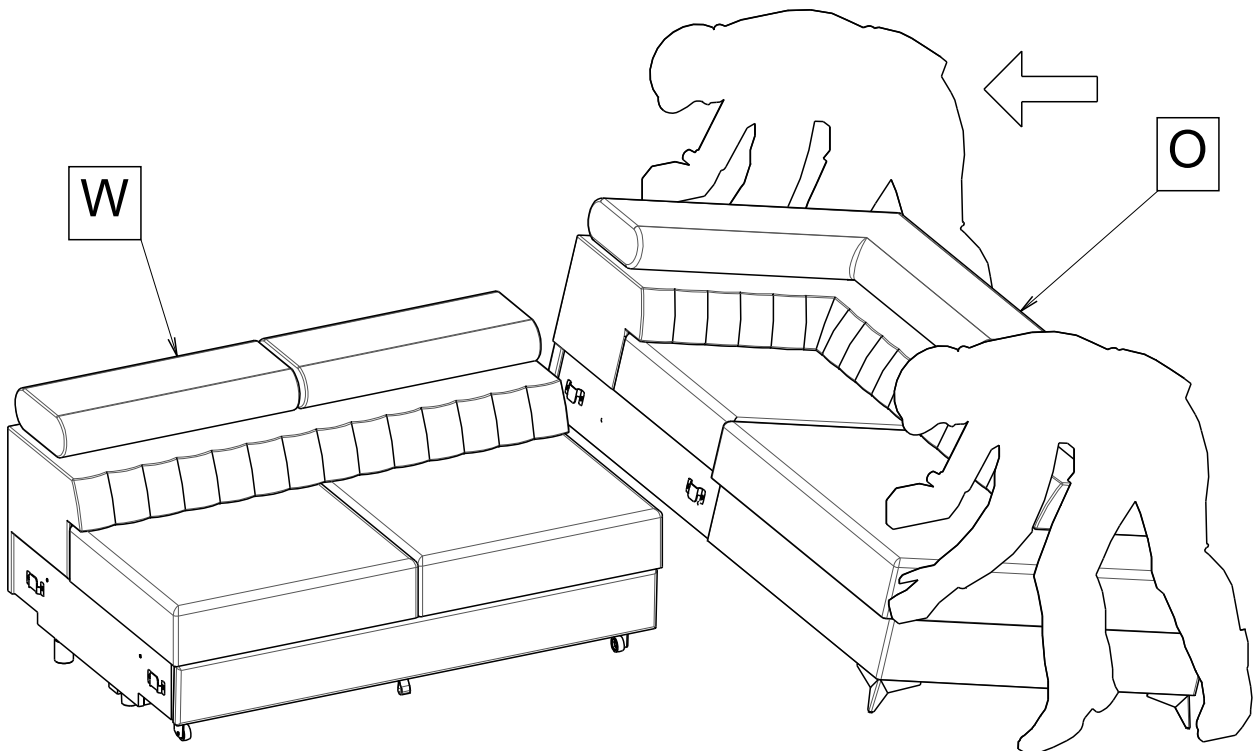
NOK9



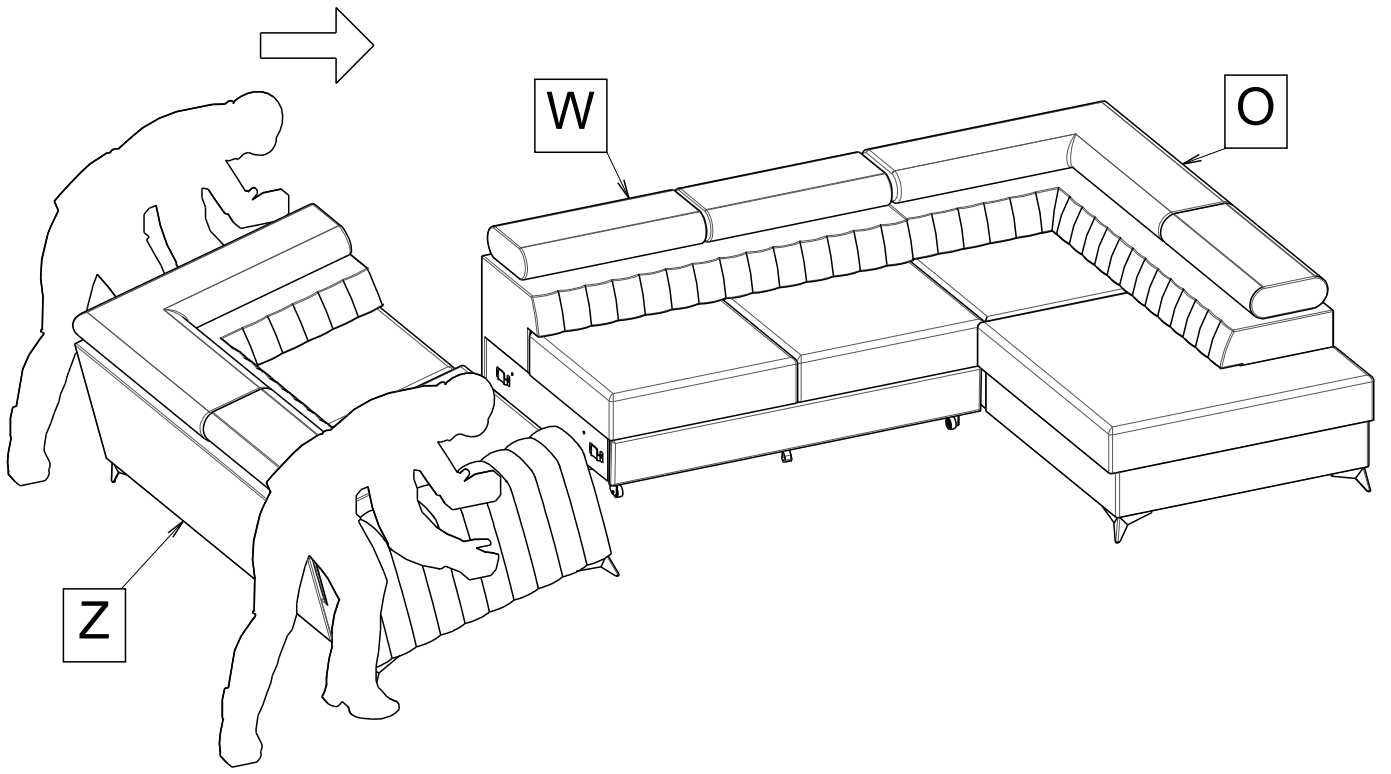
3



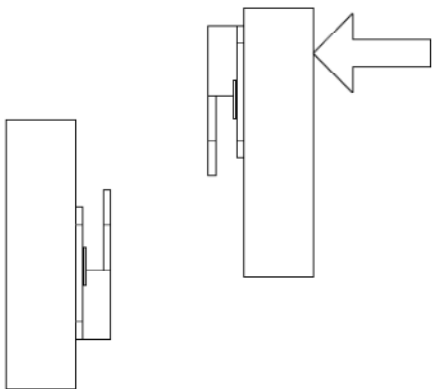
4



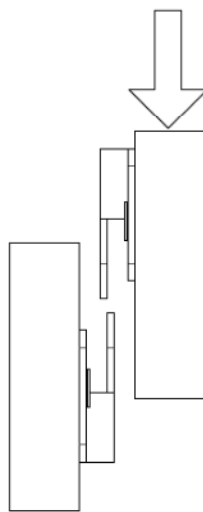
5



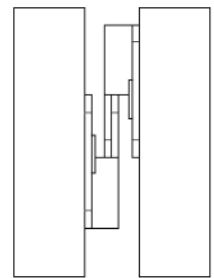
1)



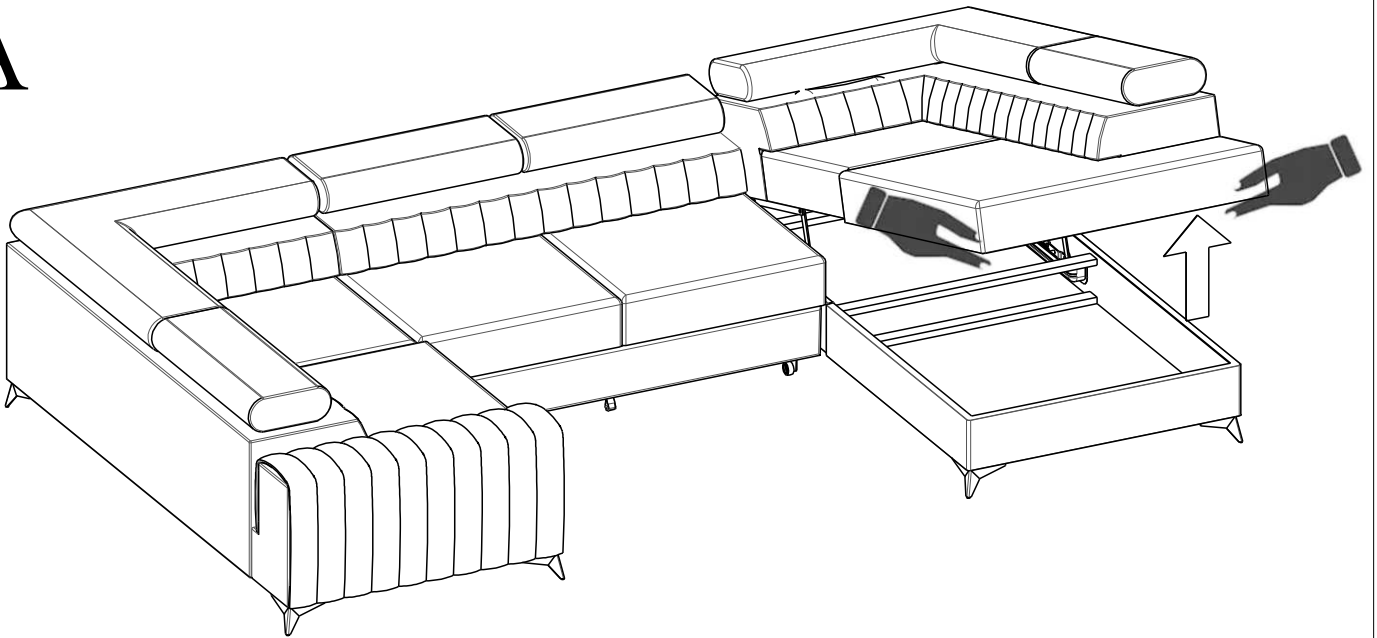
2)



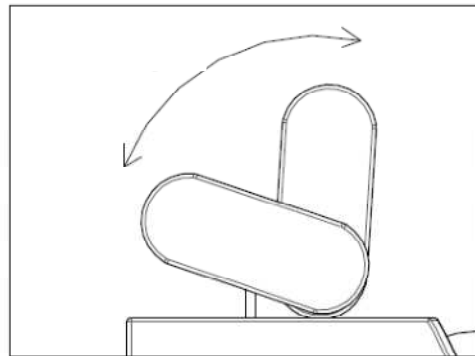
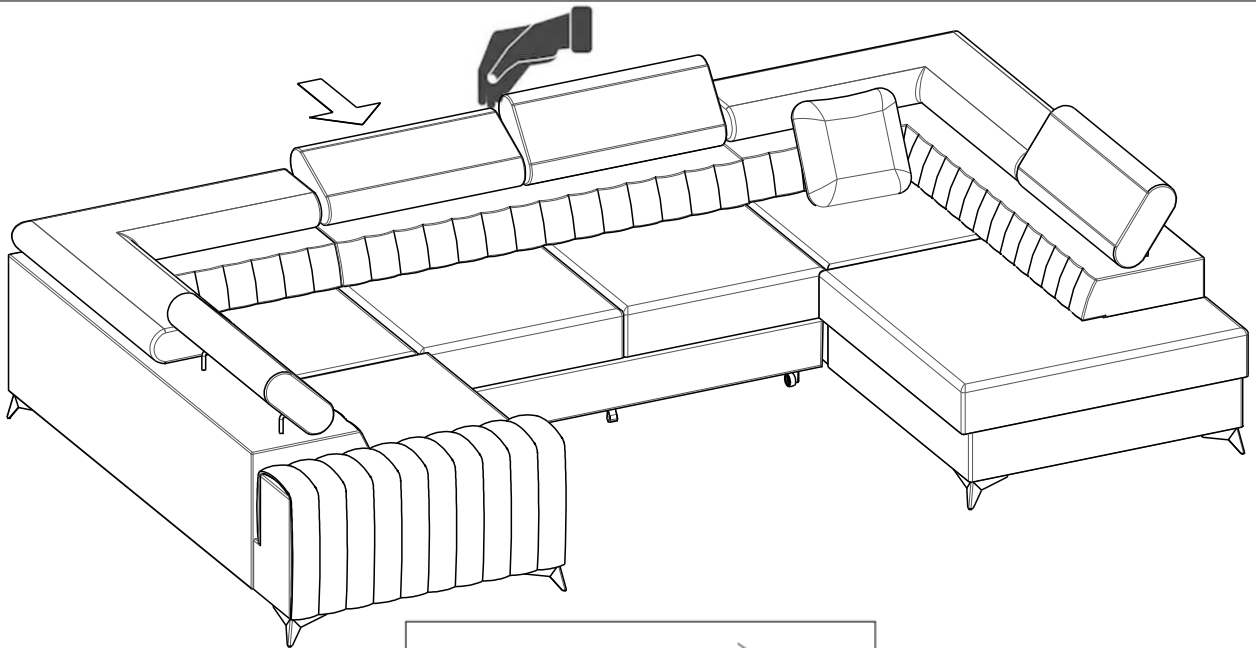
3)



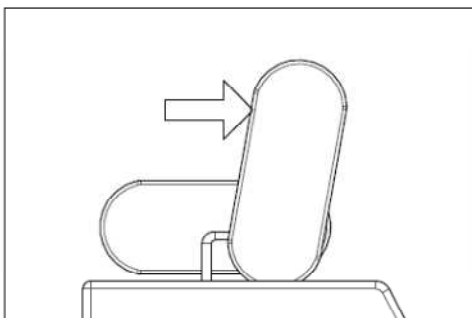
A



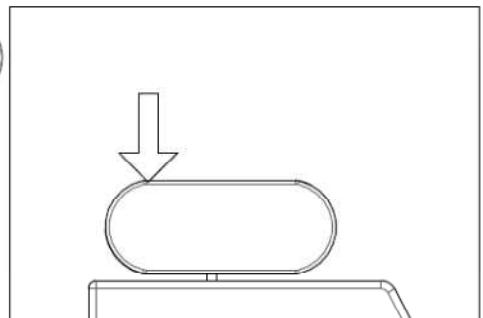
B



1



2



C

