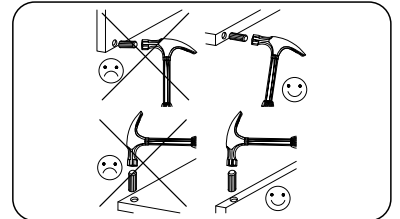
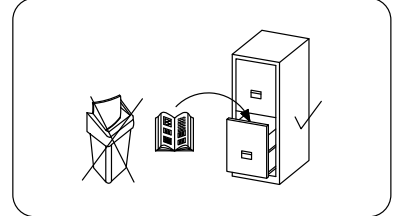
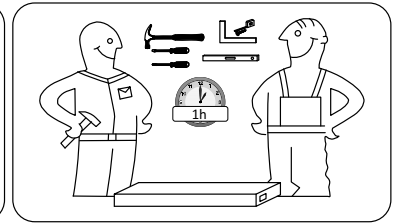
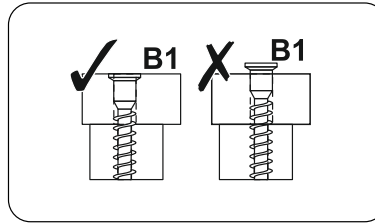
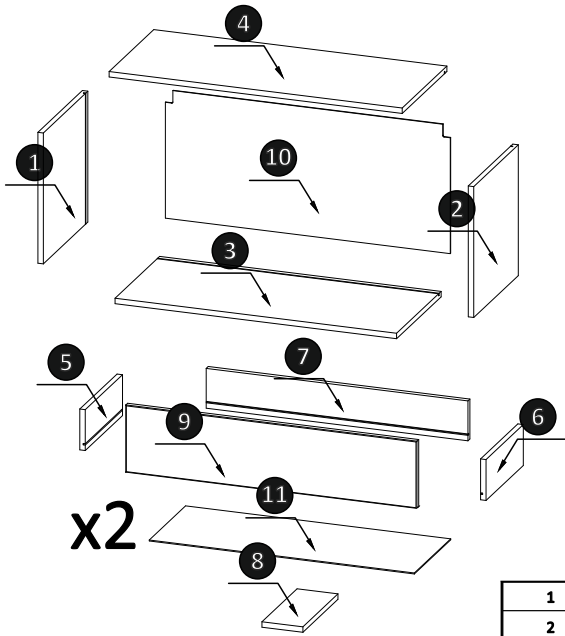
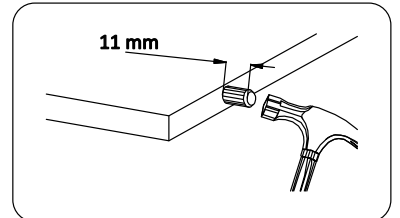


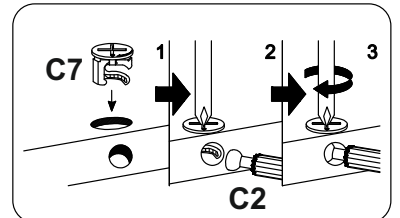
E9



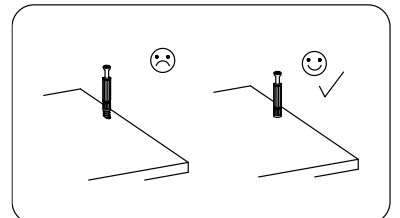
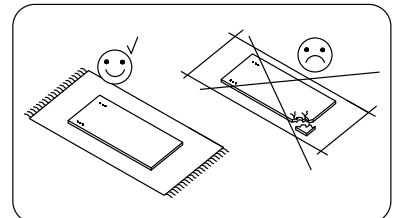
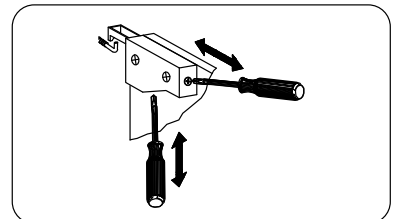
1	1	368	359	16
2	1	368	359	16
3	1	860	360	16
4	1	860	360	16
5	2	300	120	16
6	2	300	120	16
7	2	768	117	16
8	2	283	120	16
9	2	854	197	16
10	1	836	377	3
11	2	778	293	3

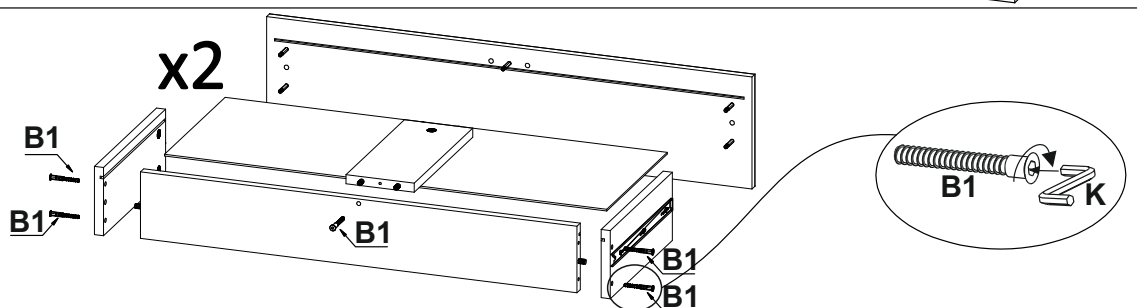
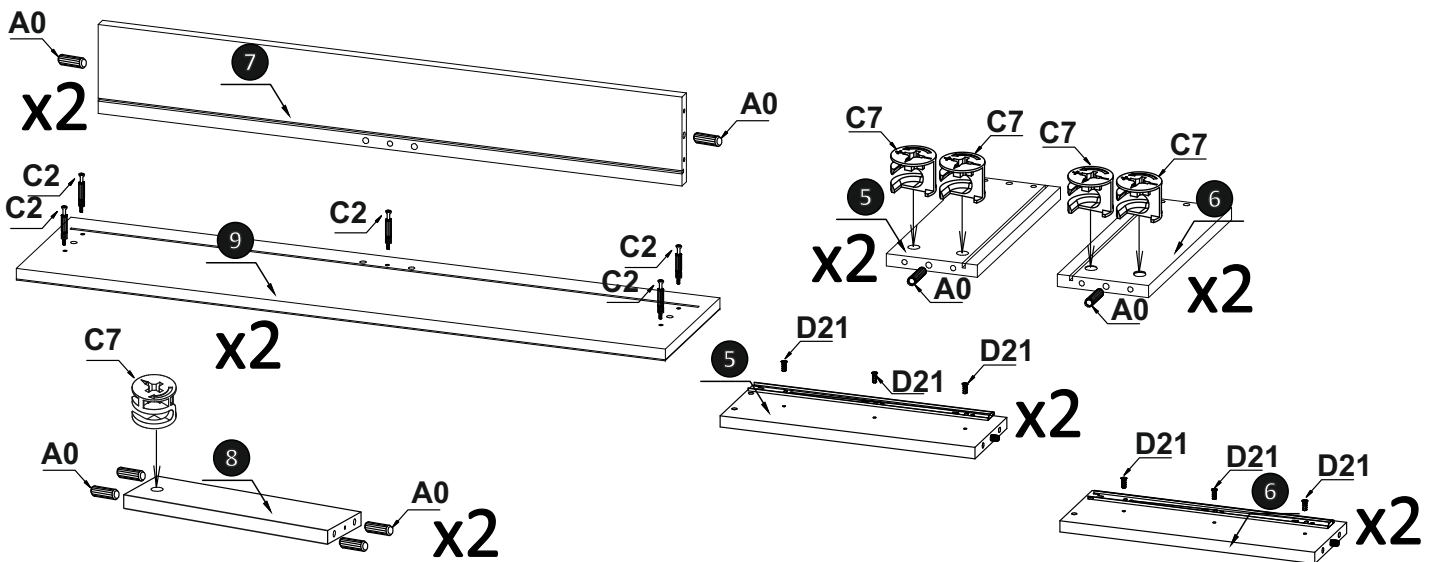
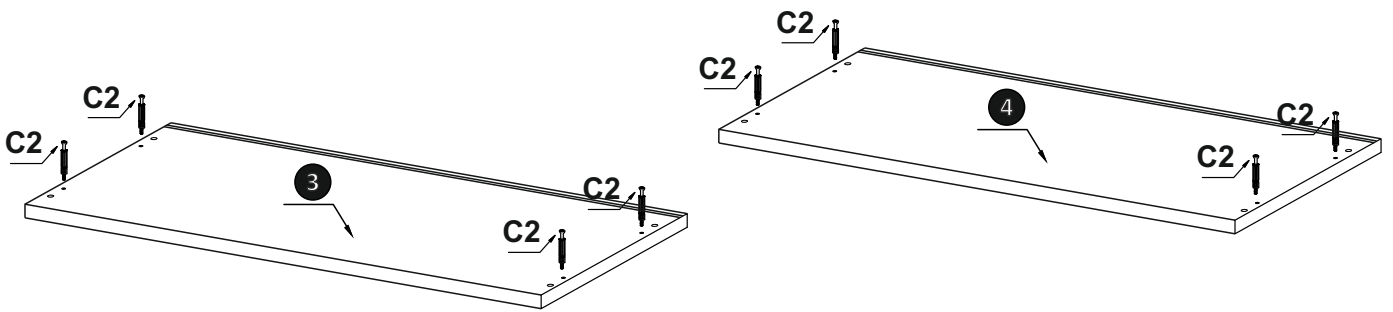
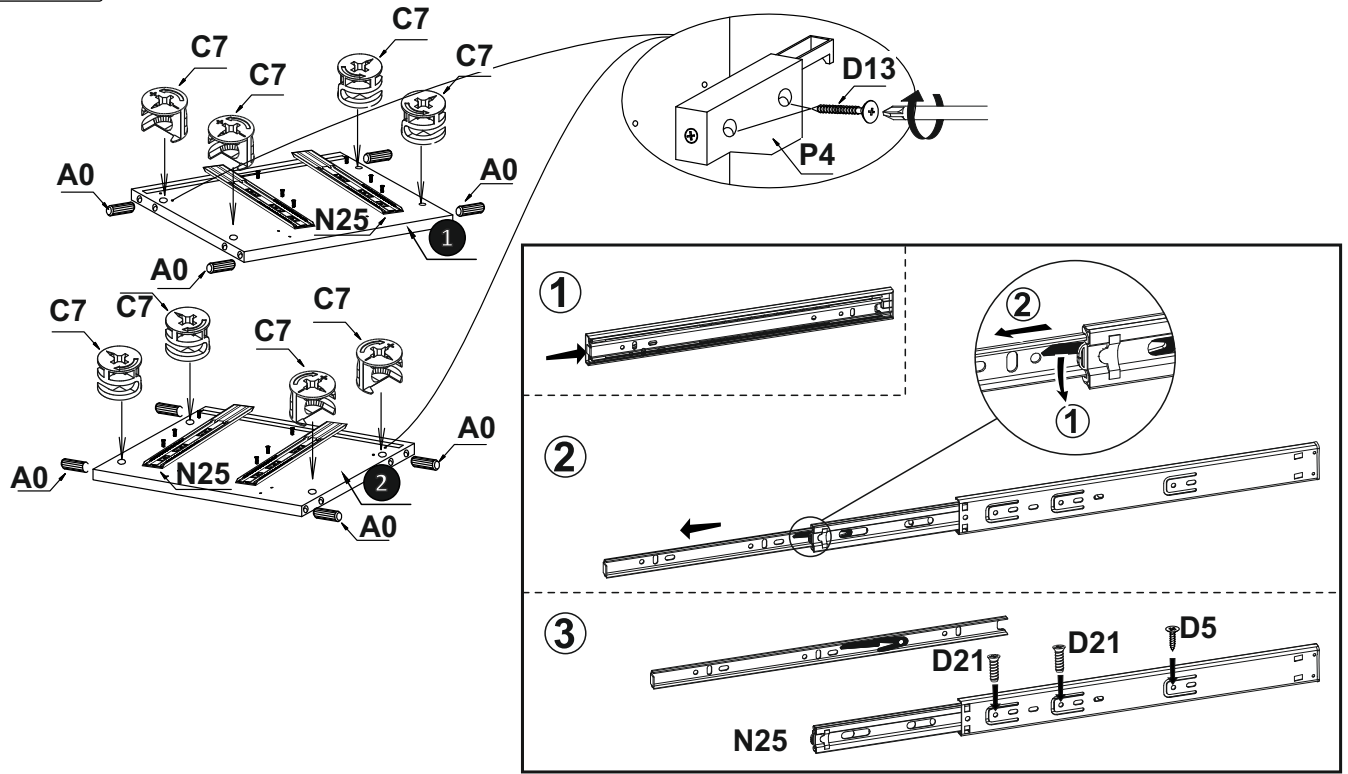


A0 8x30 24	B0 8	B1 7x50 10	C0 18	C2 18	C7 18	D0 3x15 22	D5 3,5x16 8	D13 4x30 4
-----------------------------	--------------------	-----------------------------	---------------------	---------------------	---------------------	-----------------------------	------------------------------	-----------------------------

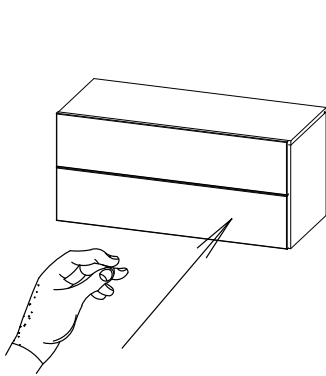
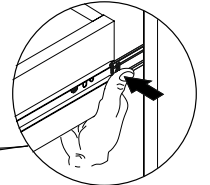
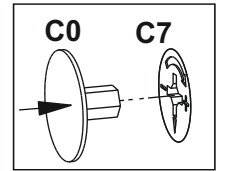
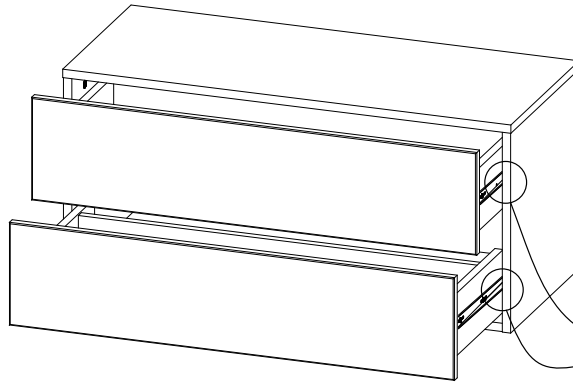
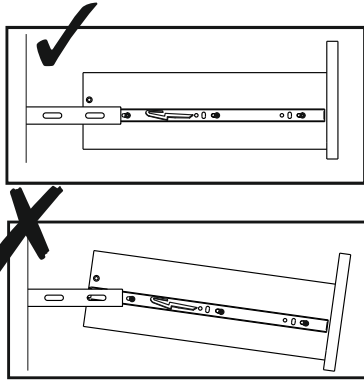
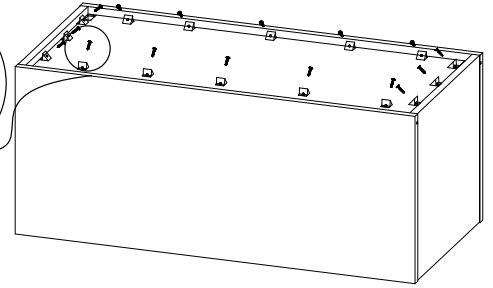
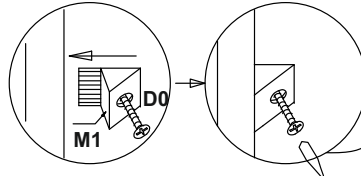
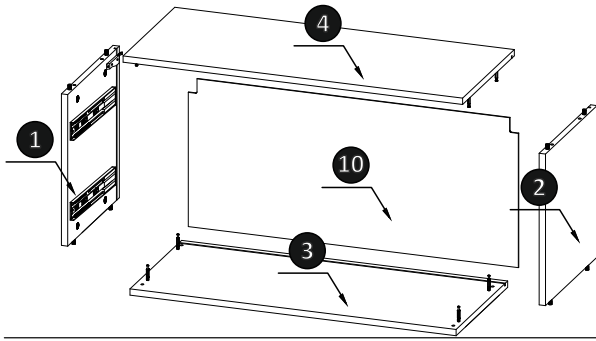
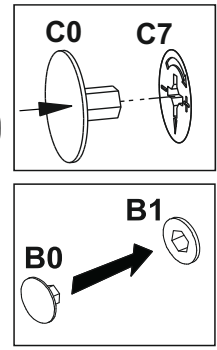
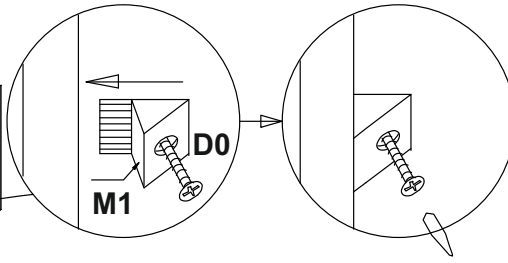
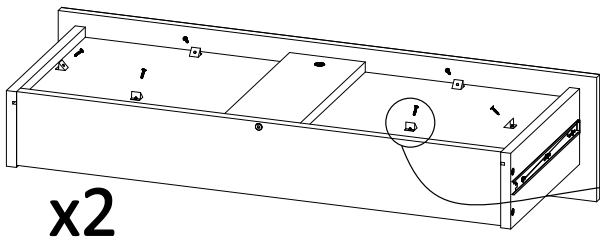


D21 5x13 20	K 4mm 1	M1 22	N25 L-300 2	P4 2
------------------------------	--------------------------	---------------------	------------------------------	--------------------





E9



Push to open

