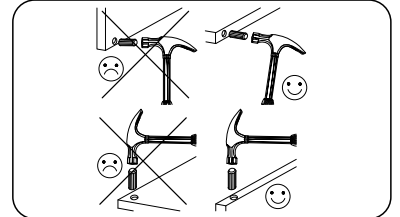
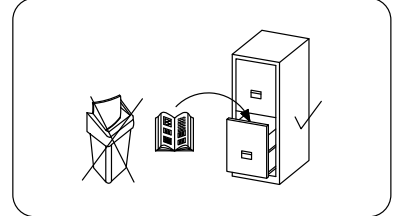
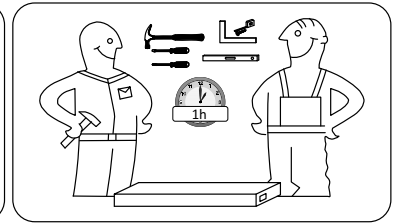
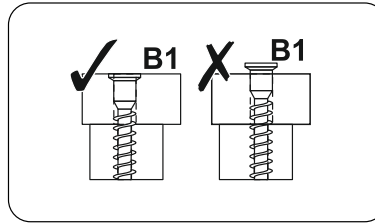
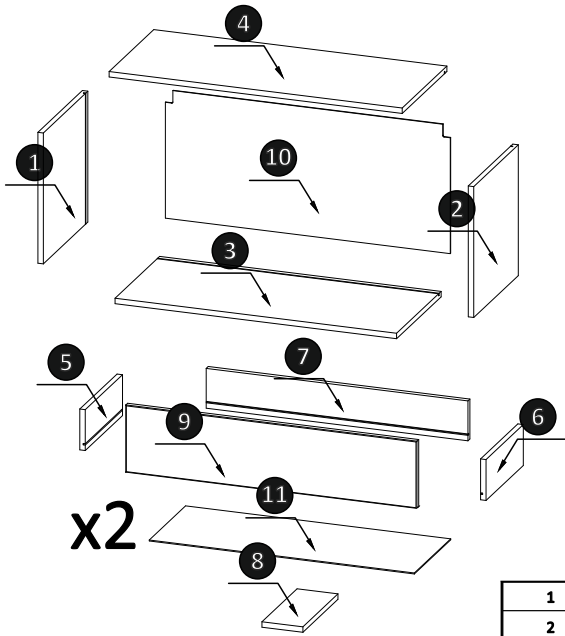
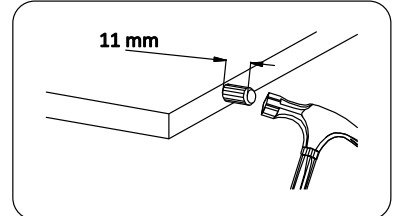


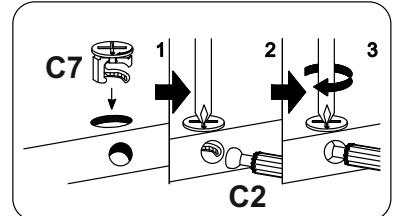
E9



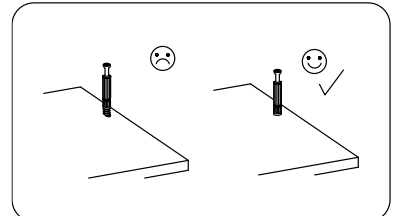
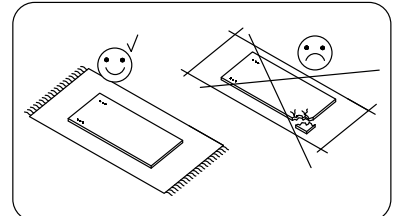
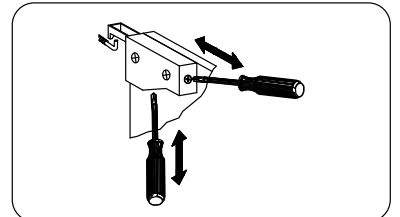
| | | | | |
|----|---|-----|-----|----|
| 1 | 1 | 368 | 359 | 16 |
| 2 | 1 | 368 | 359 | 16 |
| 3 | 1 | 860 | 360 | 16 |
| 4 | 1 | 860 | 360 | 16 |
| 5 | 2 | 300 | 120 | 16 |
| 6 | 2 | 300 | 120 | 16 |
| 7 | 2 | 768 | 117 | 16 |
| 8 | 2 | 283 | 120 | 16 |
| 9 | 2 | 854 | 197 | 16 |
| 10 | 1 | 836 | 377 | 3 |
| 11 | 2 | 778 | 293 | 3 |

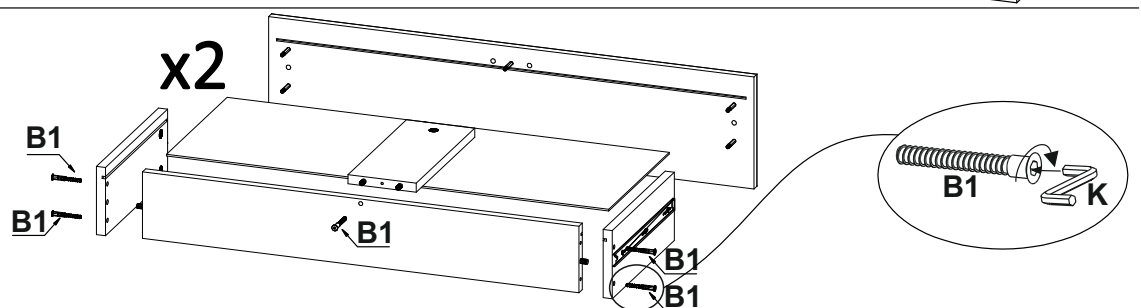
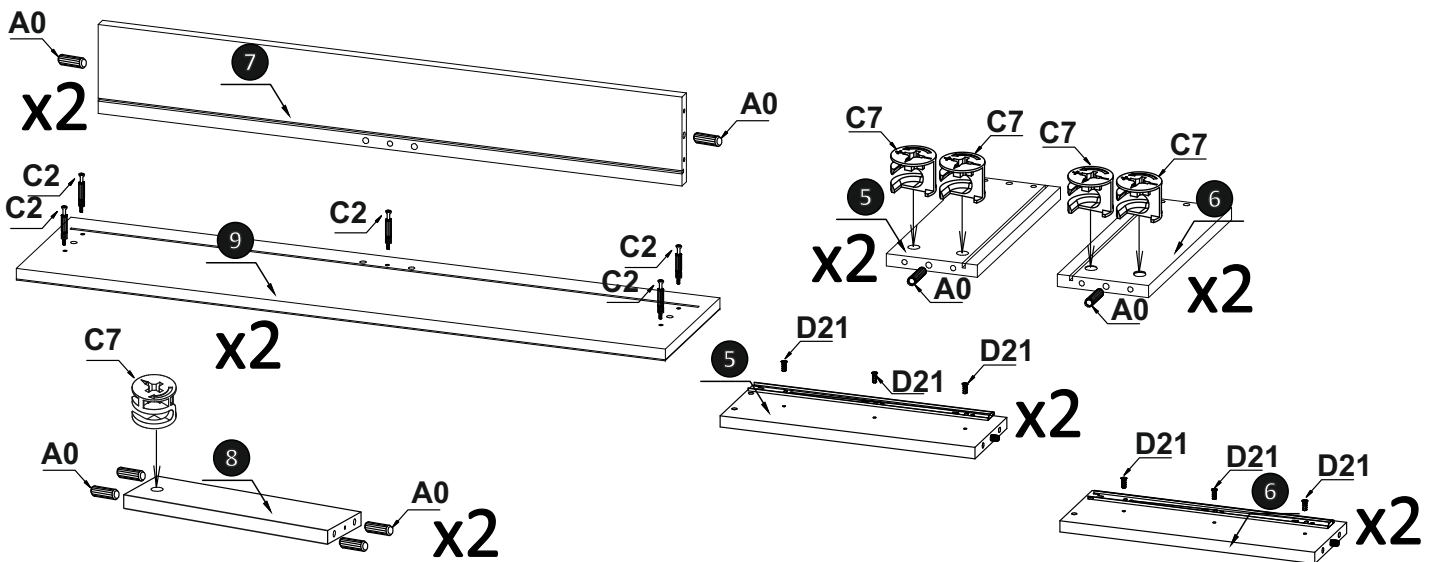
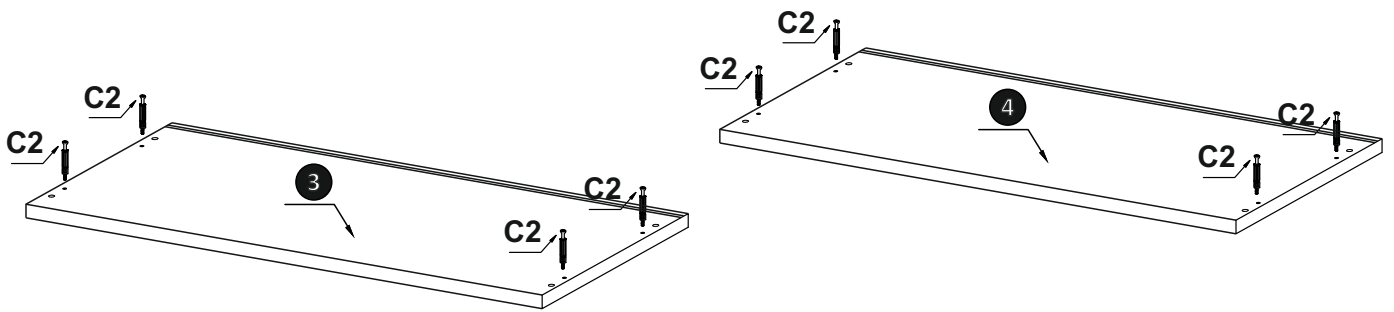
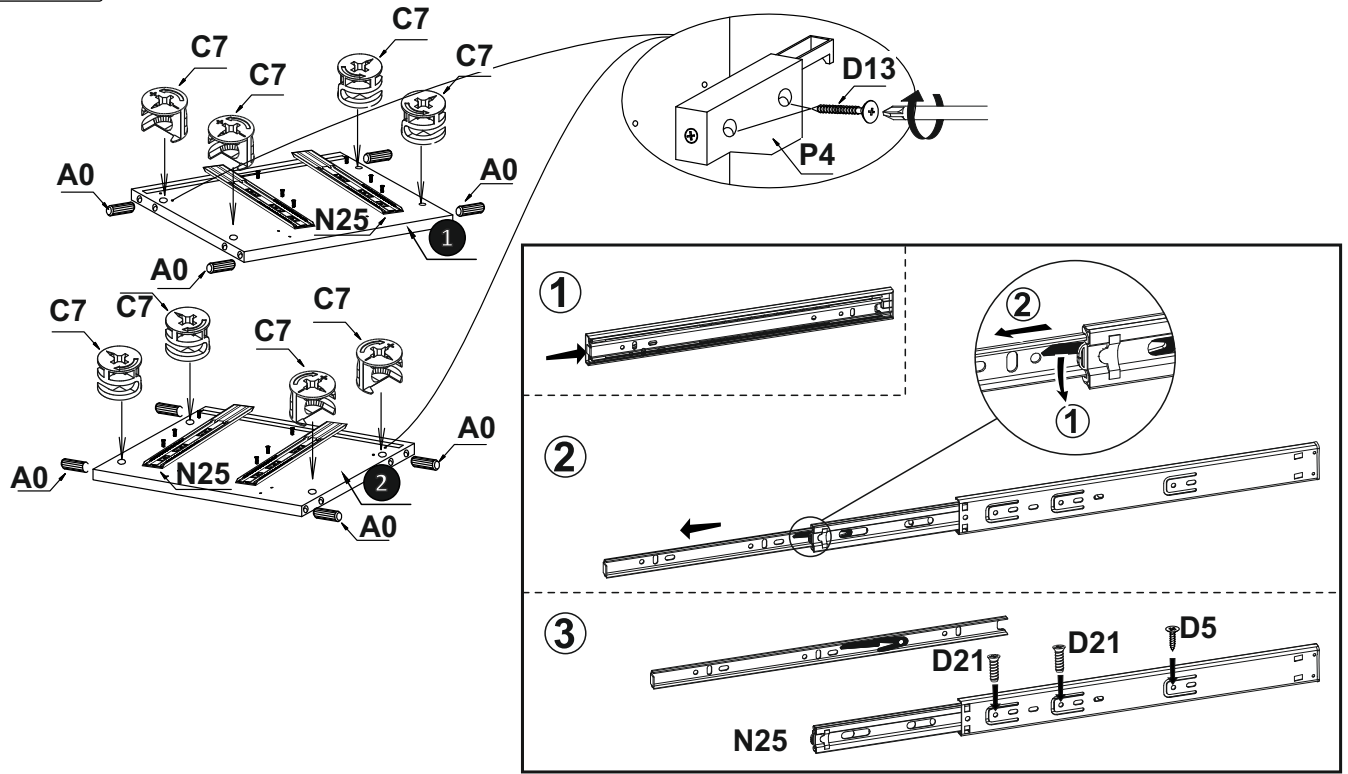


| | | | | | | | | |
|-----------------------------|--------------------|-----------------------------|---------------------|---------------------|---------------------|-----------------------------|------------------------------|-----------------------------|
| A0 8x30 24 | B0 8 | B1 7x50 10 | C0 18 | C2 18 | C7 18 | D0 3x15 22 | D5 3,5x16 8 | D13 4x30 4 |
|-----------------------------|--------------------|-----------------------------|---------------------|---------------------|---------------------|-----------------------------|------------------------------|-----------------------------|

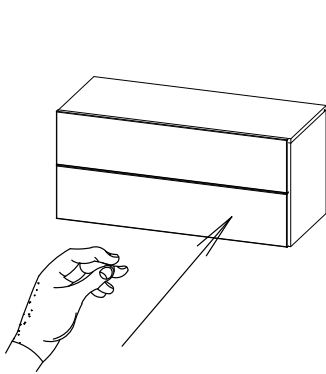
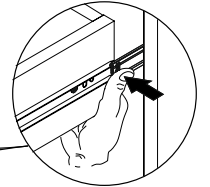
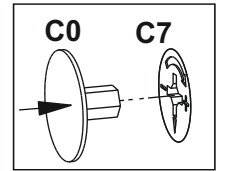
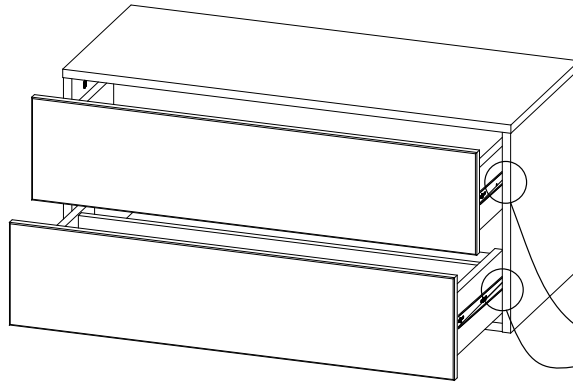
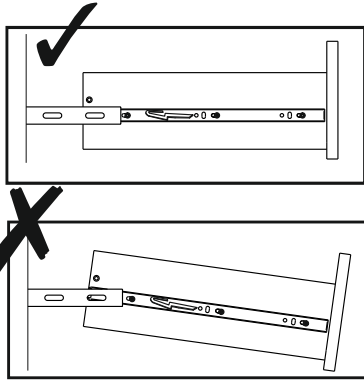
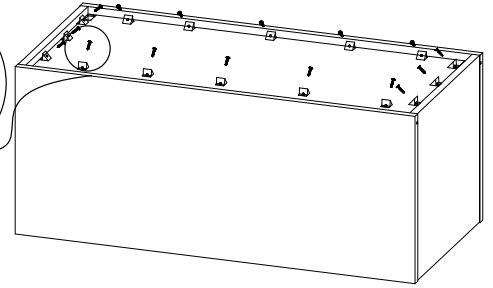
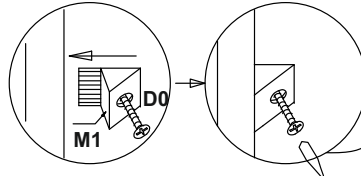
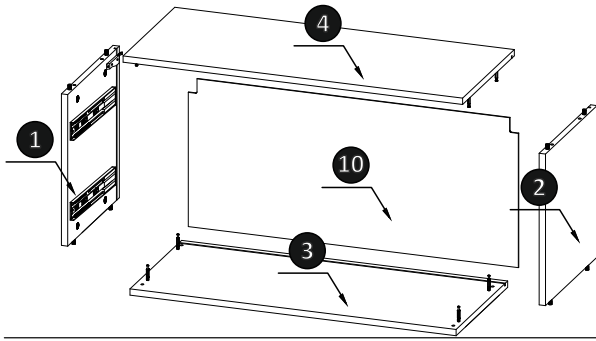
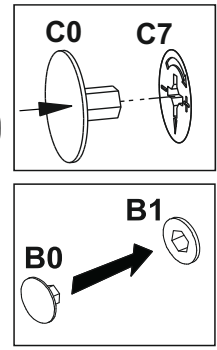
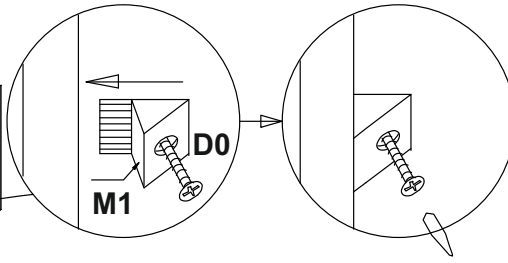
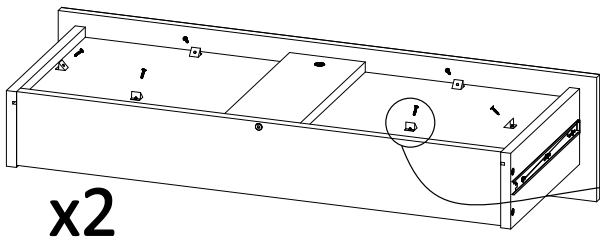


| | | | | |
|------------------------------|--------------------------|---------------------|------------------------------|--------------------|
| D21 5x13 20 | K 4mm 1 | M1 22 | N25 L-300 2 | P4 2 |
|------------------------------|--------------------------|---------------------|------------------------------|--------------------|





E9



Push to open

