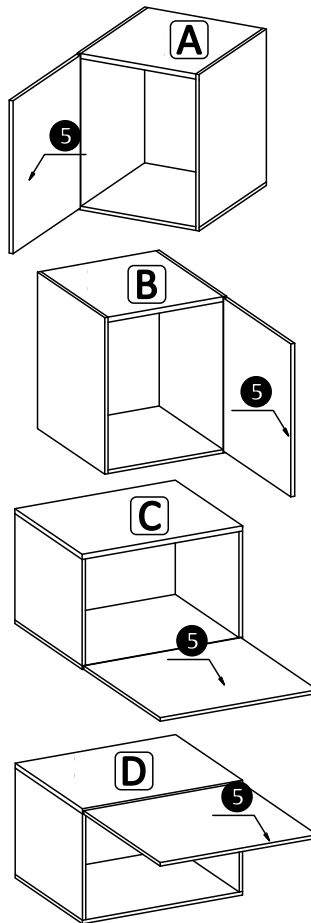
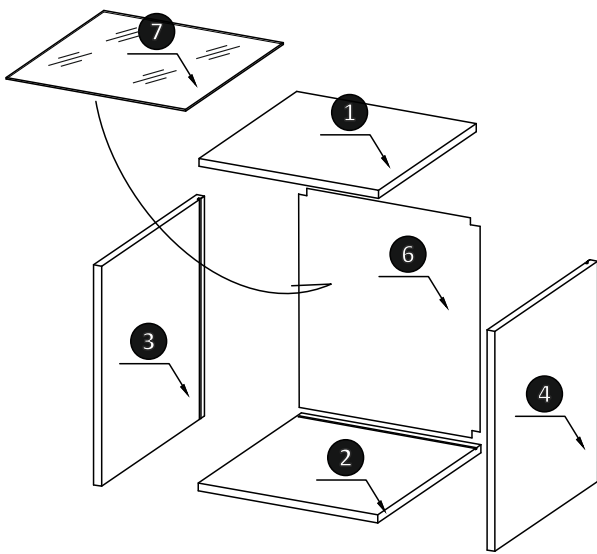
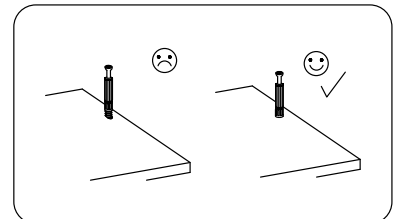
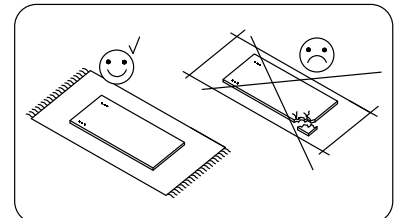
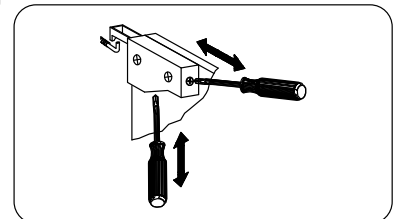
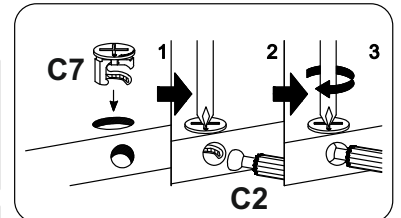
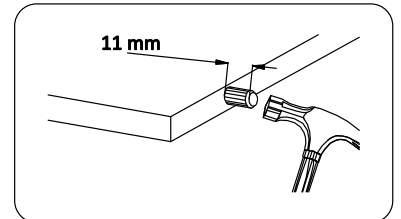
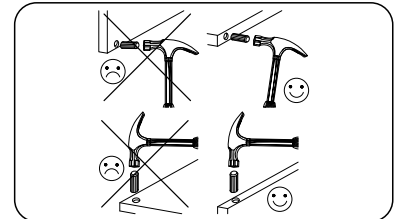
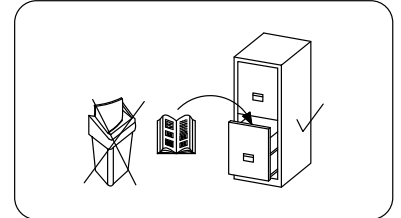
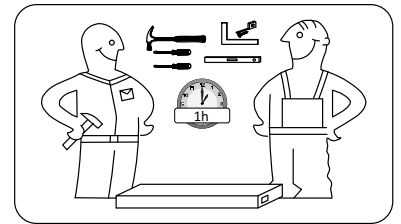


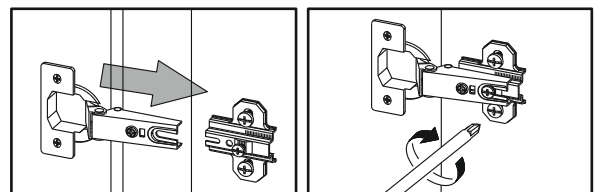
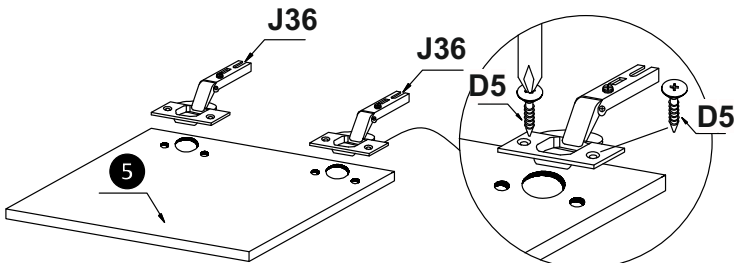
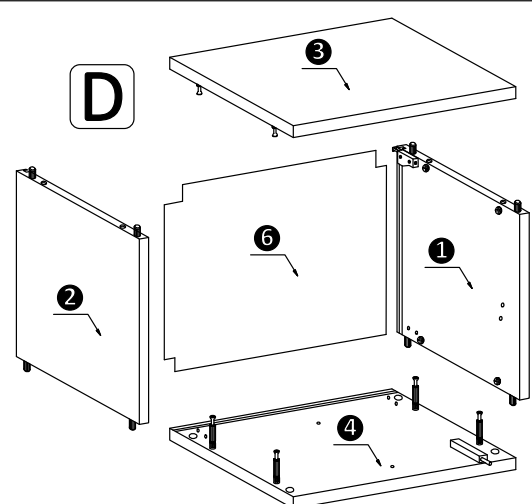
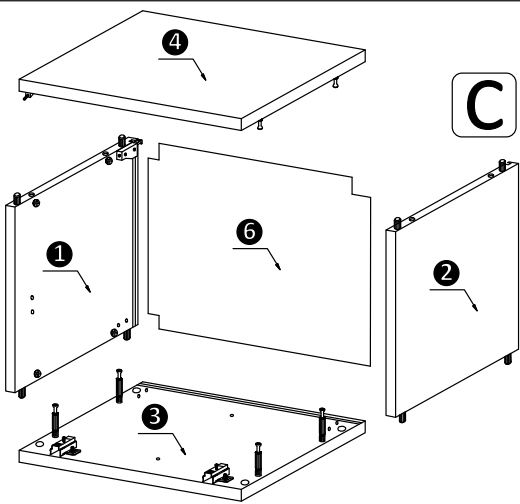
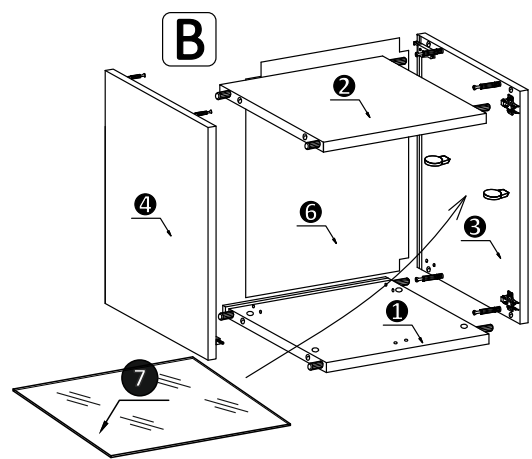
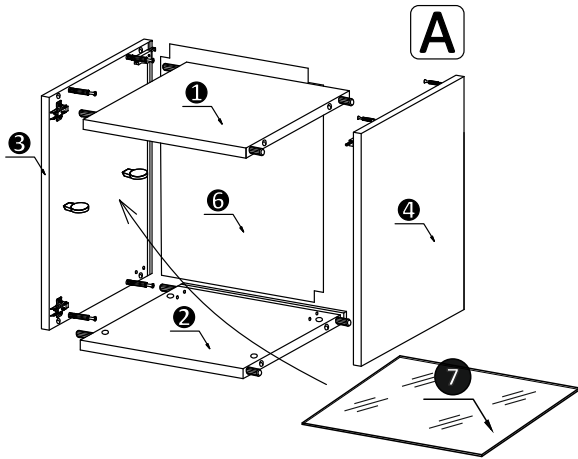
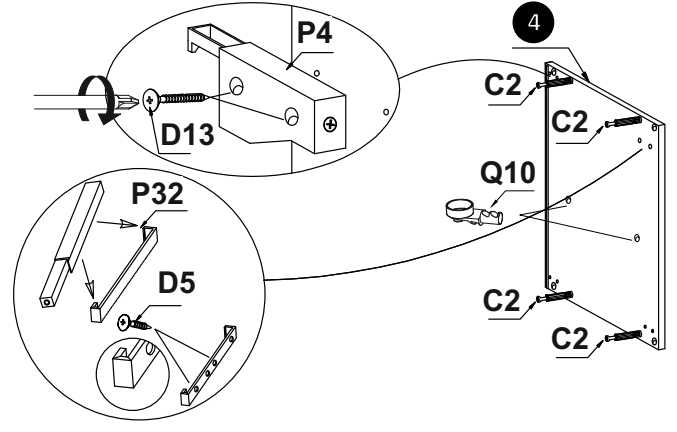
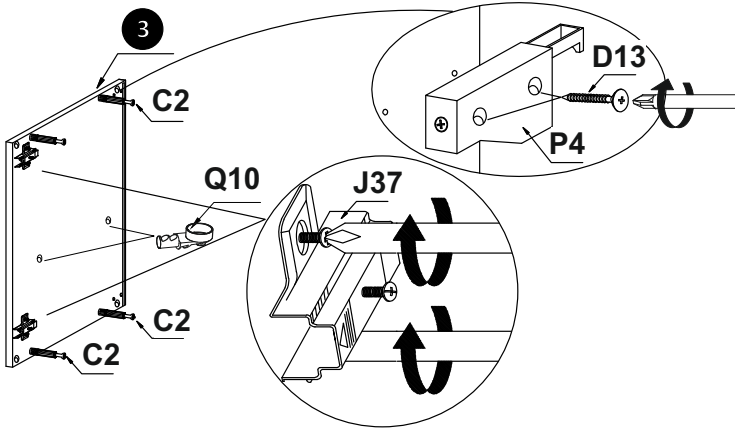
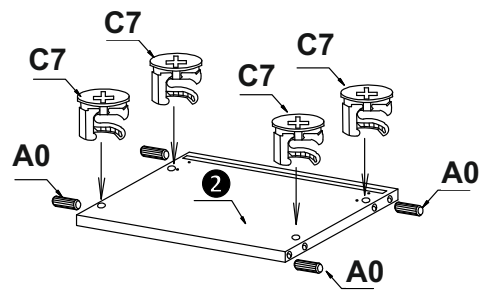
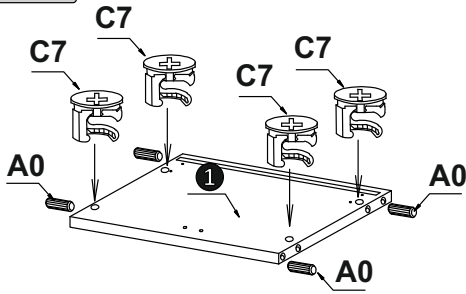
# E4

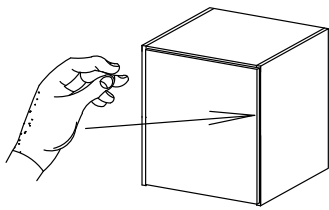
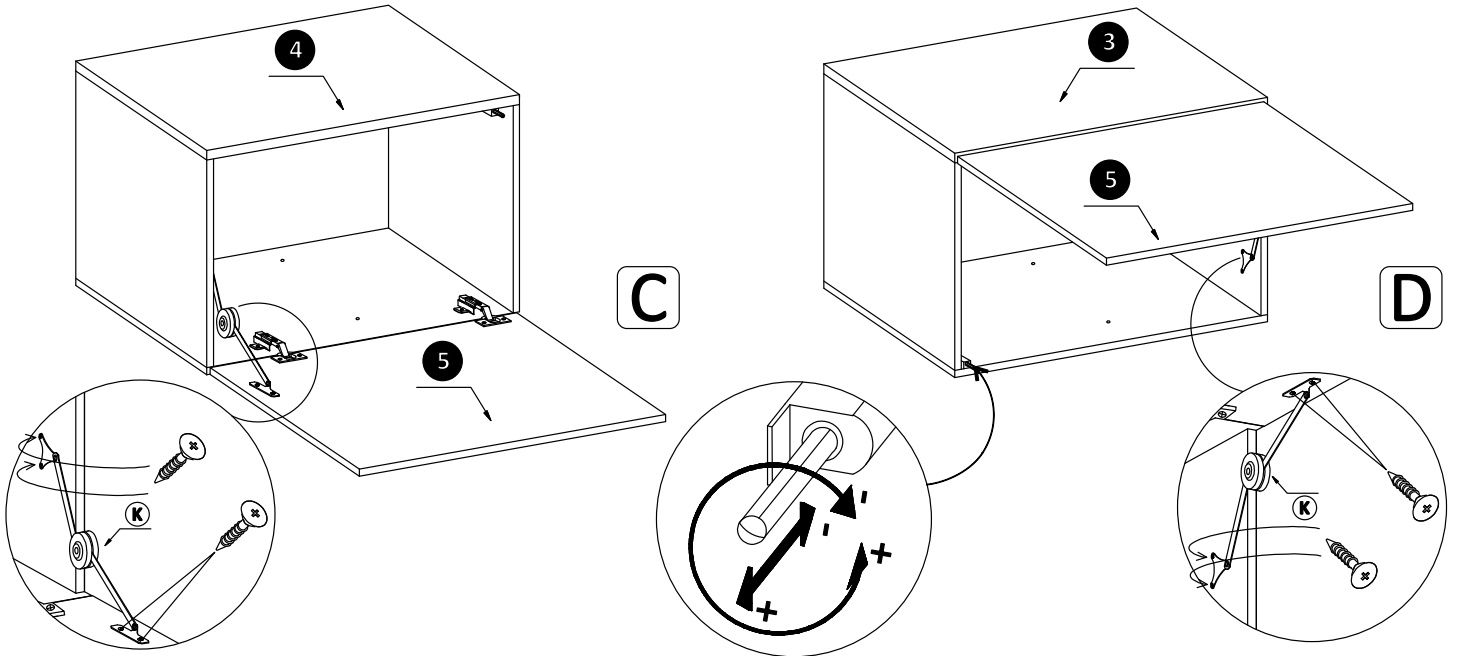
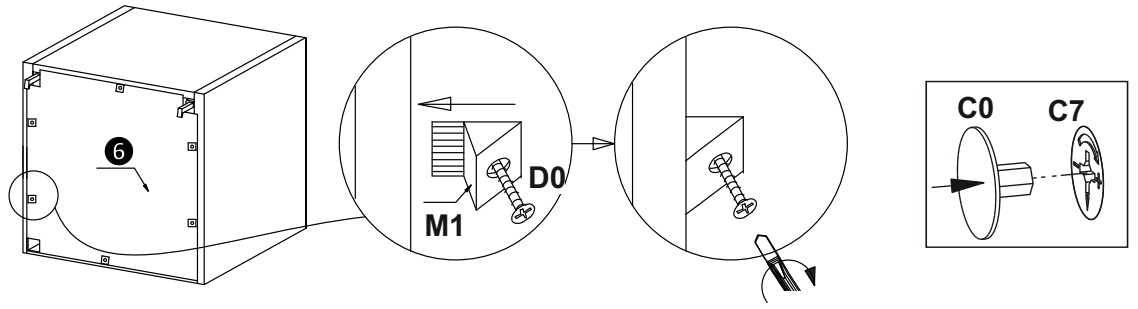


1	1	368	359	16
2	1	368	359	16
3	1	940	360	16
4	1	940	360	16
5	1	936	396	16
6	1	378	916	3
7	1	330	364	4



<b>A0</b>  8x30 8	<b>C2</b>  8	<b>C7</b>  8	<b>D5</b>  3,5x16 6	<b>P4</b>  2	<b>D13</b>  4x30 4	<b>J37</b>  2	<b>J36</b>  2	<b>M1</b>  6
<b>P32</b>  1	<b>D0</b>  3x15 6	<b>C0</b>  8	<b>Q10</b>  A B 4	<b>K</b>  C D 1				





Push to open

