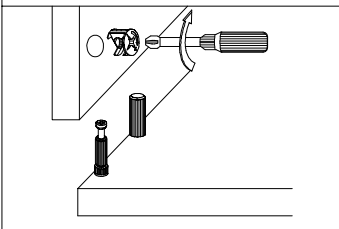
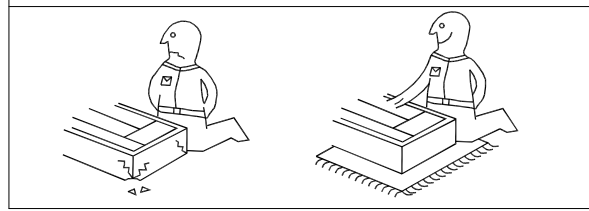
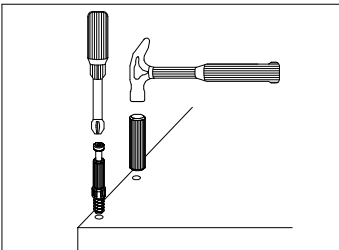
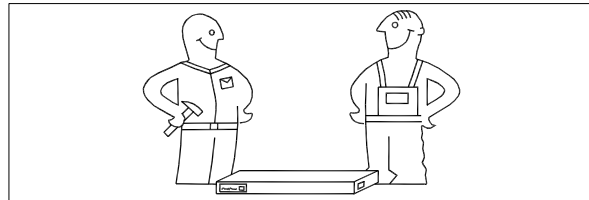
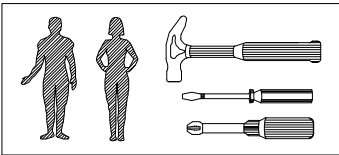
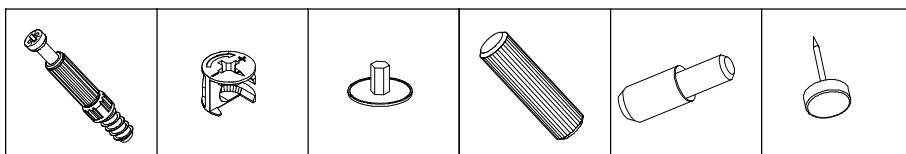
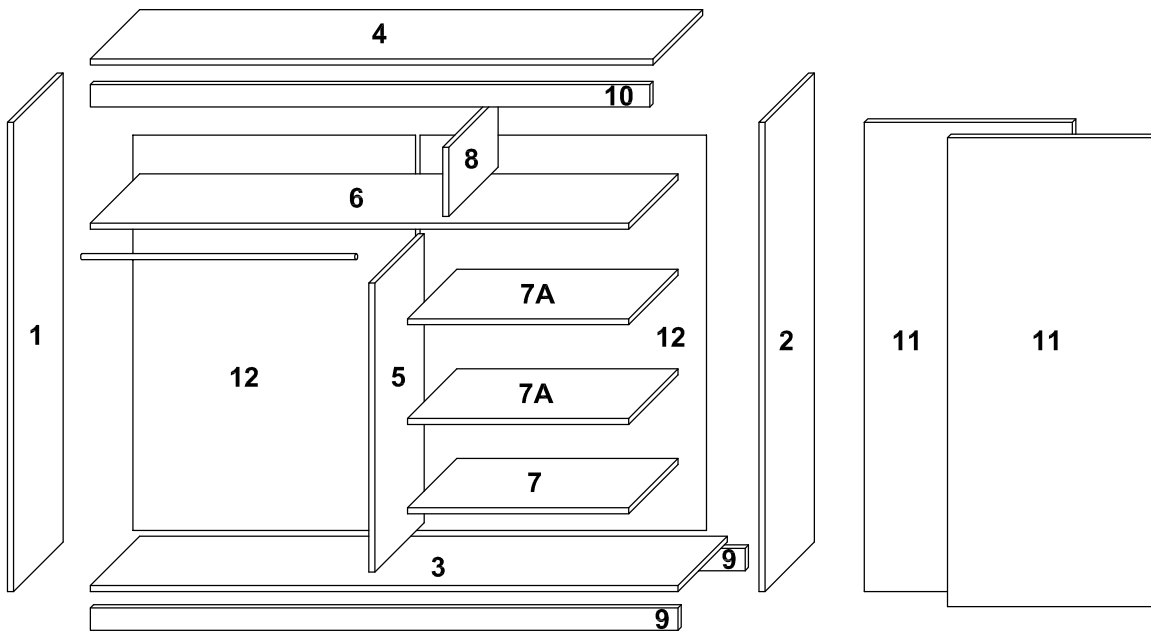
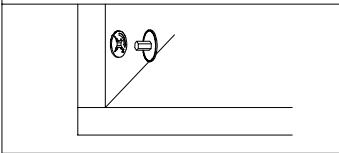
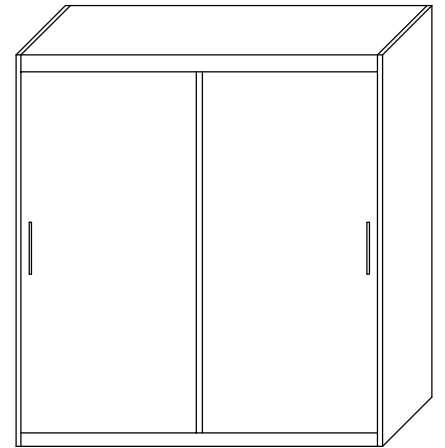


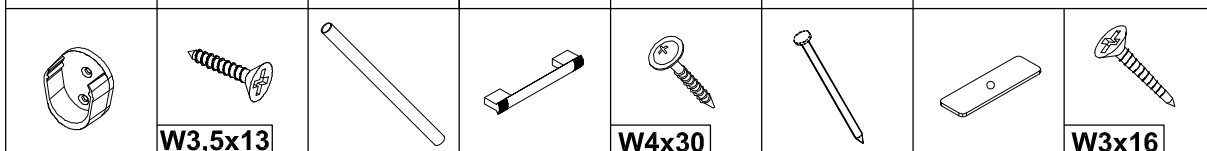
120, 150, 180



	180	150	120
1	2150 x 581	2000 x 581	2000 x 581
2	2150 x 581	2000 x 581	2000 x 581
3	1768 x 581	1468 x 581	1168 x 581
4	1768 x 565	1468 x 565	1168 x 565
5	1644 x 475	1494 x 475	1494 x 475
6	1768 x 475	1468 x 475	1168 x 475
7	876 x 475	726 x 475	576 x 475
7A	876 x 475	726 x 475	575 x 475
8	357 x 475	357 x 475	357 x 475
9	1768 x 100	1468 x 100	1168 x 100
10	1768 x 72	1468 x 72	1168 x 72
11	2000 x 940	1859 x 750	1859 x 600
12	2040 x 900	1895 x 748	1895 x 598



28 | A 28 | B 28 | C 38 | D 8 | E 10 | F

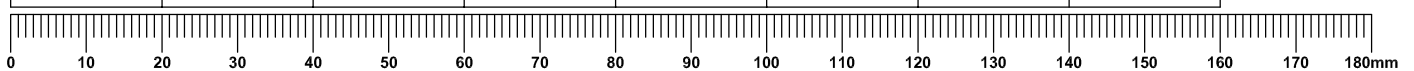


W3,5x13

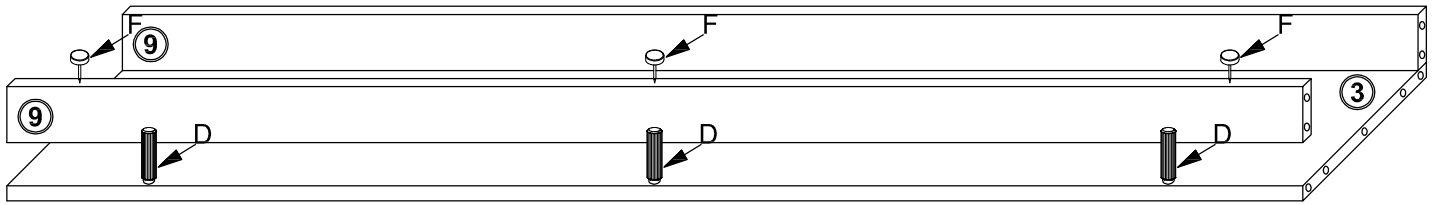
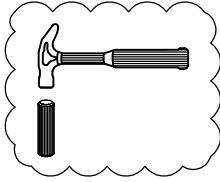
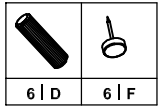
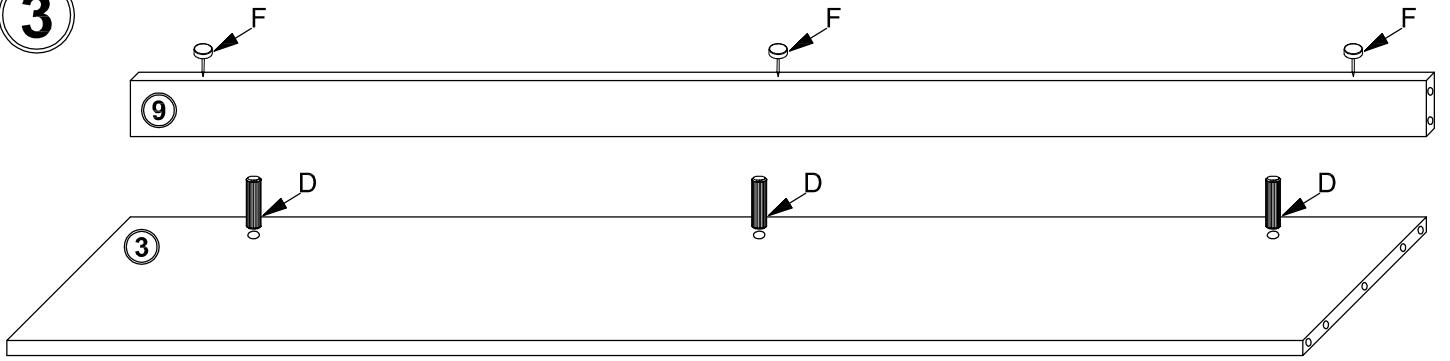
W4x30

W3x16

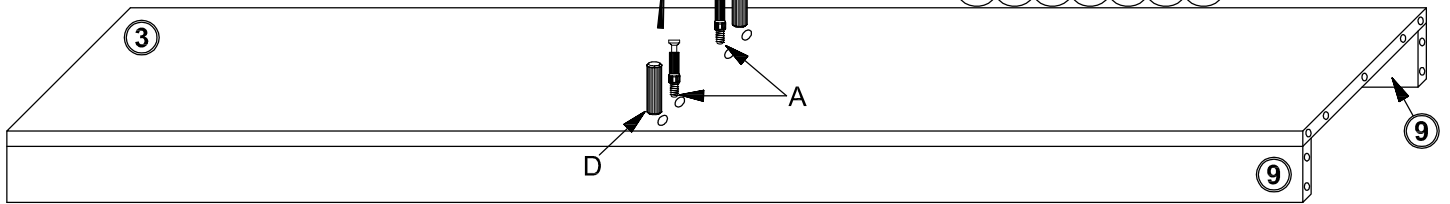
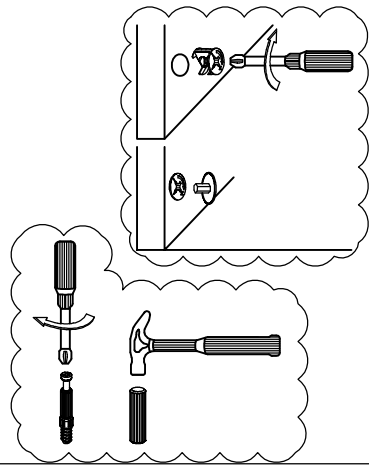
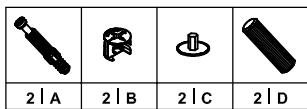
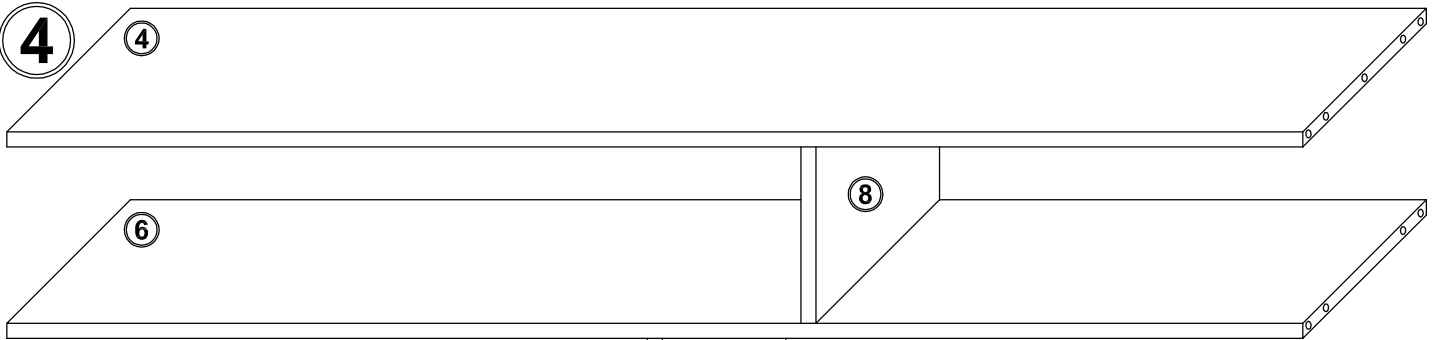
2 | G 4 | H 1 | I 2 | J 4 | K 1 | L 1 | M 1 | N



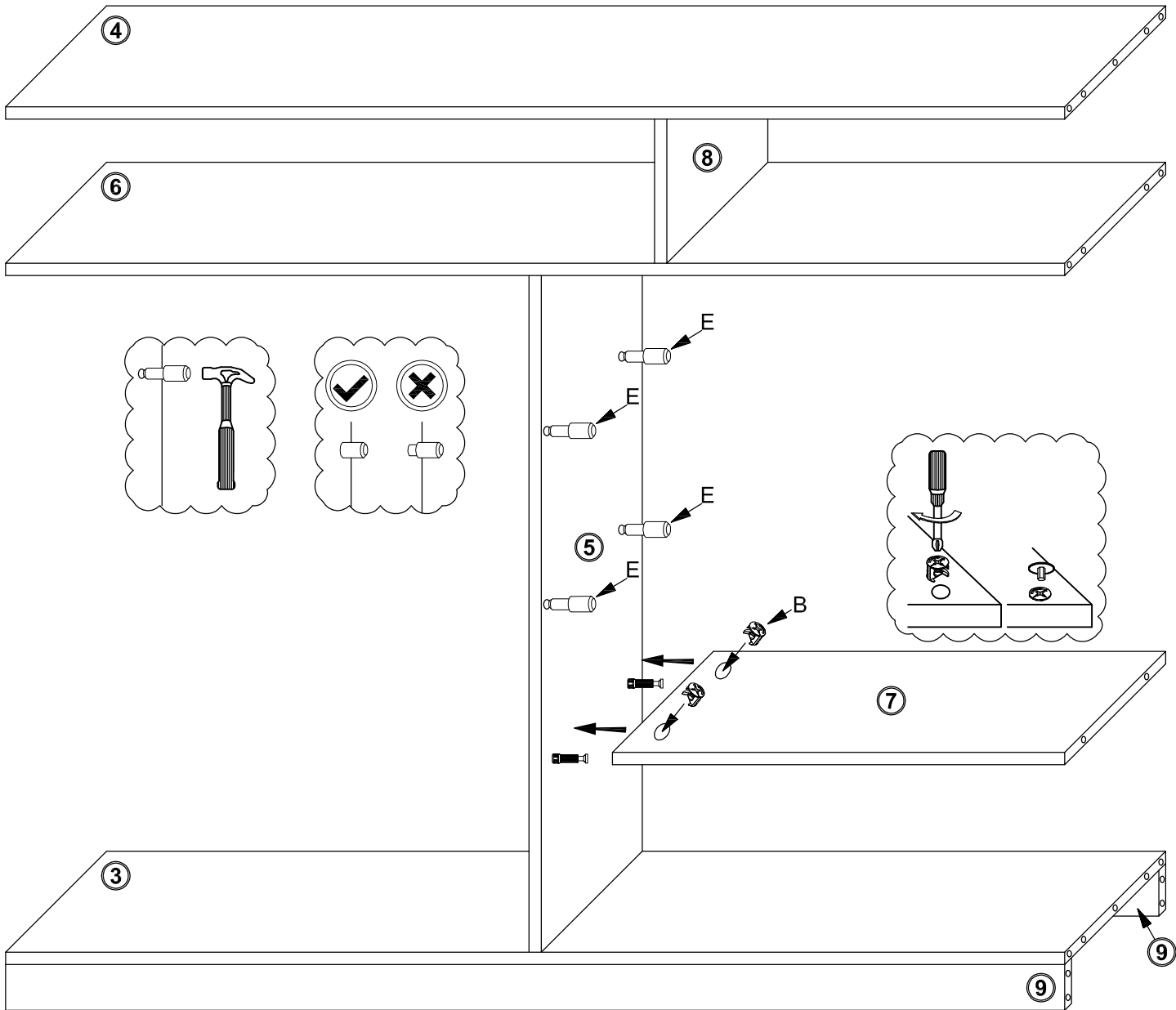
3






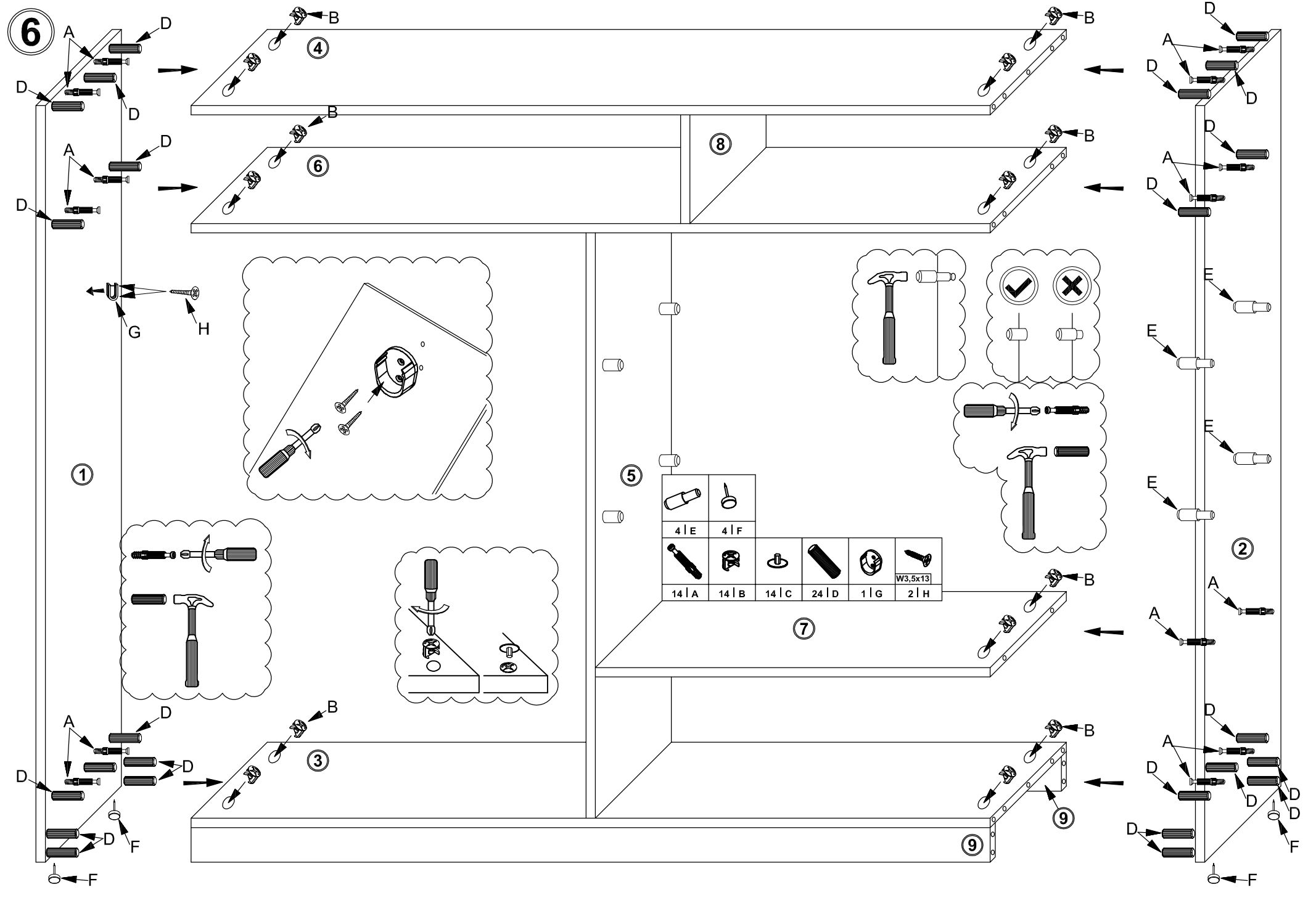
4



5



		
2 B	2 C	4 E



6

4

6

8

1

5

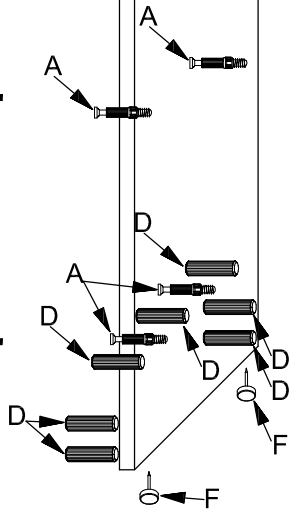
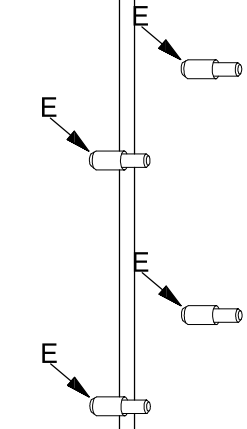
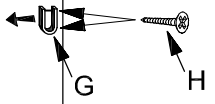
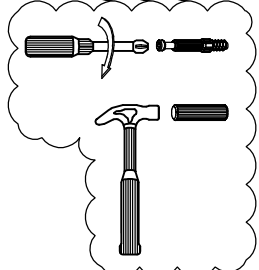
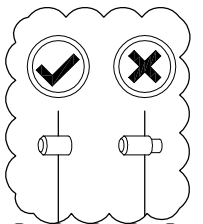
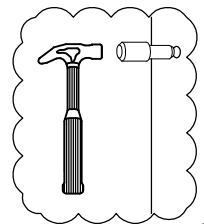
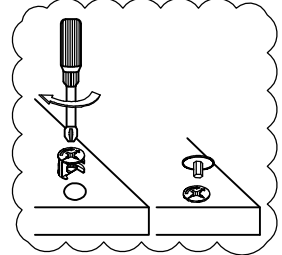
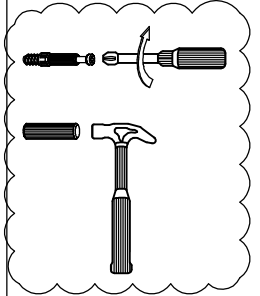
7

2

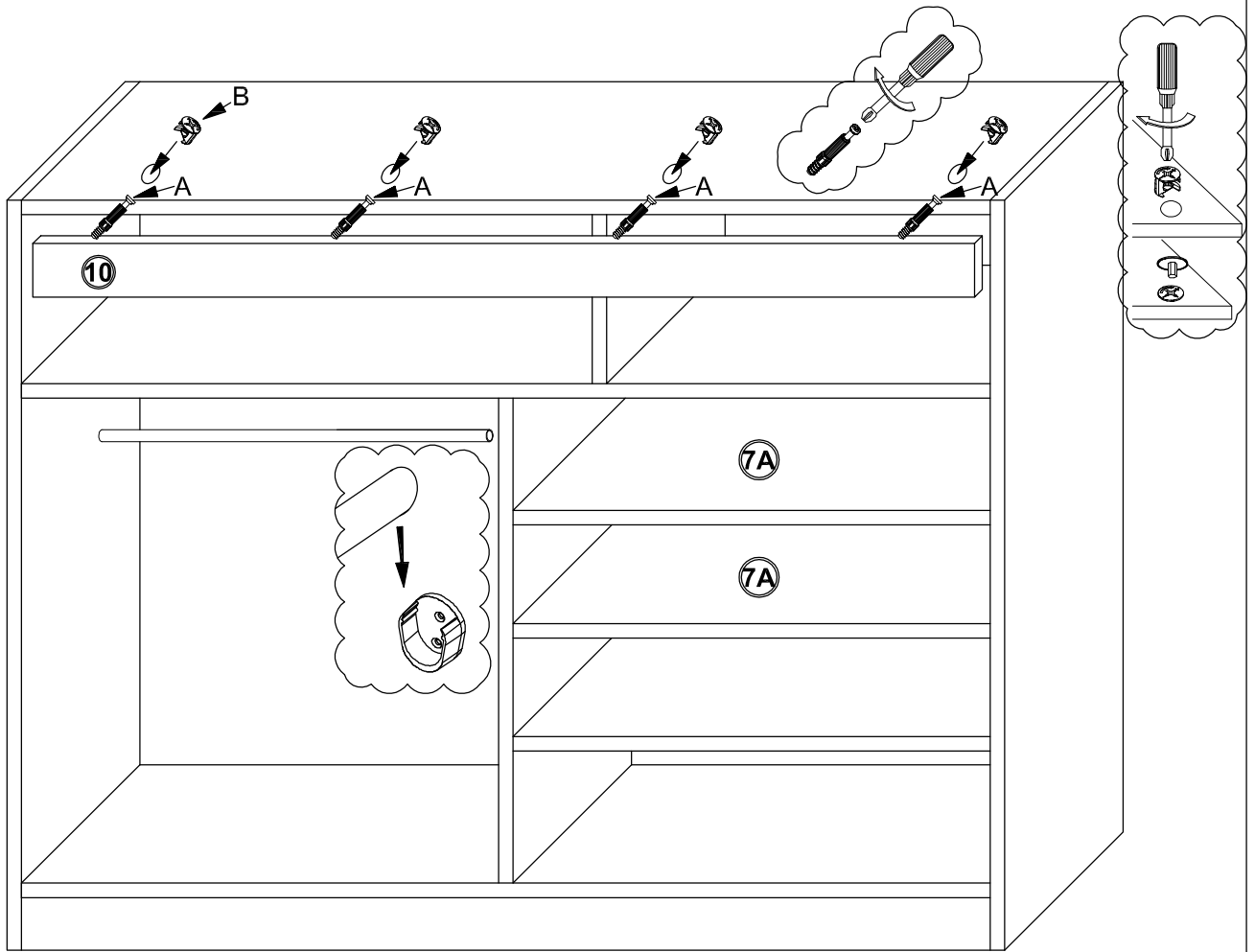
9

9

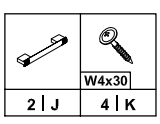
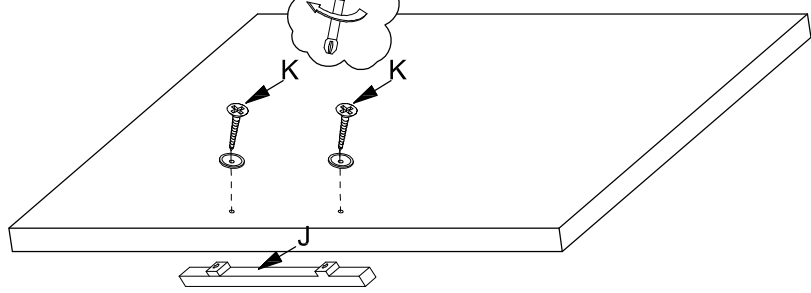
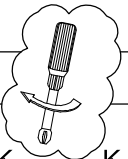
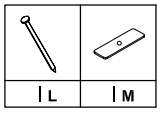
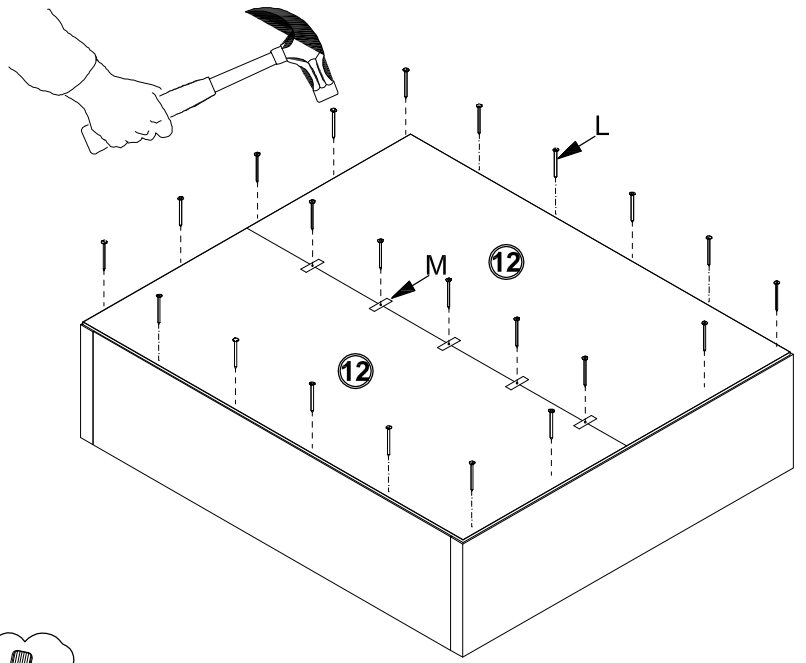
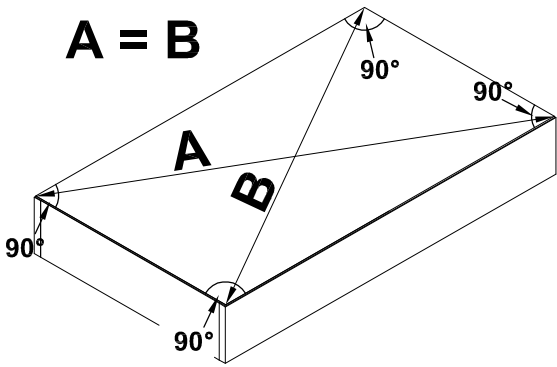
4 E	4 F				
14 A	14 B	14 C	24 D	1 G	2 H
W3,5x13					

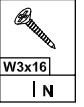


7



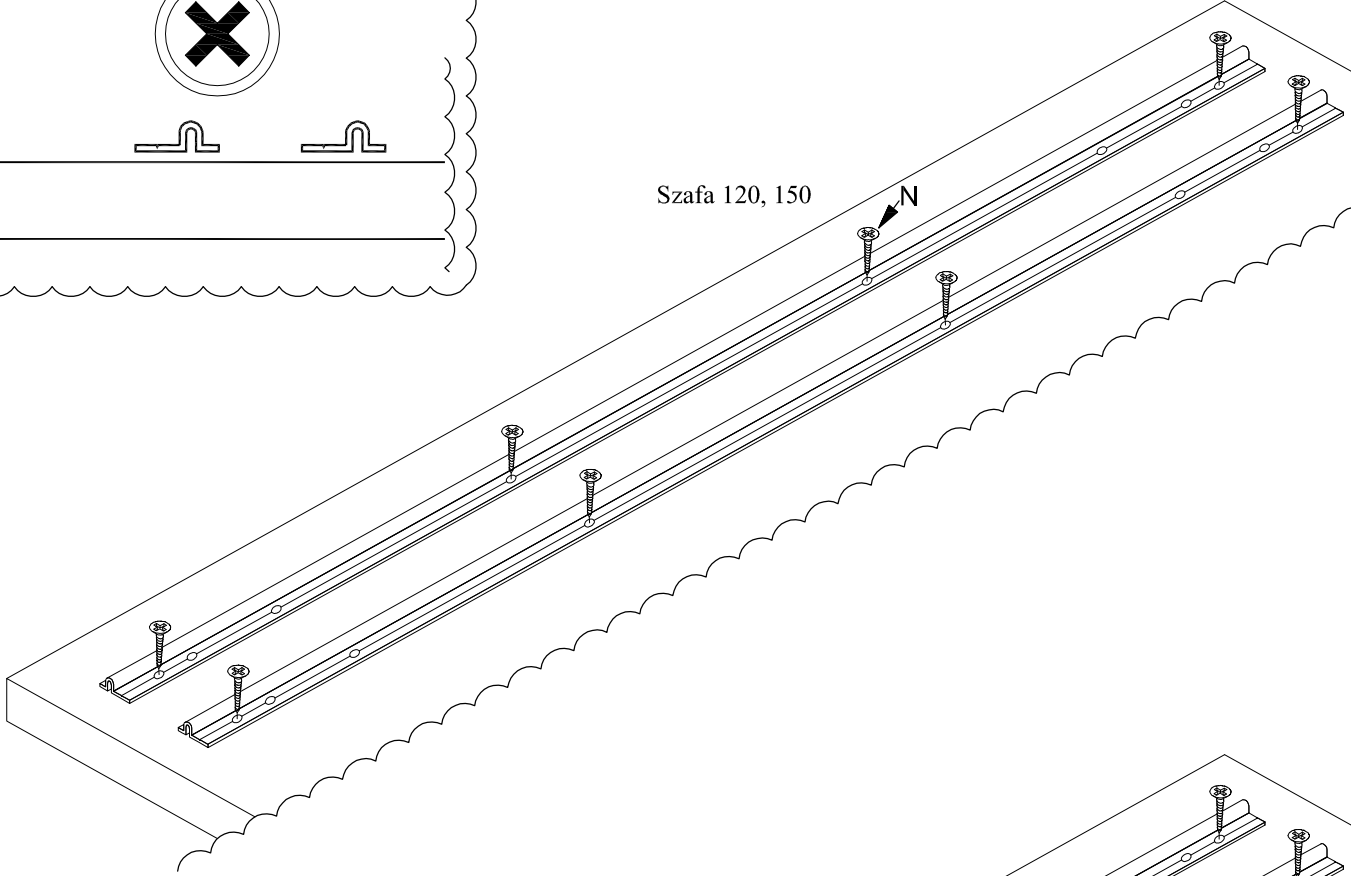
$A = B$





W3x16
IN

Szafa 120, 150



Szafa 180

