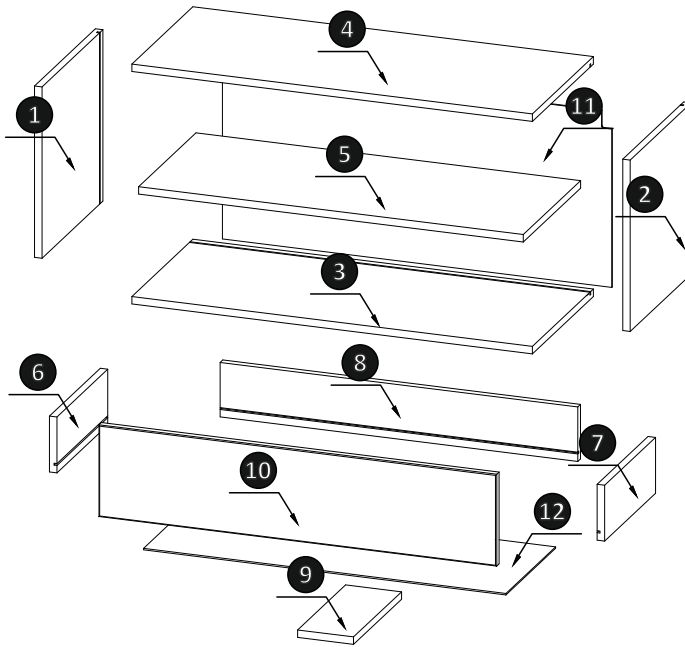
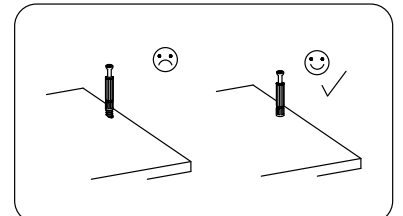
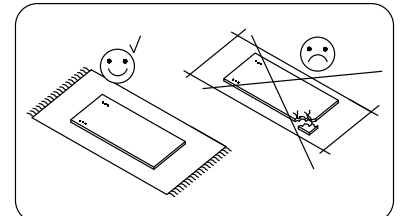
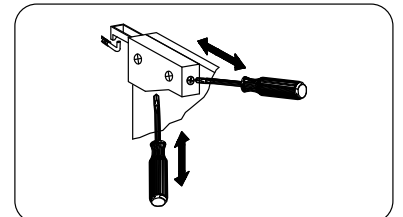
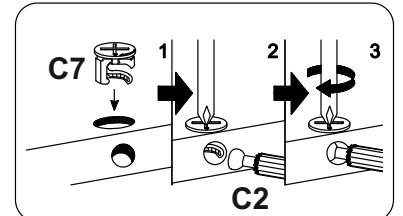
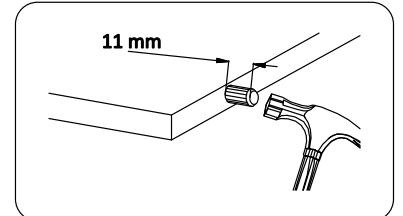
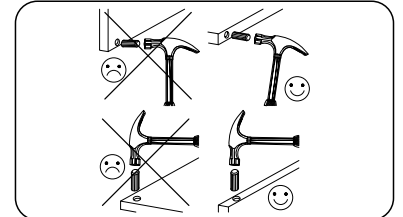
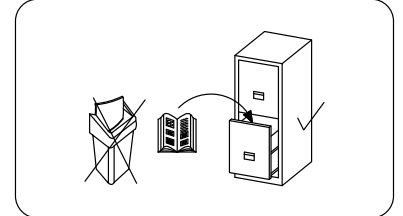
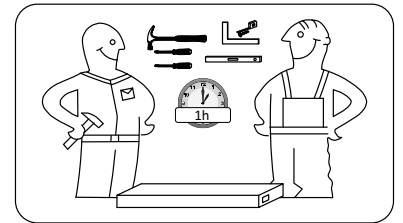


E8

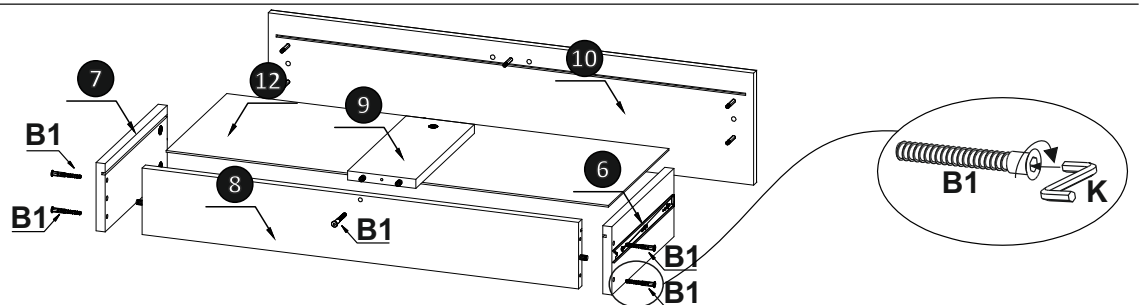
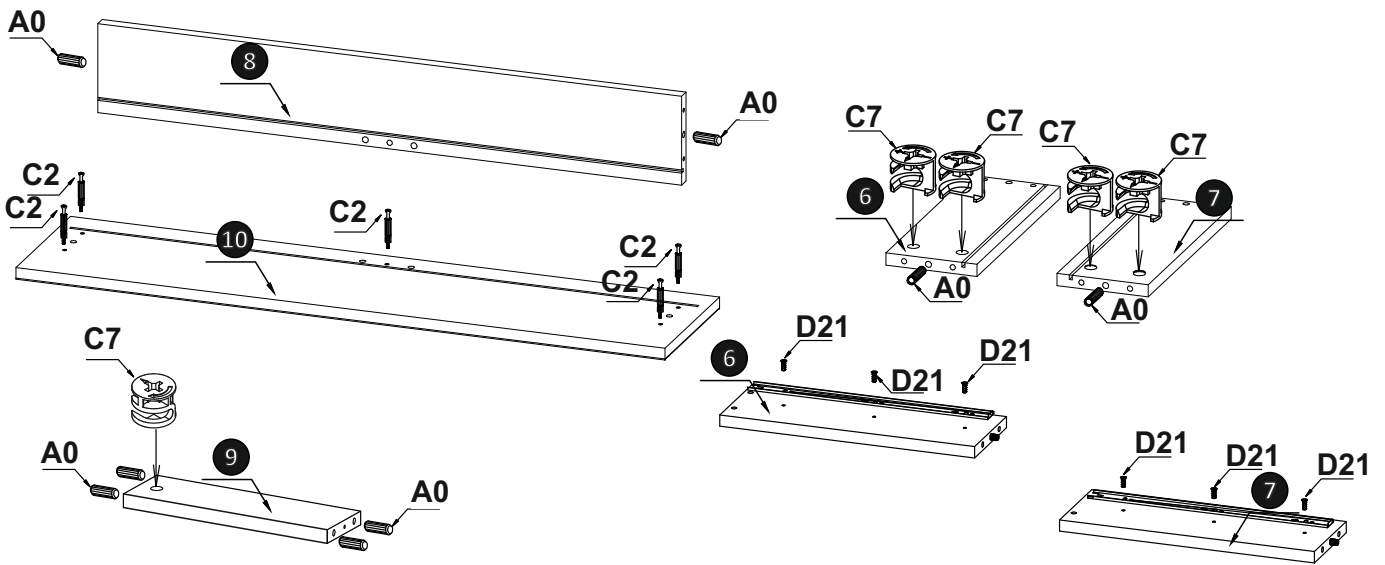
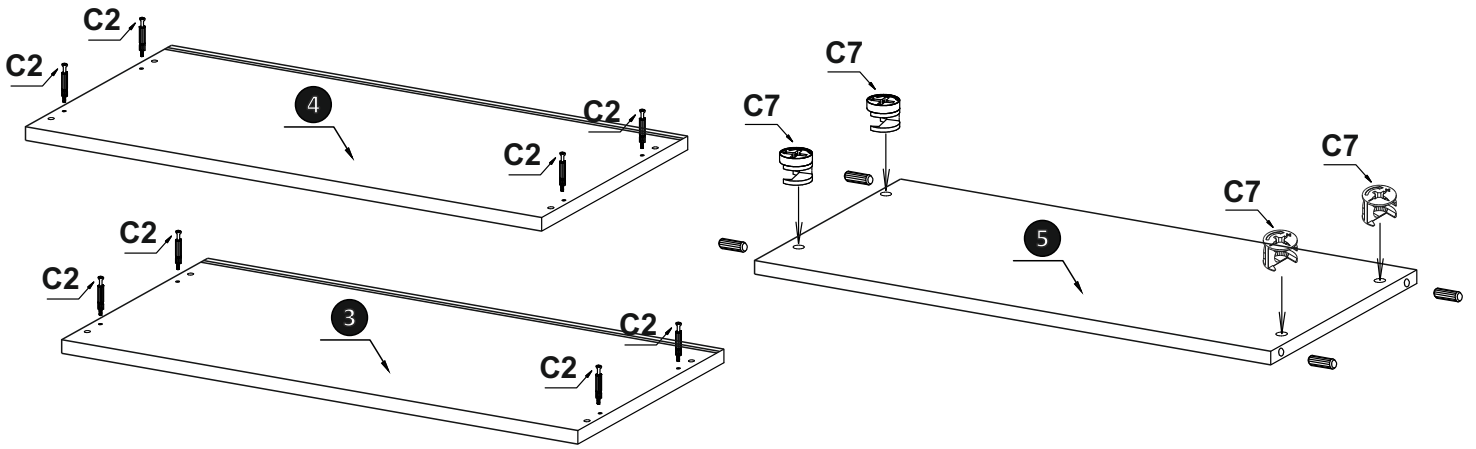
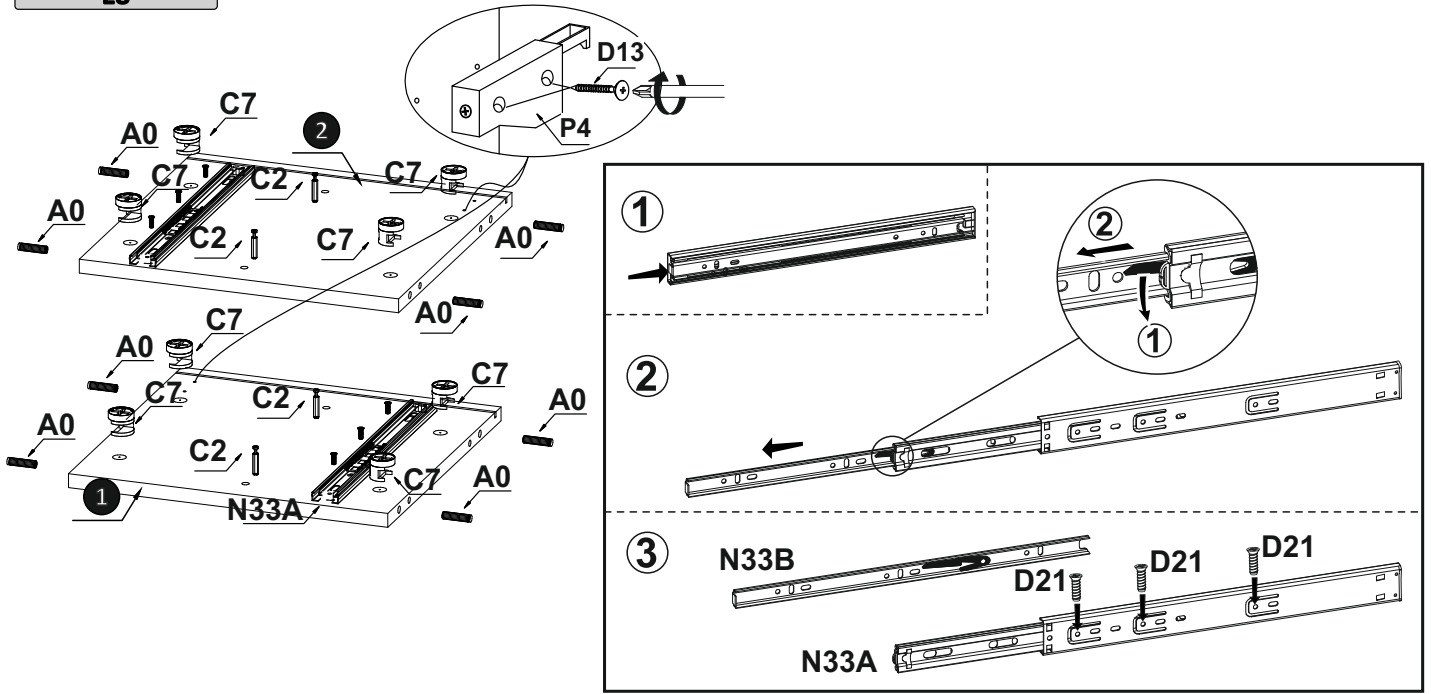


					8	1	768	117	16
1	1	386	359	16	9	1	283	120	16
2	1	368	359	16	10	1	854	197	16
3	1	860	360	16	11	1	836	377	3
4	1	860	360	16	12	1	778	293	3
5	1	826	338	16					
6	1	300	120	16					
7	1	300	120	16					



A0 8x30 20	B1 7x50 5	C0 17	C2 17	C7 17	D0 3x15 16	D5 3,5x16 4	D13 4x30 4	D21 5x13 12
-----------------------------	----------------------------	---------------------	---------------------	---------------------	-----------------------------	------------------------------	-----------------------------	------------------------------

K 4mm 1	M1 16	N33 L-300 1	P4 2
--------------------------	---------------------	------------------------------	--------------------



E9

