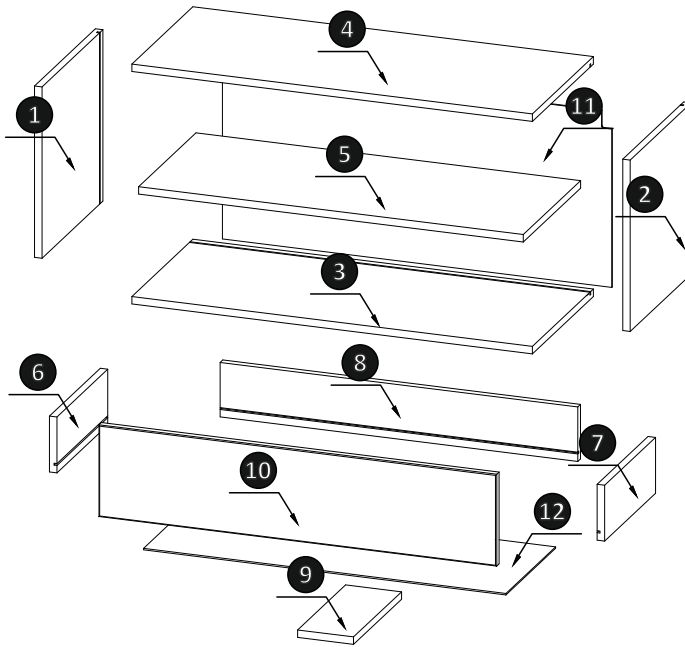
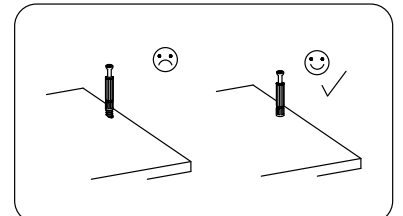
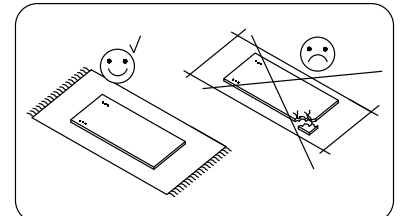
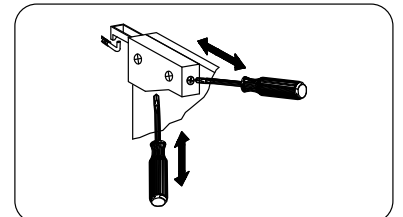
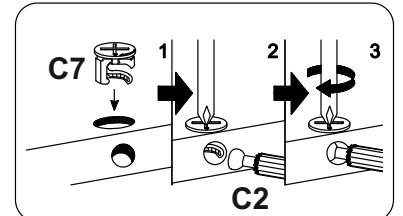
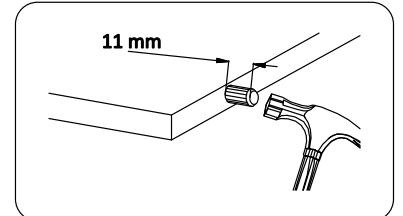
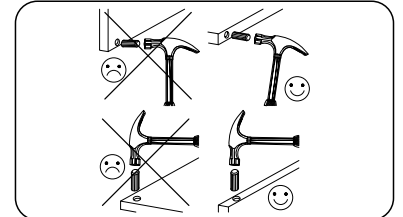
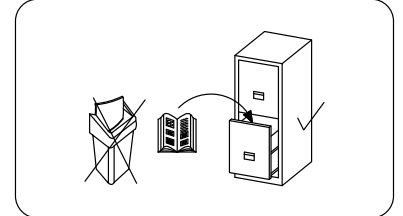
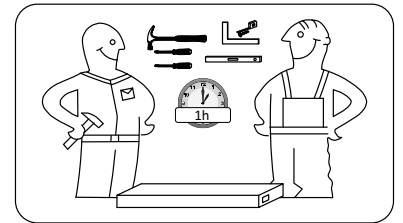


# E8

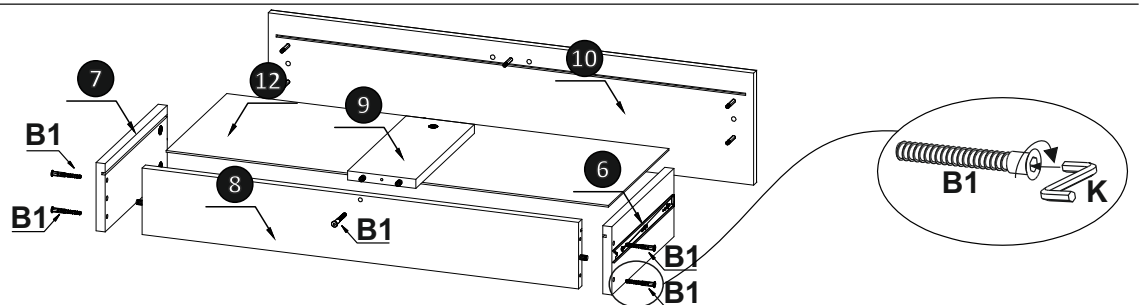
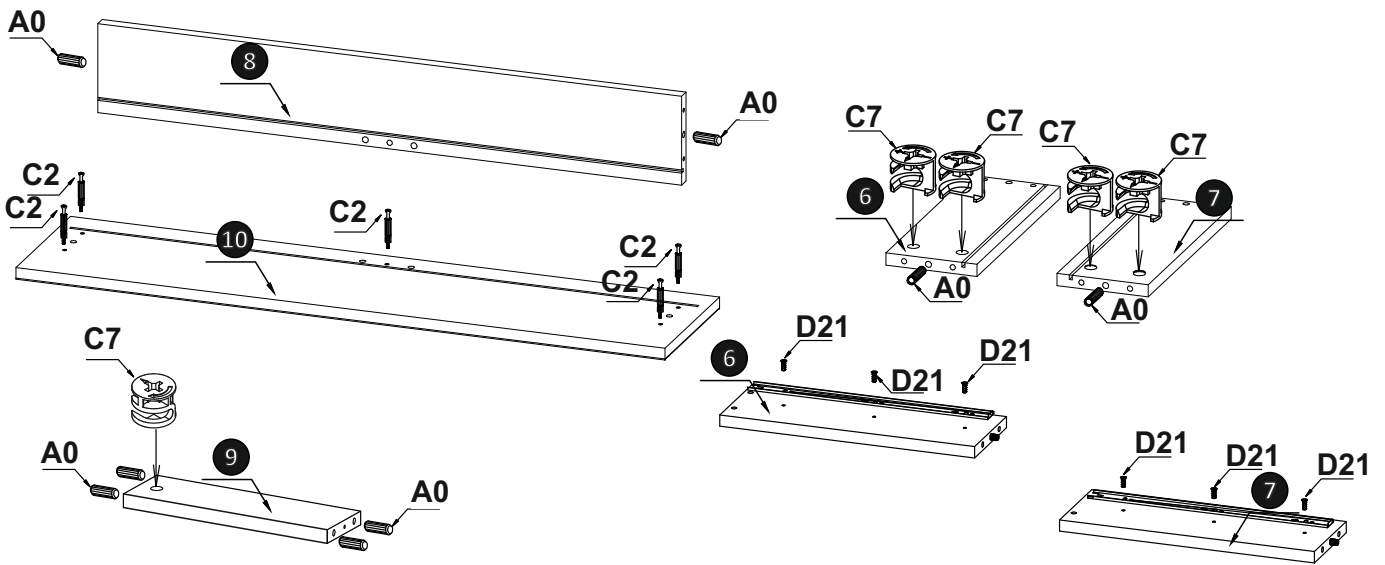
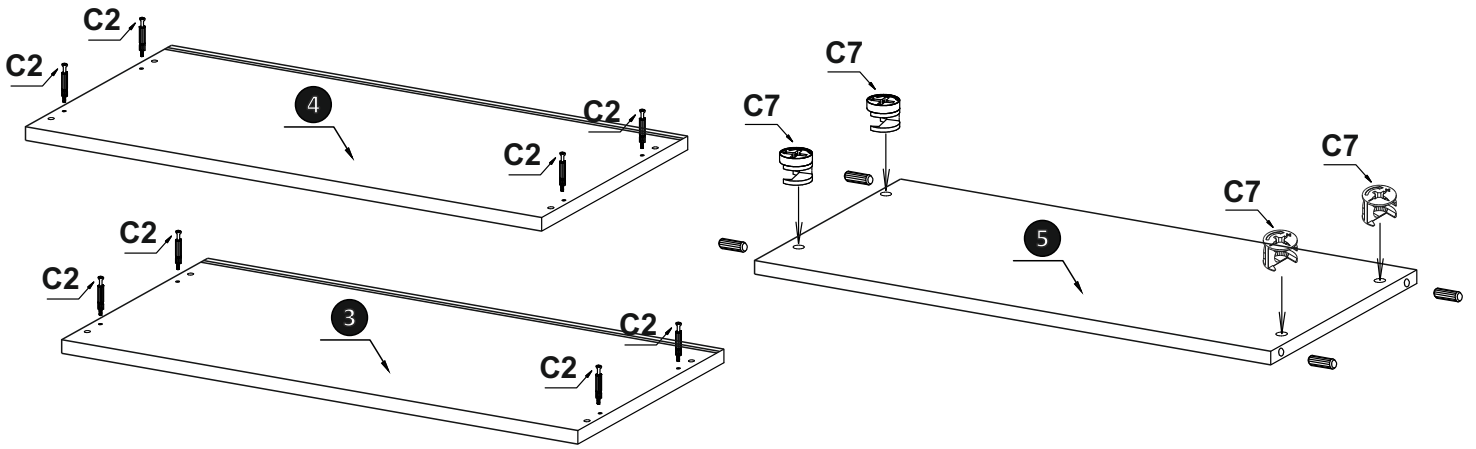
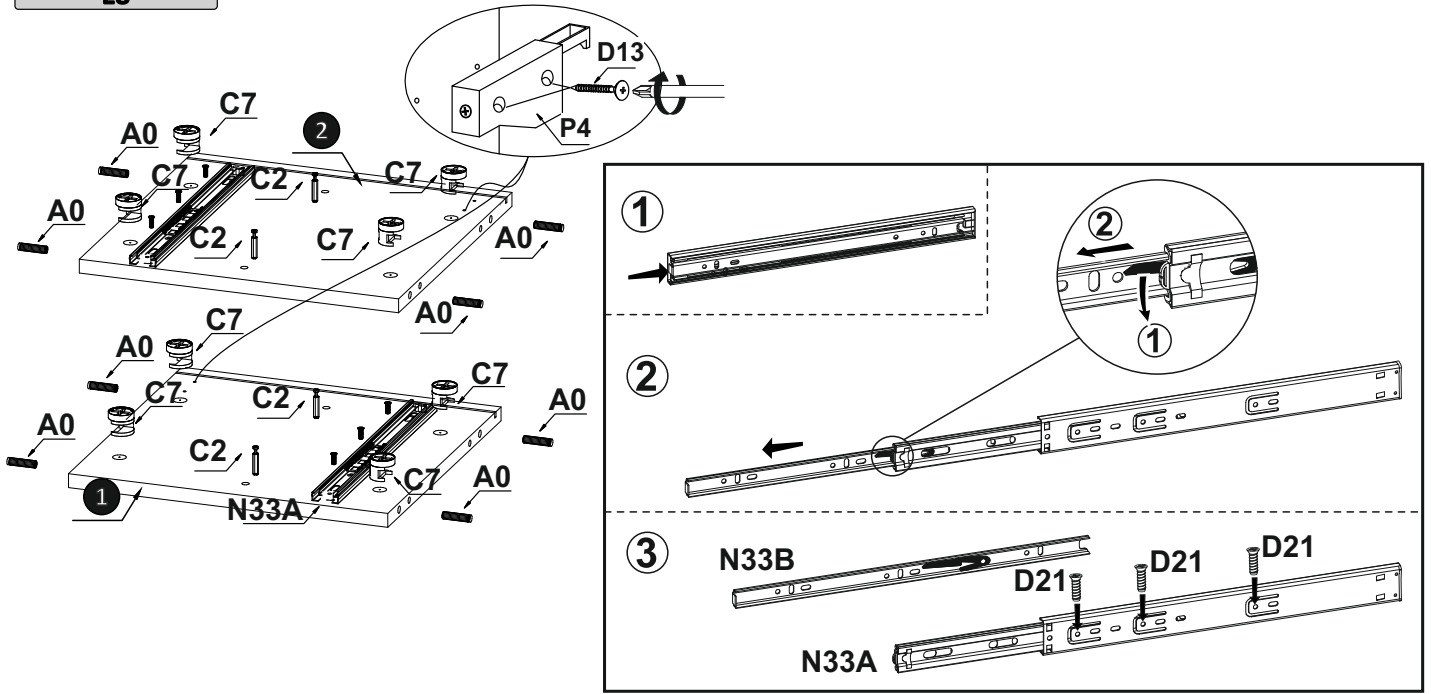


					8	1	768	117	16
1	1	386	359	16	9	1	283	120	16
2	1	368	359	16	10	1	854	197	16
3	1	860	360	16	11	1	836	377	3
4	1	860	360	16	12	1	778	293	3
5	1	826	338	16					
6	1	300	120	16					
7	1	300	120	16					



<b>A0</b>  8x30 20	<b>B1</b>  7x50 5	<b>C0</b>  17	<b>C2</b>  17	<b>C7</b>  17	<b>D0</b>  3x15 16	<b>D5</b>  3,5x16 4	<b>D13</b>  4x30 4	<b>D21</b>  5x13 12
-----------------------------	----------------------------	---------------------	---------------------	---------------------	-----------------------------	------------------------------	-----------------------------	------------------------------

<b>K</b>  4mm 1	<b>M1</b>  16	<b>N33</b>  L-300 1	<b>P4</b>  2
--------------------------	---------------------	------------------------------	--------------------



E9

