

1. - 1 Pc.



2. - 1 Pc.



3. - 2 Pcs.



4. - 2 Pcs.



A. -M6x10-8Pcs



B. -M6x35-4Pcs



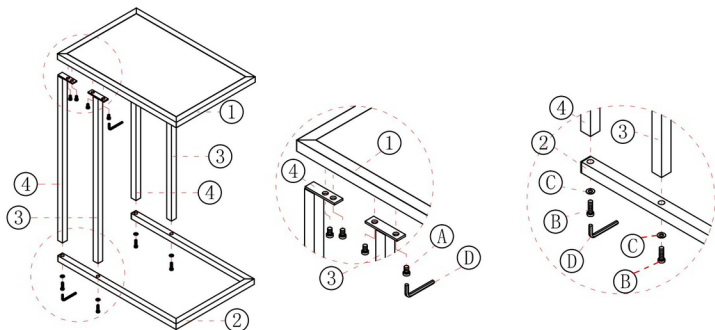
C. - 4 Pcs.



D. - 1 Pc.



1



2

