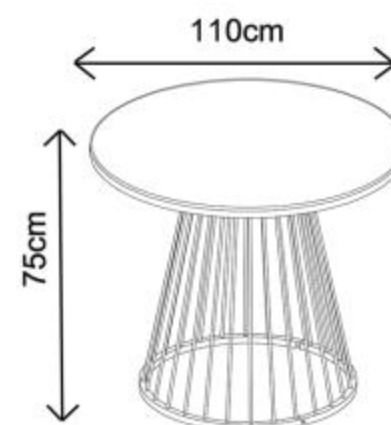
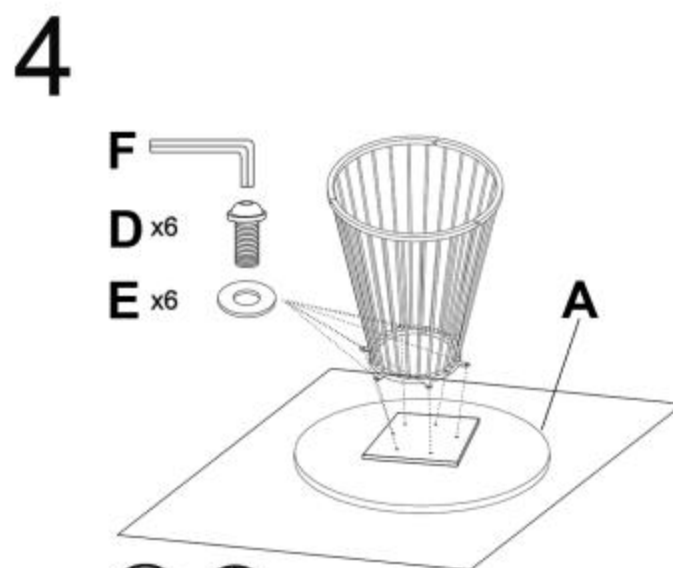
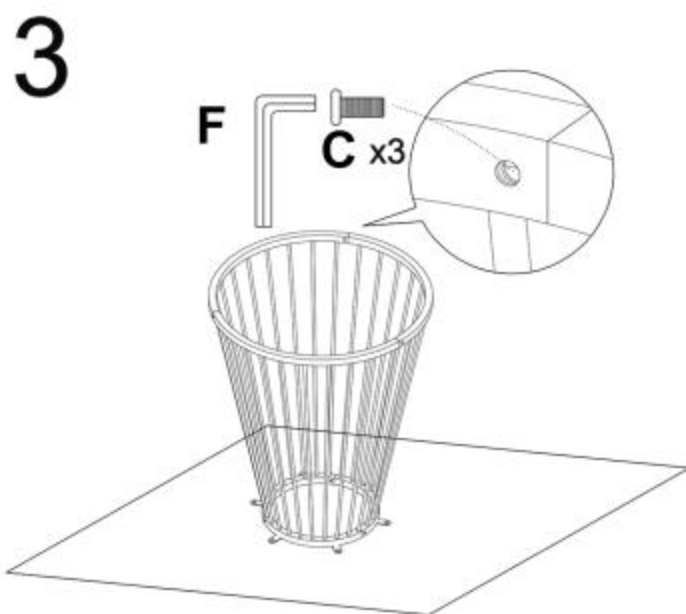


A		x1
B		x3
C		x6
D		x6
E		x6
F		x1



max. 20 kg