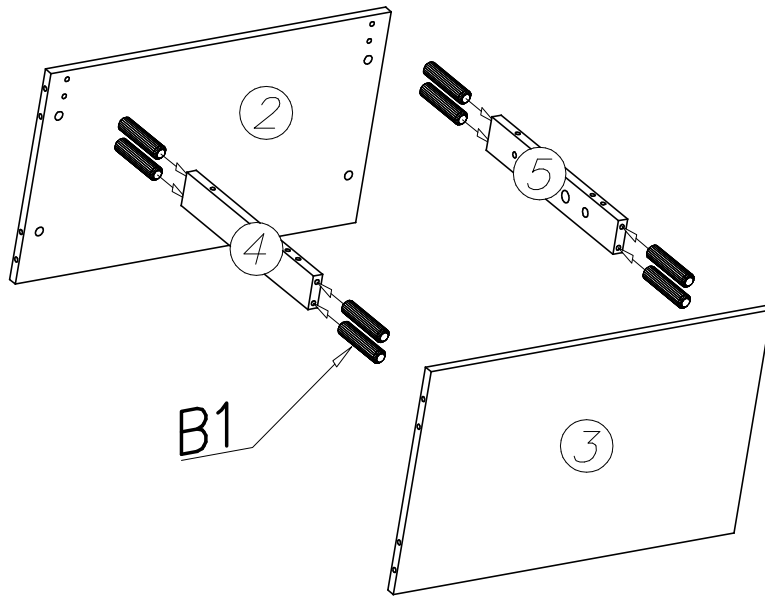
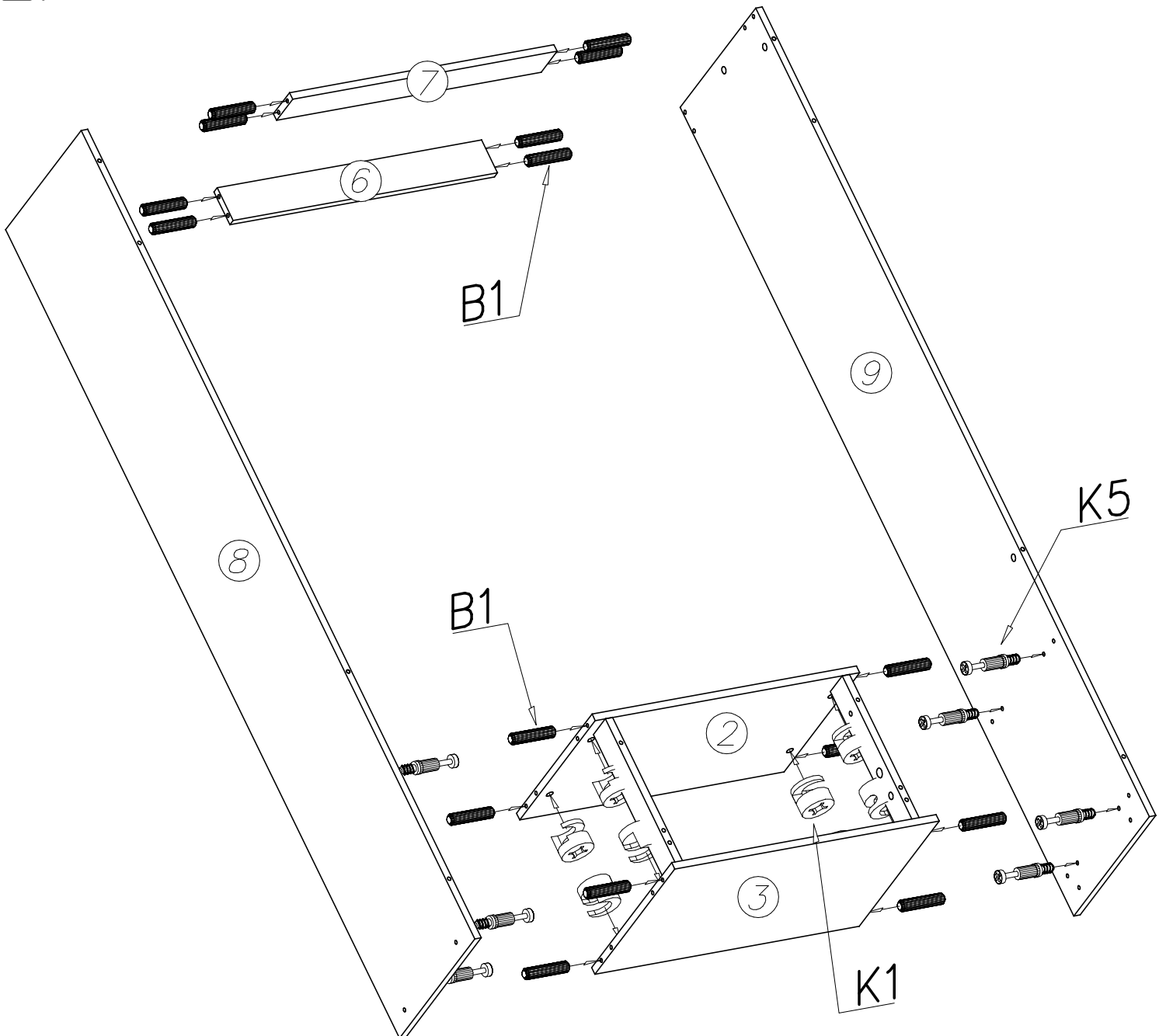


	<b>R3</b>  x1	<b>B1</b>  $\varnothing 8 \times 35$ x38	<b>E6</b>  x1	<b>O1</b>  x2
<b>C5</b>  Z35R0 x3	<b>D5</b>  PZ35R0 x3	<b>G4</b>  4x16 x18	<b>N13</b>  M4x20 x3	
<b>O11</b>  x2	<b>G21</b>  3x16 x60	<b>O3</b>  x2	<b>O4</b>  x2	<b>E7</b>  x1
<b>G3</b>  4x30 x4	<b>P4</b>  x4	<b>K1</b>  $\varnothing 15 \times 12$ x16	<b>I7</b>  x16	<b>K5</b>  x16

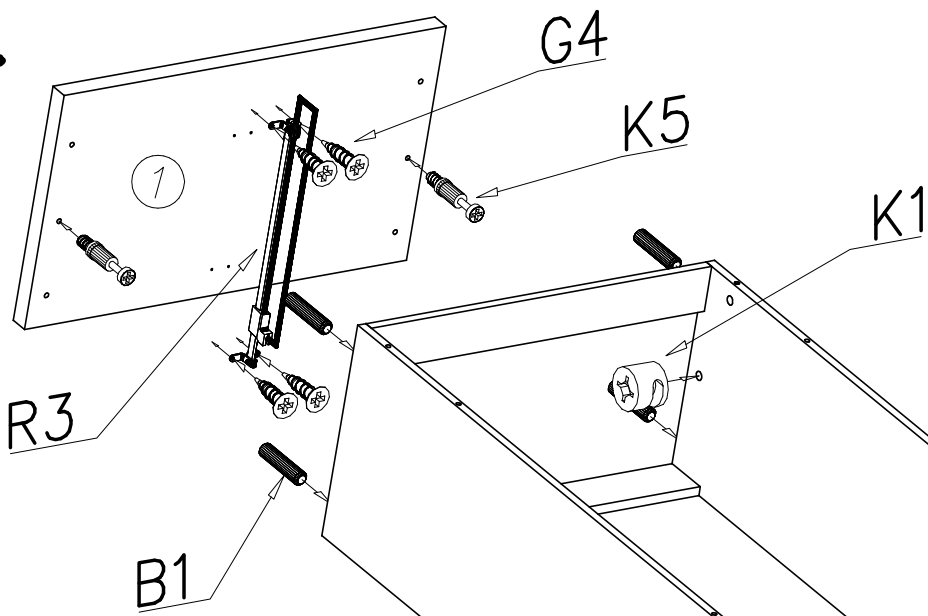
1.



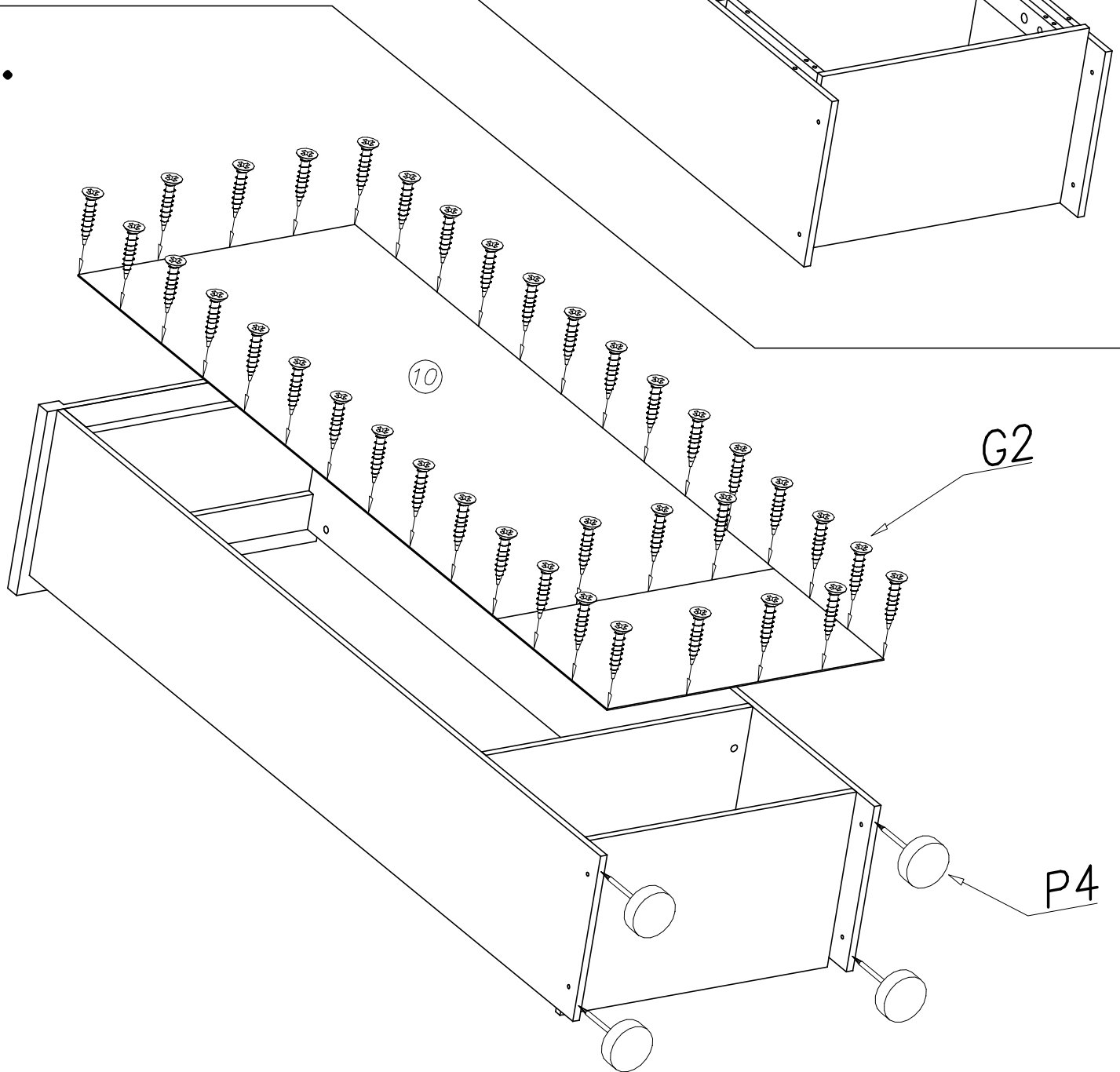
2.



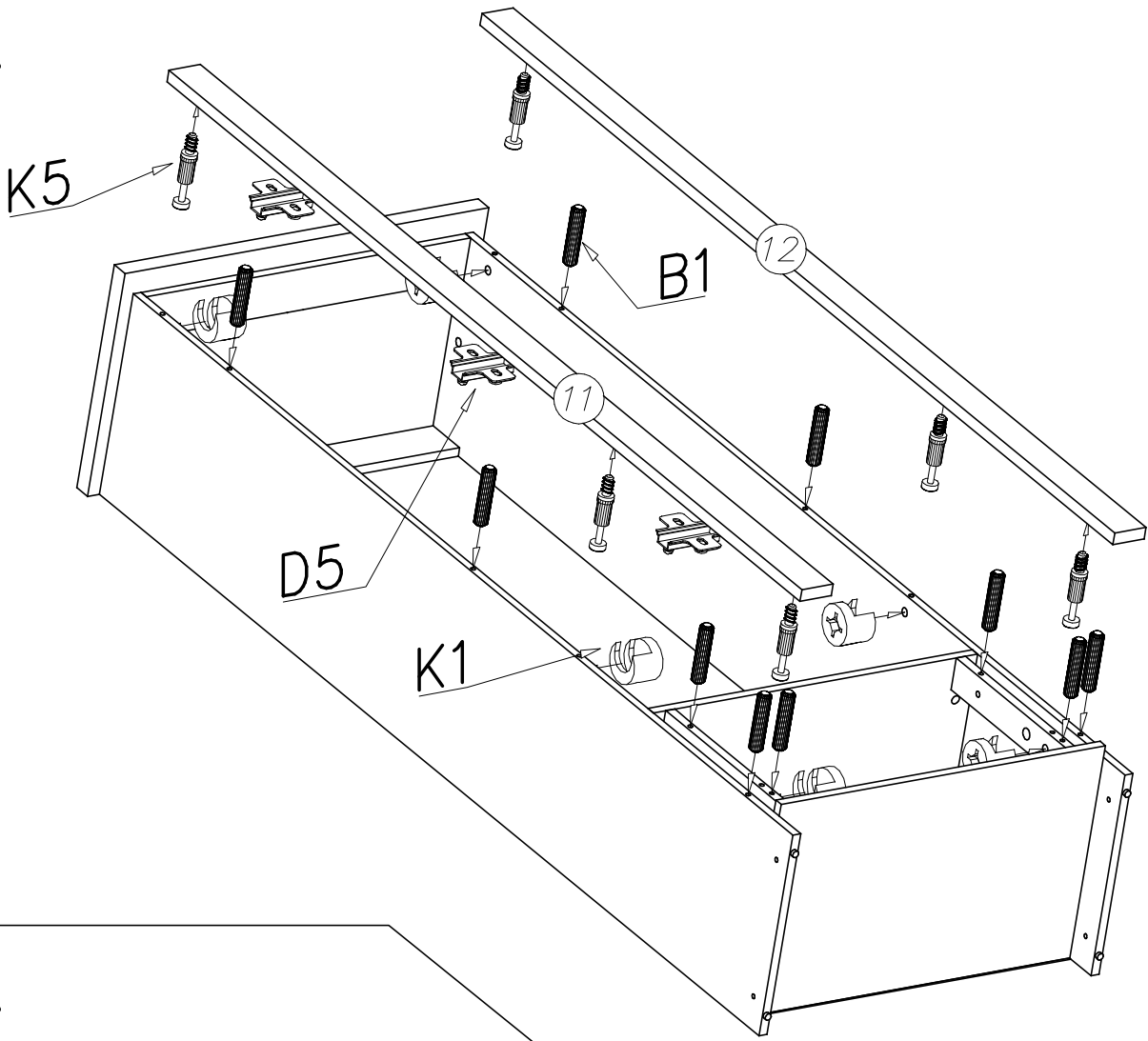
3.



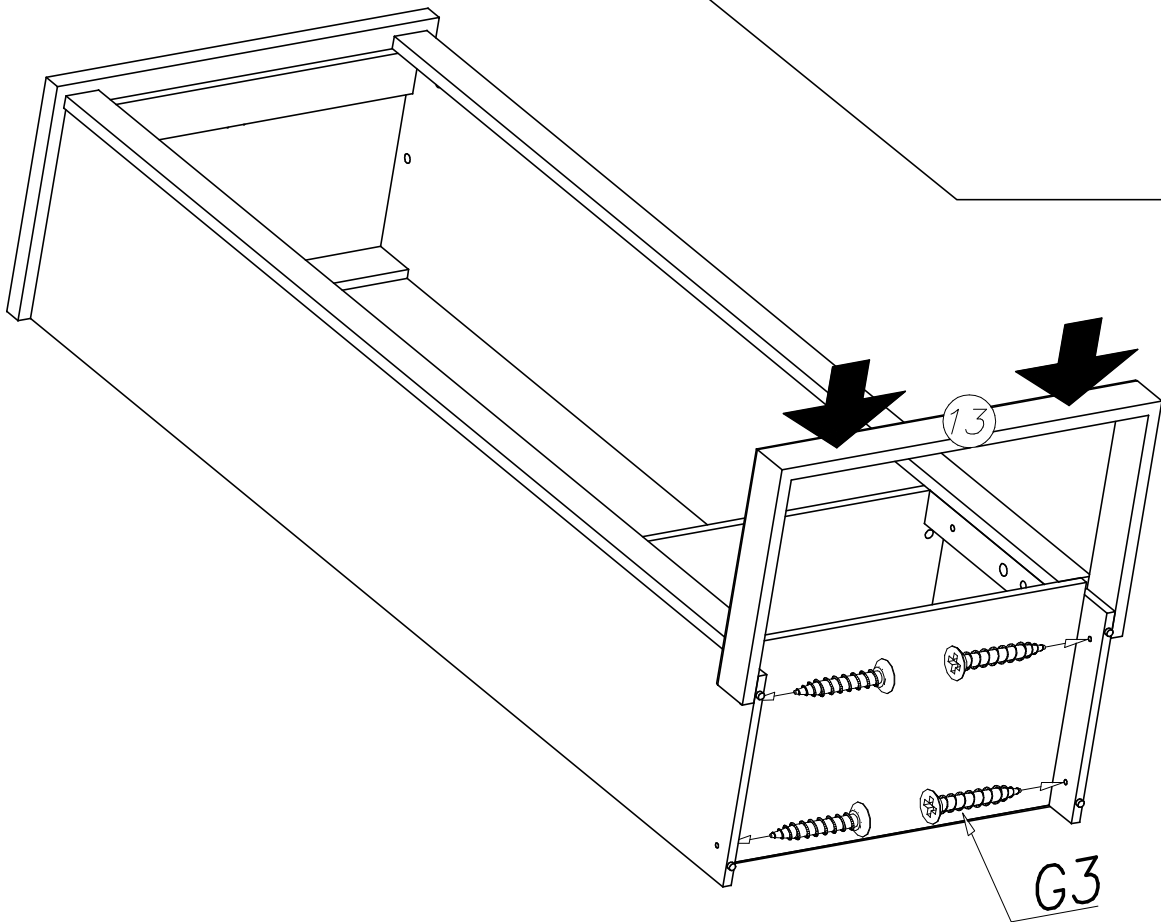
4.



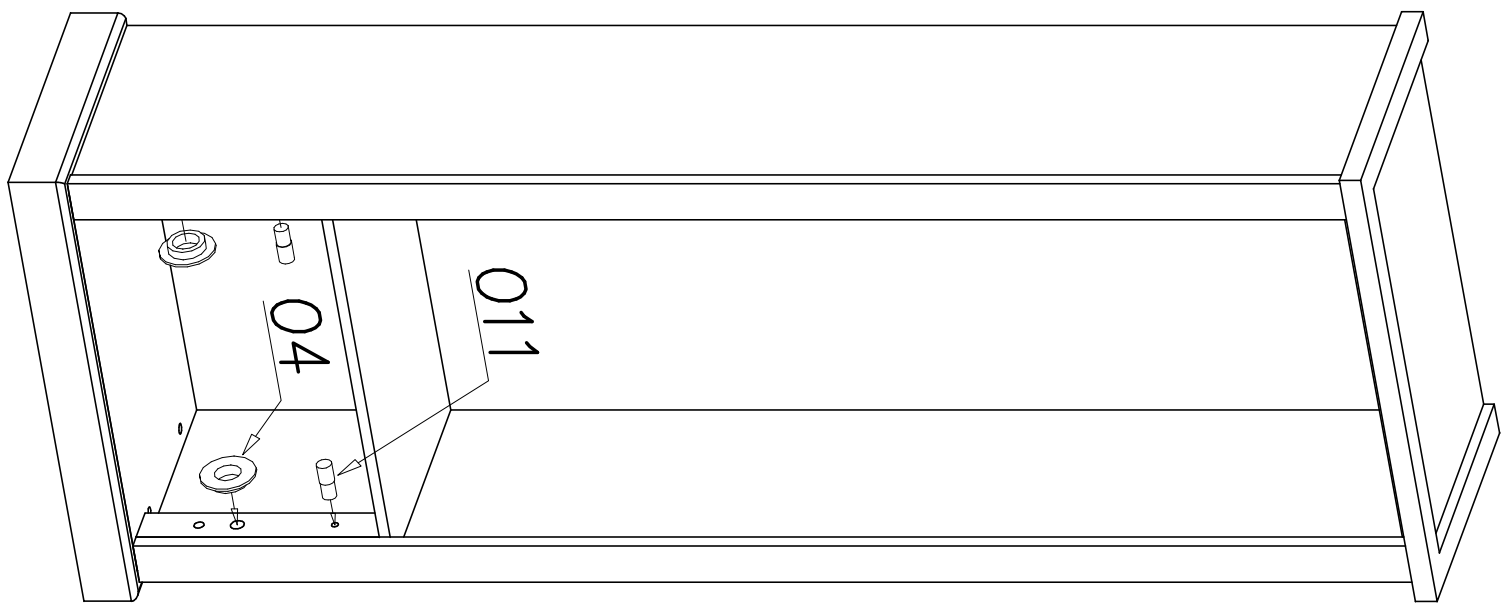
5.



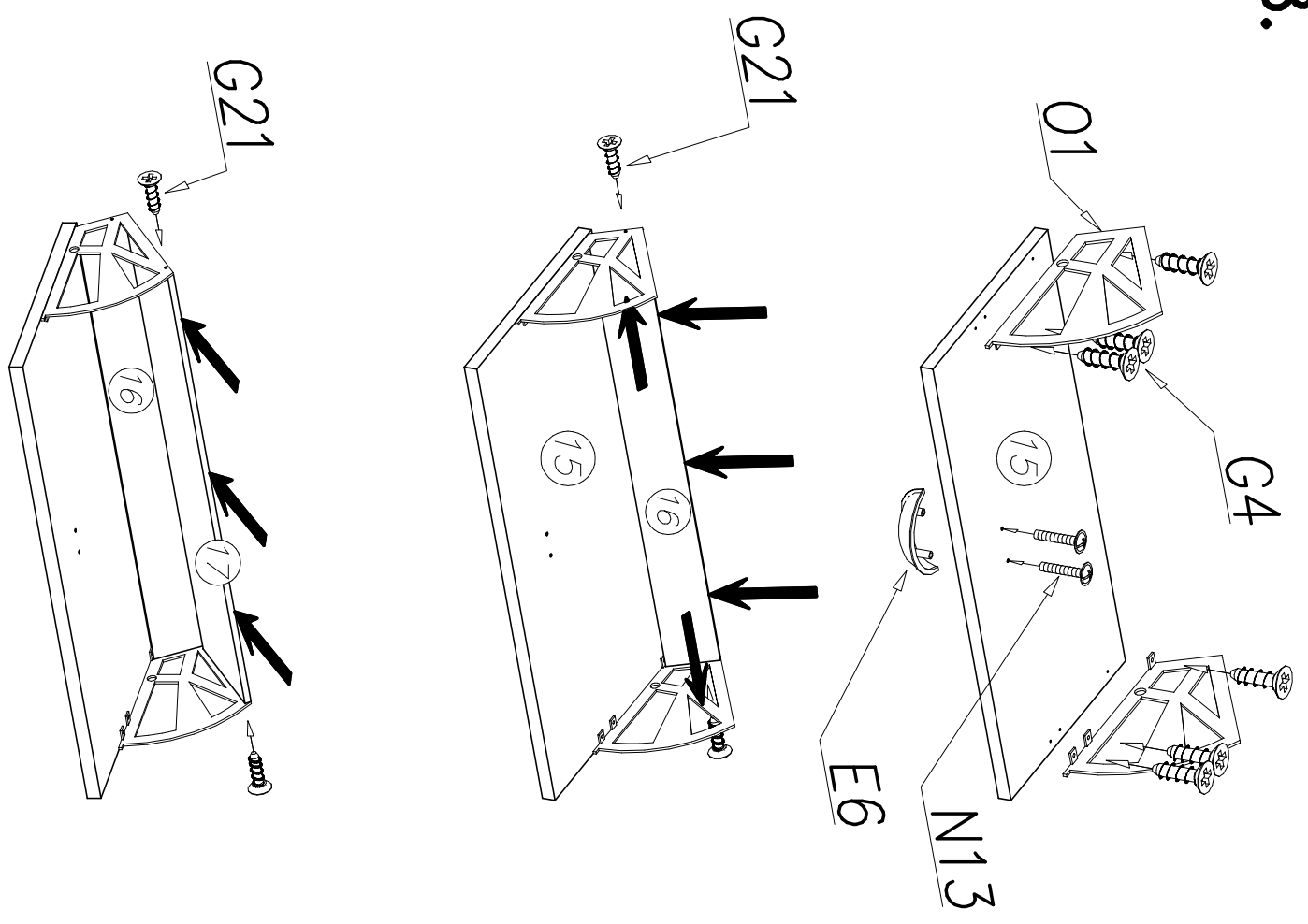
6.



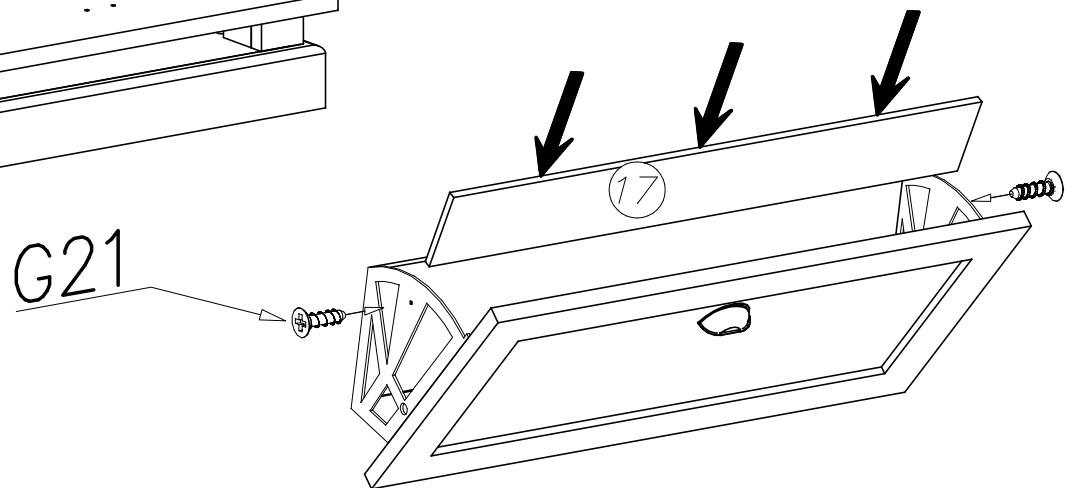
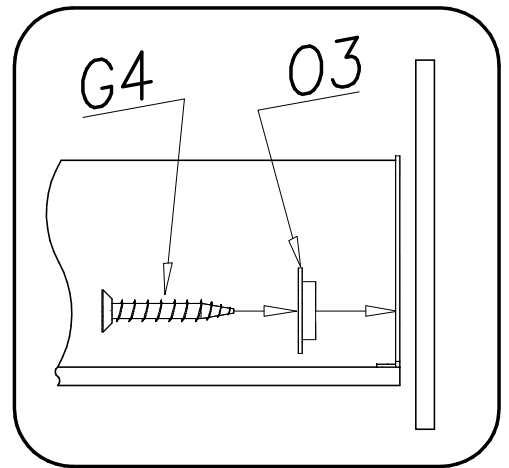
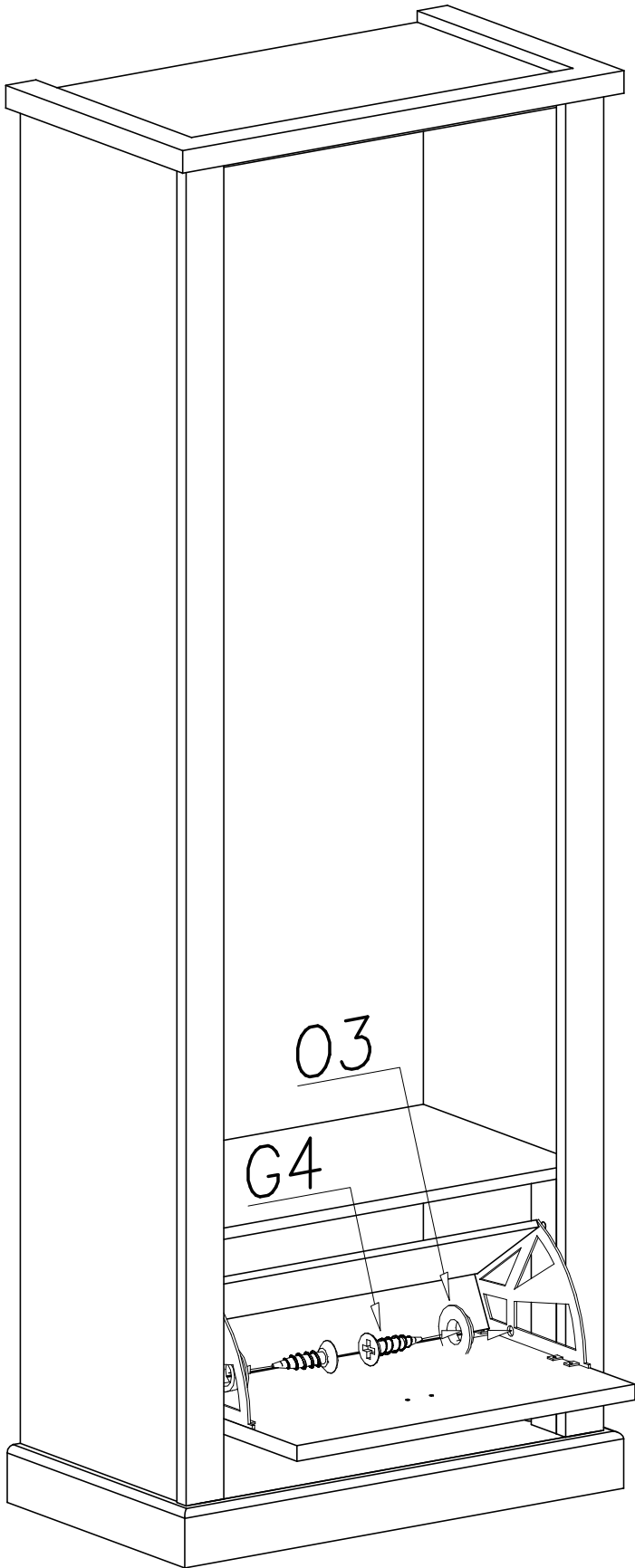
7.



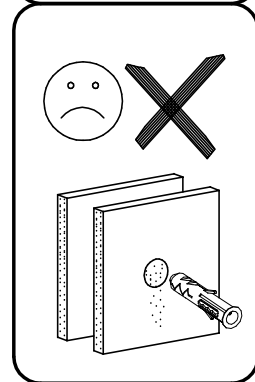
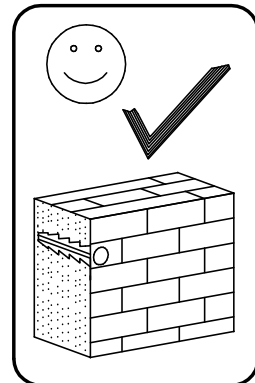
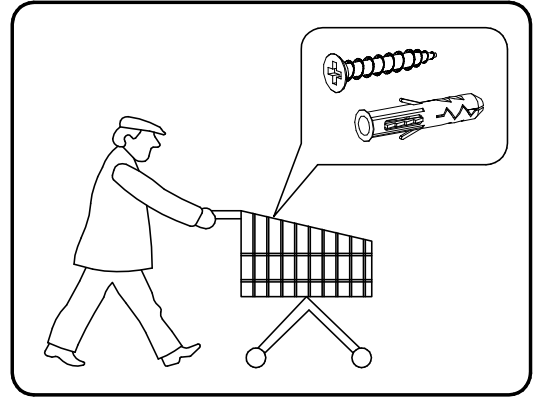
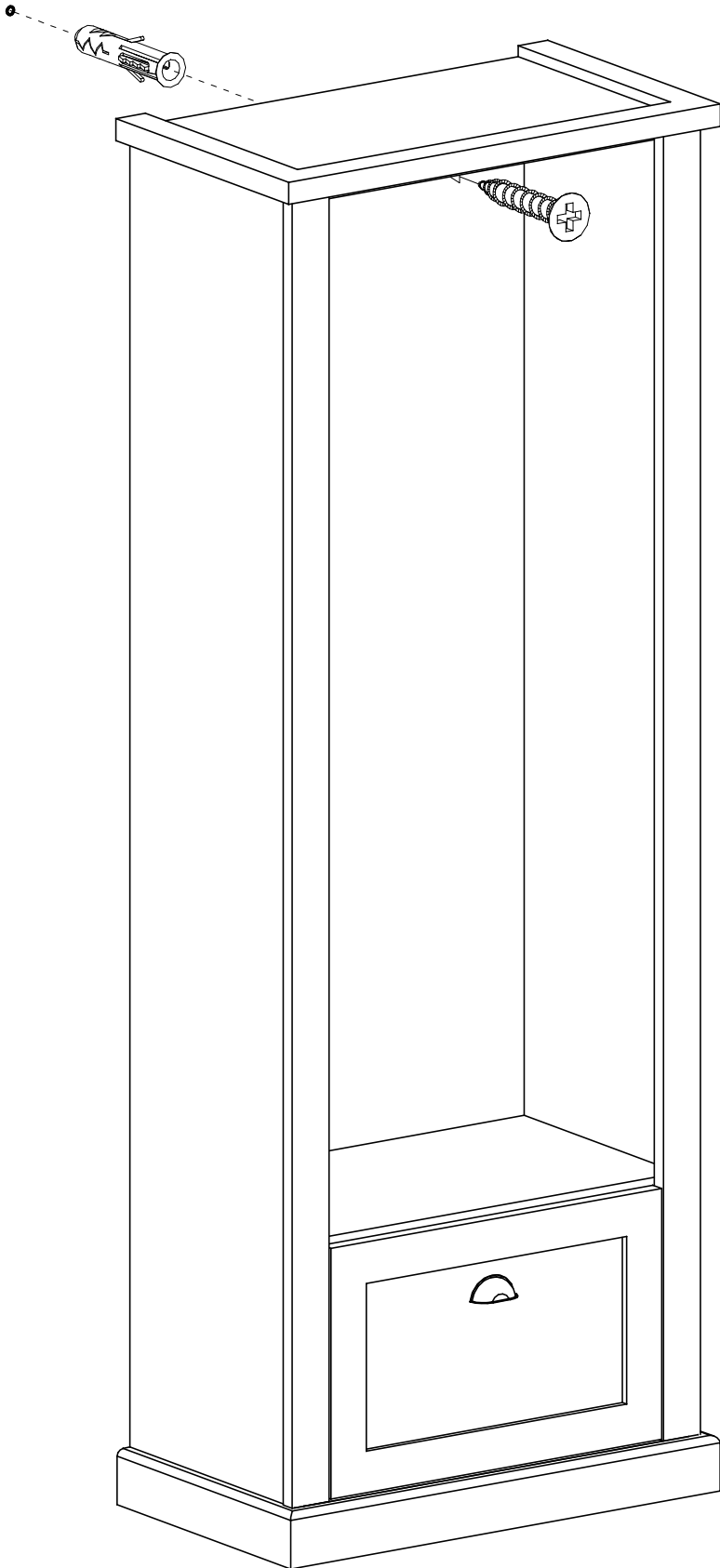
8.



9.



10.



11.

