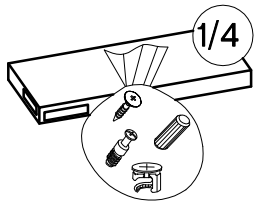
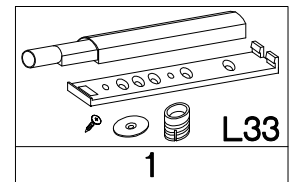
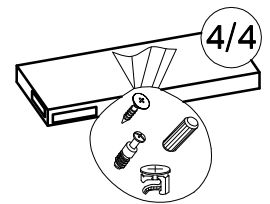
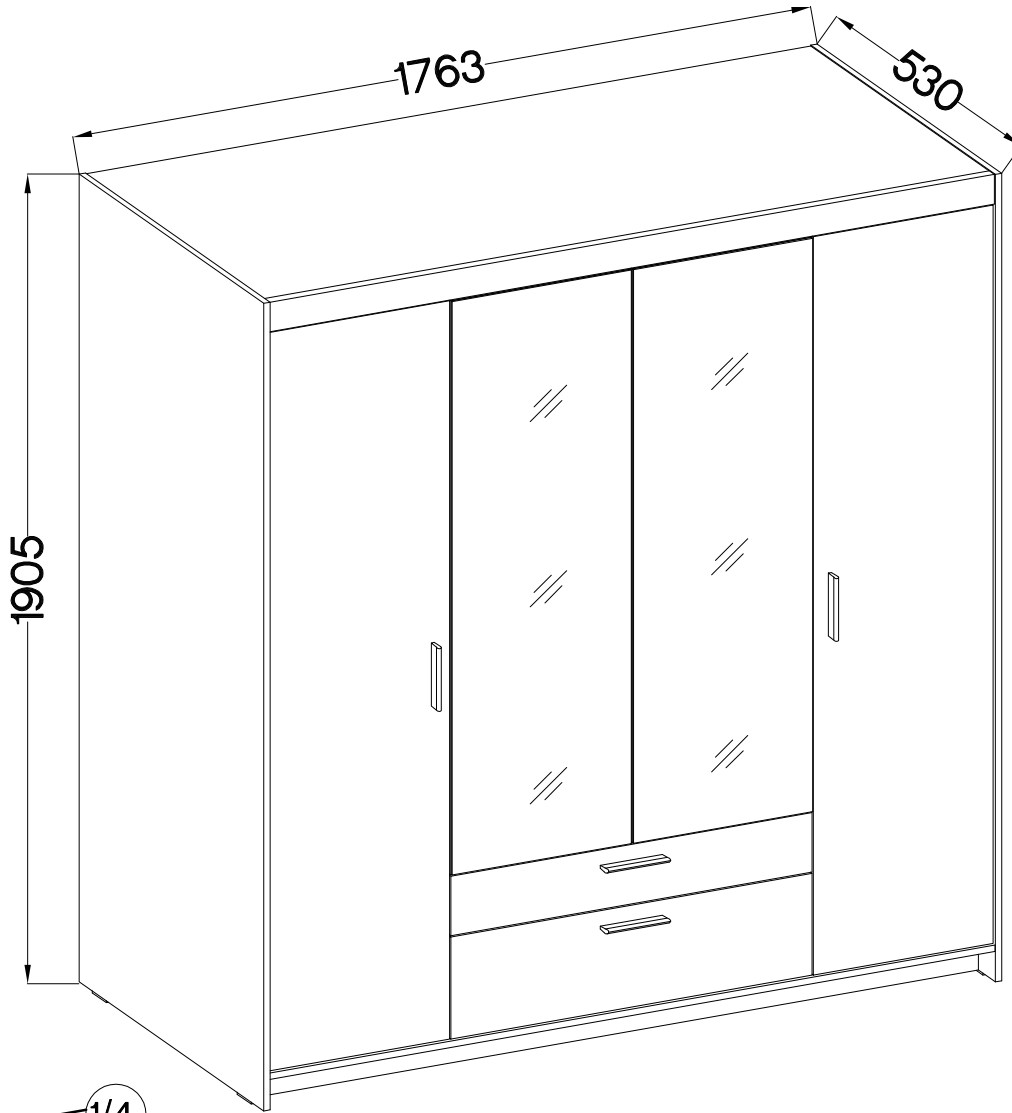
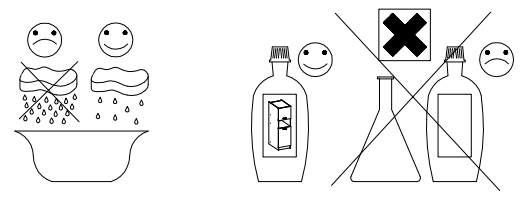
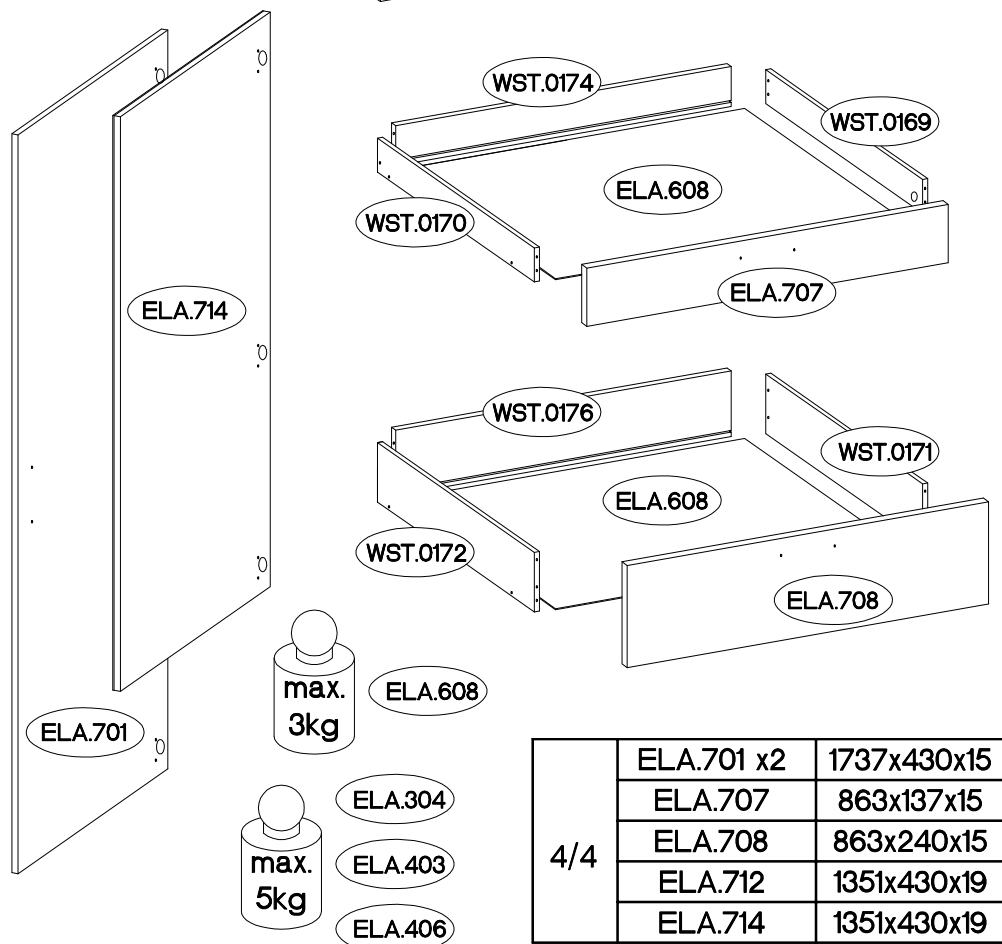
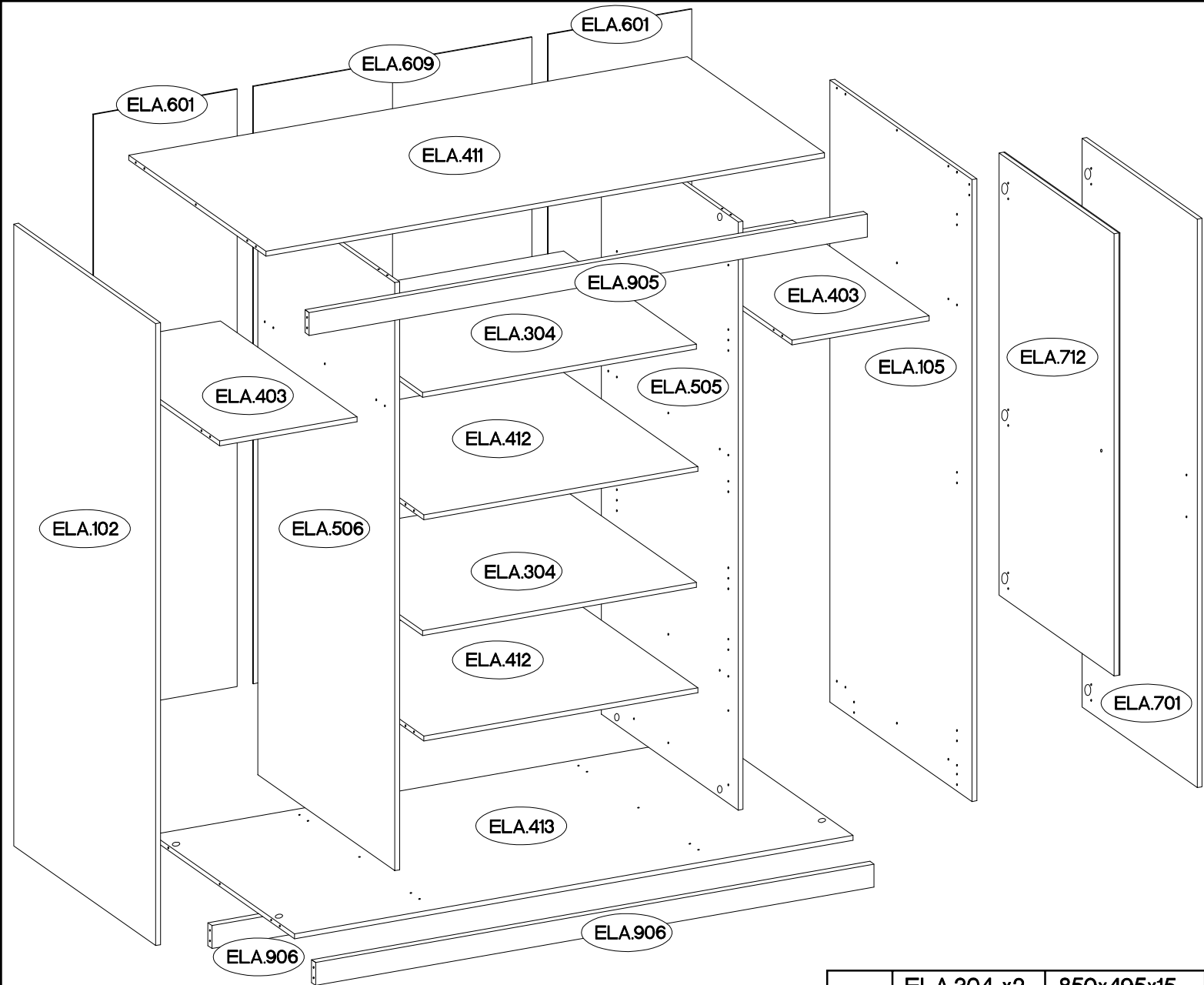


120 min



 A	 B2	 C	 C5	 D2	 E					
68	6	32	4	36	28					
 F2	 F4	 HG1	 HG2	 I15	 J2	 J3	 J17	 K34	 L2	
4	4	6	6	2	2	8	4	2	24	
 L19	 M2	 M4	 O7	 P1	 P5	 P7	 P12	 R2	 S	 T3
2	12	12	2	12	44	95-100	2	8	4	6






1/4	ELA.304 x2	850x495x15
	ELA.403 x2	426x510x15
	ELA.411	1733x512x15
	ELA.412 x2	851x510x15
	ELA.413	1733x529x15

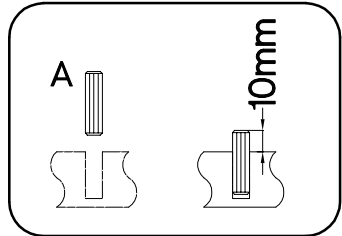
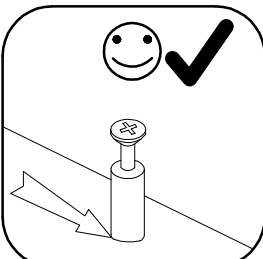
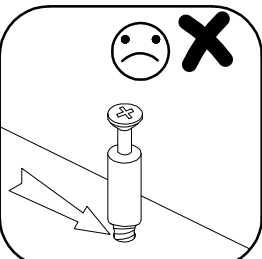
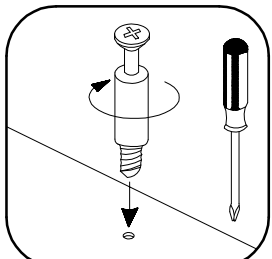
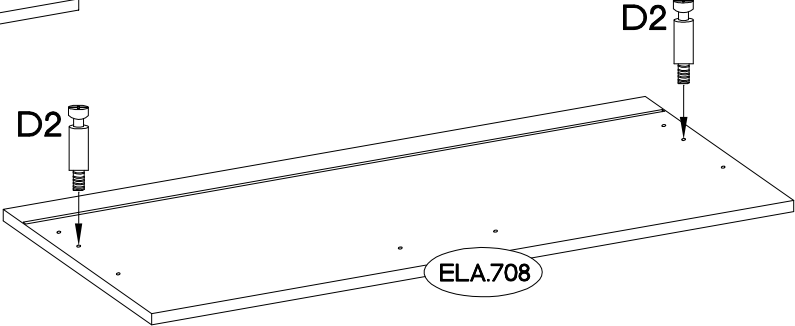
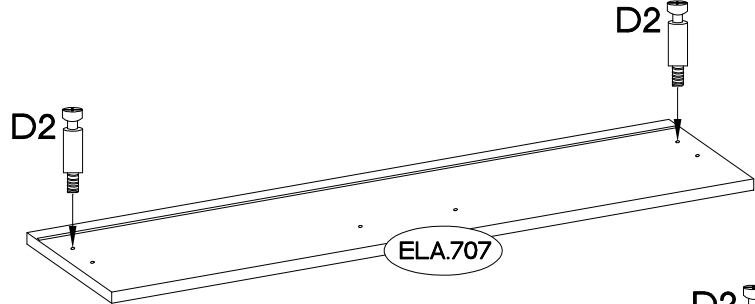
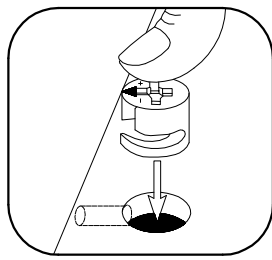
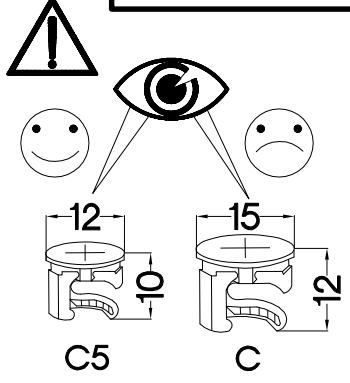
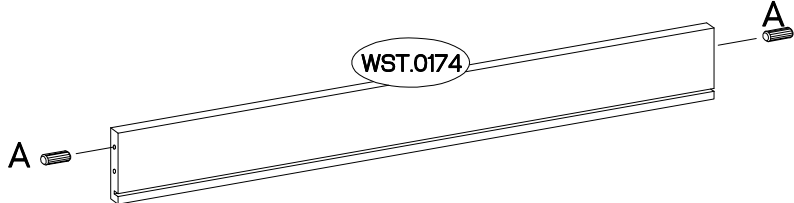
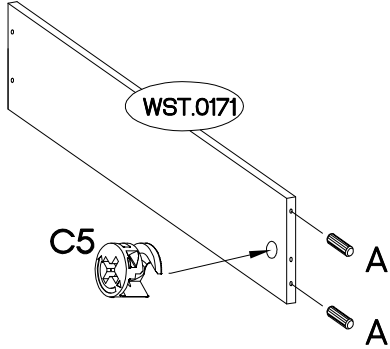
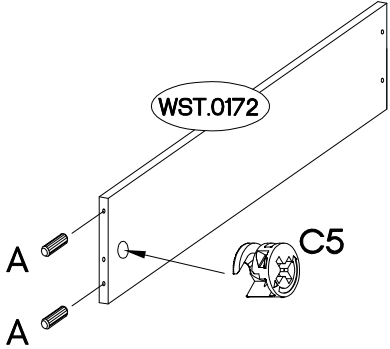
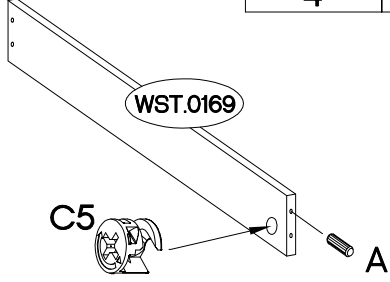
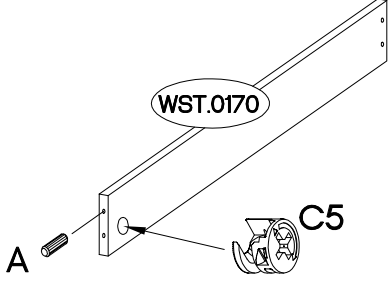
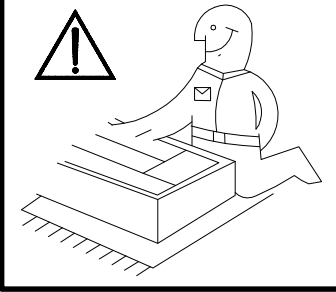
2/4	ELA.506	1797x511x15
	ELA.601 x2	1825x446x2.5
	ELA.608 x2	824x448x2.5
	ELA.609	1825x865x2.5
	ELA.905	1733x70x15
	ELA.906 x2	1733x70x15
	WST.0169	450x70x12
	WST.0170	450x70x12
	WST.0171	450x140x12
	WST.0172	450x140x12
WST.0174	801x84x12	
WST.0176	801x154x12	

4/4	ELA.701 x2	1737x430x15
	ELA.707	863x137x15
	ELA.708	863x240x15
	ELA.714	1351x430x19


3/4	ELA.102	1900x530x15
	ELA.105	1900x530x15
	ELA.505	1797x511x15

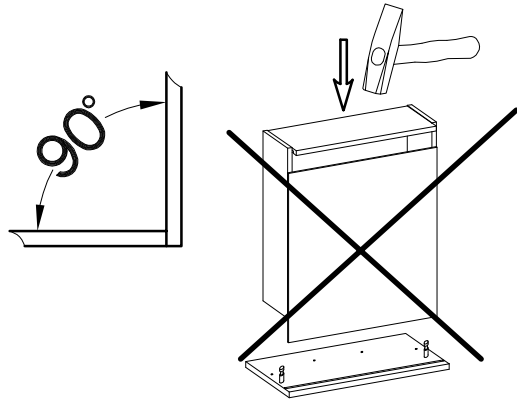
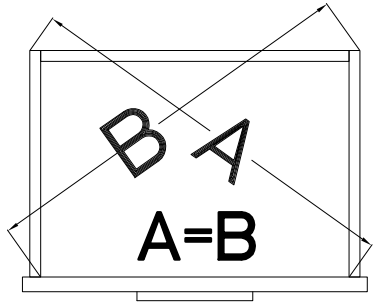
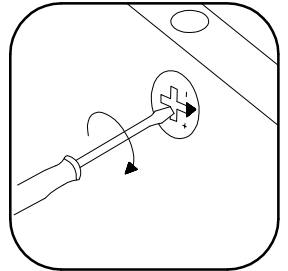
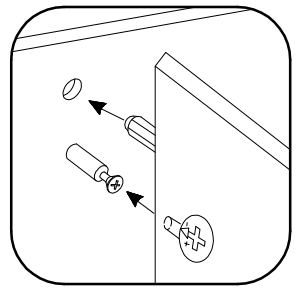
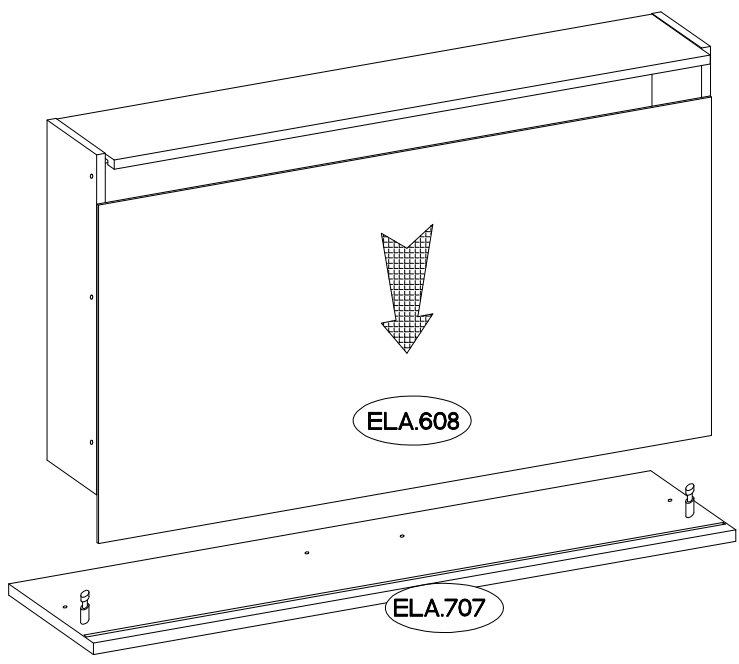
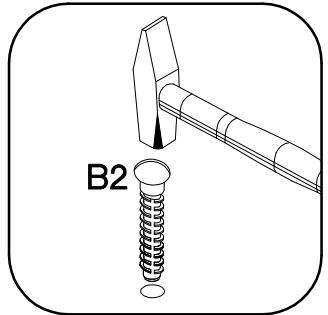
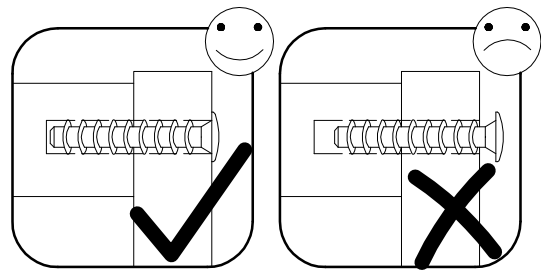
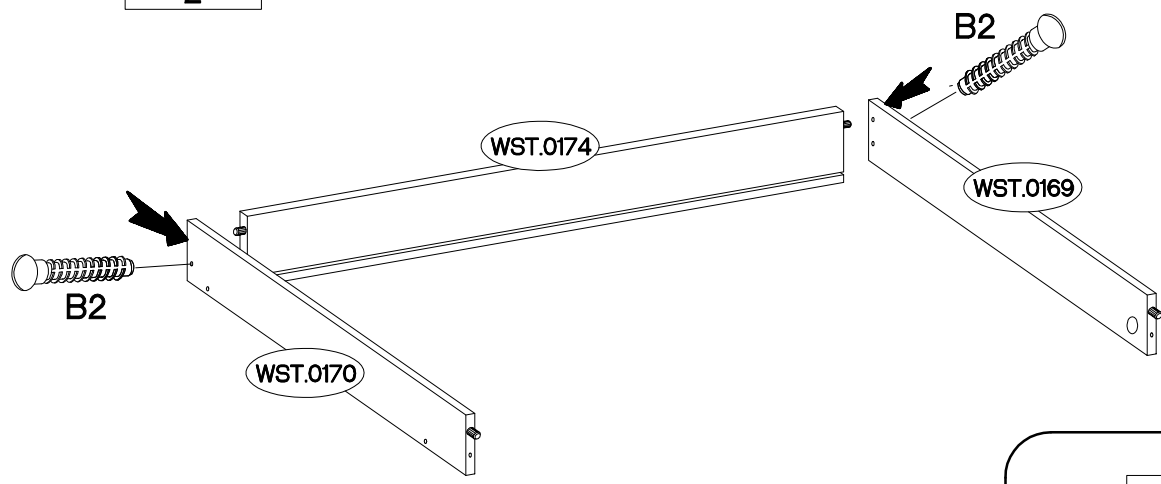
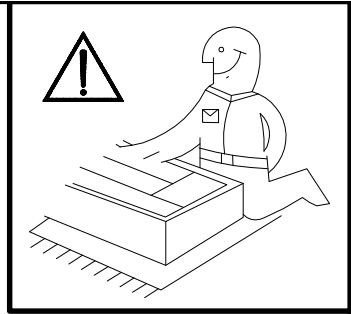
- ELA.304
- ELA.403
- ELA.406

L=20mm  D2 4	±12/10mm  C5 4	±8x30mm  A 8
---	--	---

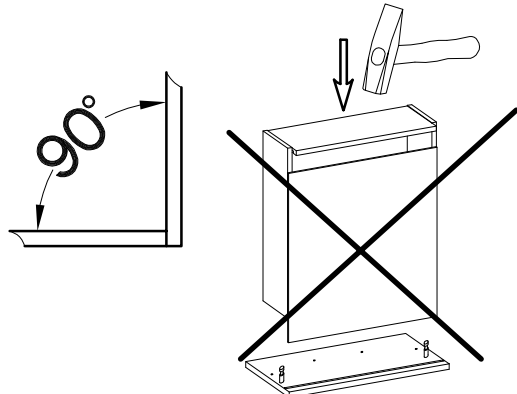
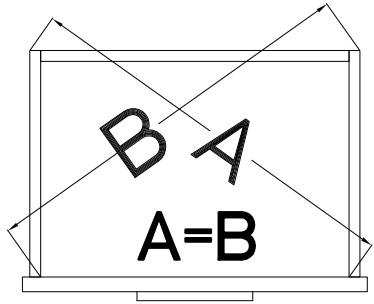
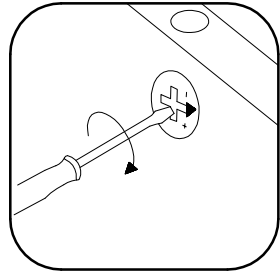
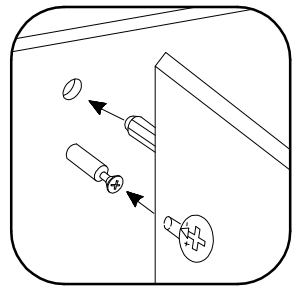
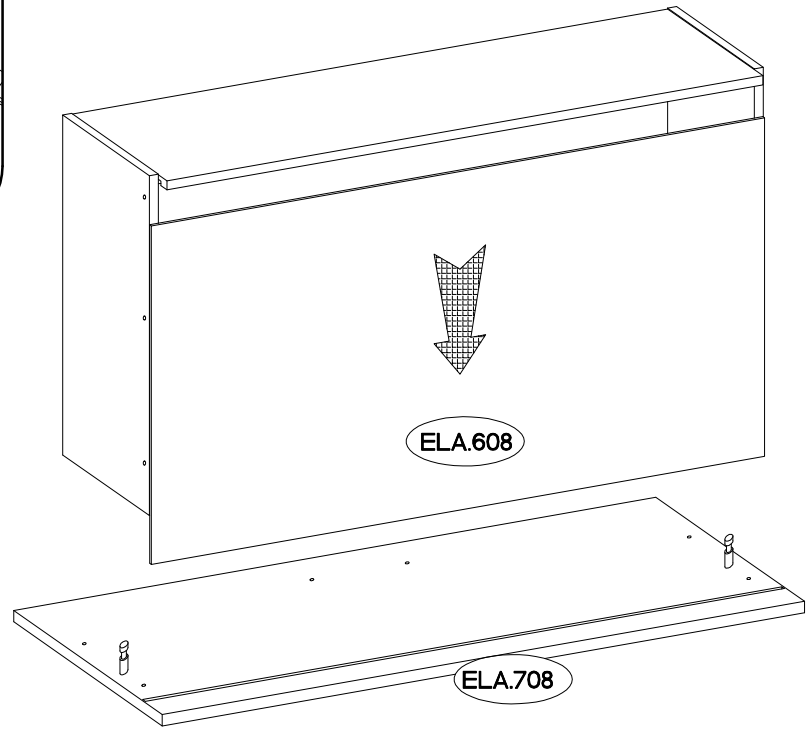
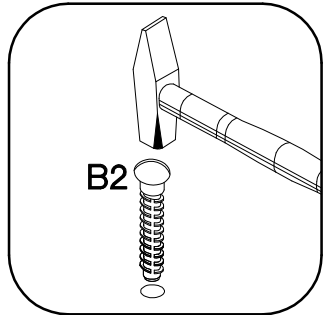
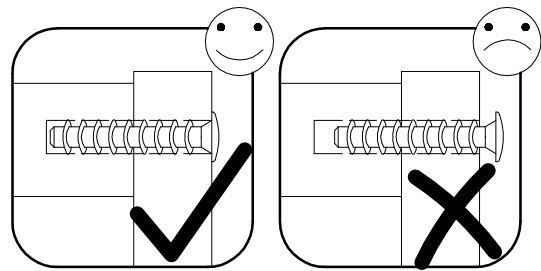
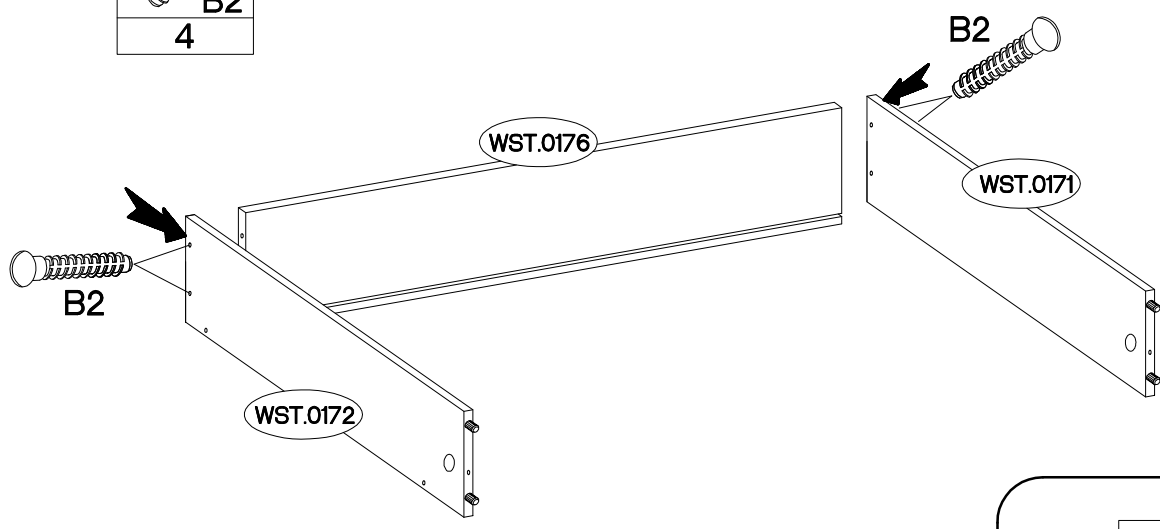
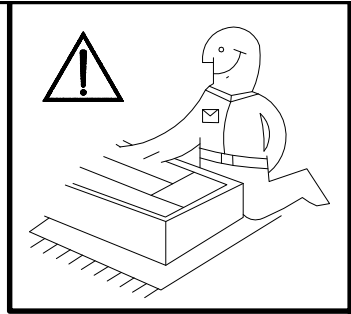
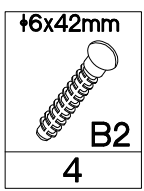


2




†6x42mm  
  
 B2  
 2

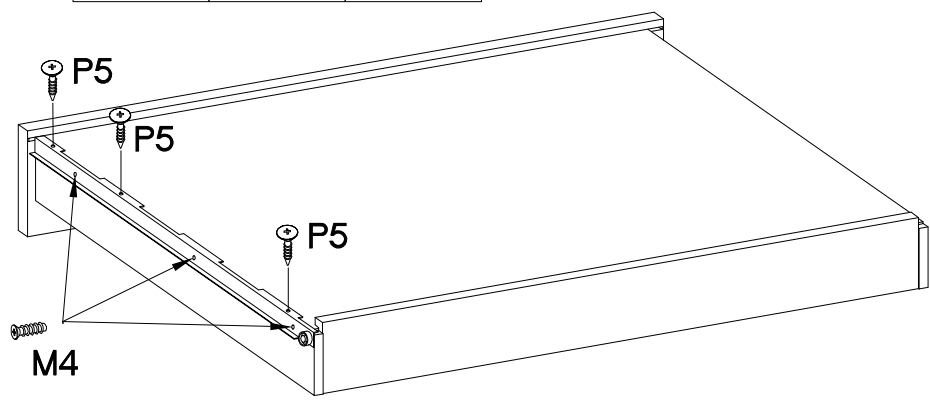
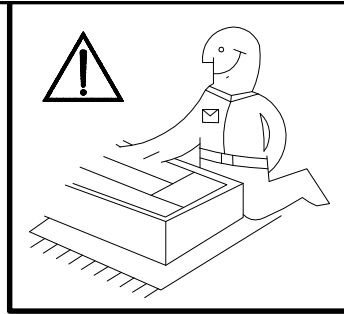
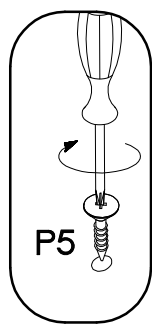


3

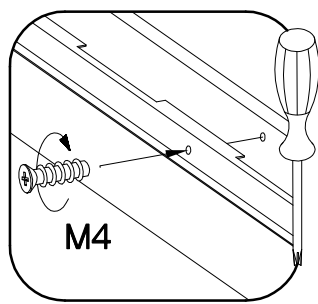
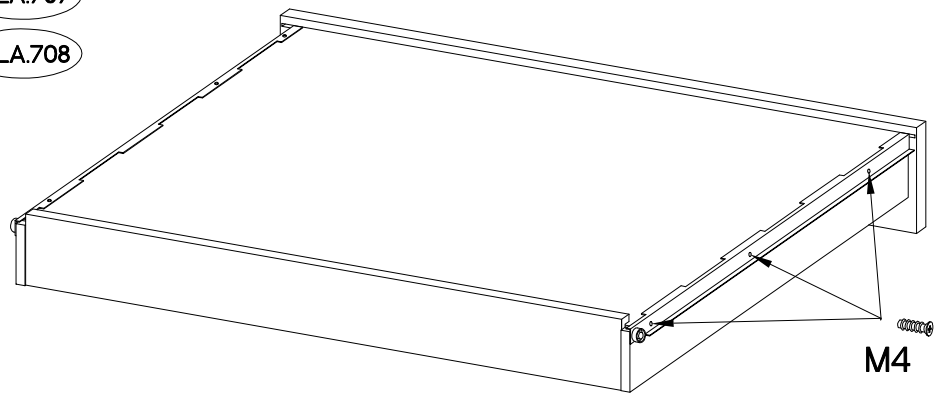


4

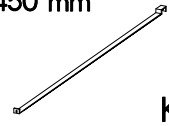

L=450mm  I15 2	+6,3x9,5mm  M4 12	+3.5x13mm  P5 6
---	--	--

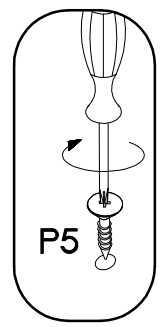
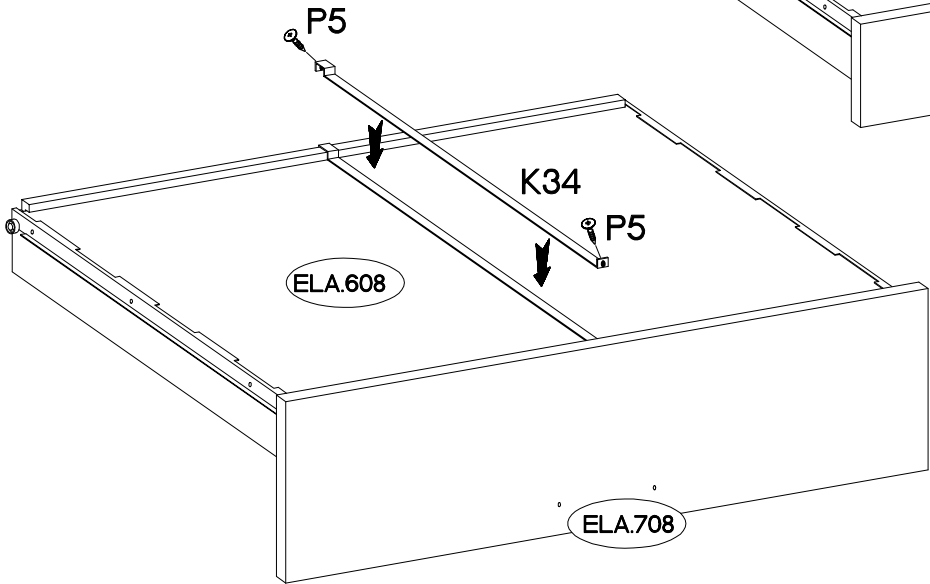
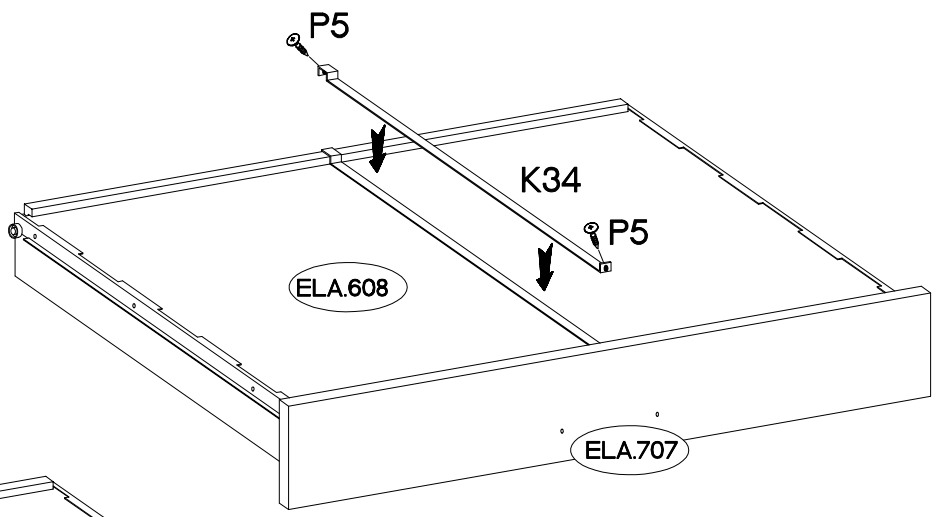


ELA.707  
ELA.708

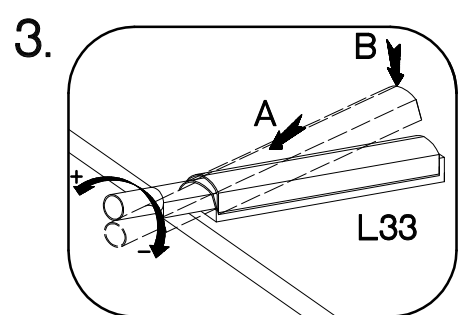
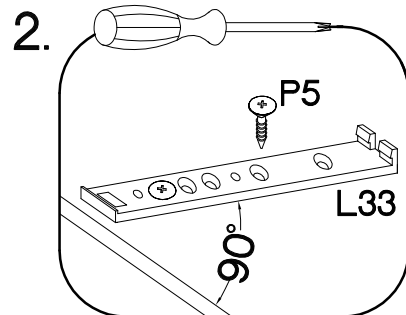
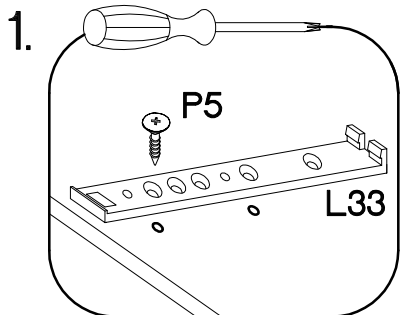
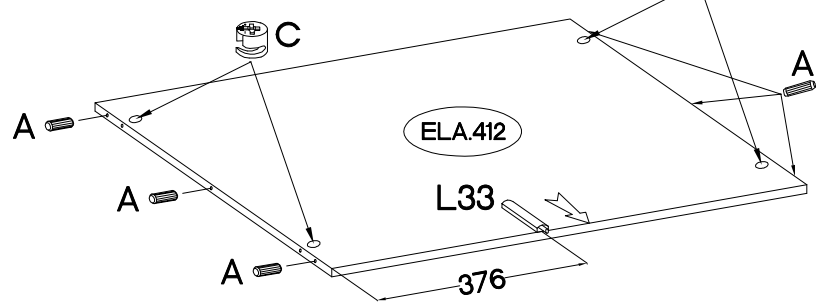
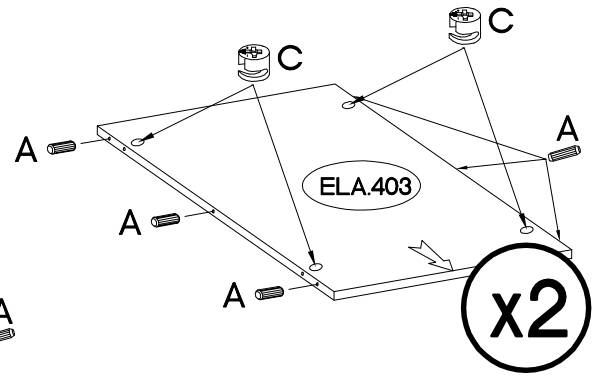
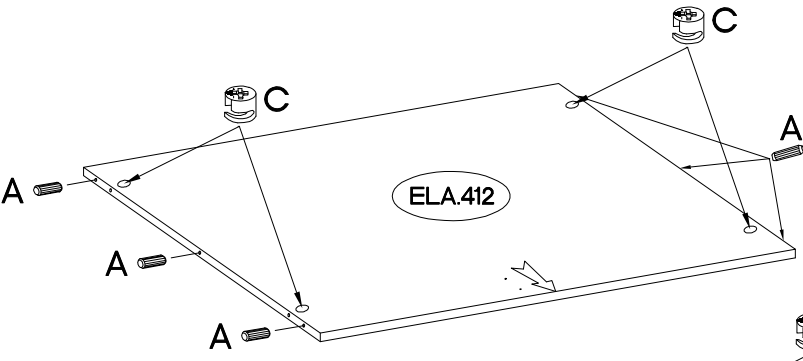
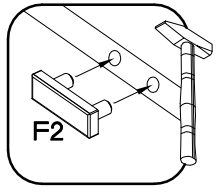
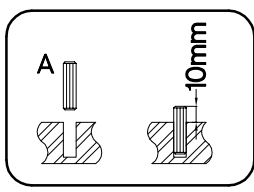
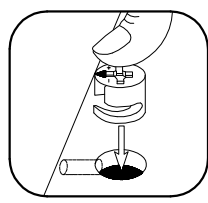
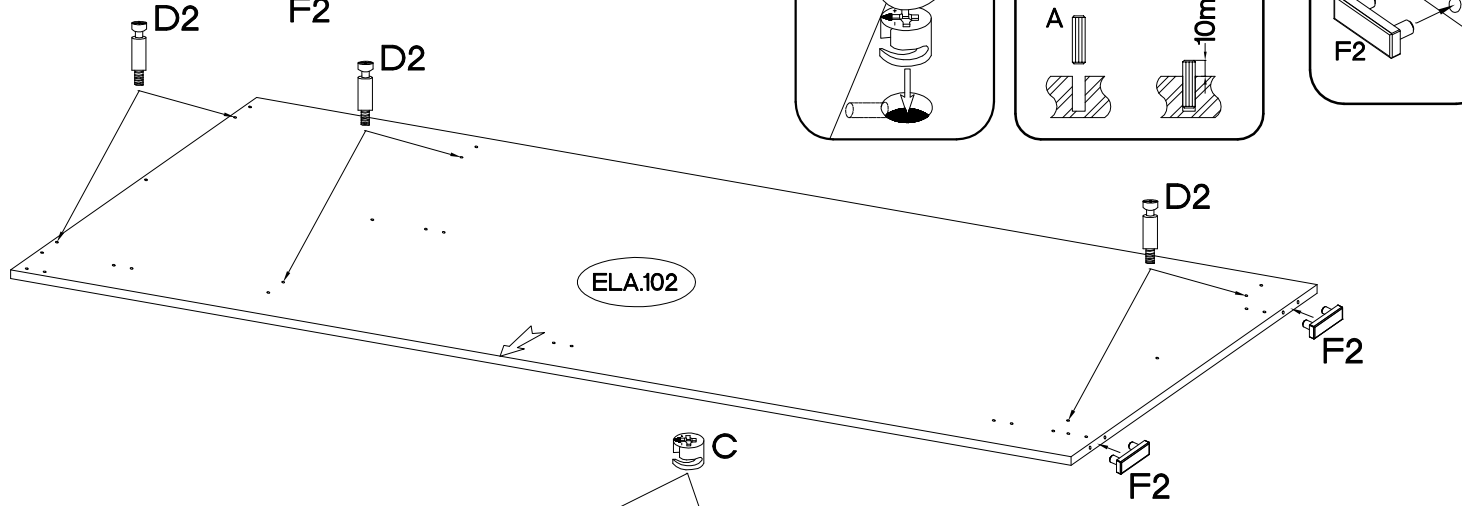
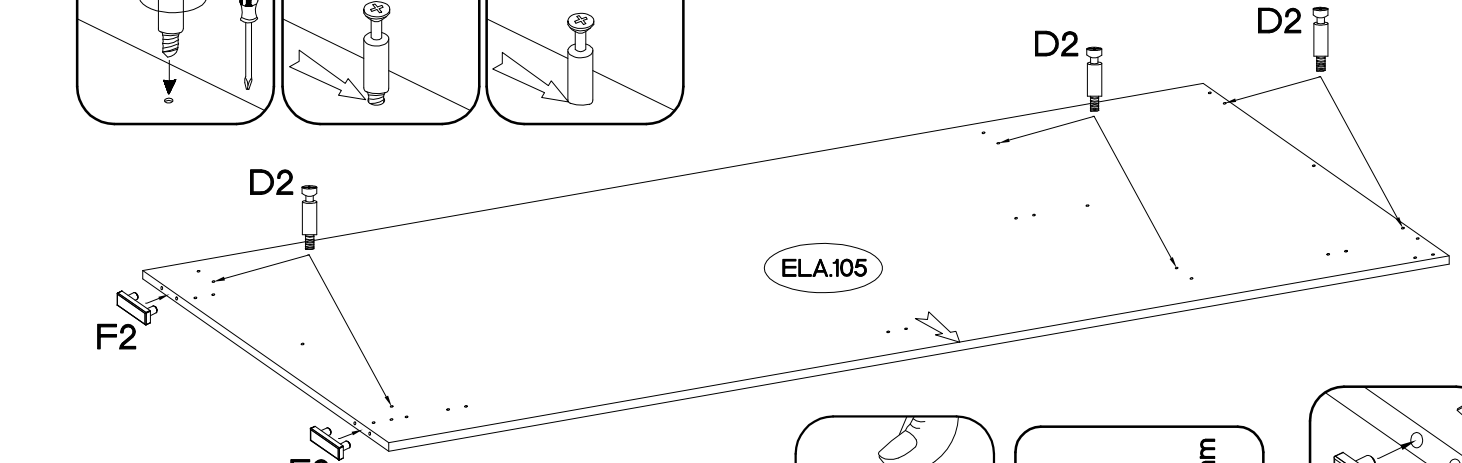
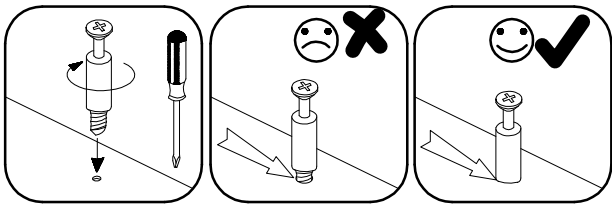
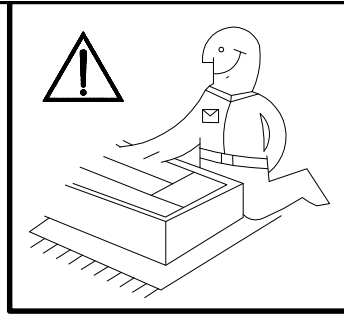


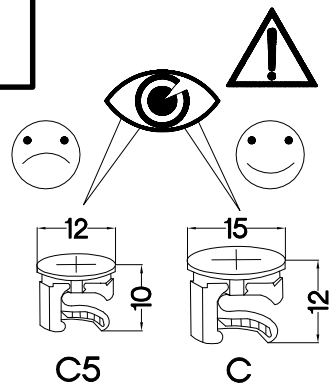
5

L=450 mm  K34 2	+3.5x13mm  P5 4
---	---

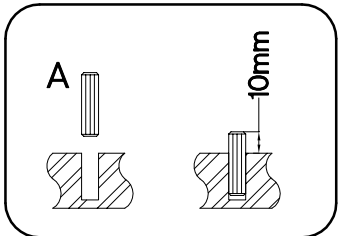
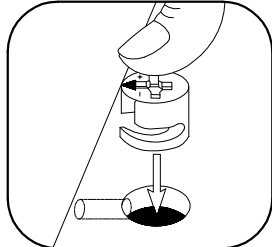
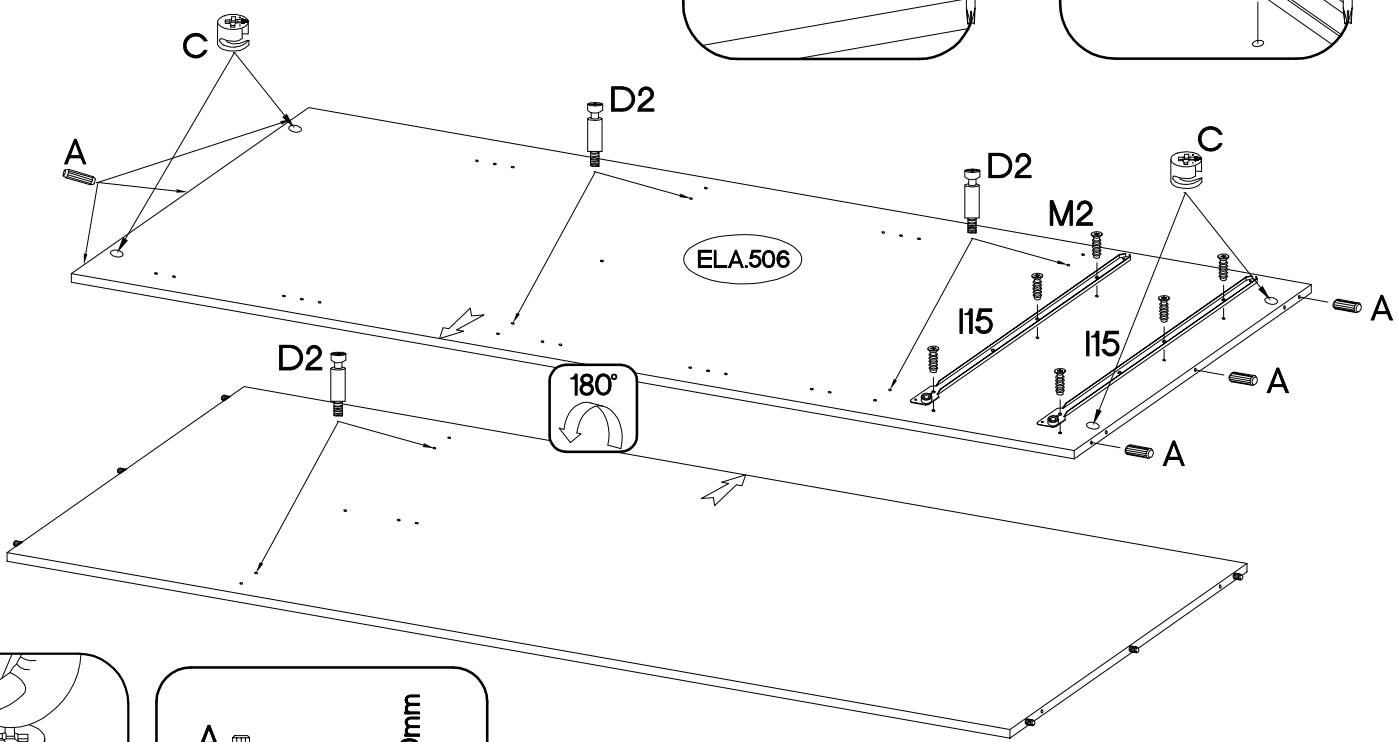
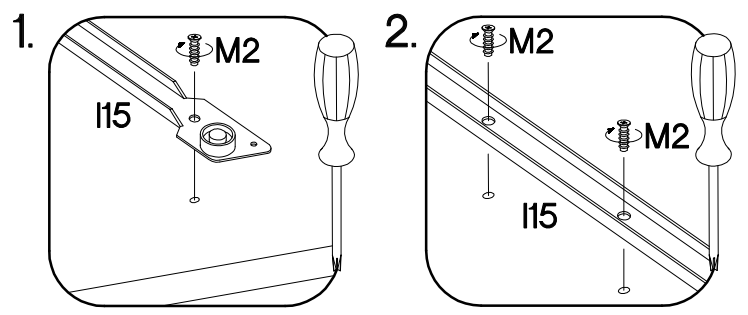
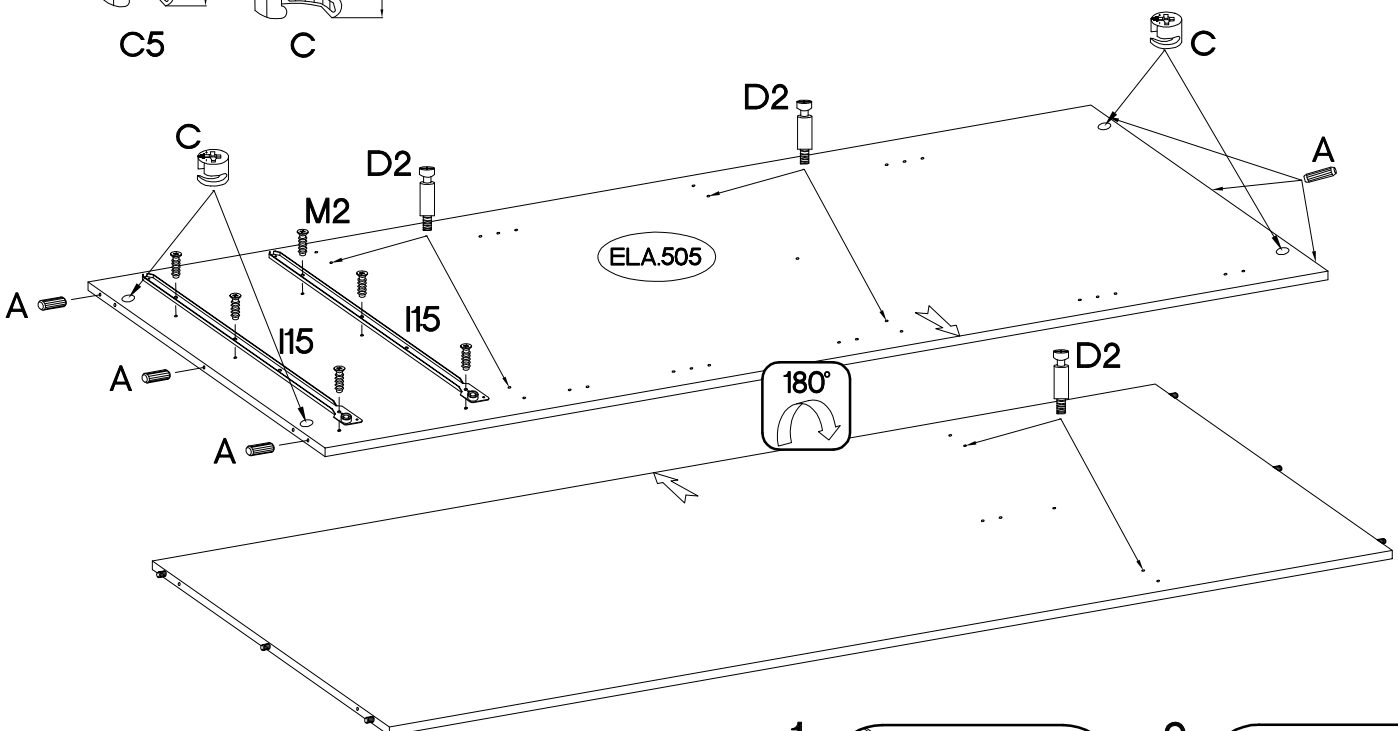
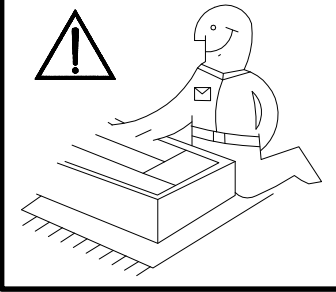


L=20mm  D2 12	6.5x48x16  F2 4	±8x30mm  A 24	±15/12mm  C 16	 L33 1	±3.5x13mm  P5 2
------------------------	--------------------------	------------------------	-------------------------	--------------	--------------------------

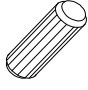
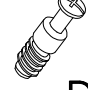

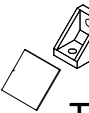




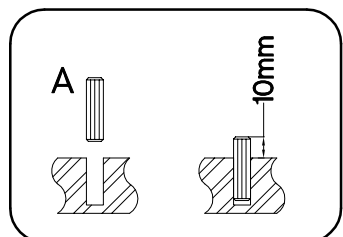
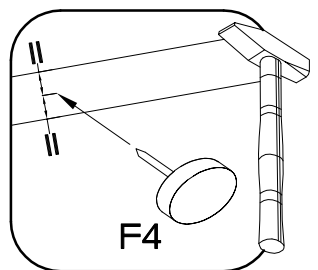
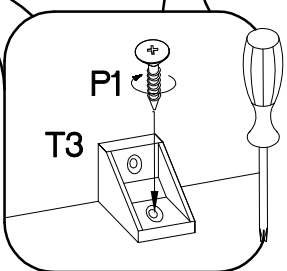
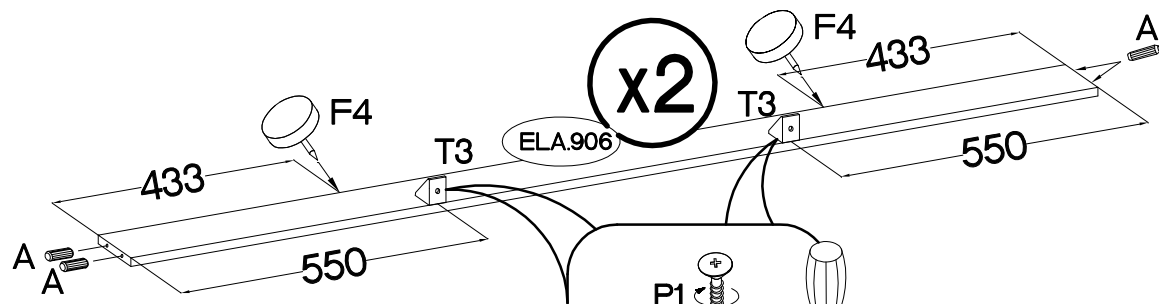
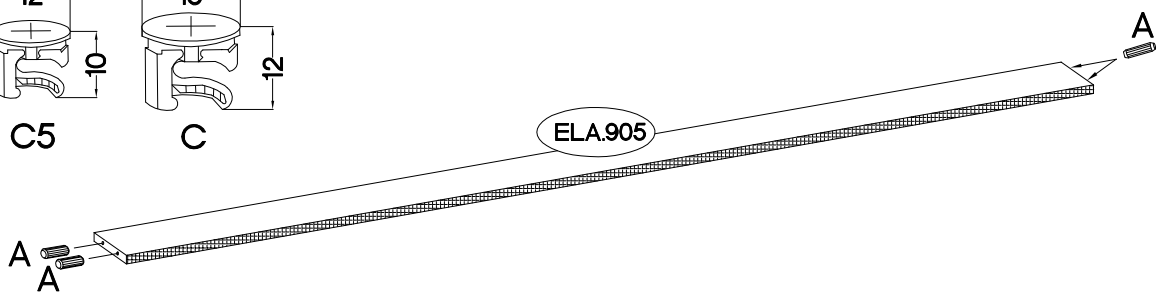
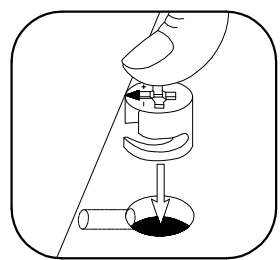
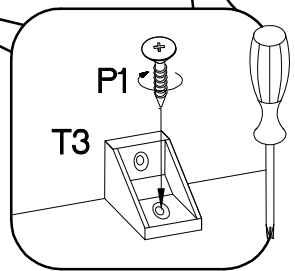
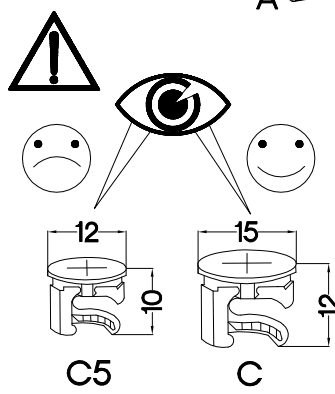
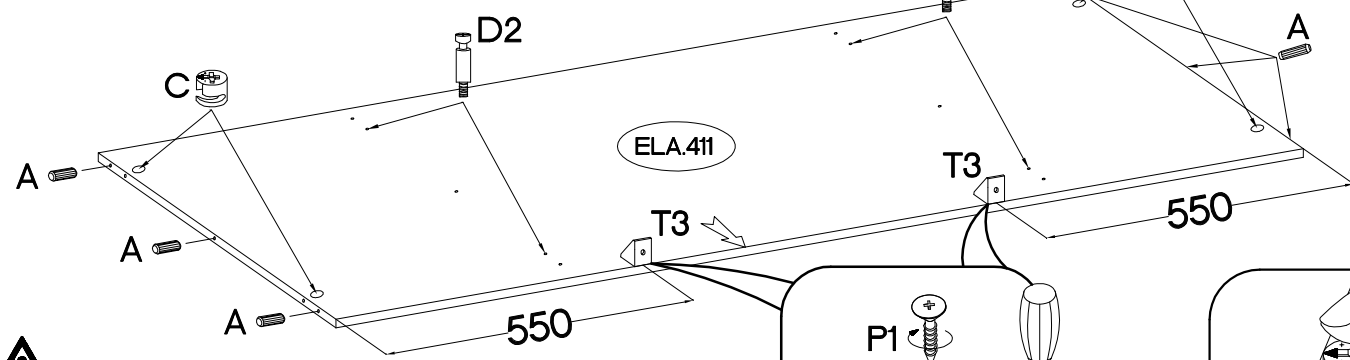
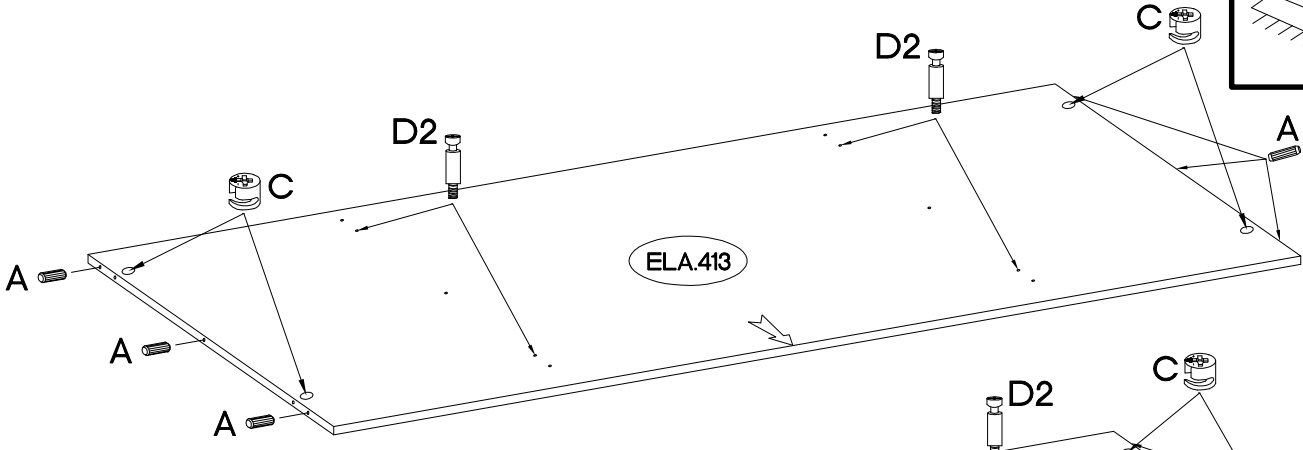
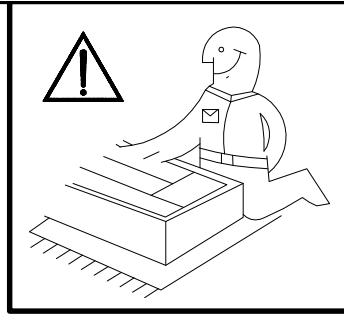


L=450mm 	+6,3x13mm 	+8x30mm 	+15/12mm 	L=20mm 
I15 2	M2 12	A 12	C 8	D2 12

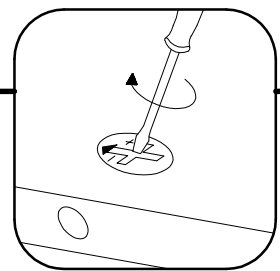
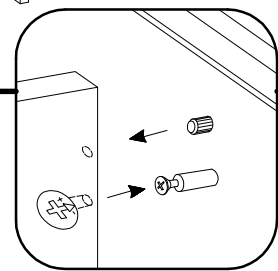
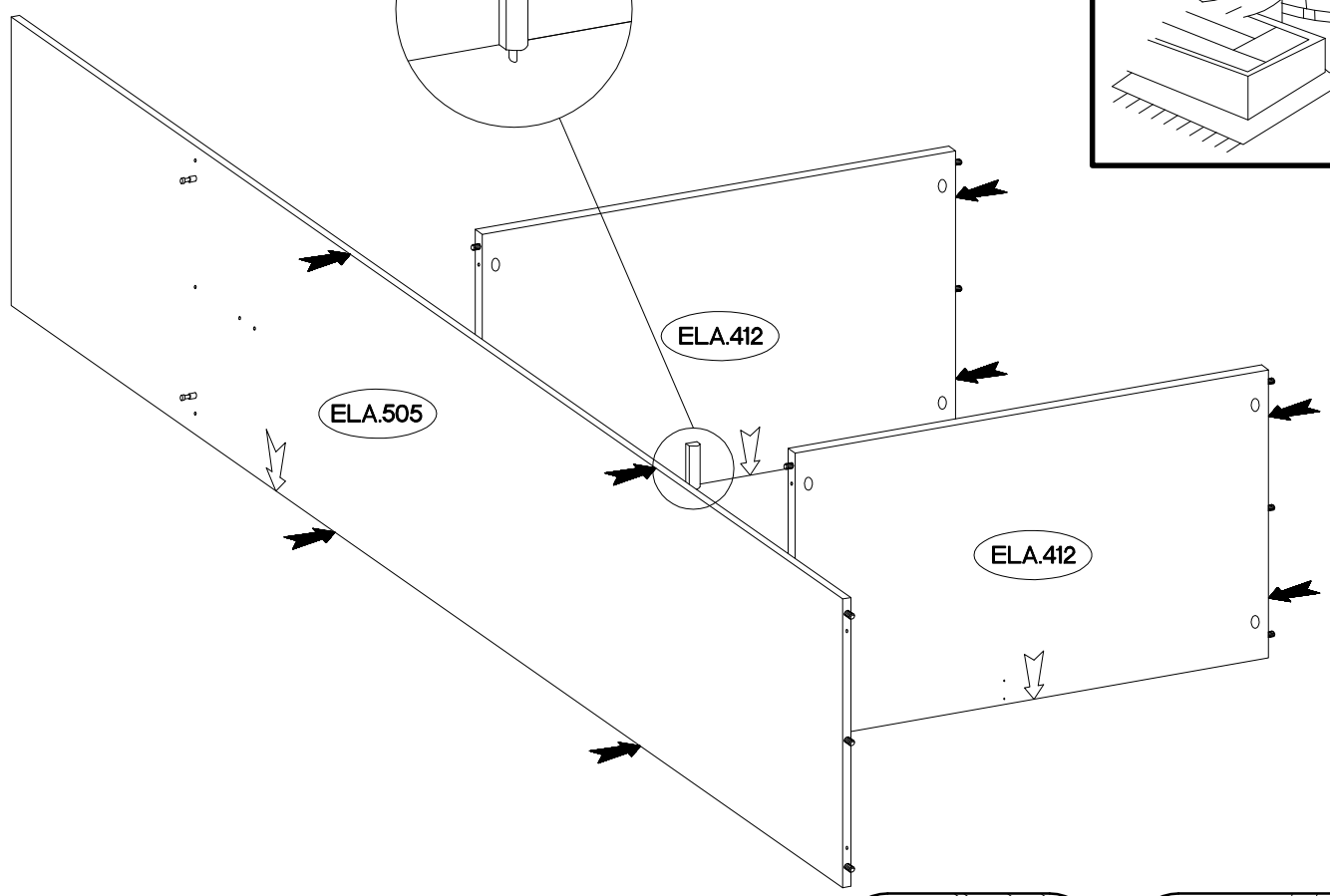
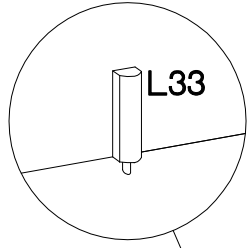
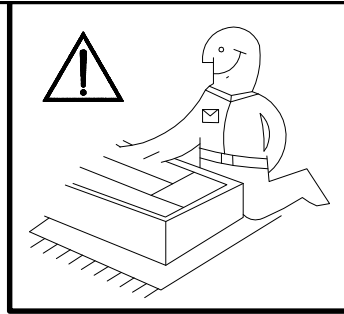




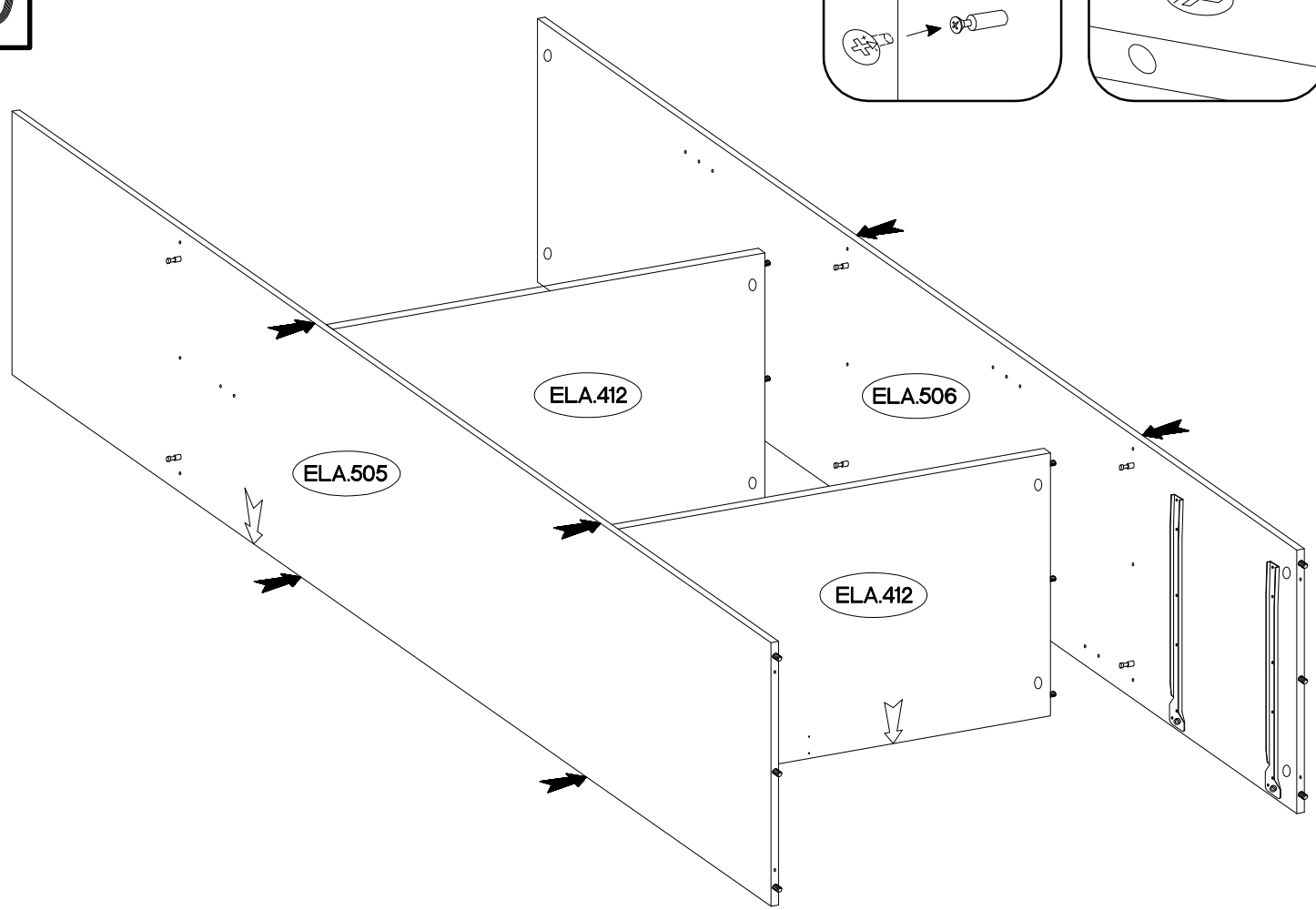
$\varnothing 8 \times 30 \text{mm}$  A 24	L=20mm  D2 8	$\varnothing 15/12 \text{mm}$  C 8	 T3 6	$\varnothing 4.0 \times 16 \text{mm}$  P1 6	$\varnothing 15 \times 5 \text{mm}$  F4 4
--	---	---	---	--	--



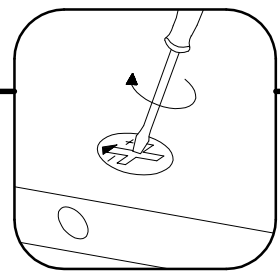
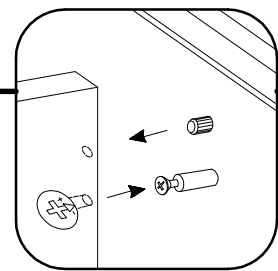
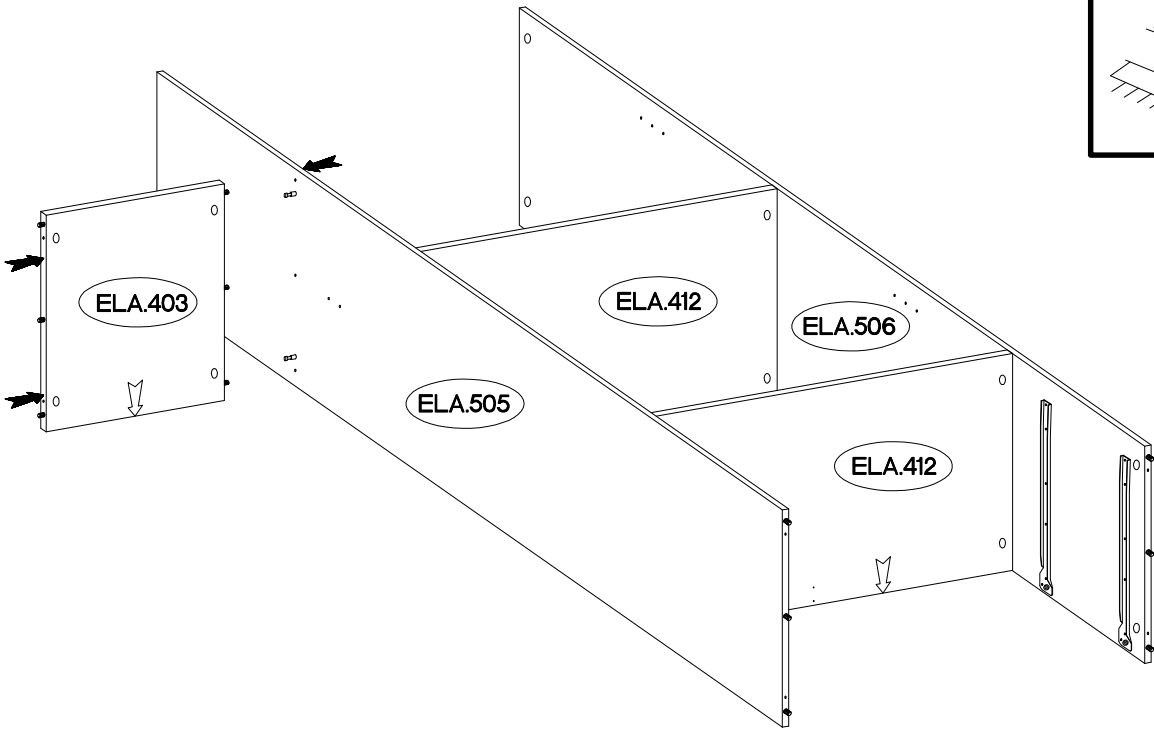
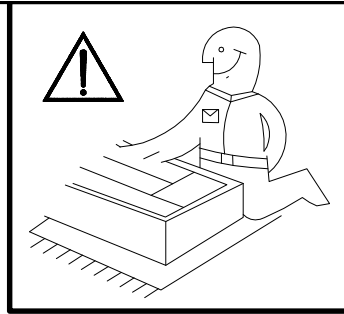
9



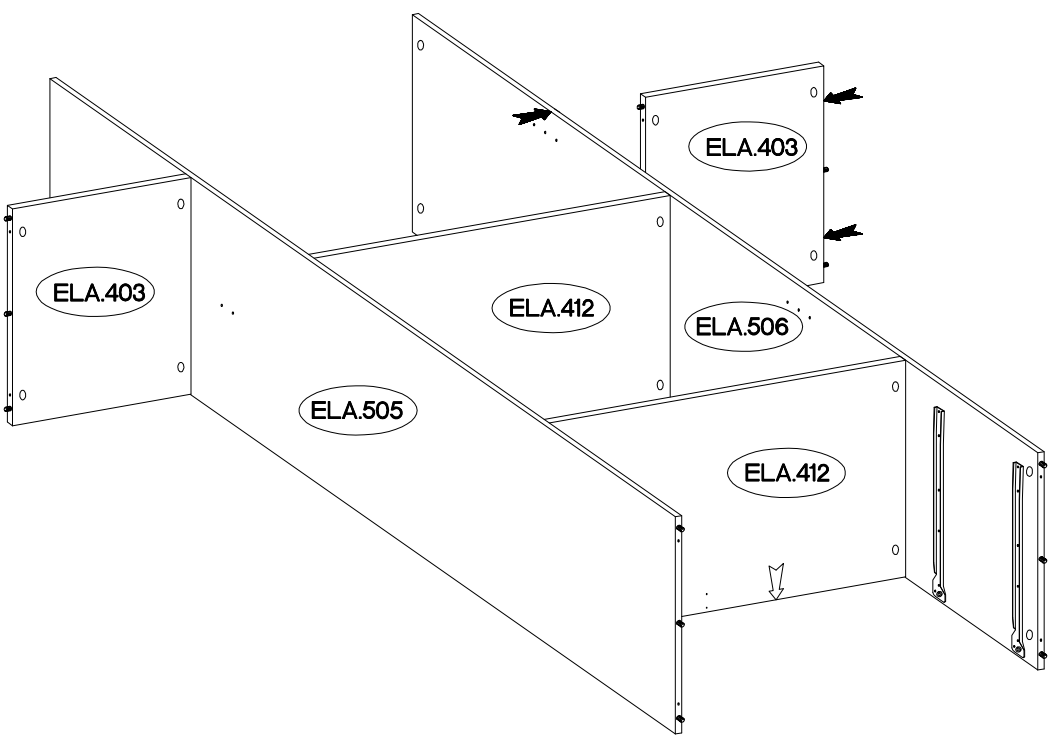
10



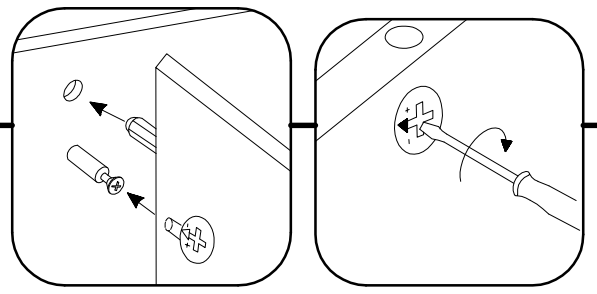
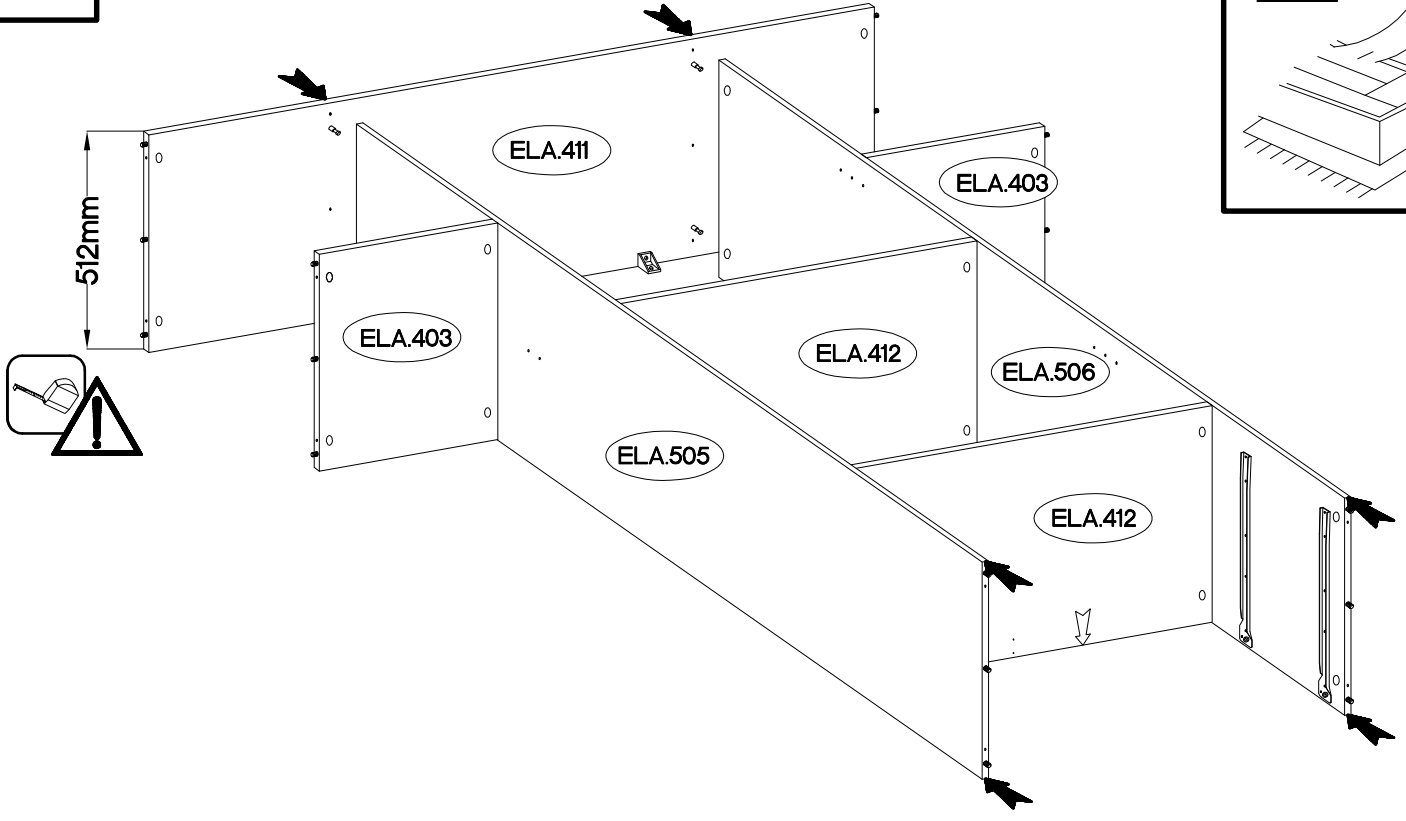
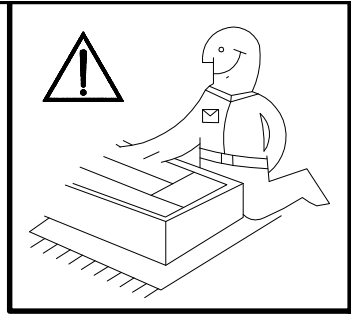
11



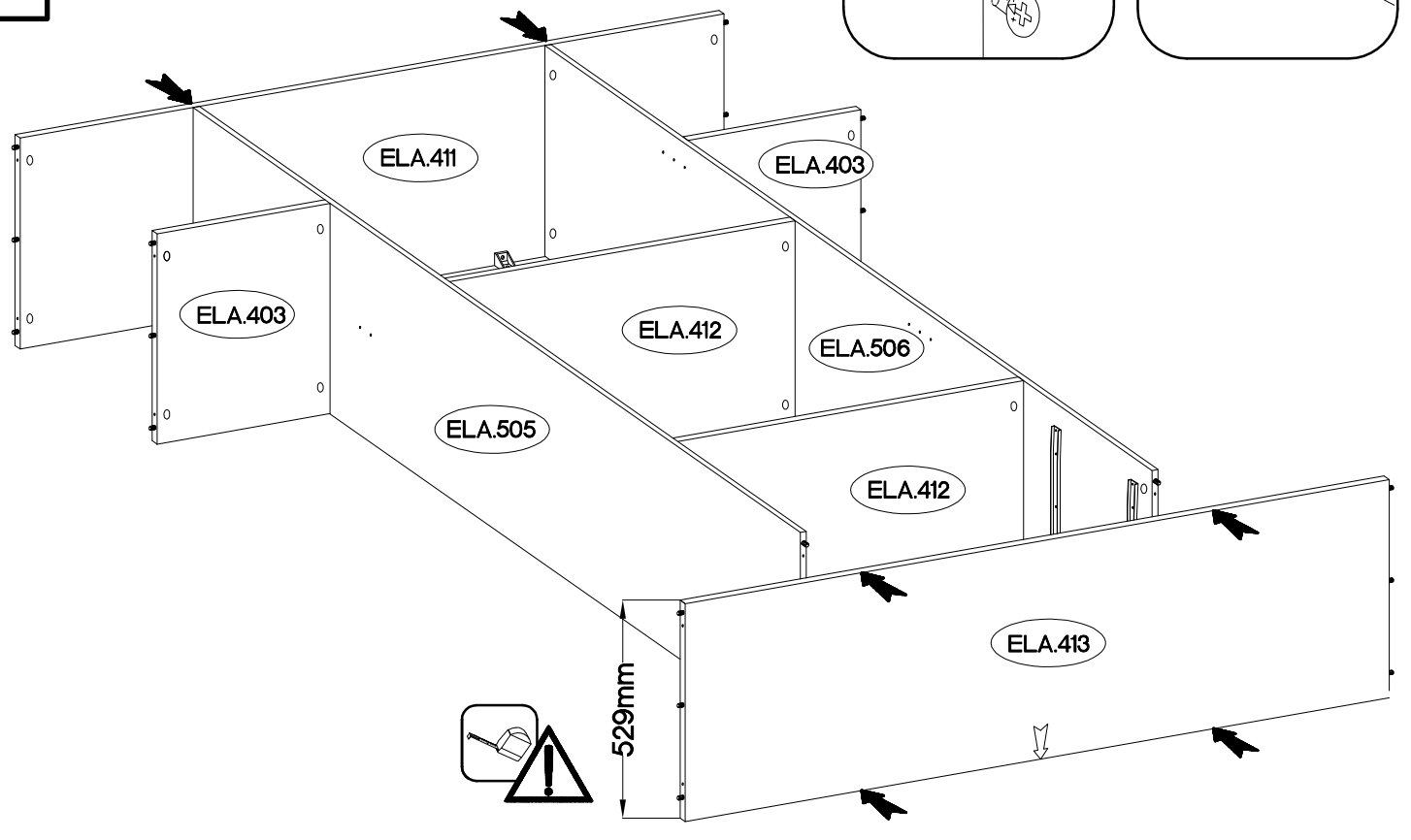
12



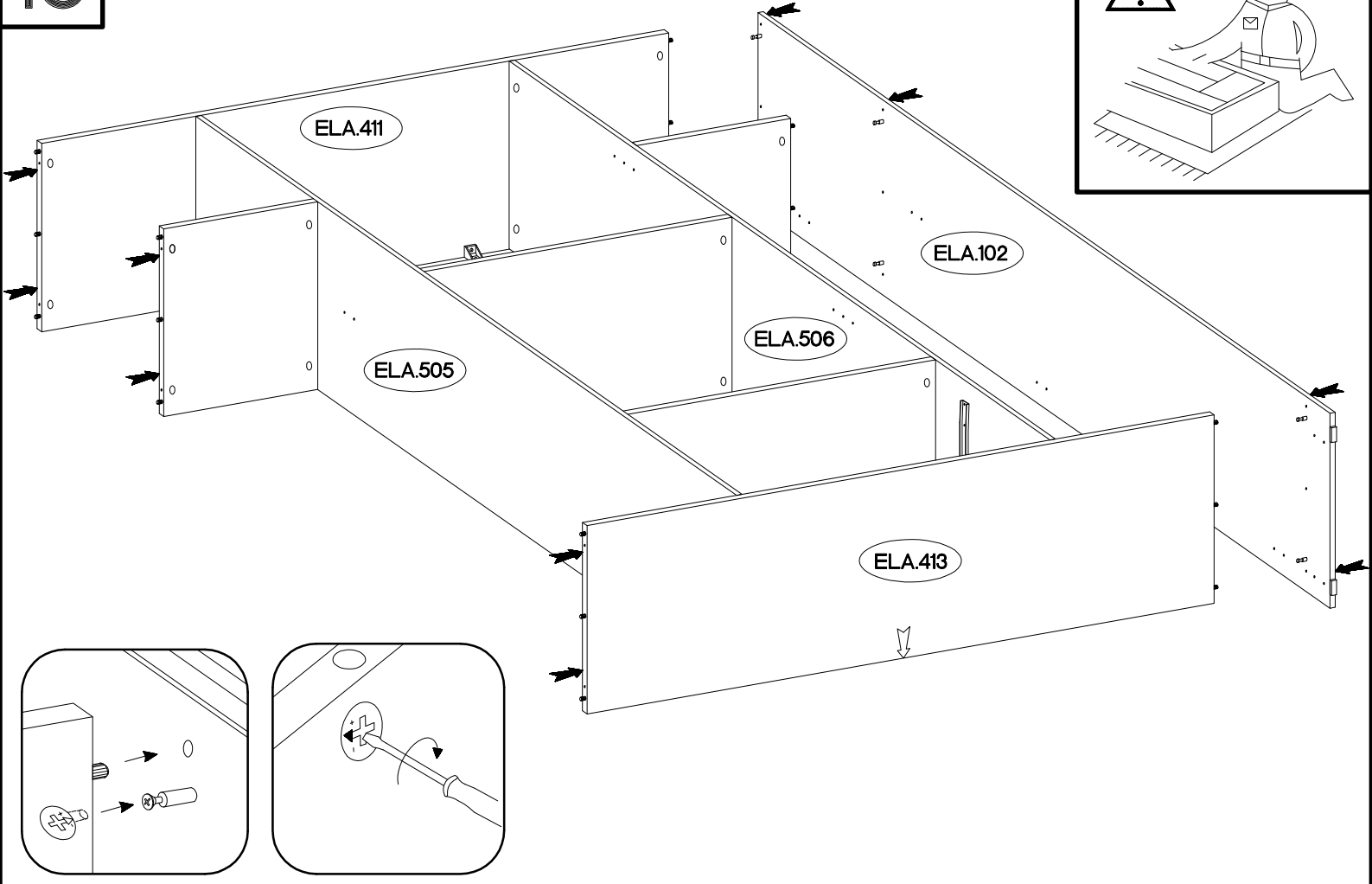
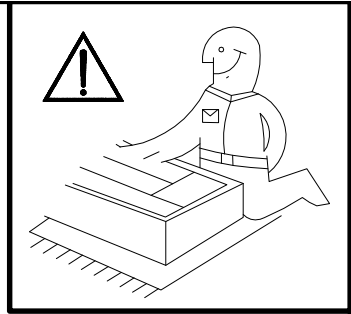
13



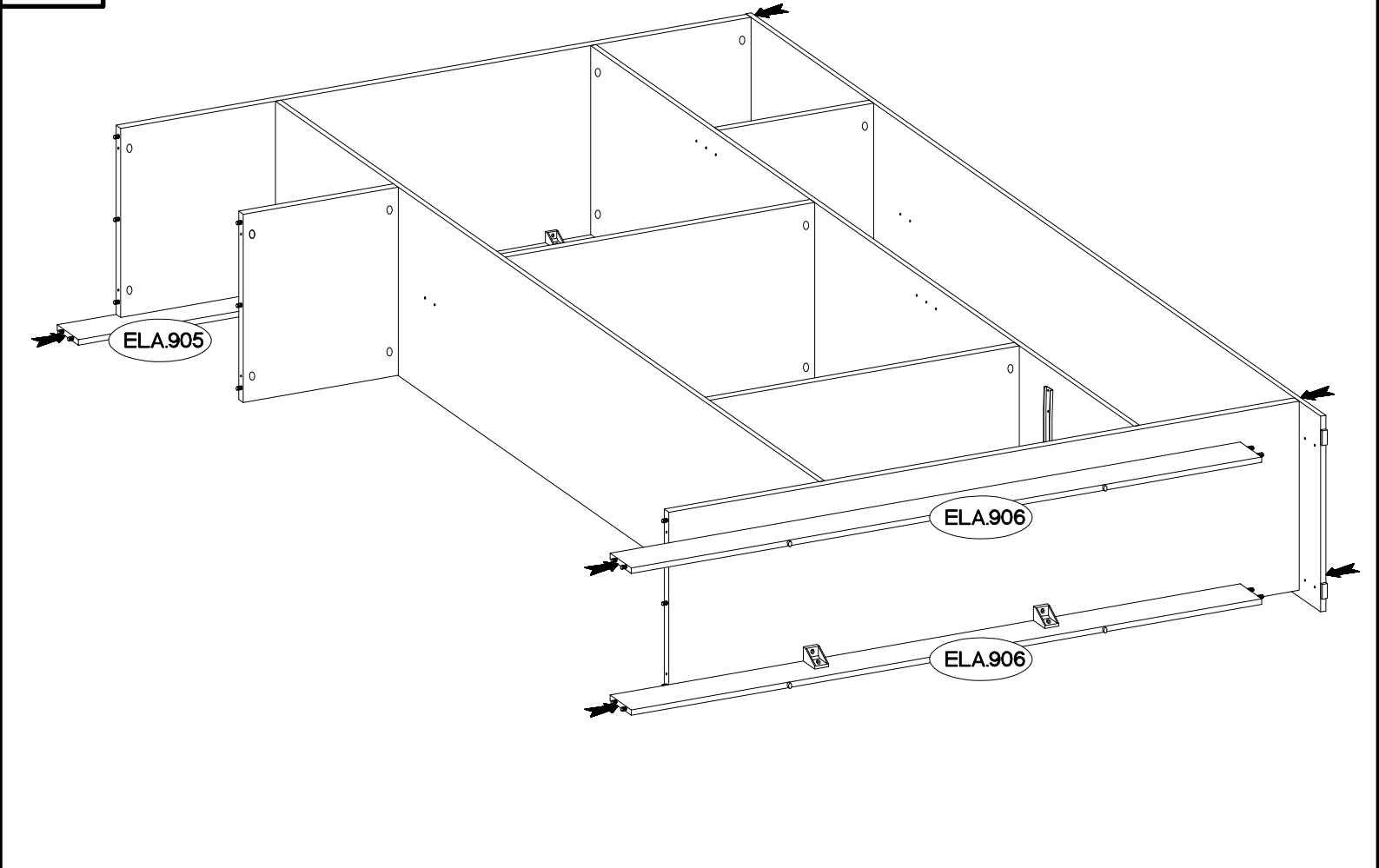
14



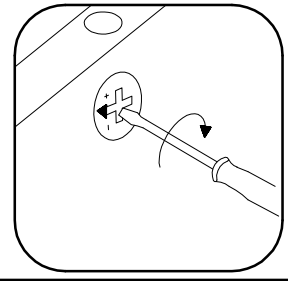
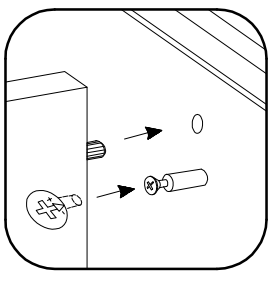
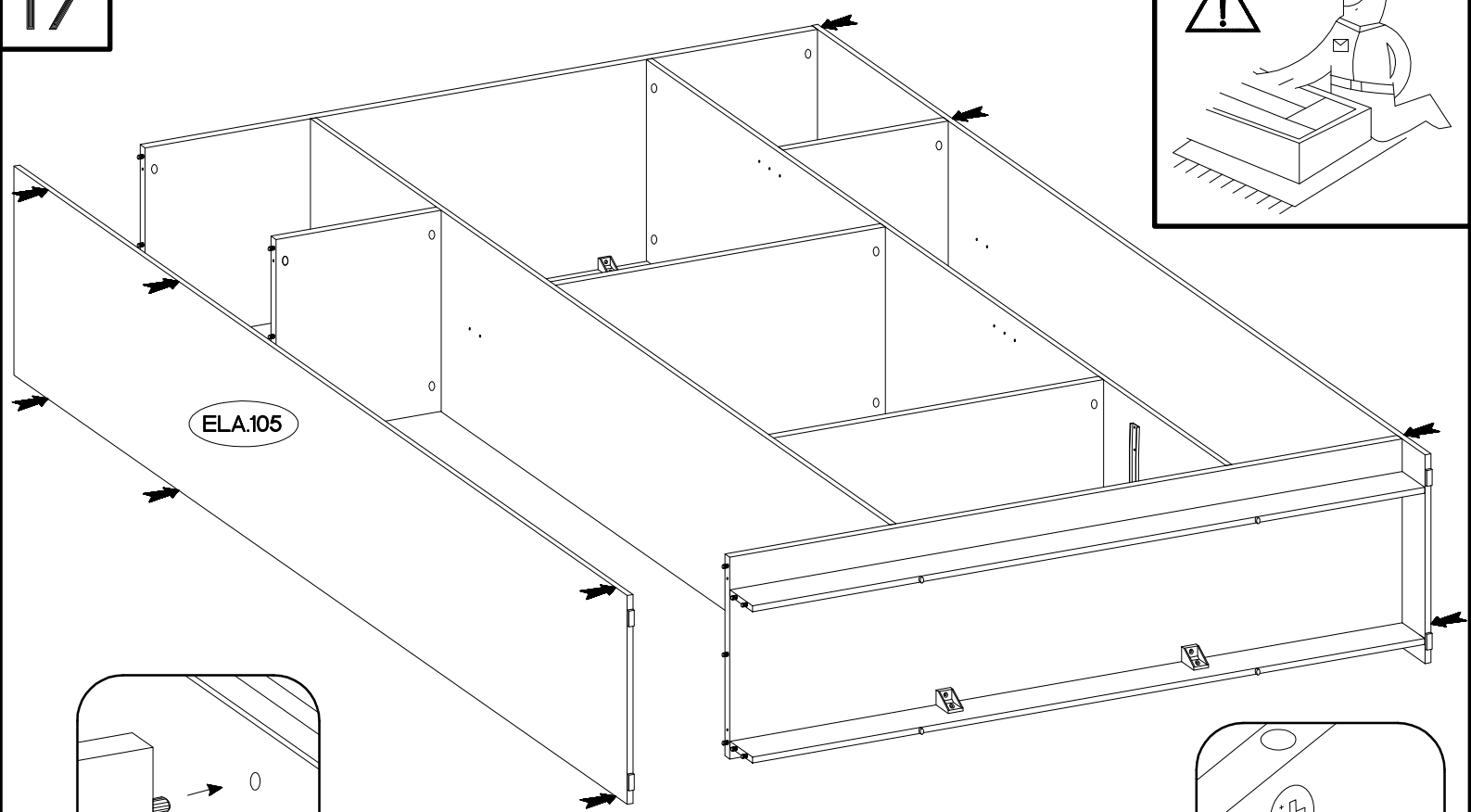
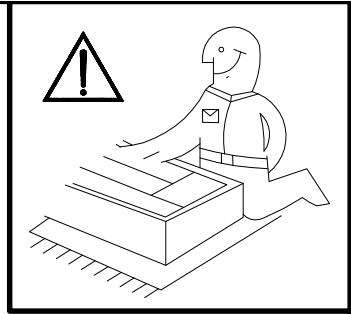
15



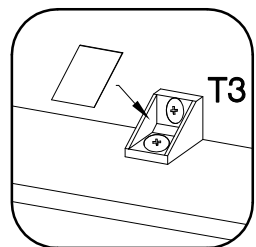
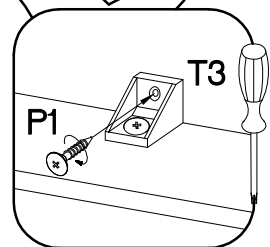
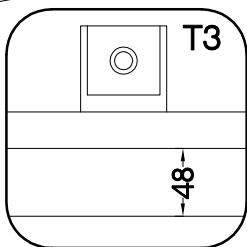
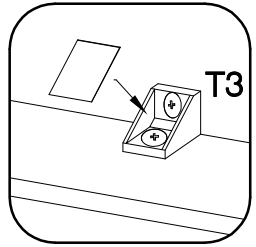
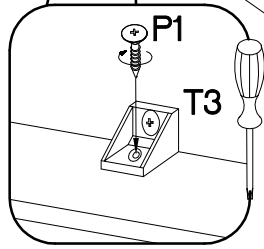
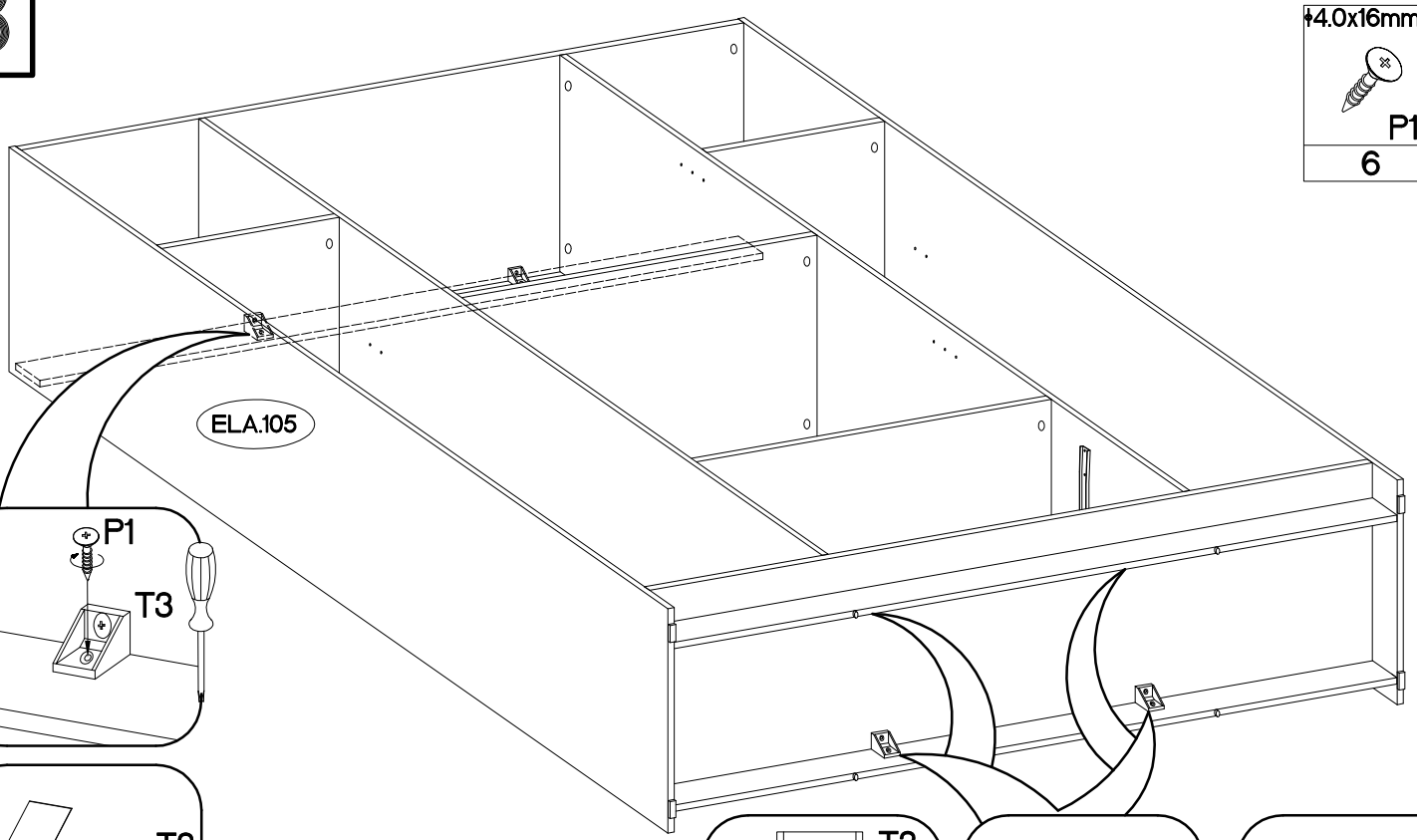
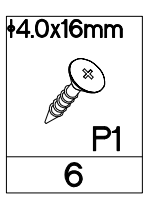
16


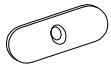


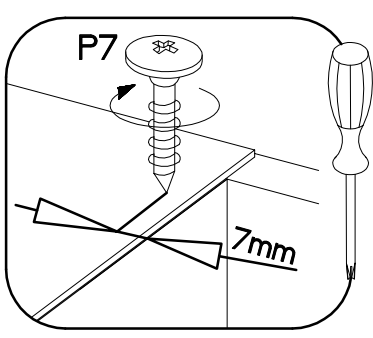
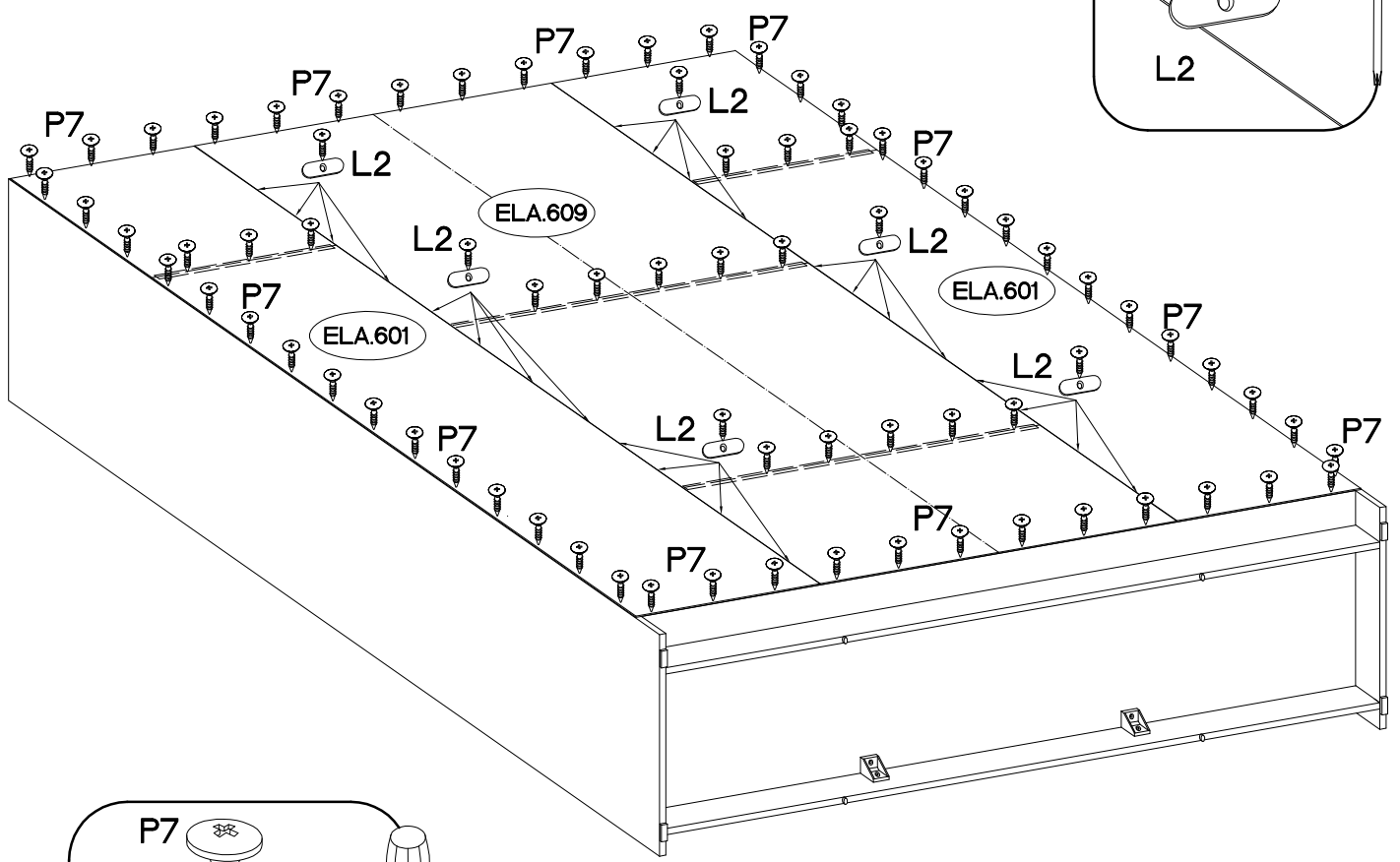
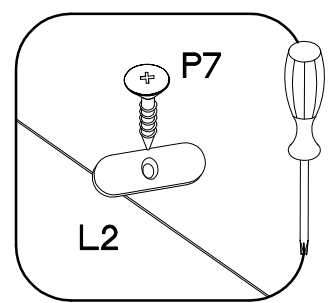
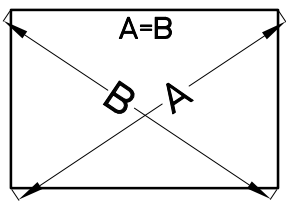
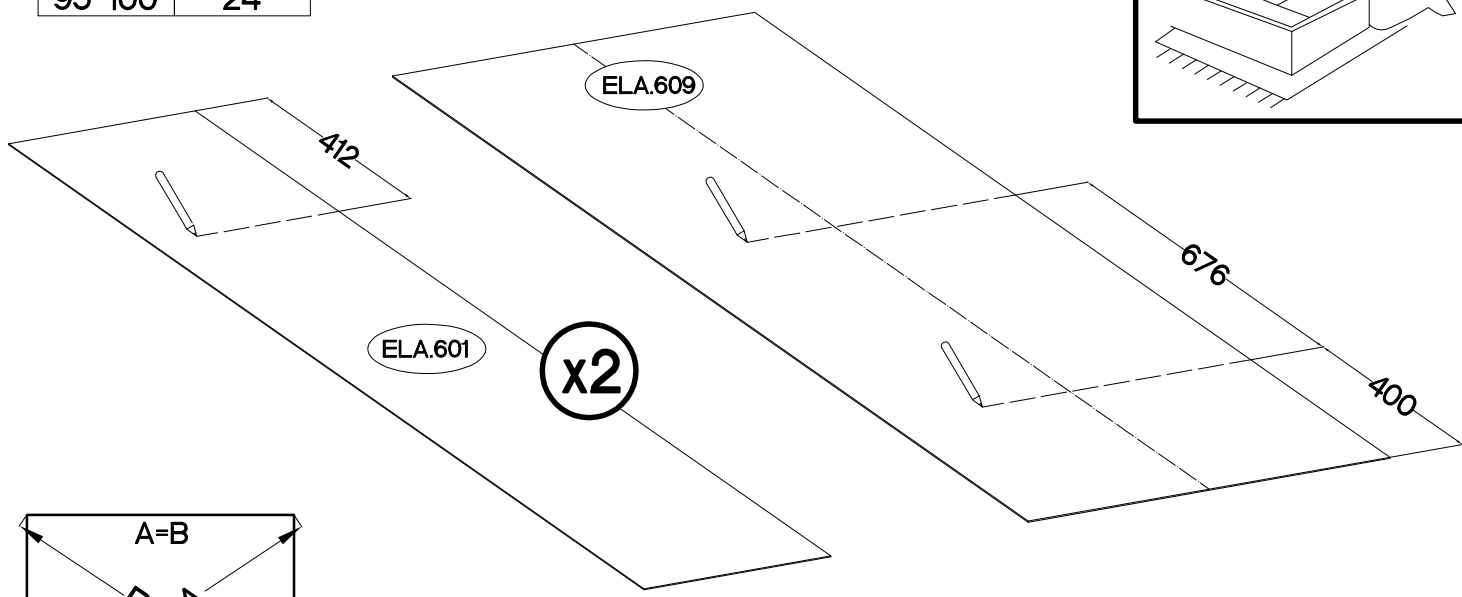
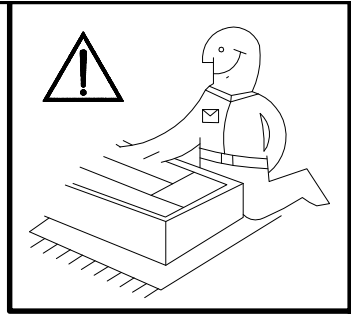
17

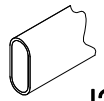





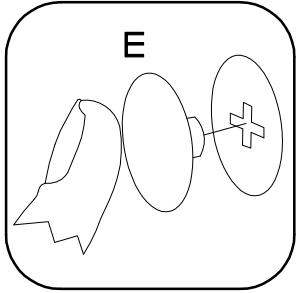
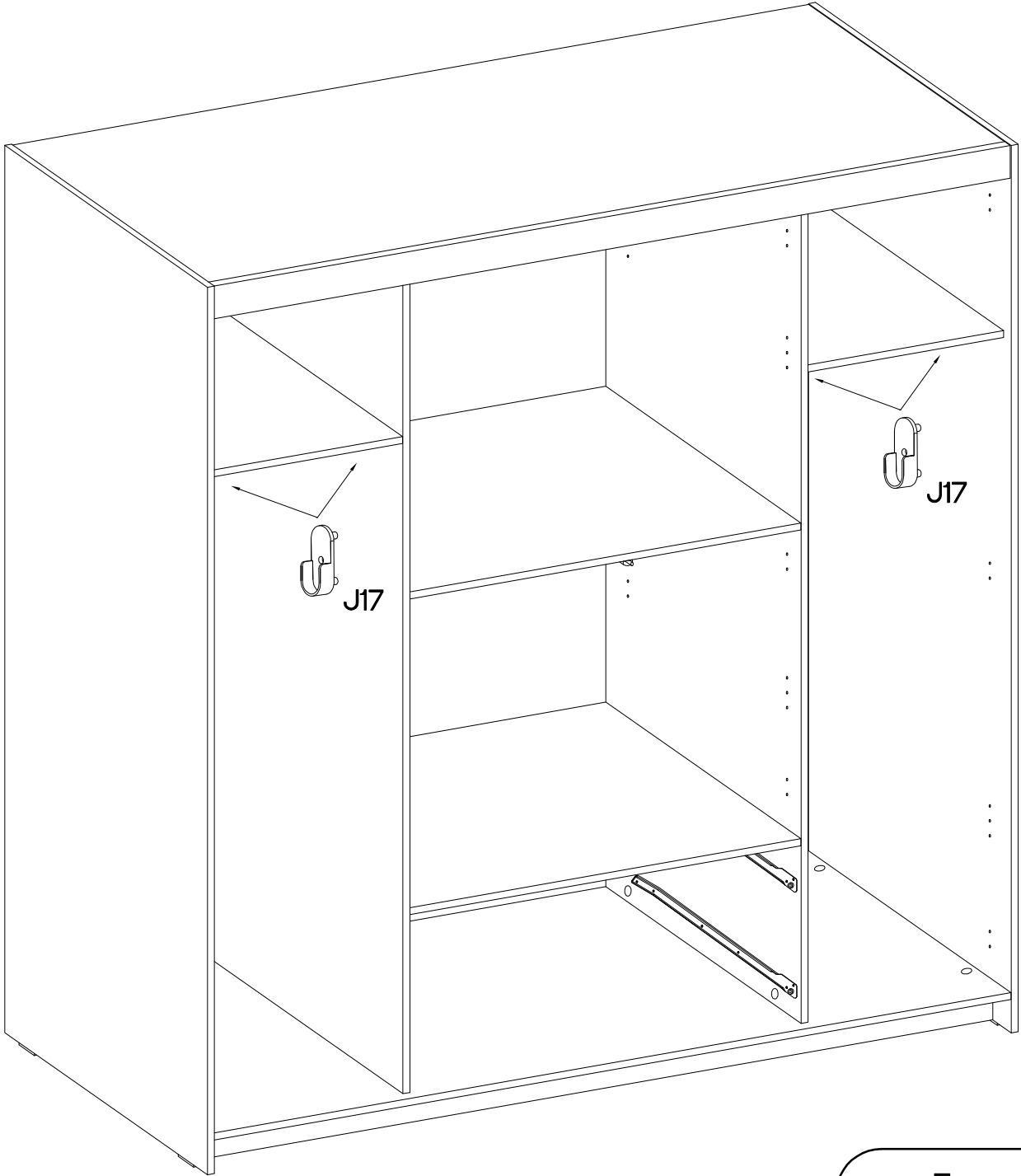
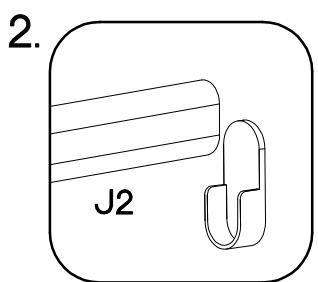
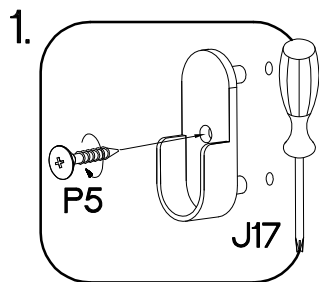
18



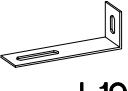



±3.0x20mm  P7 95-100	 L2 24
---	--

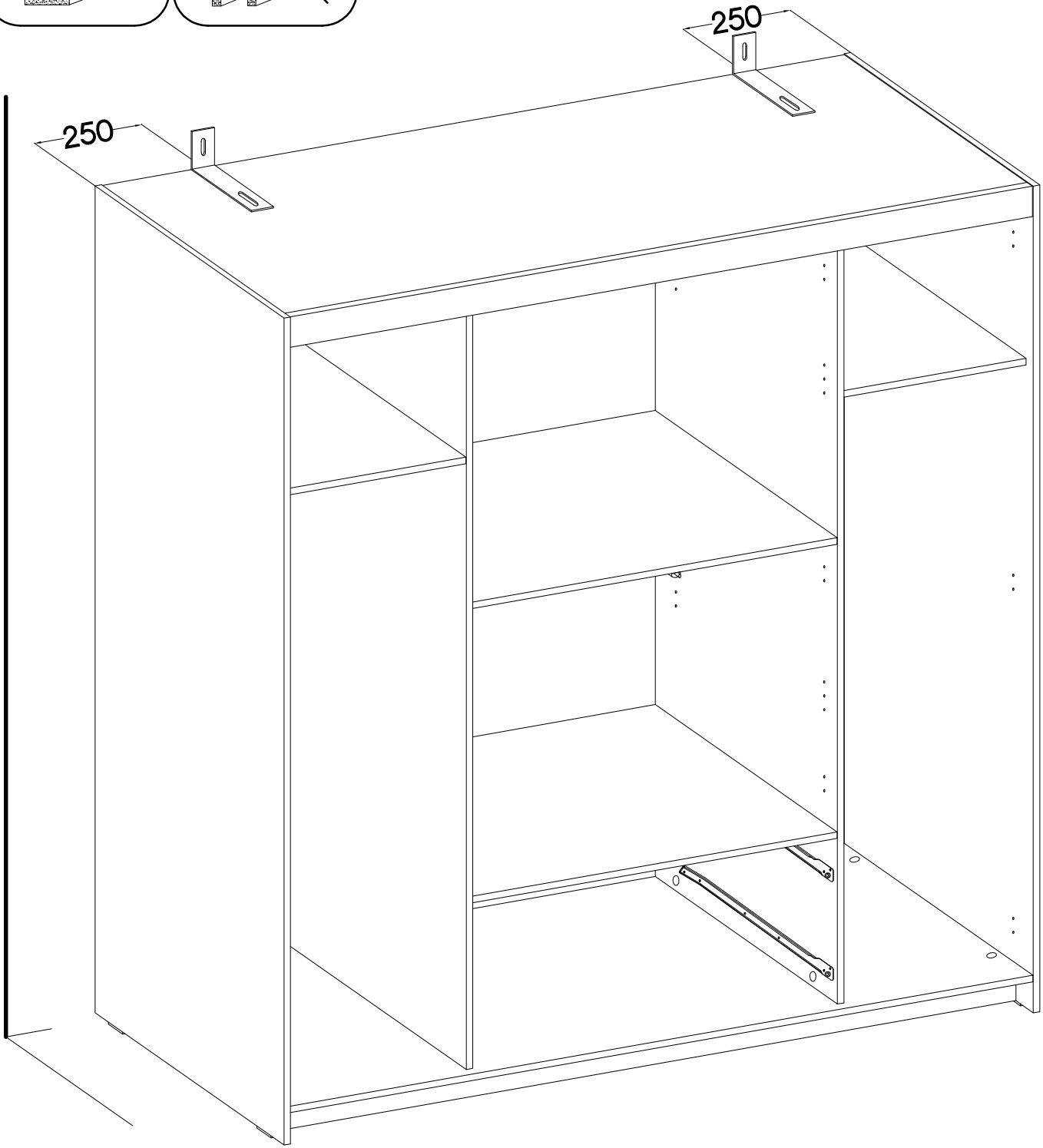
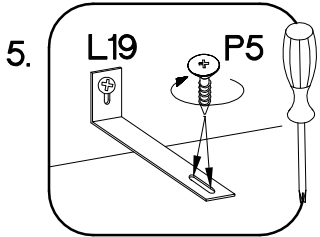
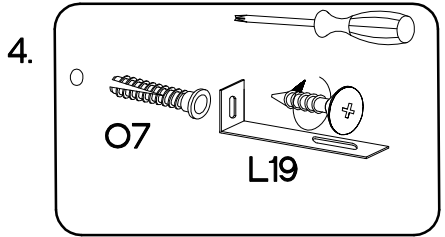
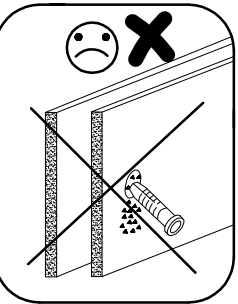
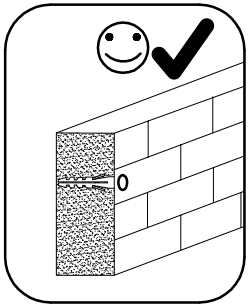
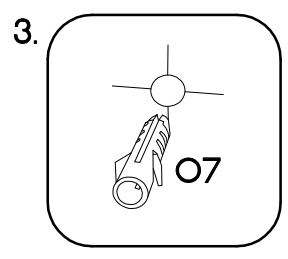
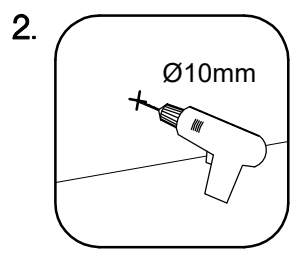
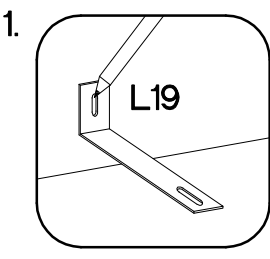


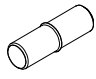
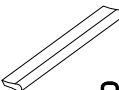

L=418mm  J2	 J17	φ3.5x13mm  P5	 E
2	4	4	28

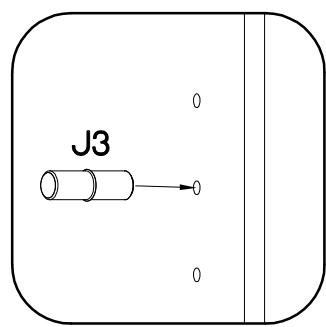
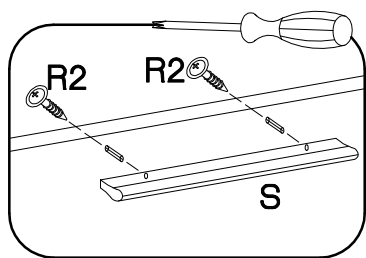
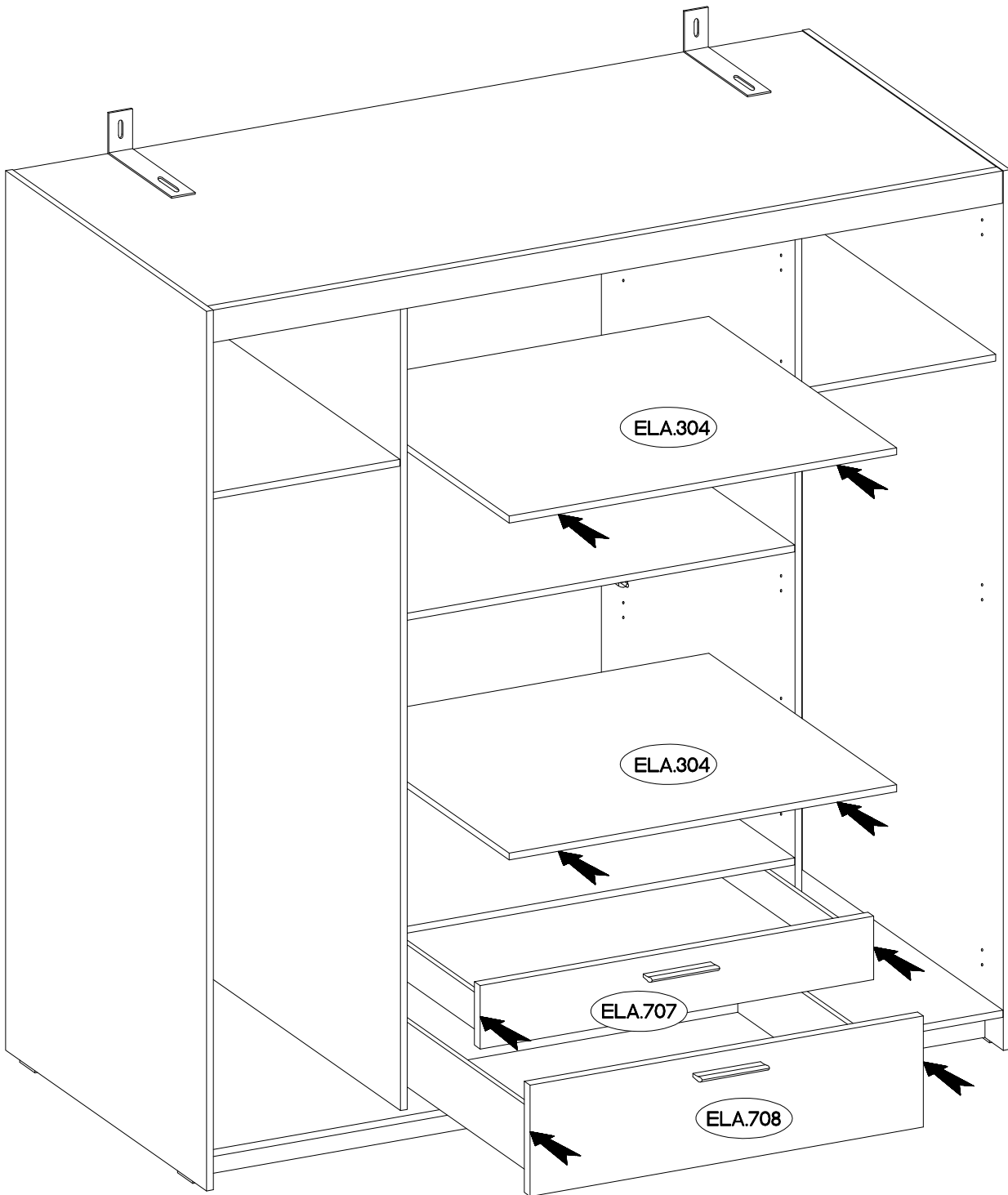


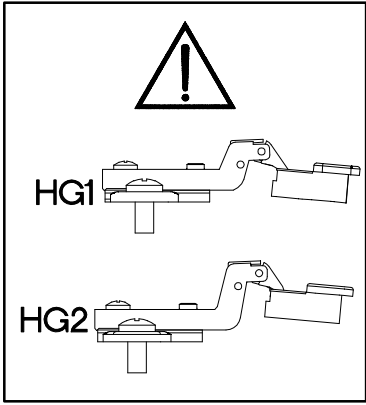


	†3.5x13mm	†5.0x60mm	†10x50mm
			
L19	P5	P12	O7
2	4	2	2

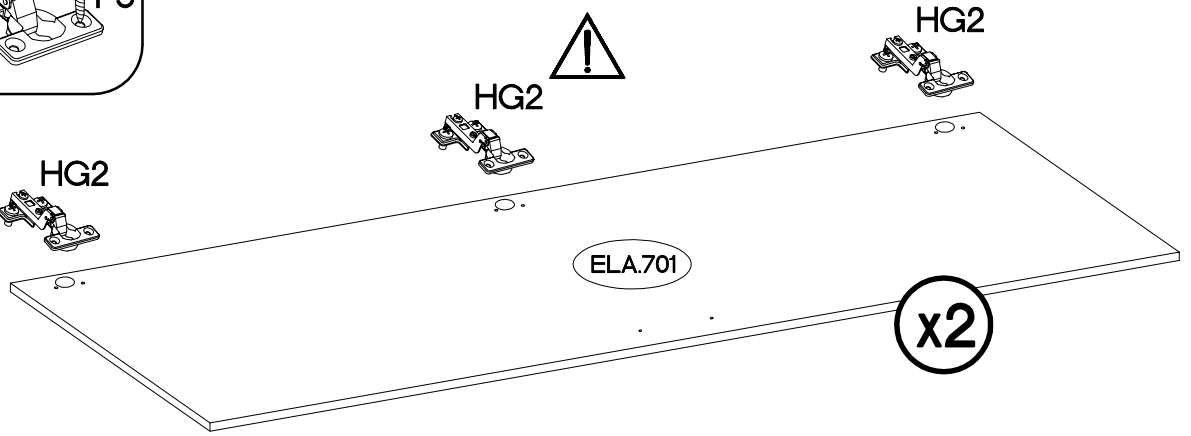
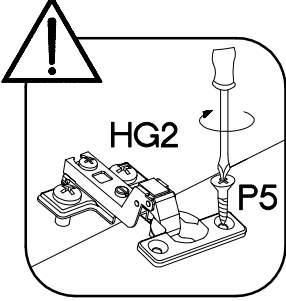
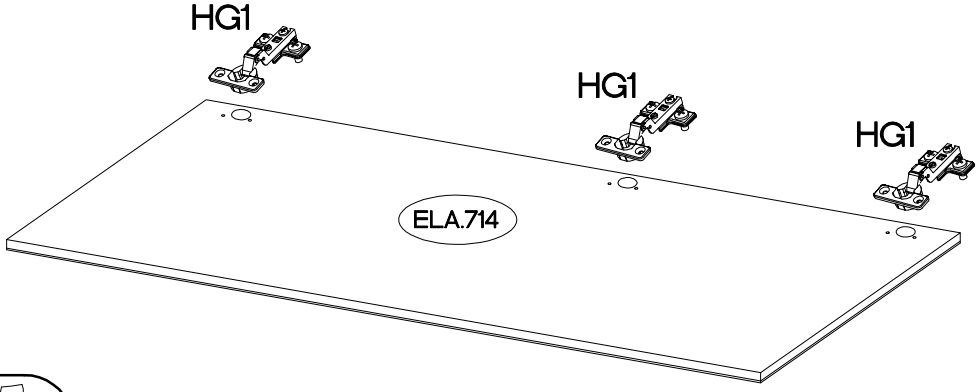
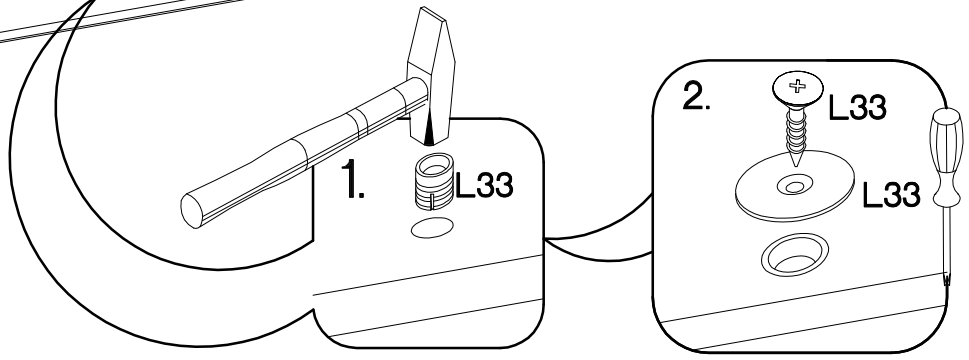
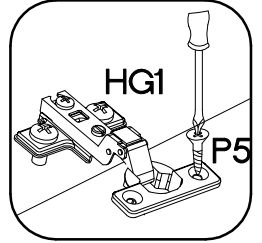
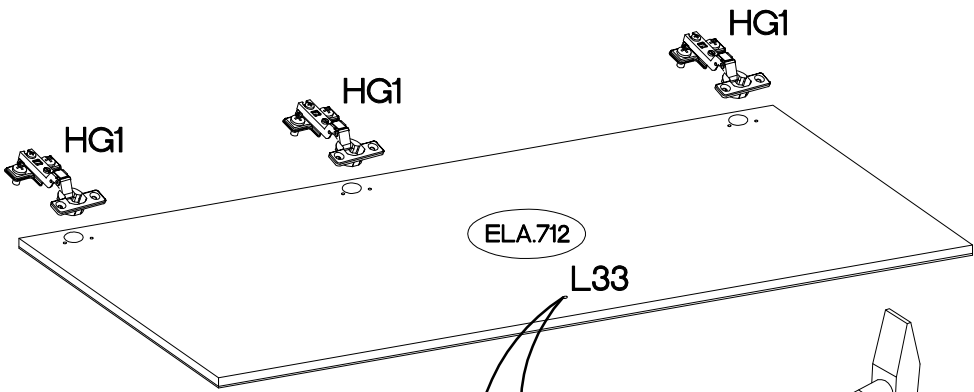
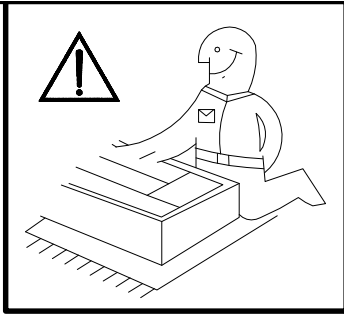


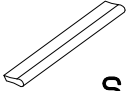

$\pm 5/16\text{mm}$  J3 8	L=128mm  S 2	$\pm 4.0 \times 30\text{mm}$  R2 4
--	---	---





+35/9mm H=0 HG1 6	+35/16mm HG2 6	+3.5x13mm P5 24	L33 1
----------------------------	----------------------	-----------------------	----------



L=128mm	4.0x30mm
	
S	R2
2	4

