
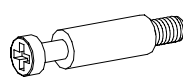


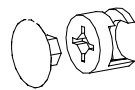

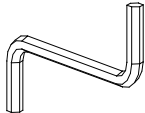


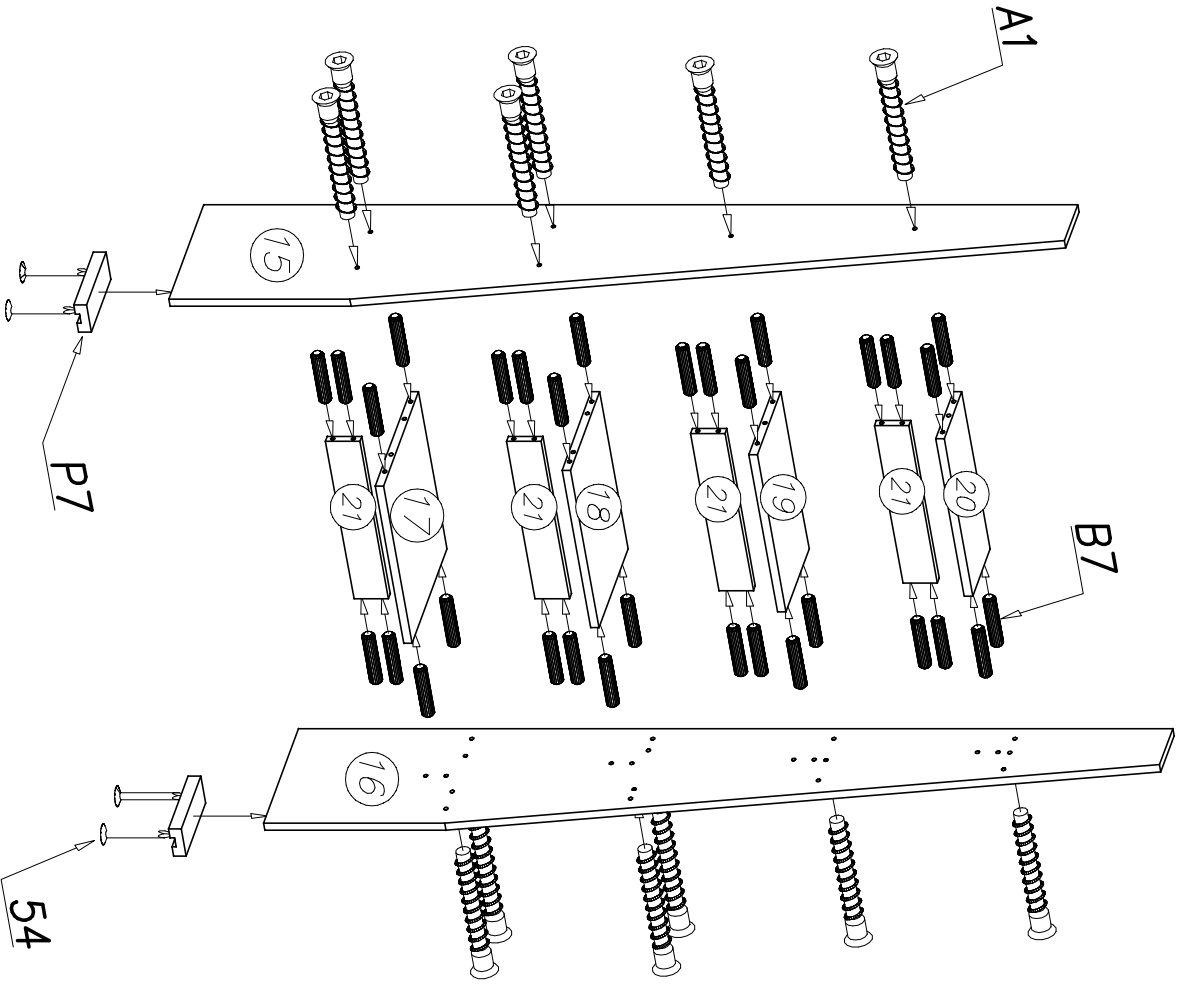
<p>A1</p>  <p>ø7x50 x24</p>	<p>K5</p>  <p>x2</p>			
<p>P7</p>  <p>x2</p>	<p>B7</p>  <p>ø8x30 x38</p>	<p>K1</p>  <p>ø15x12 x2</p>	<p>W4</p>  <p>x4</p>	<p>W2</p>  <p>4mm x1</p>

1

15	1650	300
16	1650	300
17	350	300

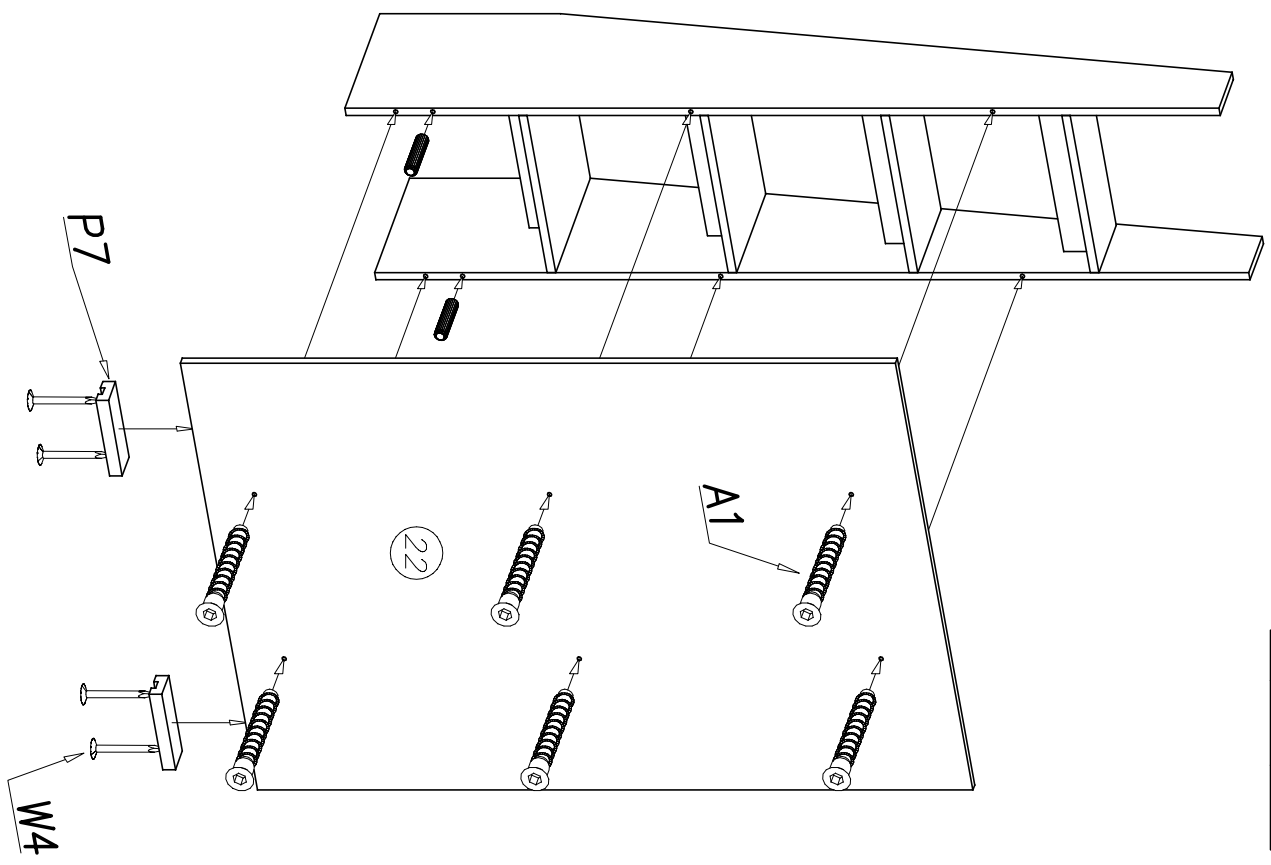
18	350	250
19	350	200

20	350	150
21	350	65



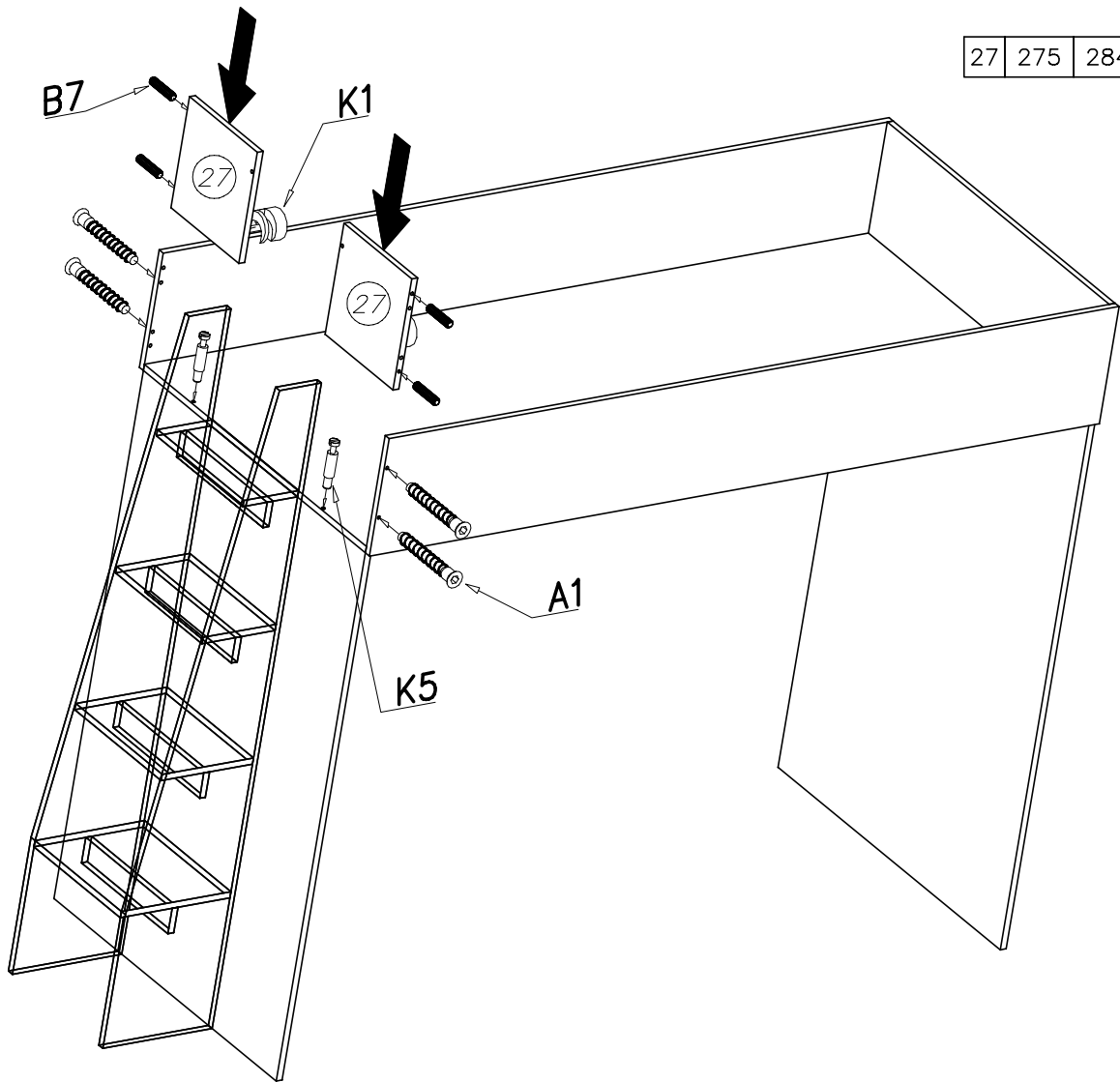
2

22	1350	950
----	------	-----



3

27	275	284
----	-----	-----



4

