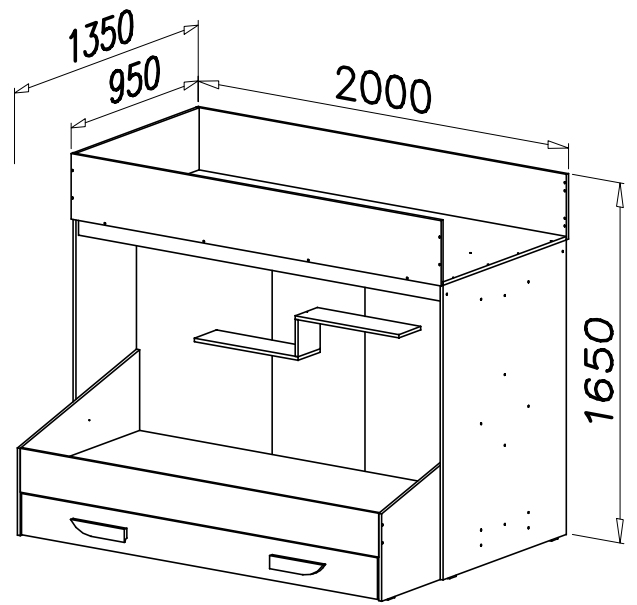
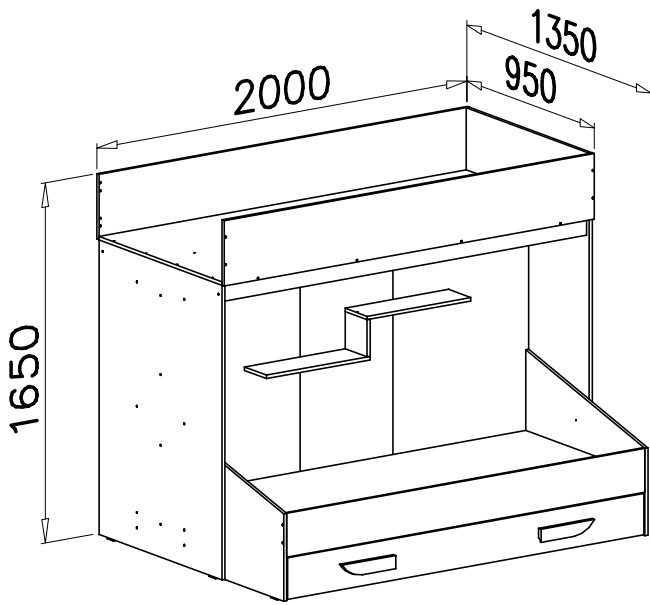

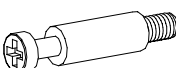
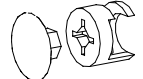
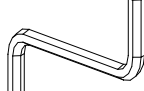
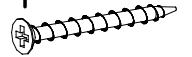
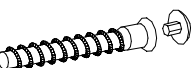
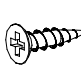
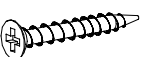
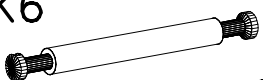
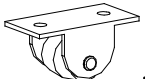

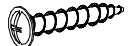
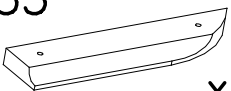
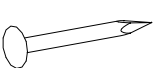



⑦ → ⑪

⑫ → ⑯

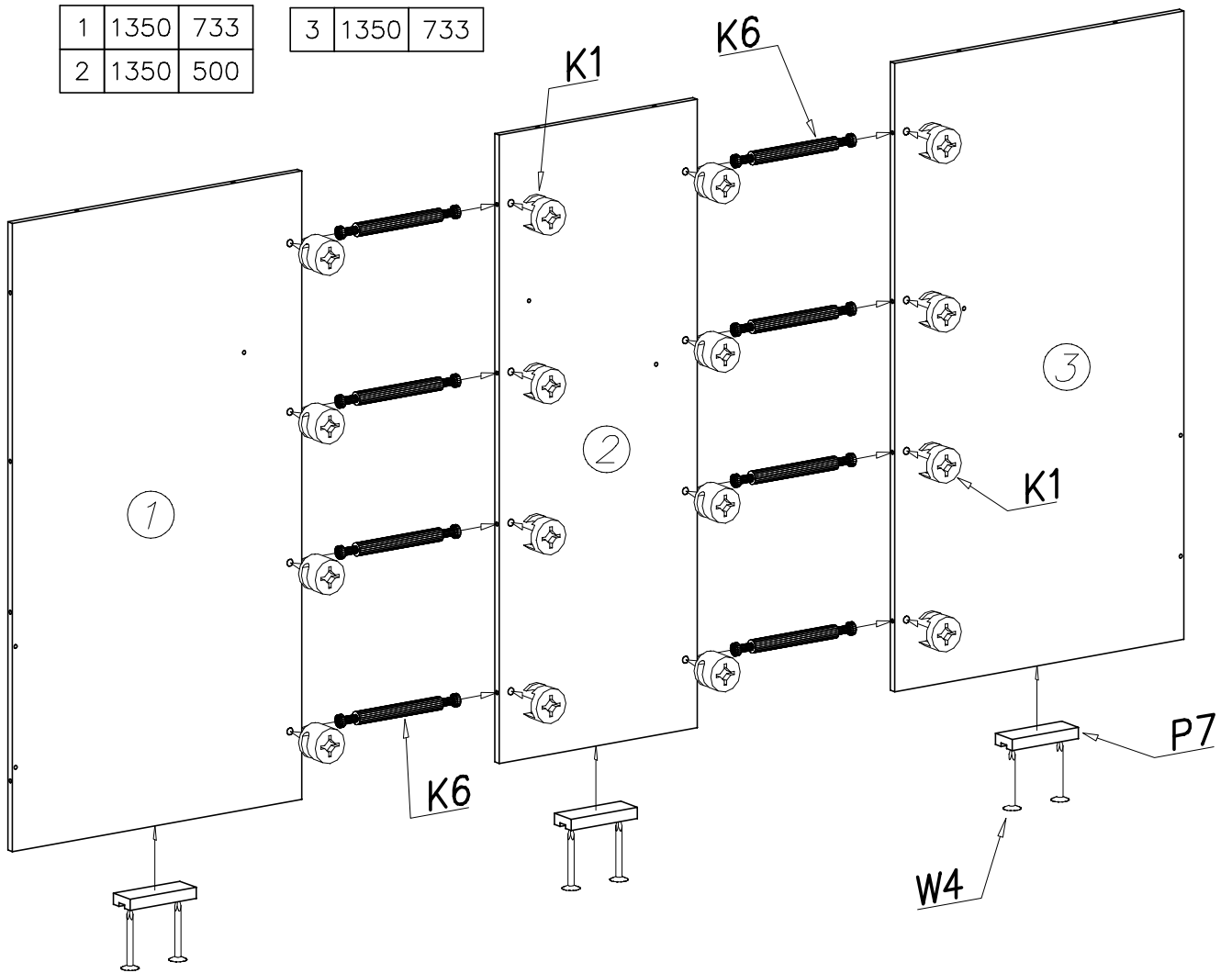


B7  ø8x30 x52	K5  ø15x12 x8	K1  ø15x12 x24	W2  4mm x1	G14  3,5x40 x4
A1  ø7x50 x70	G4  4x16 x12	G3  4x30 x4	K6  ø15x12 x8	P24  3x40 x6
P7  2x11 x11	G16  4x25 x4	E33  2x30 x2	W4  4x22 x22	G9  5x40 x12

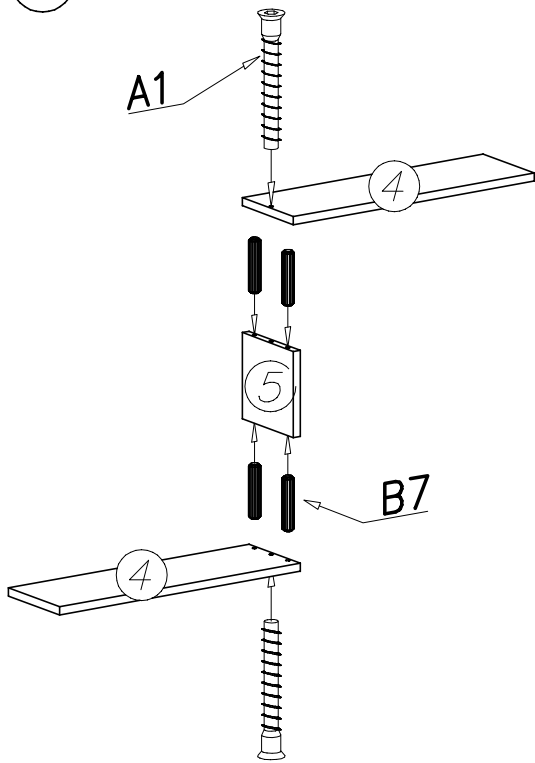
1

1	1350	733
2	1350	500

3	1350	733
---	------	-----

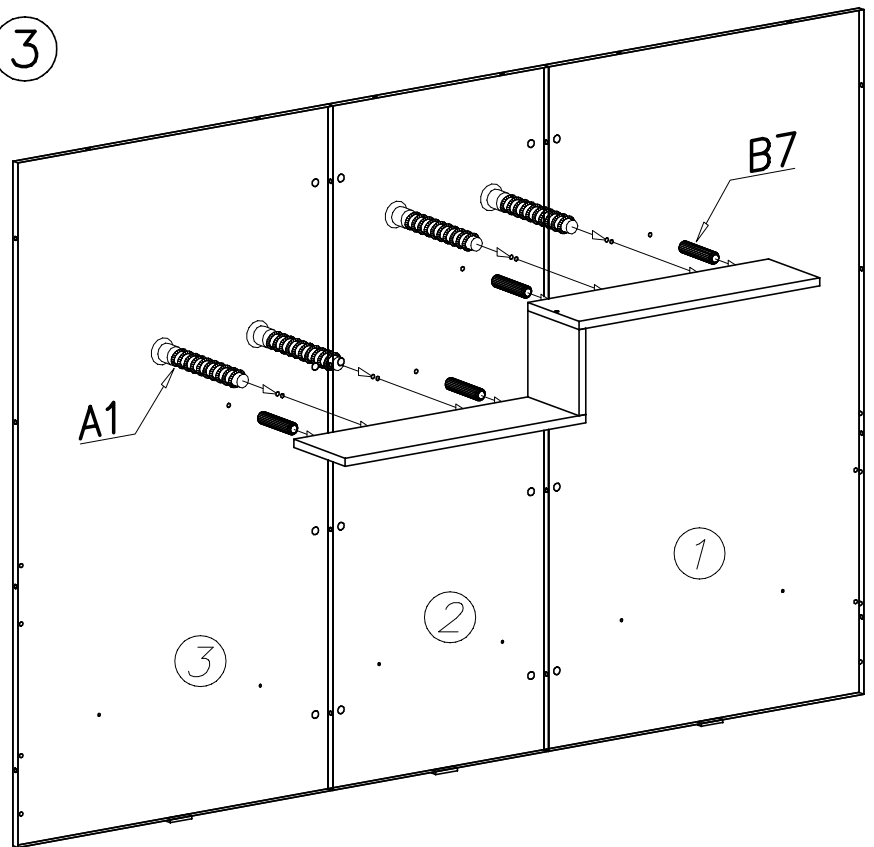


2



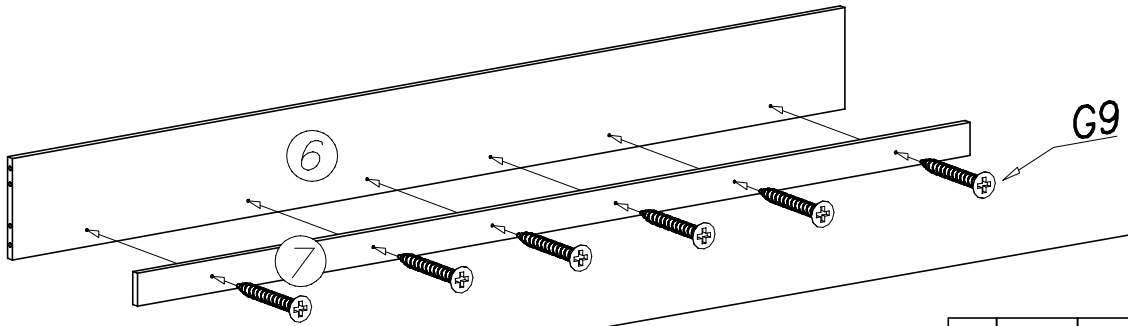
4	560	170
5	170	170

3



ATTENTION The length of the projecting pin when pocketed does not exceed 9–10 mm

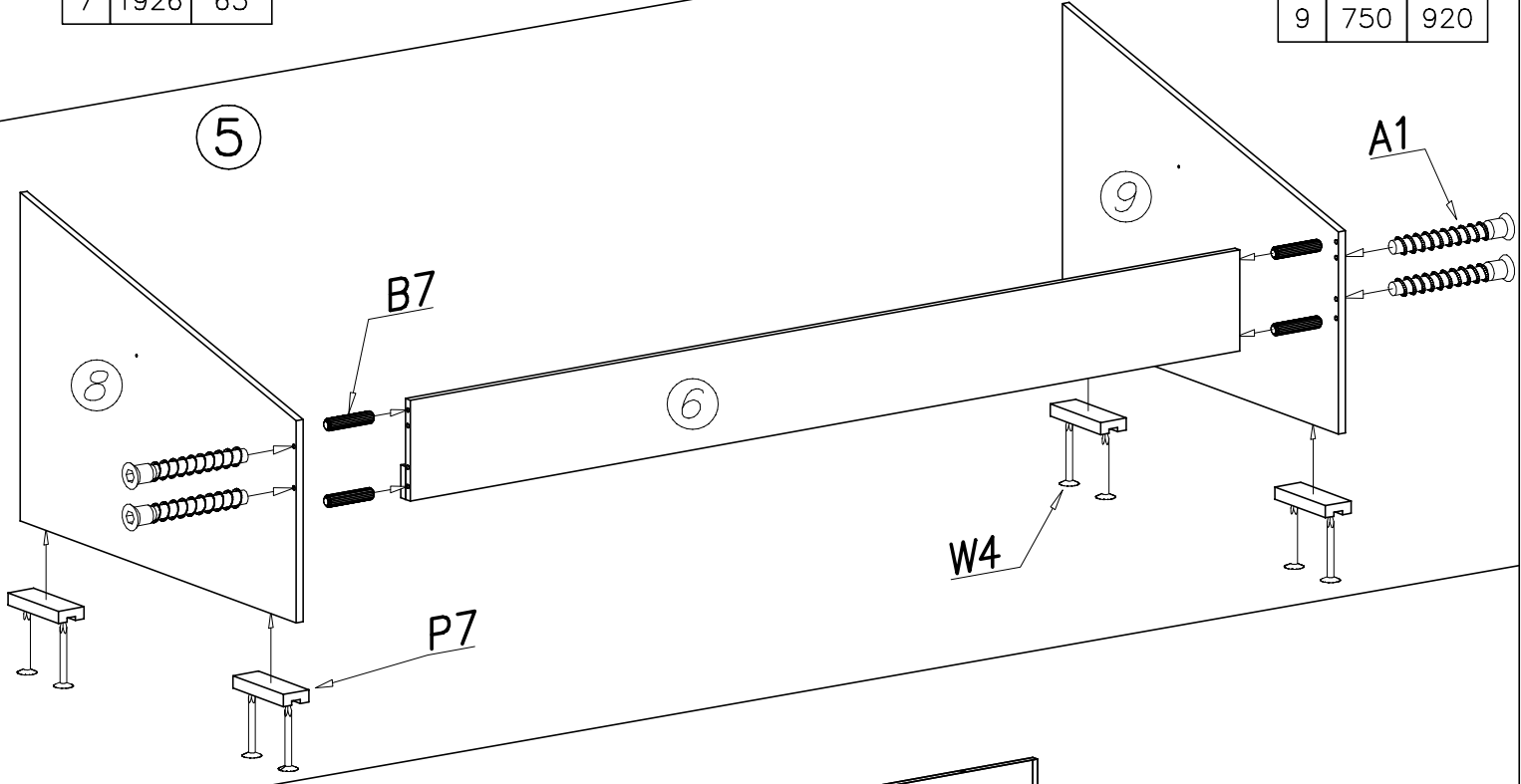
4



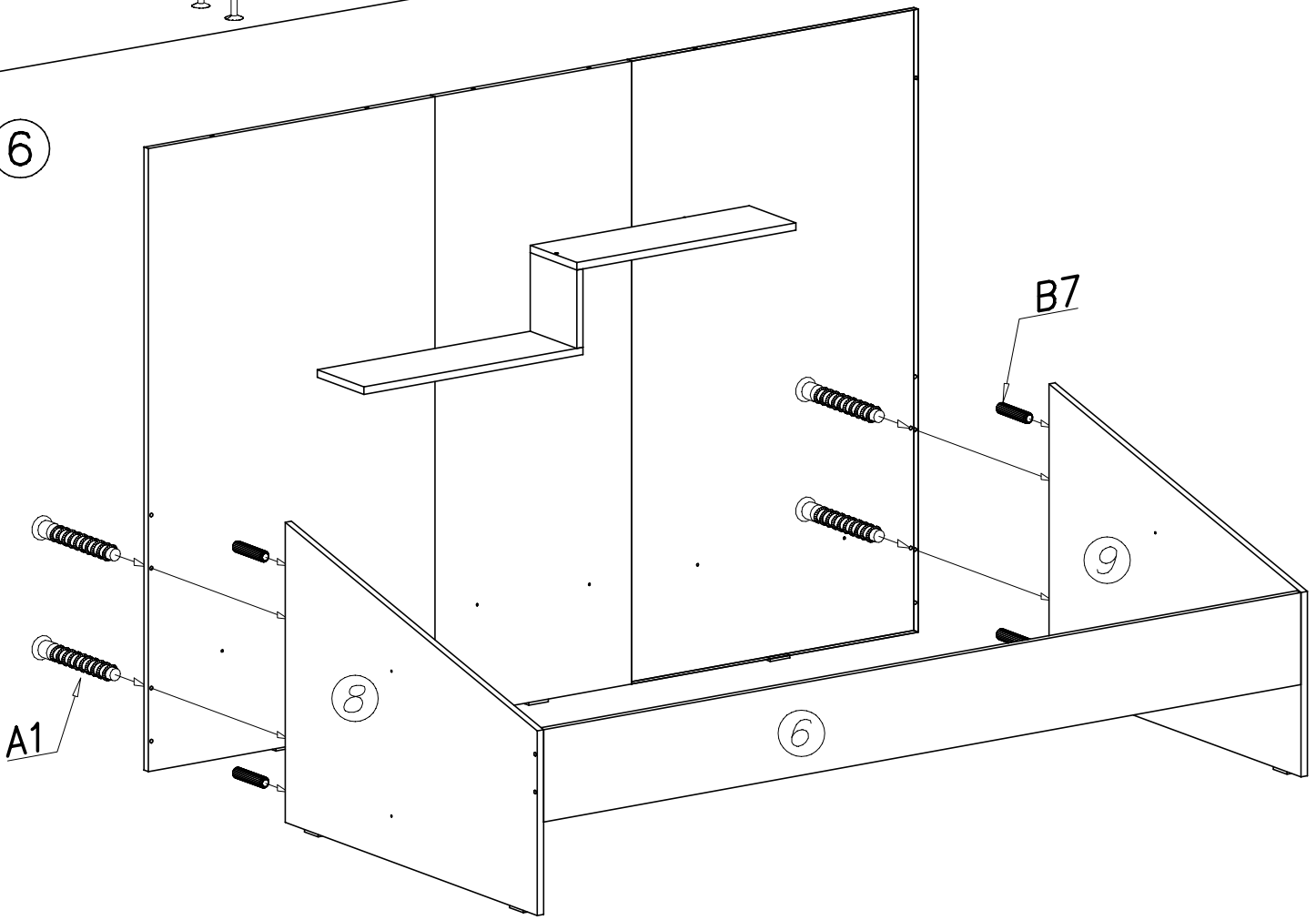
6	1934	200
7	1926	65

8	750	920
9	750	920

5

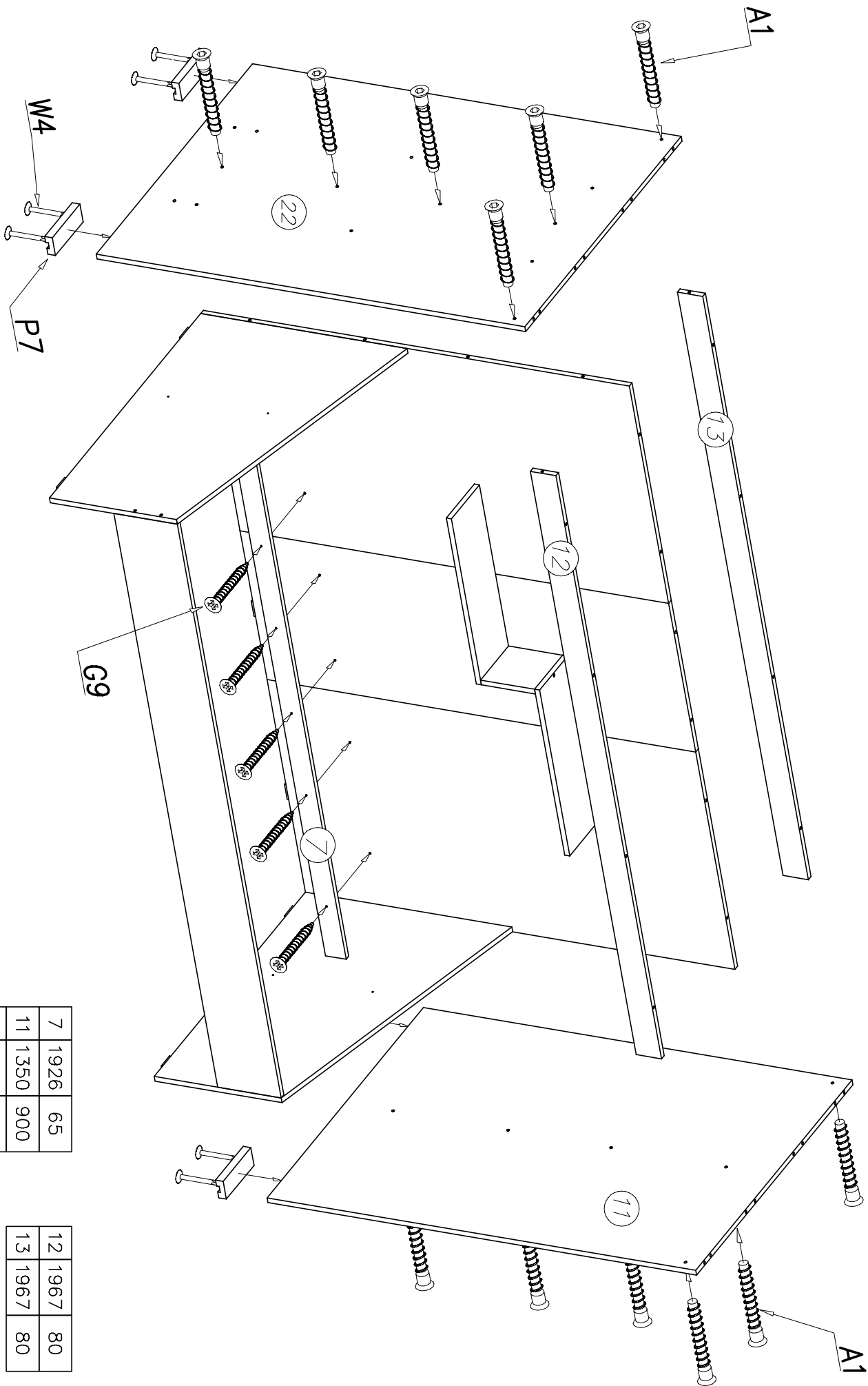


6



7

8

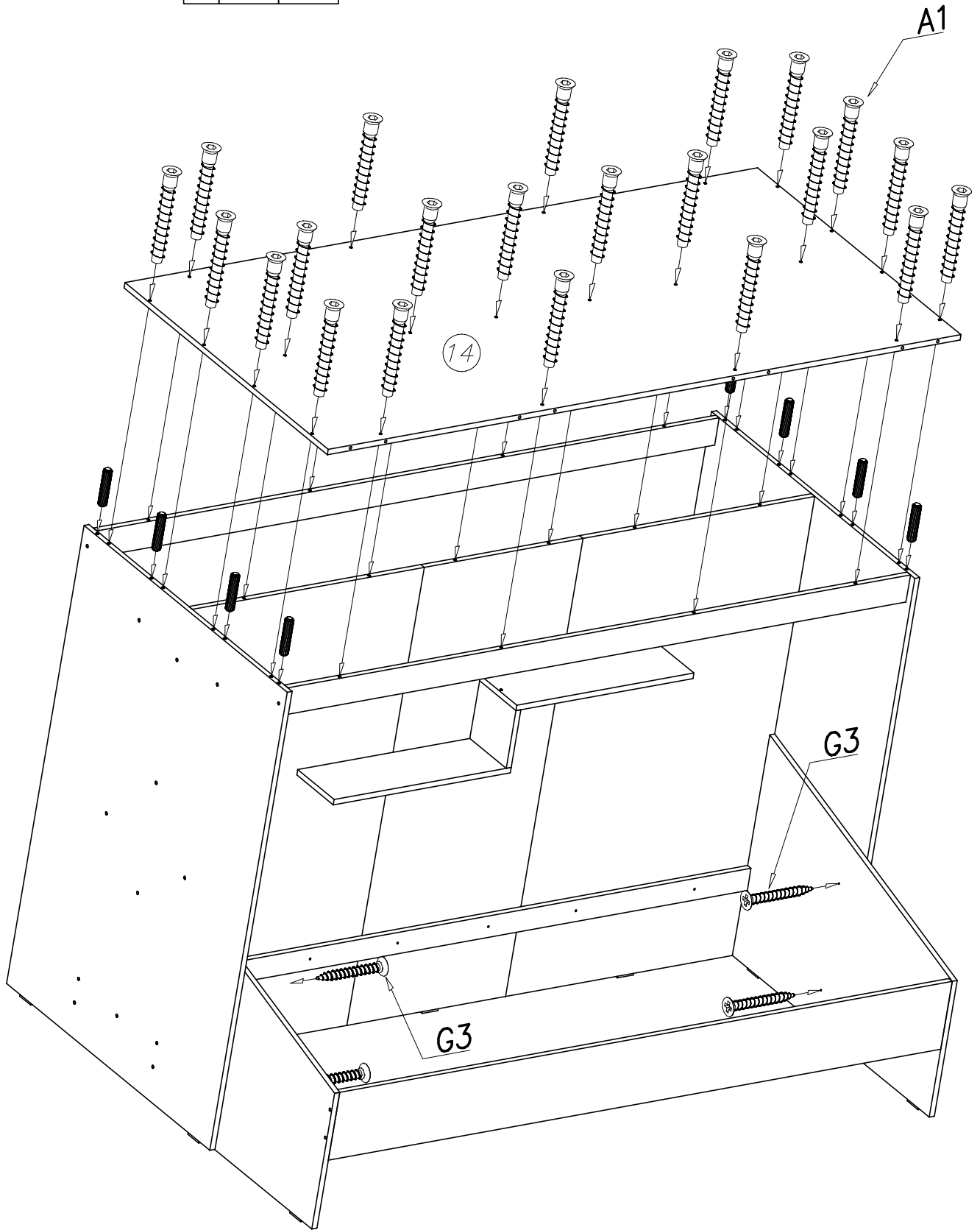


7	1926	65
11	1350	900
22	1350	900

12	1967	80
13	1967	80

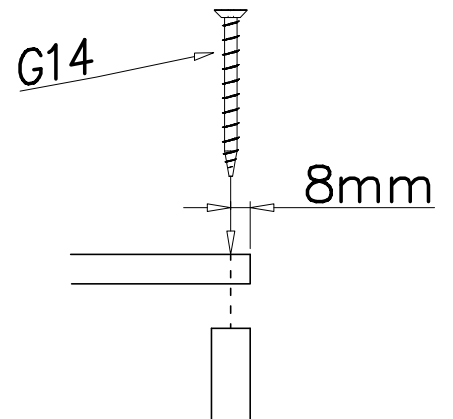
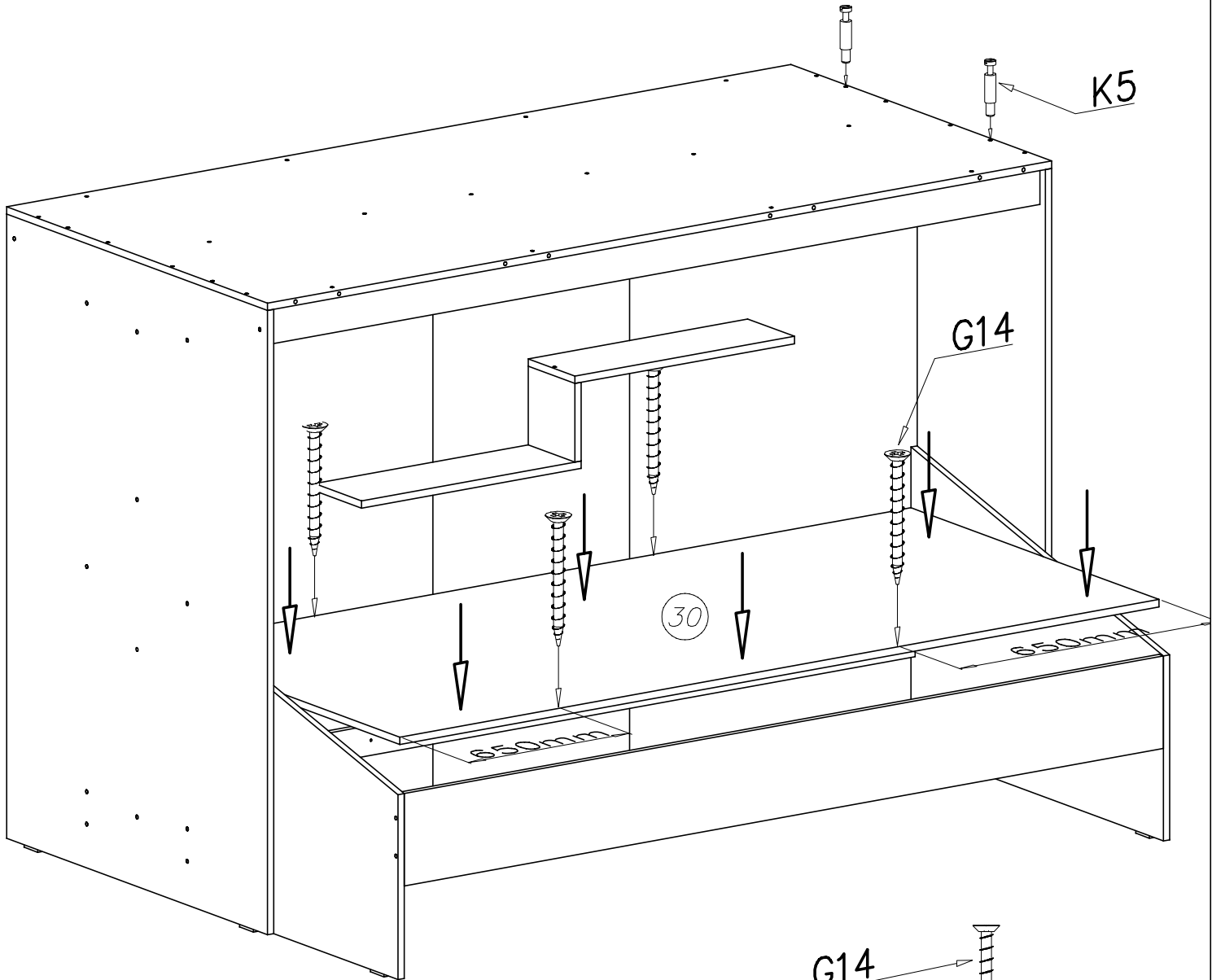
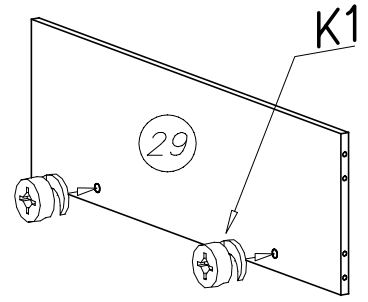
9

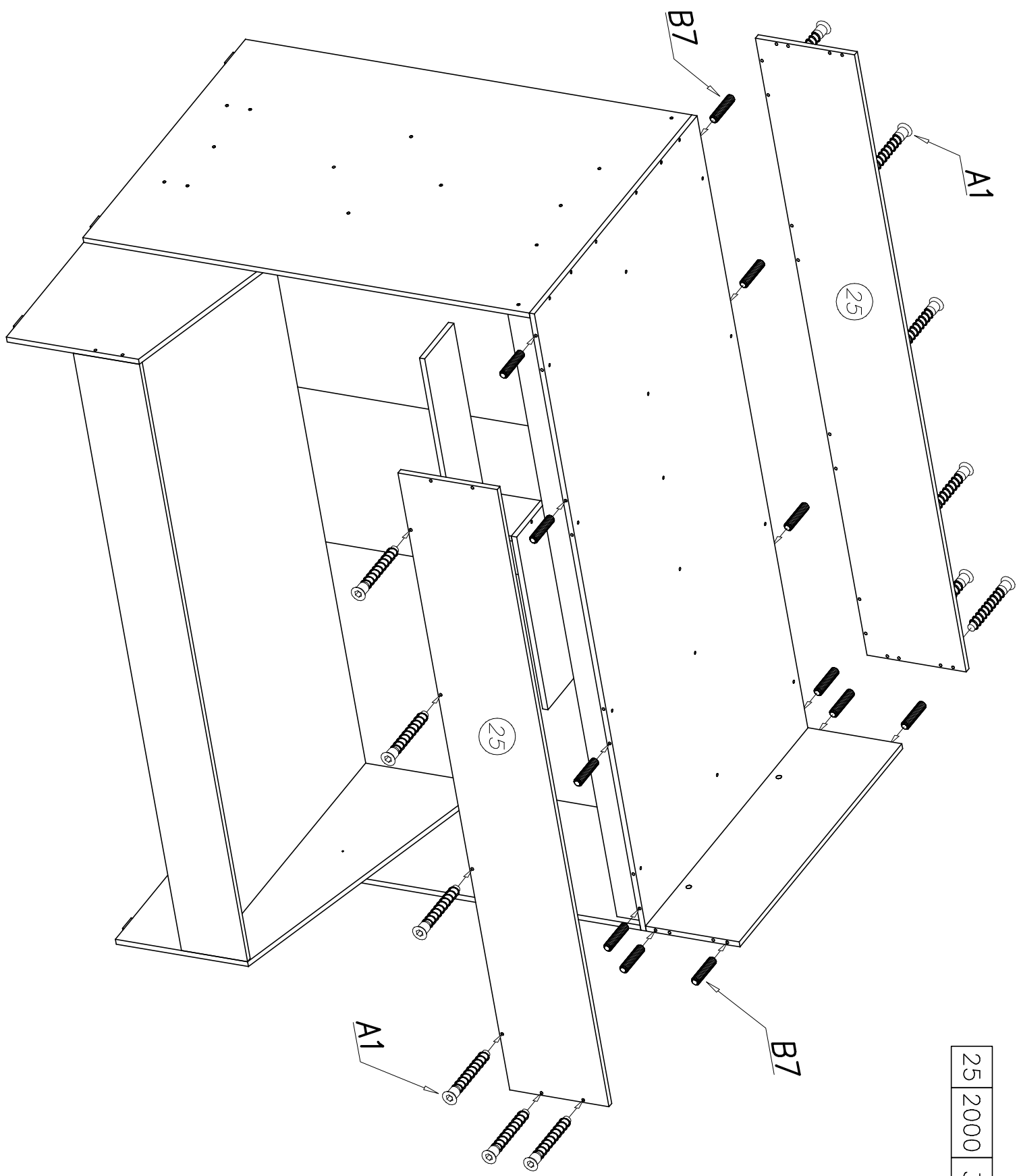
14	2000	900
----	------	-----



10

29	900	284
30	1850	900

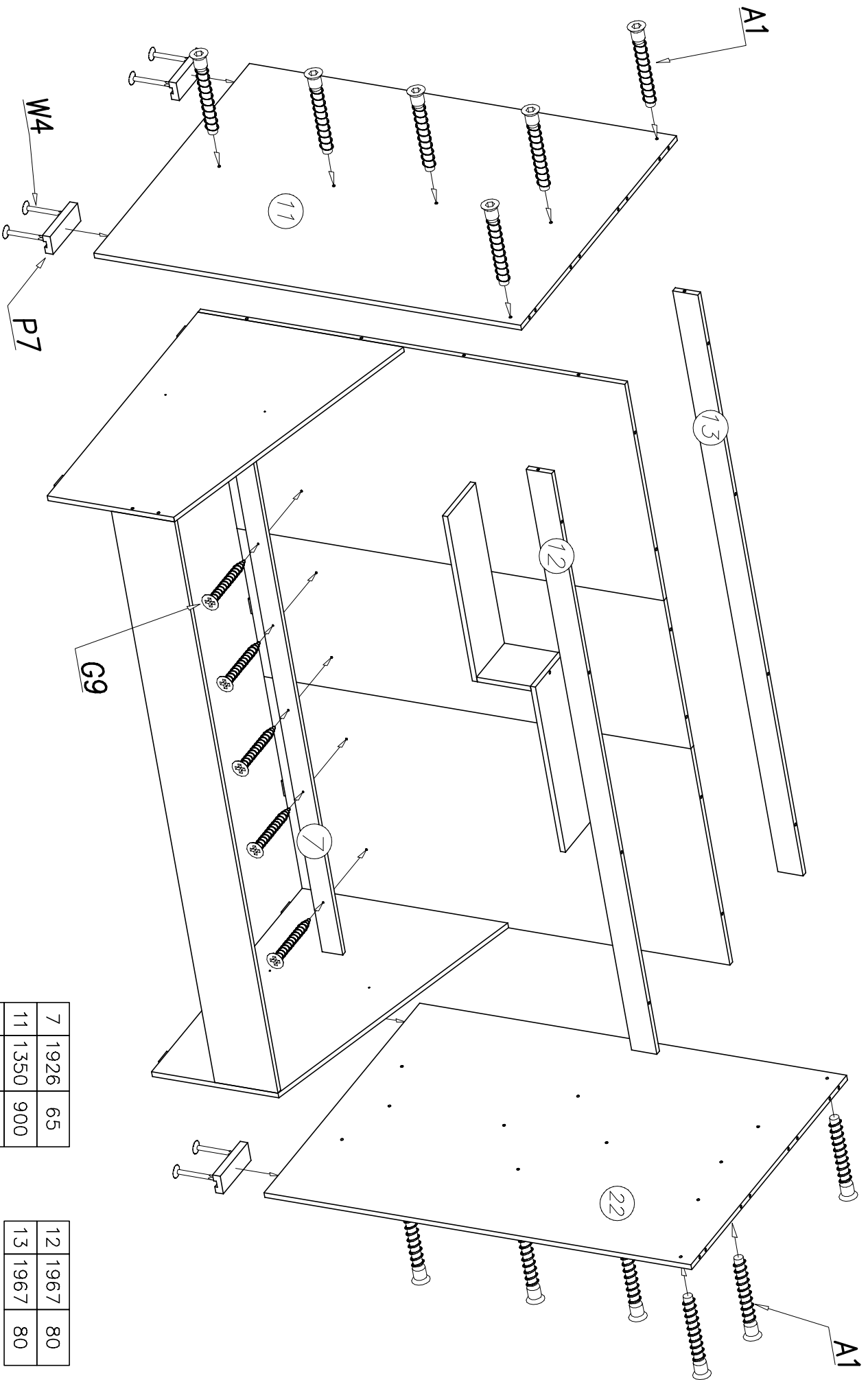




25	2000	300
----	------	-----

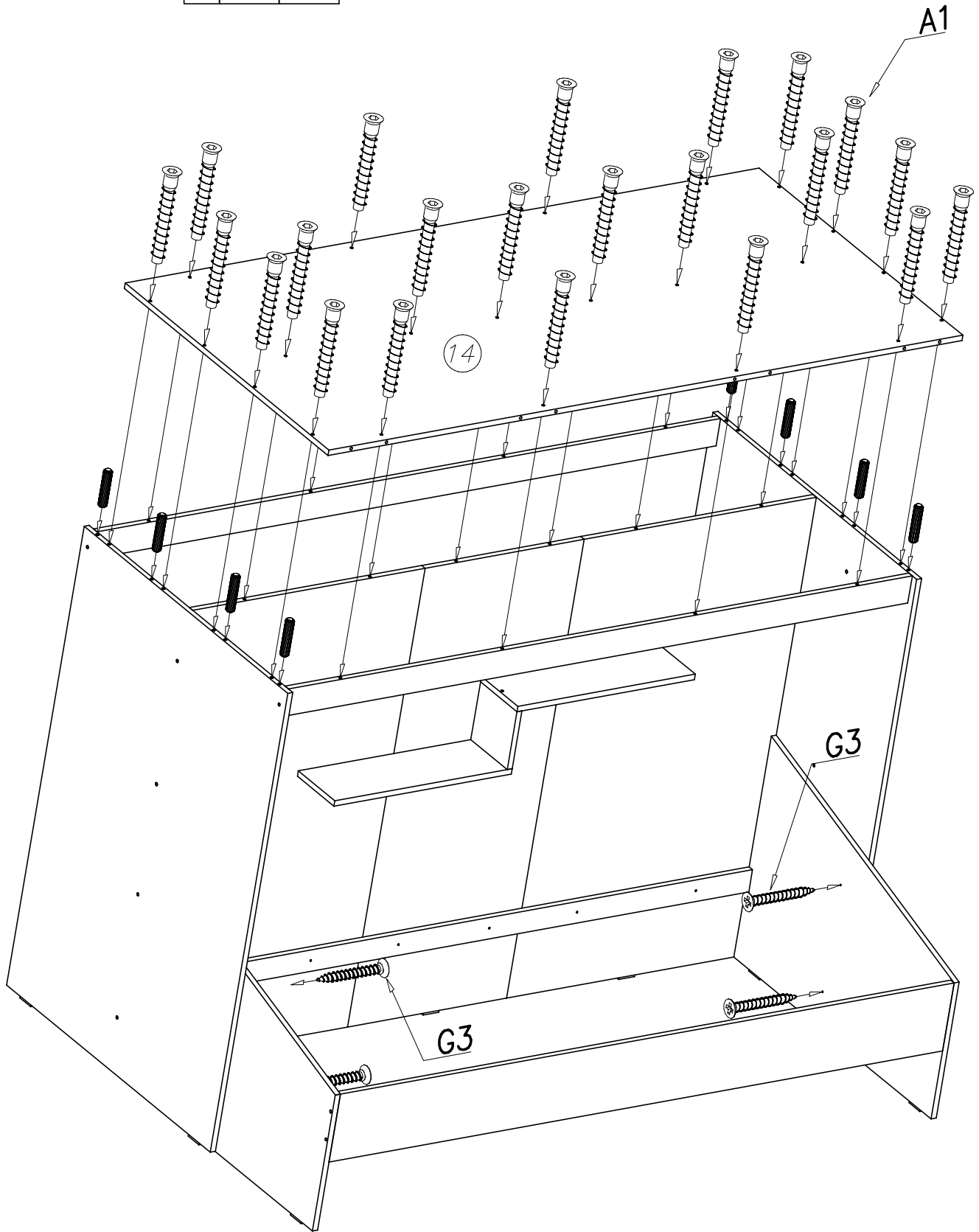
12

13

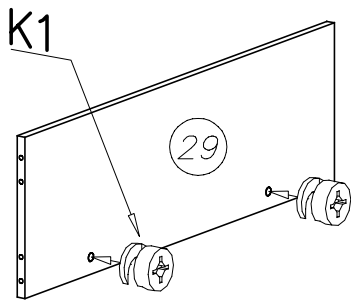


7	1926	65
11	1350	900
22	1350	900

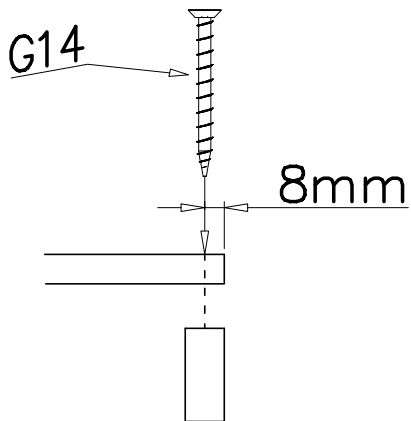
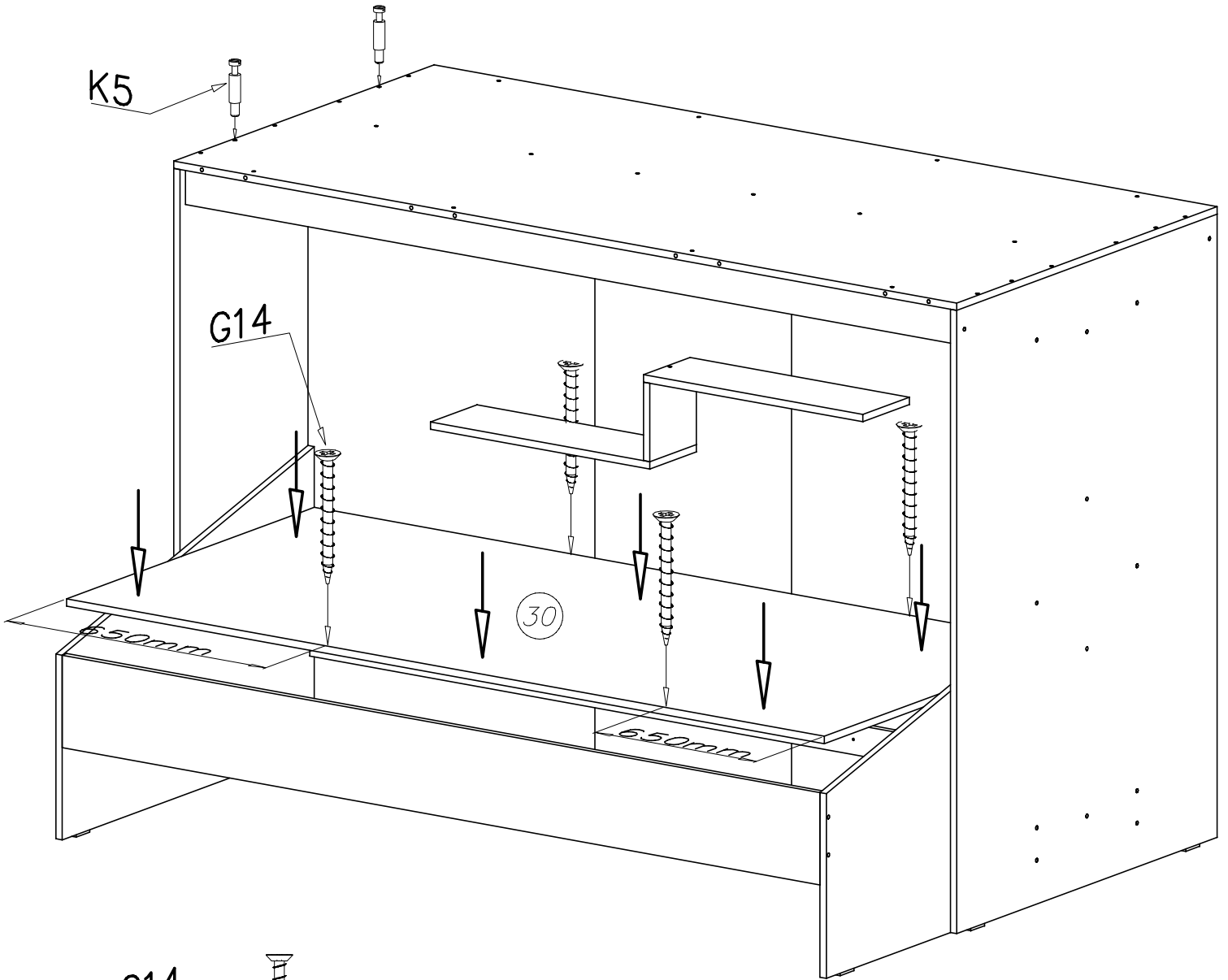
12	1967	80
13	1967	80

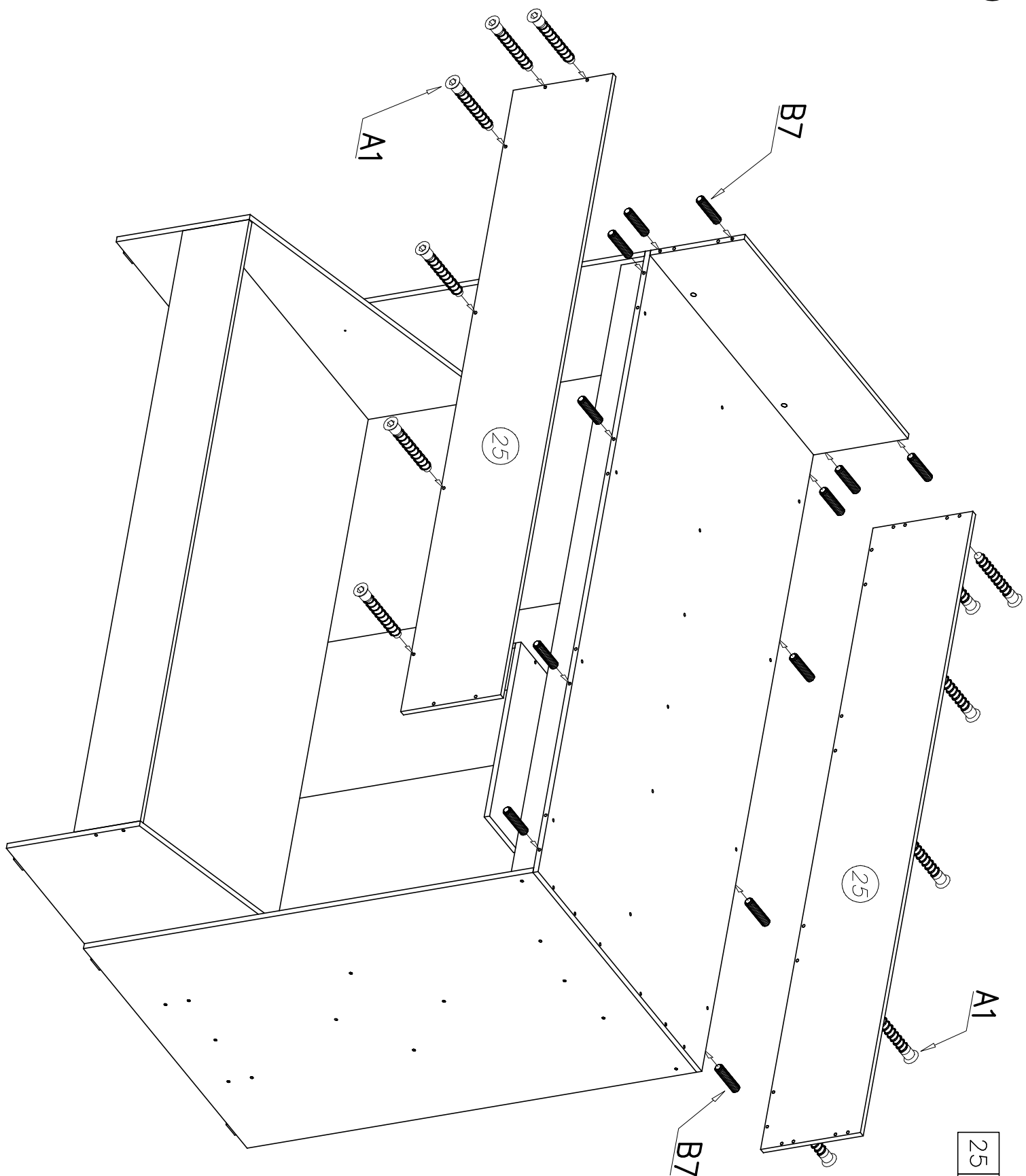


15

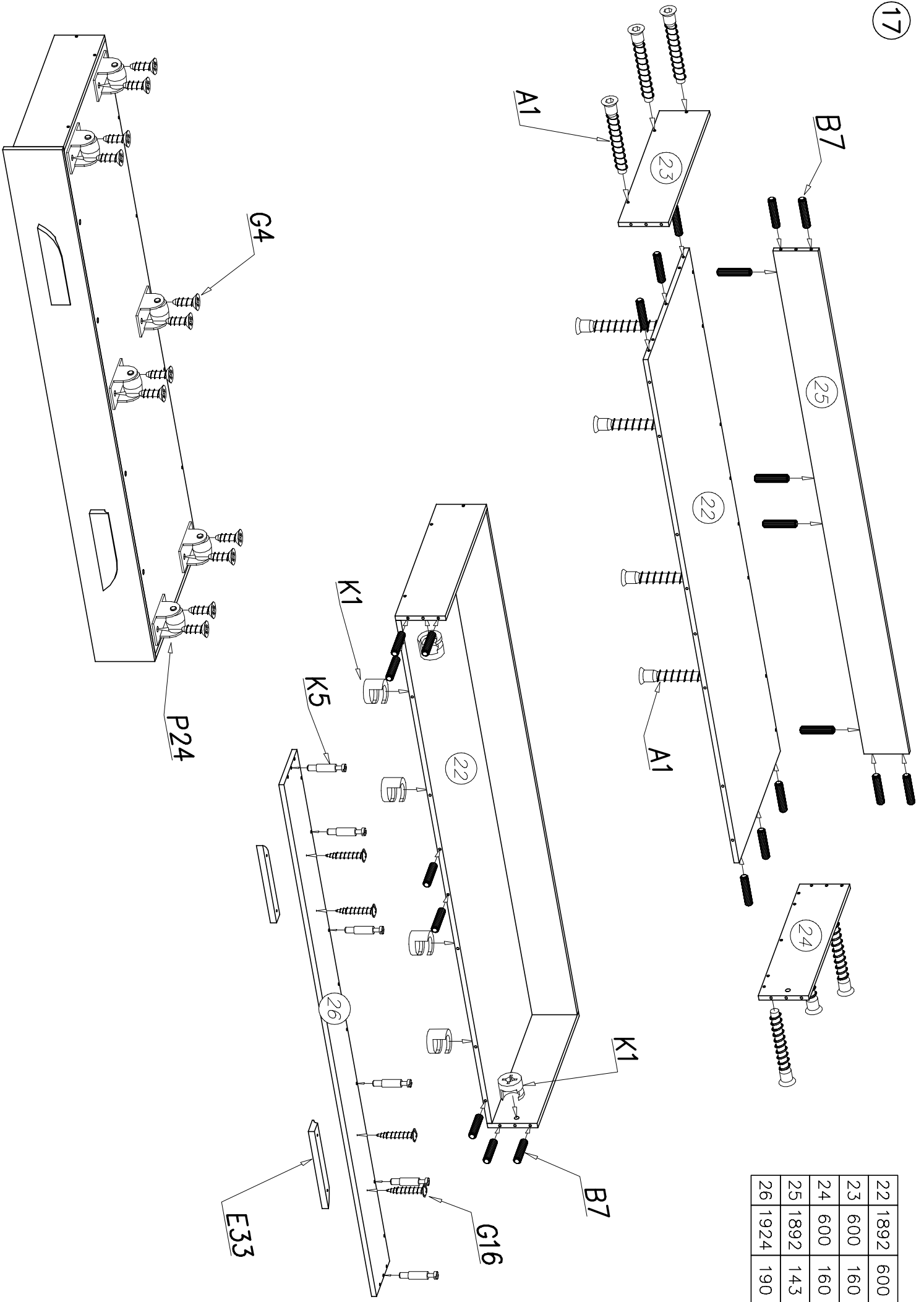


29	900	284
30	1850	900





25	2000	300
----	------	-----



22	1892	600
23	600	160
24	600	160
25	1892	143
26	1924	190