

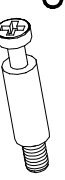


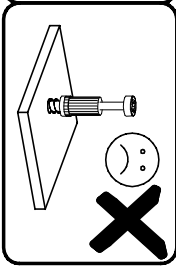
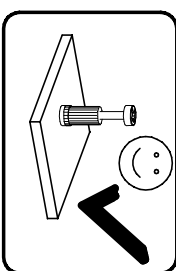
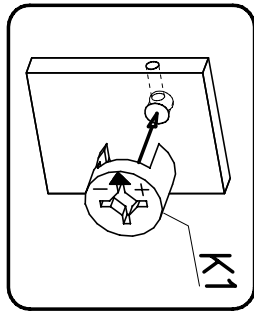
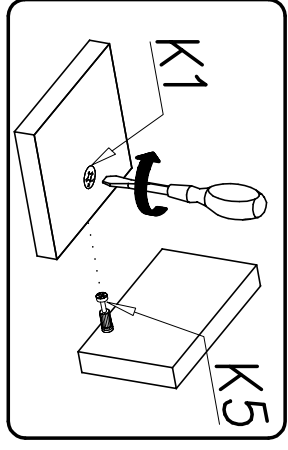
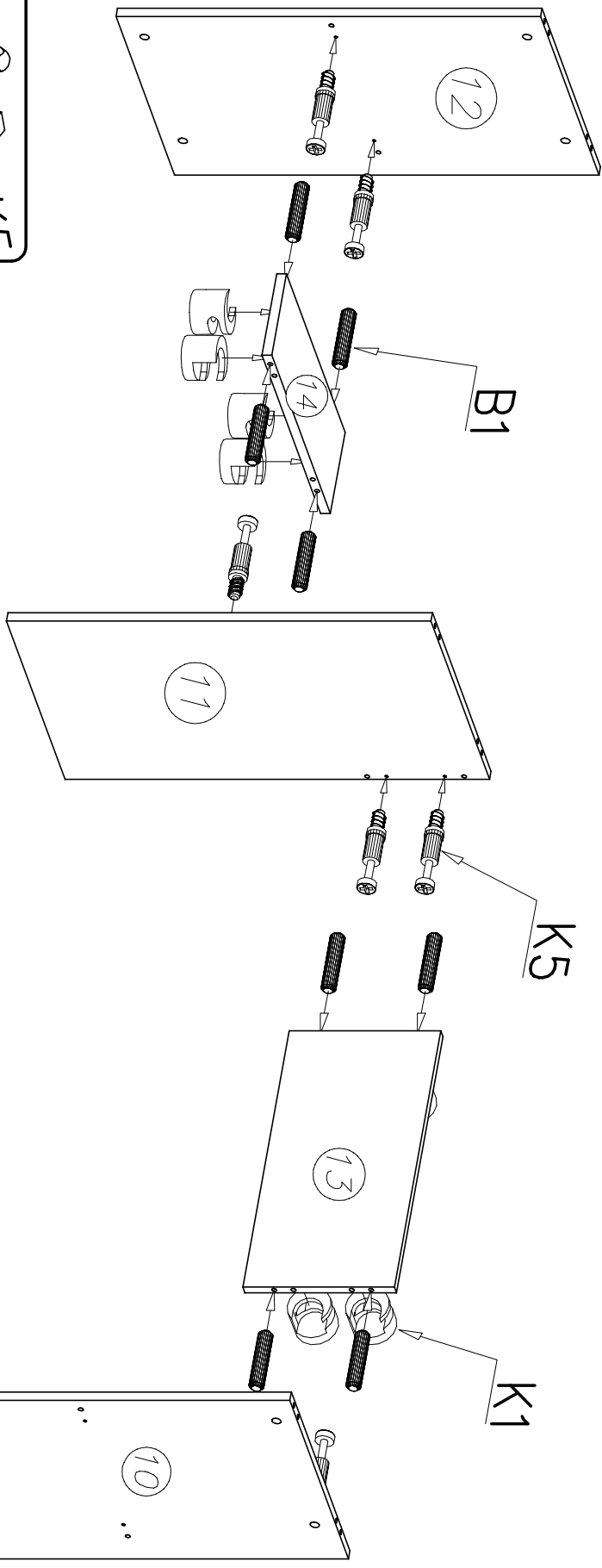
I10		x4
G2		x24
3x20		
C4		x4
Z350D		
M1		x1
G14		x7
3,5x45		
G20		x24
5x13		
F2		x12
C3		x4
Z35PR		
D4		x8

W4		x156	P24		x6	B1		x166	H9		x4
4mm			K5		x94	ø8x30			500mm		
W2		x1	K1		x94	ø15x12					
4mm			G4		x32	G6		x2	S4		x2
A1		x40	4x16			3x12					
ø7x50			G16		x18	E34		x9	S5		x1
P7		x18	4x27								

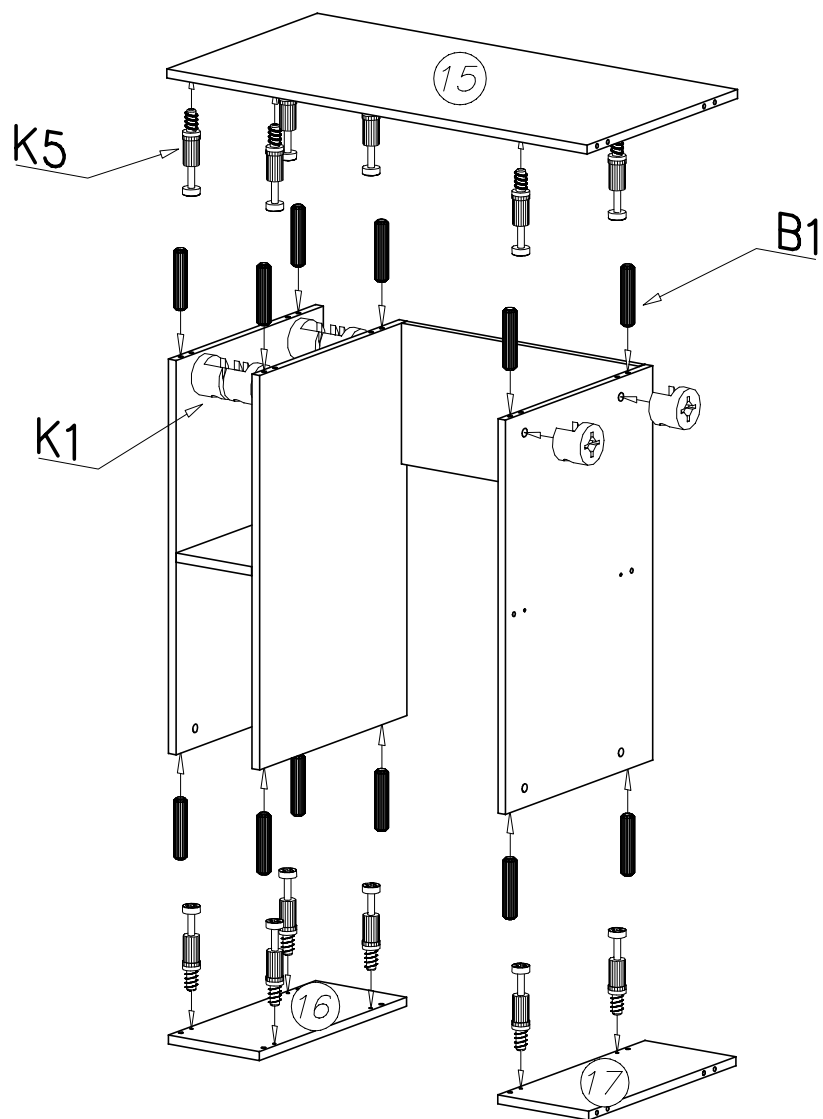
nr	L[mm]	B[mm]	T[mm]	Ilość	Paczka
1	880	450	16	1	4/7
2	880	218	16	2	4/7
3	900	450	16	1	4/7
4	680	234	16	2	4/7
5	700	450	16	1	4/7
6	480	234	16	2	4/7
7	500	450	16	1	4/7
8	743	446	3	1	5/7
9	1231	900	16	1	2/7
10	700	440	16	1	1/7
11	700	440	16	1	1/7
12	700	440	16	1	1/7
13	498	250	16	1	1/7
14	158	440	16	1	1/7
15	880	450	16	1	1/7
16	190	440	16	1	1/7
17	190	440	16	1	1/7
18	921	496	16	1	6/7
19	174	440	16	1	1/7
20	931	900	16	1	3/7
21	931	900	16	1	3/7
22	281	900	16	4	2/7

nr	L[mm]	B[mm]	T[mm]	Ilość	Paczka
23	931	900	16	1	3/7
24	931	900	16	1	3/7
25	281	70	16	2	2/7
26	418	130	16	2	2/7
27	467	300	16	1	4/7
28	467	300	16	1	4/7
29	467	900	16	1	2/7
30	931	900	16	1	3/7
31	2000	900	16	1	5/7
32	2014	930	16	1	5/7
33	1231	900	16	1	2/7
34	500	283	16	1	1/7
35	2017	300	16	1	5/7
36	2017	300	16	1	5/7
37	445	228	16	4	7/7
38	500	180	16	4	5/7
39	500	180	16	4	5/7
40	361	180	16	4	1/7
41	392	505	3	4	5/7
42	921	496	16	1	6/7
43	446	480	16	1	1/7
44	281	900	16	2	2/7
45	445	228	16	1	7/7
46	445	228	16	2	7/7

B1		x8	K1		x8	K5		x8
	∅8x30			∅15x12				

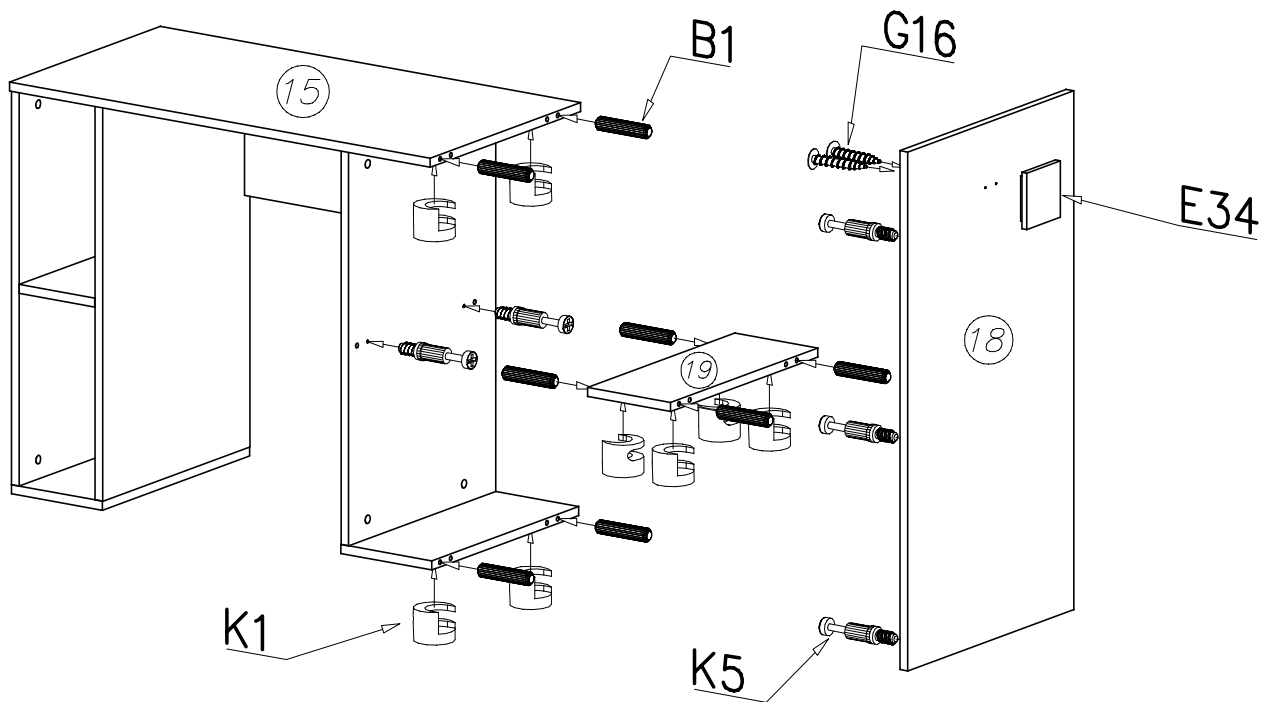


2




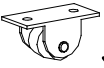
K5		x12
B1		x12
	∅8x30	
K1		x12
	∅15x12	

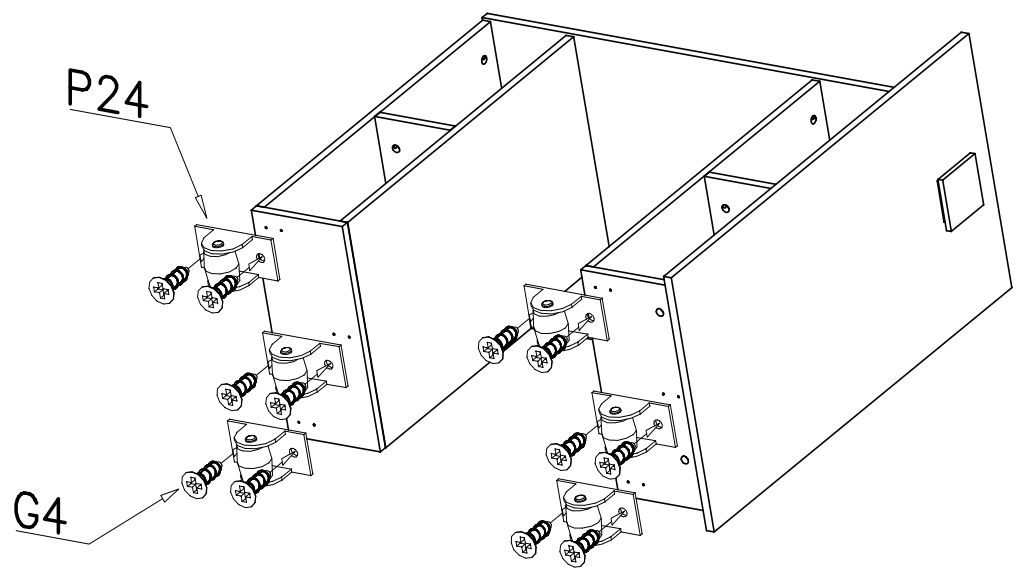
3



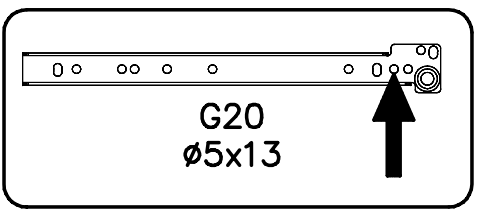
G16		E34		B1		K1		K5	
4x27		v2	v1	∅8x30	vR	∅15x12	vR	v8	




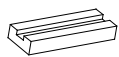

4

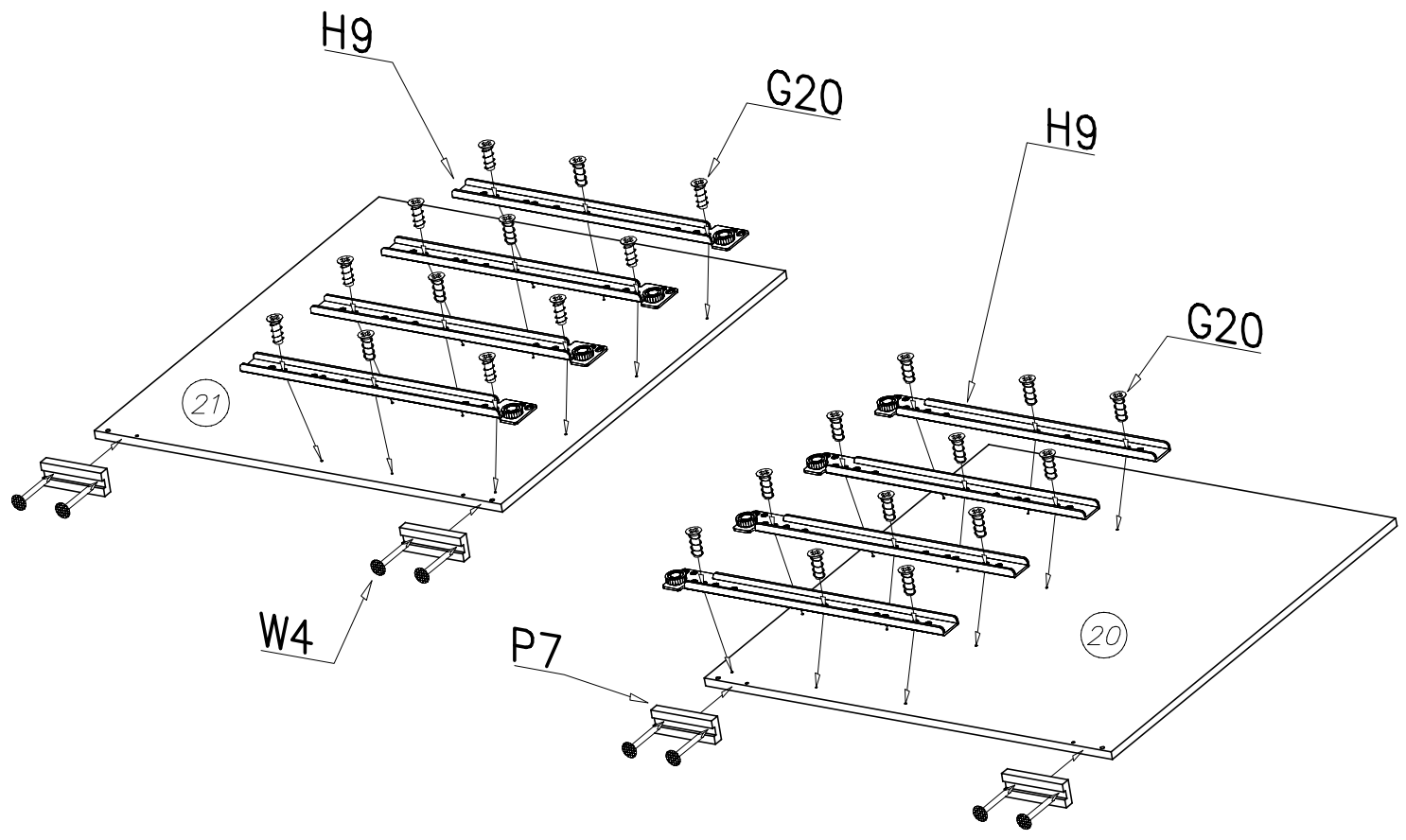
G4		P24	
4x16	x12		x6


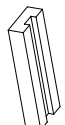


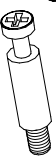


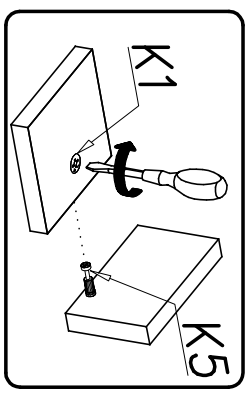
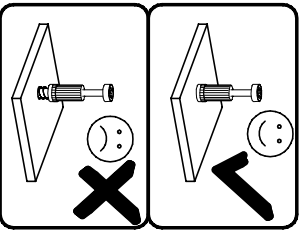
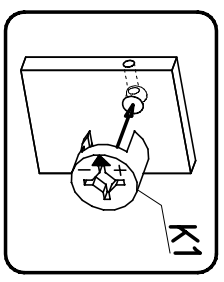
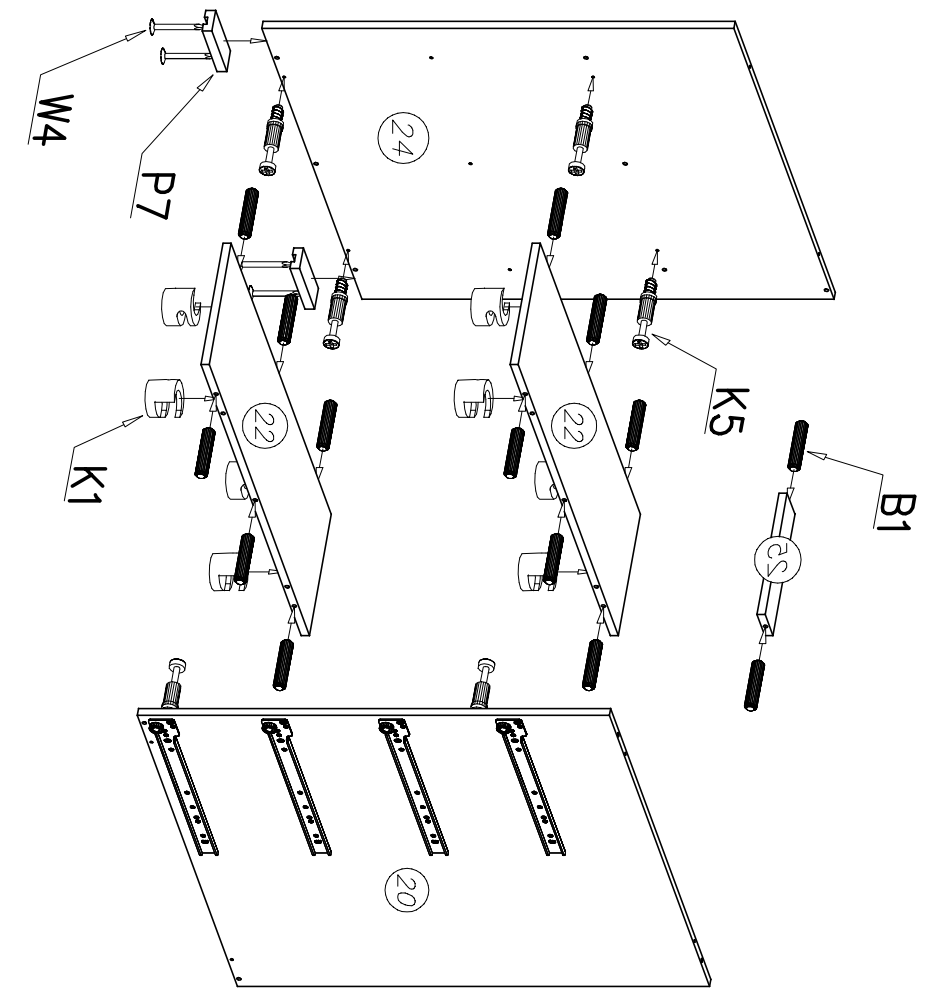
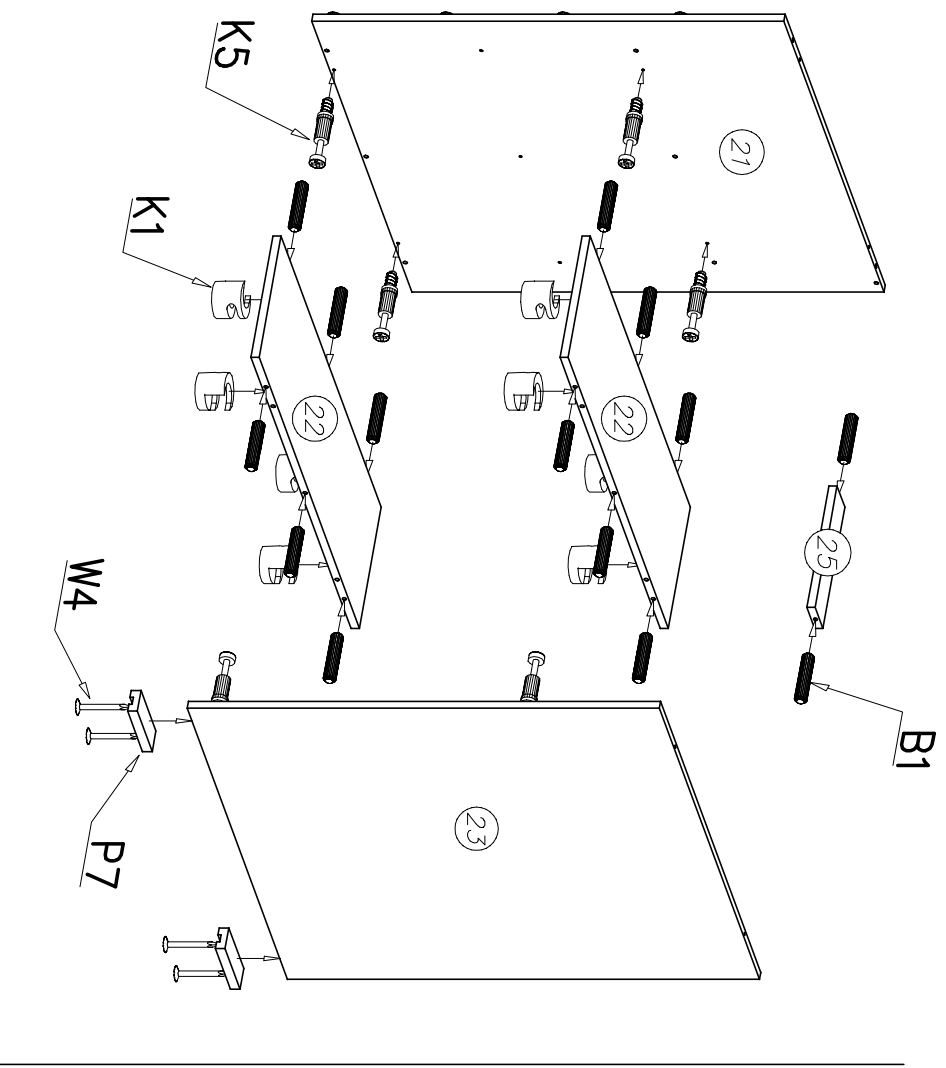
5







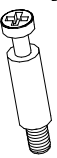


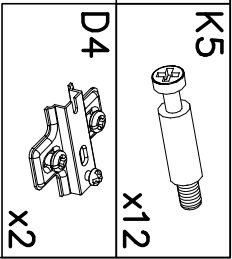
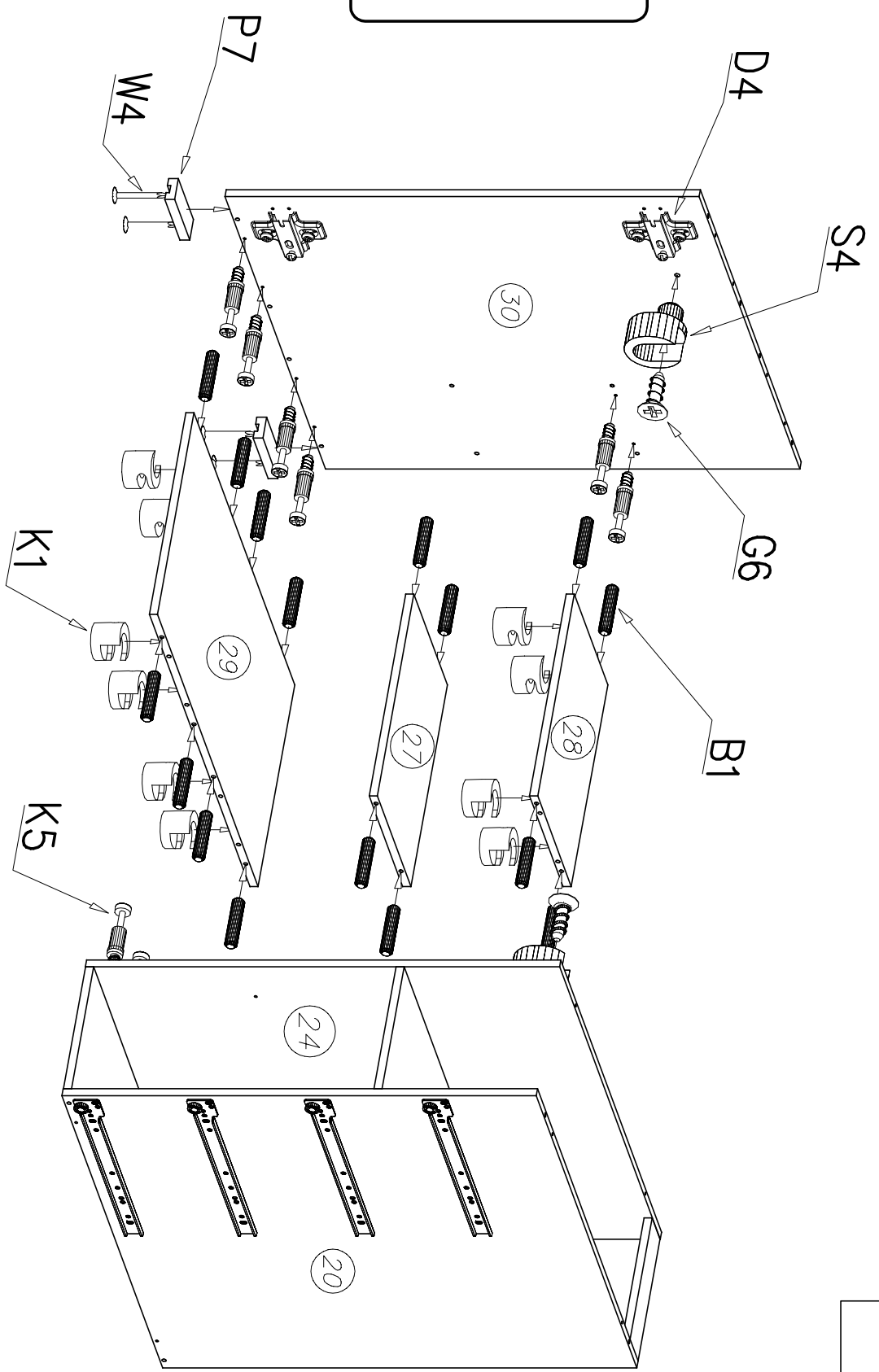
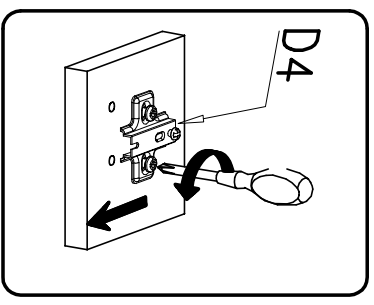
W4		G20		H9	
	x8	5x13	x24		
		P7			
			x4		500mm x4

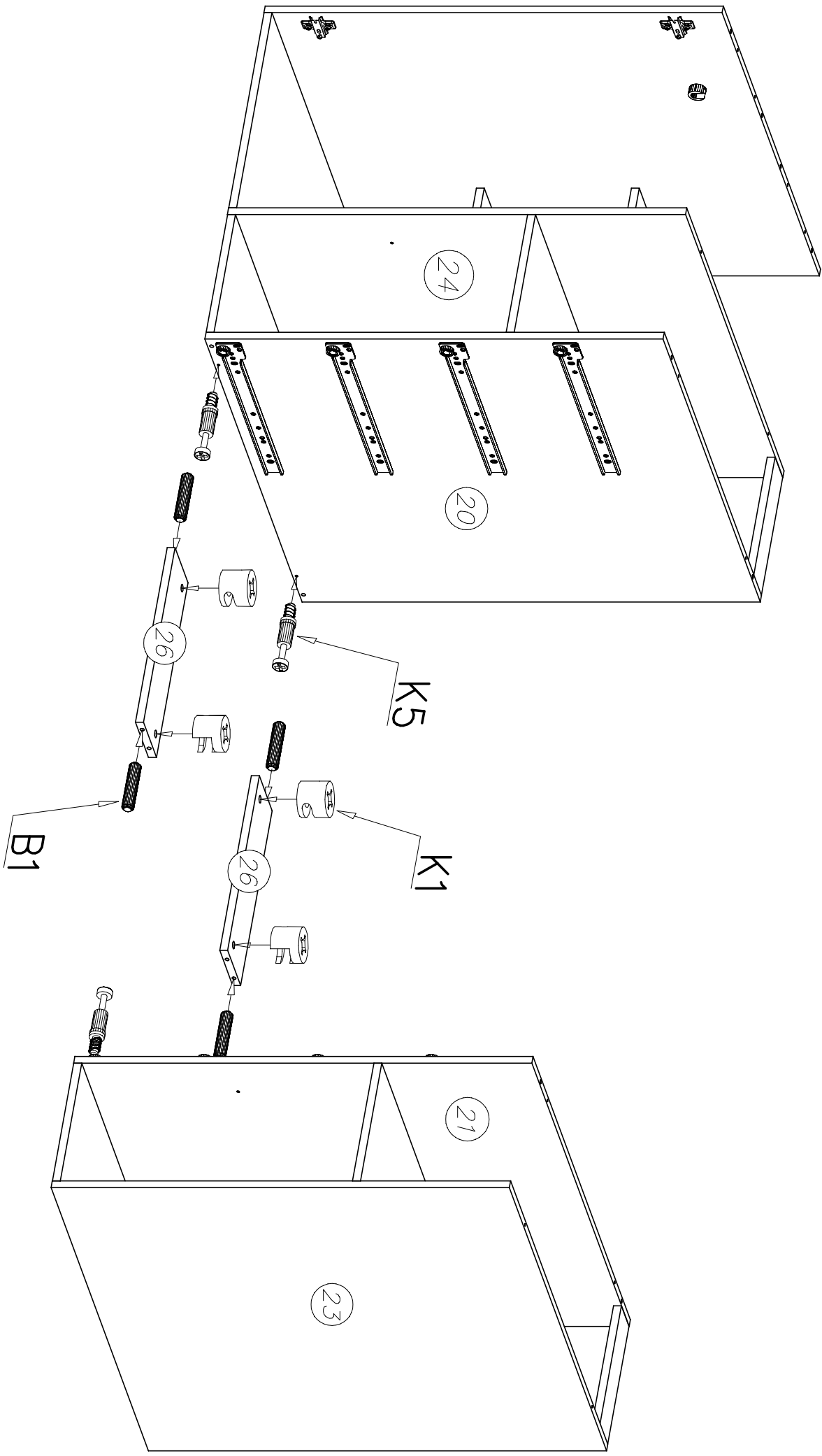





W4	P7	B1	K1	K5
				
x8	x4	ø8x30 x28	ø15x12 x16	x16

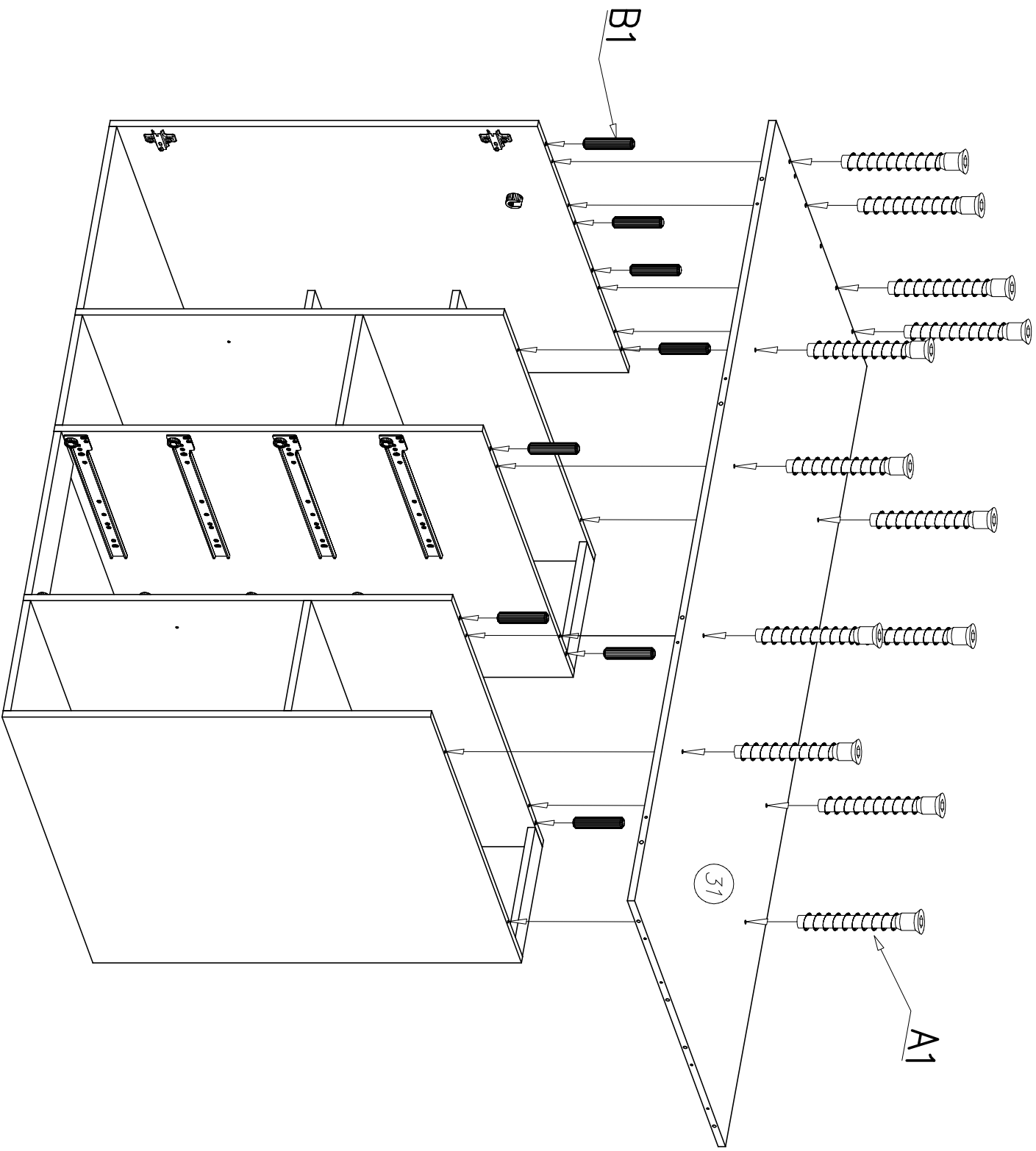





G6		S4		W4		P7		B1		K1		K5	
3x12	x2	x2	x2	x4	x2	ø8x30	x16	ø15x12	x12	D4	x12	x2	



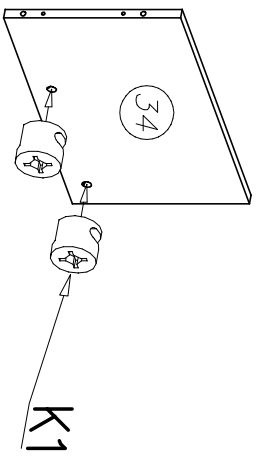


B1		K1		K5	
ø8x30		ø15x12			
X4		X4			X4

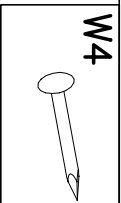
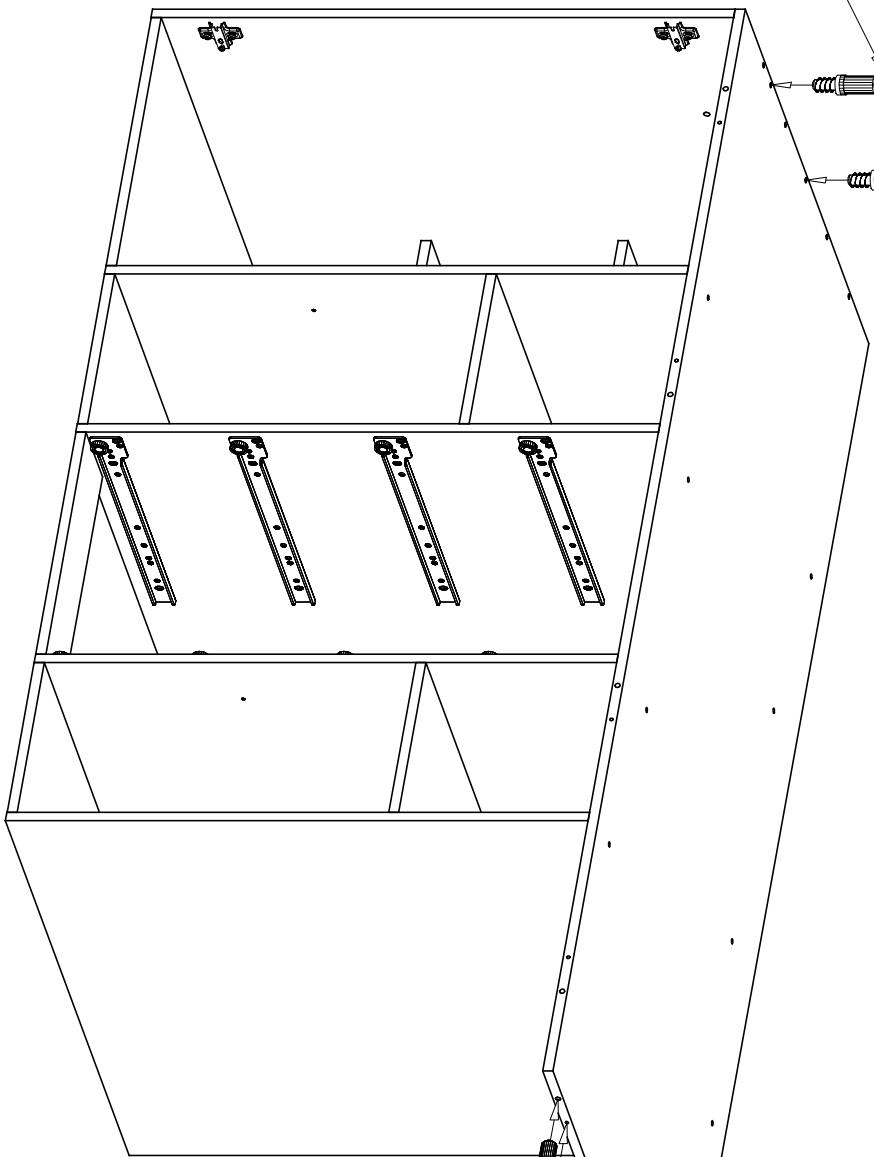
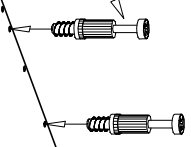


W2		x1
4mm		
A1		x12
Ø7x50		
B1		x8
Ø8x30		

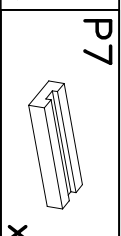
10



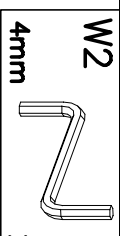
K5



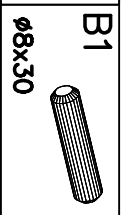
x4



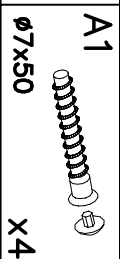
x2



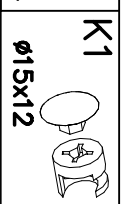
x1



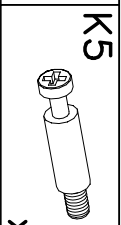
x4



x4

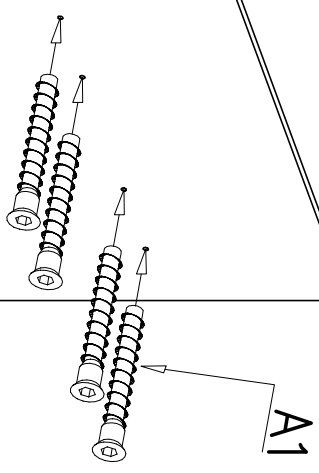


x2



x2

B1

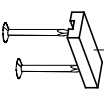
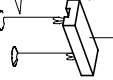


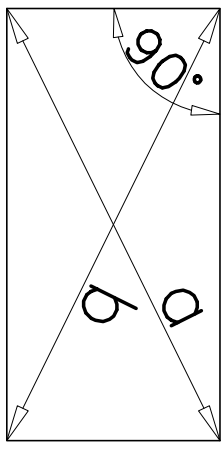
A1

33

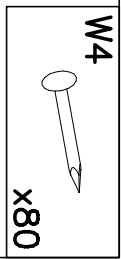
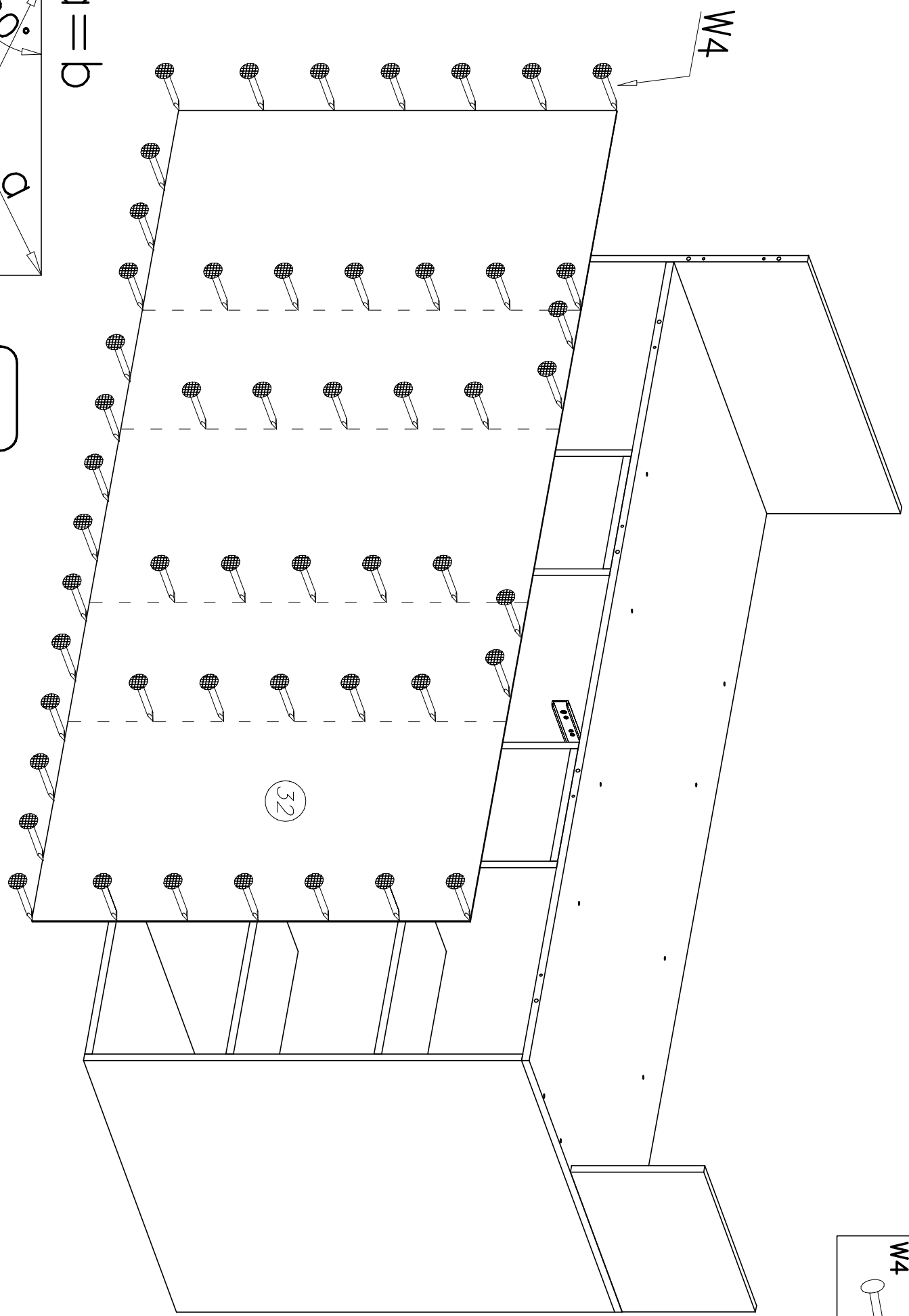
P7

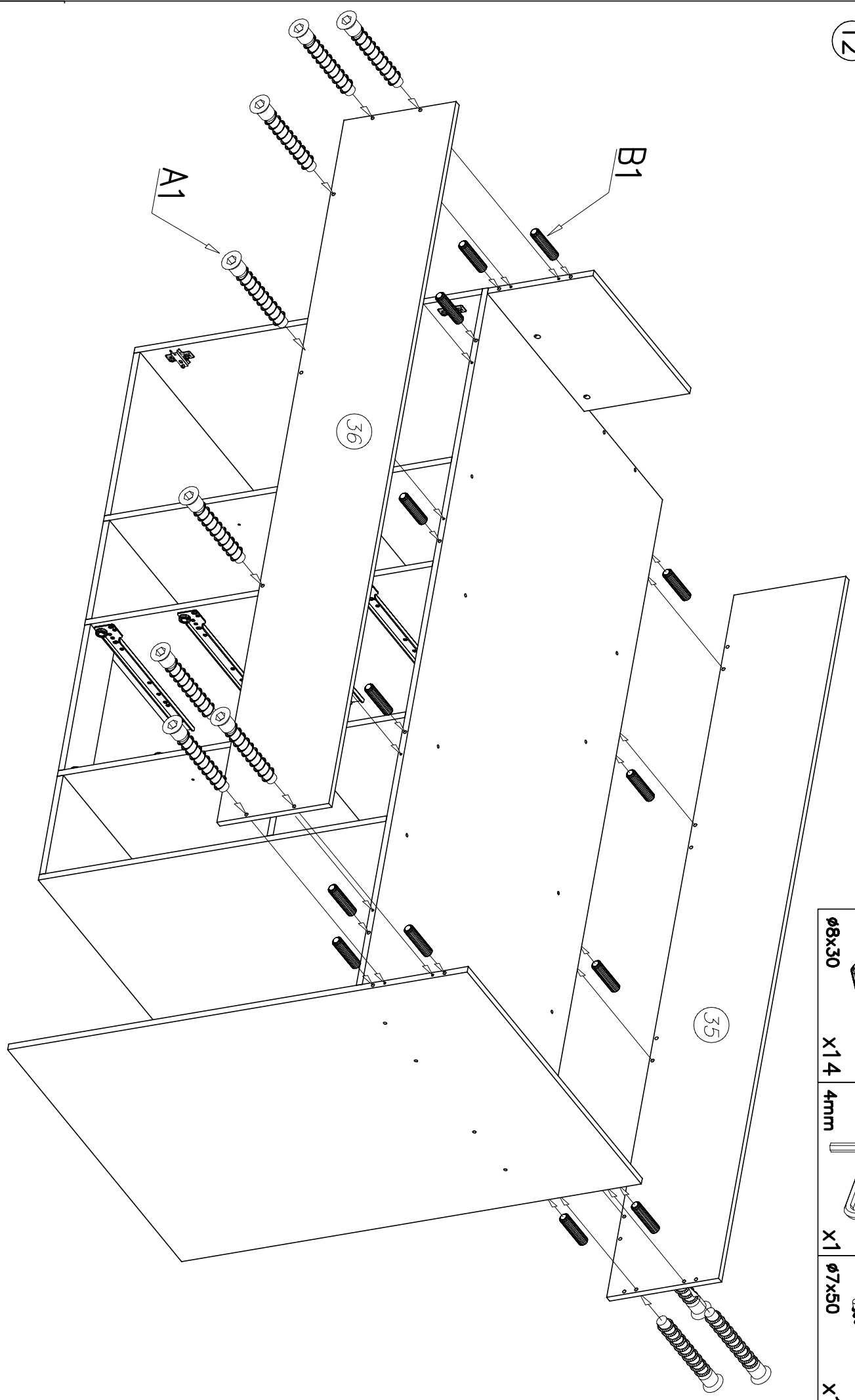
W4

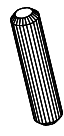




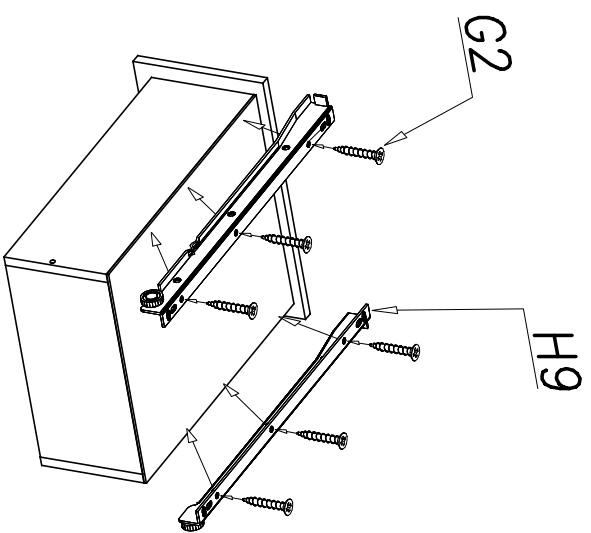
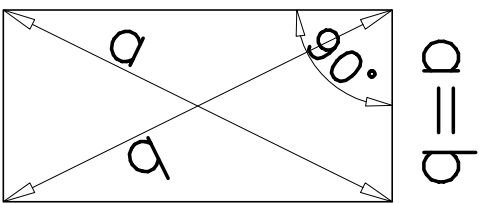
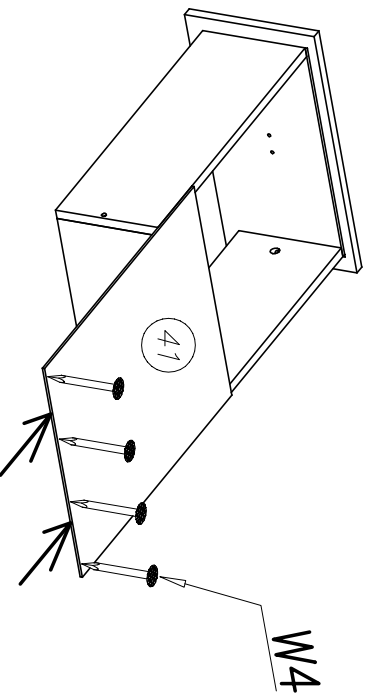
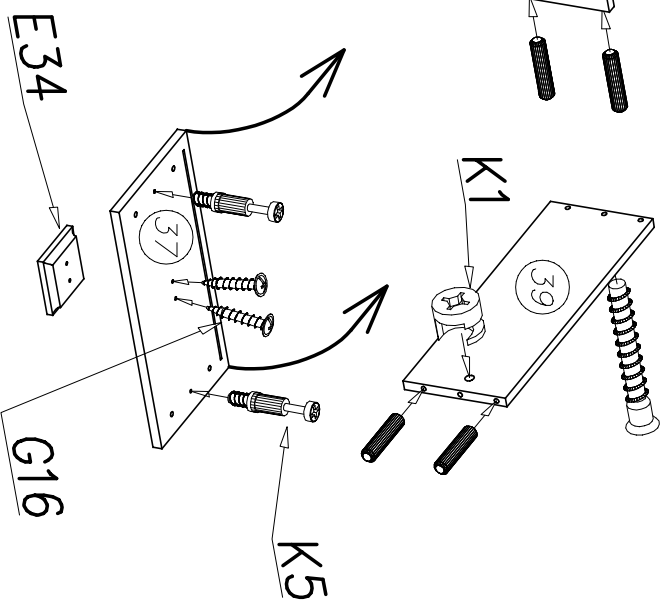
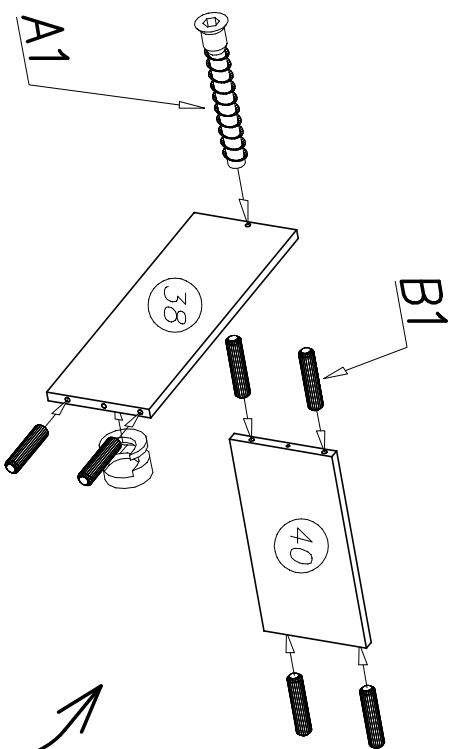


$a = b$





B1		W2		A1	
ø8x30	x14	4mm	x1	ø7x50	x14



W2		x1
4mm		

W4		x20
G2		x24
3x20		



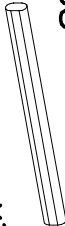
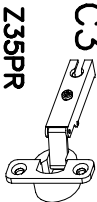

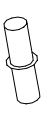
H9		x4
K1		x8
500mm		

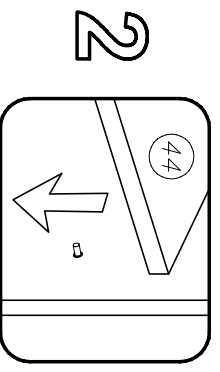
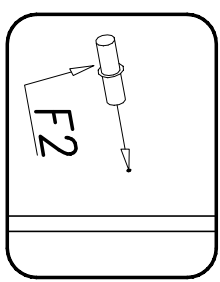
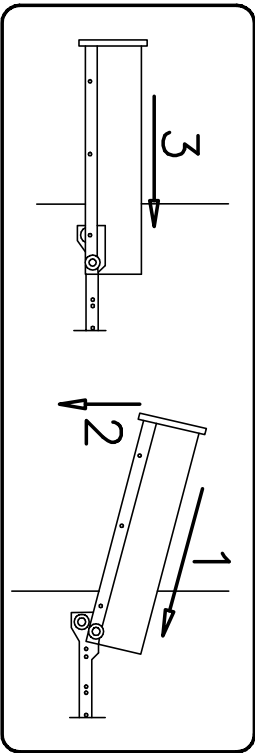
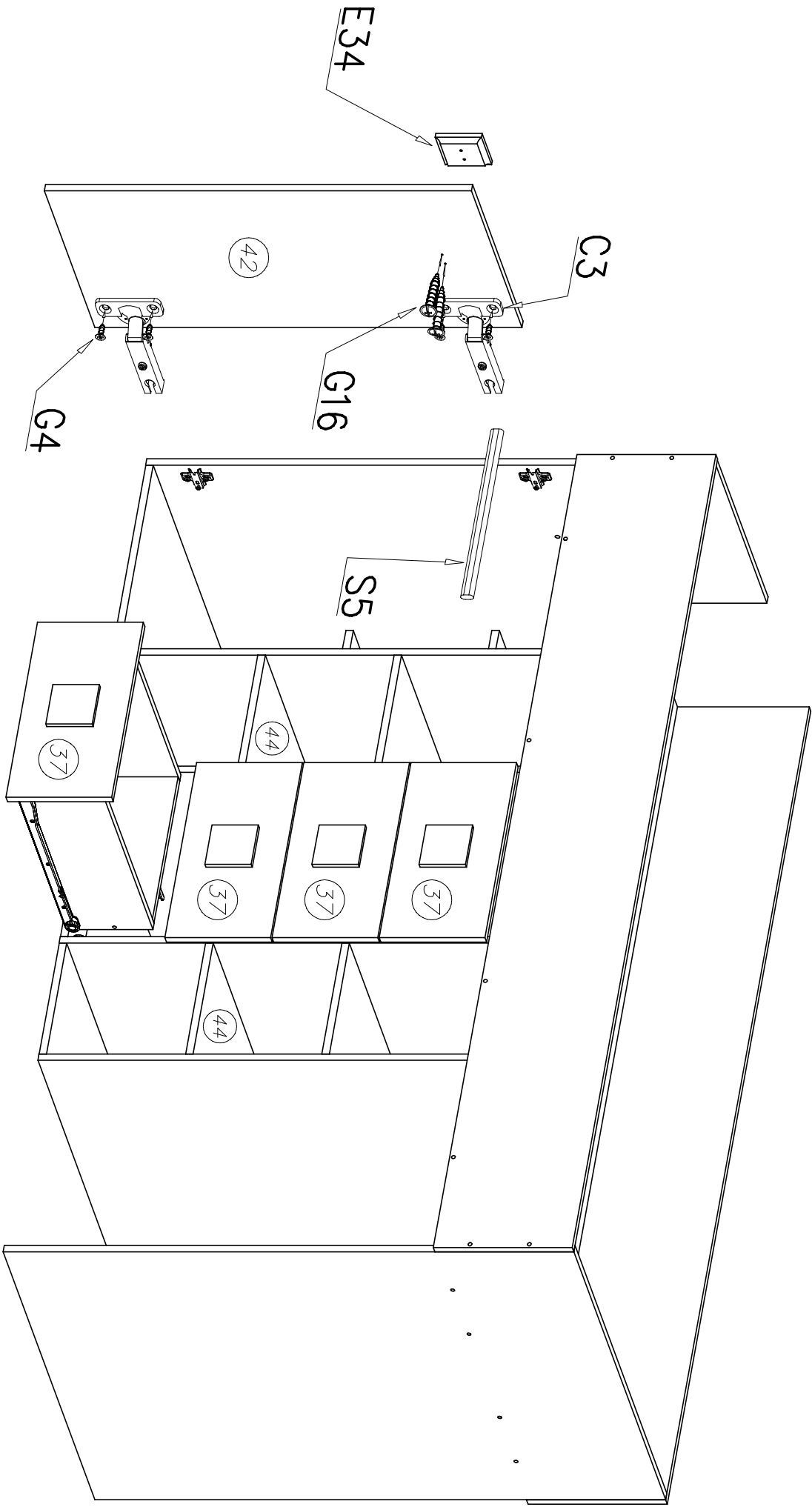
E34		x4
G16		x8
4x27		

K5		x8
A1		x8
ø7x50		

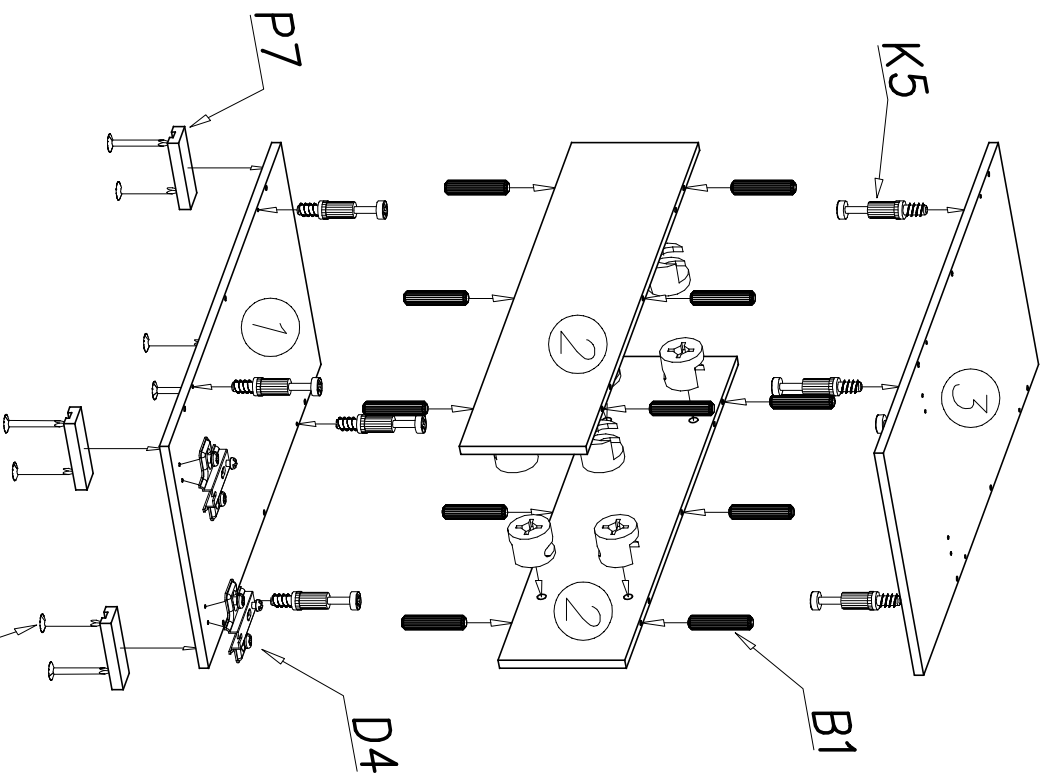
B1		x32
ø8x30		

14

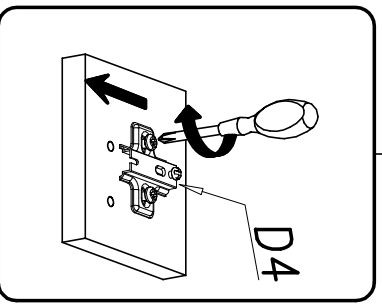
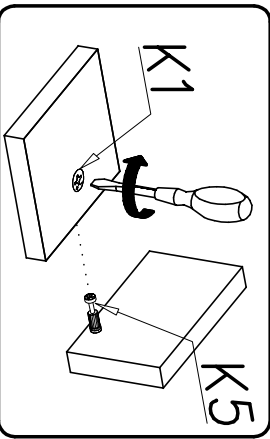
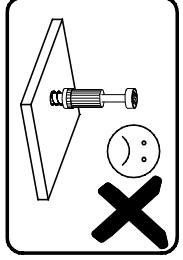
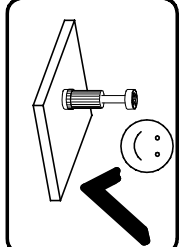
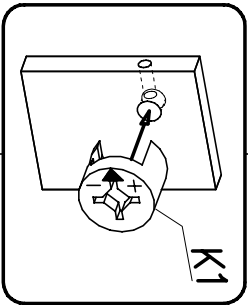
G16	E34	S5	C3	G4	F2
					
4x27	x2	x1	Z35PR	4x16	x12
			x2	x4	



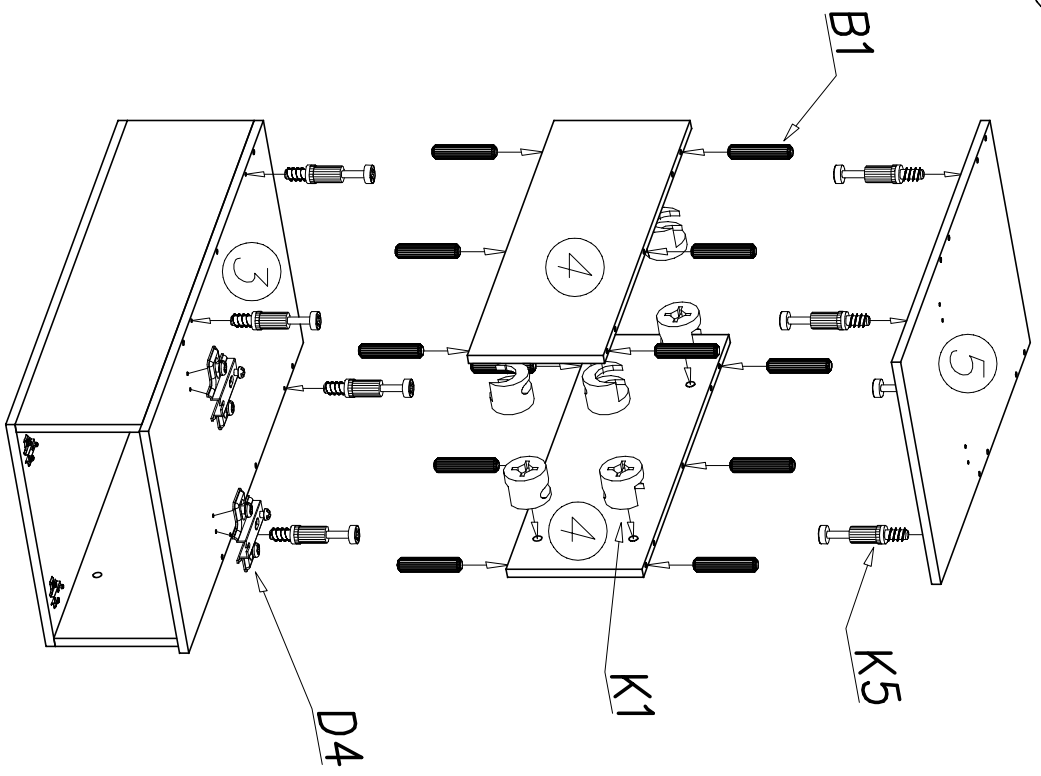
15



B1	P7	K1	K5
Ø8x30 x12	x4	Ø15x12 x8	x8
D4	W4		
x2	x8		

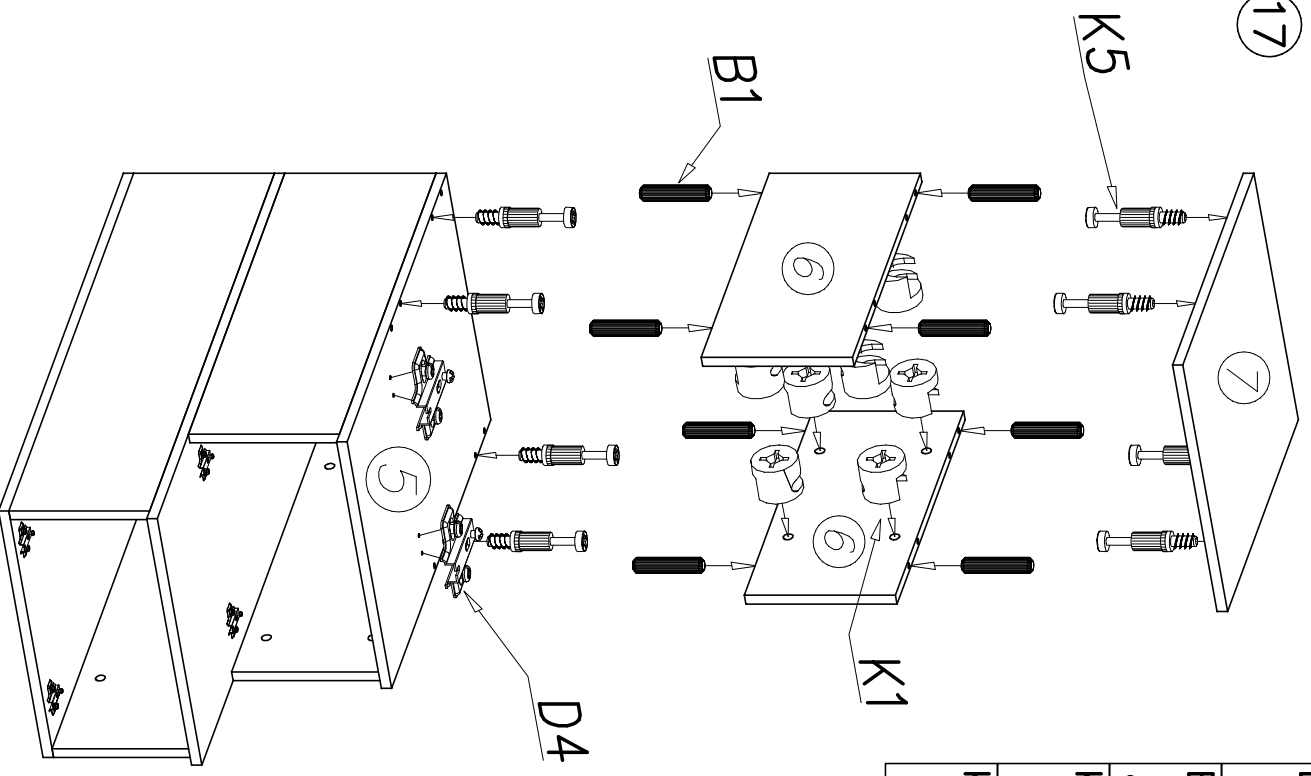


16



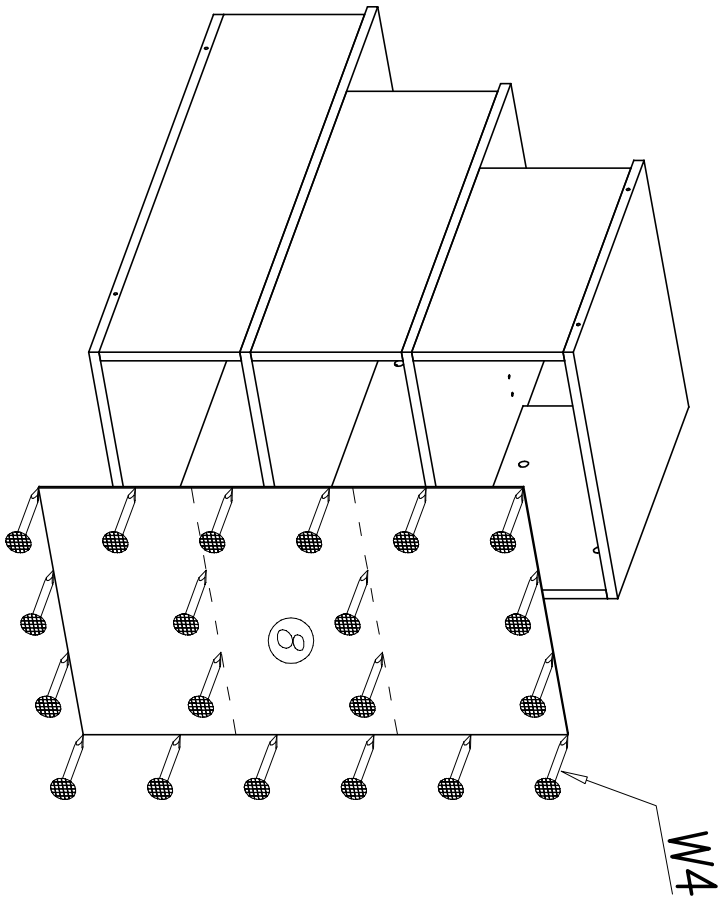
D4	B1	K1	K5
x2	Ø8x30 x12	Ø15x12 x8	x8

17

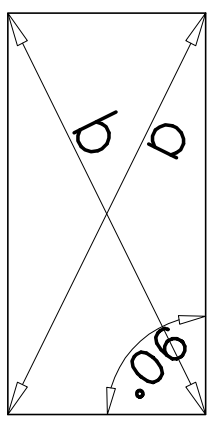


D4		x2
B1		x8
K1		x8
K5		x8

18

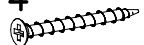




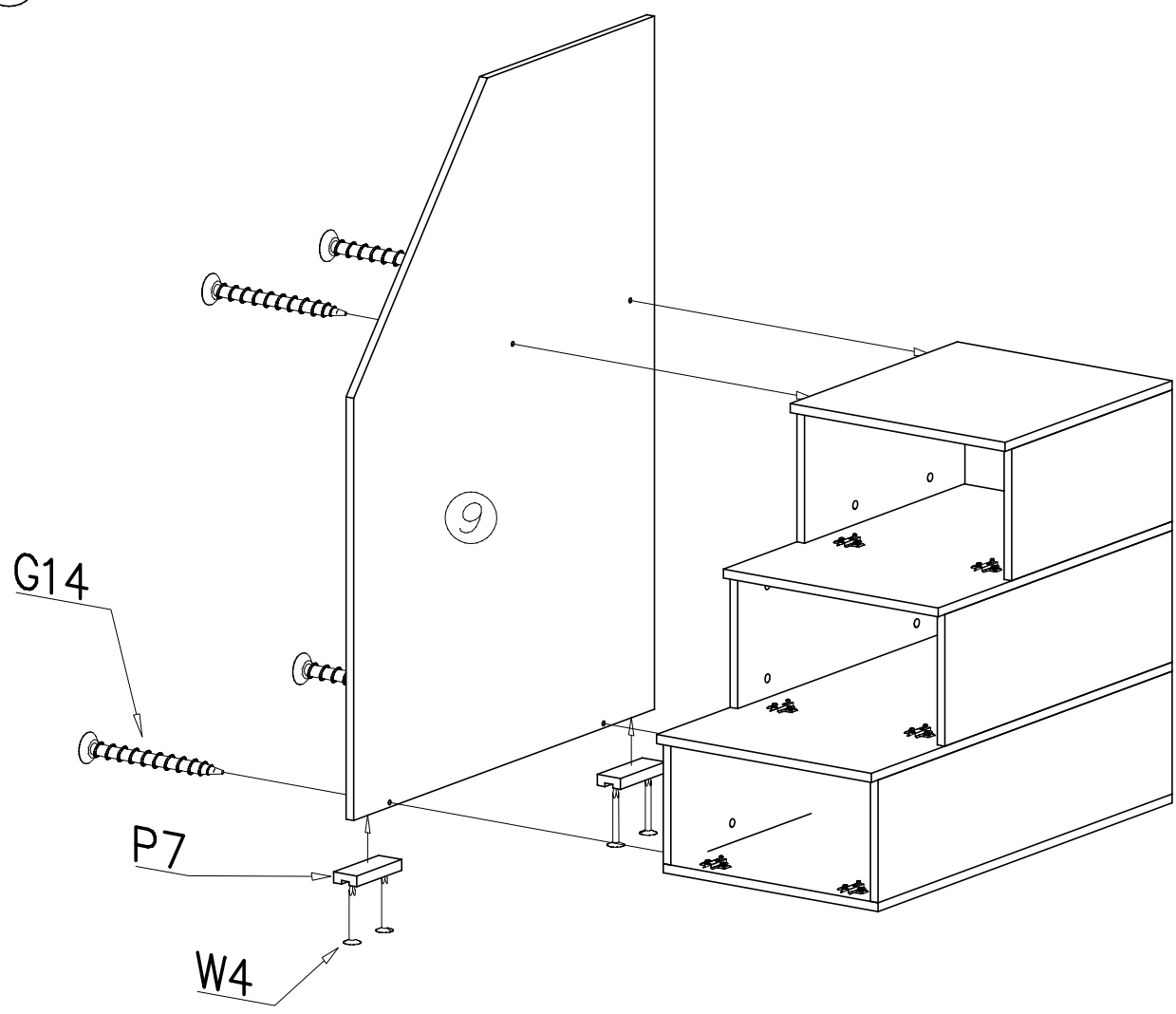
W4		x20
----	--	-----




a = b

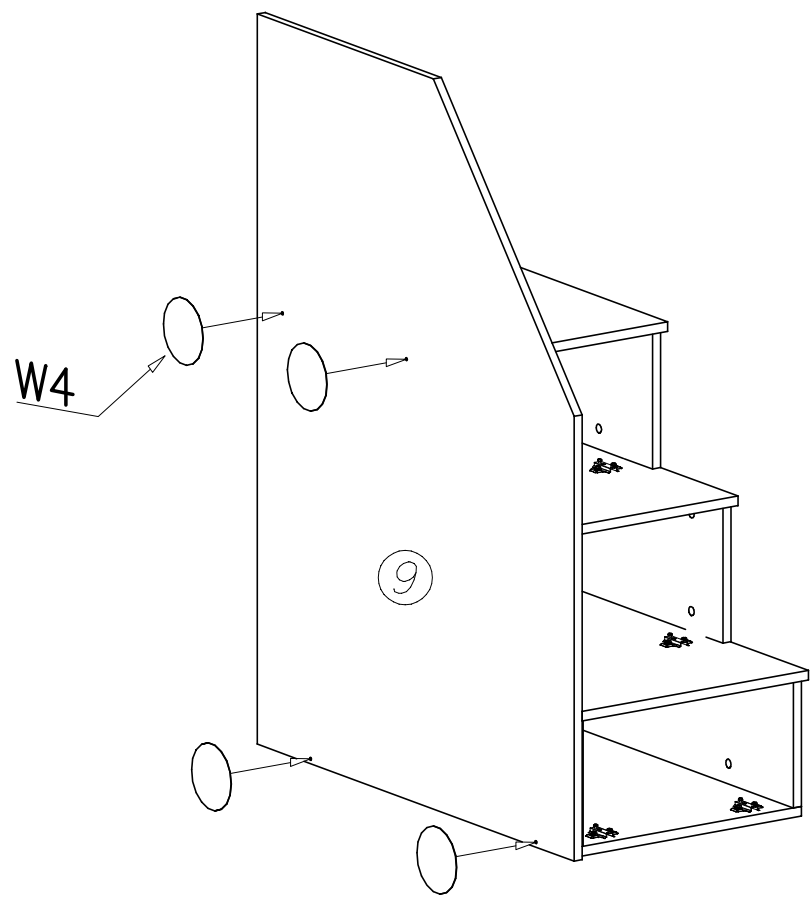
19

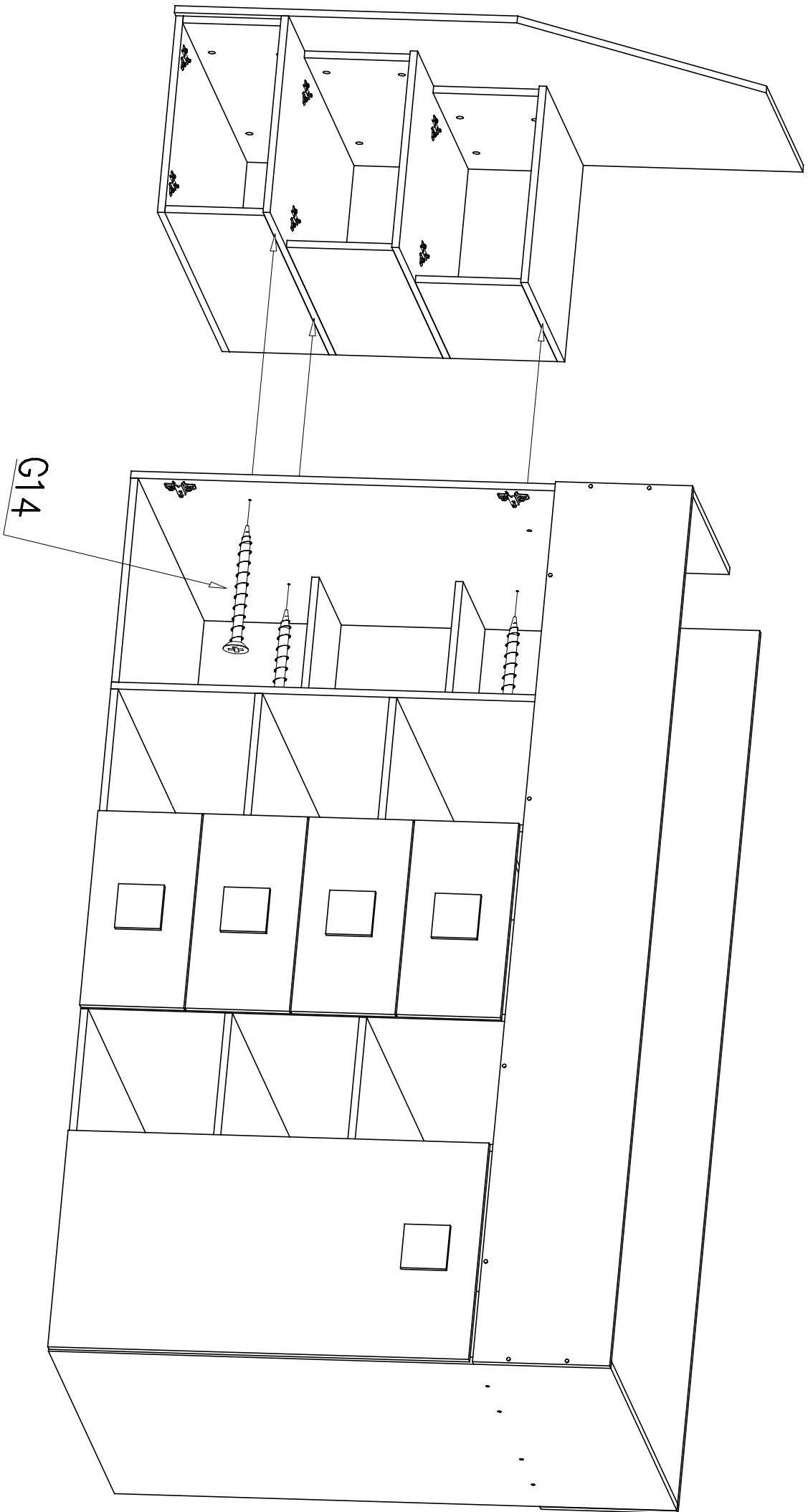
- G14  3,5x45 x4
- P7  x2
- W4  x4



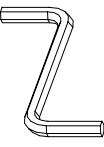

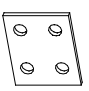

20

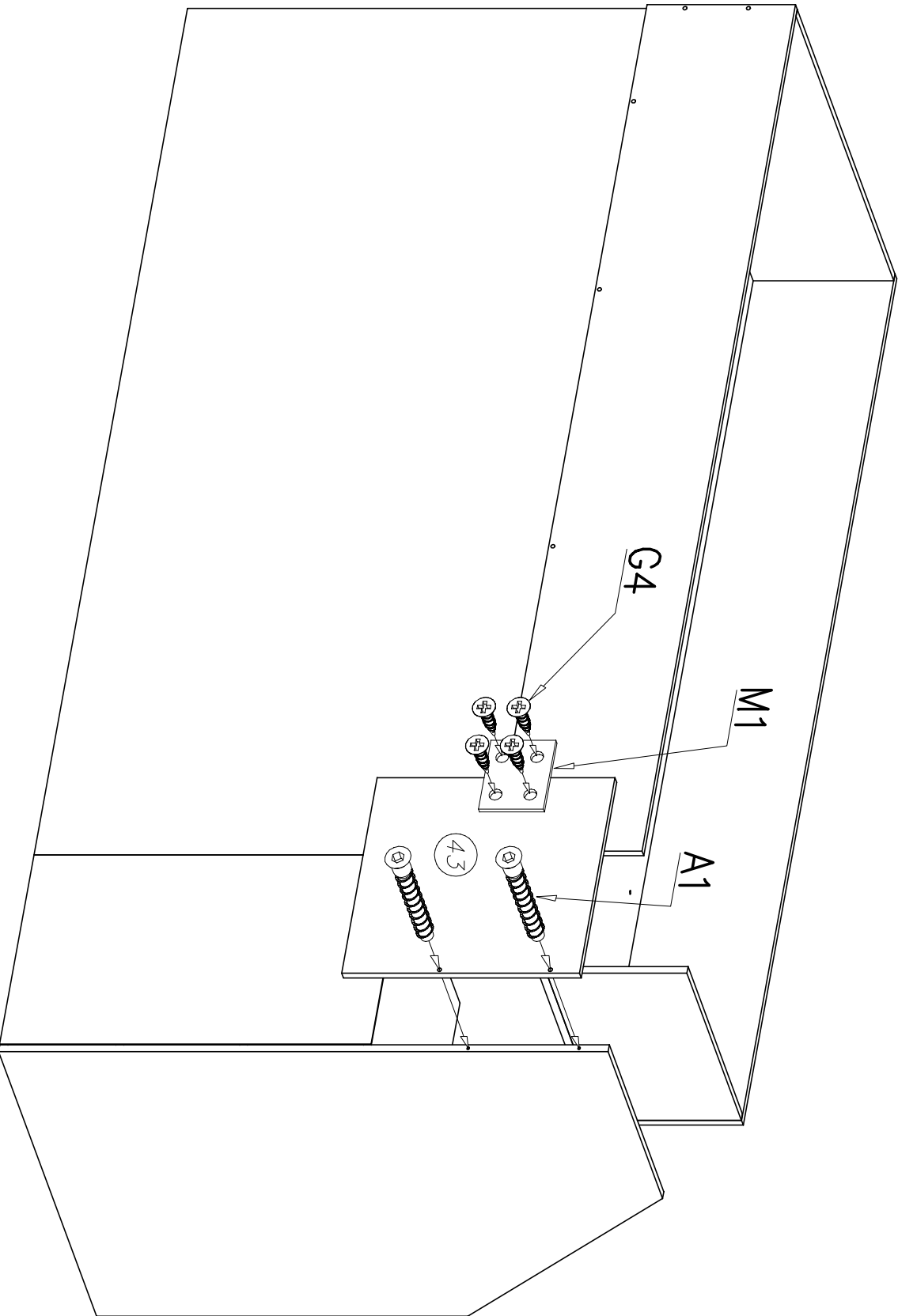
- I10  x4

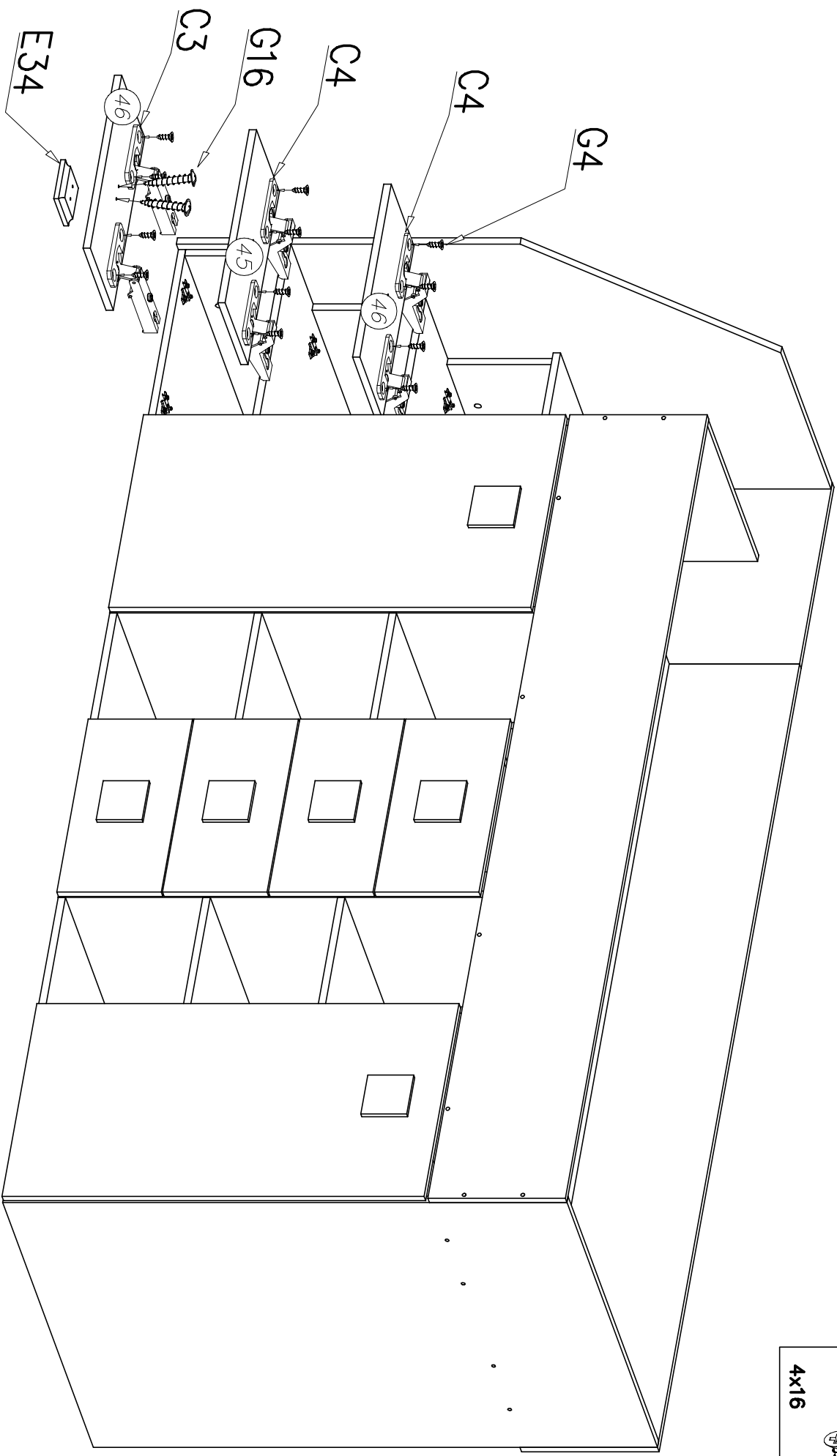




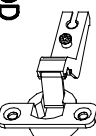


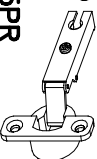

G14
3,5x45 X3

W2 4mm		A1 ø7x50		M1		G4 4x16	
	X1	X2	X2	X1	X1	X4	





G16		E34		C4	
4x27	x6	x3	x4	Z350D	x4

C3		C4	
Z35PR	x2	G4	x12
		4x16	