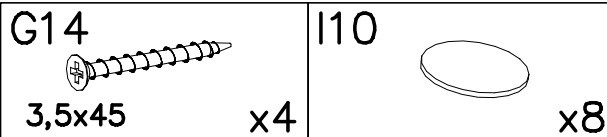
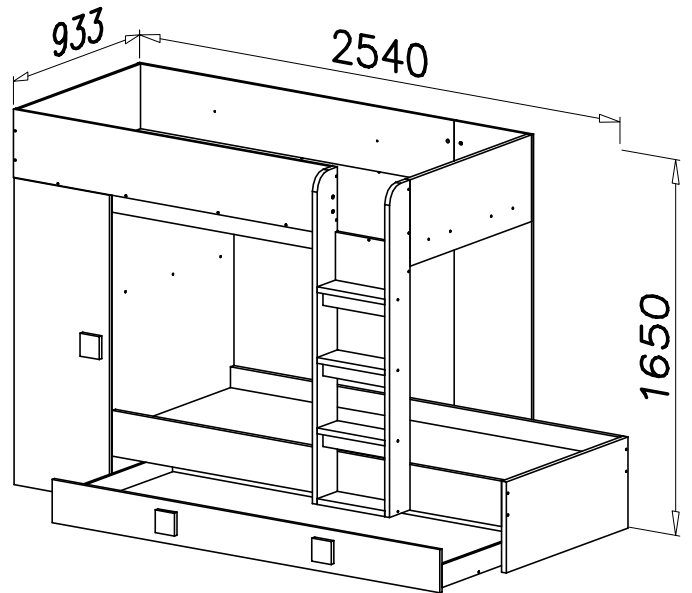
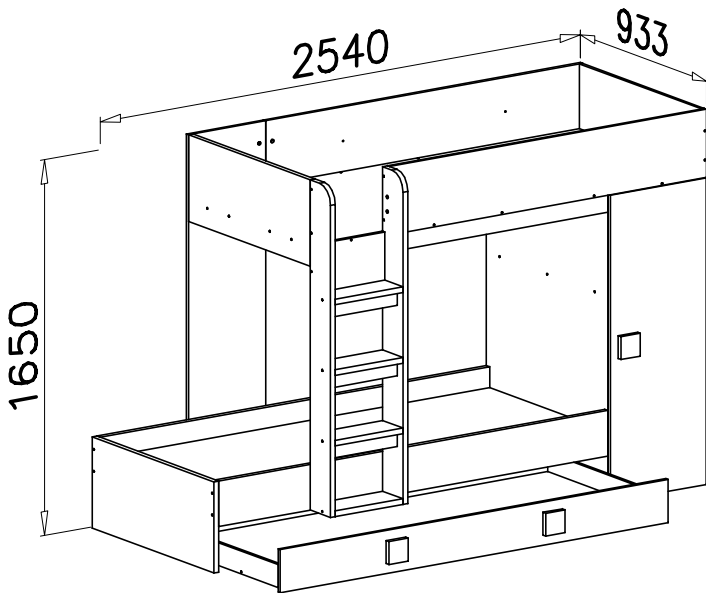

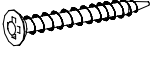

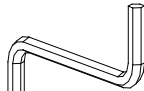


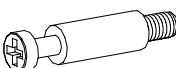
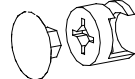

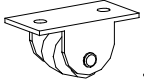
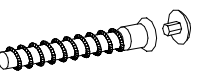


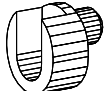
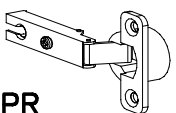

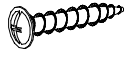
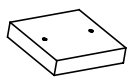
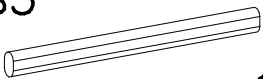
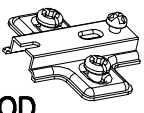


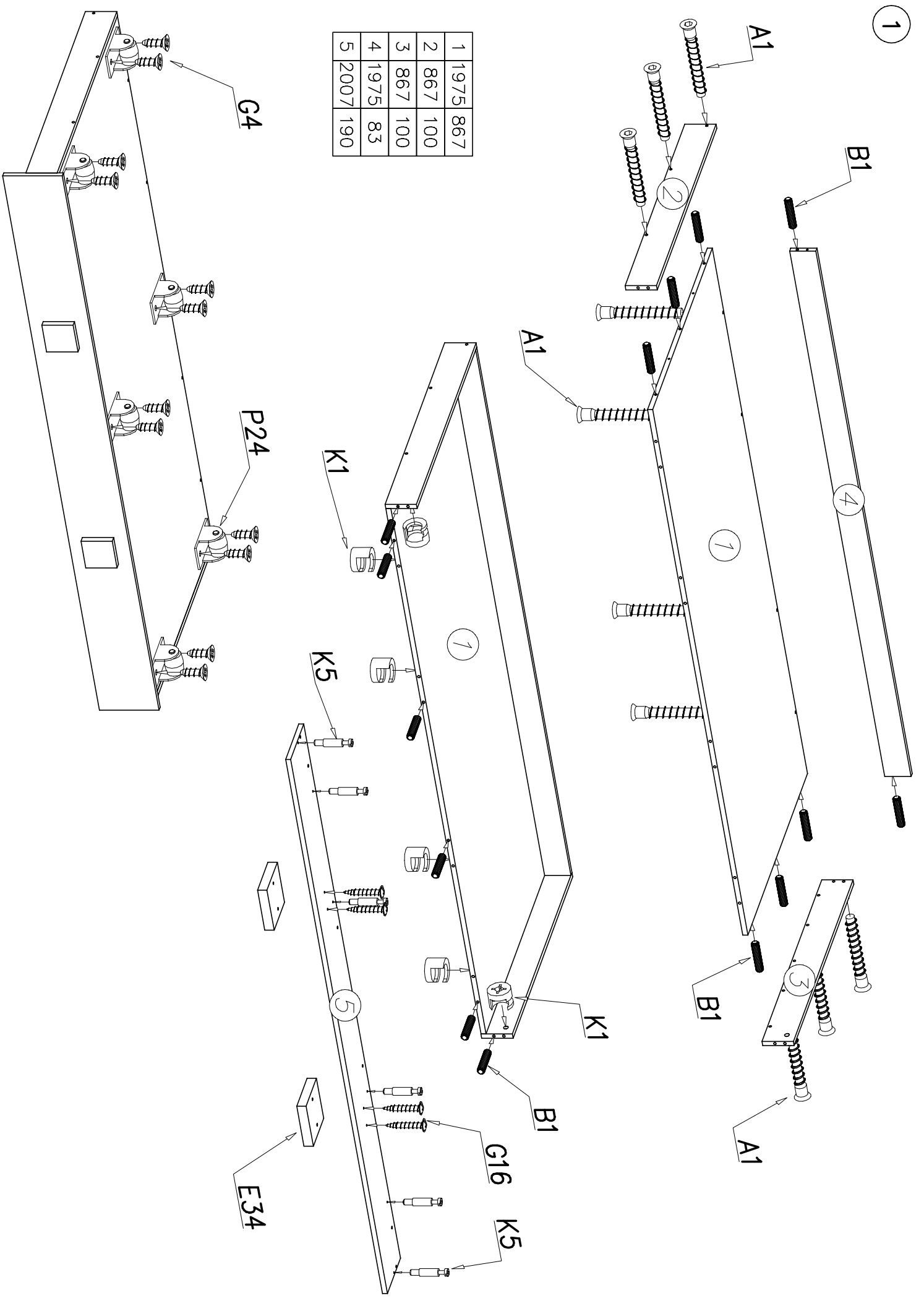
① → ⑫

⑬ → ⑳



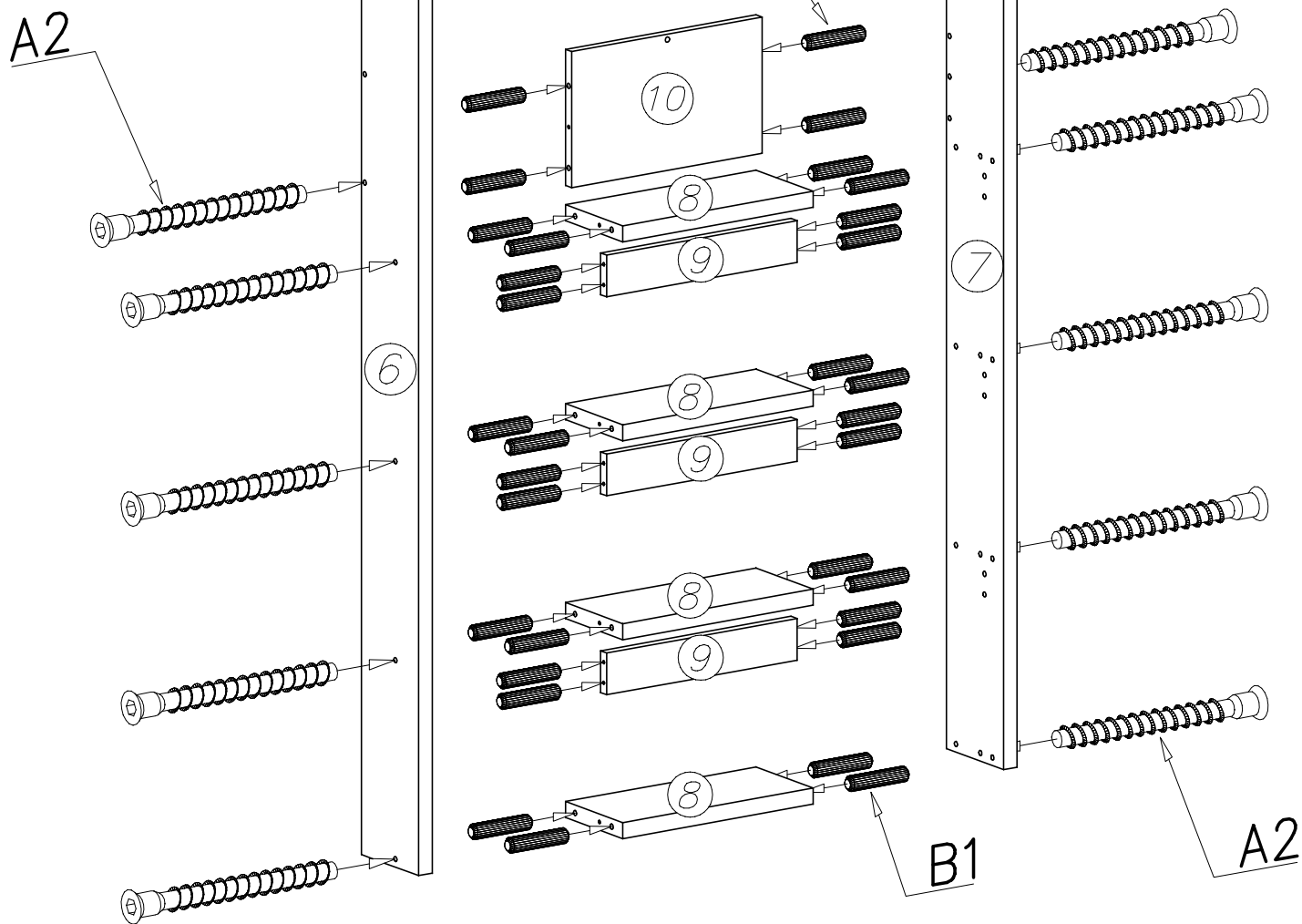
W4  x16	G23  4x40 x16	B1  ø8x35 x116	W2  4mm x1	I8  ø8 x6
A2  ø7x70 x26	K5  x10	K1  ø15x12 x18	K6  x4	P24  x6
A1  ø7x50 x51	G4  4x16 x18	G6  3x12 x2	S4  x2	C3  Z35PR x3
P7  x8	G16  4x27 x6	E34  x3	S5  x1	D4  PZ350D x3

1



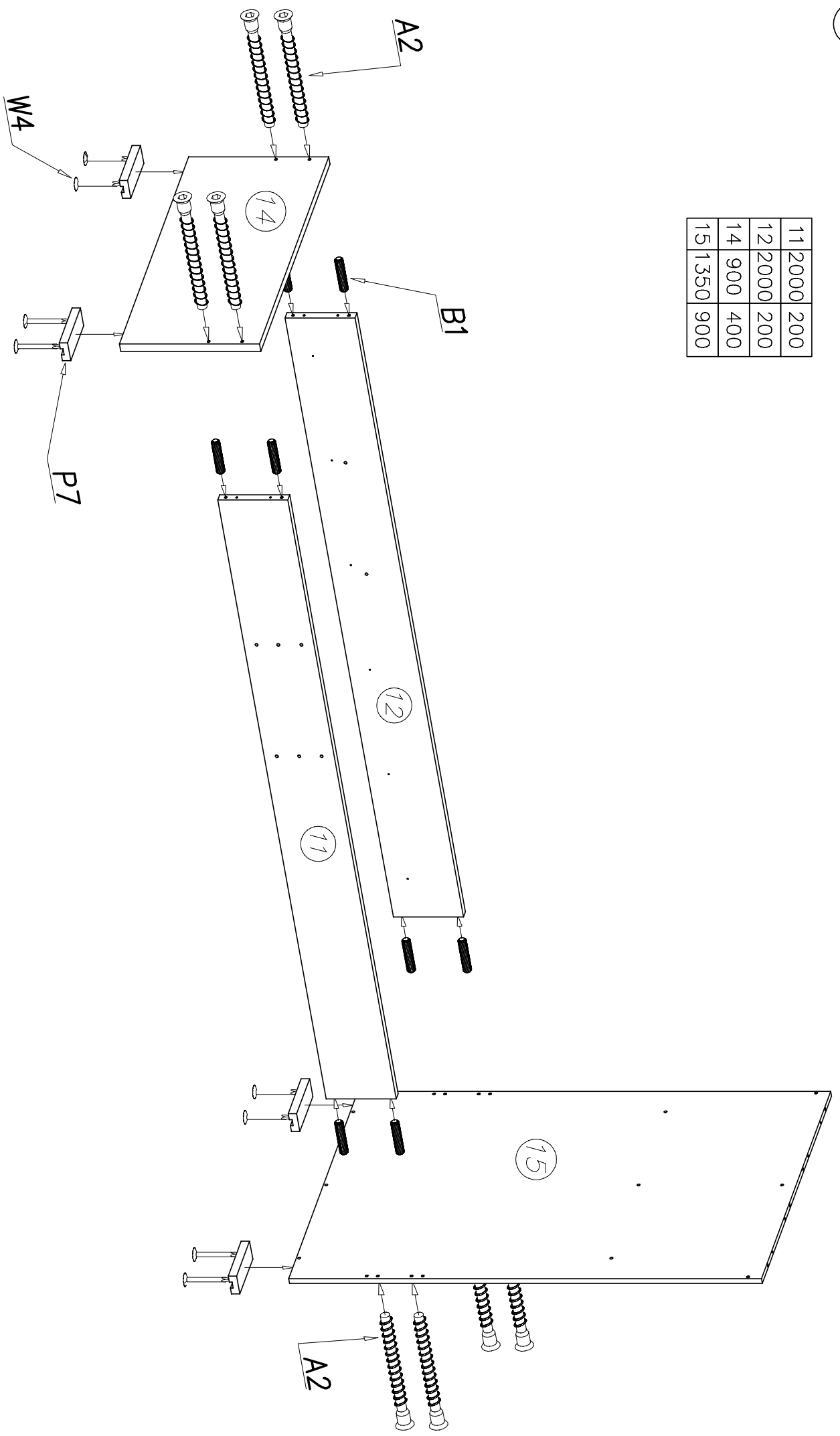
1	1975	867
2	867	100
3	867	100
4	1975	83
5	2007	190

2

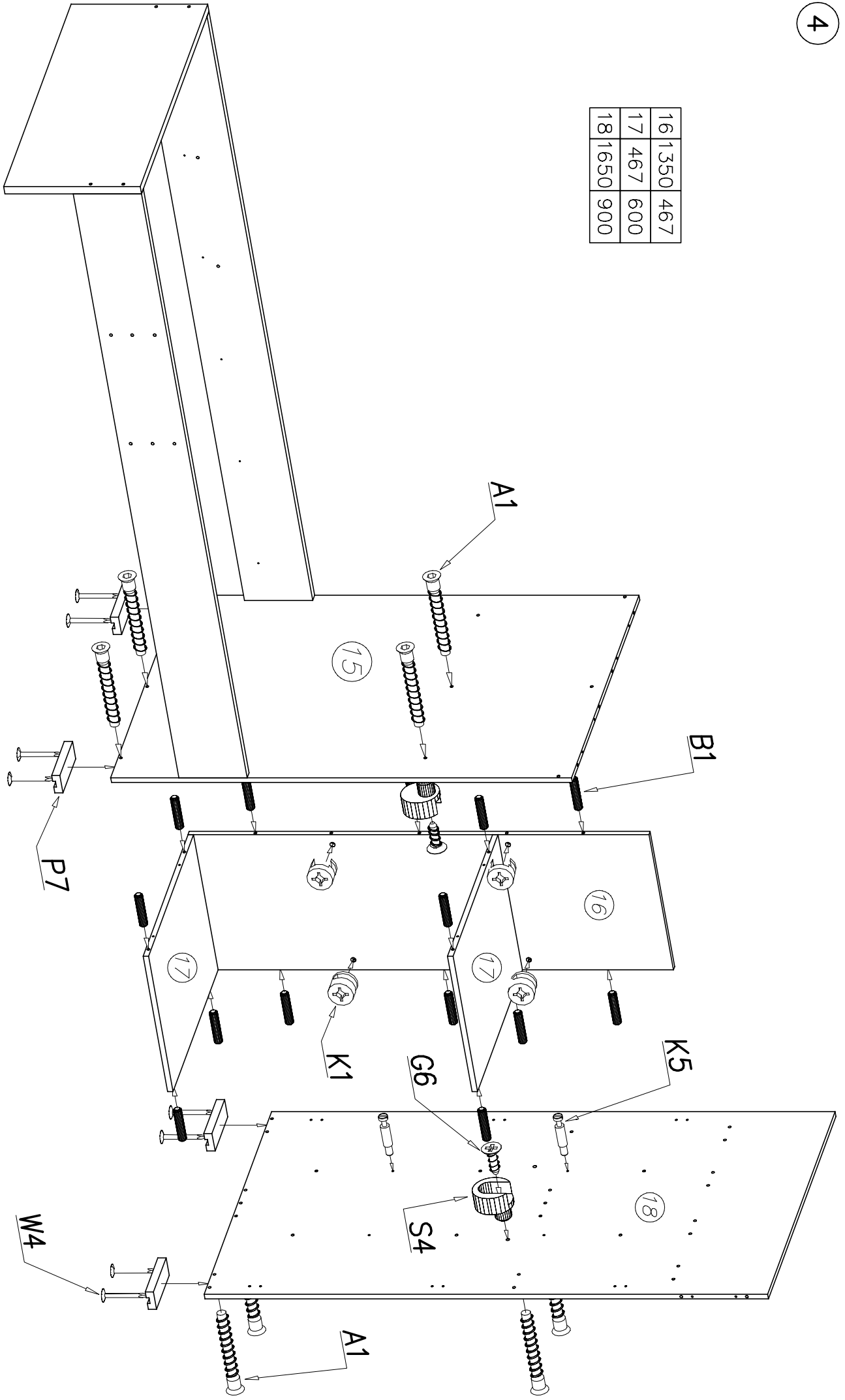


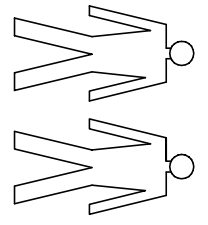
6	1450	150
7	1450	150
8	350	150
9	350	65
10	350	212

11	2000	200
12	2000	200
14	900	400
15	1350	900

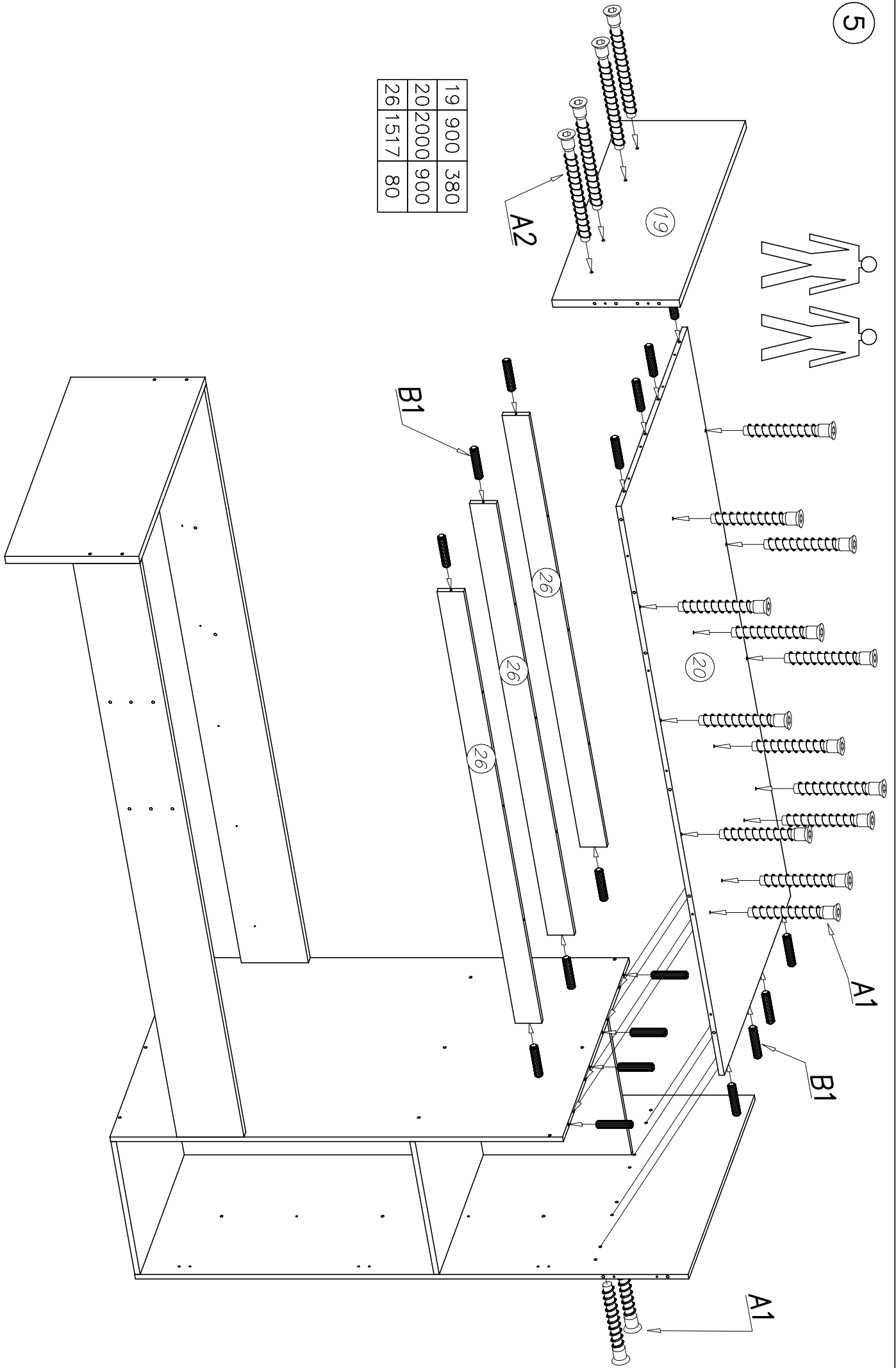


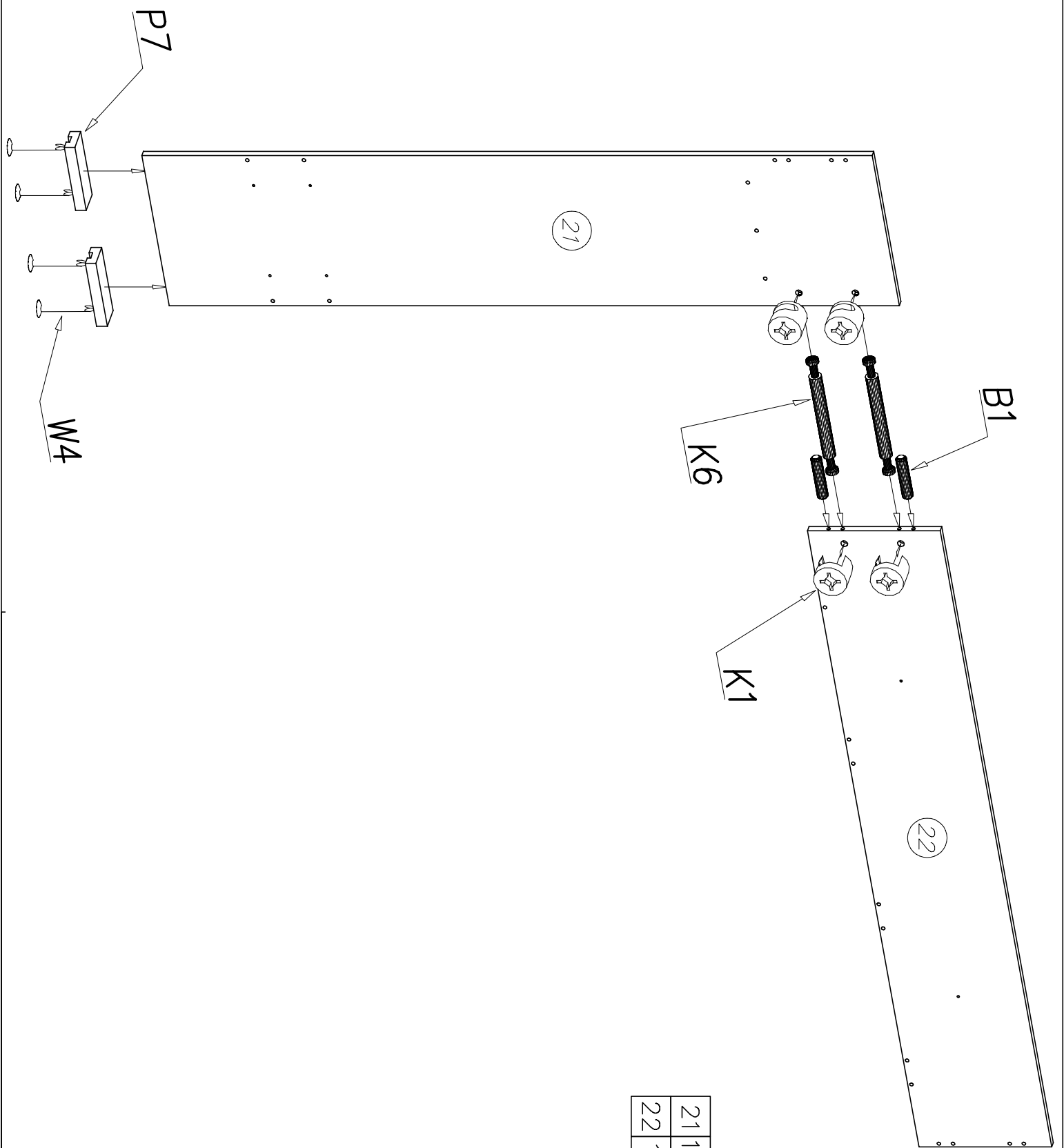
16	1350	467
17	467	600
18	1650	900



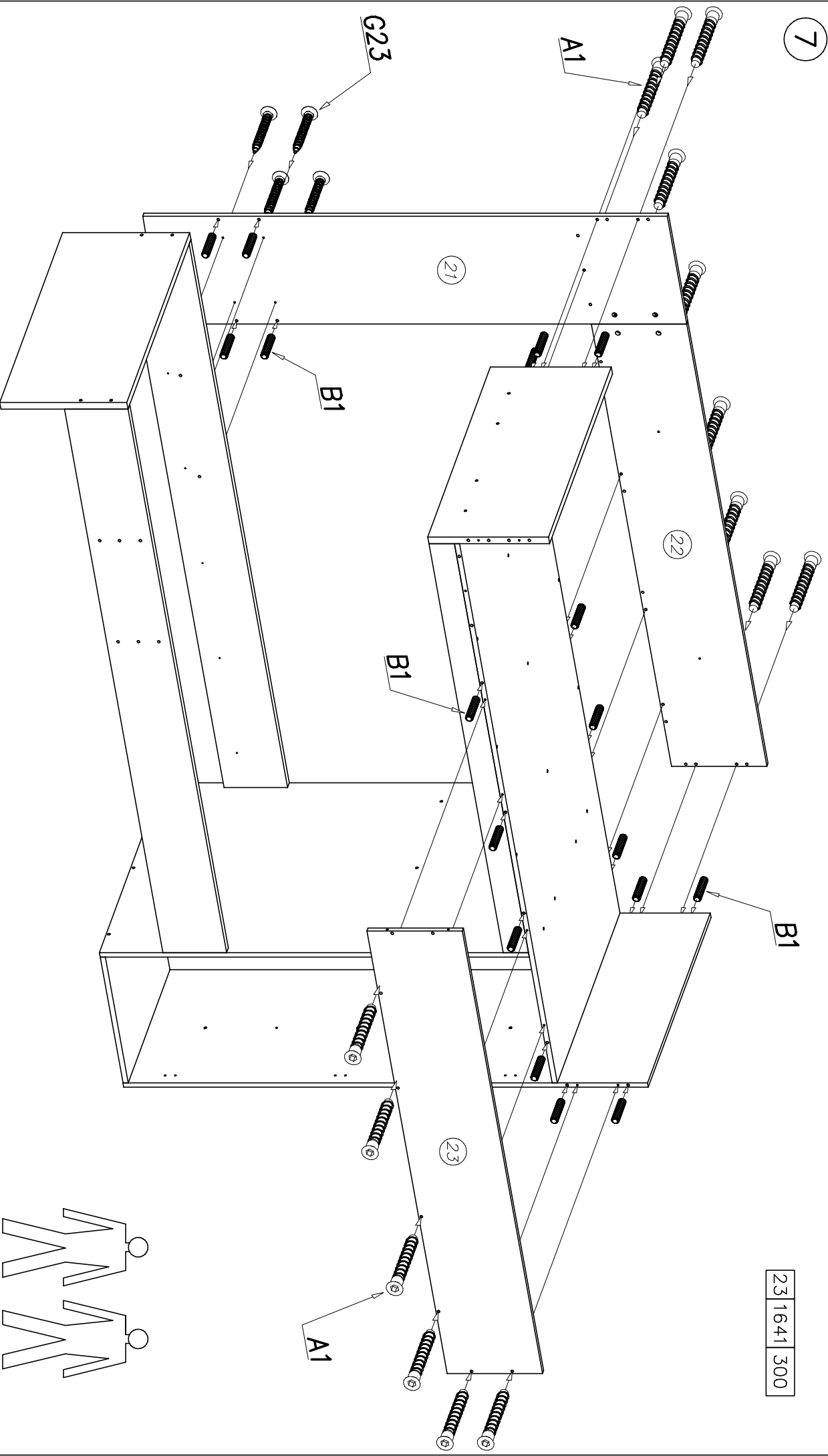


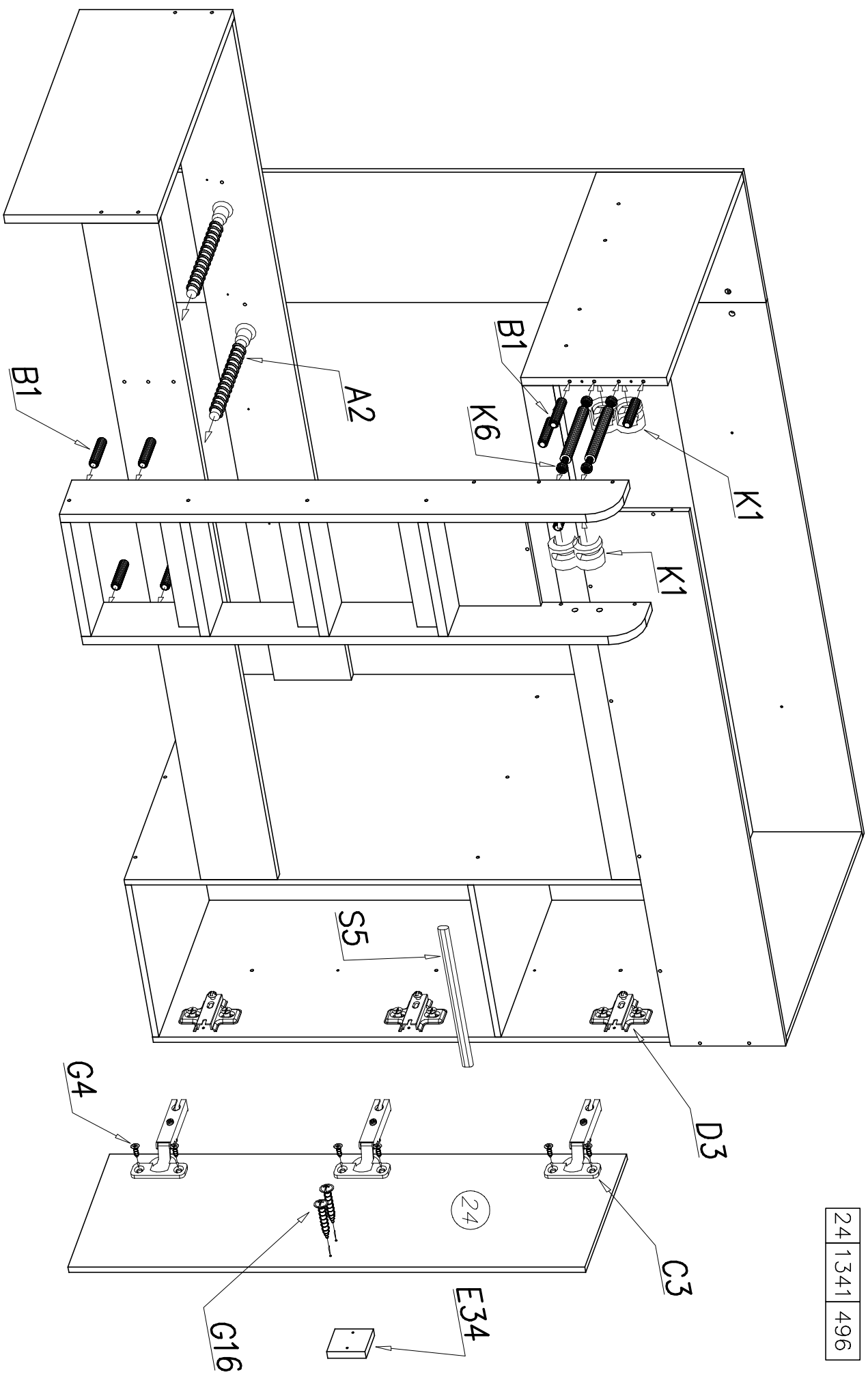
19	900	380
20	2000	900
26	1517	80

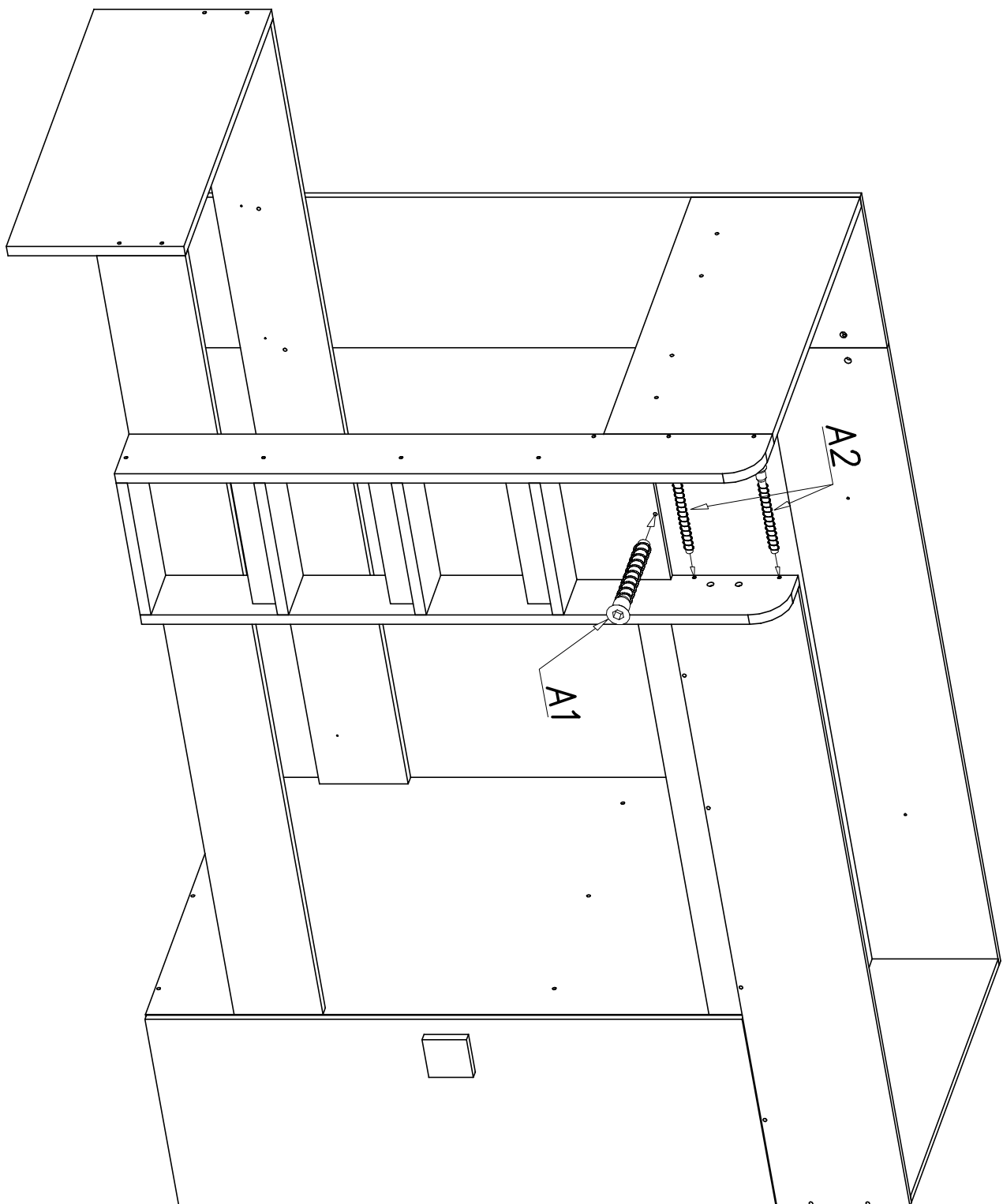




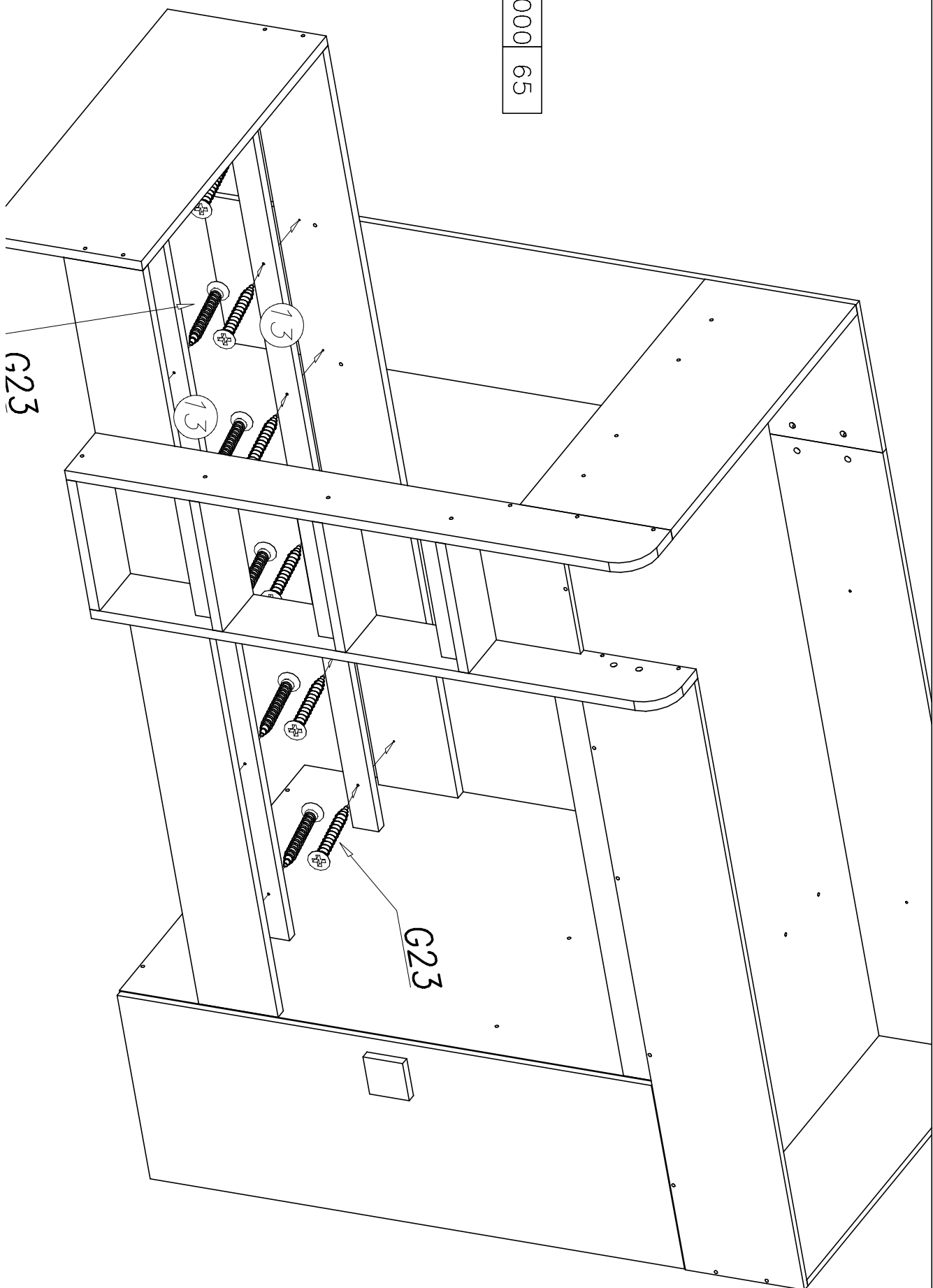
21	1650	400
22	1641	300



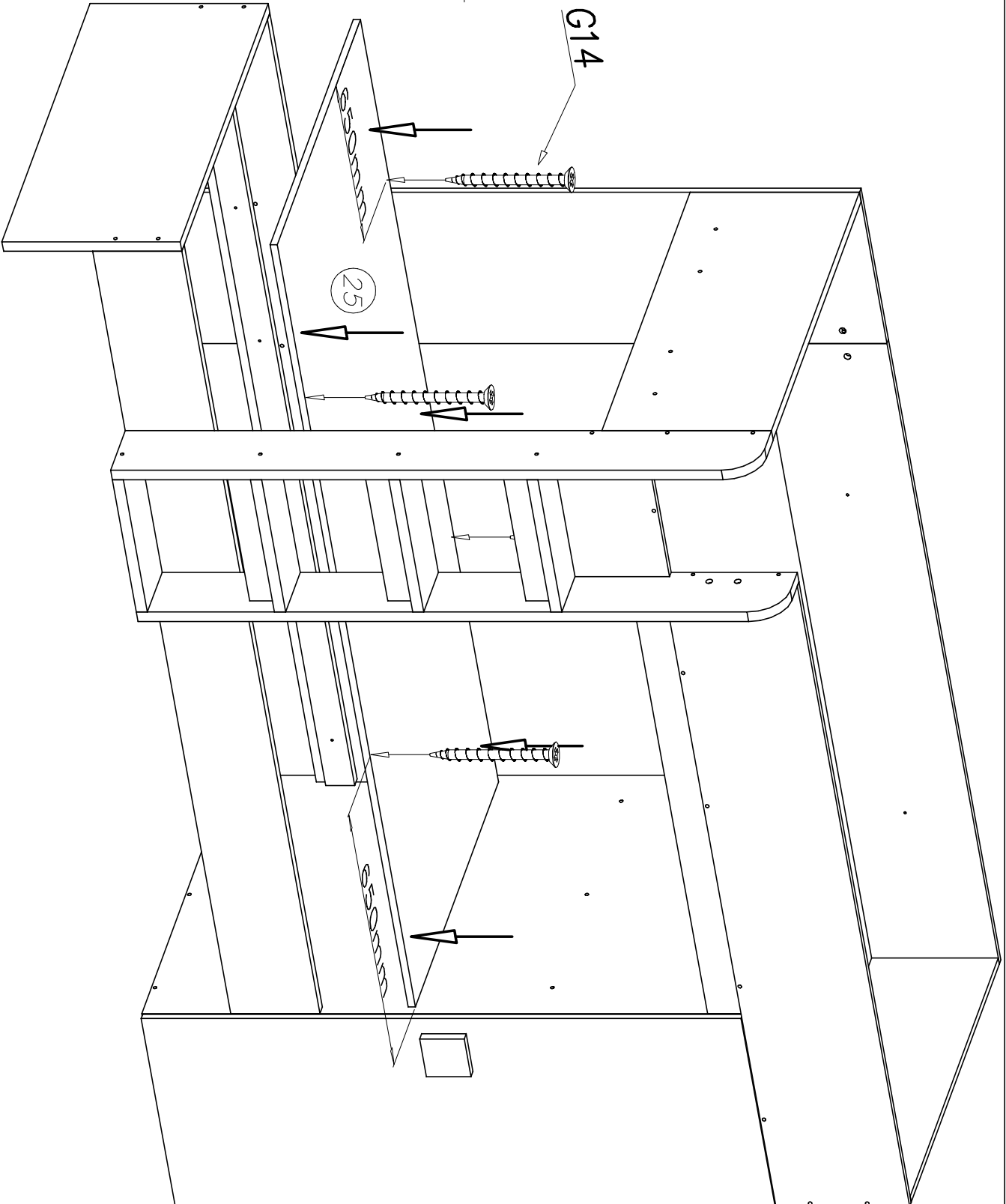
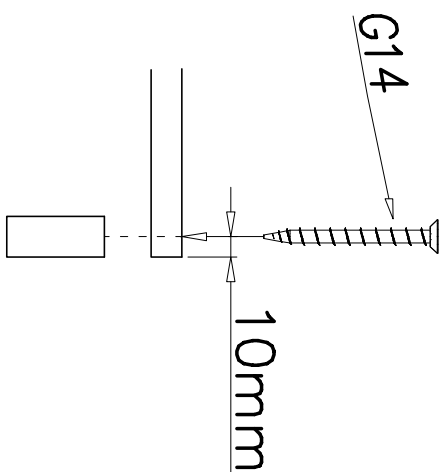


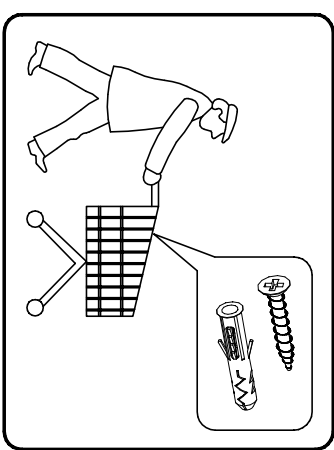
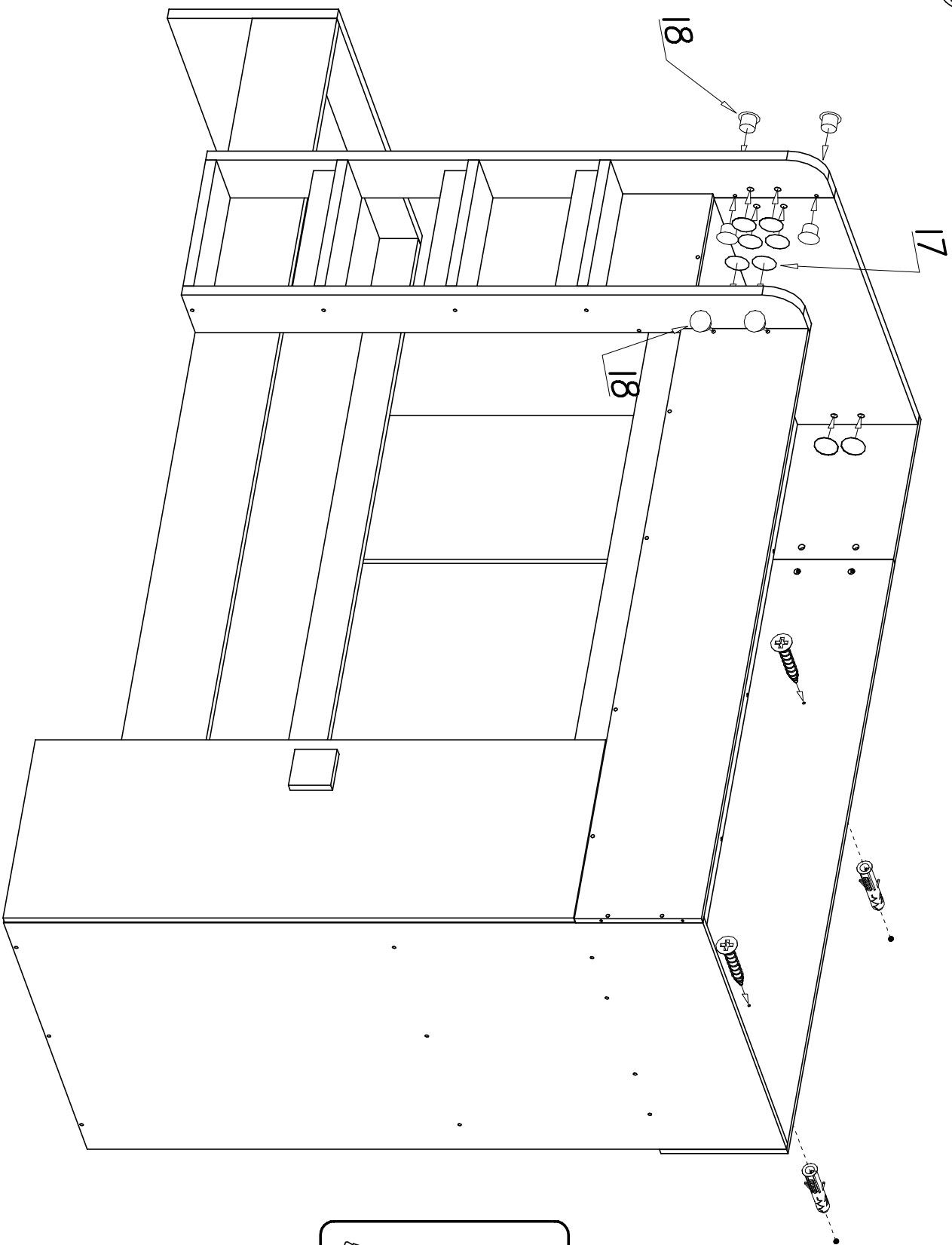


13 2000 65

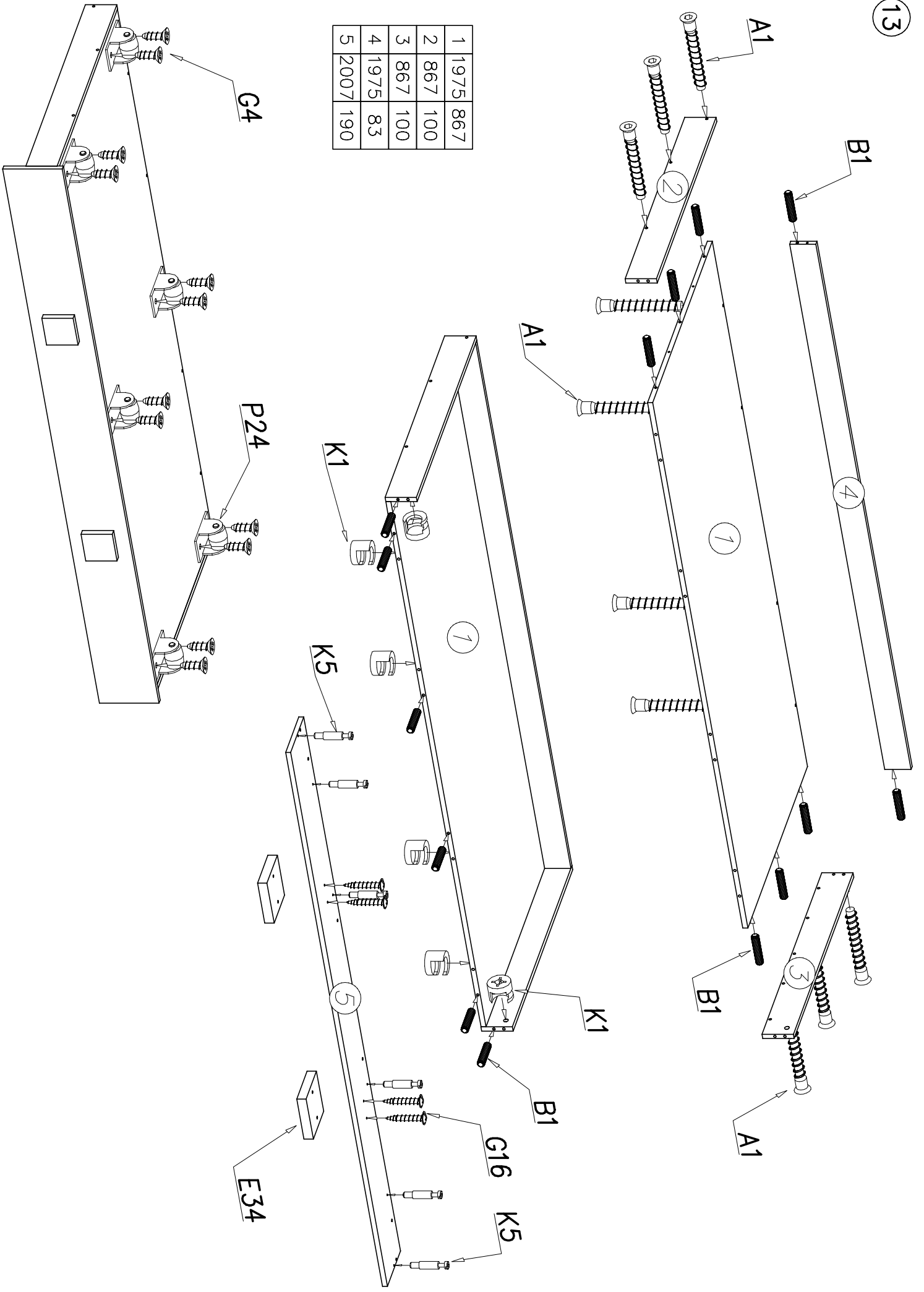


25 1900 850



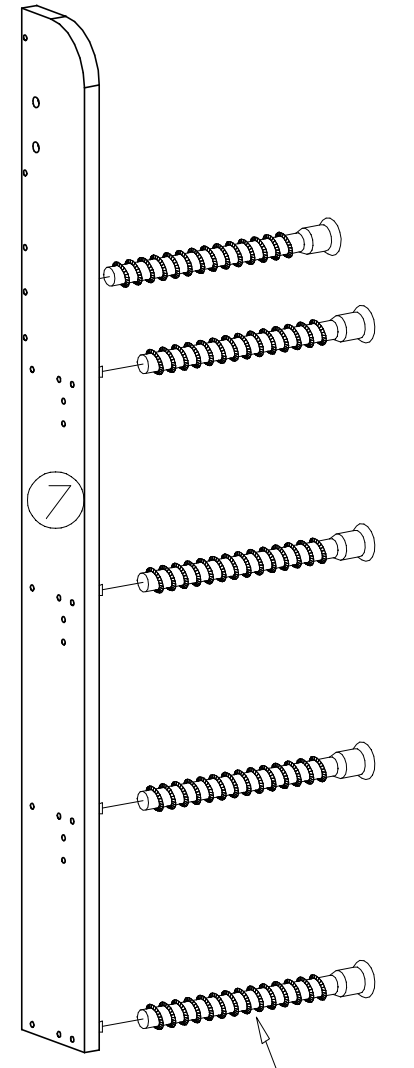
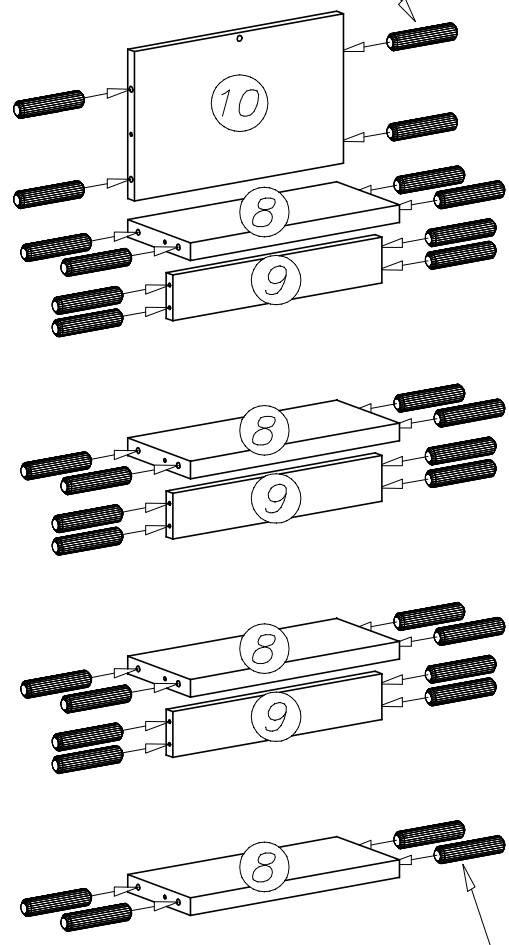
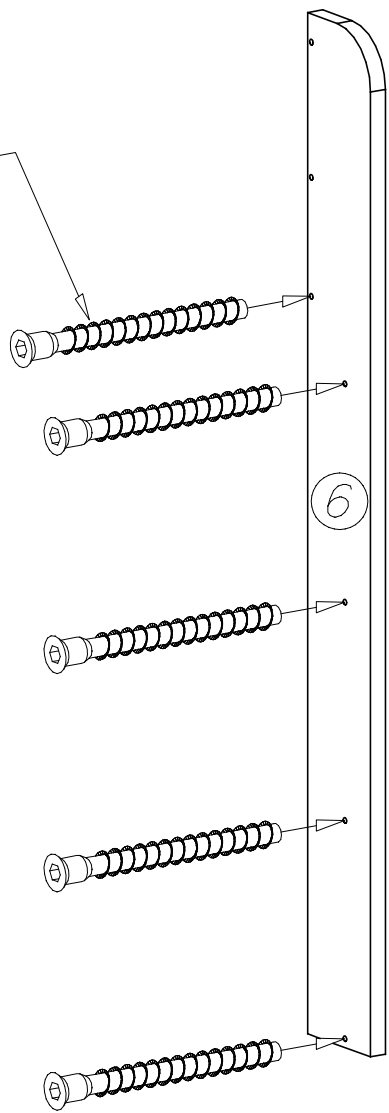


1	1975	867
2	867	100
3	867	100
4	1975	83
5	2007	190



A2

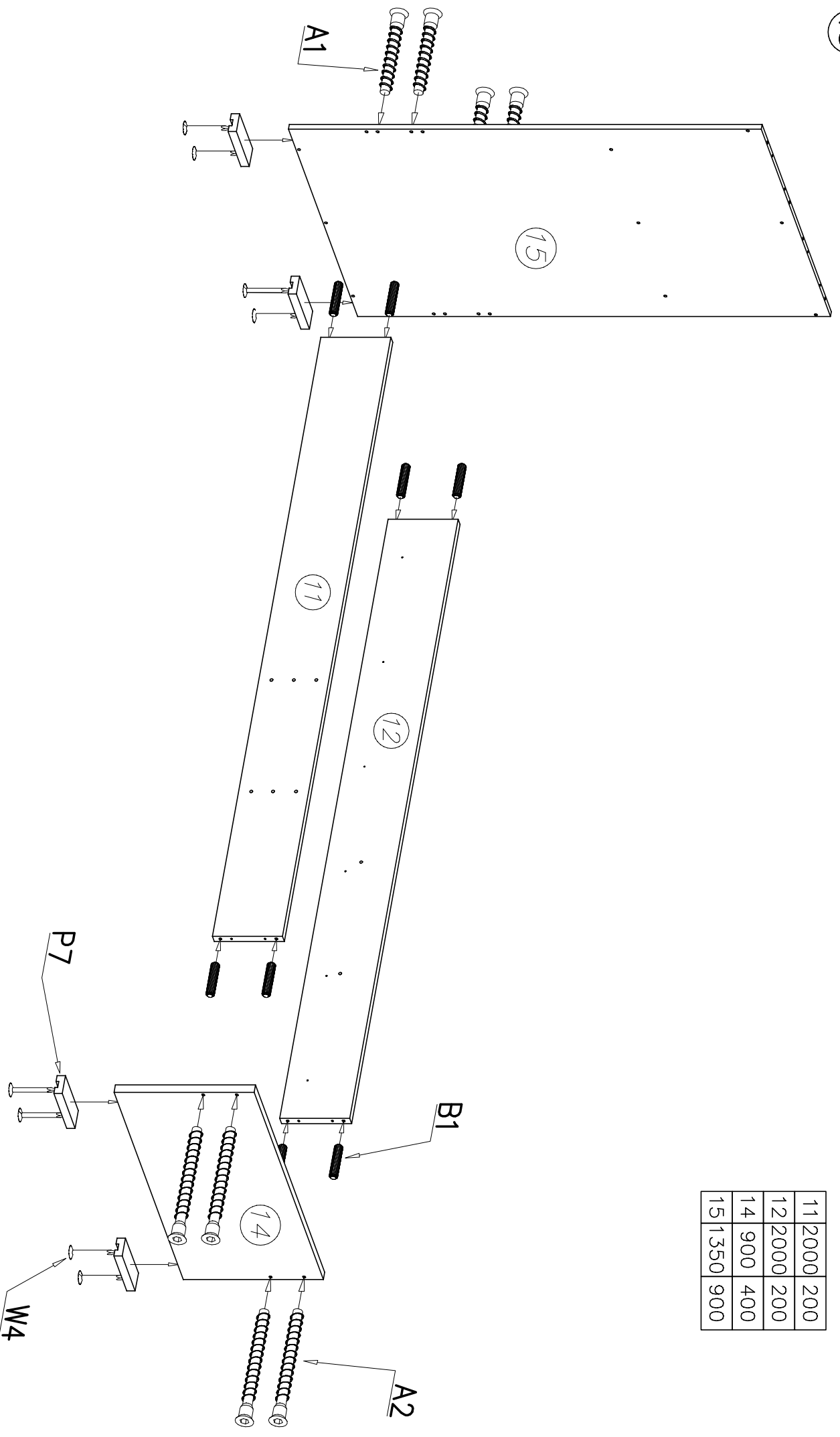
B1



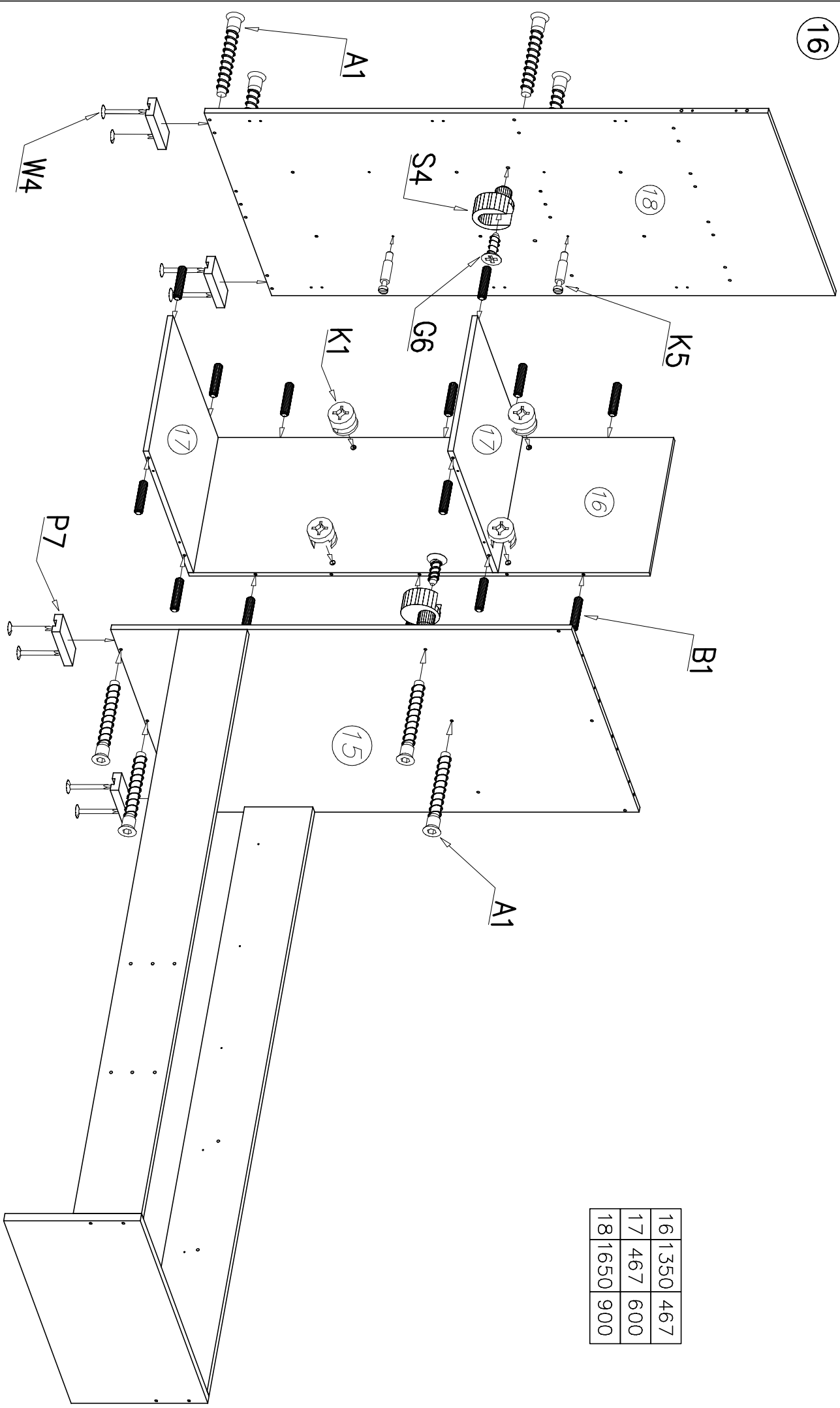
B1

A2

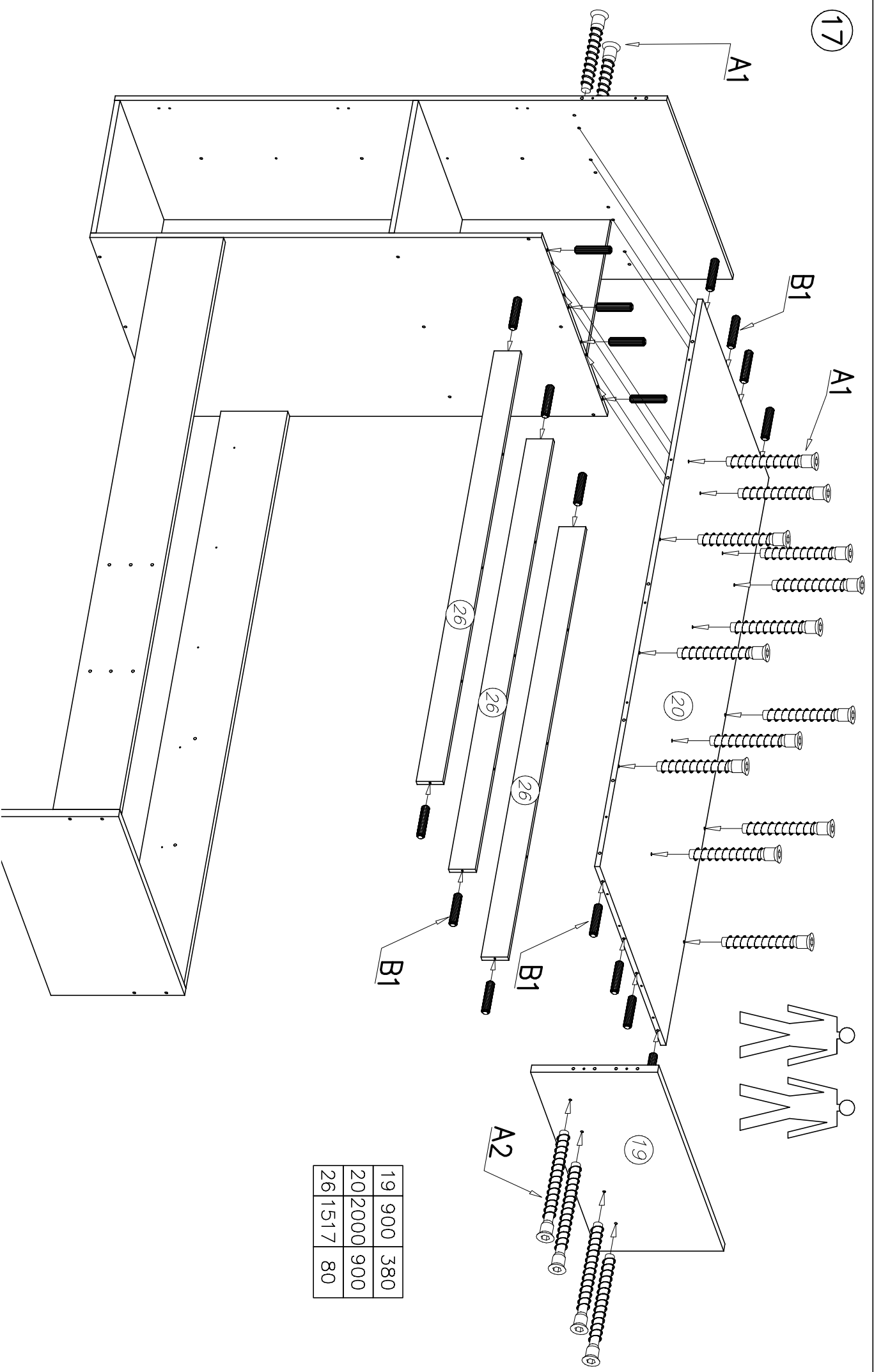
6	1450	150
7	1450	150
8	350	150
9	350	65
10	350	212



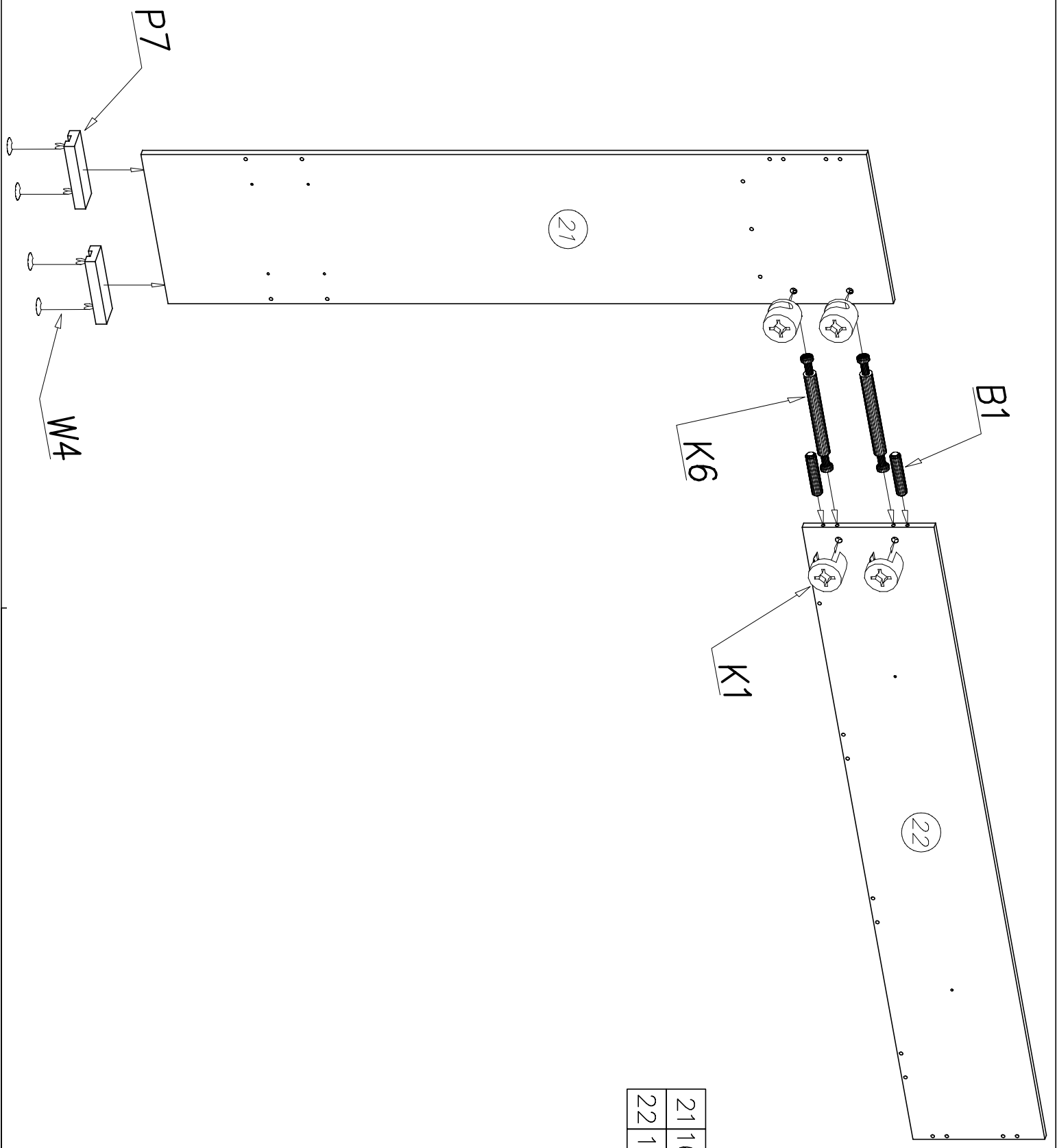
11	2000	200
12	2000	200
14	900	400
15	1350	900



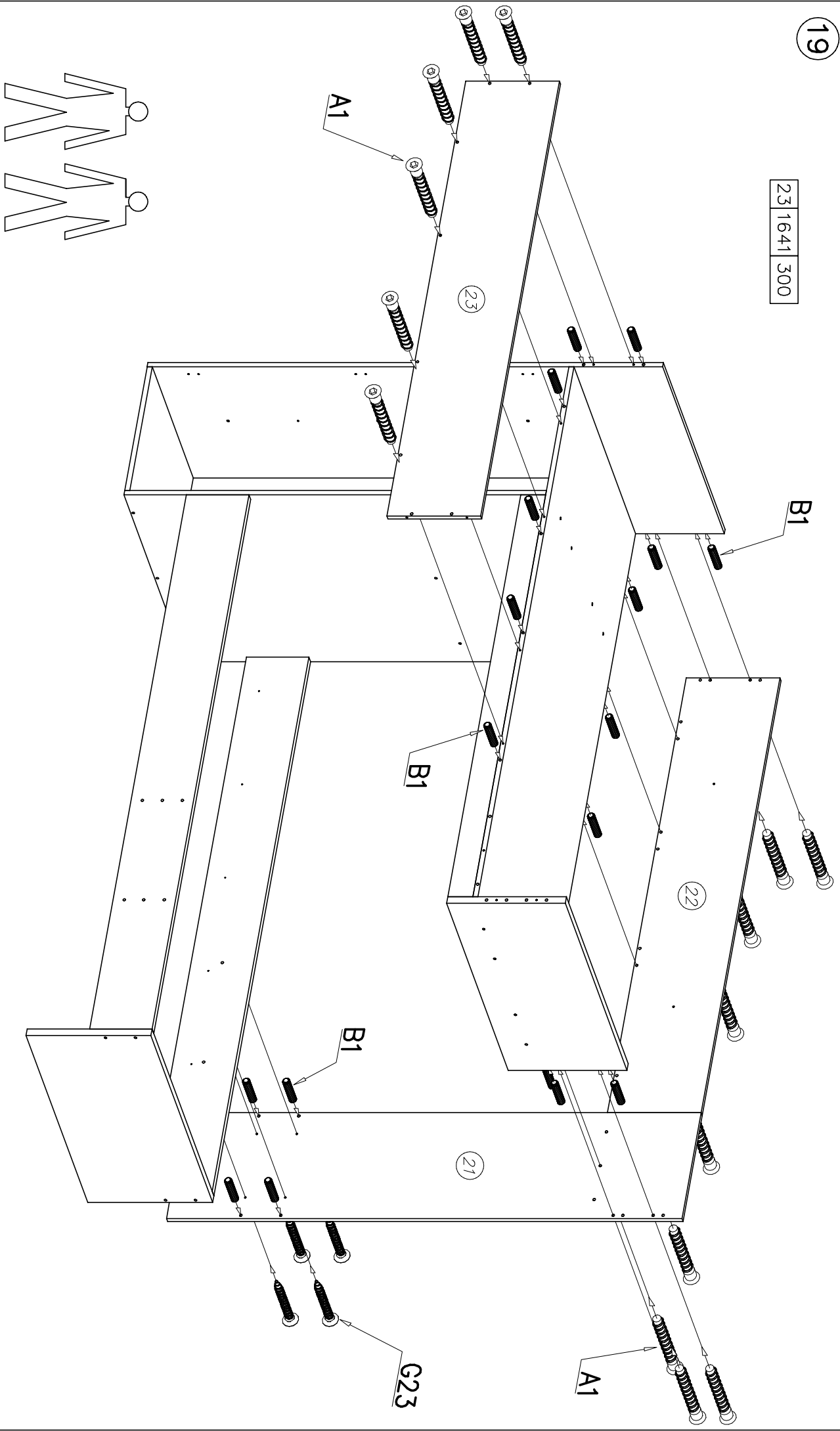
16	1350	467
17	467	600
18	1650	900

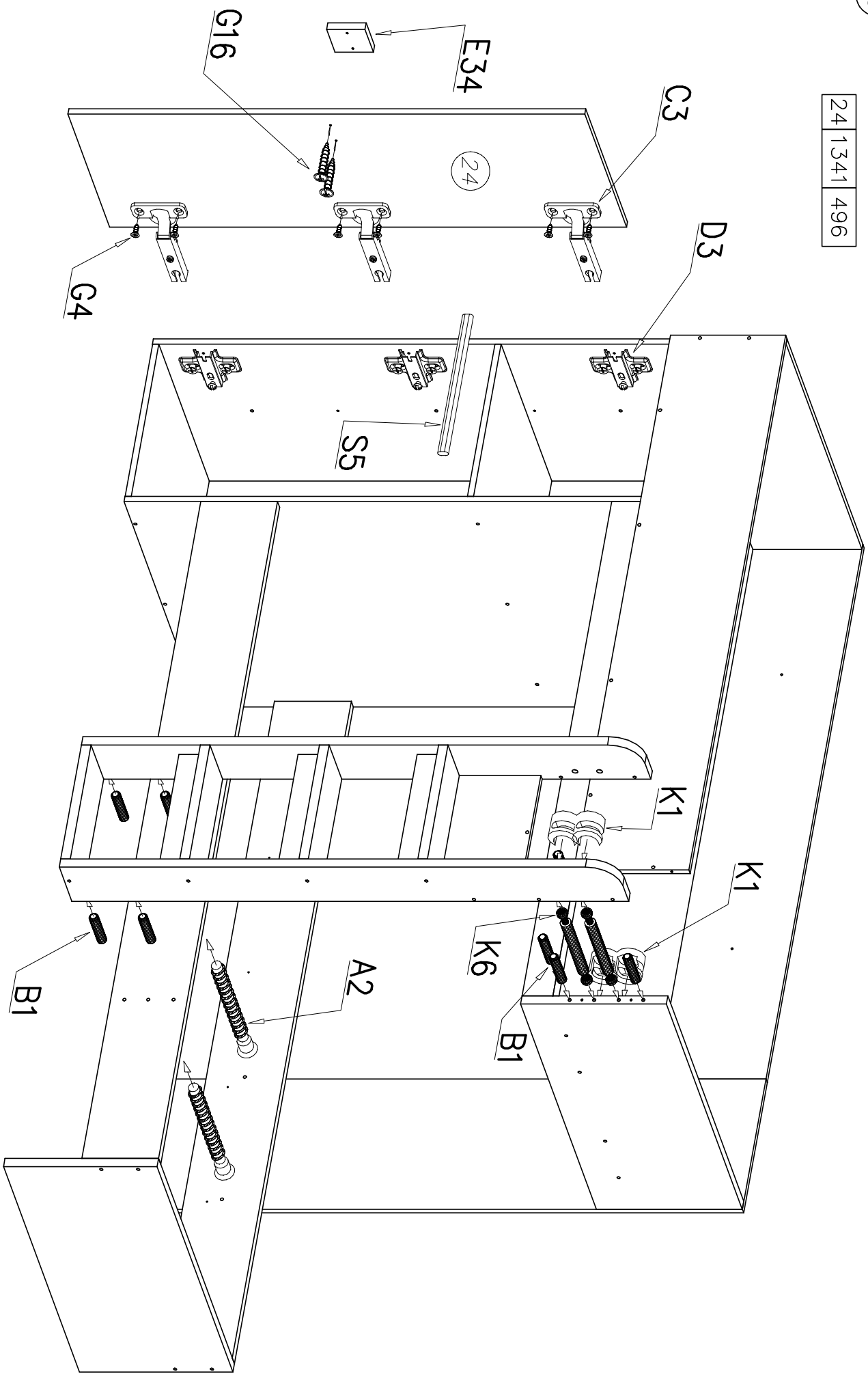


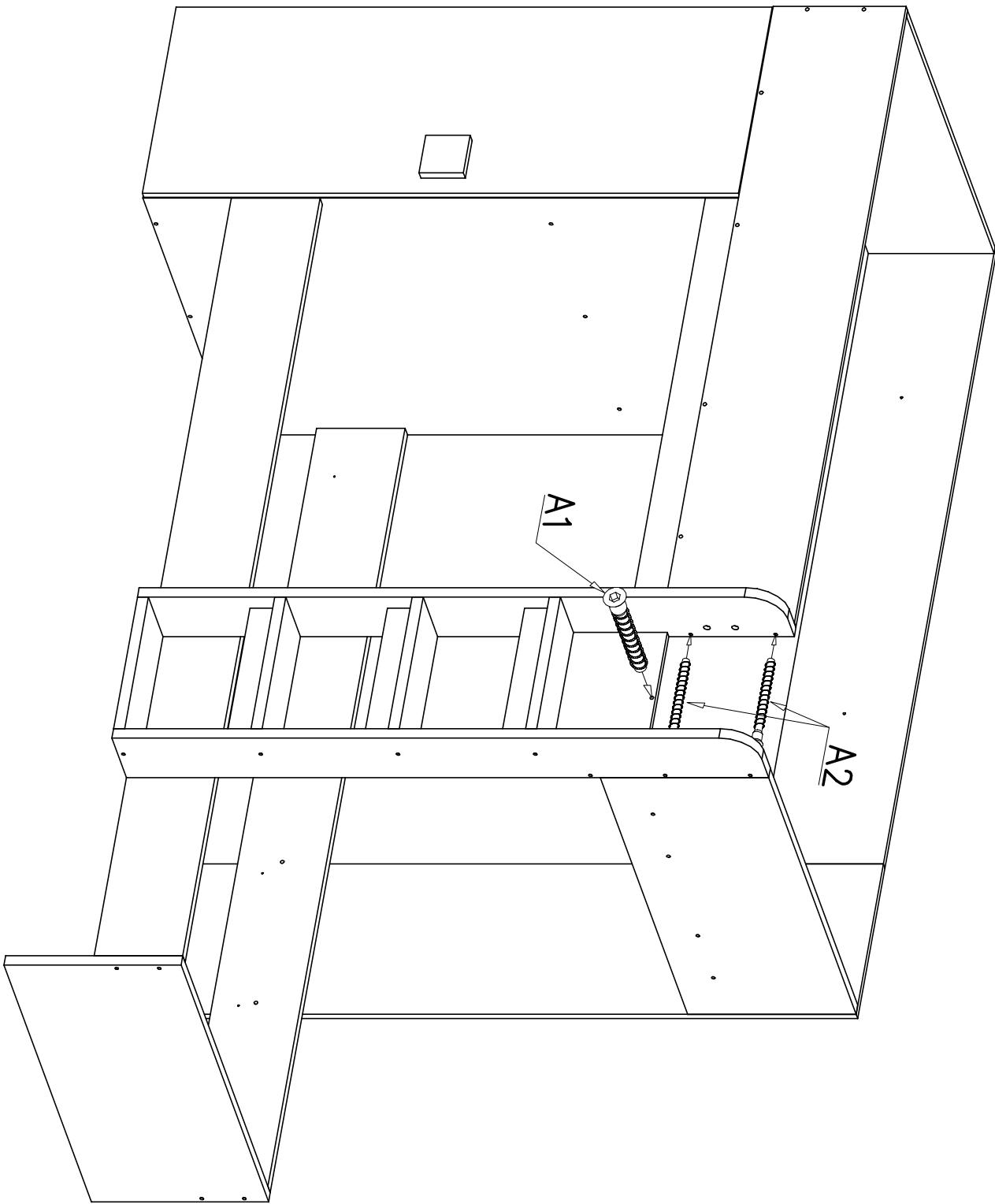
19	900	380
20	2000	900
26	1517	80

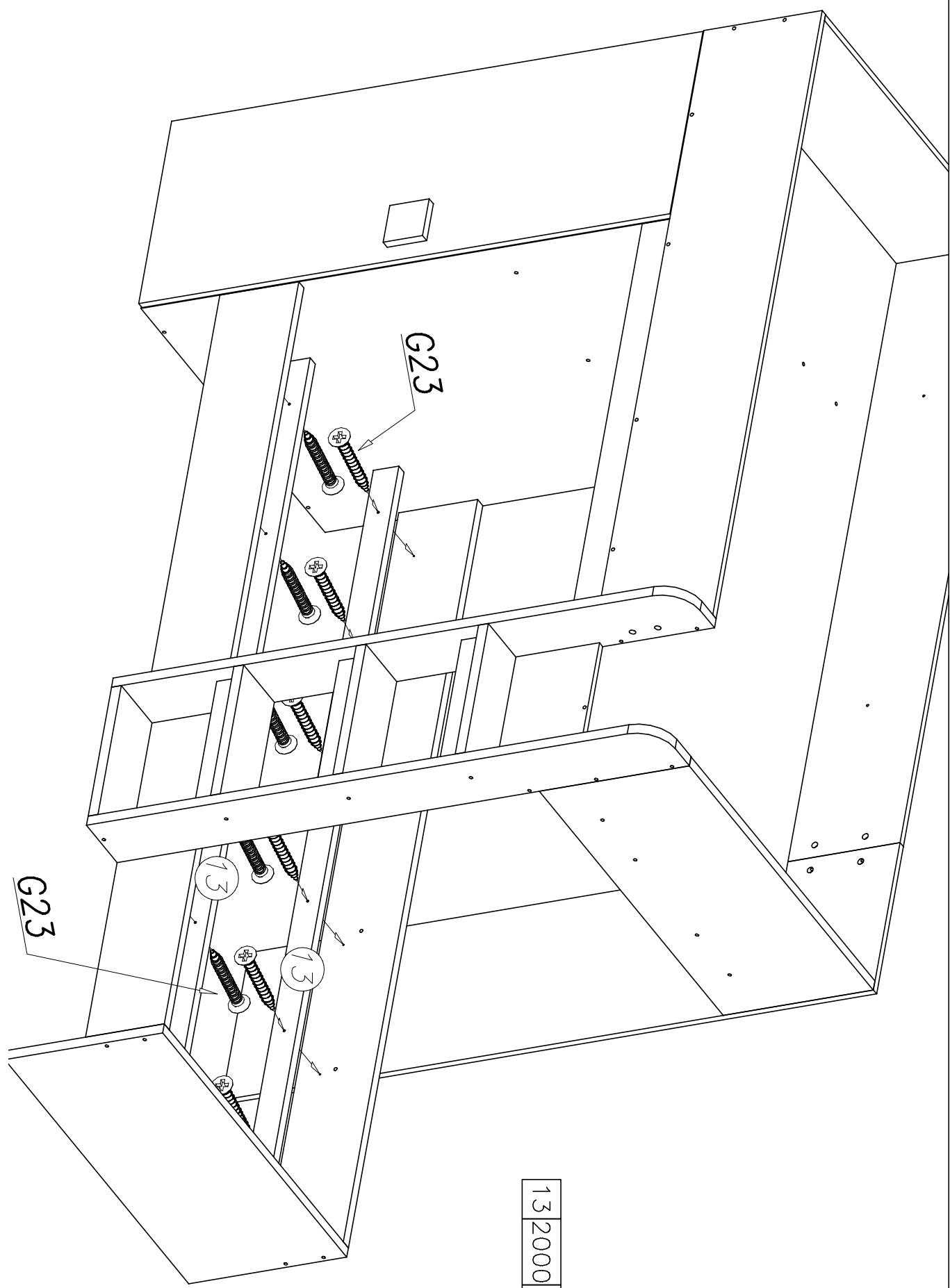


21	1650	400
22	1641	300

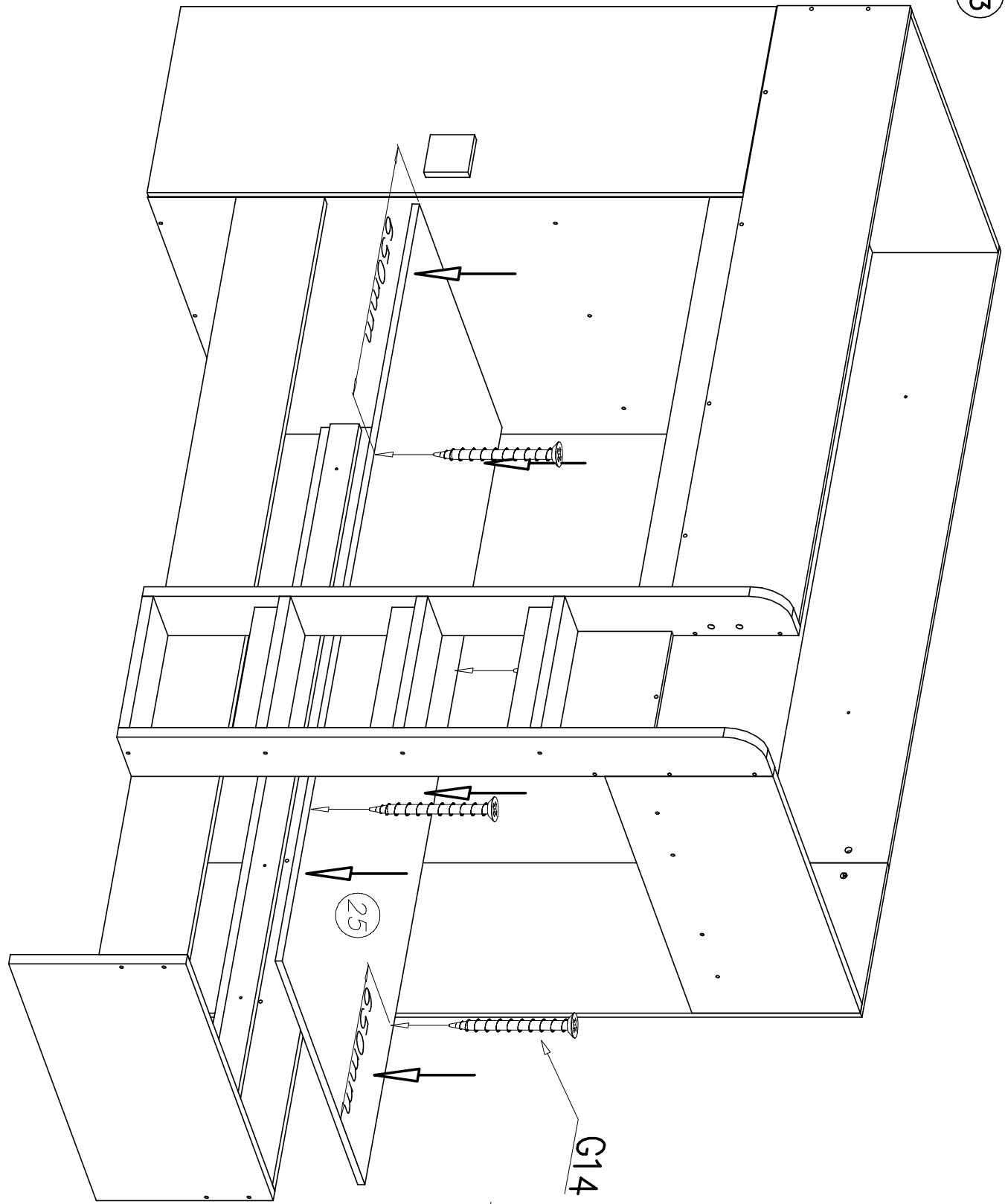








13 2000 65



25 1900 850

