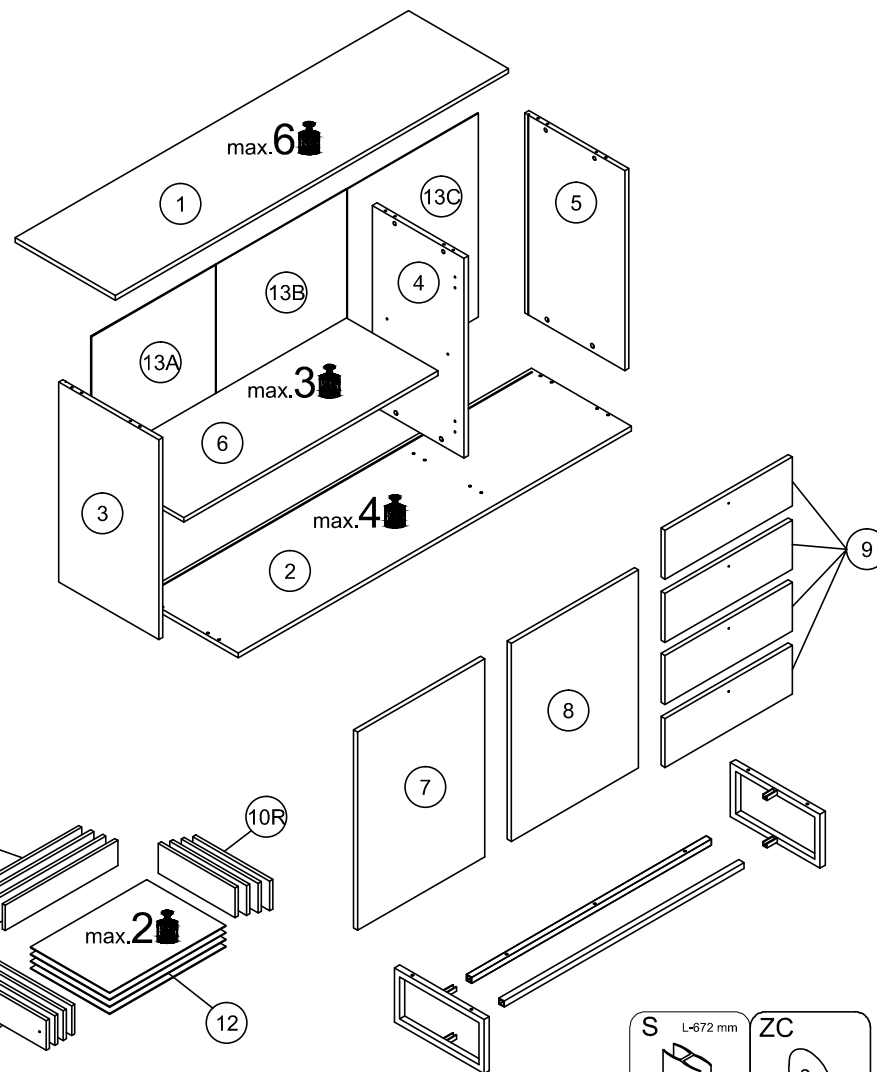
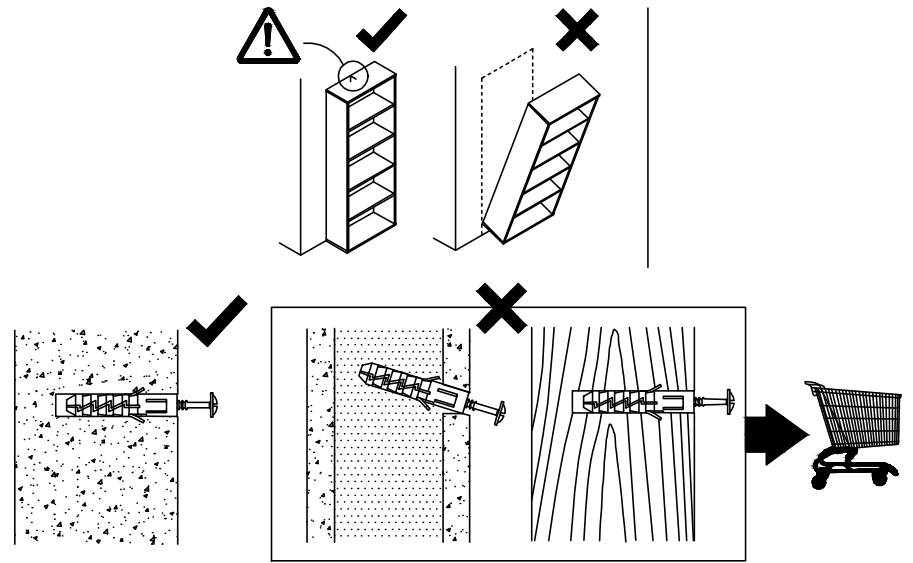
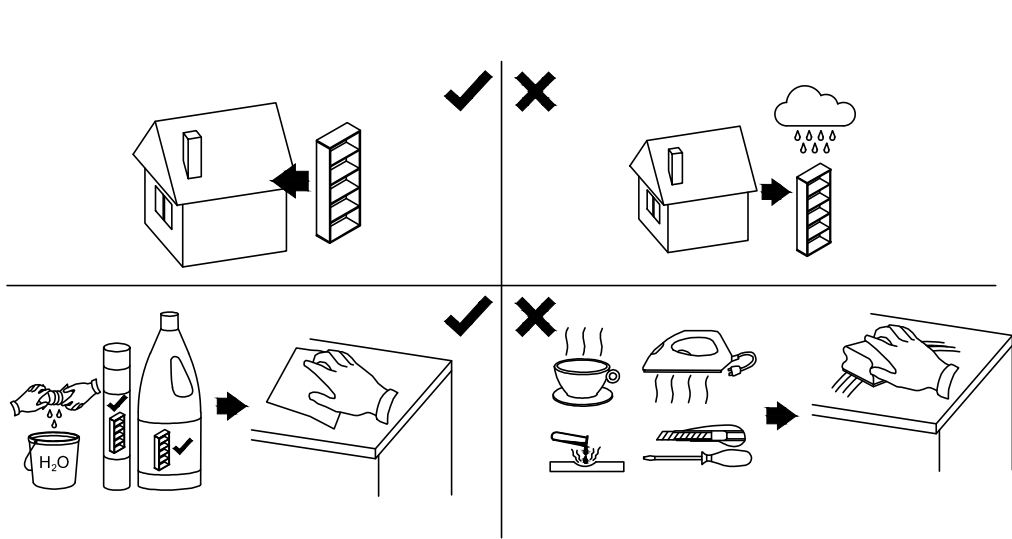


50 min.



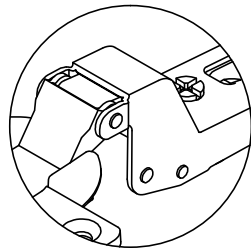
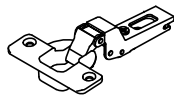
W+H2 x2	N 3x20 x6	X x14	GLUE x1	PW1/2+HO x2	Z x8	ND 3.5x16 x32	R3 x6
B x12	A 8x32 x12	TA x1	H 6,3x13 x8	C x12	PPW 350 x8	ZZ x4	V 3x13 x24
					S L-672 mm x1	ZC x6	



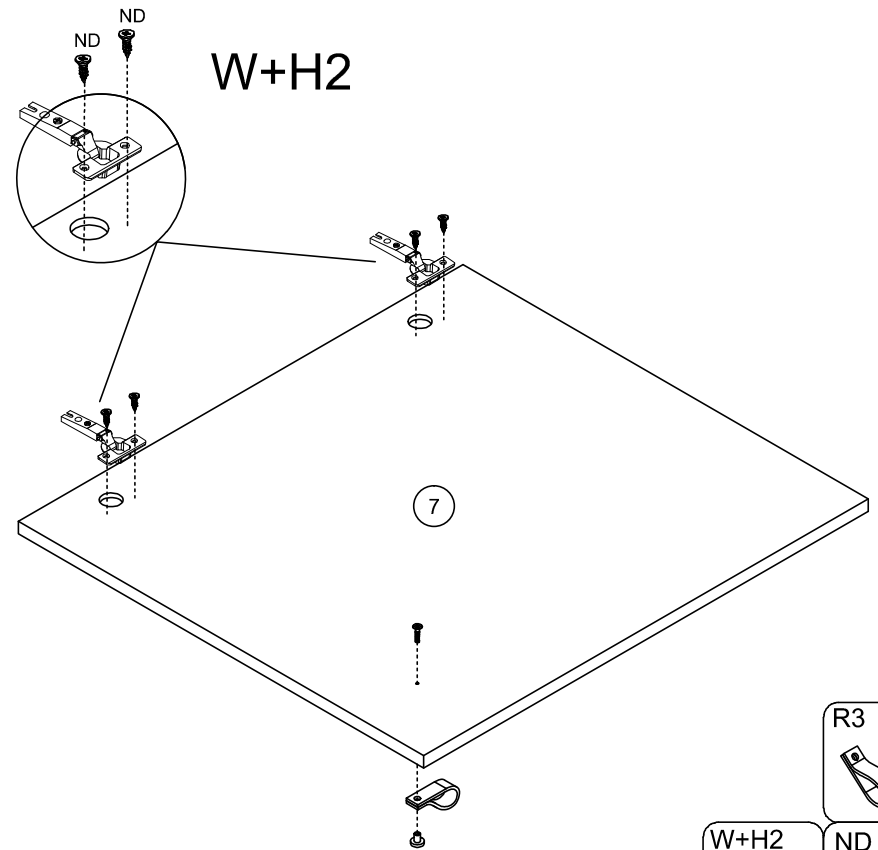
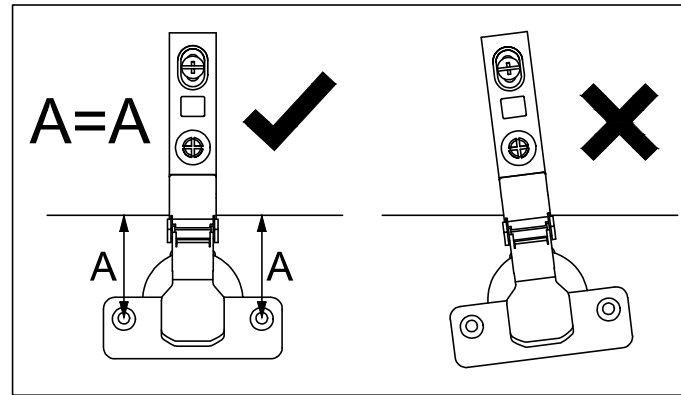
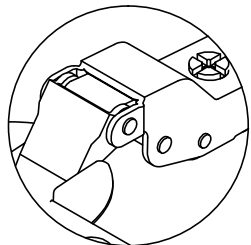
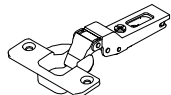
1	1533	390	16	x1	3 / 3
2	1533	390	16	x1	3 / 3
3	675	390	16	x1	3 / 3
4	675	357	16	x1	3 / 3
5	675	390	16	x1	3 / 3
6	991	357	16	x1	3 / 3
7	669	496	16	x1	2 / 3
8	669	496	16	x1	2 / 3
9	165	496	16	x4	2 / 3
10L	350	100	12	x4	3 / 3
10R	350	100	12	x4	3 / 3
11	445	100	12	x4	3 / 3
12	347	454	3	x4	2 / 3
13A	687	502	3	x1	2 / 3
13B	687	502	3	x1	2 / 3
13C	687	505	3	x1	2 / 3



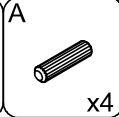
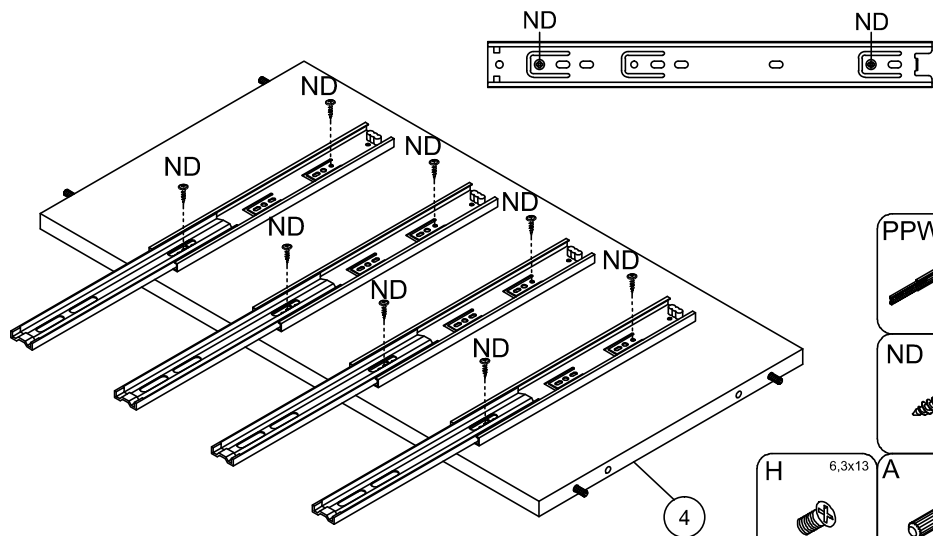
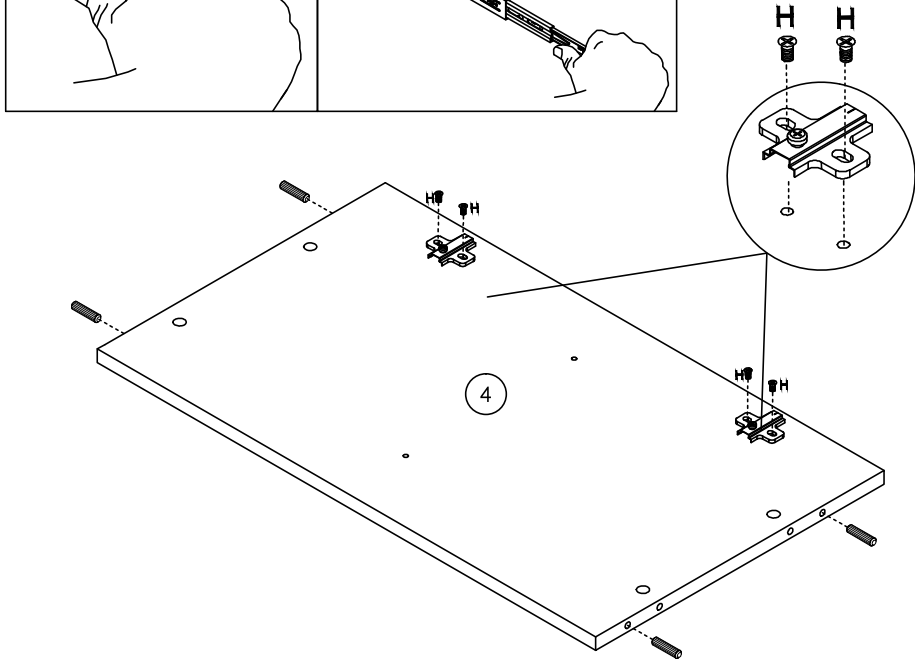
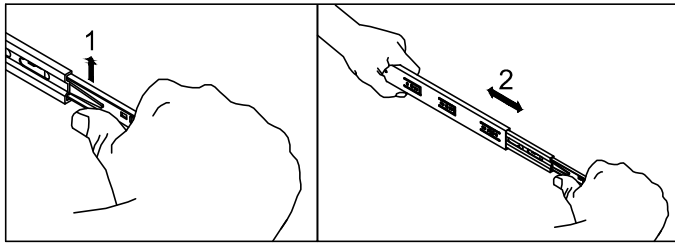
W+H2



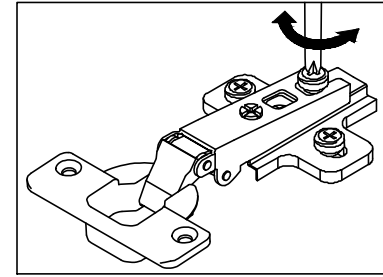
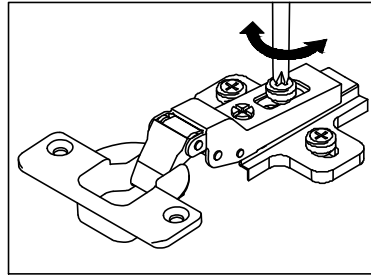
PW1/2+HO



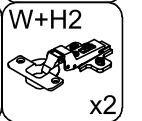
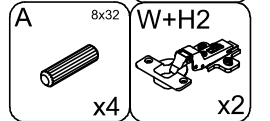
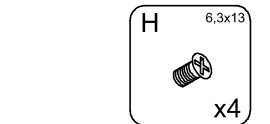
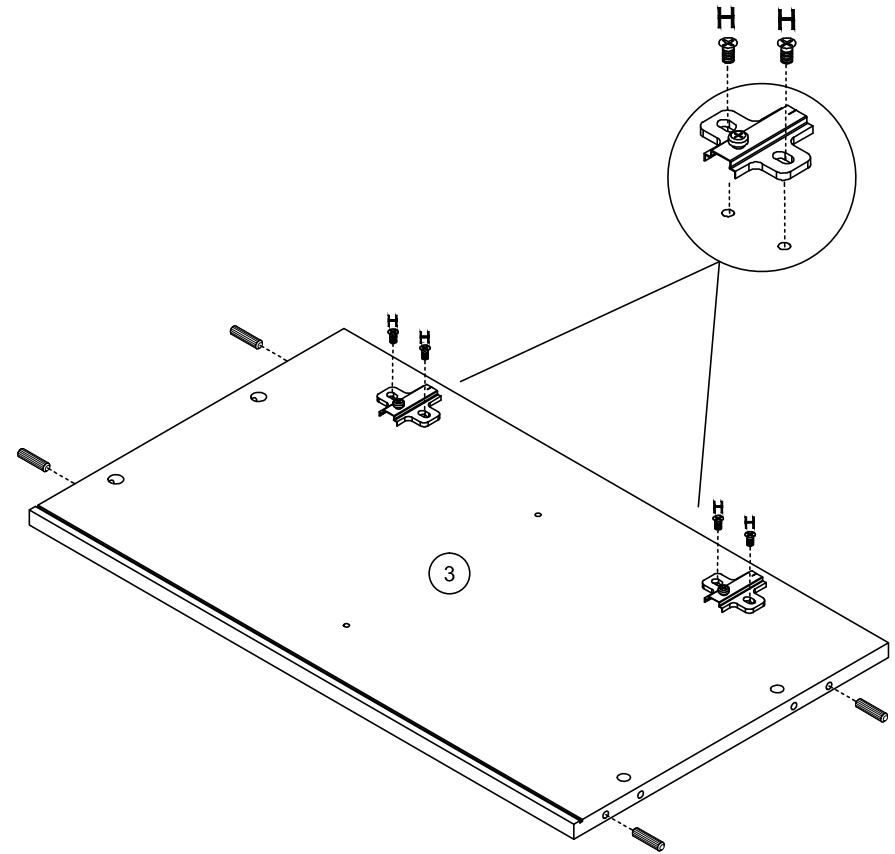
- R3 x1
- W+H2 x2
- ND 3,5x16 x4

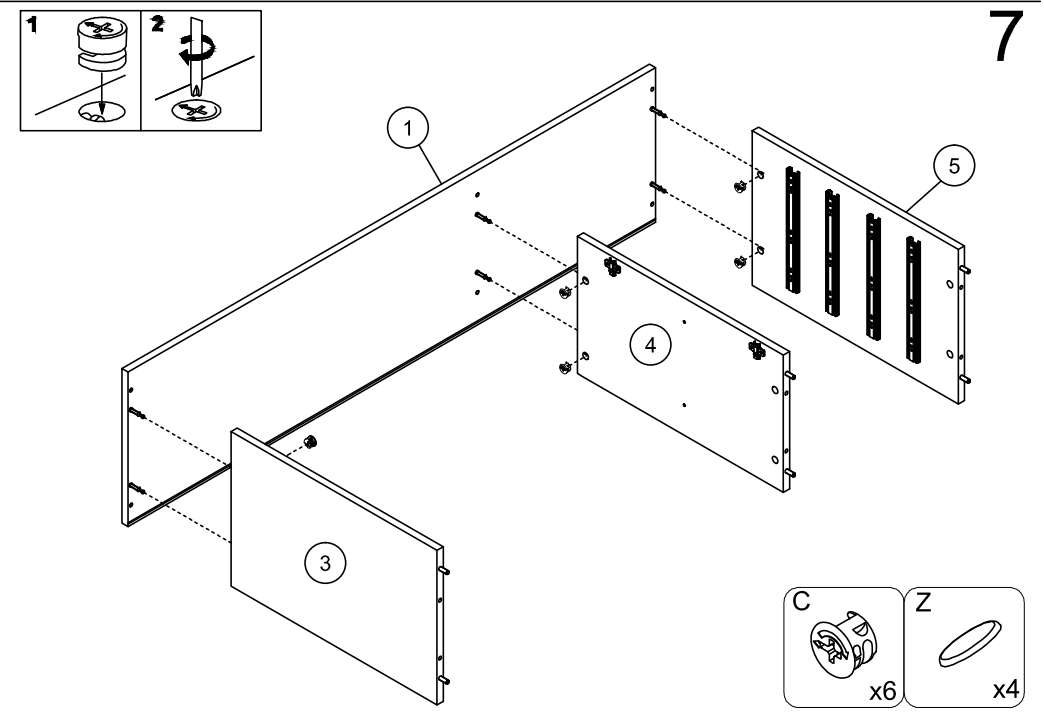
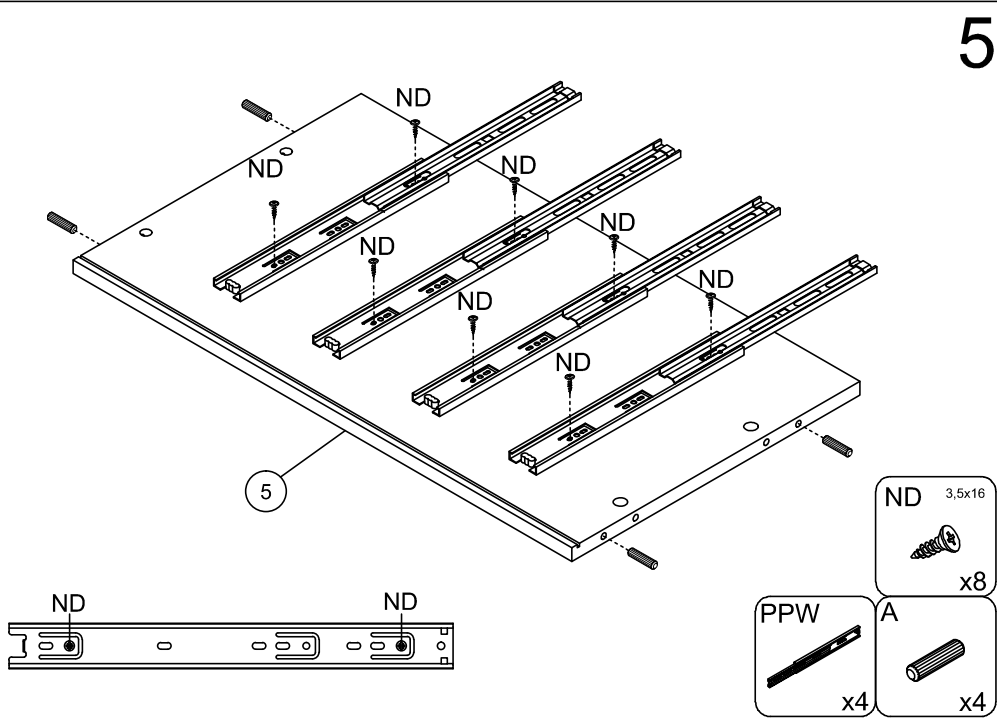
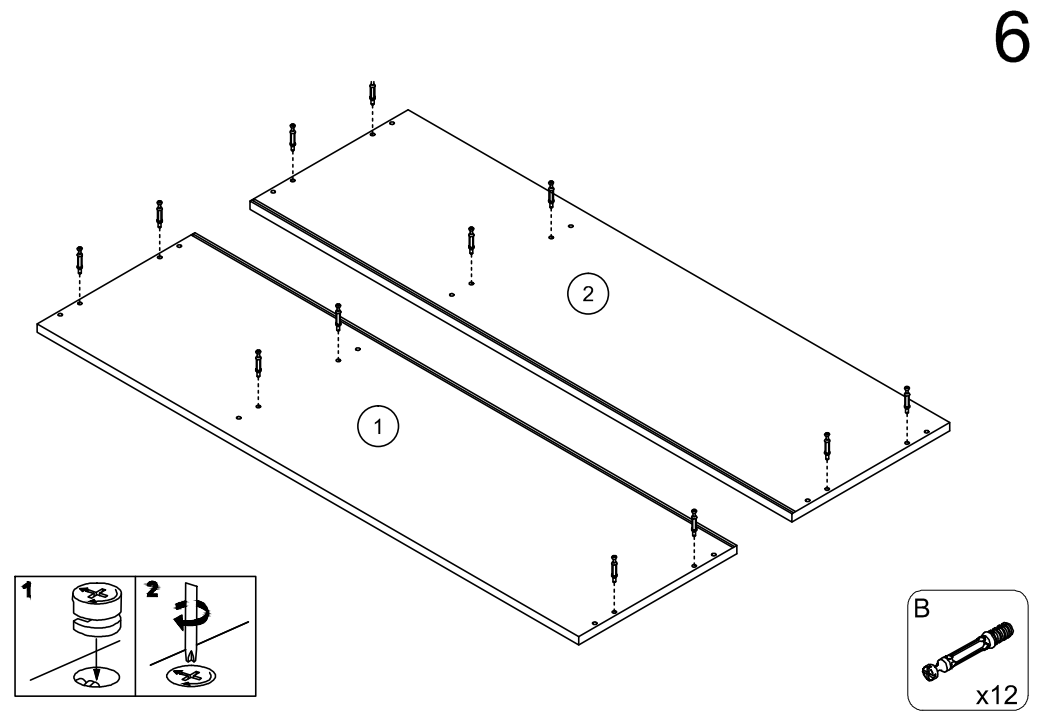
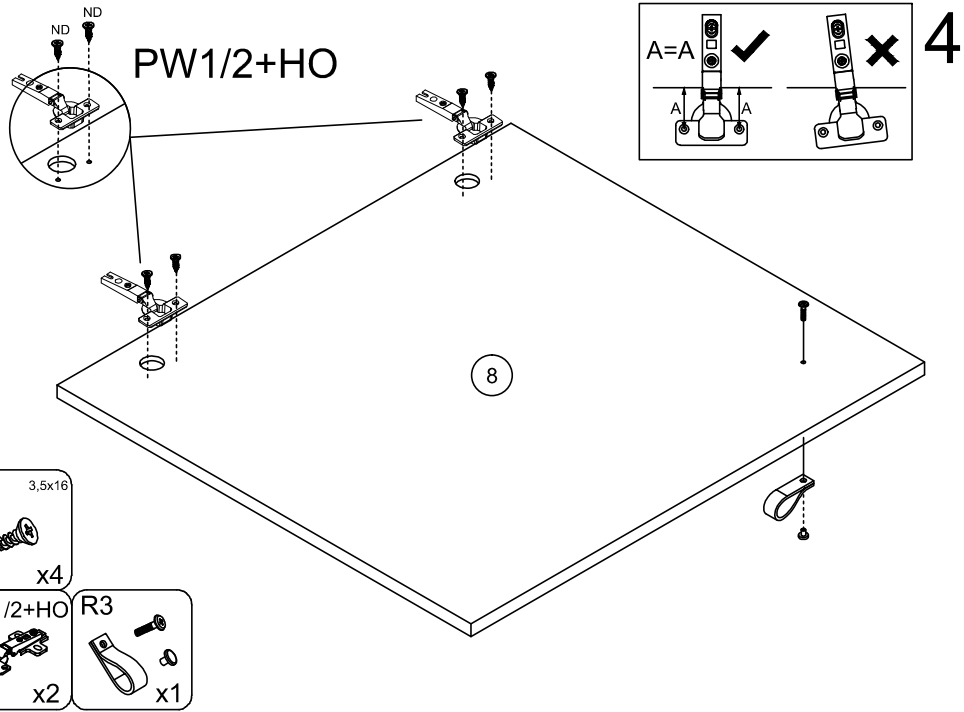


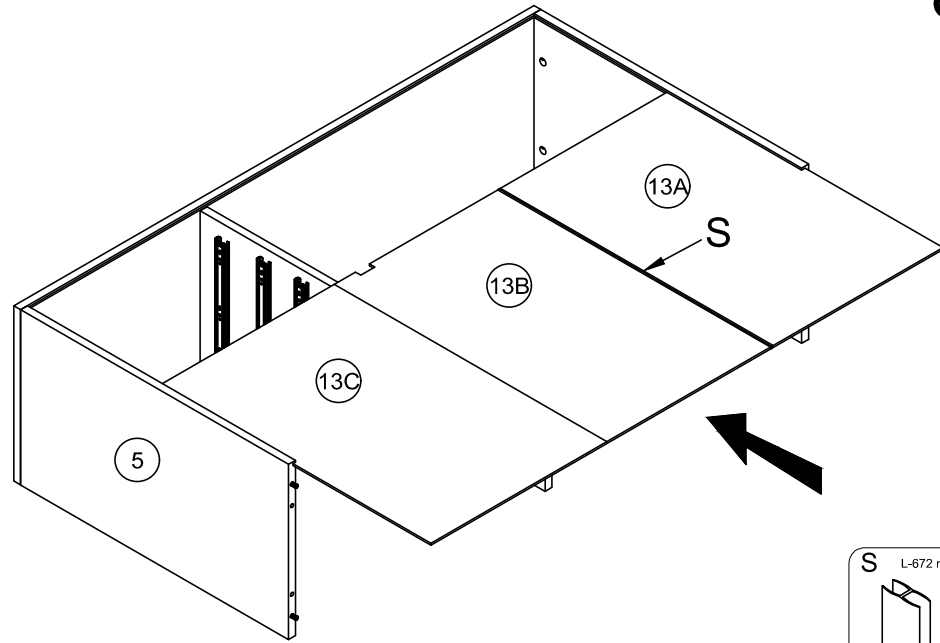
2



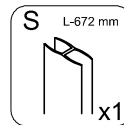
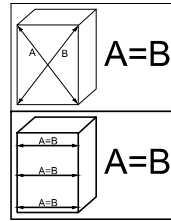
3



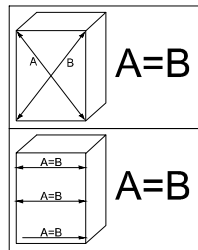
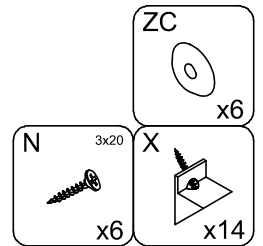
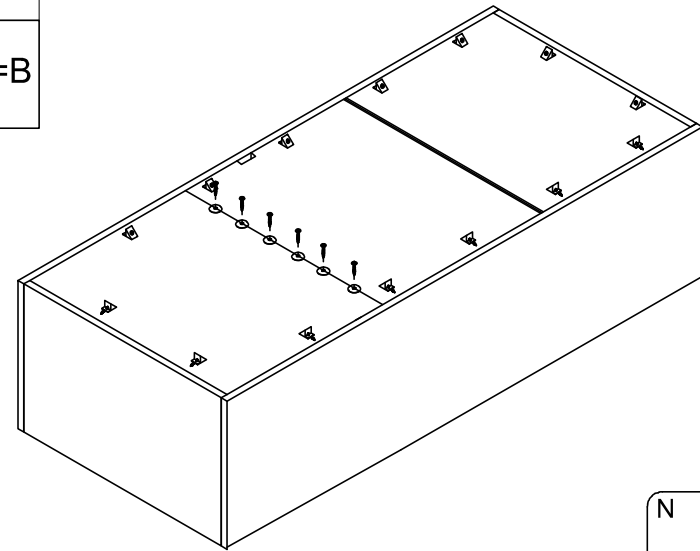




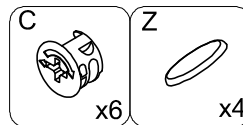
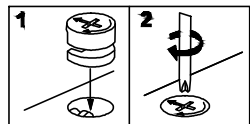
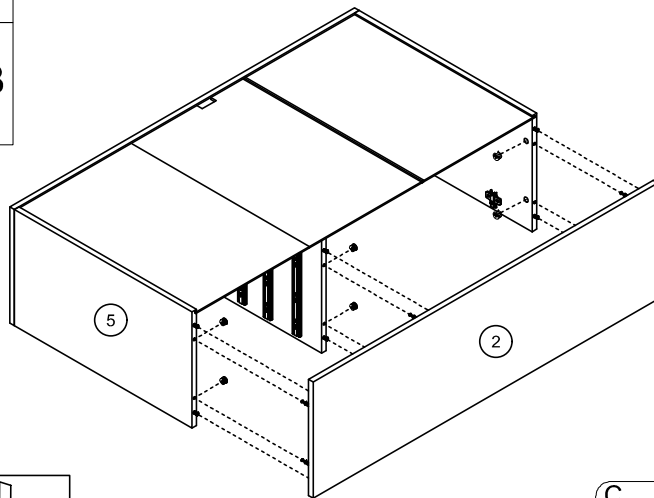
8



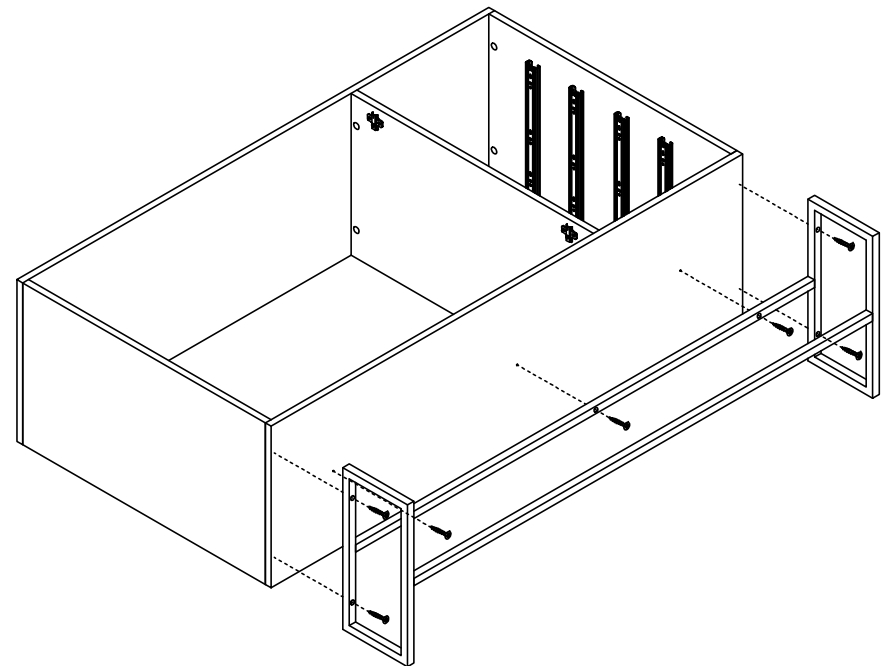
10



9

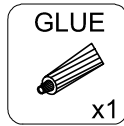
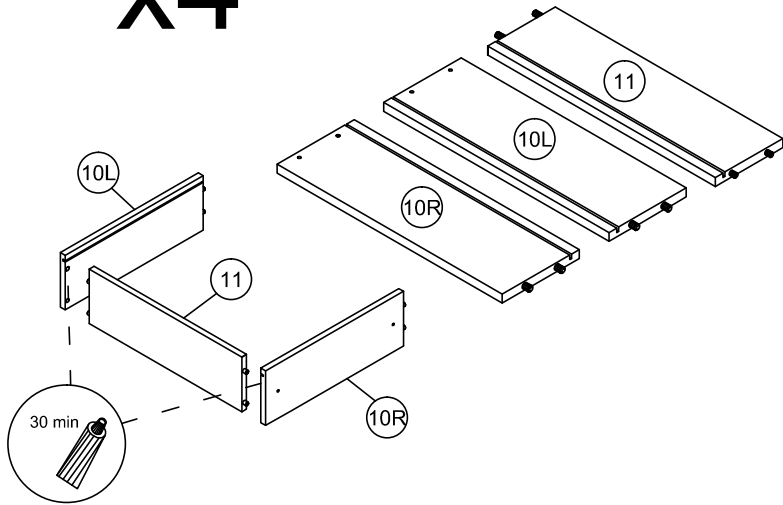


11

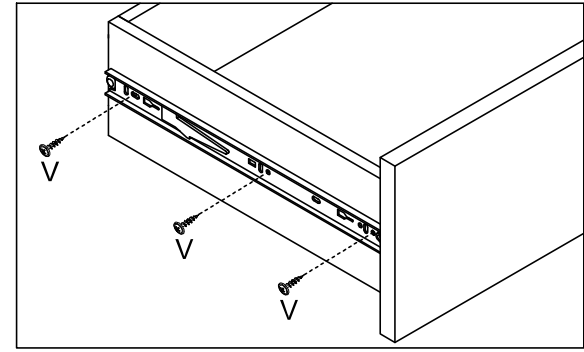


11

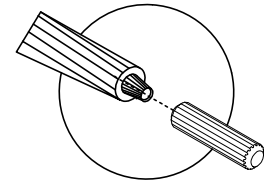
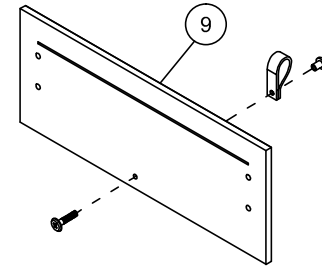
x4



13

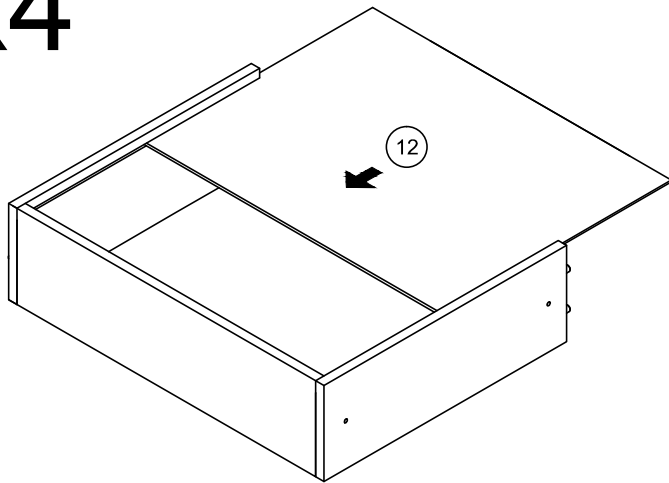


30 min

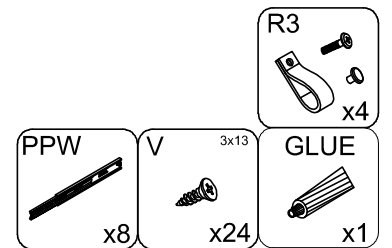
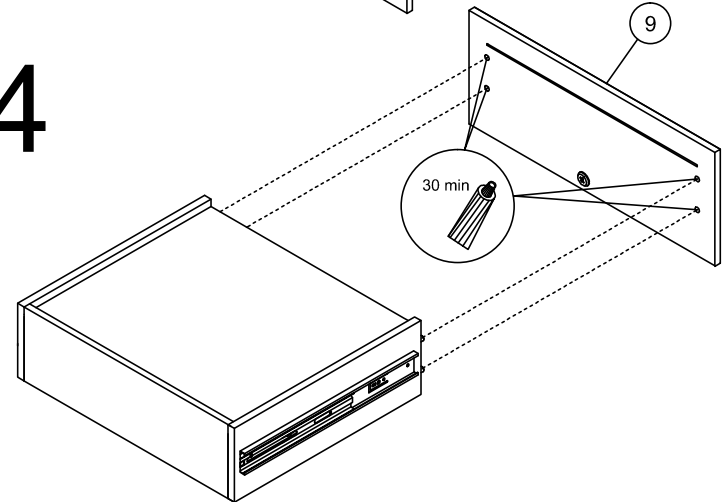


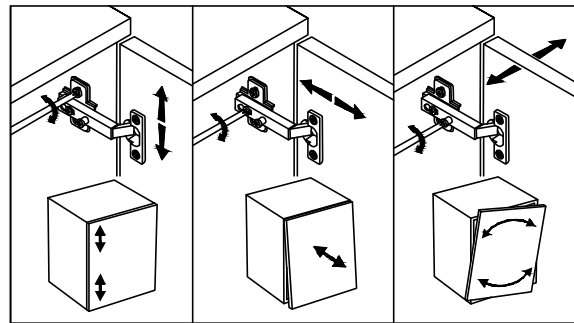
12

x4

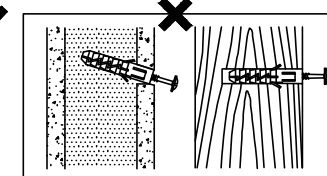
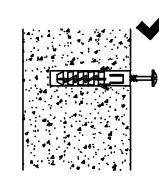
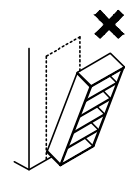
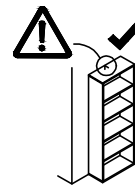


x4





14



15

