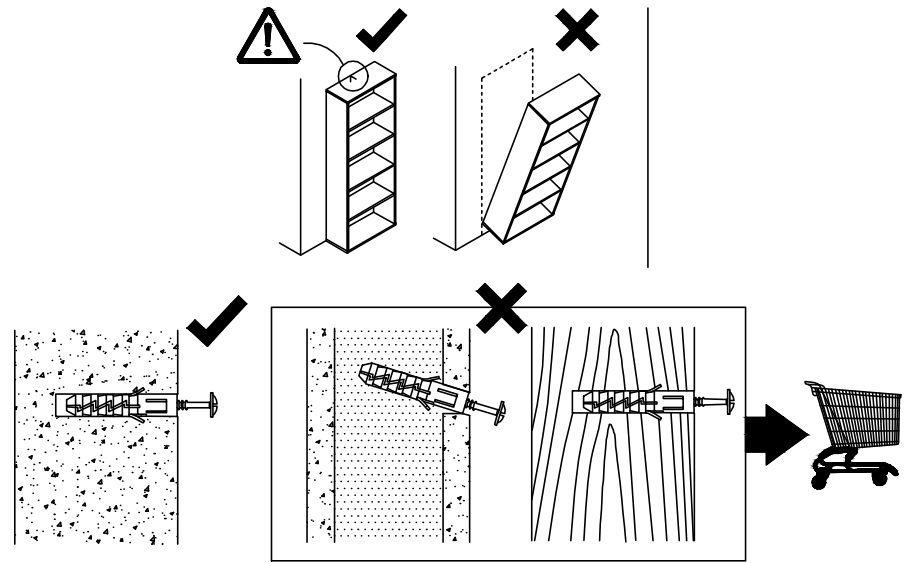
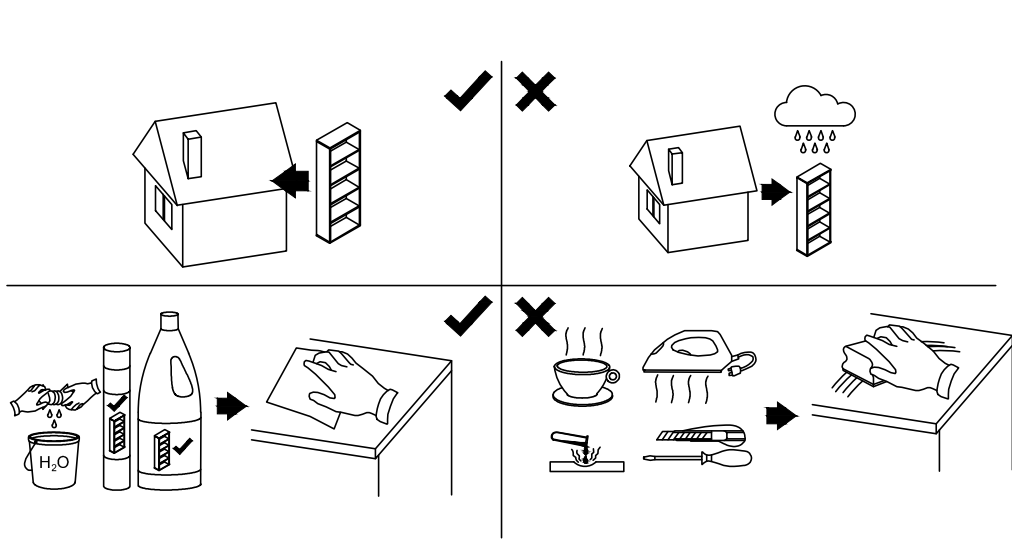
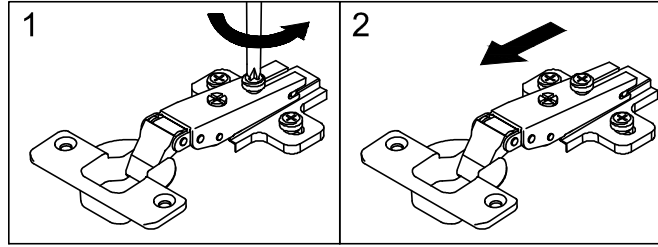


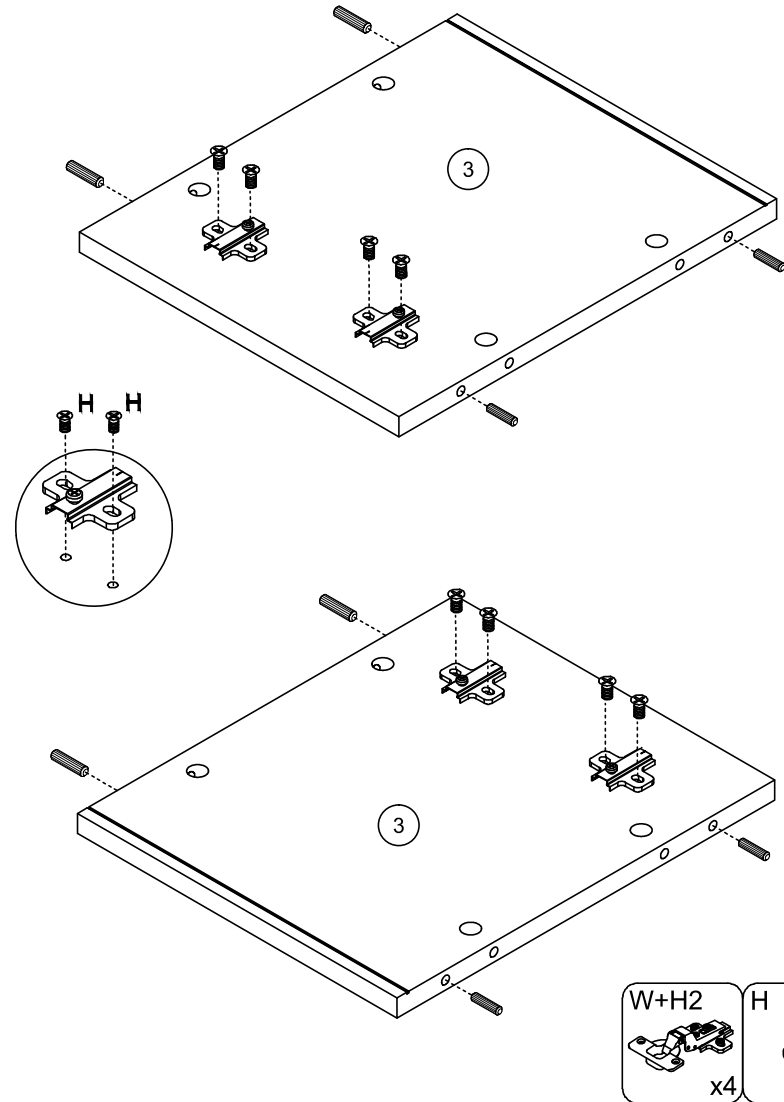
B x20	A 8x32 x20	X x14	H 6,3x13 x8	C x20	PPW 350 x2	W+H2 x4	V 3x13 x6	GLUE x1	N 3x20 x8	R3 x3	ND 3,5x16 x19	Z x16
---------------------	-----------------------------	---------------------	------------------------------	---------------------	-----------------------------	-----------------------	----------------------------	-----------------------	-------------------------	---------------------	-----------------------------	---------------------

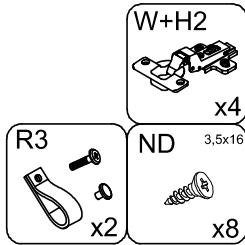
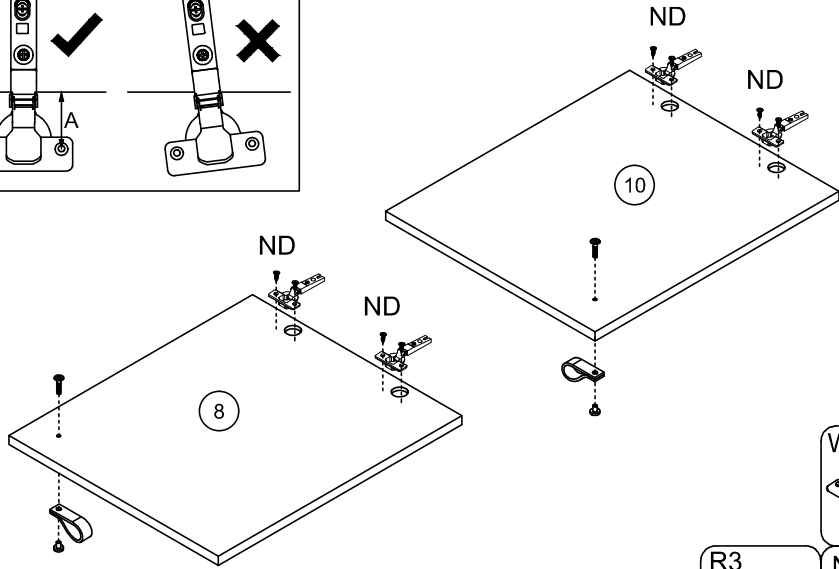
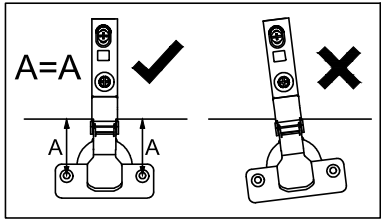


1	1533	390	16	x1	2 / 2
2	1533	390	16	x1	2 / 2
3	330	390	16	x2	2 / 2
4	330	357	16	x1	2 / 2
5	330	357	16	x1	2 / 2
6	483	357	16	x1	2 / 2
7	1509	340	4	x1	2 / 2
8	324	496	16	x1	2 / 2
9	165	496	16	x1	2 / 2
10	324	496	16	x1	2 / 2
11	434	100	12	x1	2 / 2
12L	350	100	12	x1	2 / 2
12R	350	100	12	x1	2 / 2
13	347	444	3	x1	2 / 2

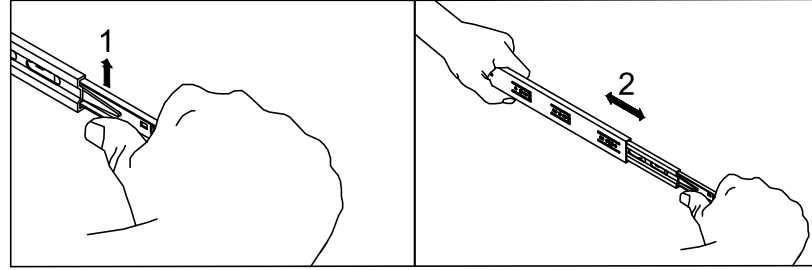


1

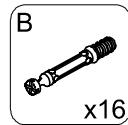
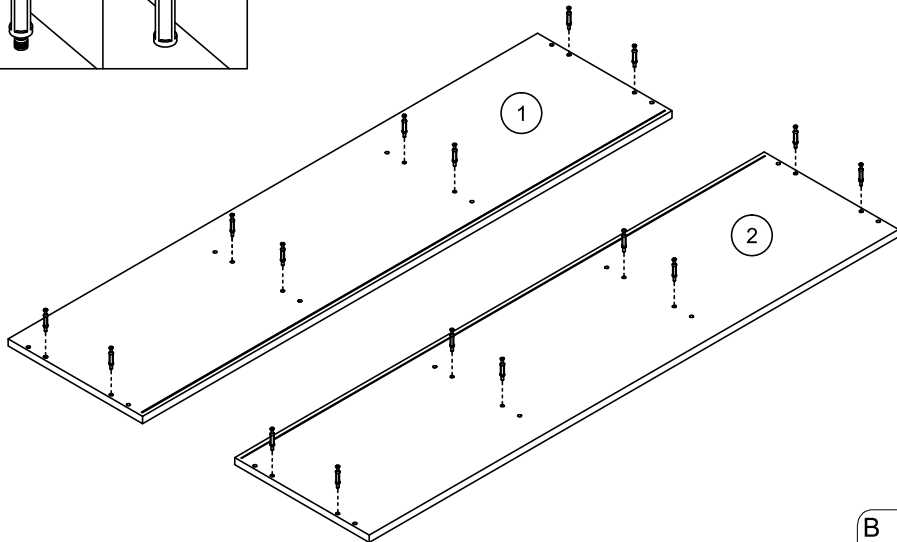
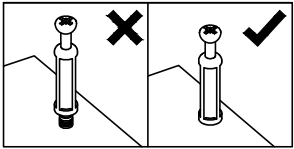
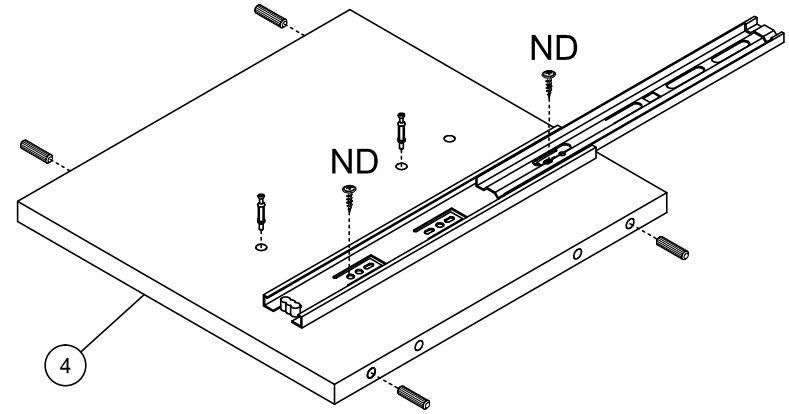




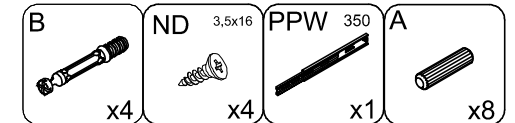
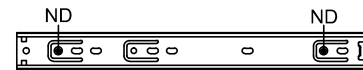
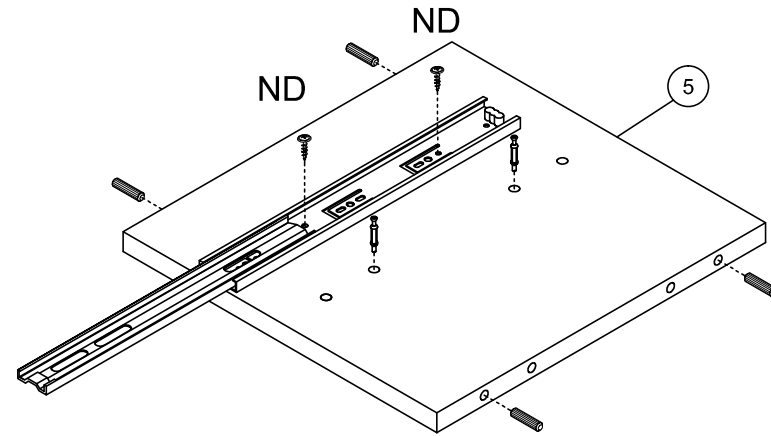
2

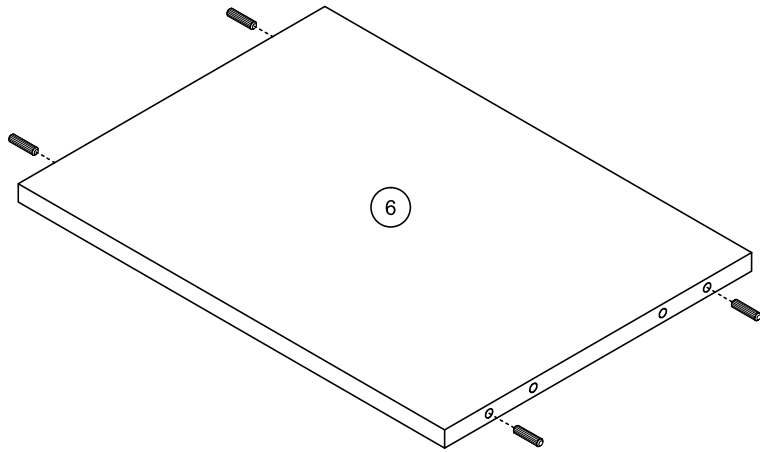


4

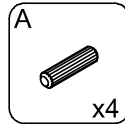
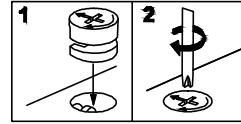


3

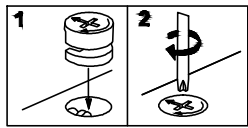
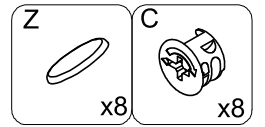
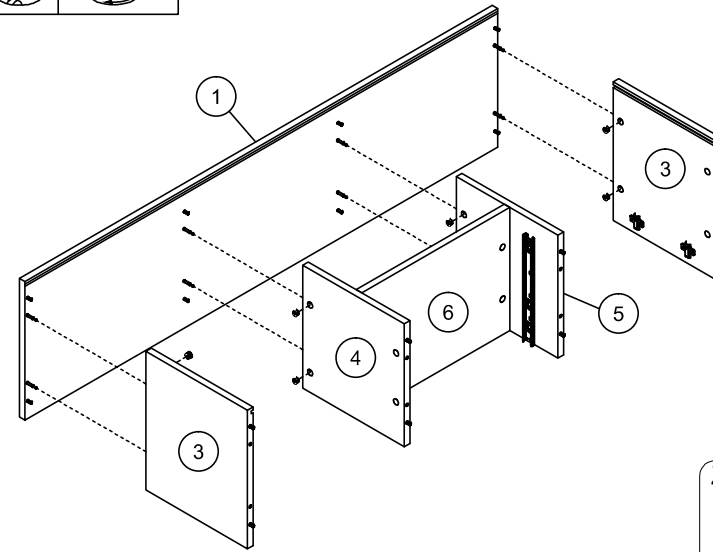




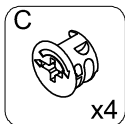
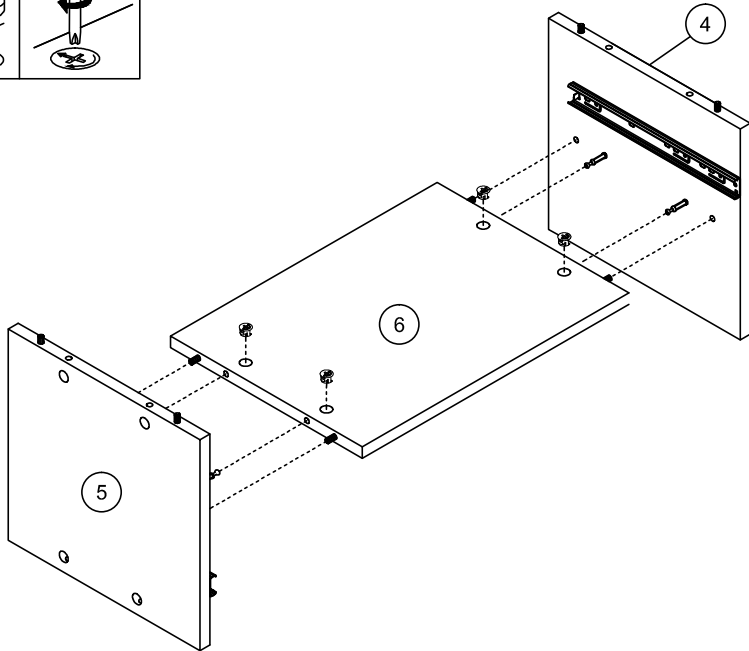
5



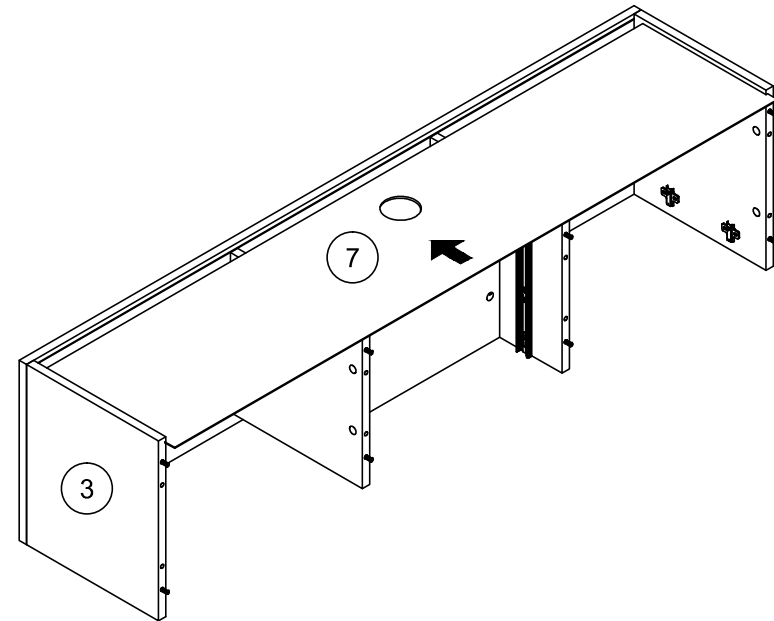
7

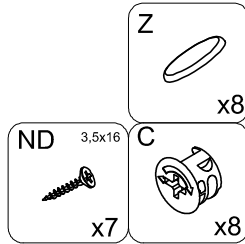
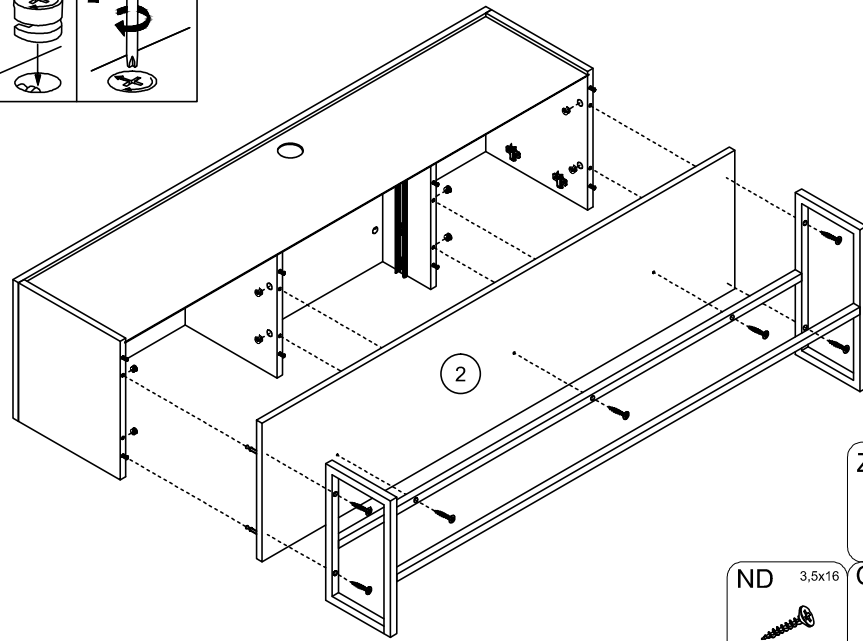
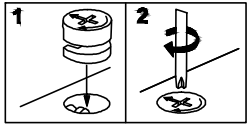


6

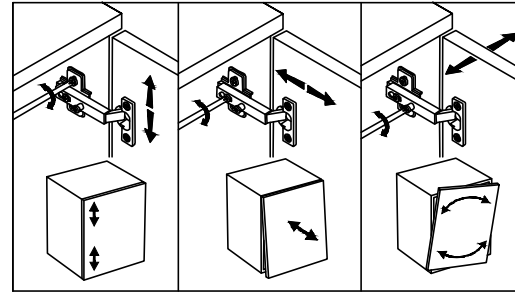


8

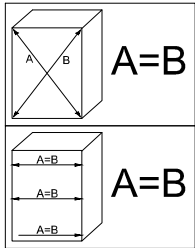




9



11



A=B

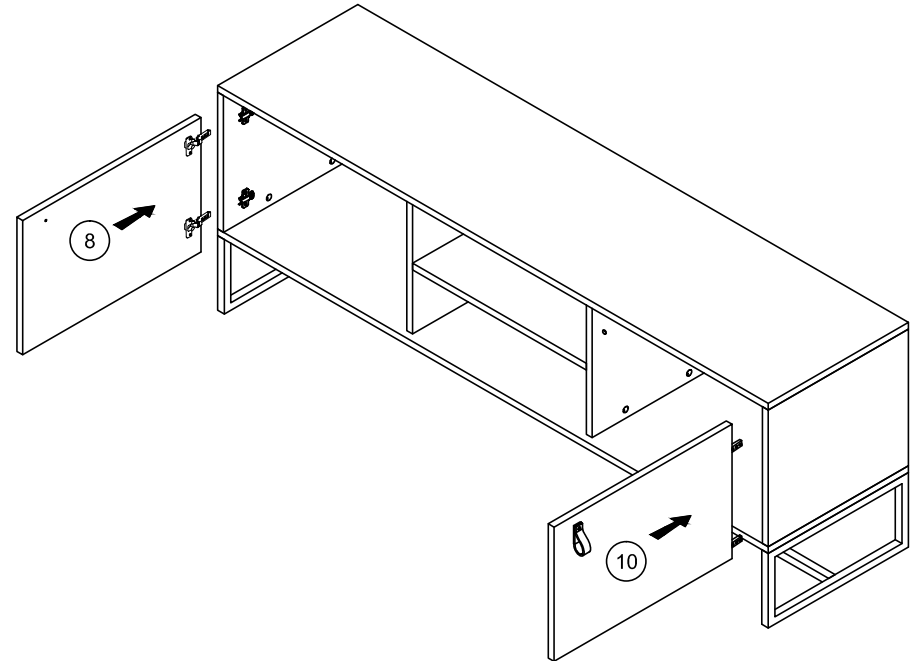
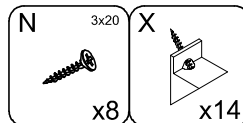
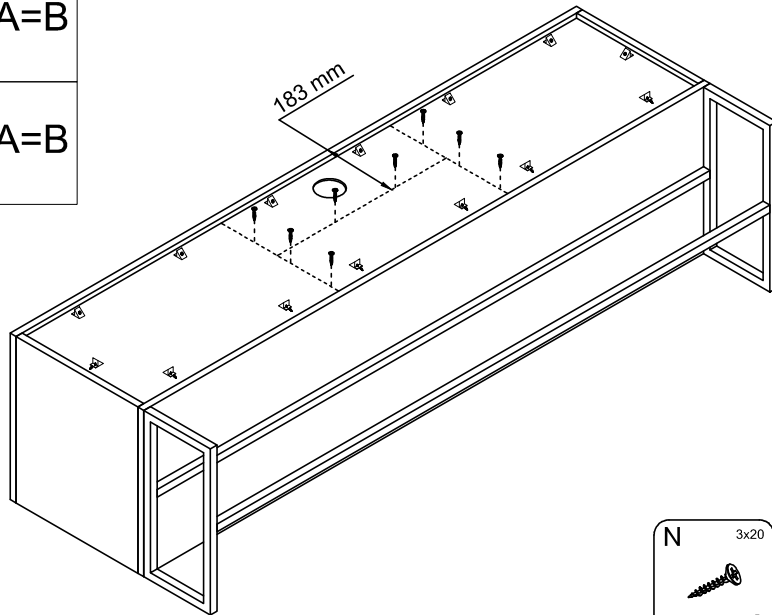
A=B

A=B

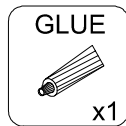
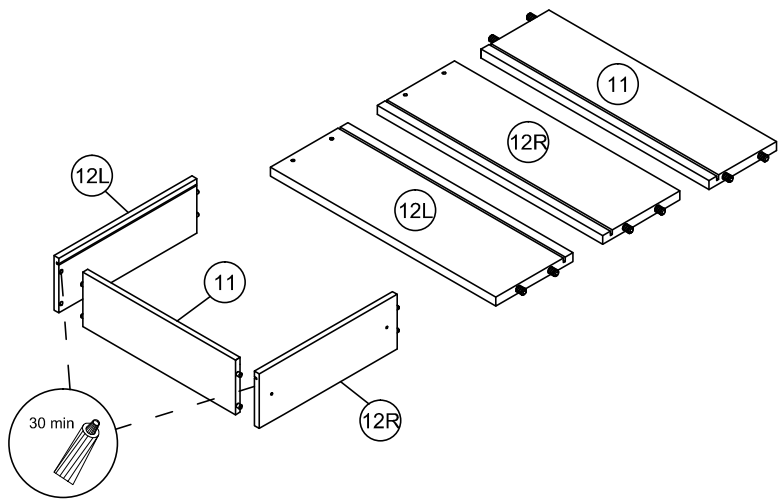
A=B

A=B

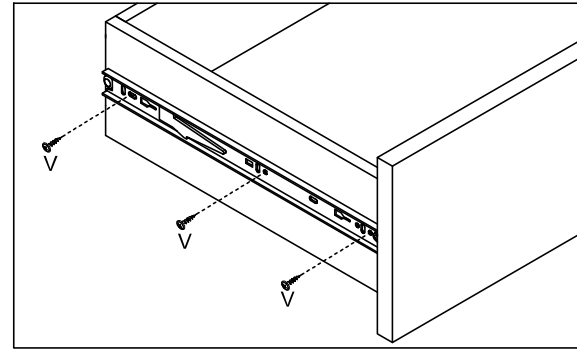
10



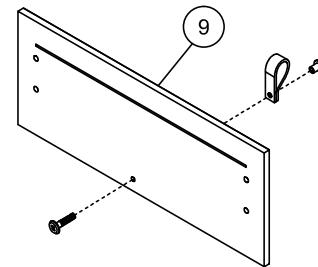
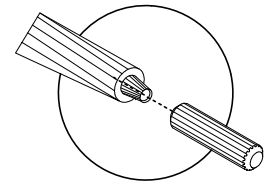
12



14



30 min



13

