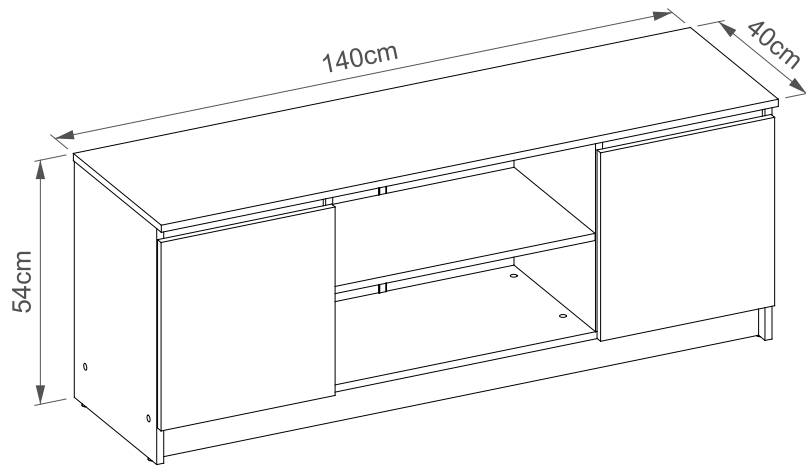
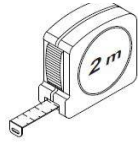
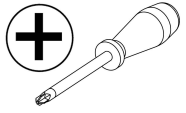
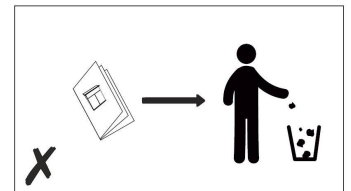
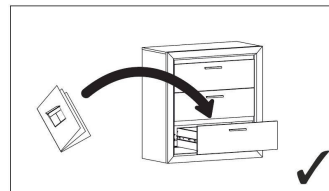
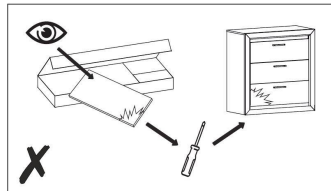
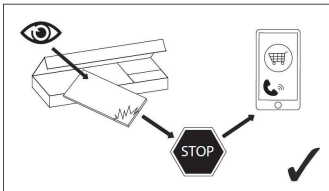
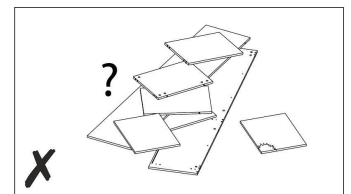
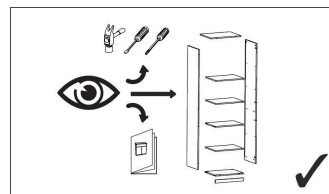
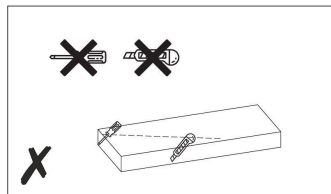
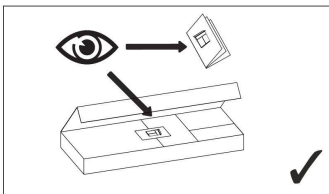
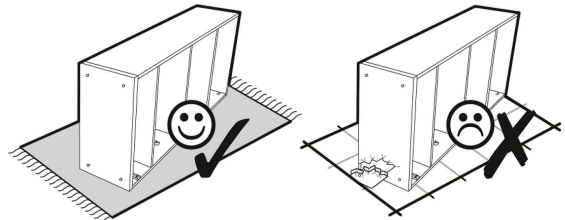
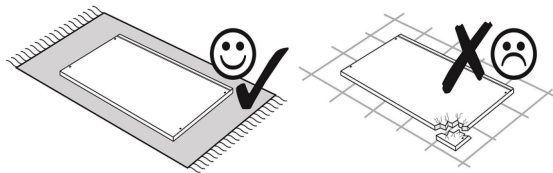
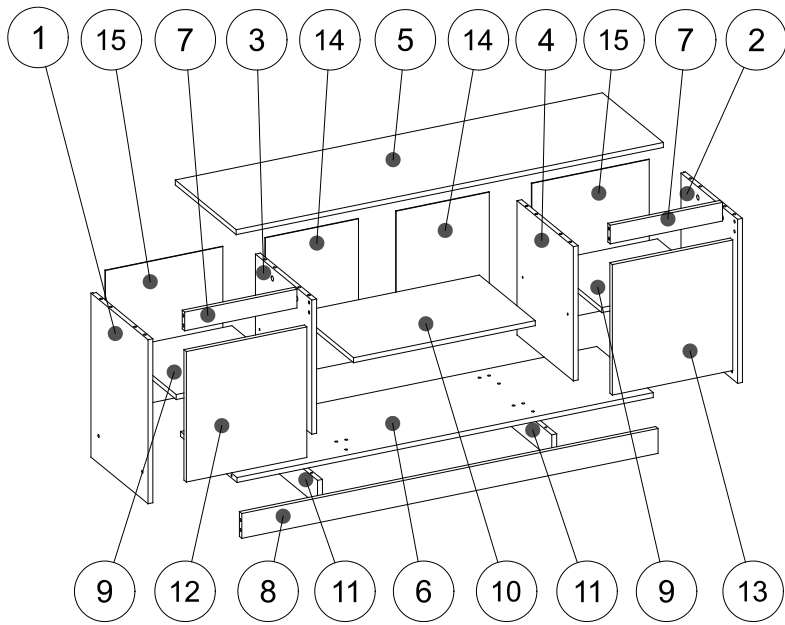




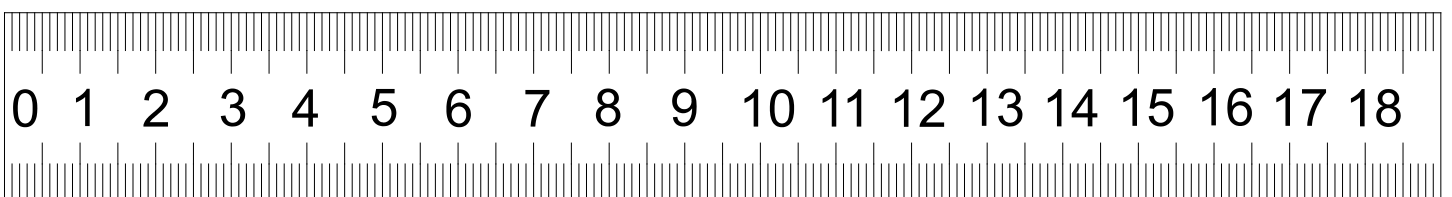
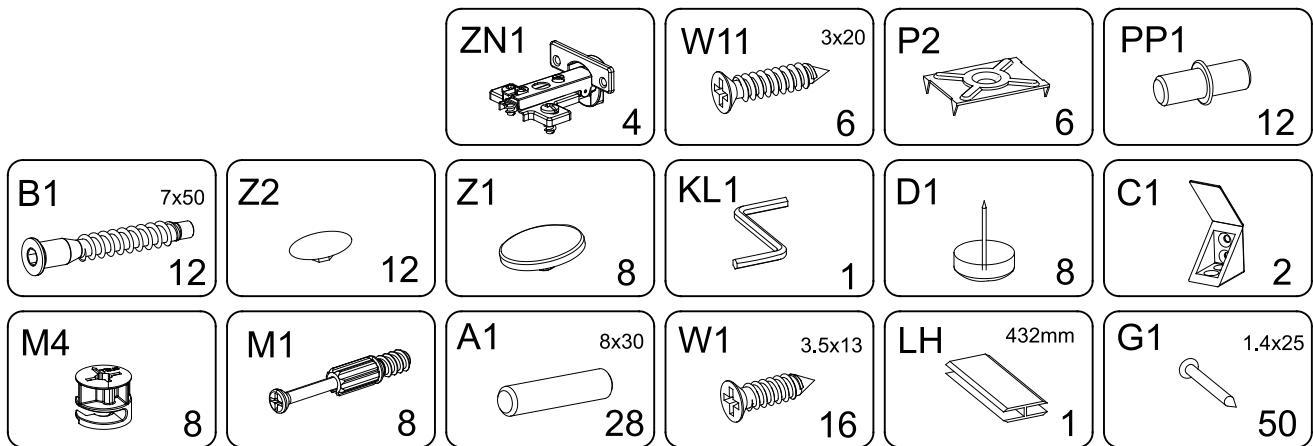
~90 min



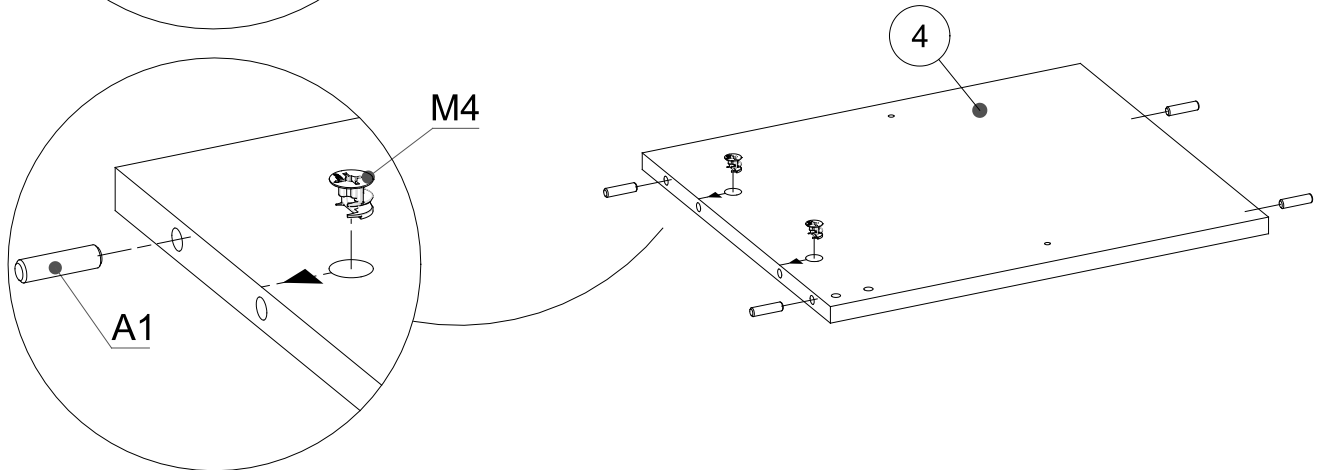
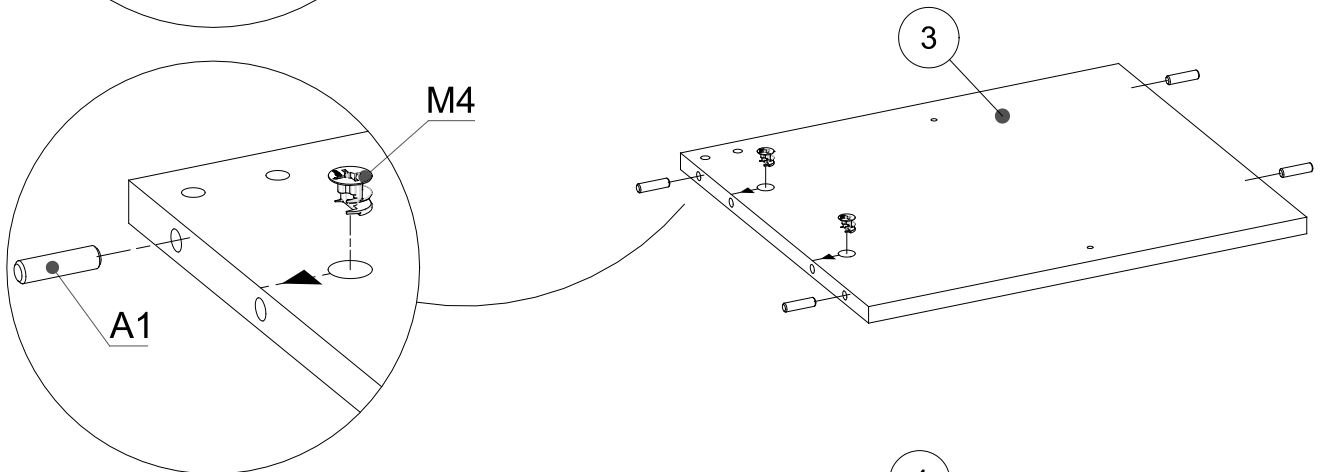
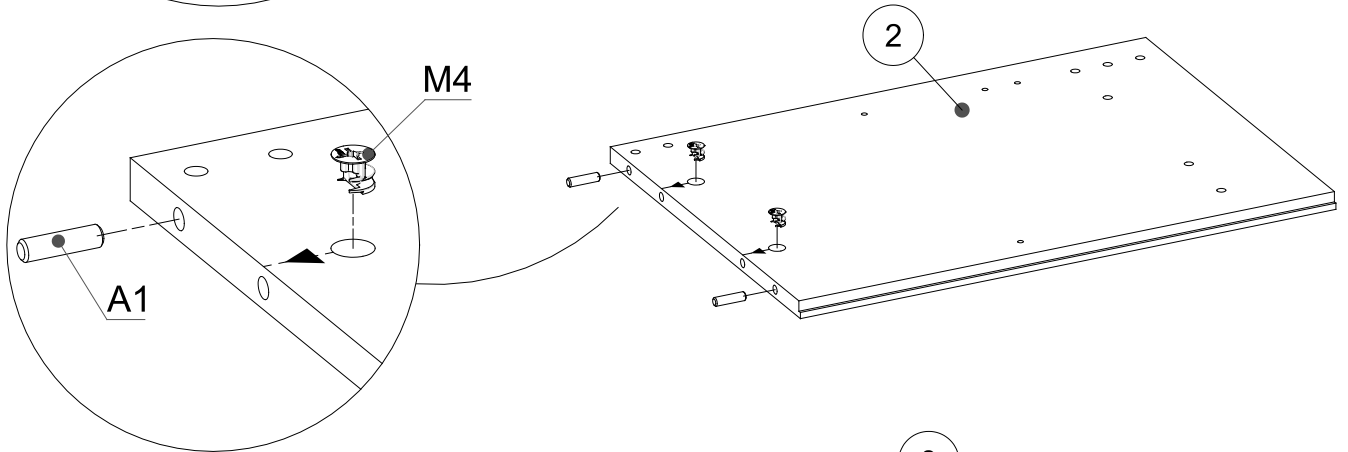
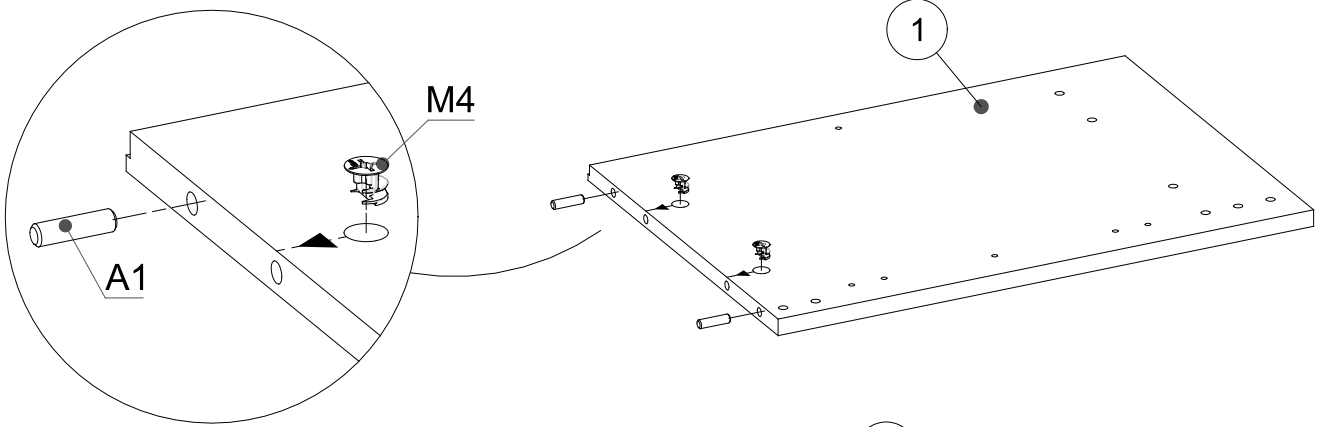
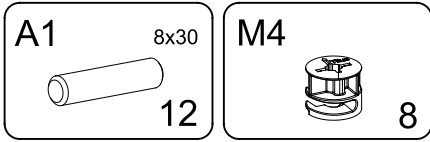
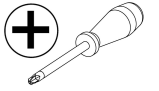




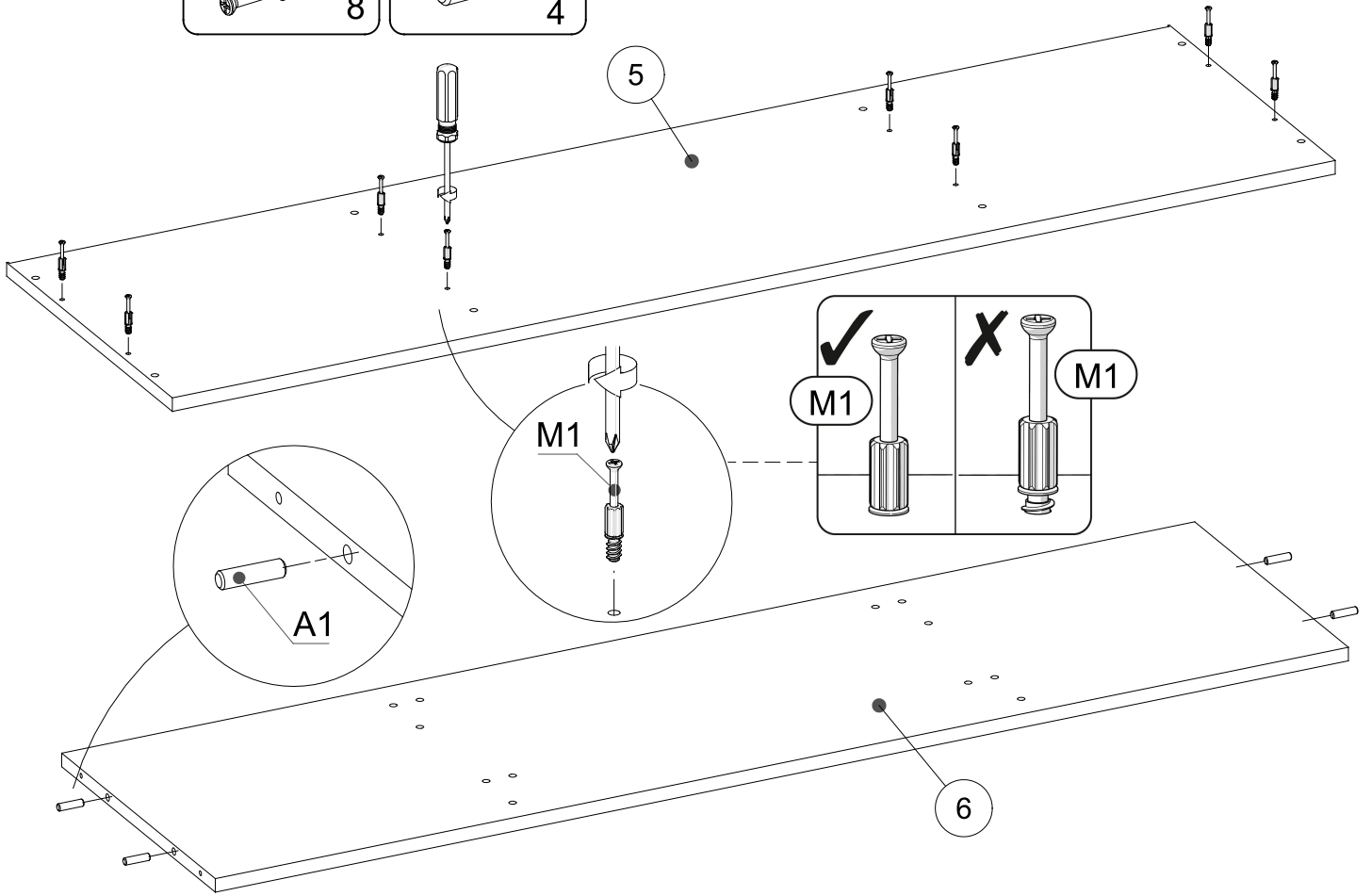
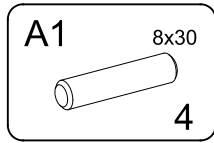
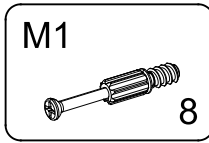
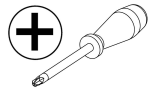
1	528x375x16mm	1
2	528x375x16mm	1
3	432x370x16mm	1
4	432x370x16mm	1
5	1404x400x16mm	1
6	1368x371x16mm	1
7	369x60x16mm	2
8	1368x80x16mm	1
9	368x370x16mm	2
10	597x367x16mm	1
11	327x80x16mm	2
12	420x396x16mm	1
13	420x396x16mm	1
14	456x306x3mm	2
15	456x386x3mm	2



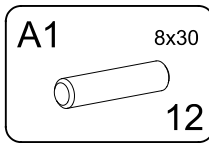
▶ 1



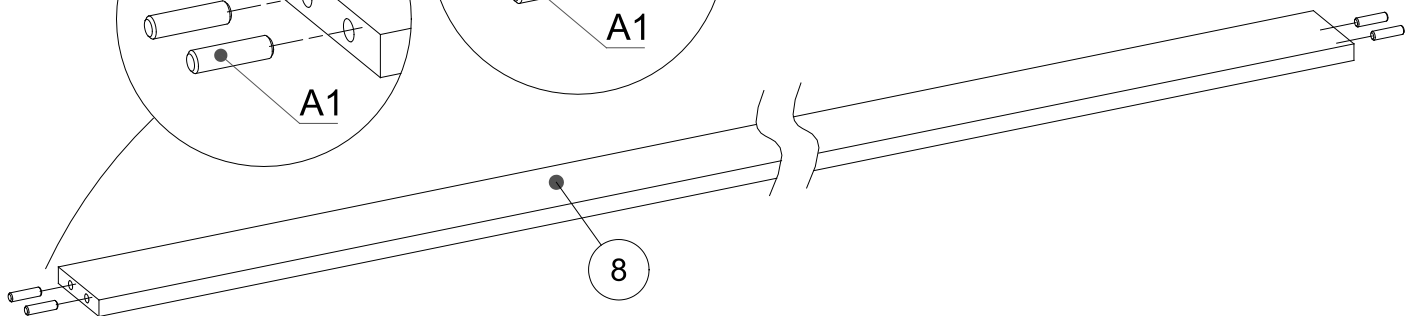
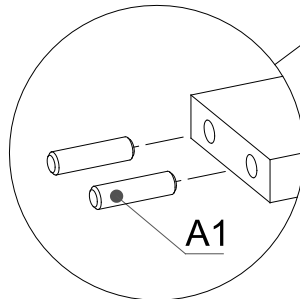
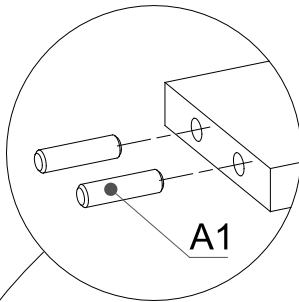
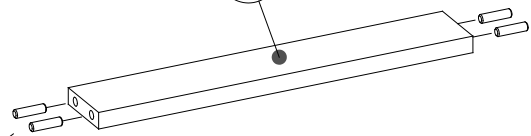
▶ 3



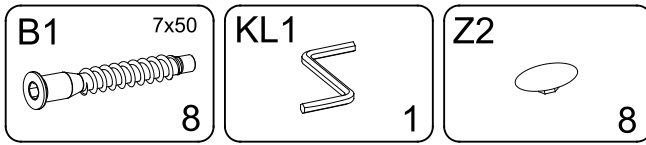
▶ 4



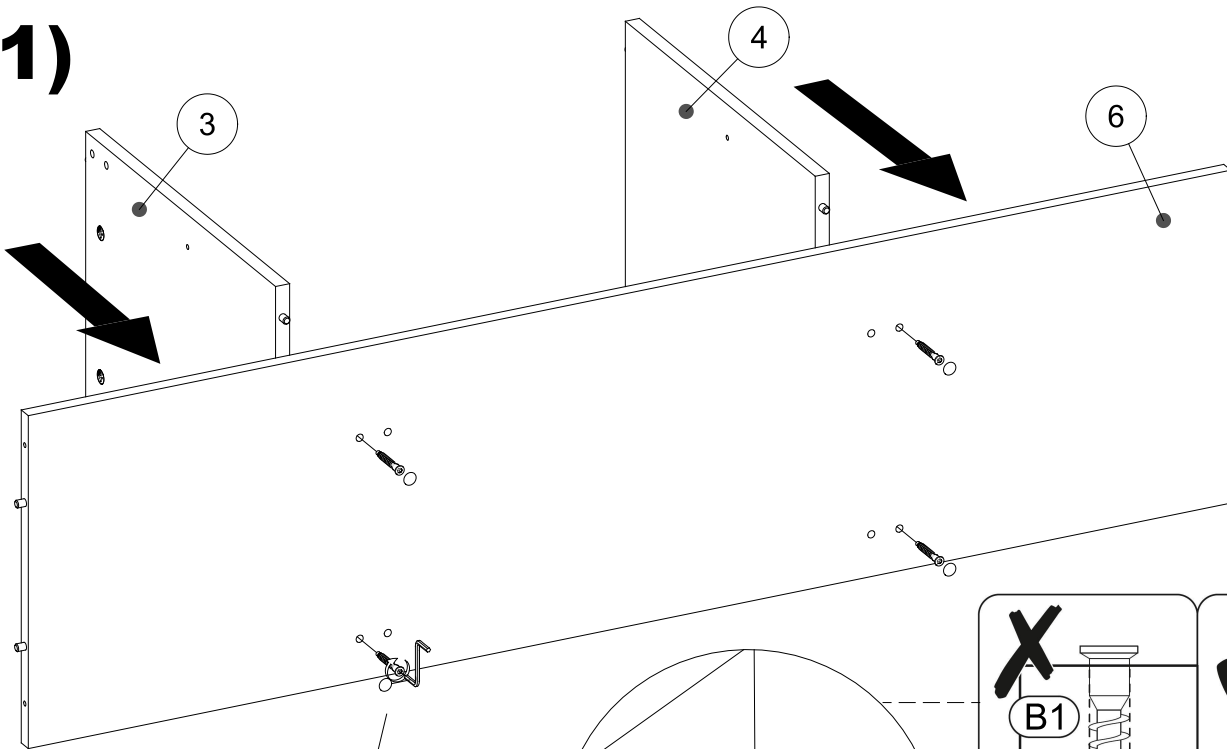
2x 7



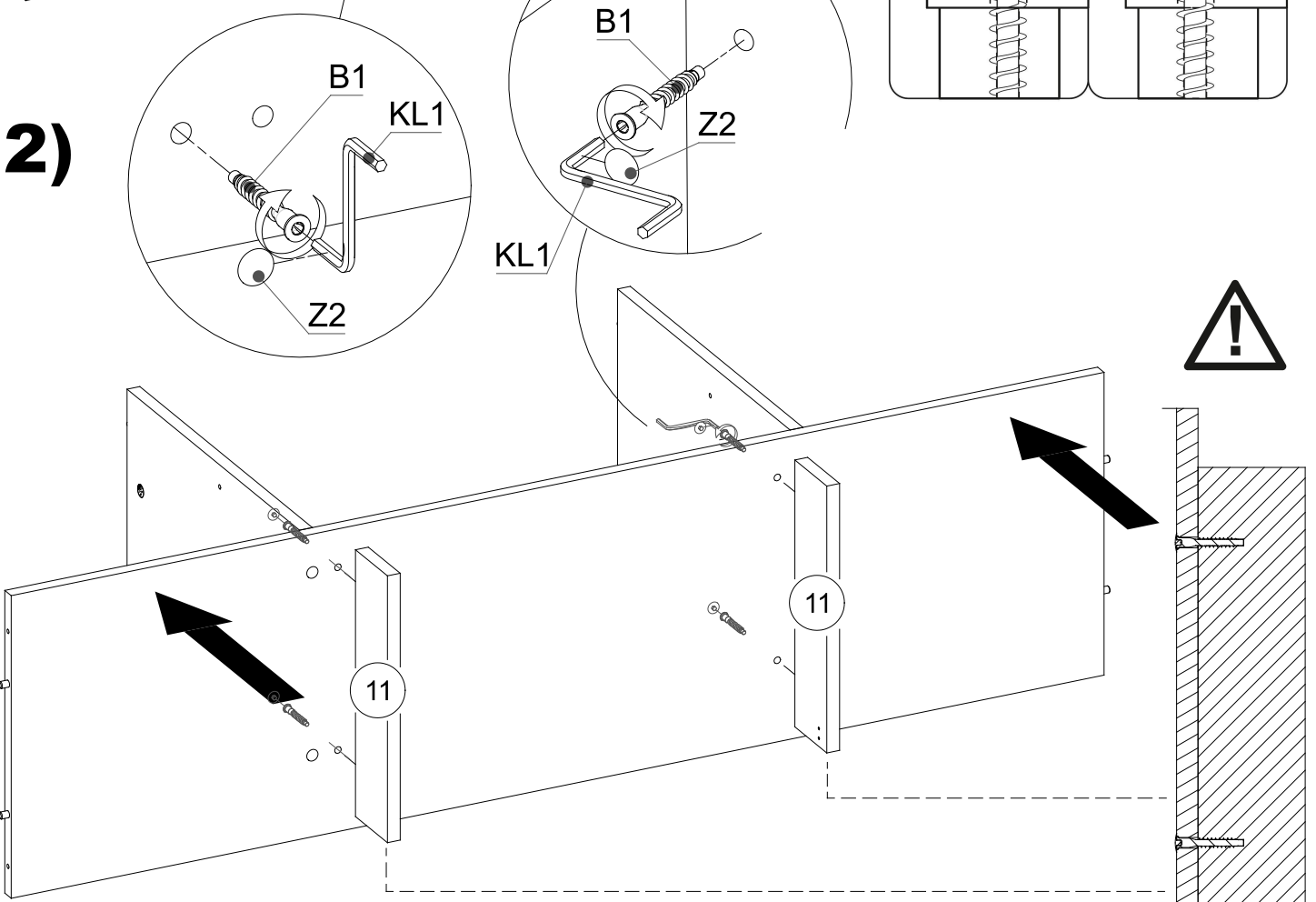
► 5



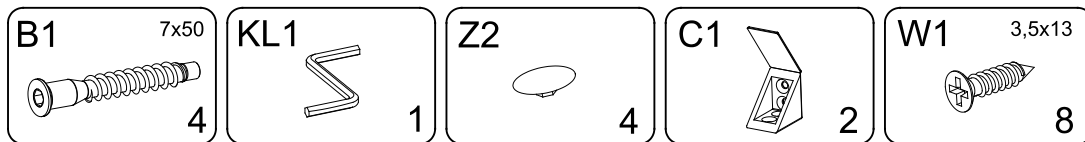
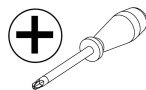
1)



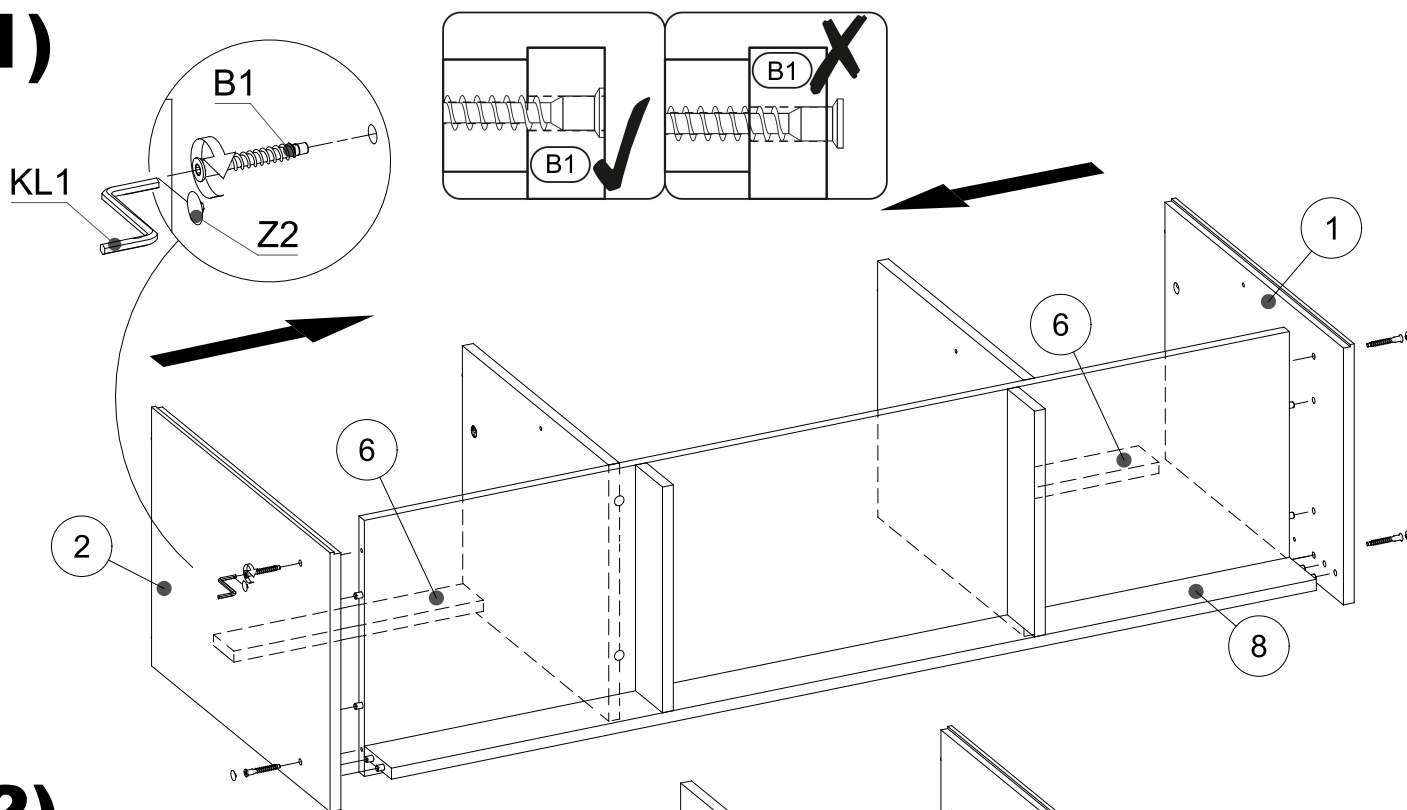
2)



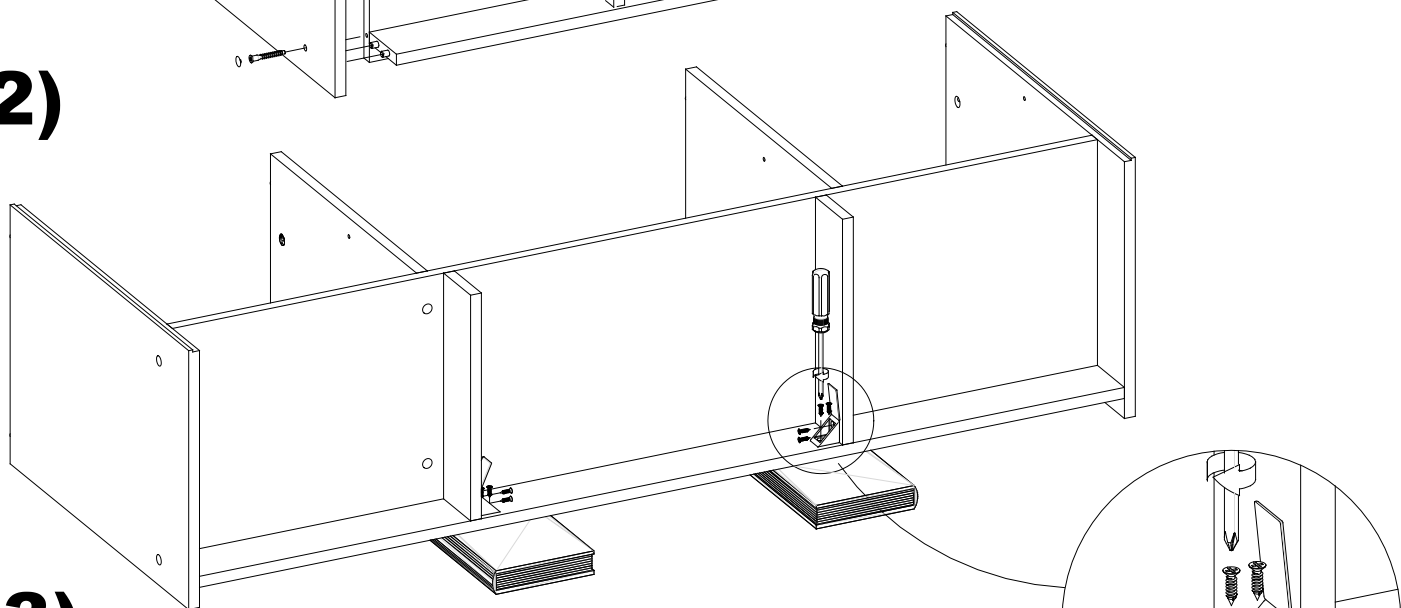
▶ 6



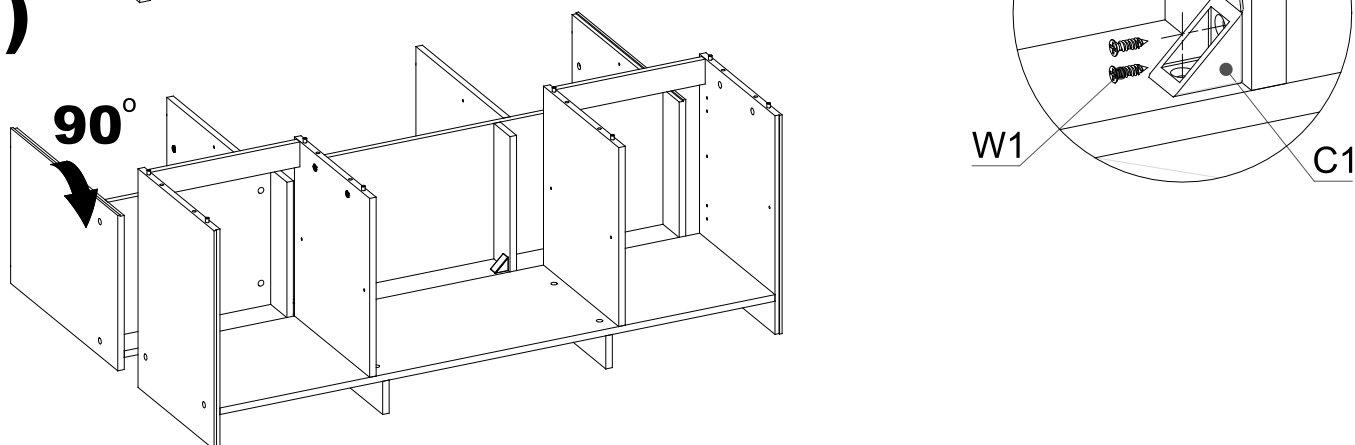
1)



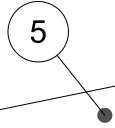
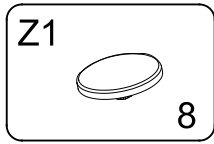
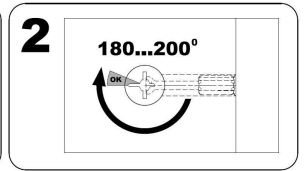
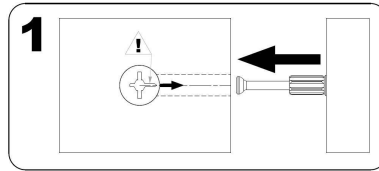
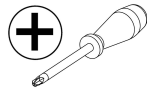
2)



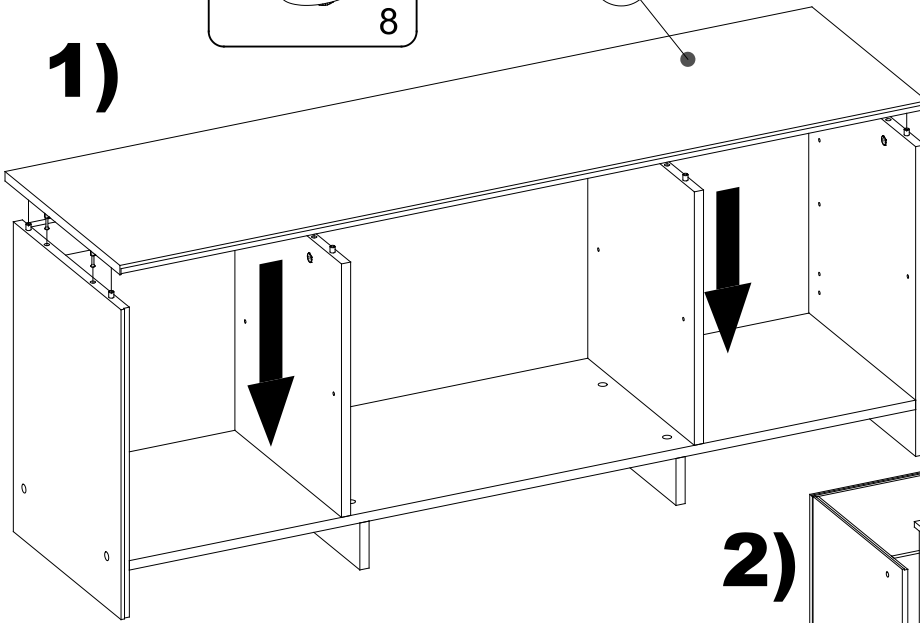
3)



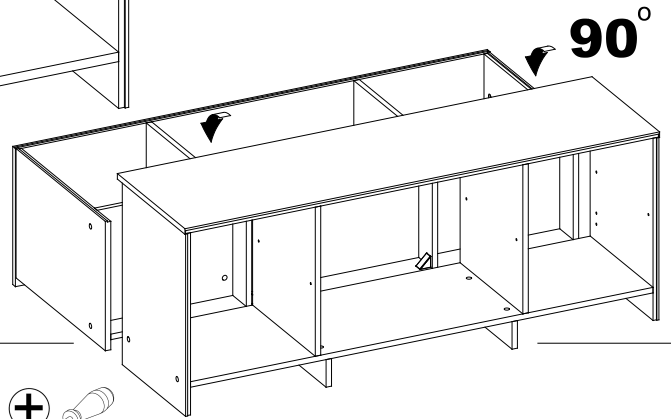
▶ 7



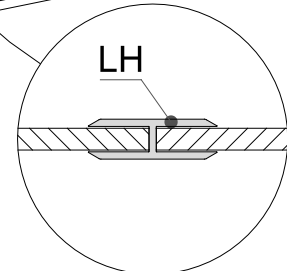
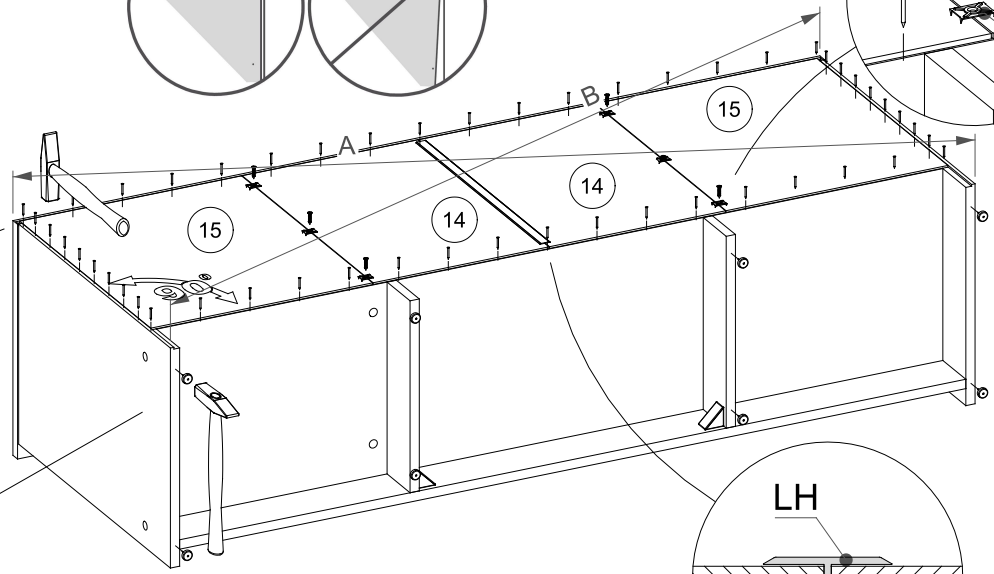
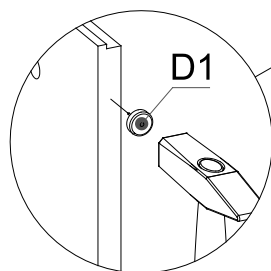
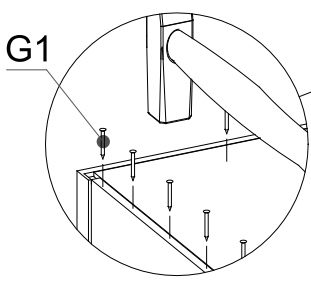
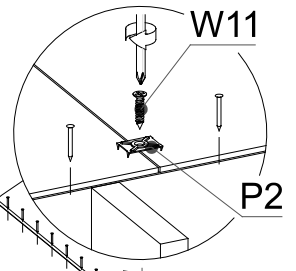
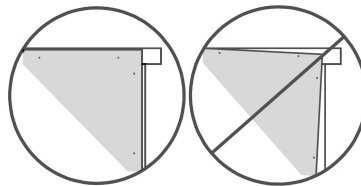
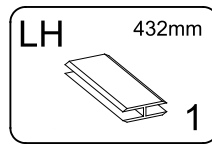
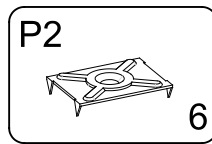
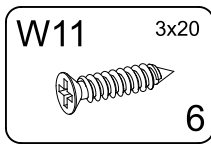
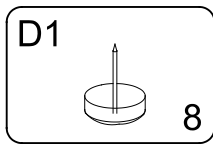
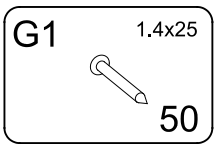
1)



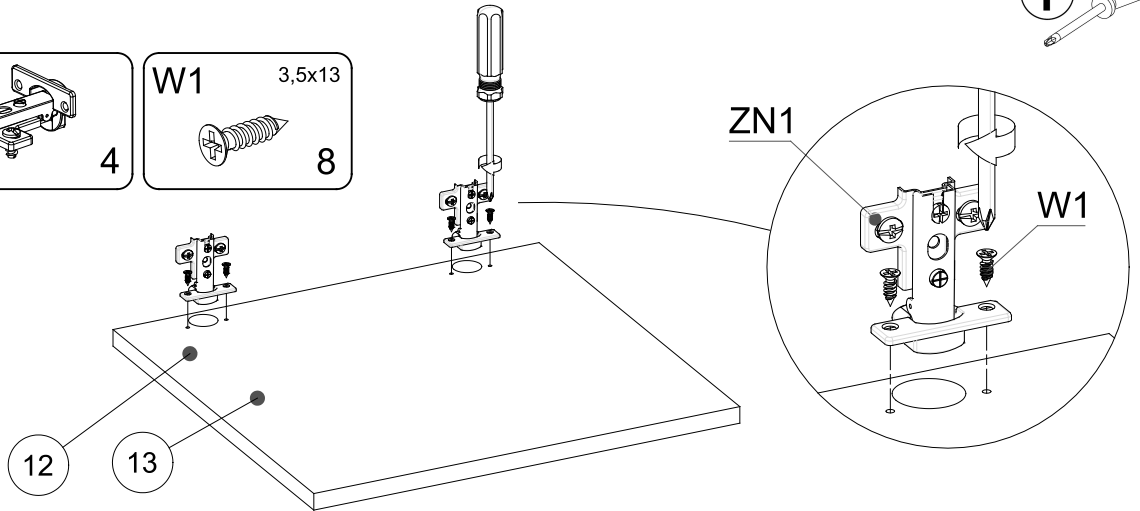
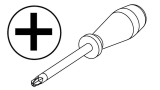
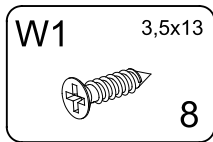
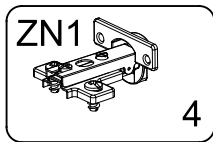
2)



▶ 8



9



10

