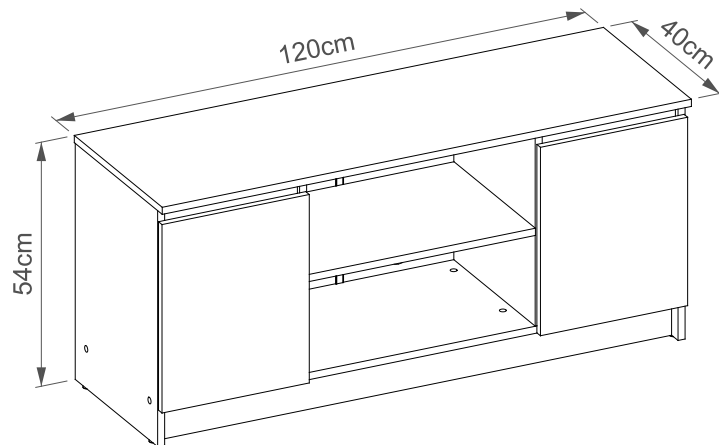
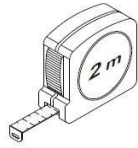
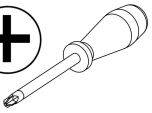
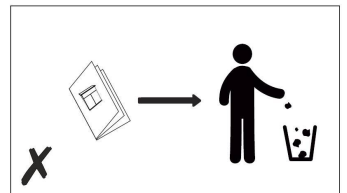
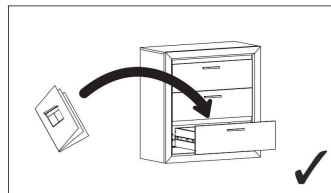
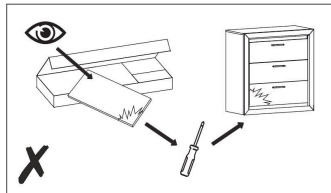
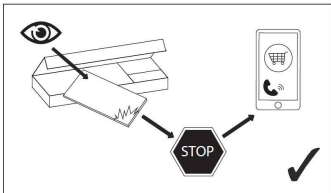
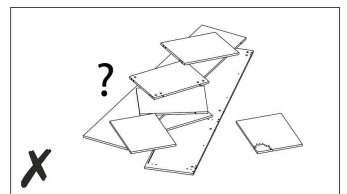
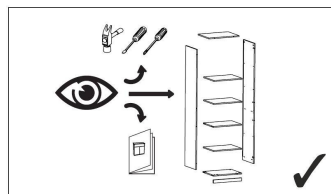
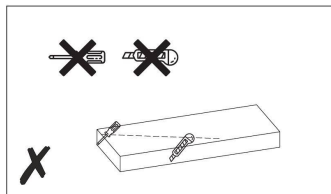
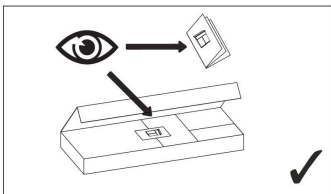
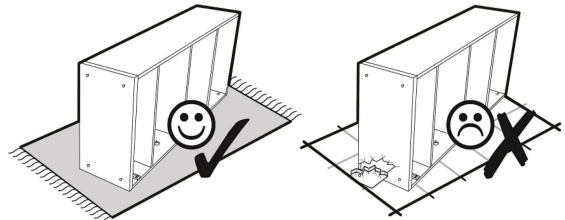
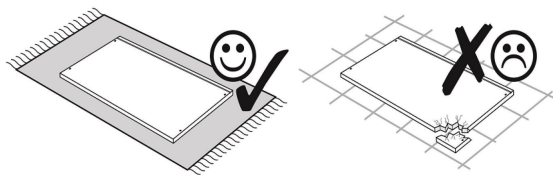
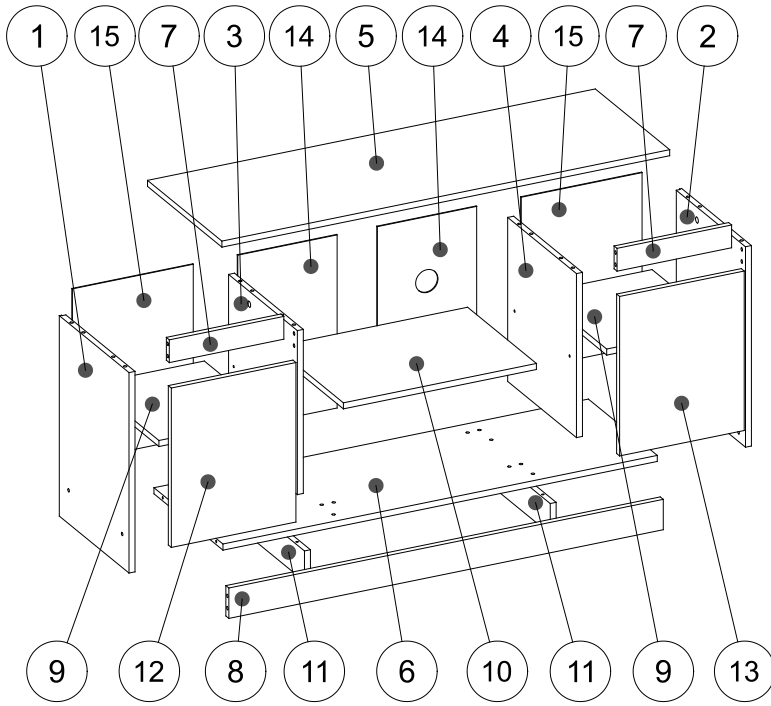




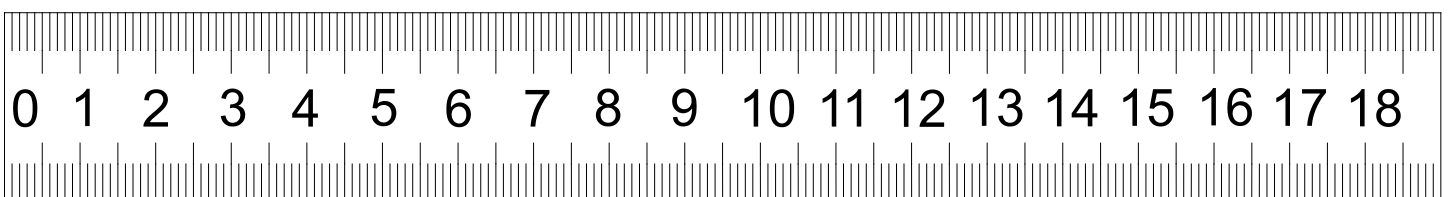
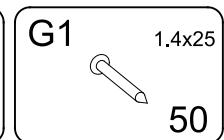
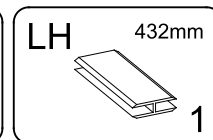
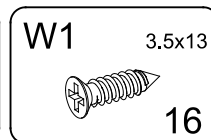
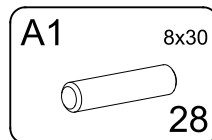
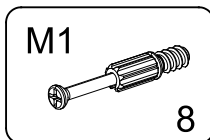
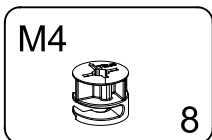
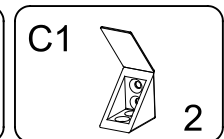
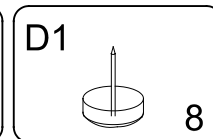
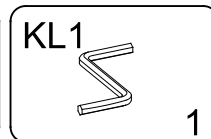
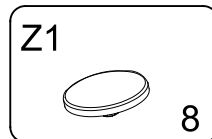
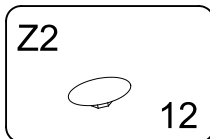
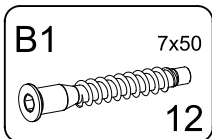
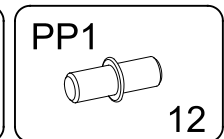
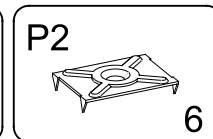
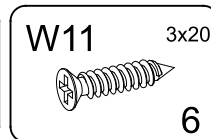
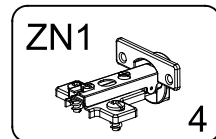
~90 min



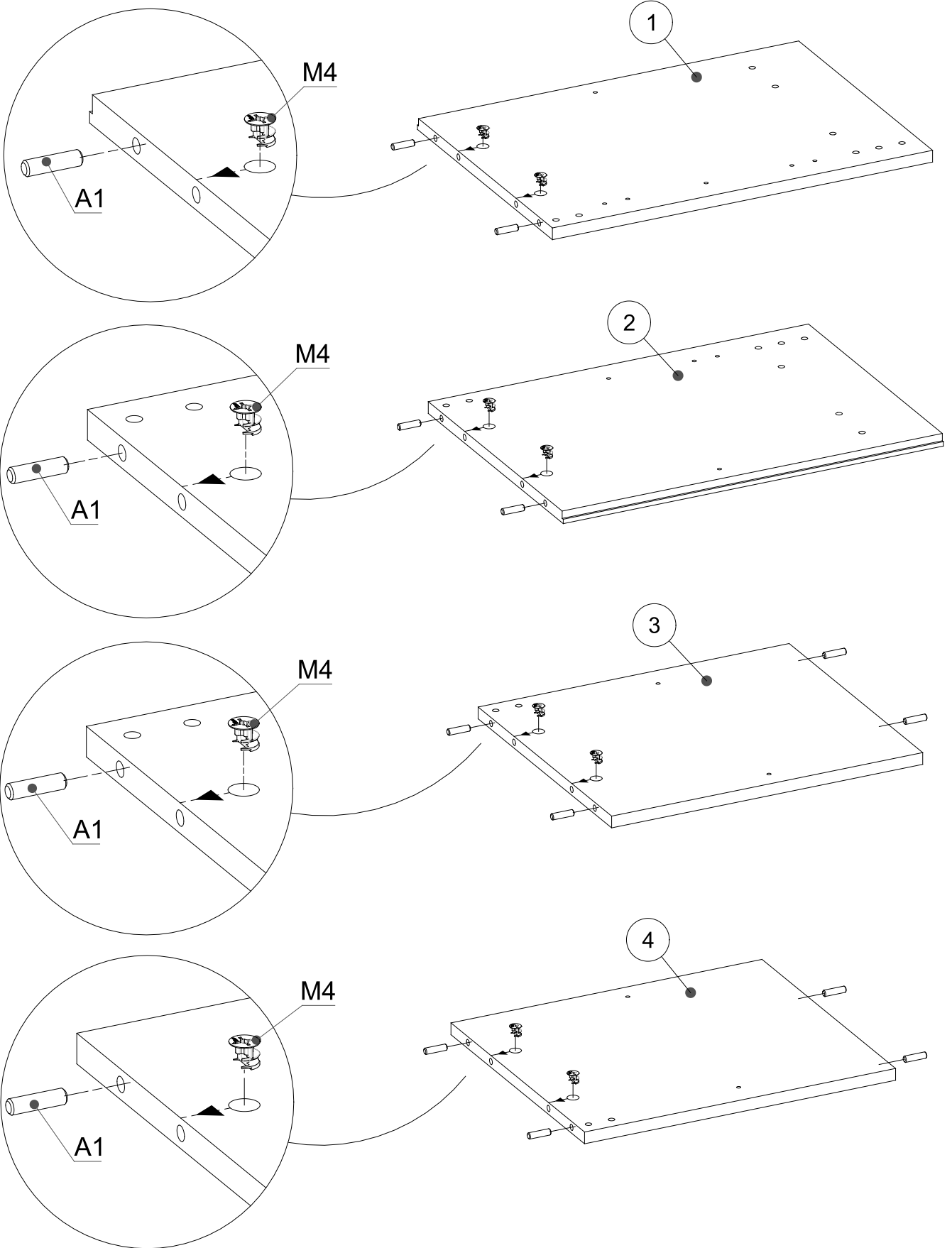
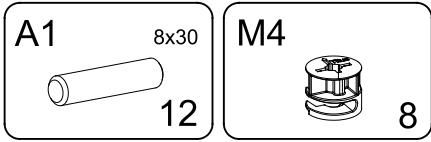
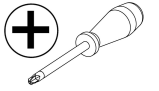




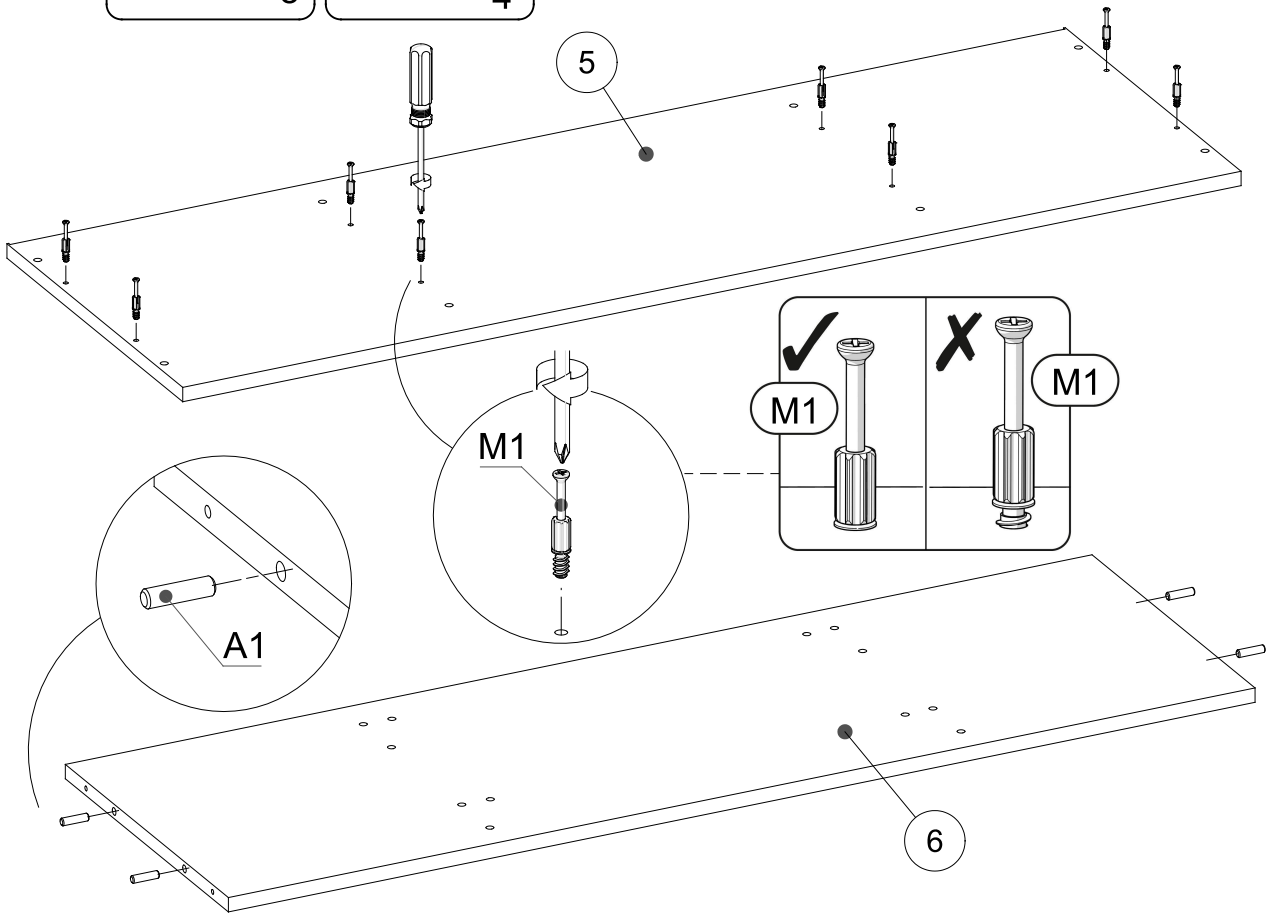
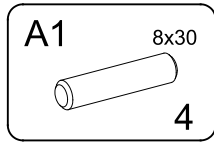
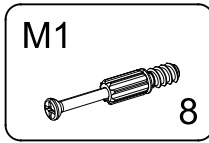
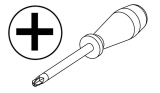
1	528x375x16mm	1
2	528x375x16mm	1
3	432x370x16mm	1
4	432x370x16mm	1
5	1204x400x16mm	1
6	1168x371x16mm	1
7	308x60x16mm	2
8	1168x80x16mm	1
9	307x370x16mm	2
10	519x370x16mm	1
11	327x80x16mm	2
12	420x335x16mm	1
13	420x335x16mm	1
14	456x267x3mm	2
15	456x325x3mm	2



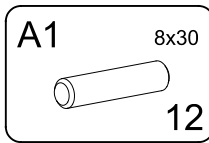
▶ 1



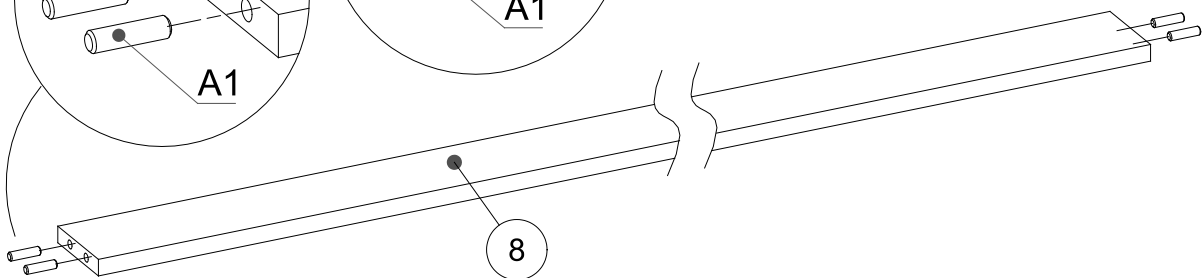
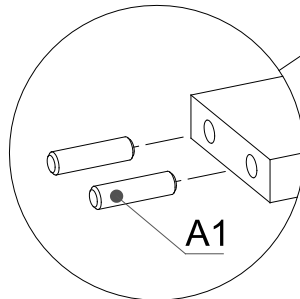
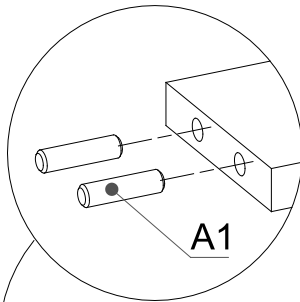
# ▶ 3



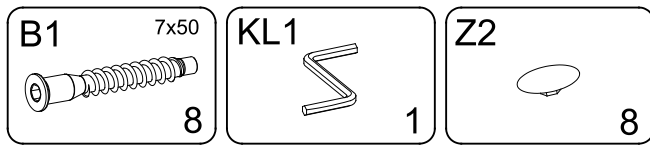
# ▶ 4



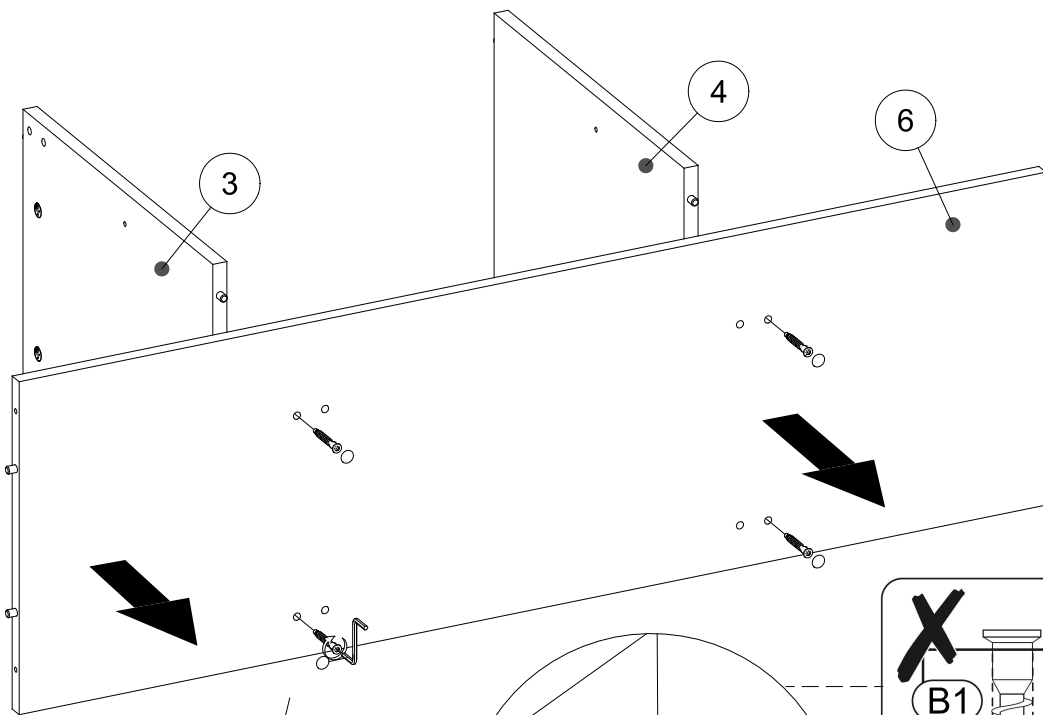
**2x** (7)



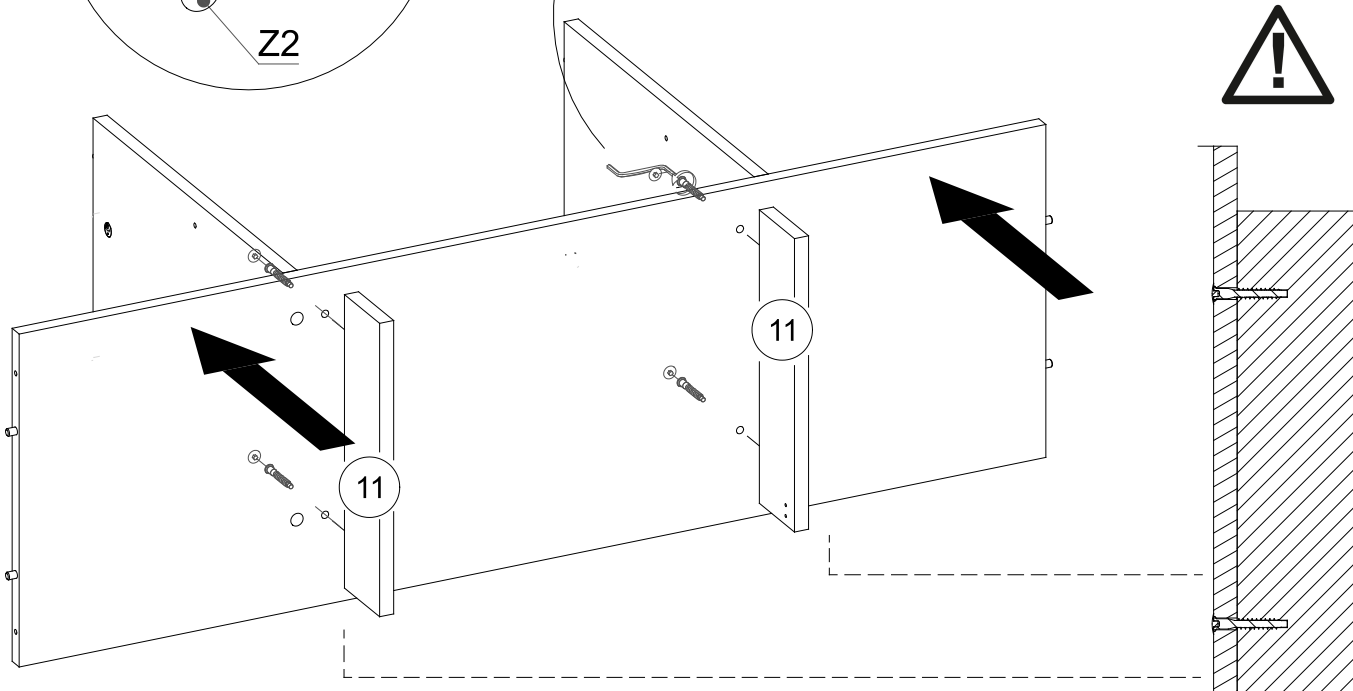
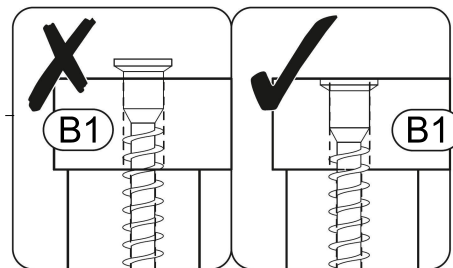
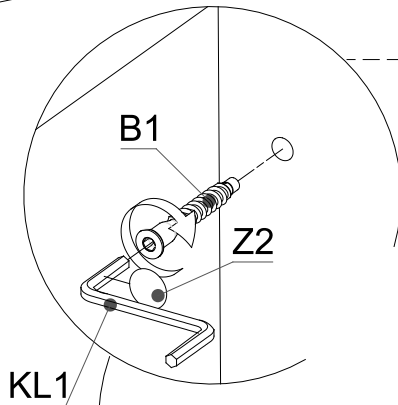
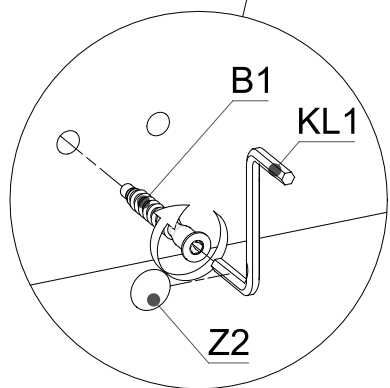
# ► 5



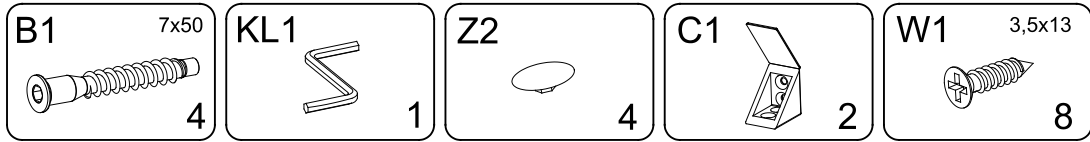
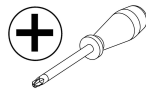
## 1)



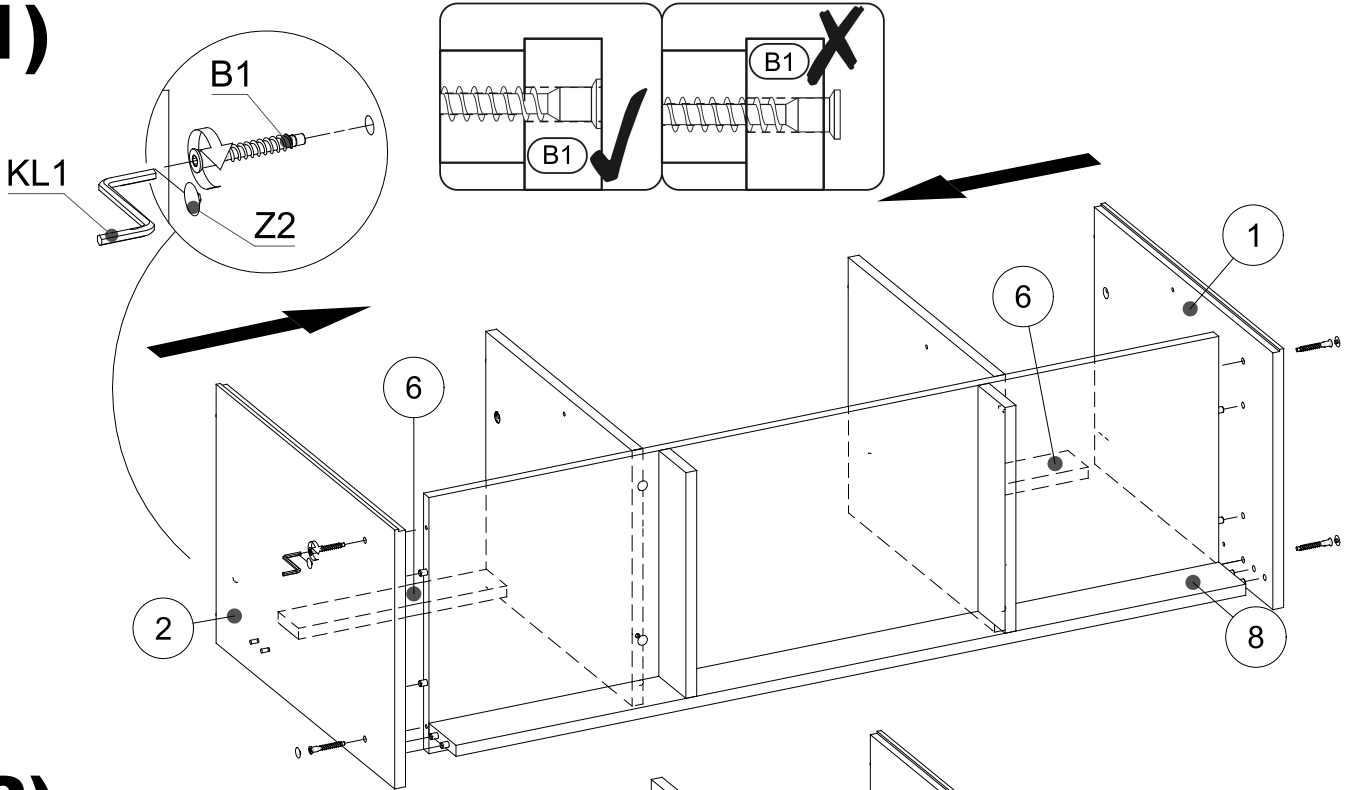
## 2)



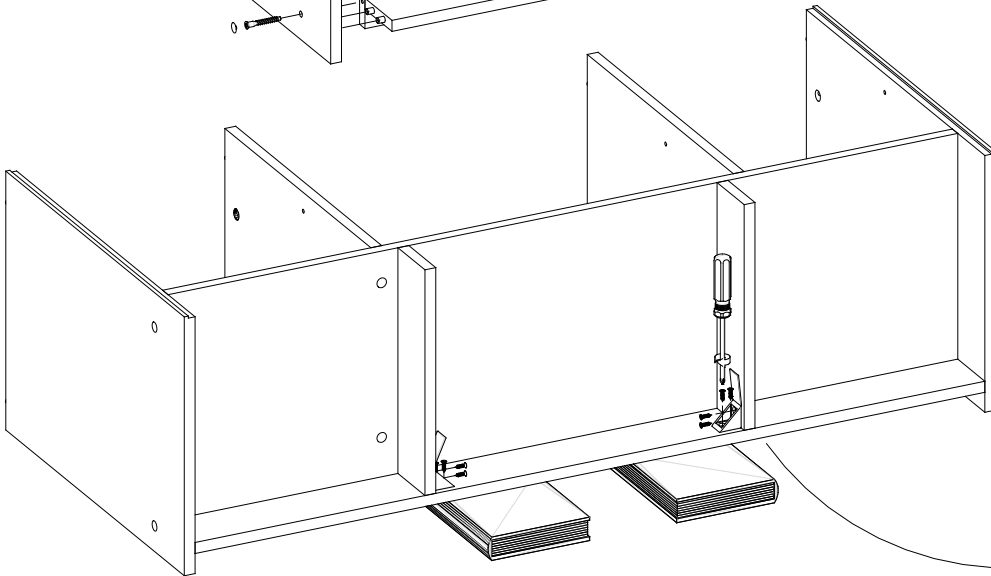
# ▶ 6



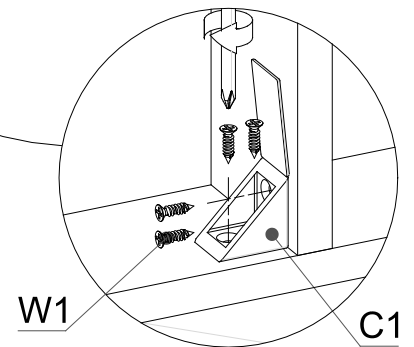
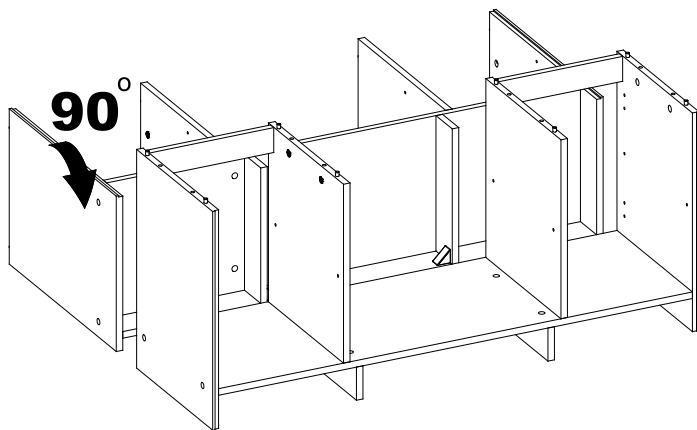
## 1)



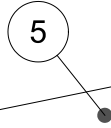
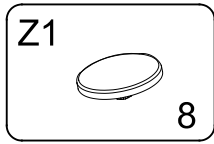
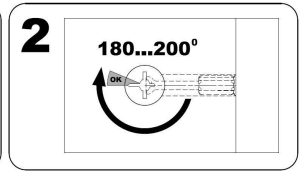
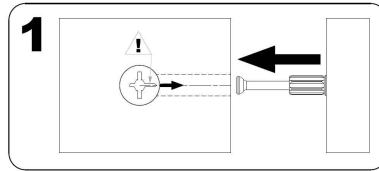
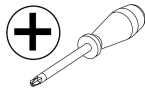
## 2)



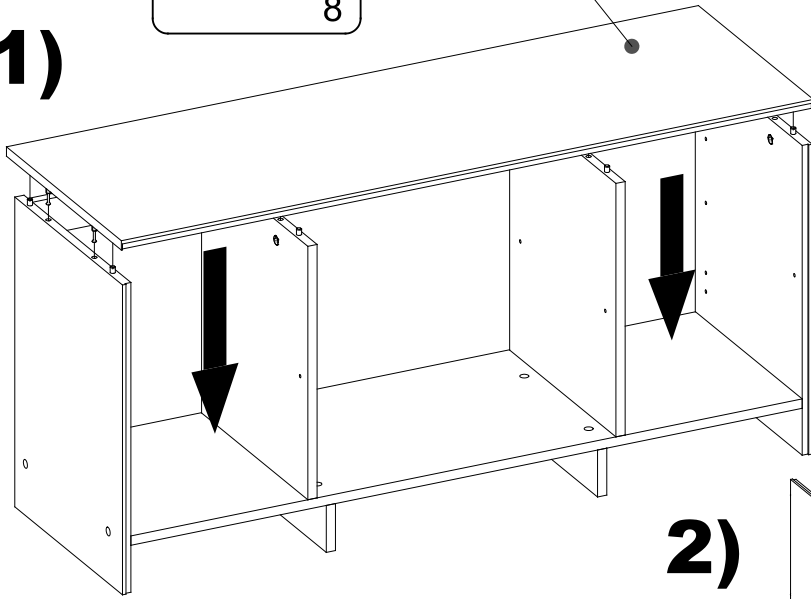
## 3)



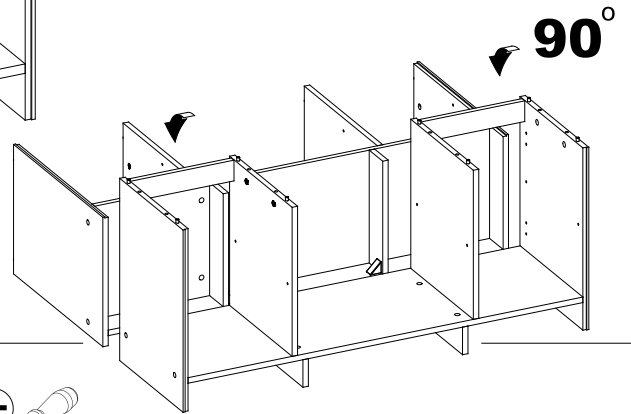
▶ 7



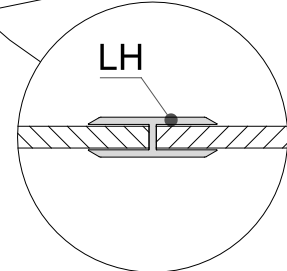
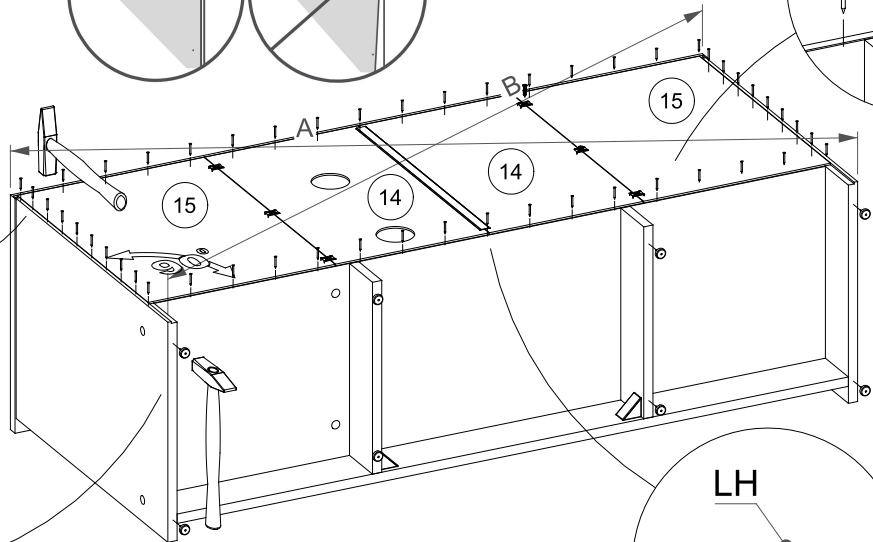
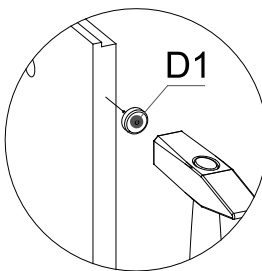
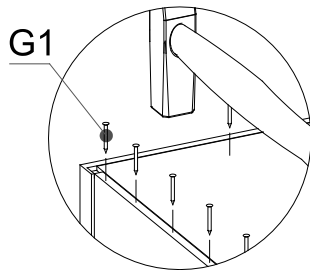
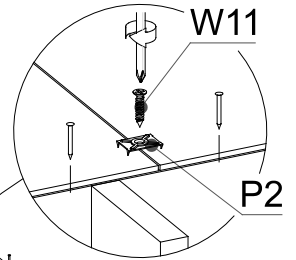
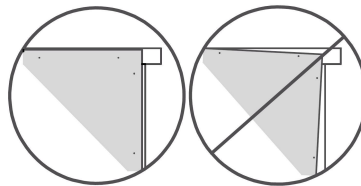
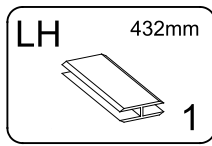
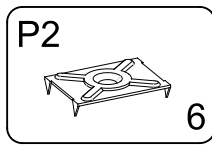
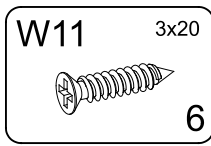
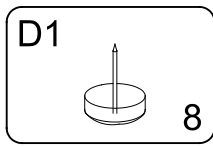
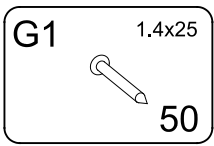
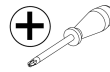
1)



2)

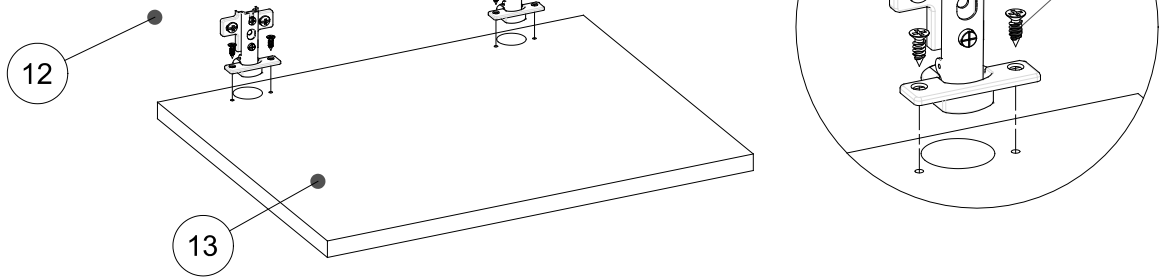
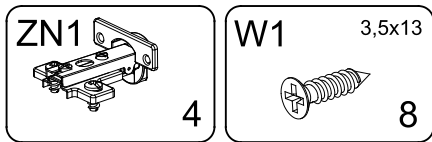
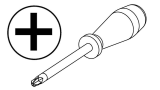


▶ 8





# 9



# 10

