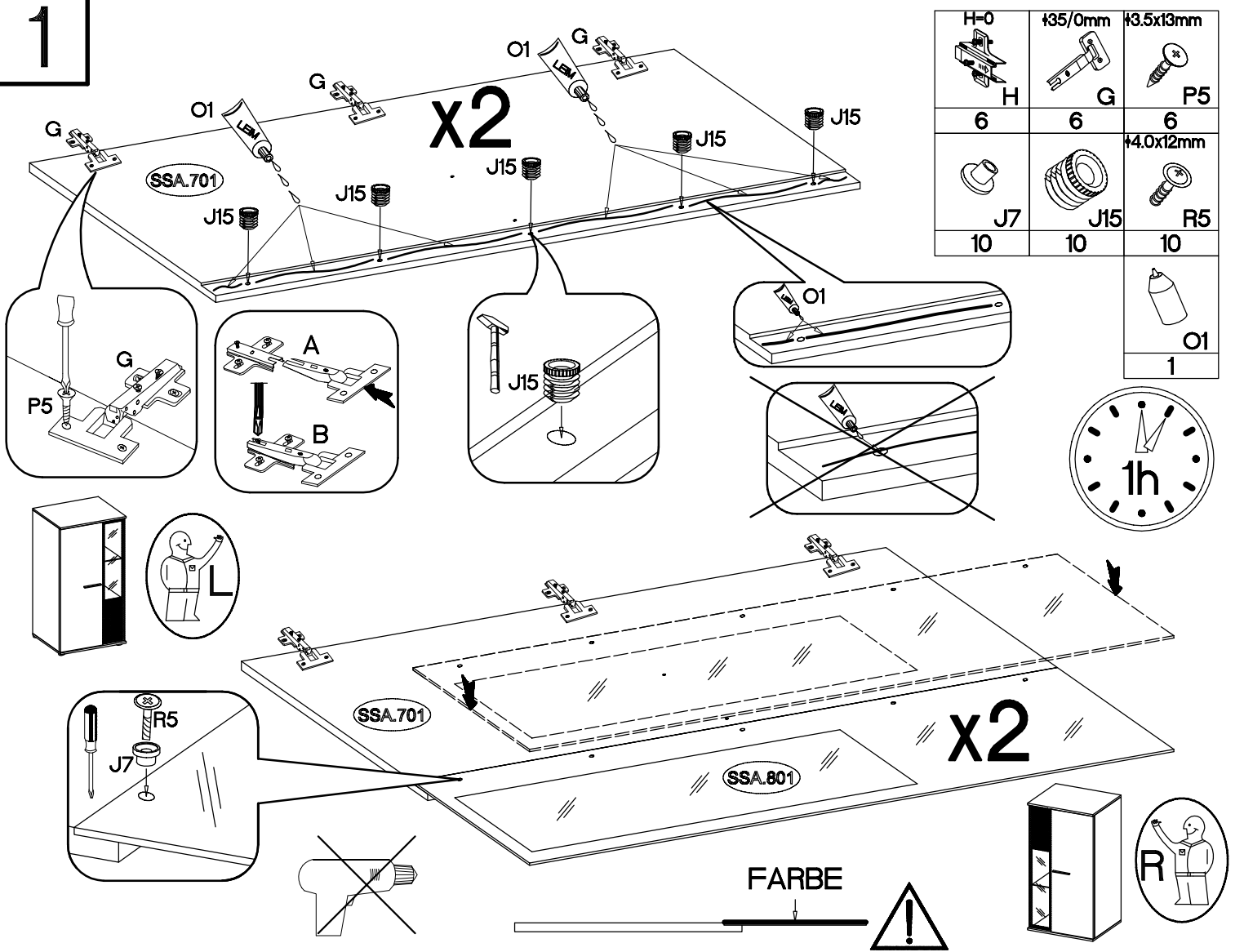
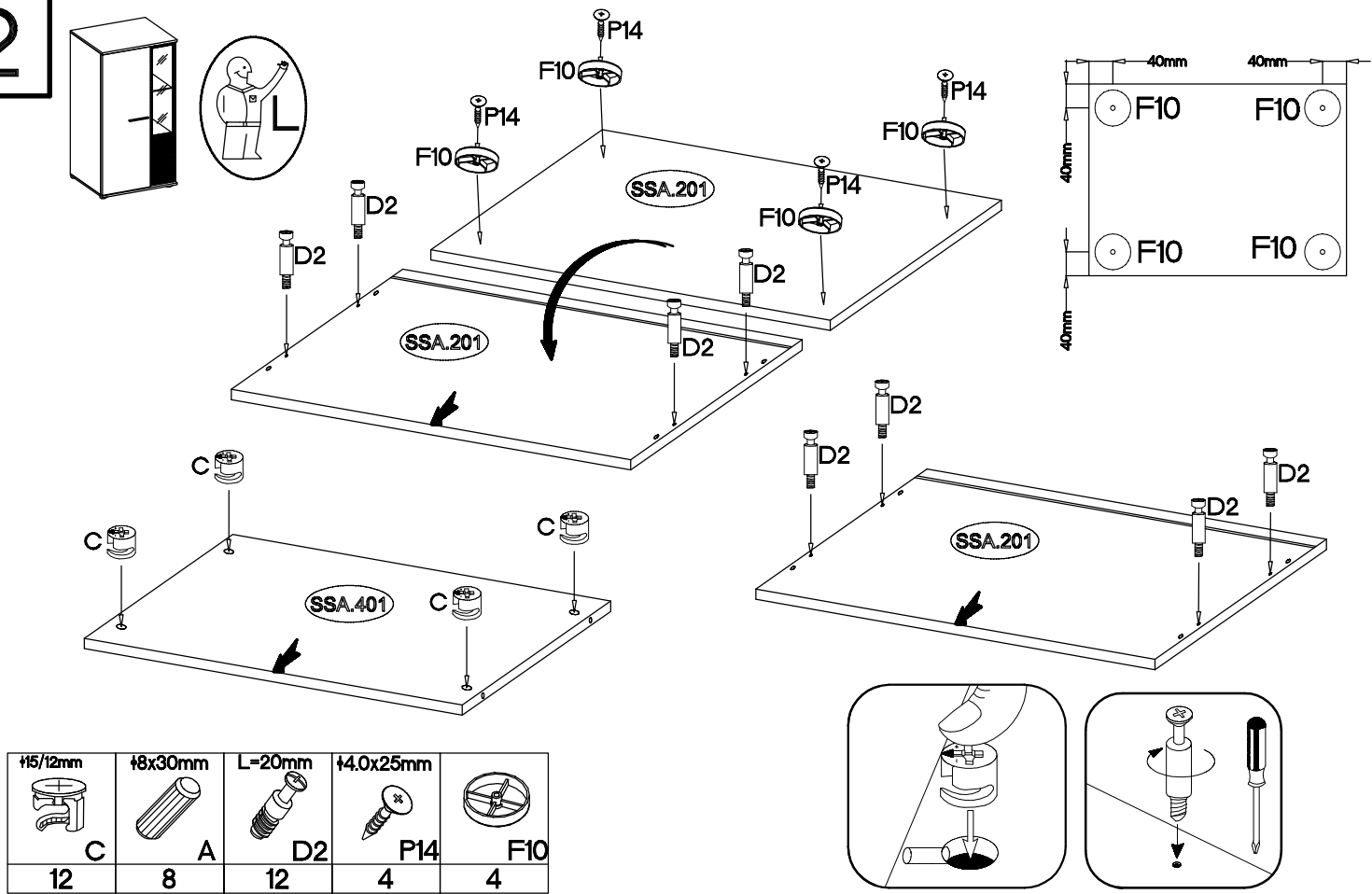


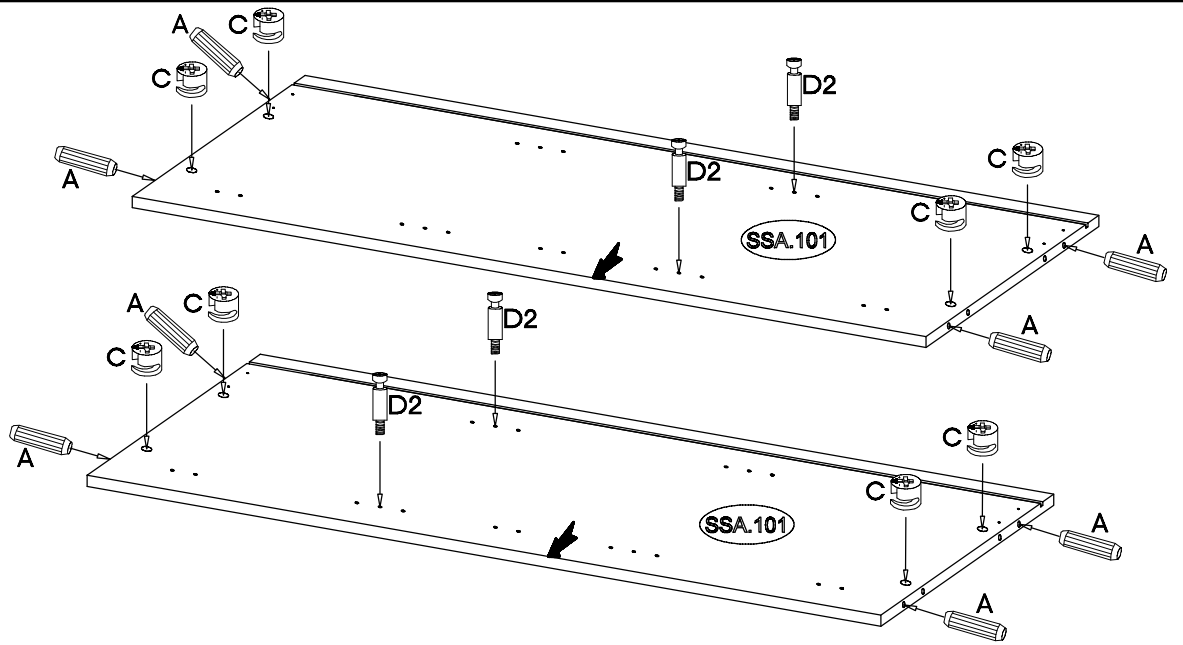
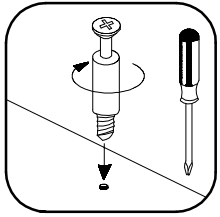
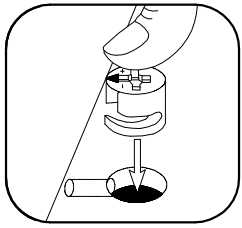
1B	L=128mm	+4.0x30mm		2B	H=0	+35/0mm	+3.5x13mm	J5			
			S11		R2					H	G
	2	4			6	6	12	4			
3B	+15/12mm	+8x30mm	L=20mm	+4.0x25mm				+4.0x12mm	0,05		
					F10	J7	J15	R5	O11	L	
	24	16	24	4	4	10	10	10	1	12	
+3.0x20mm				+5/16mm		+4.0x30mm	+3.5x13mm		+10x50mm	+5.0x60mm	
	P7	L2	E	J12	K	P8	P5	L9	O7	P12	K16
	8	8	24	8	2	4	1	1	5	4	2

1

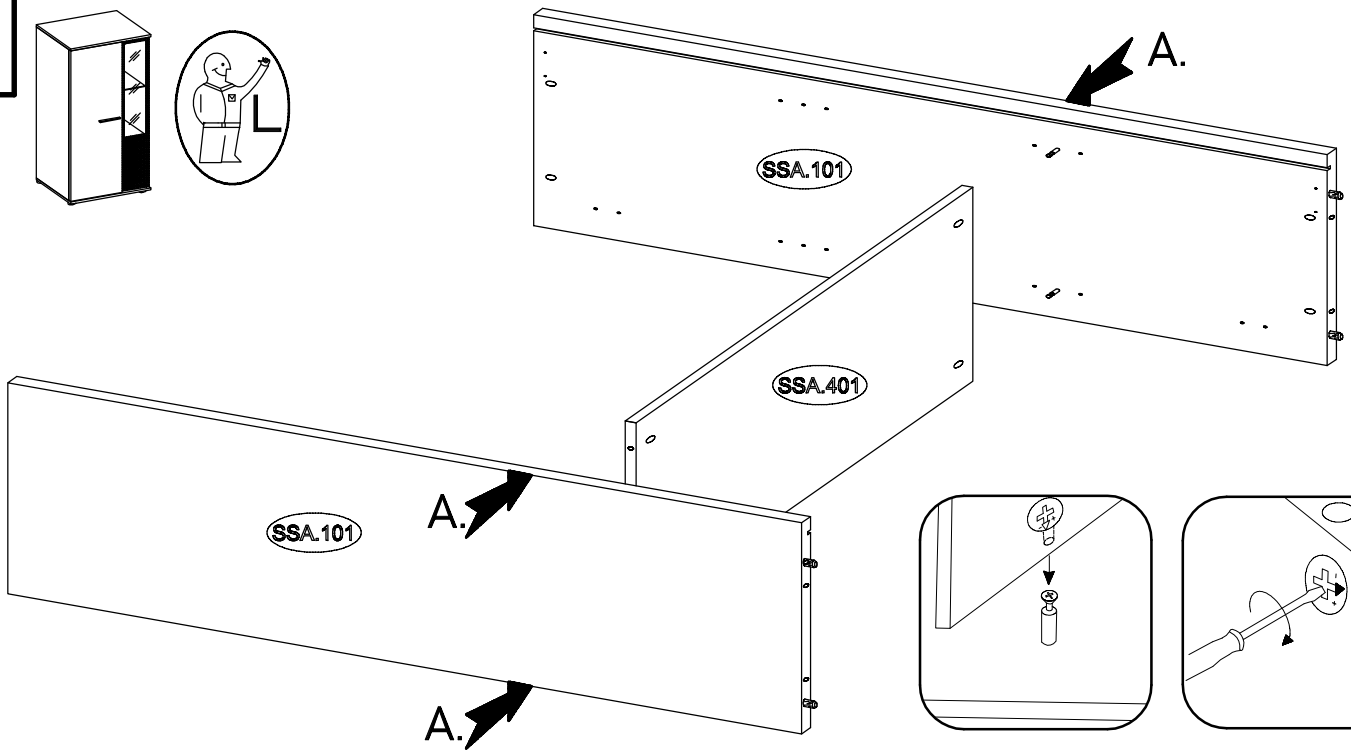
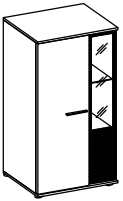


2

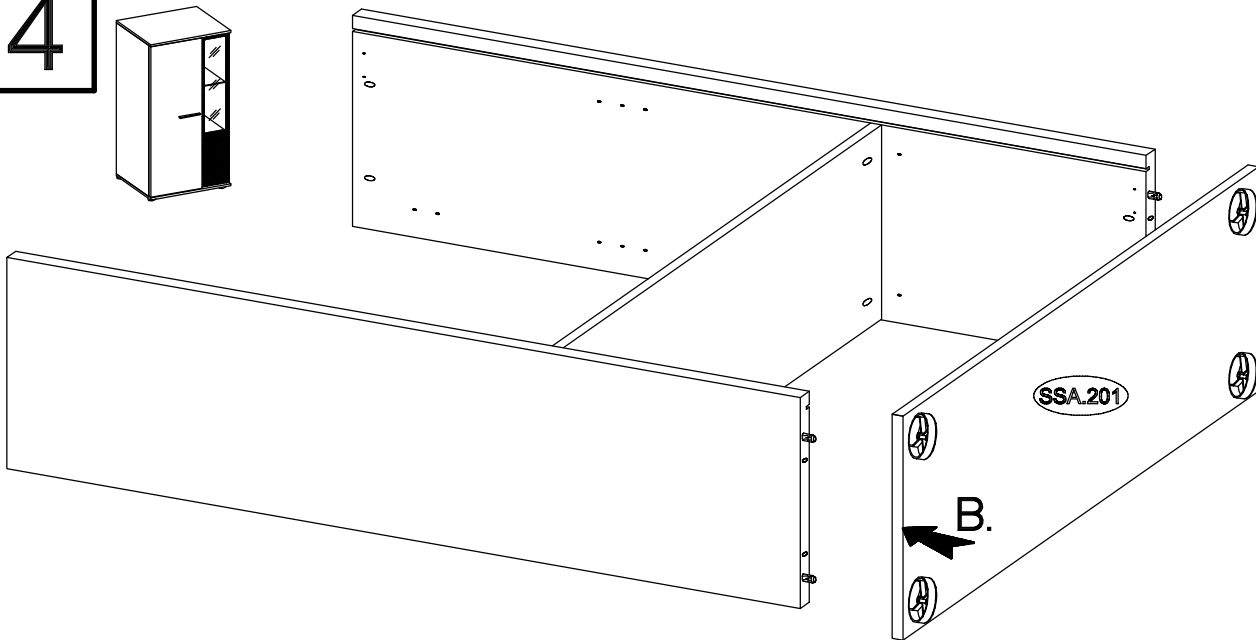
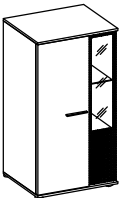




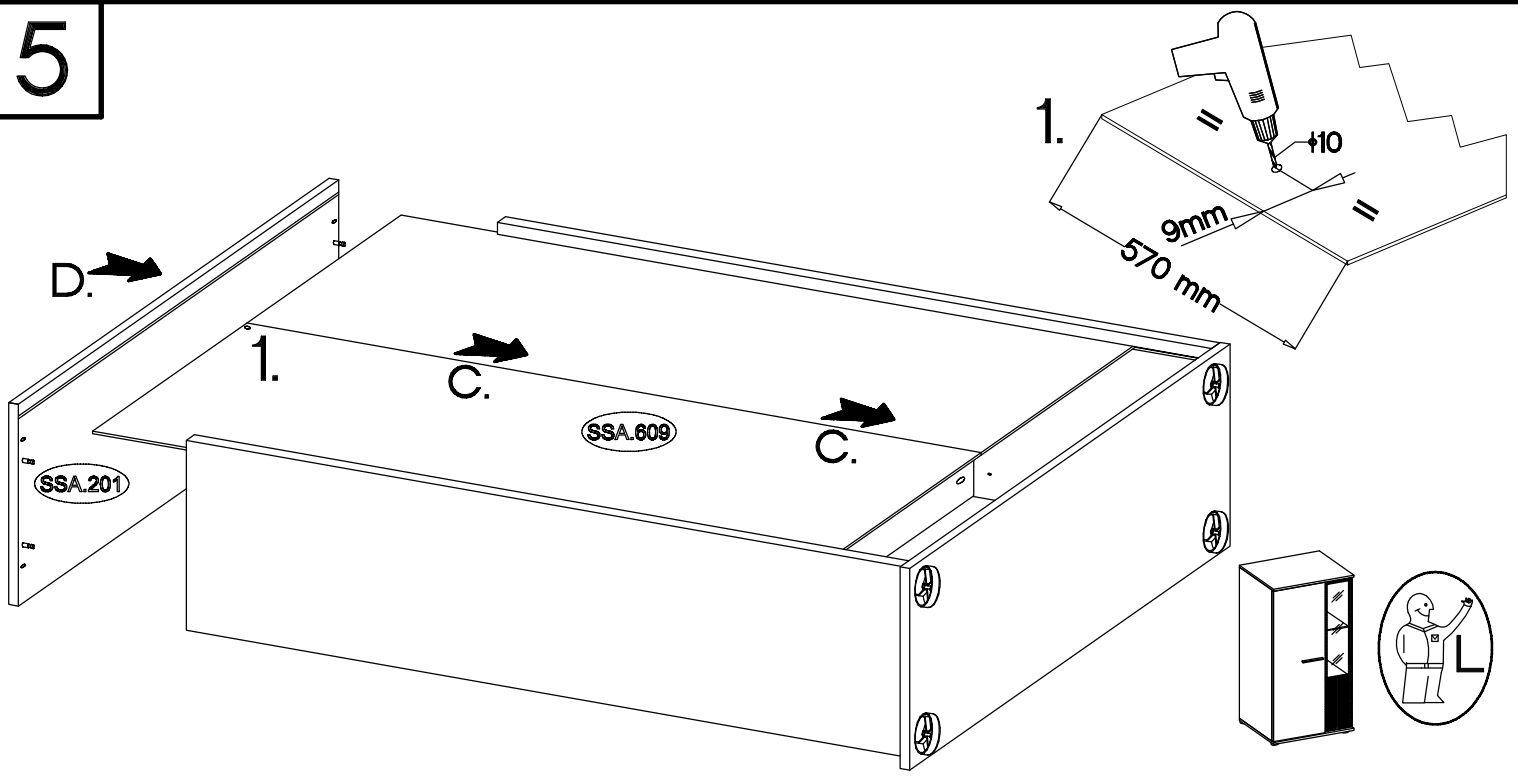
3



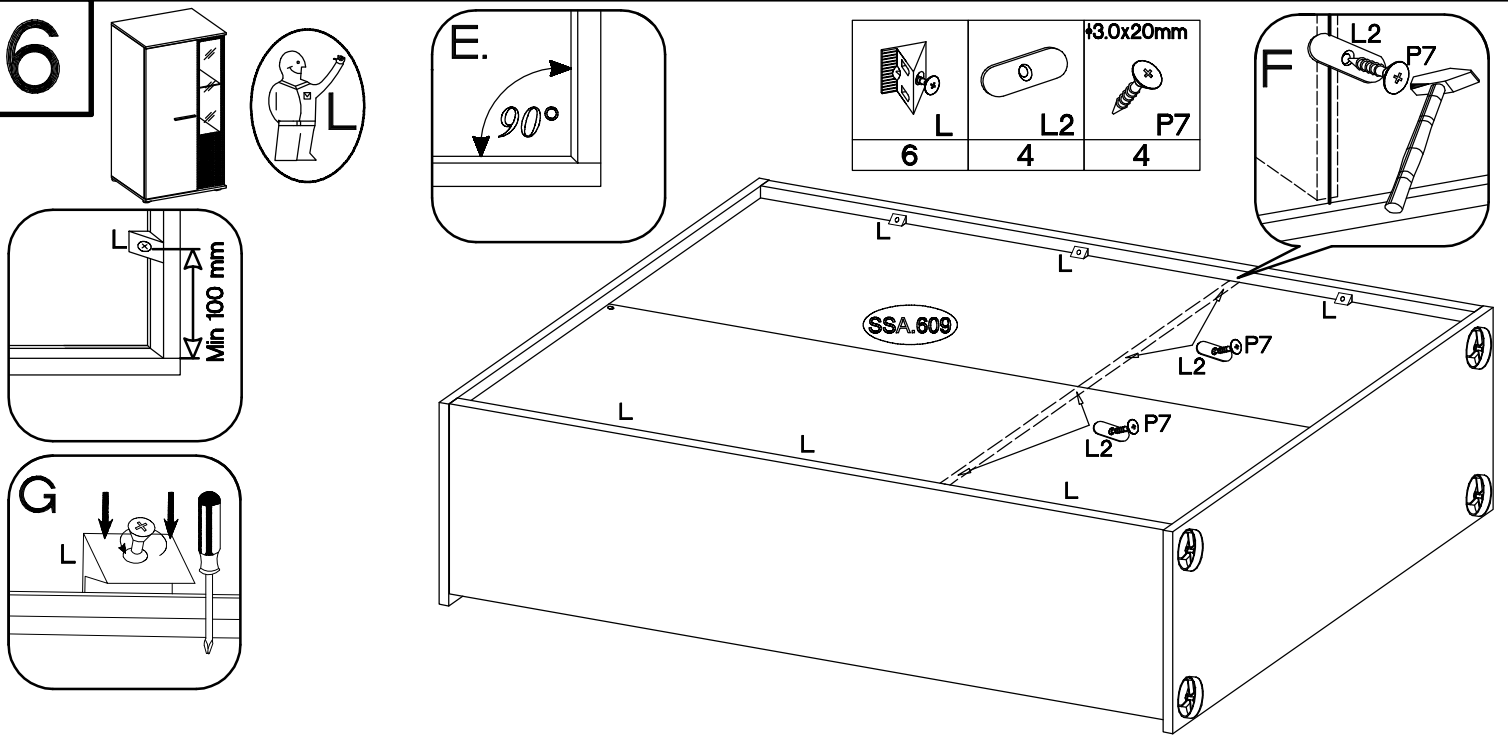
4



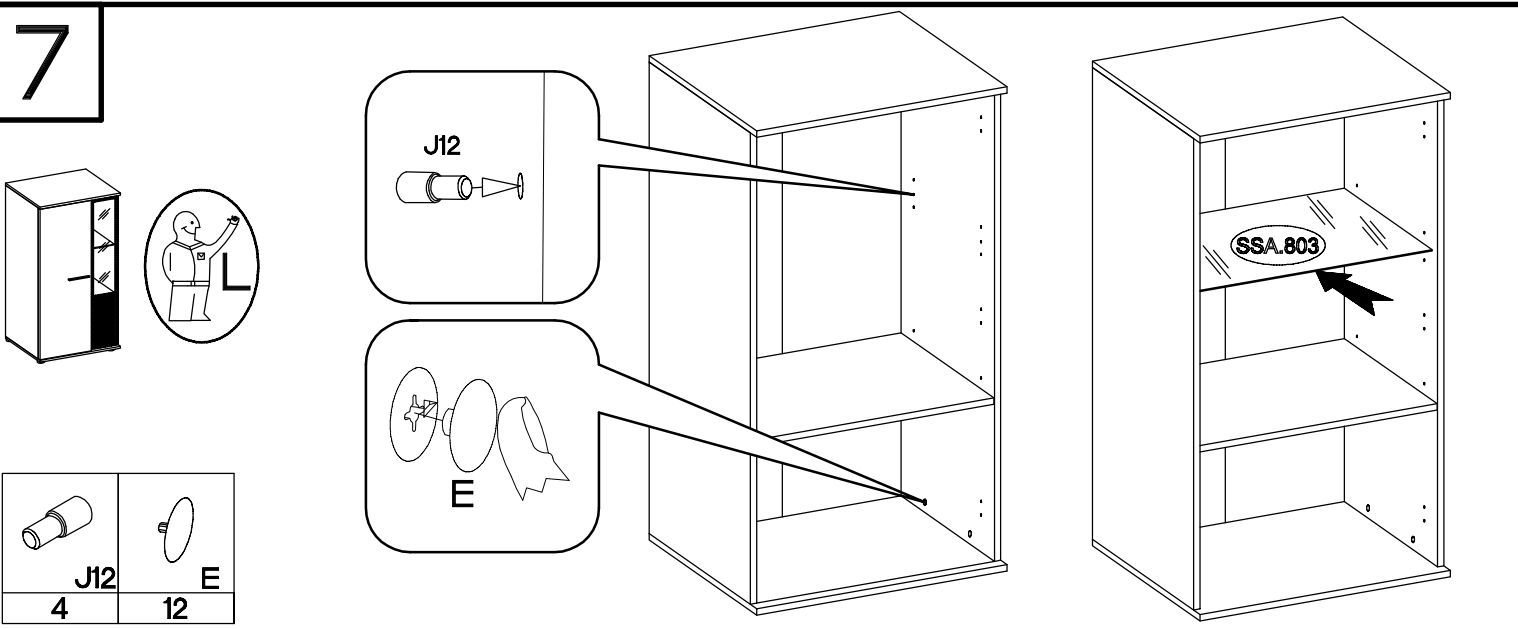
5



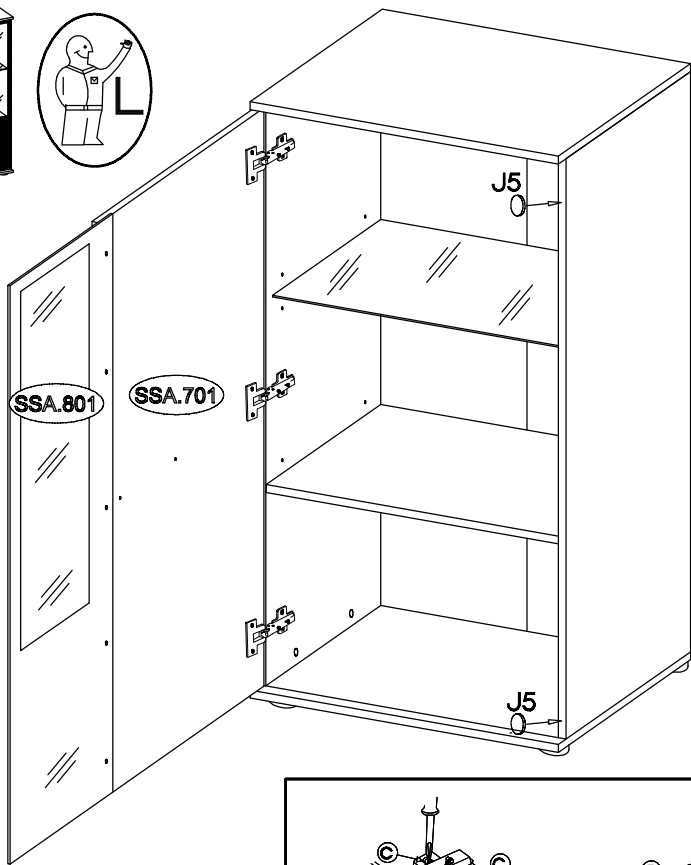
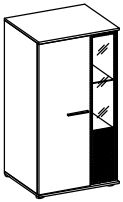
6



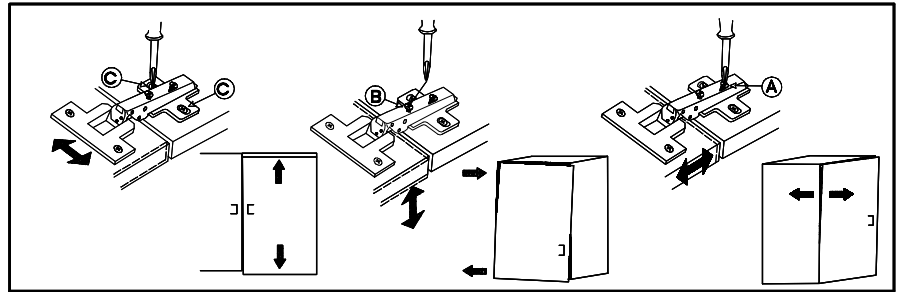
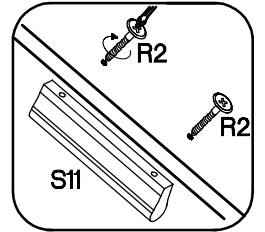
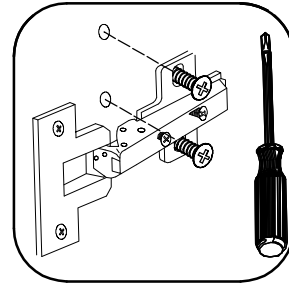
7



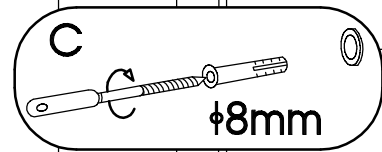
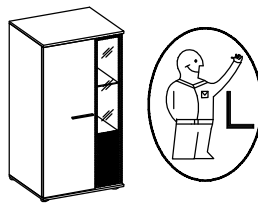
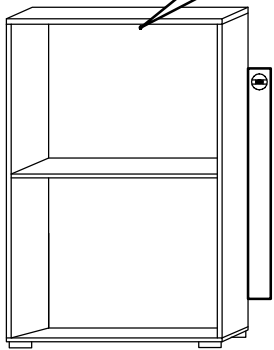
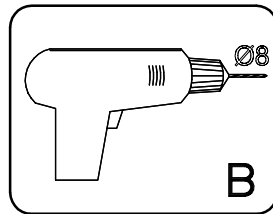
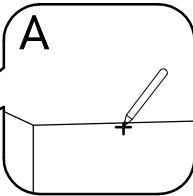
8



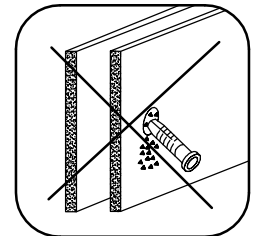
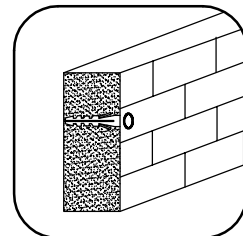
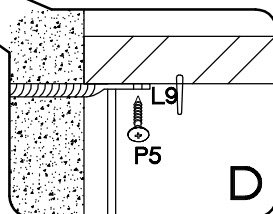
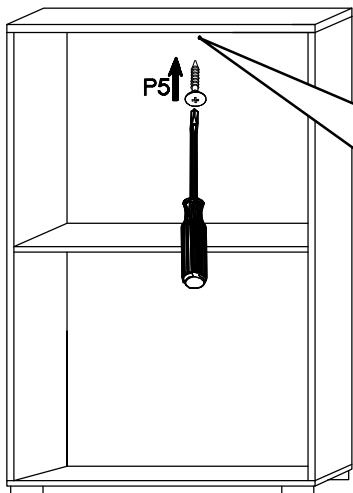
	$\phi 4.0 \times 30 \text{mm}$	L=128mm
J5	R2	S11
2	2	1



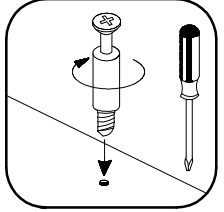
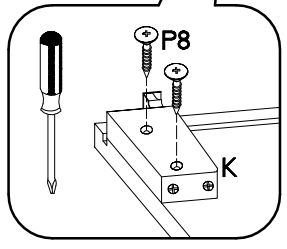
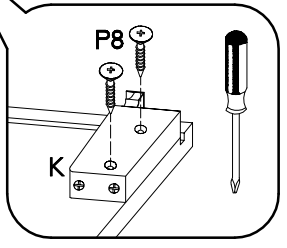
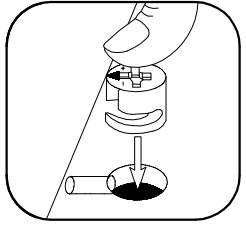
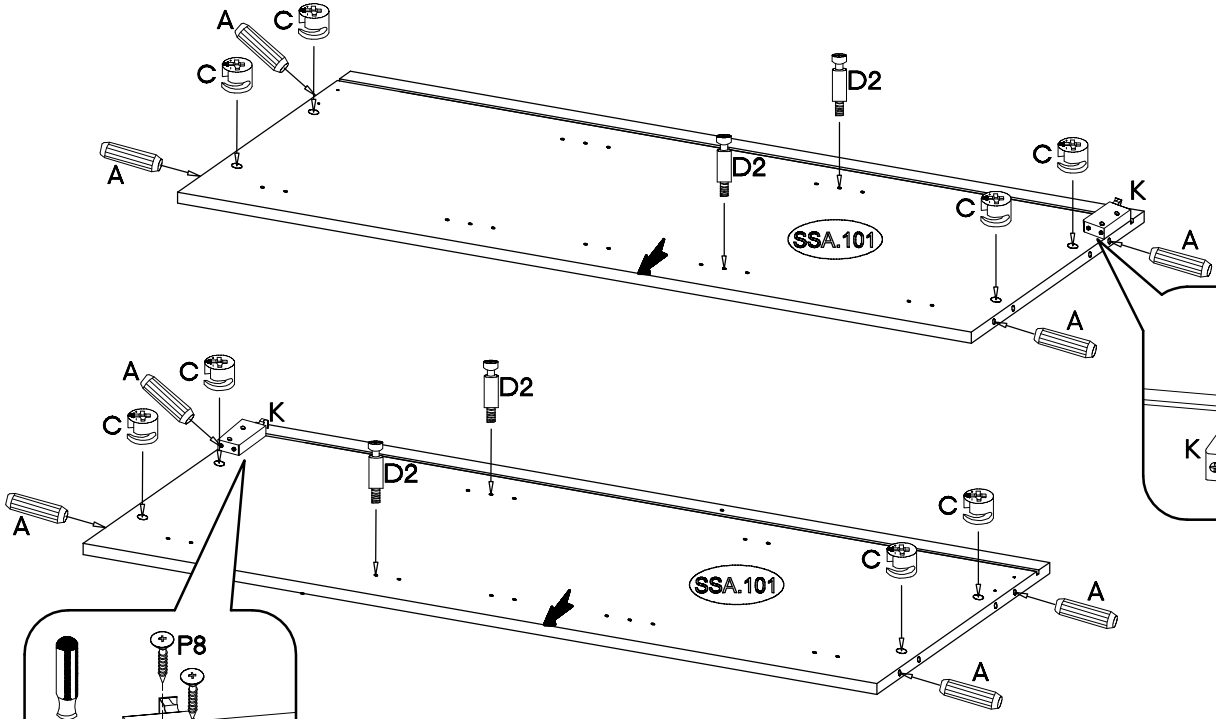
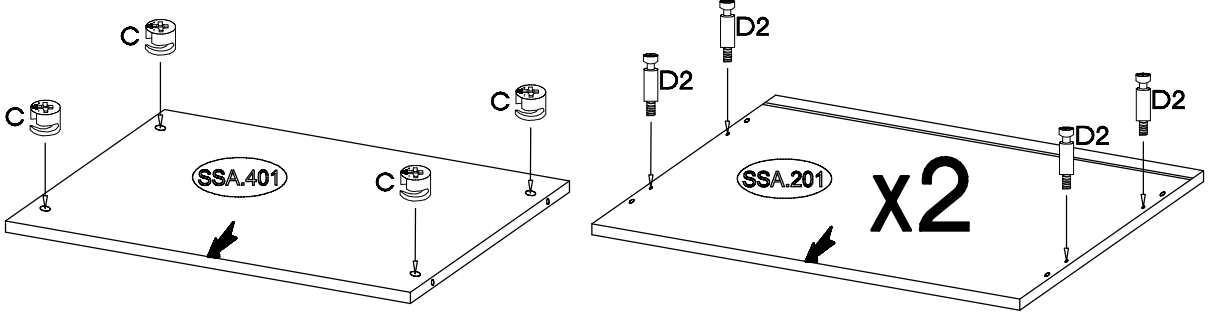
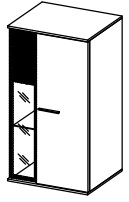
9



	$\phi 3.5 \times 13 \text{mm}$	$\phi 10 \times 50 \text{mm}$
L9	P5	O7
1	1	1

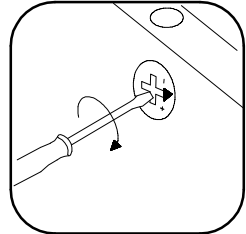
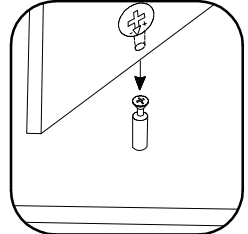
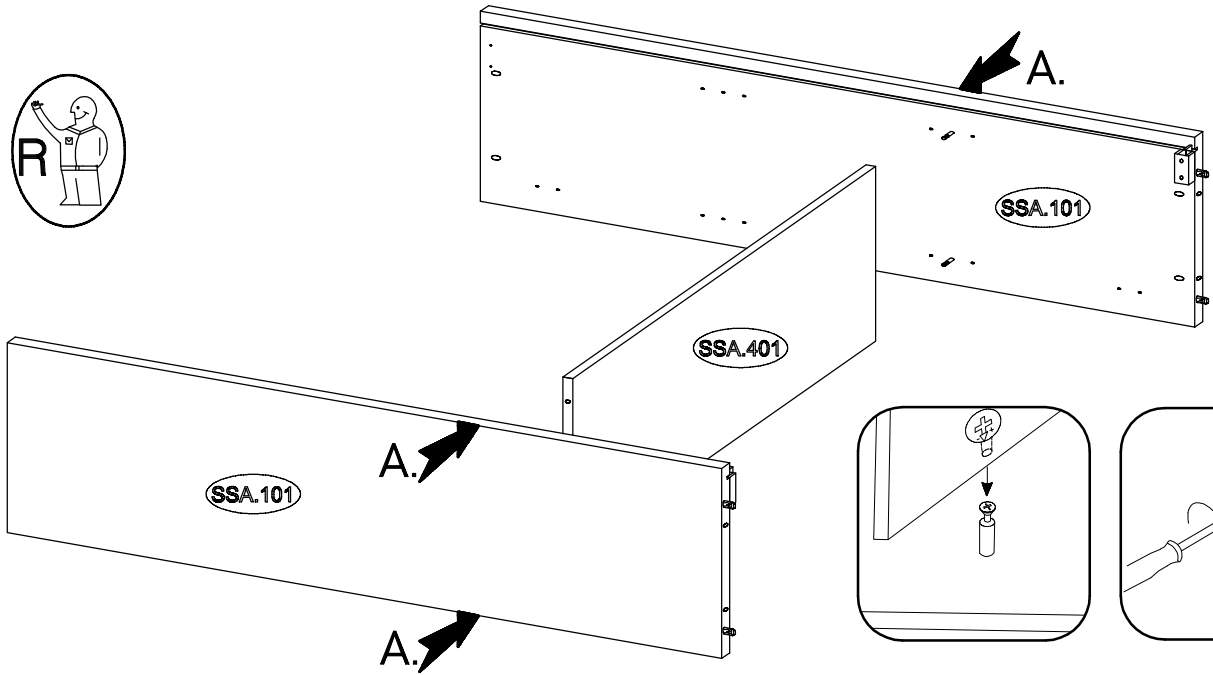
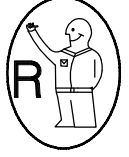
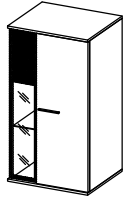


# 10

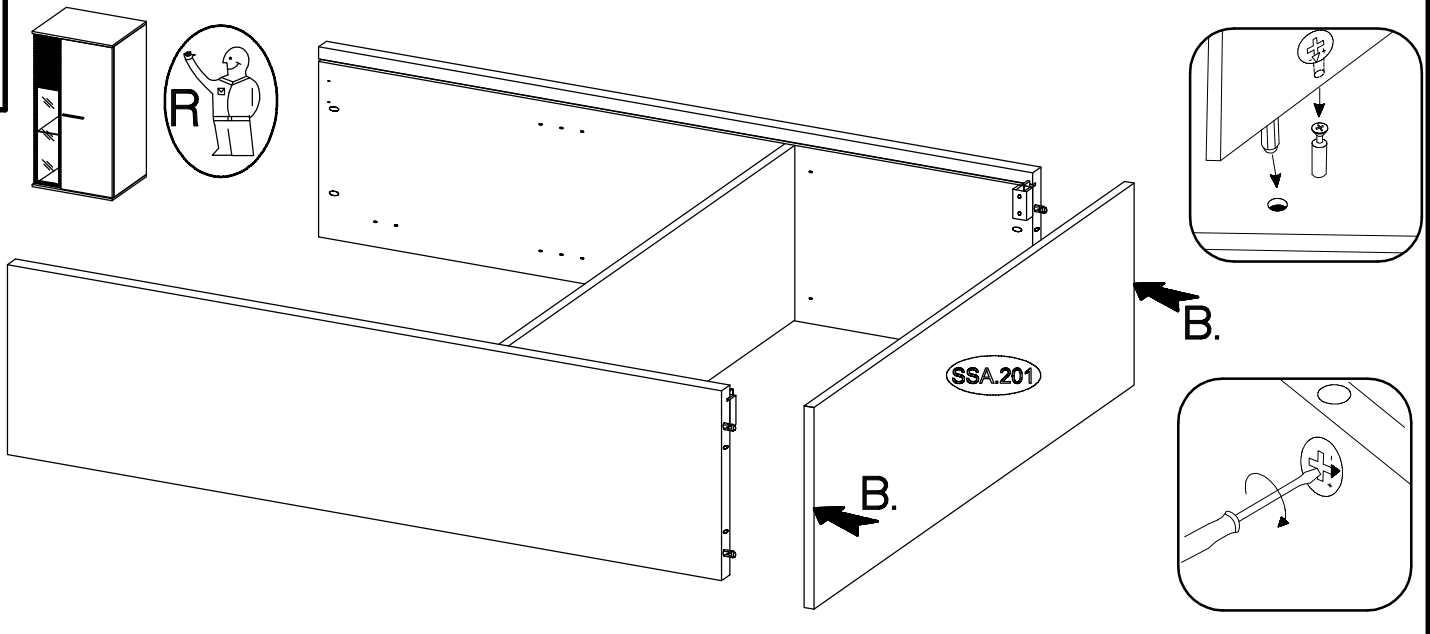


 C	 A	 D2	 K	 P8
12	8	12	2	4

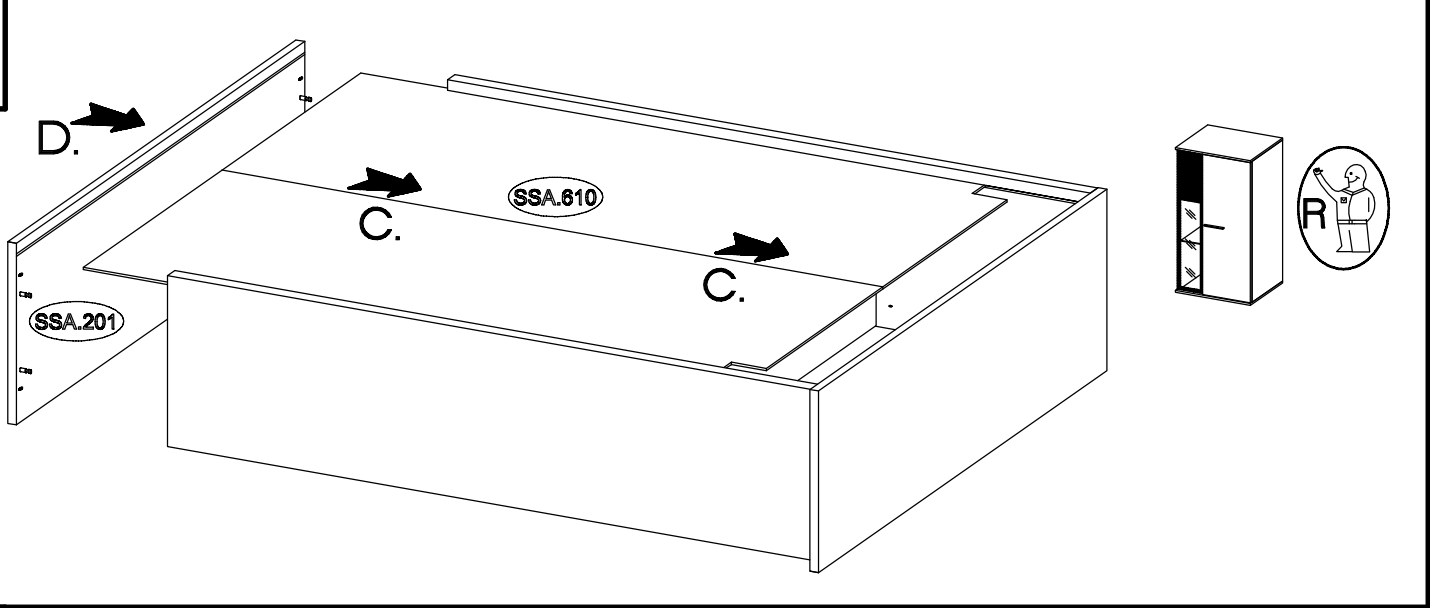
# 11



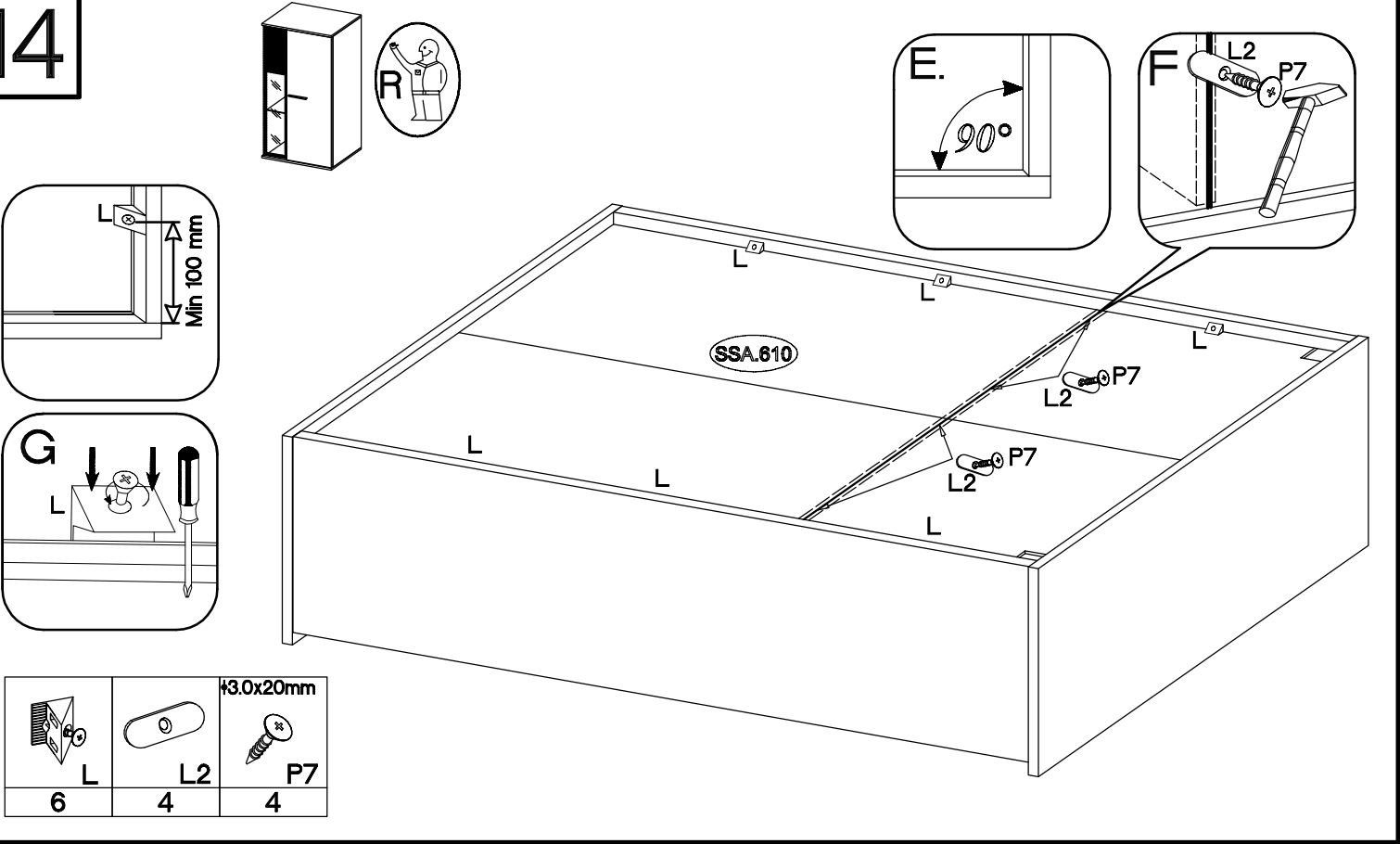
12



13



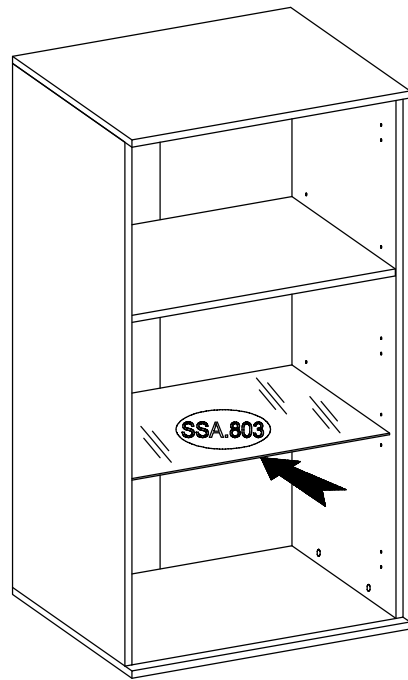
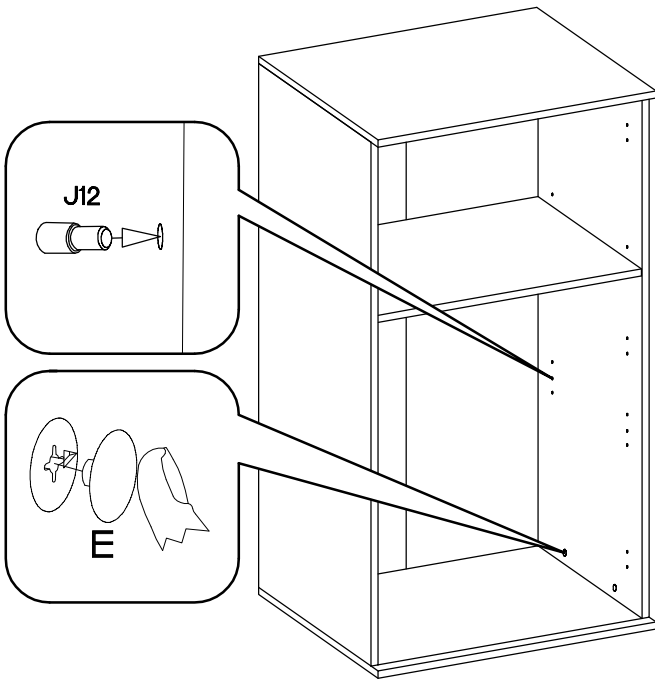
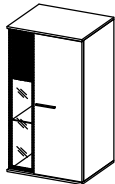
14



L	L2	P7
6	4	4

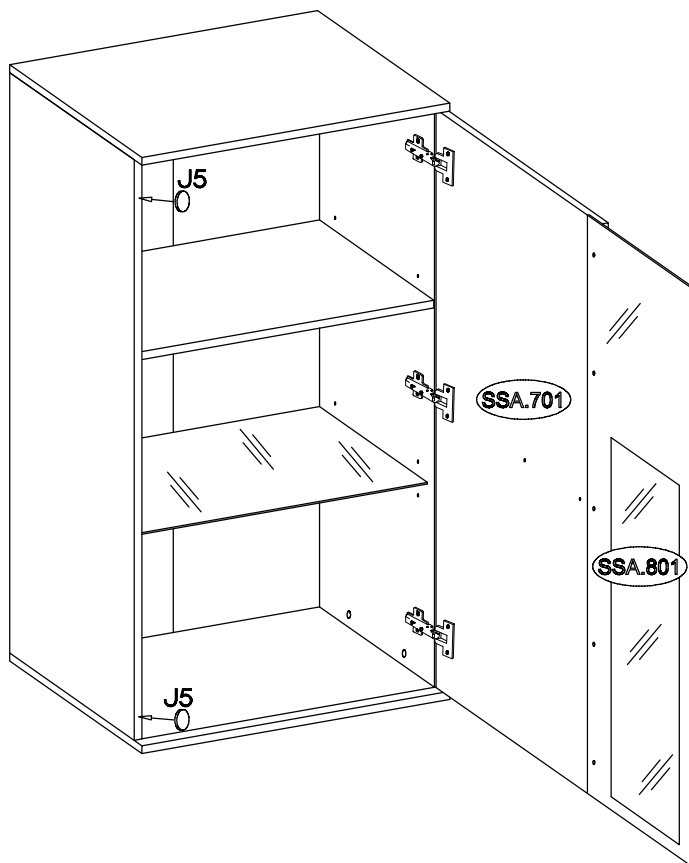
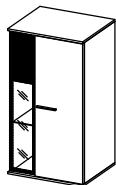
±3.0x20mm

# 15

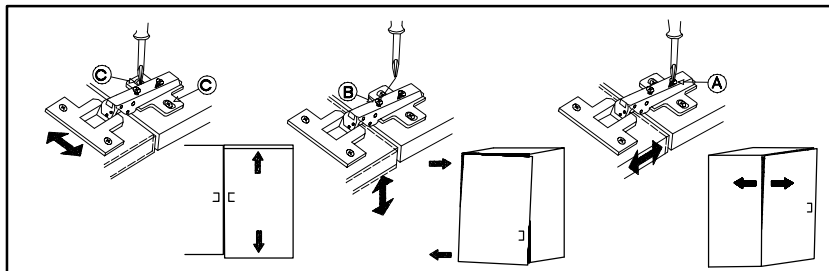
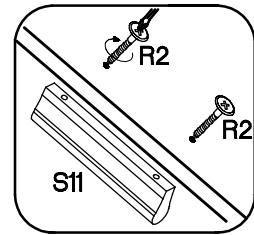
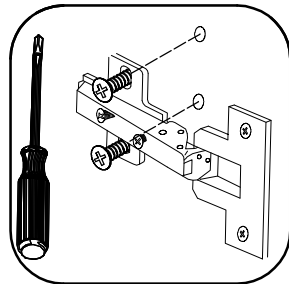


J12	E
4	12

# 16

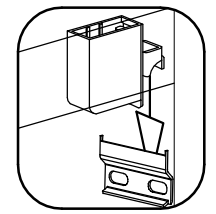
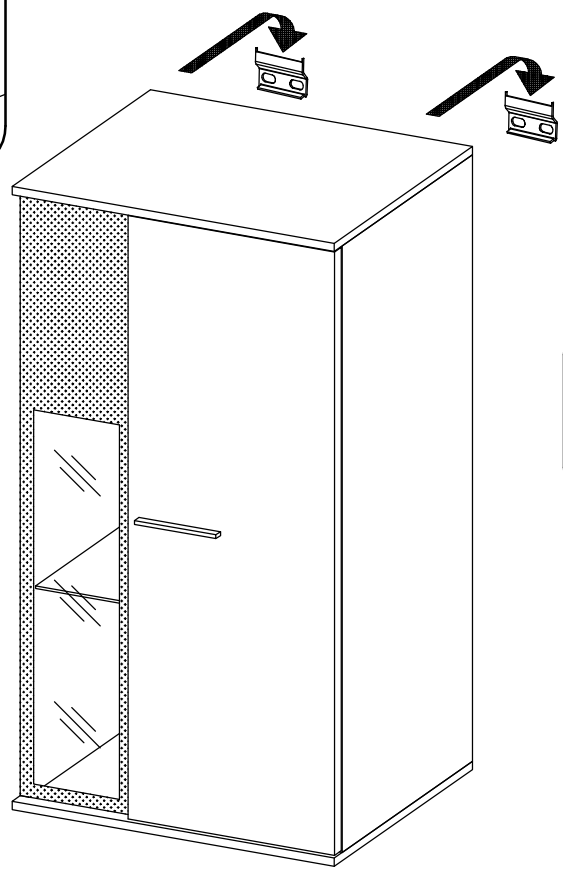
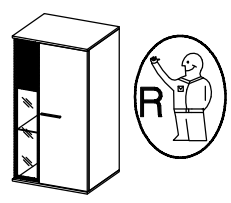
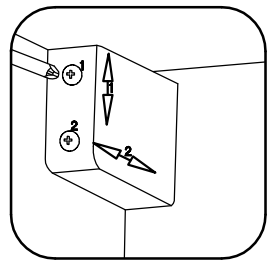
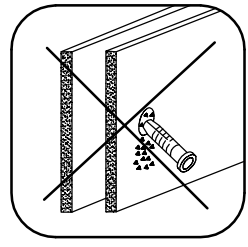
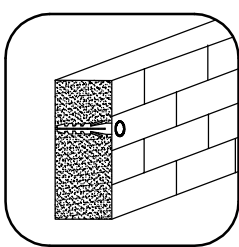
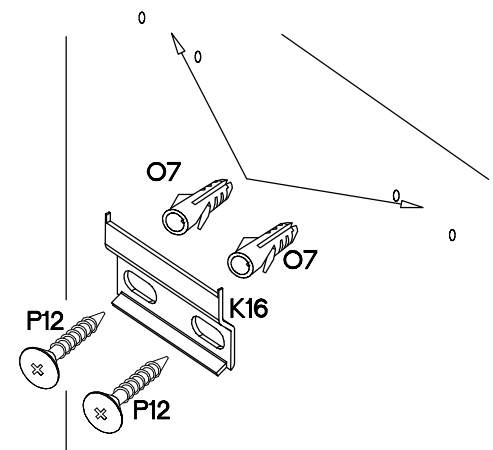
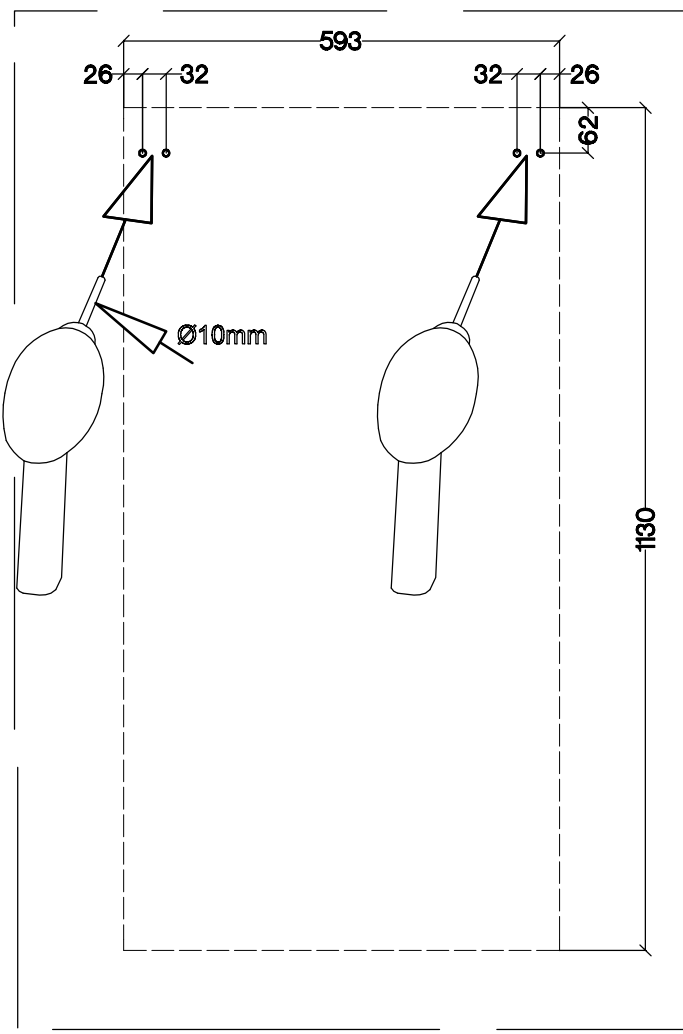


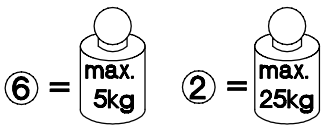
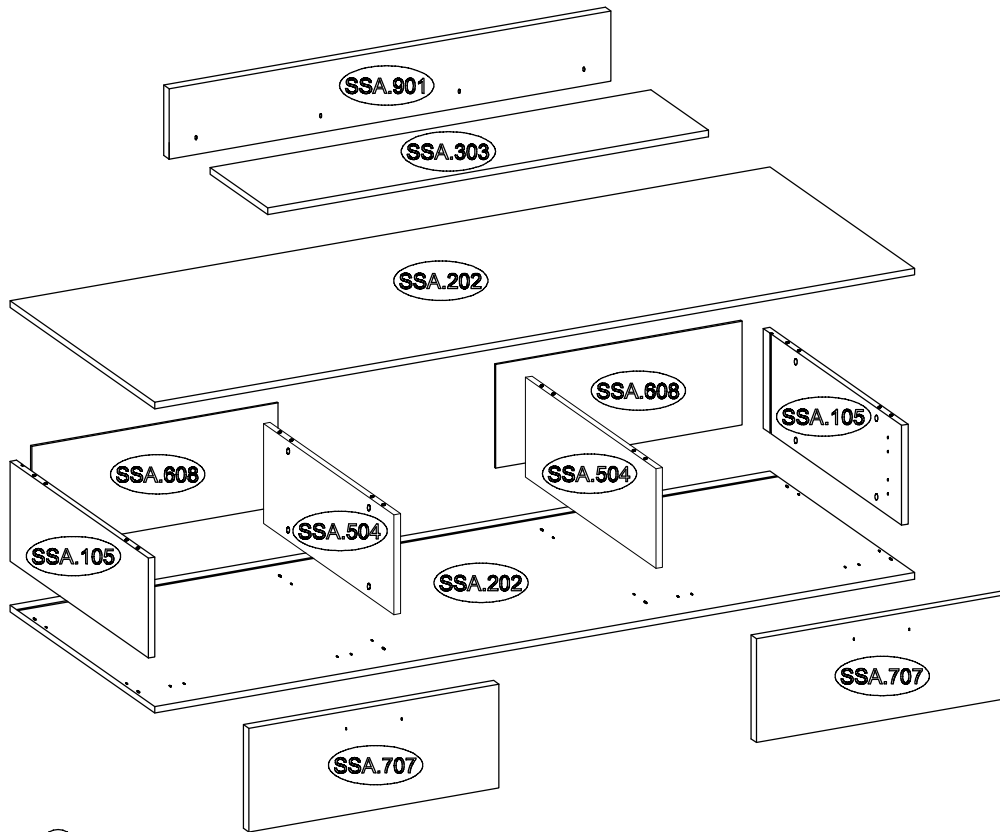
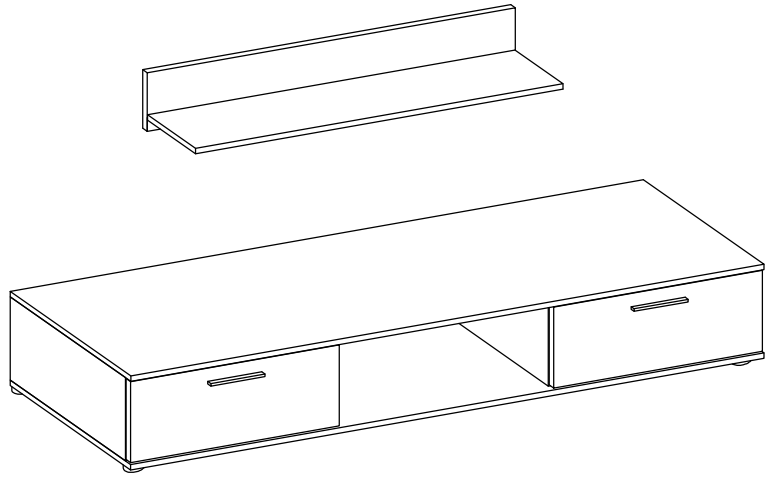
J5	R2	S11
2	2	1





±5.0x60mm	±10x50mm	
P12	O7	K16
4	4	2






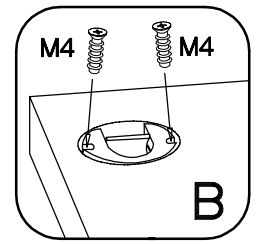
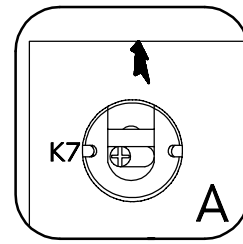
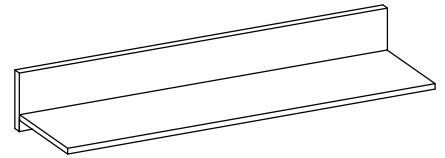
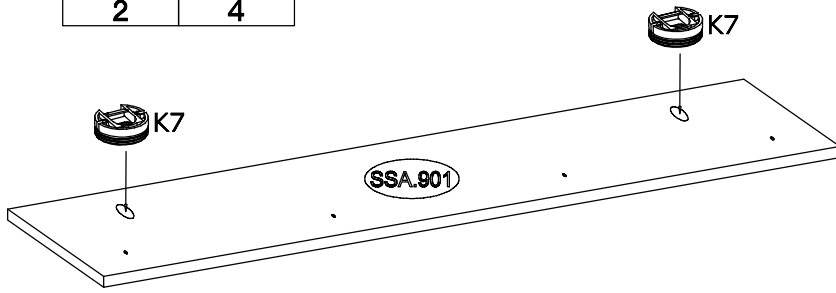
1B	L=128mm	+4.0x30mm
	2	4

2B	H=0	+35/16mm	+3.5x13mm
	4	4	8


3B		+6.3x9mm		6,4 x 50mm	5/45mm	+10x50mm	+15/12mm	+8x30mm	L=20mm	+4.0x25mm	
	2	4	1	4	2	2	16	16	16	6	
F10	+3.5x13mm										
	6	6	2	4	16	10	4				

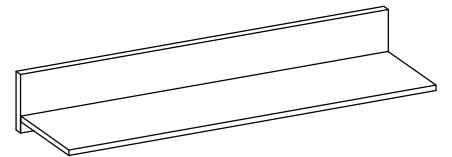
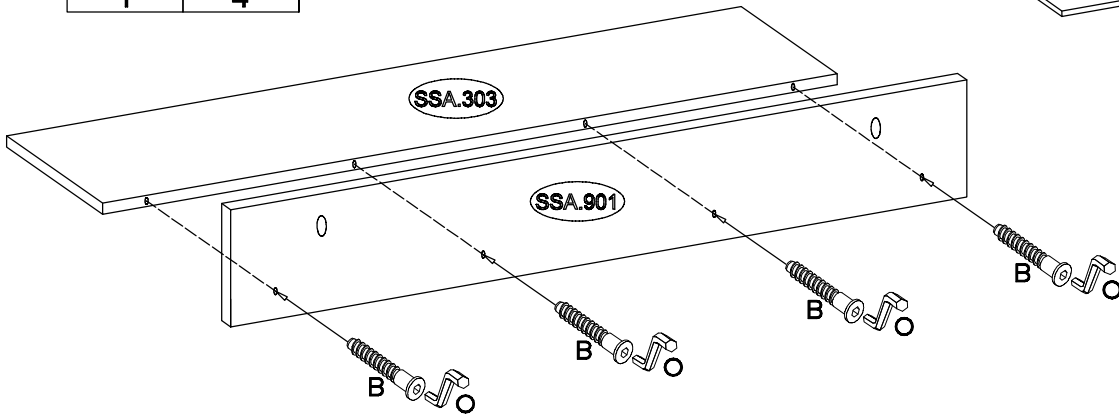
# 1

	$\pm 6,3 \times 9 \text{mm}$
K7	M4
2	4

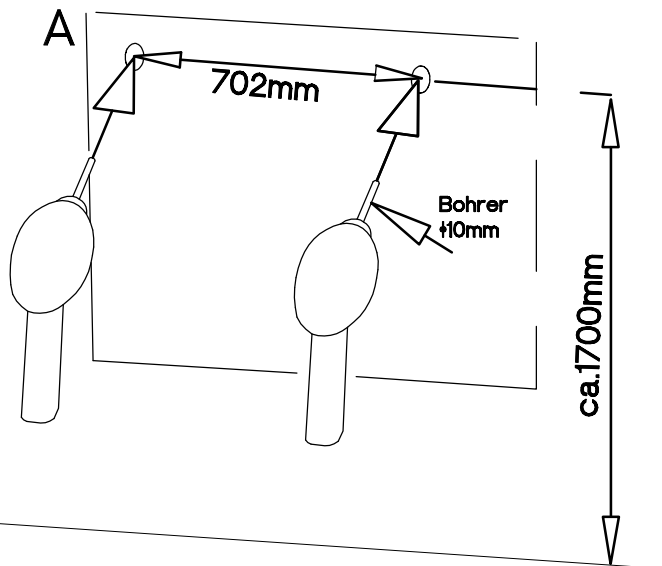


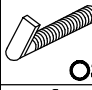
# 2

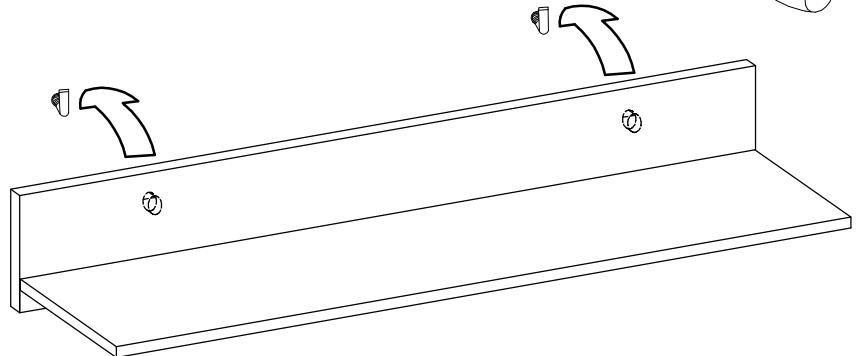
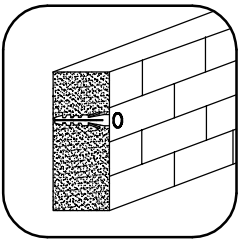
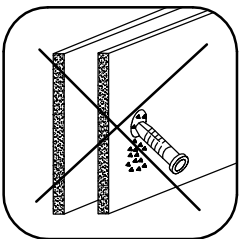
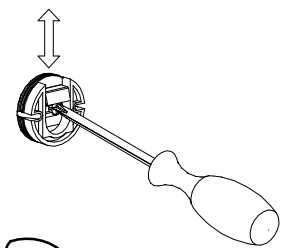
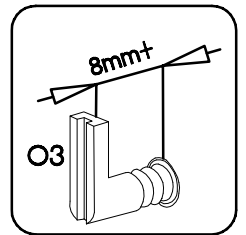
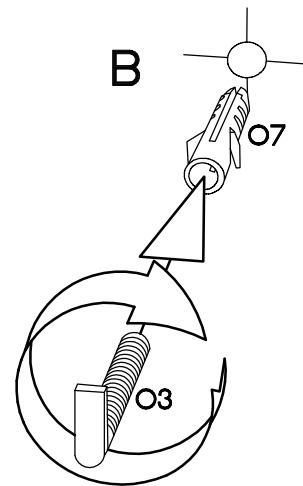
	$6,4 \times 50 \text{mm}$
O	B
1	4






# 3





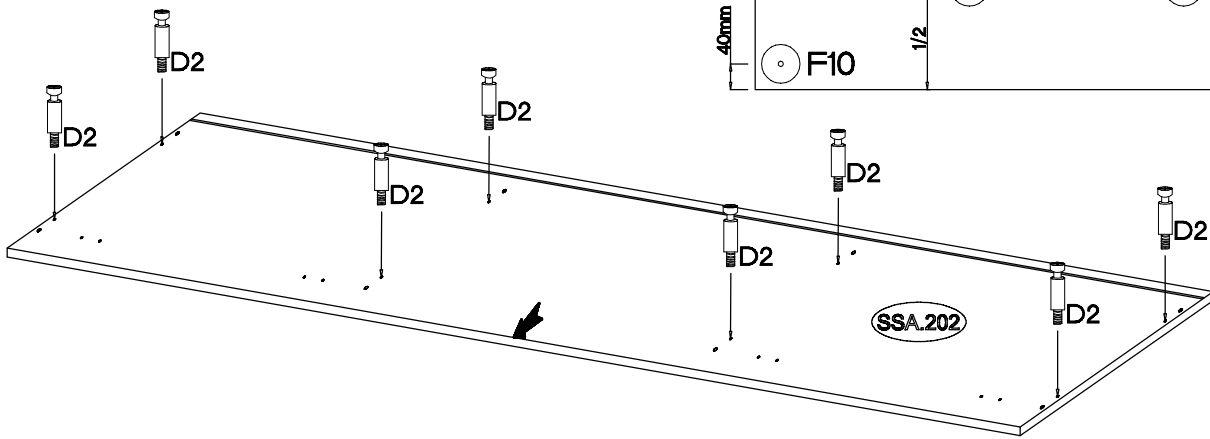
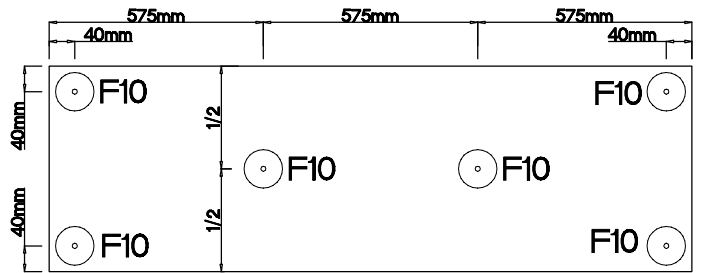
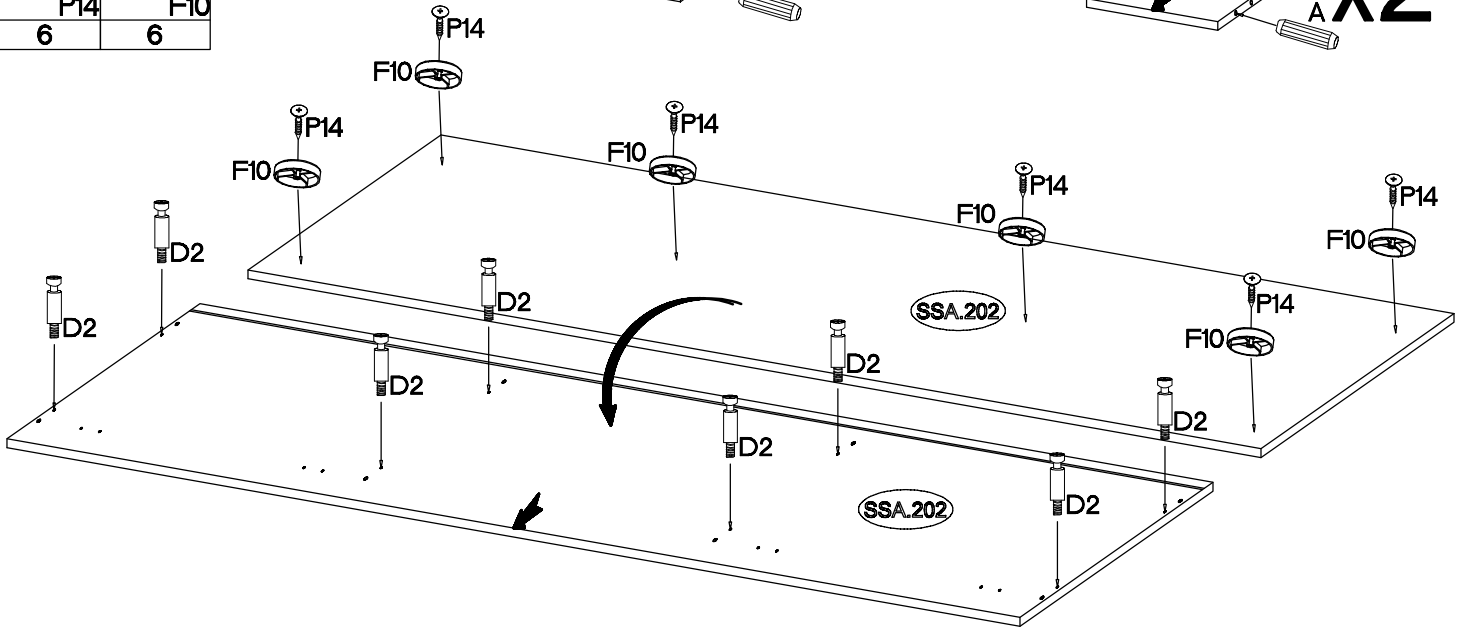
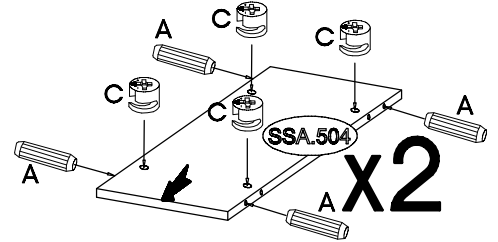
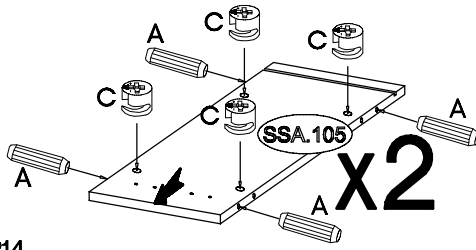
	$\pm 10 \times 50 \text{mm}$
O3	O7
2	2



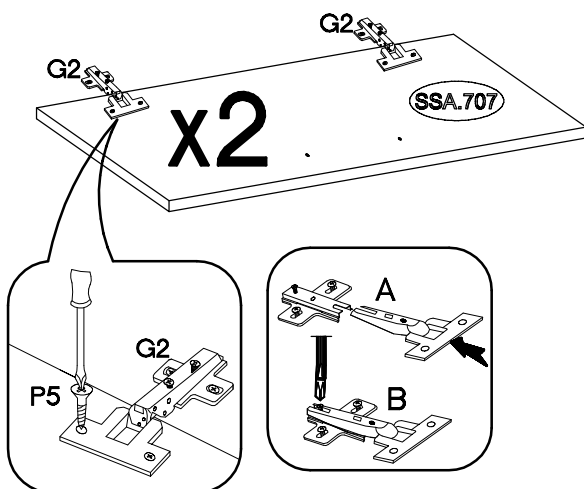
# 4





 $\varnothing 5/12\text{mm}$	 $\varnothing 8 \times 30\text{mm}$	 L=20mm
C	A	D2
16	16	16

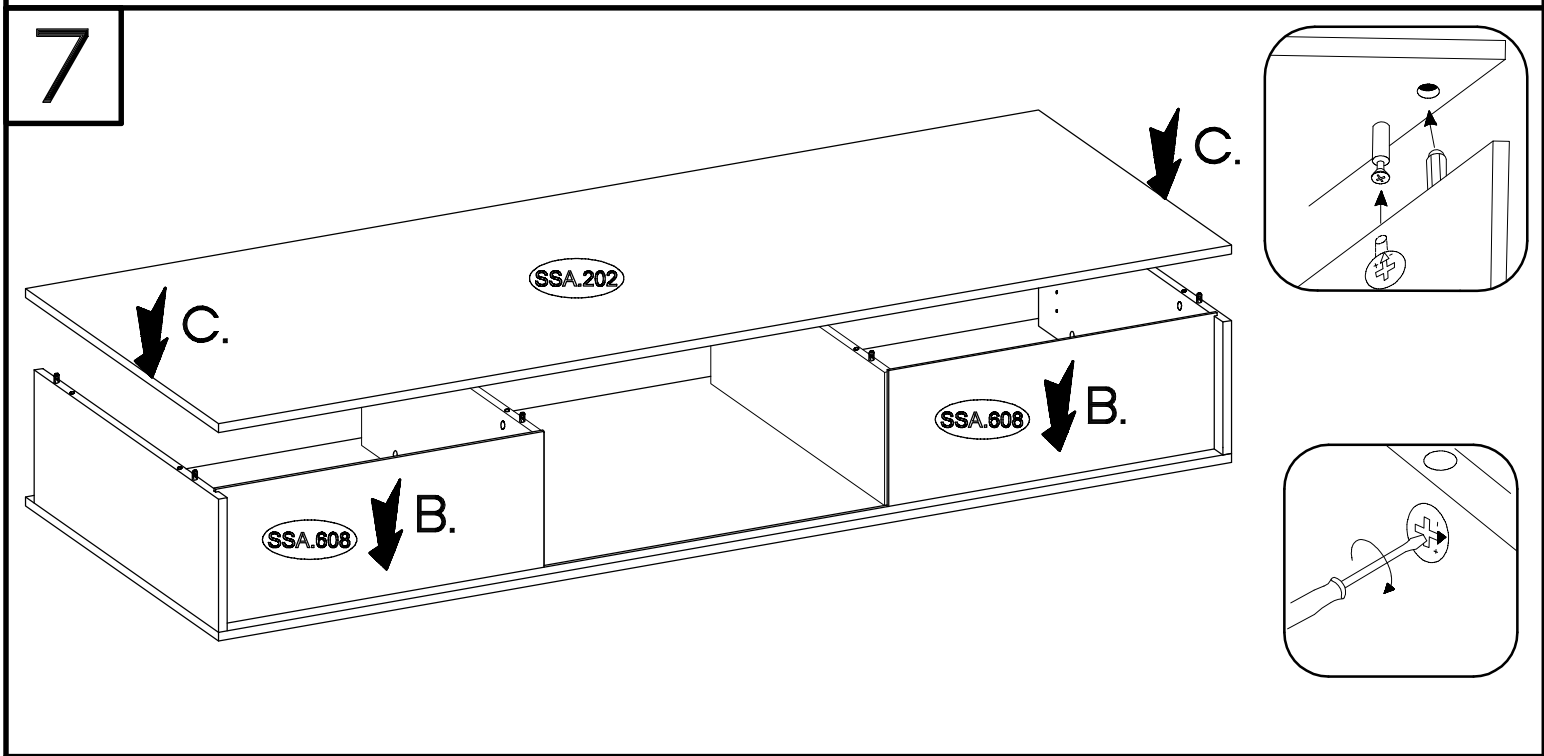
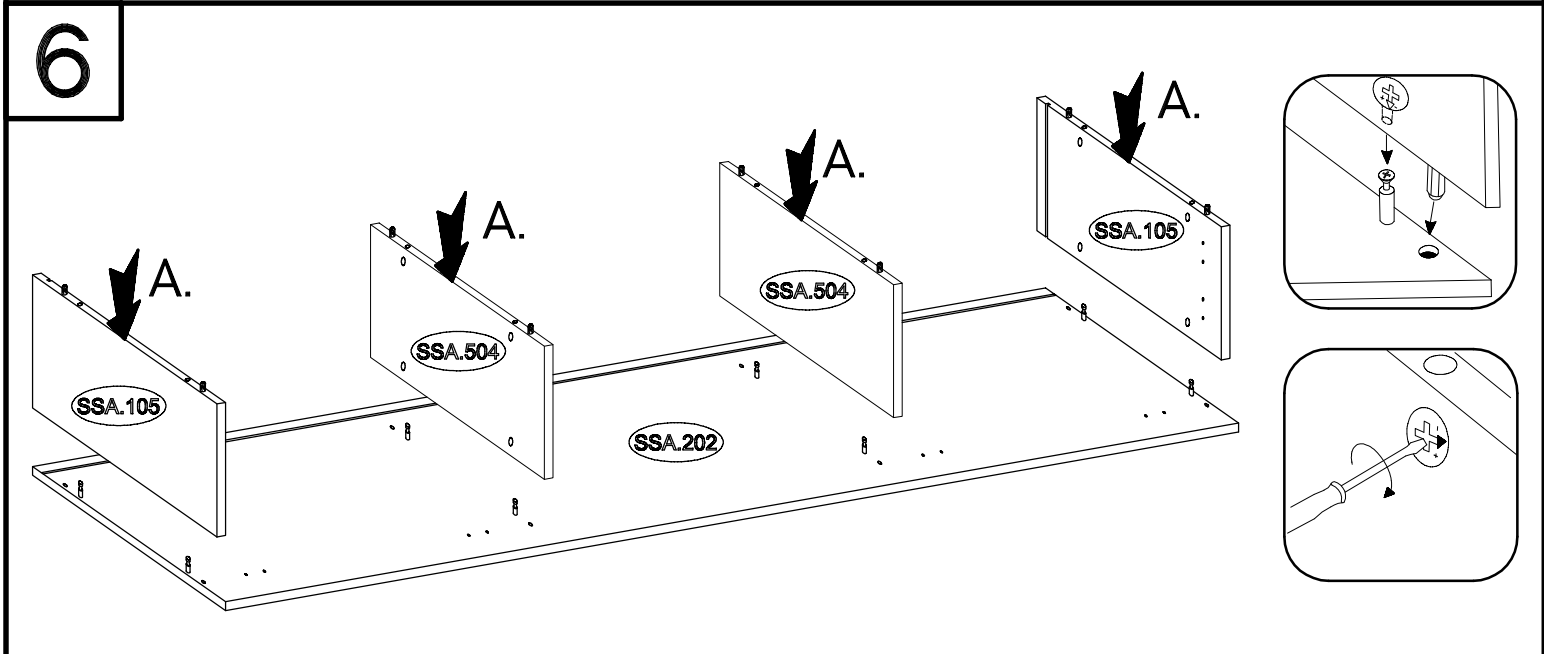
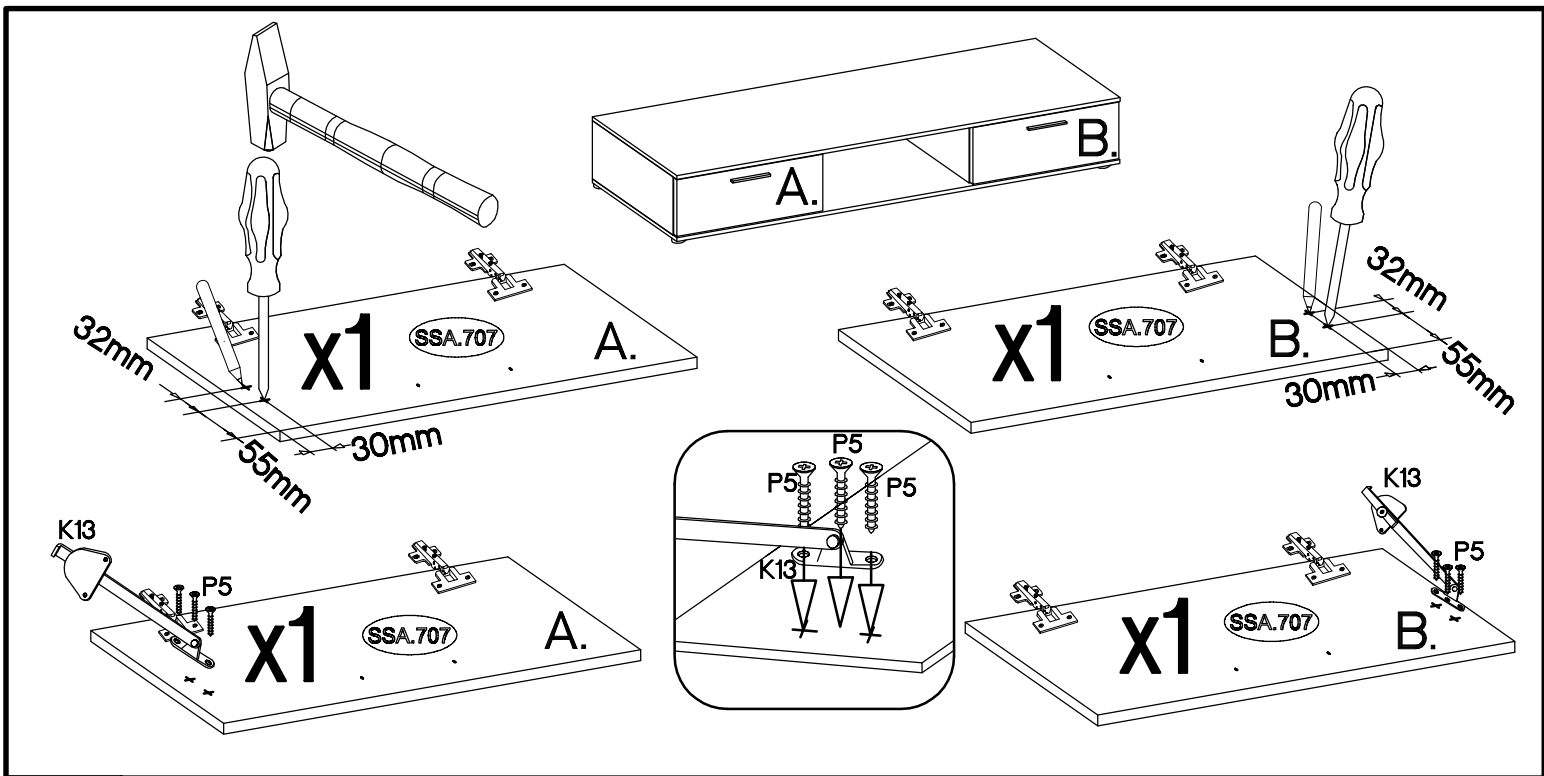
 $\varnothing 4.0 \times 25\text{mm}$	
P14	F10
6	6




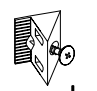
# 5

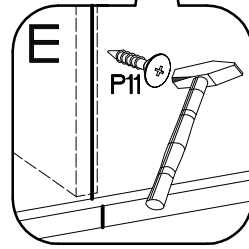
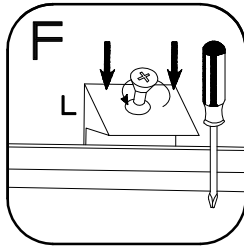
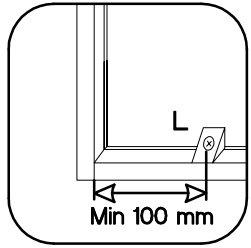
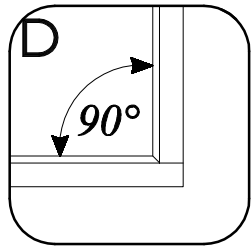
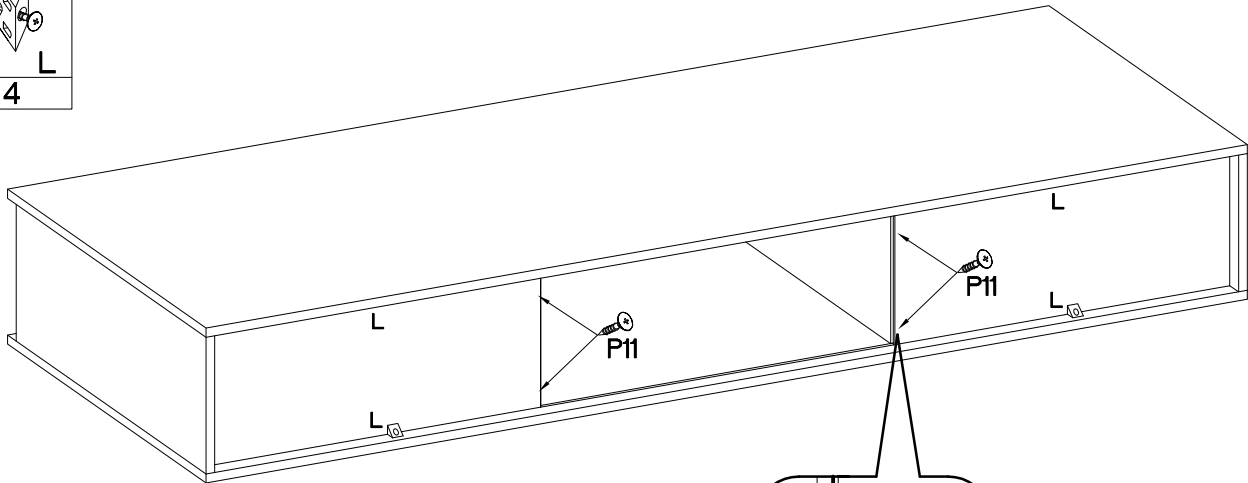


 H-0	 $\varnothing 35/16\text{mm}$	 $\varnothing 3.5 \times 13\text{mm}$	
H	G2	P5	K13
4	4	14	2








8

 <b>‡3.0x16mm</b> <b>P11</b> 4	 <b>L</b> 4
---	---



9

 <b>E</b> 16	 <b>‡3.0x16mm</b> <b>P11</b> 6	 <b>‡4.0x30mm</b> <b>R2</b> 4	 <b>L=128mm</b> <b>S11</b> 2	 <b>J5</b> 4
---	--	---	--	---

