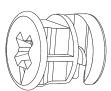
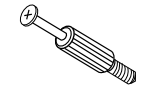
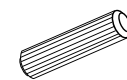
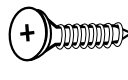
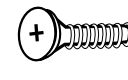


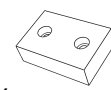

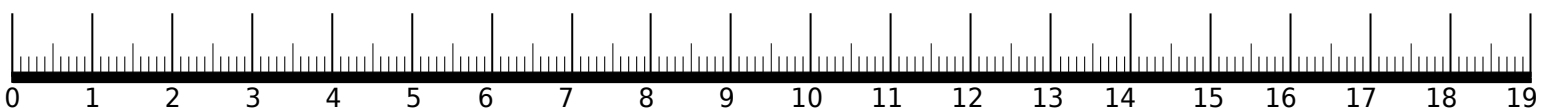
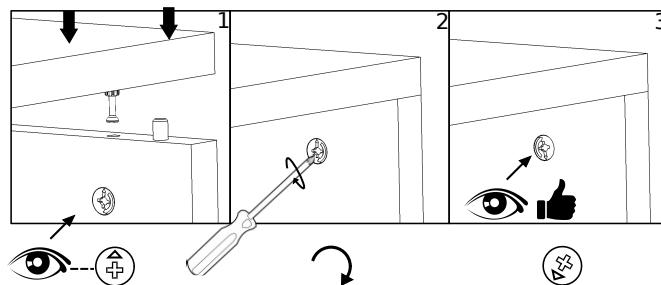
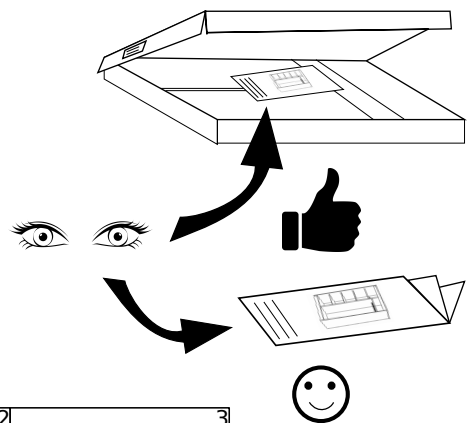
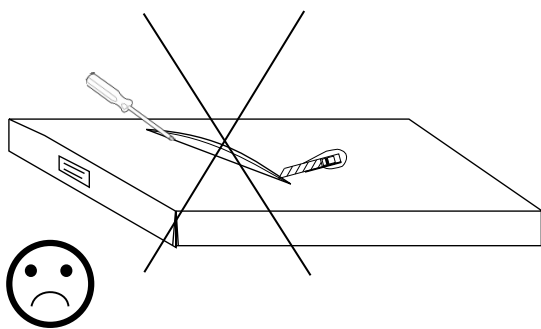
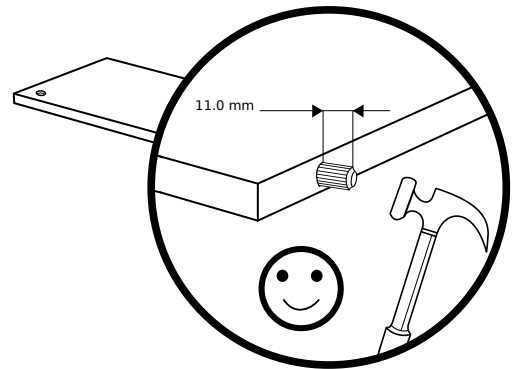
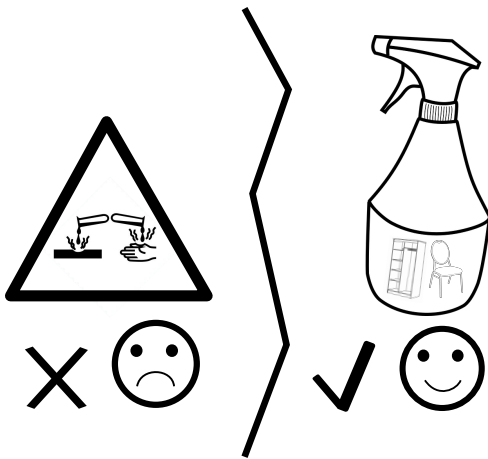
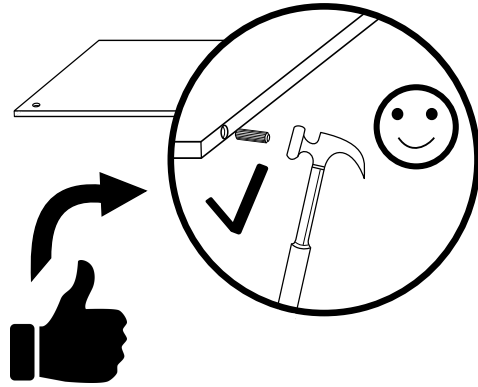
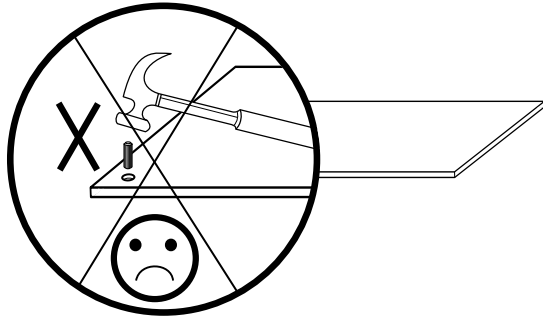
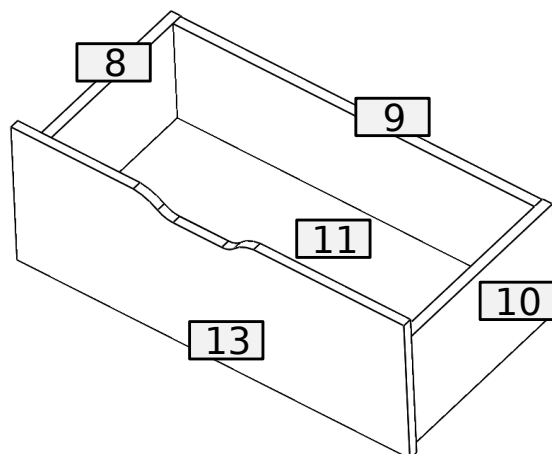
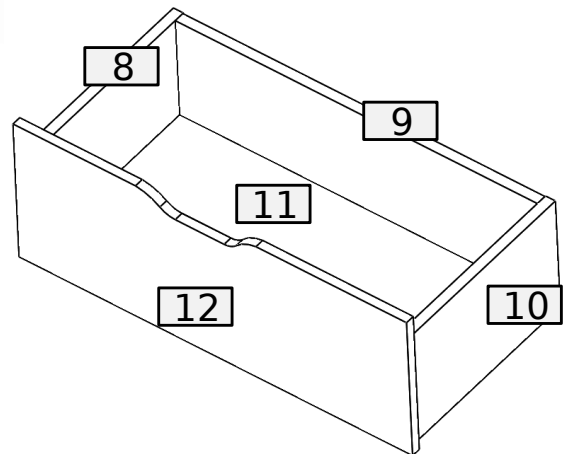
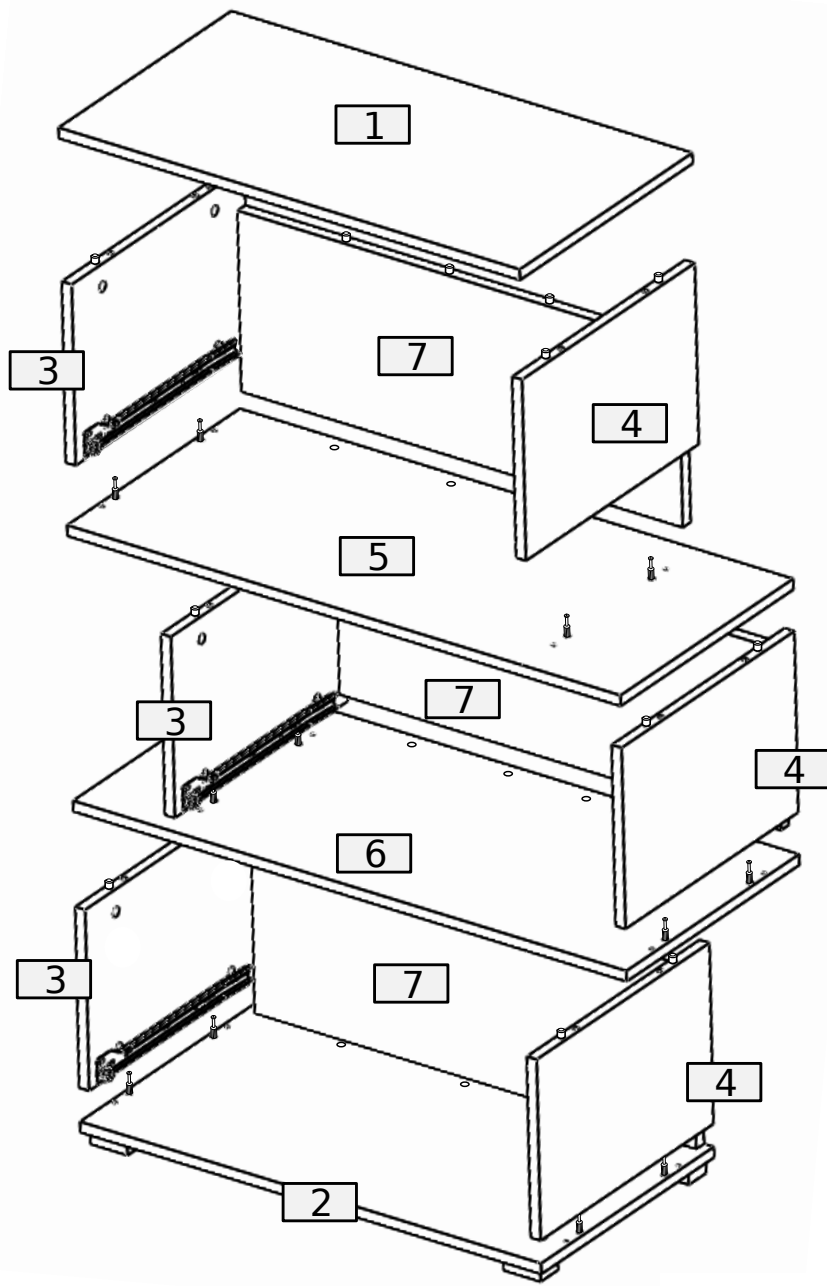


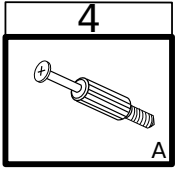
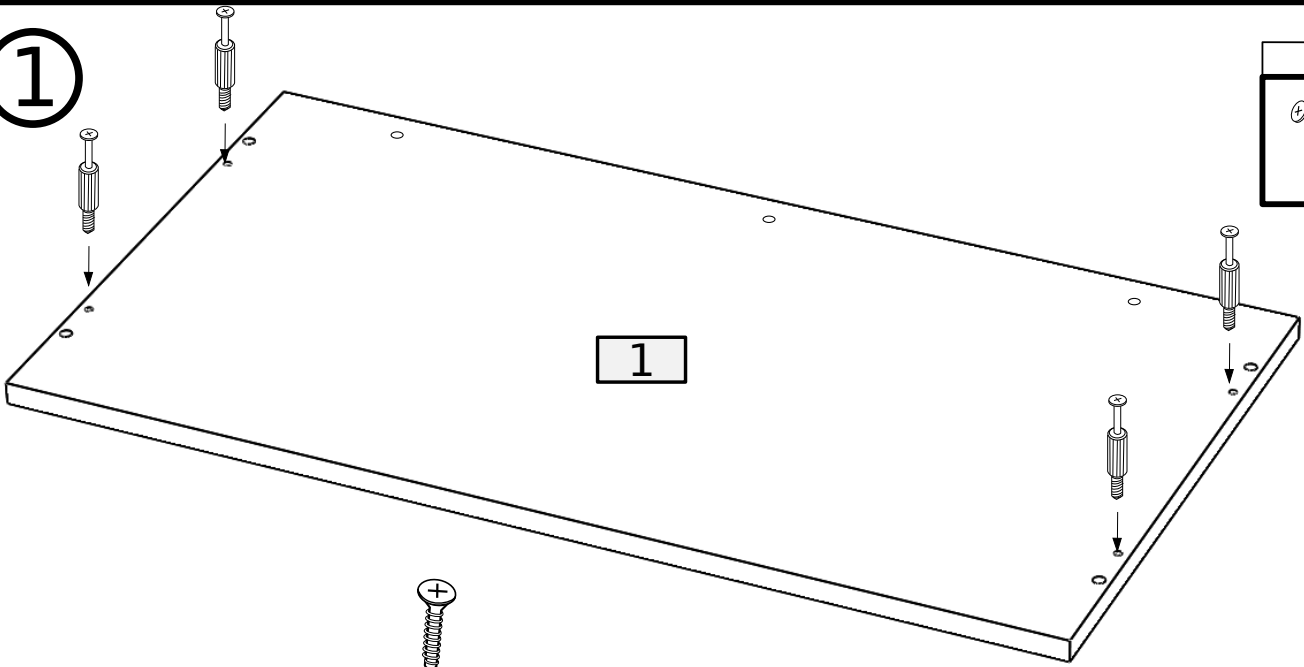
36	36	66	18	24
				
B	A	8.0x35	D	3.0x20 W1
				
X	L-350	NV	4.0x25 W6	
24	3	4	8	





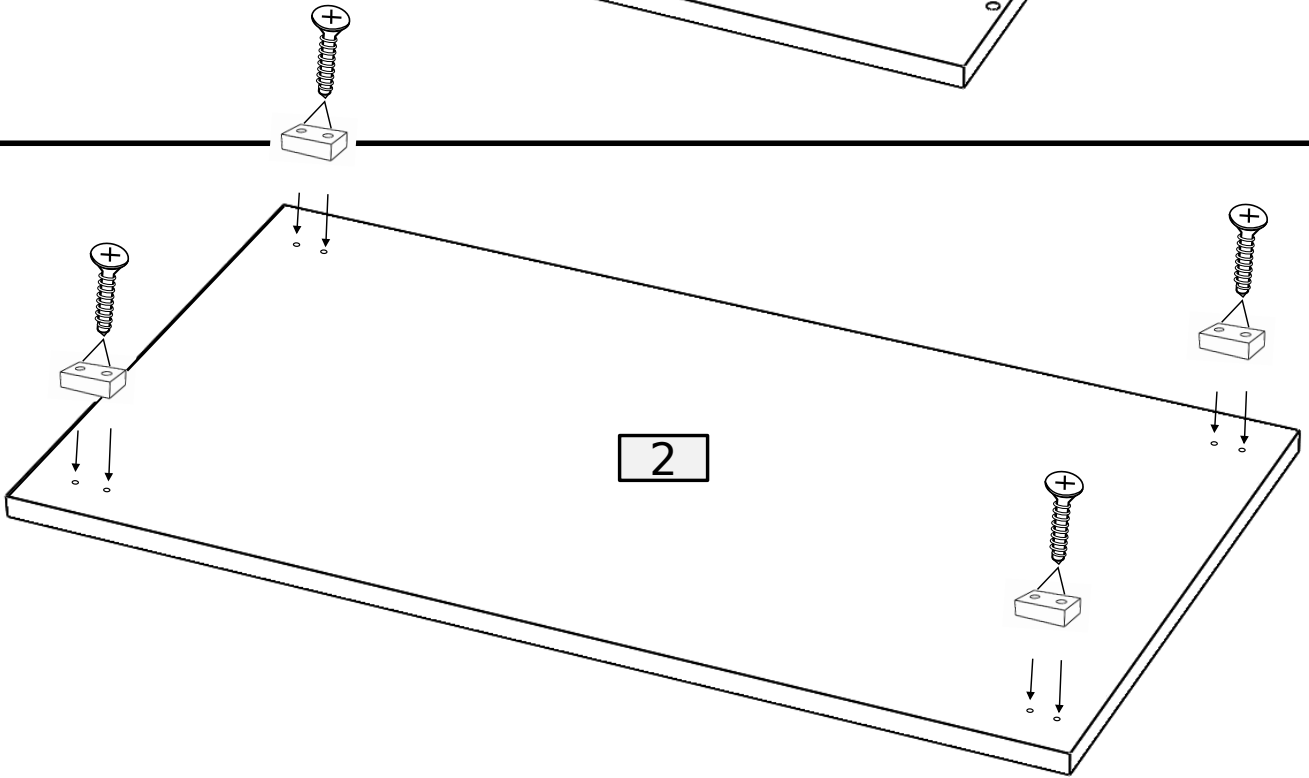
No.	Pcs.	L	W	D	Pac
1	1	750	400	16	1/2
2	1	750	400	16	1/2
3	3	398	272	16	1/2
4	3	398	272	16	1/2
5	1	900	400	16	1/2
6	1	900	400	16	1/2
7	3	716	272	16	2/2
8	3	350	210	16	2/2
9	3	659	192	16	2/2
10	3	350	210	16	2/2
11	3	357	674	3	1/2
12	2	712	266	16	2/2
13	1	712	266	16	2/2

1

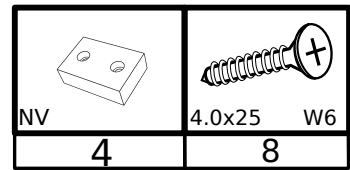


1

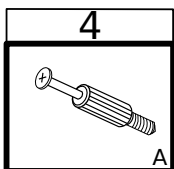
2



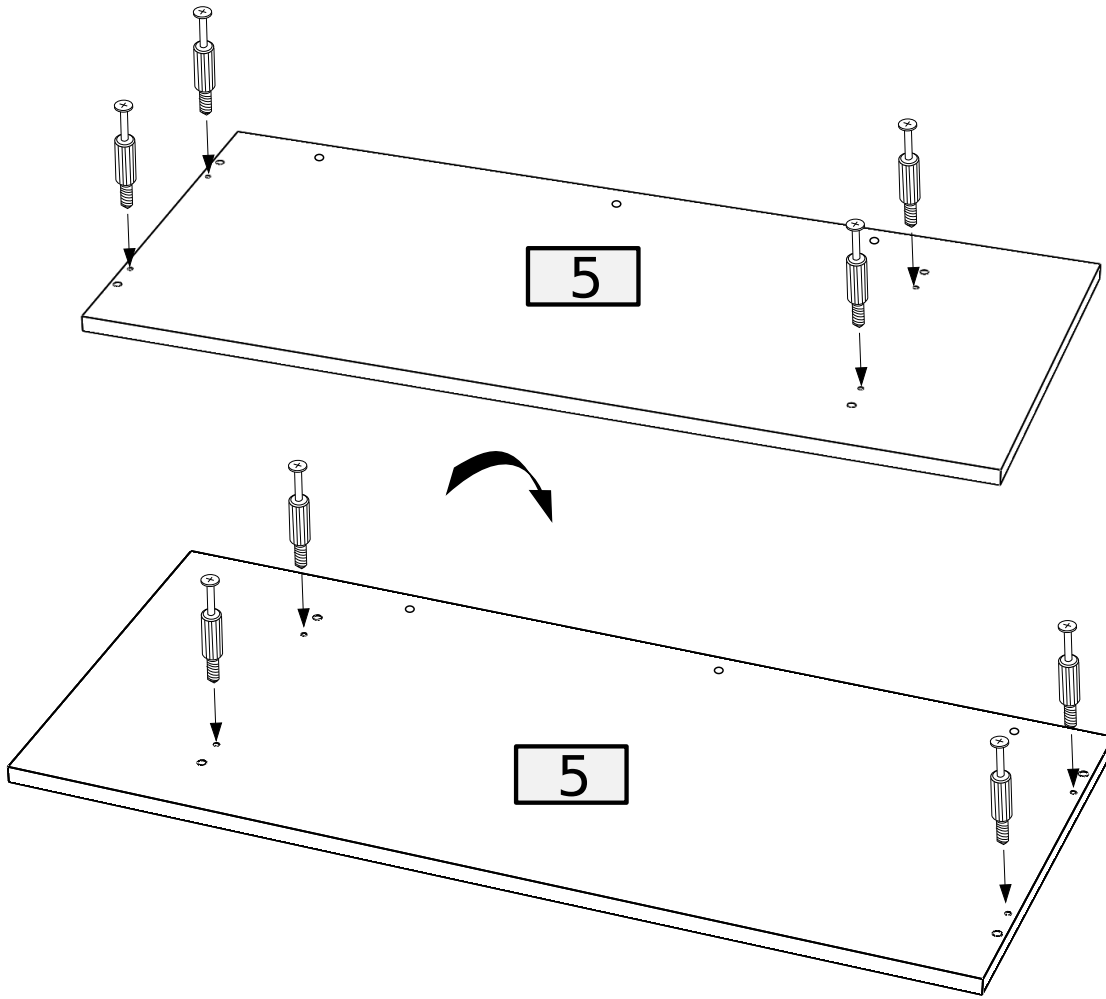
2



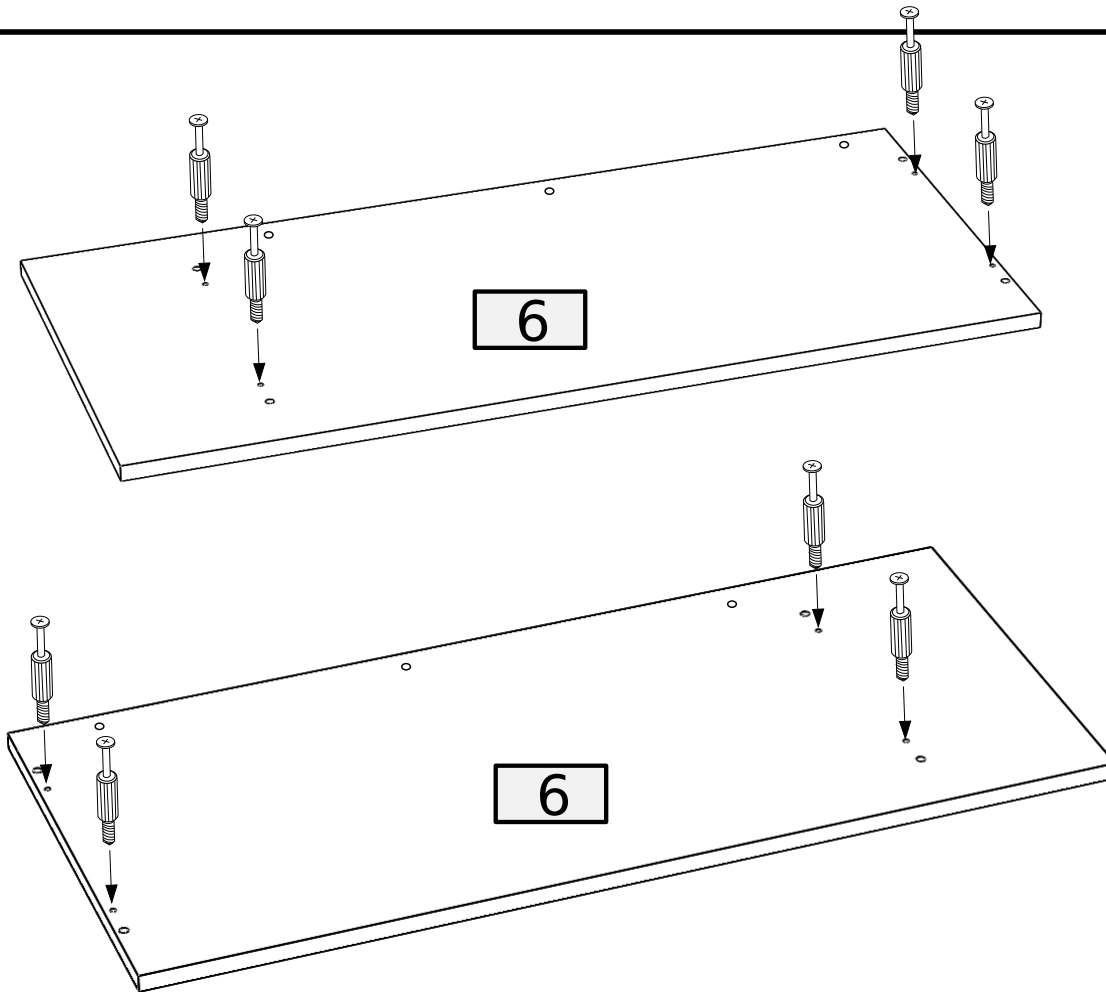
2



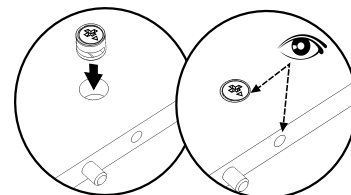
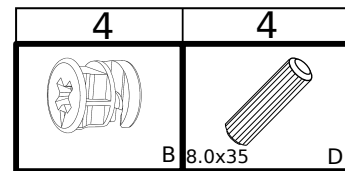
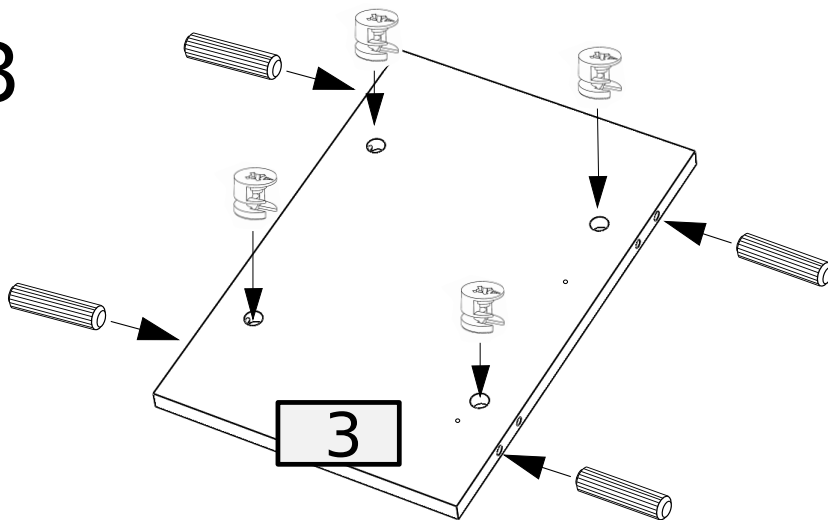
3



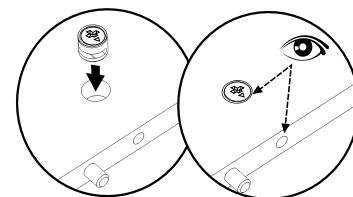
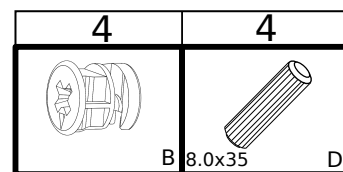
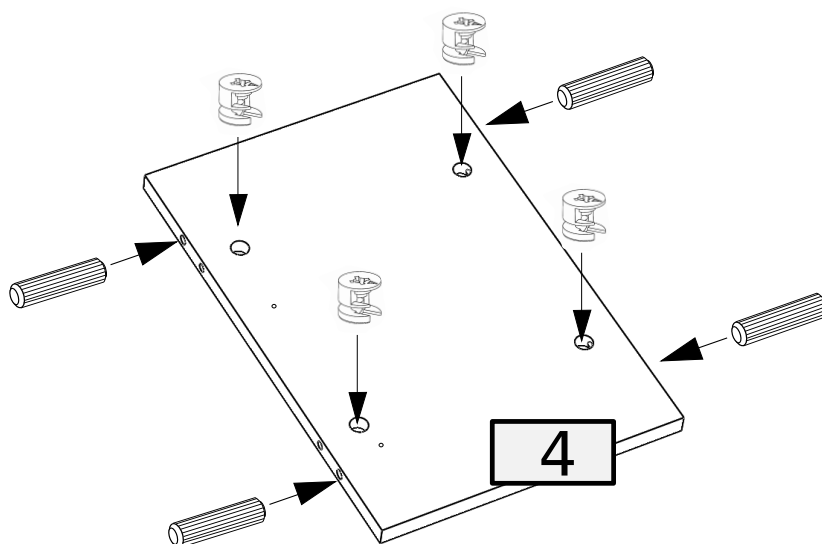
4



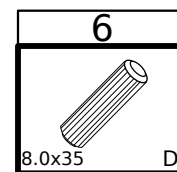
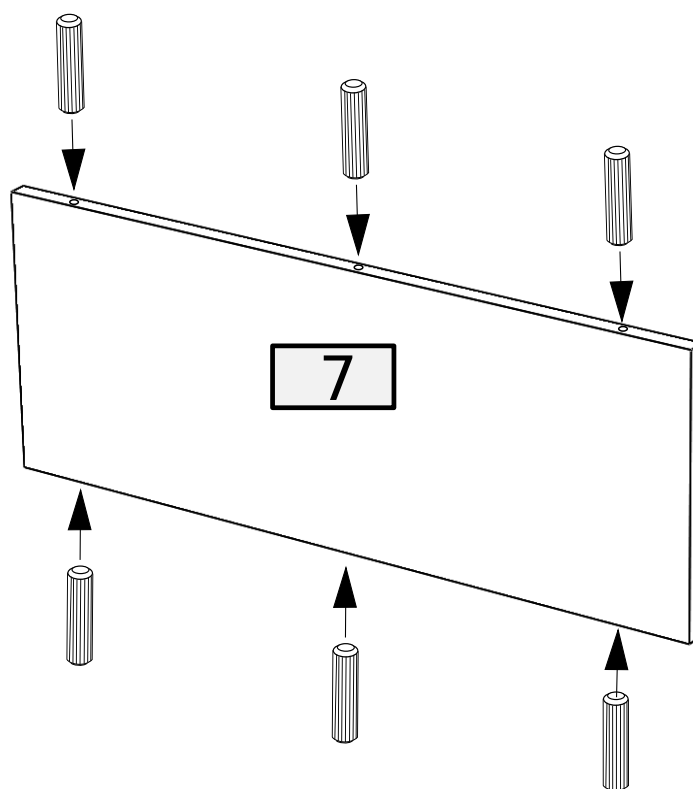
⑤ x3



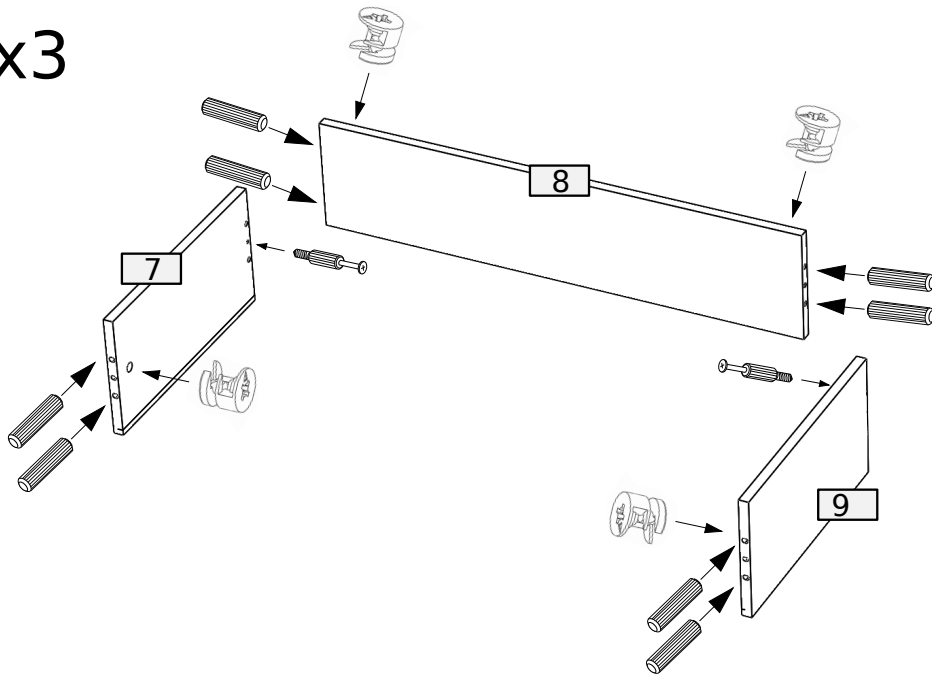
⑥ x3

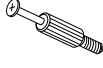




⑦ x3

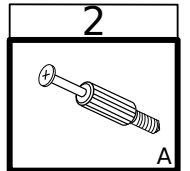
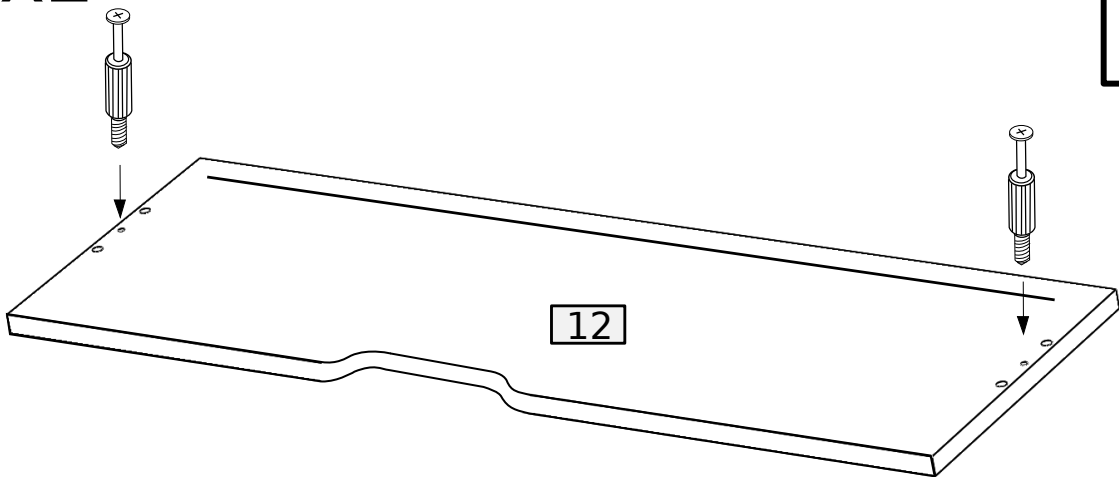


⑧ x3

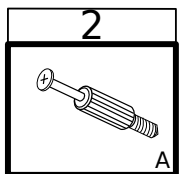
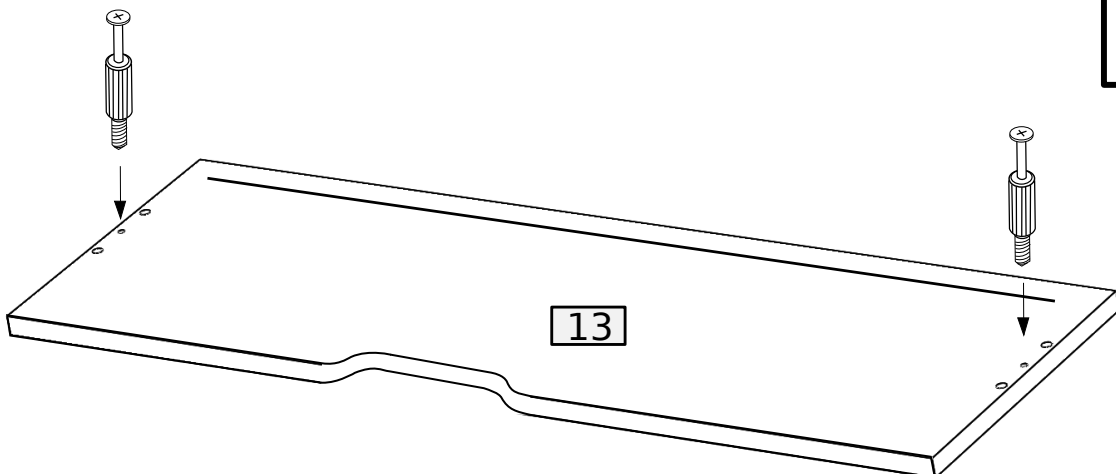


2	8	4
		
A	8.0x35	D
		B

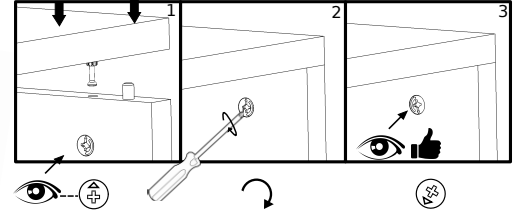
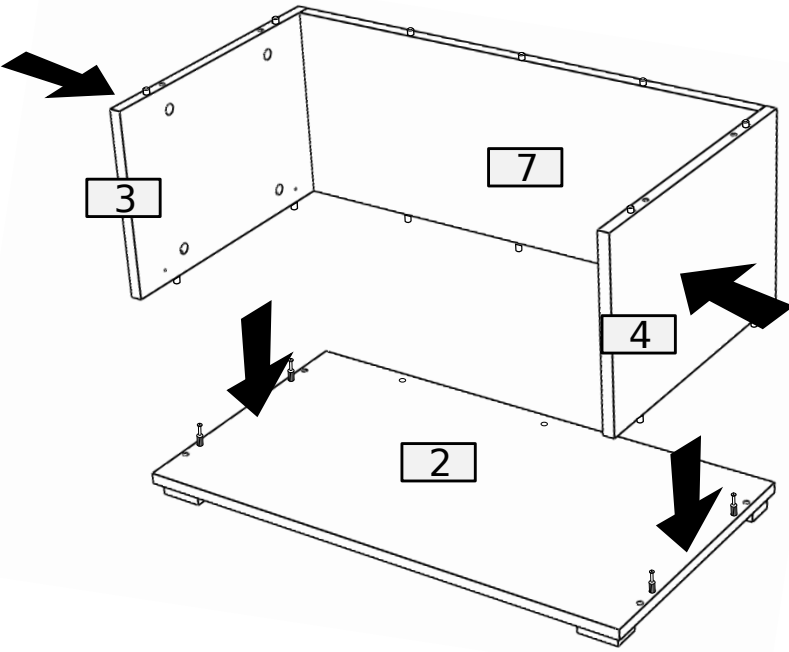
⑨ x2



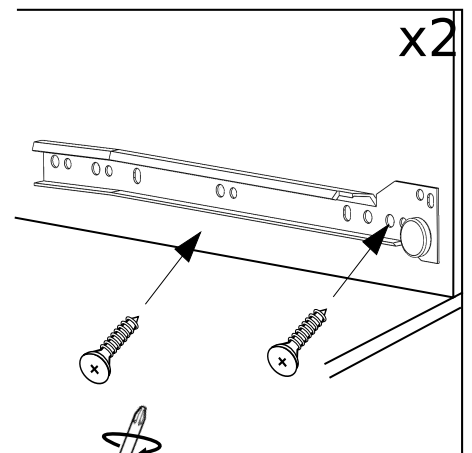
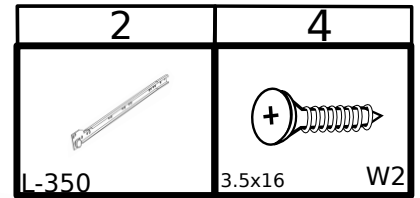
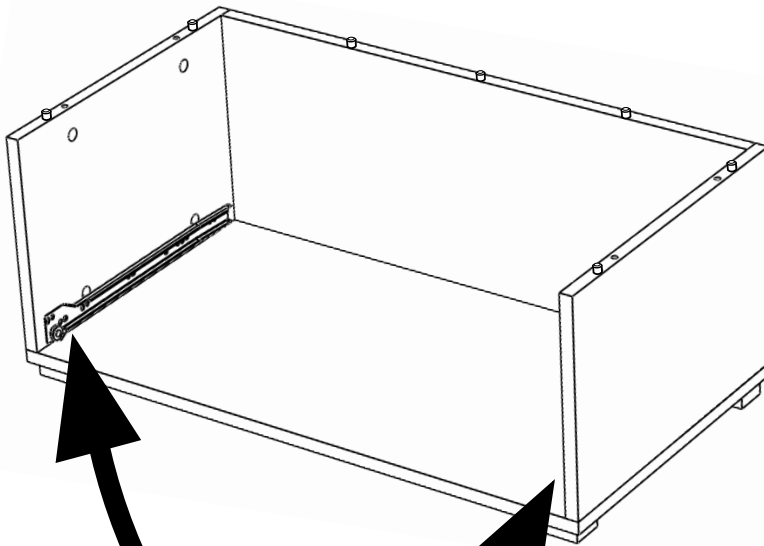
⑩ x1



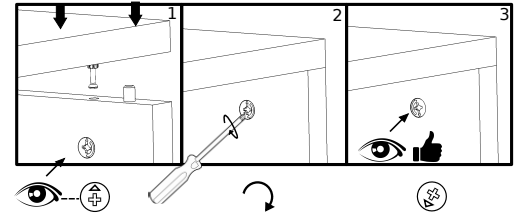
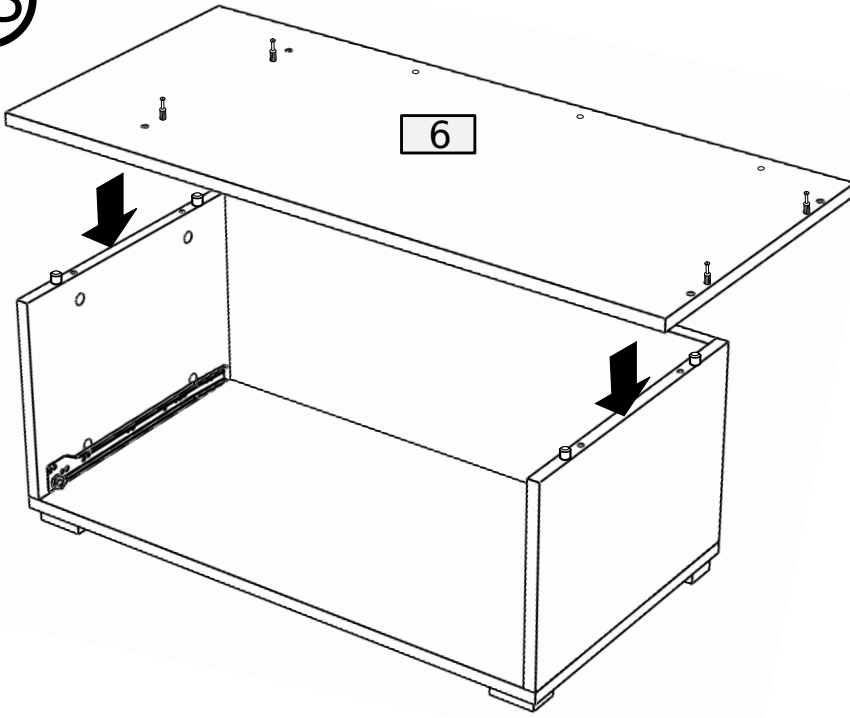
11



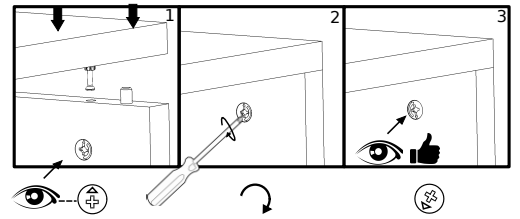
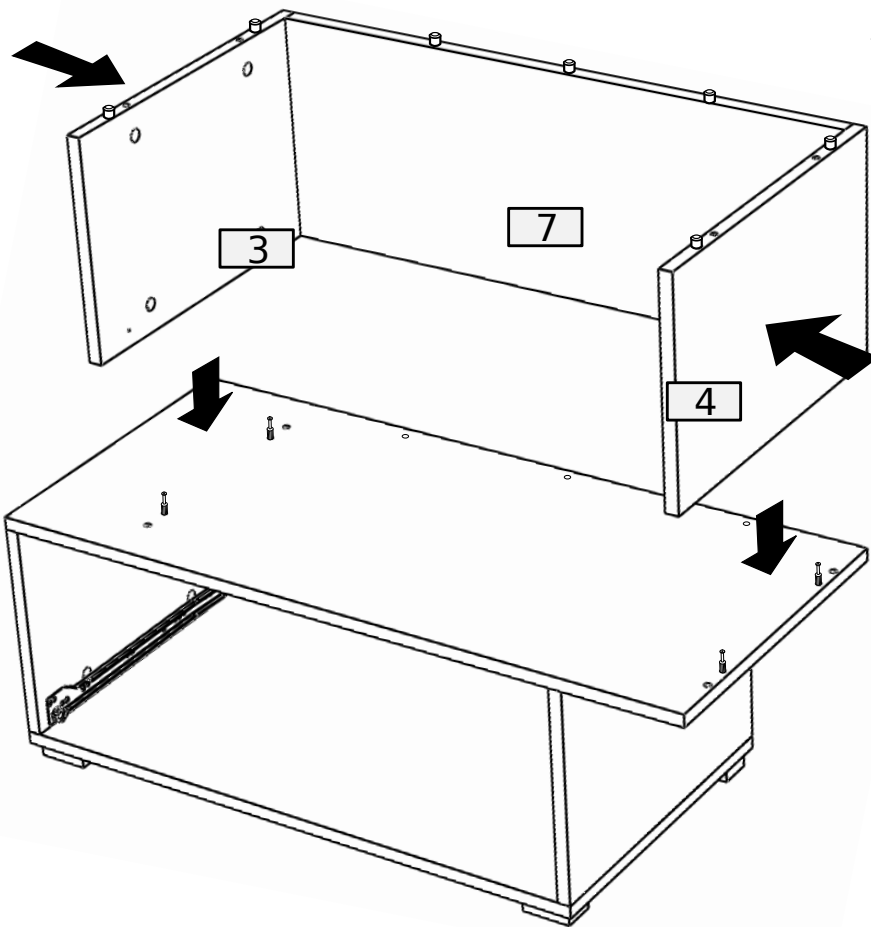
12



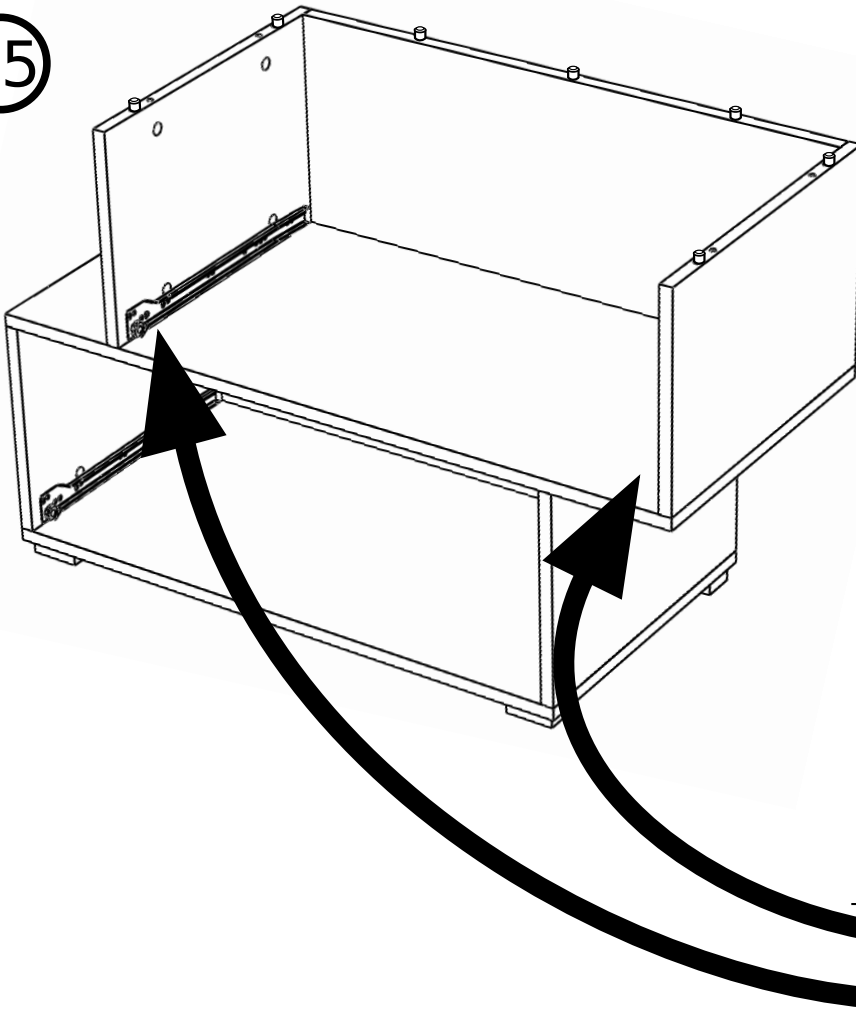
13





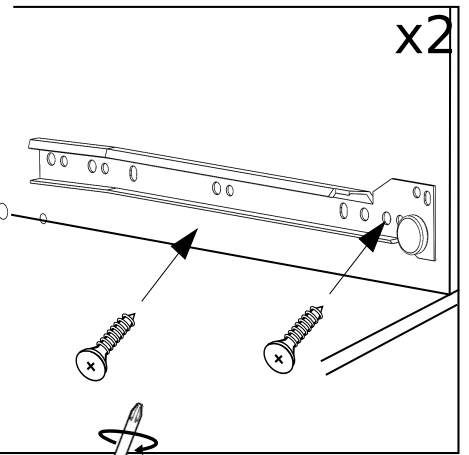
14



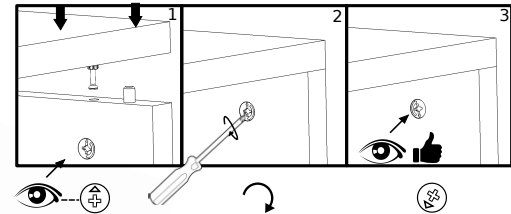
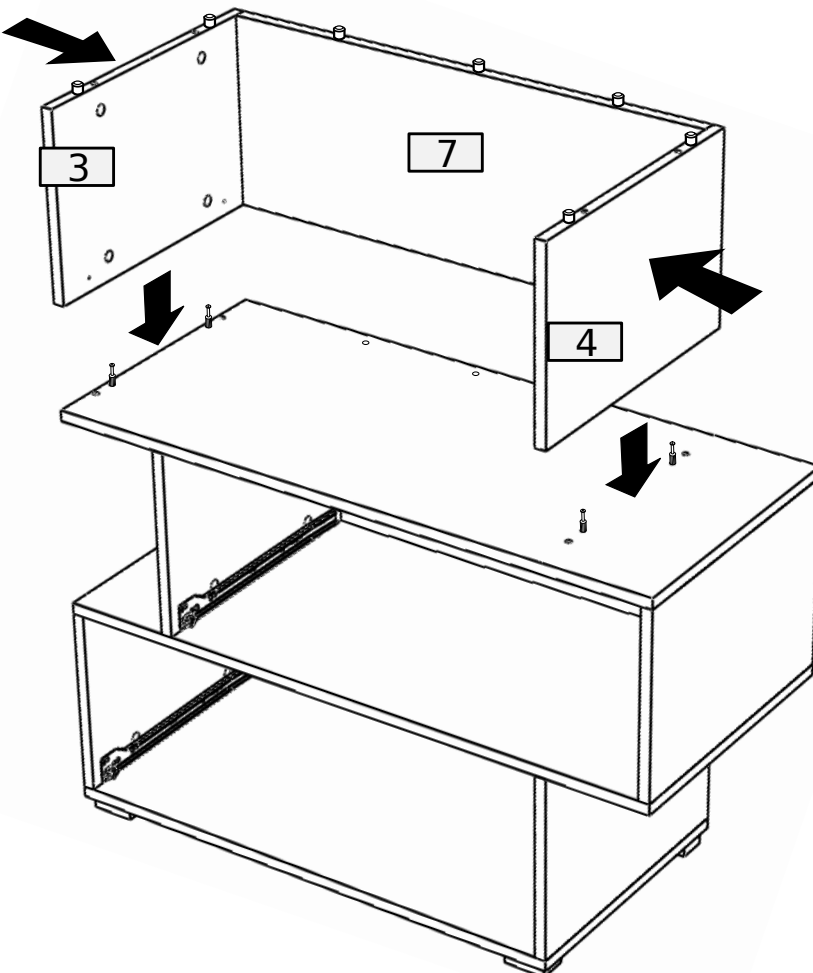
15



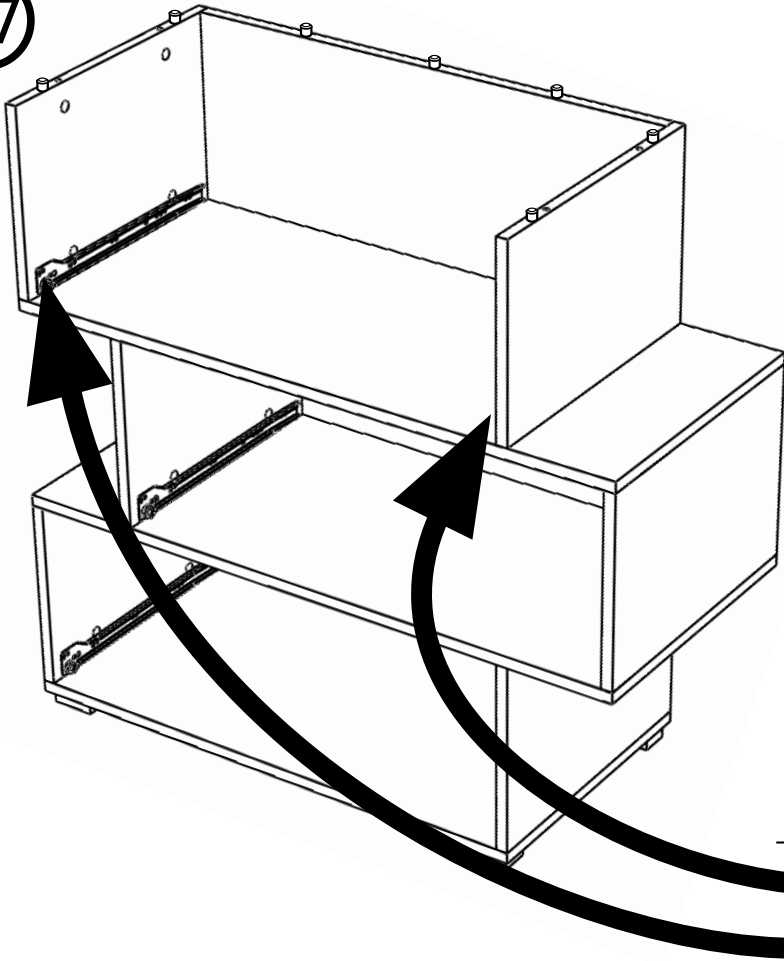
2	4
	
L-350	3.5x16 W2





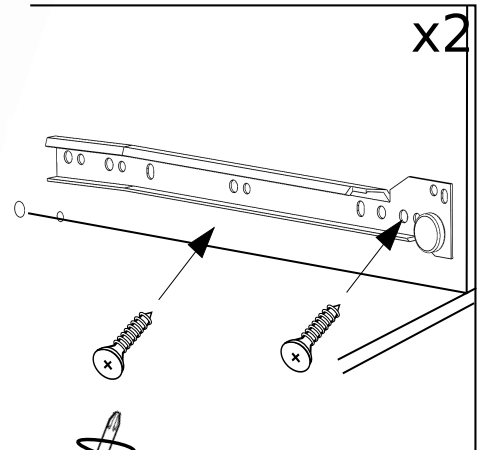
16



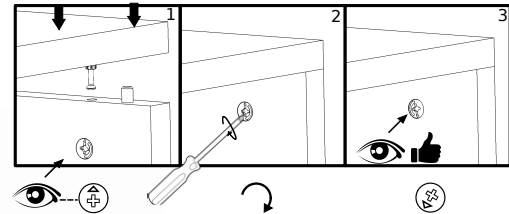
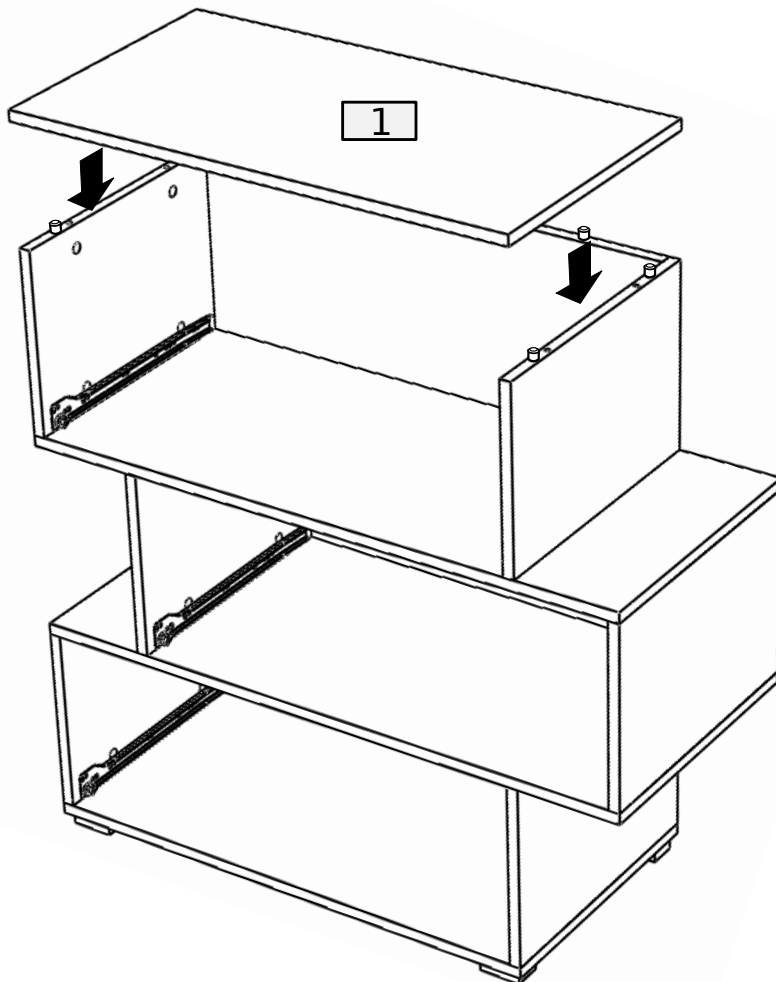
17



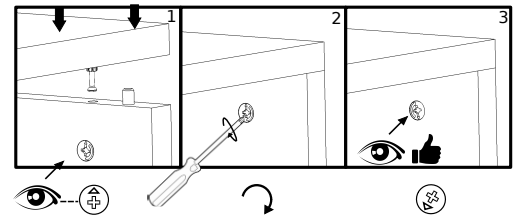
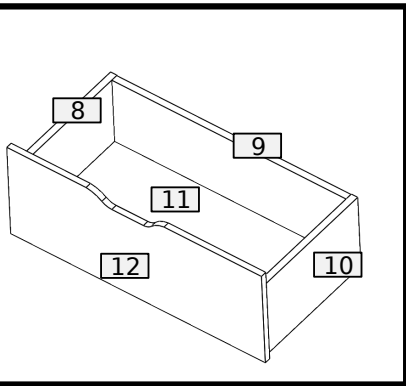
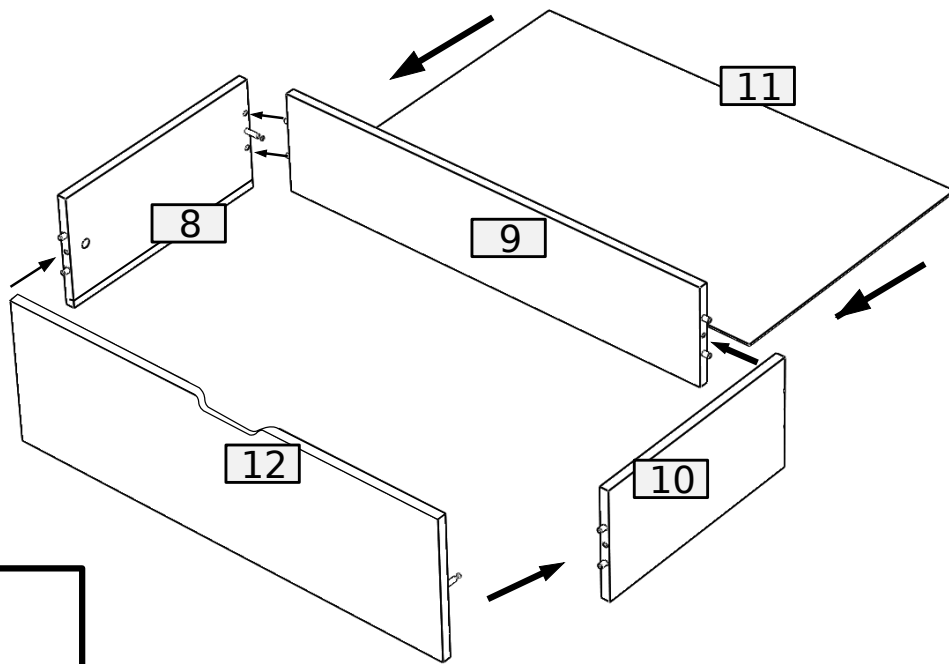
2	4
	
L-350	3.5x16 W2



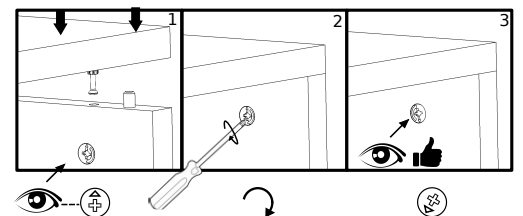
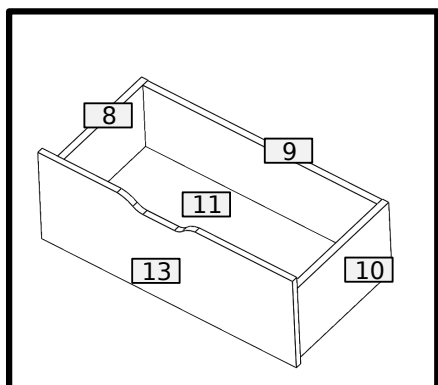
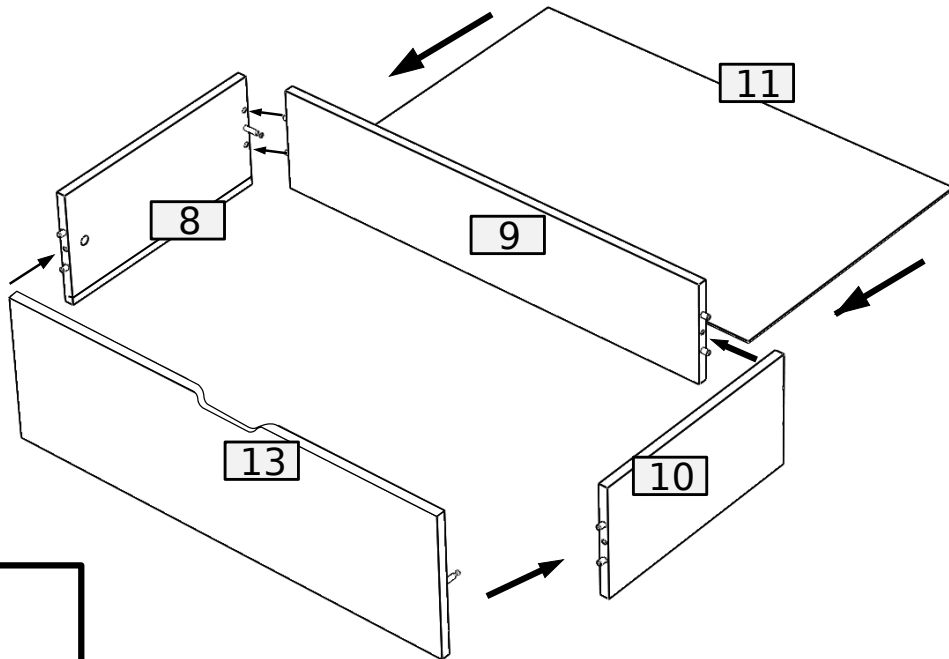
18



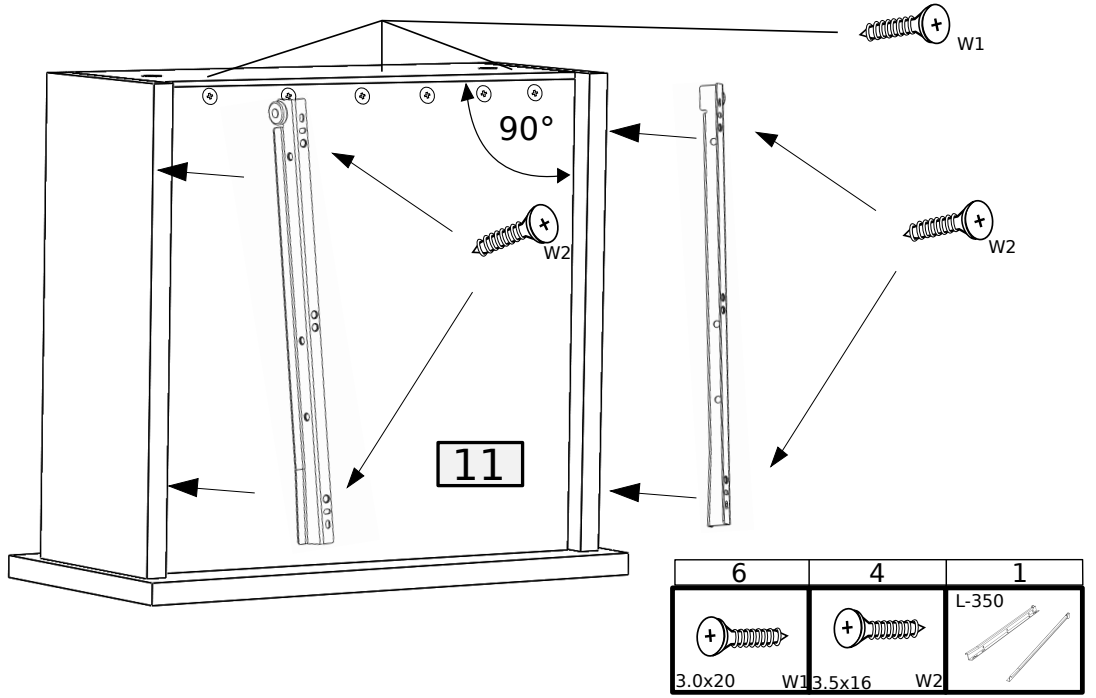
19 x2



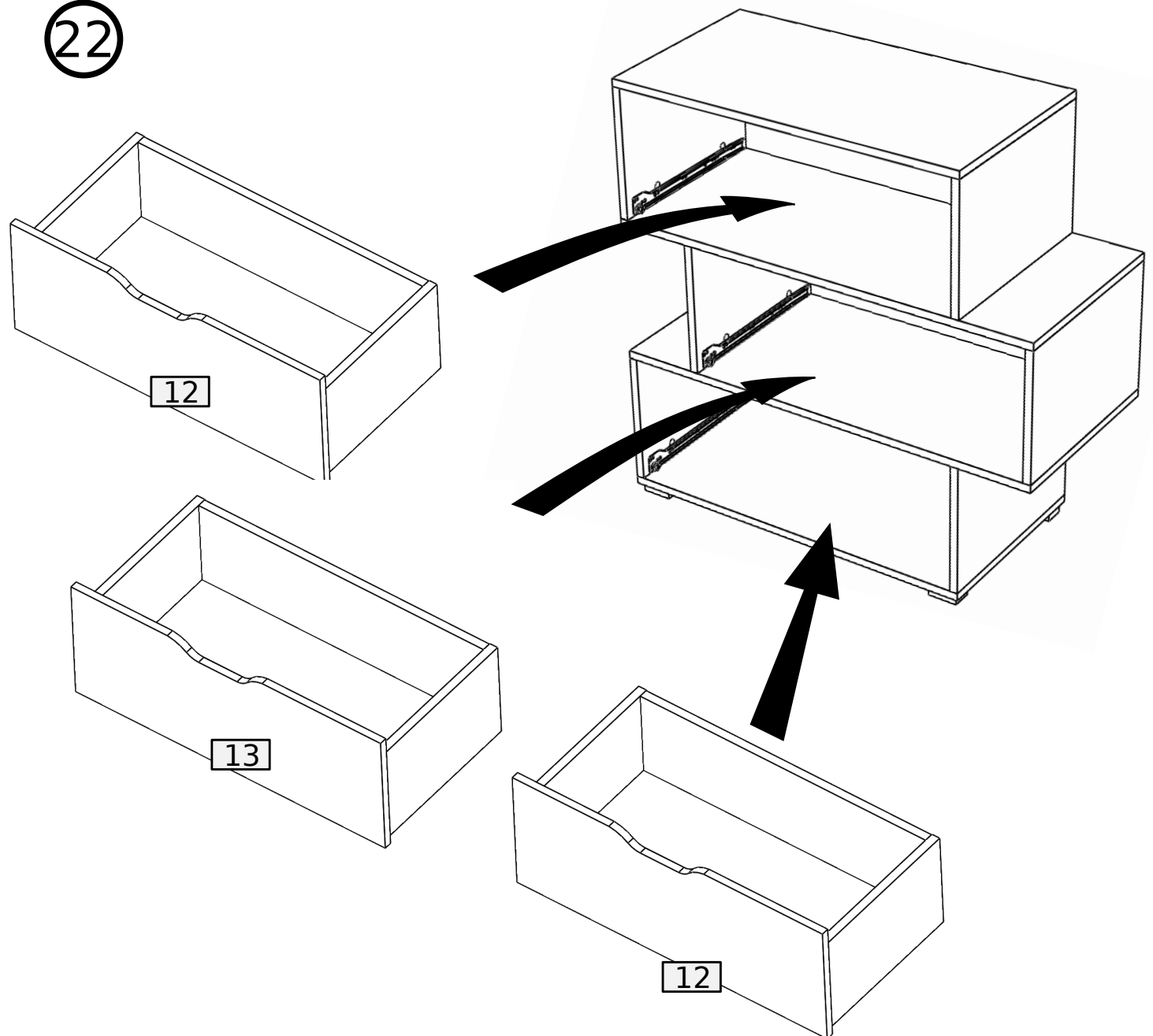
20



21 x4



22



23

