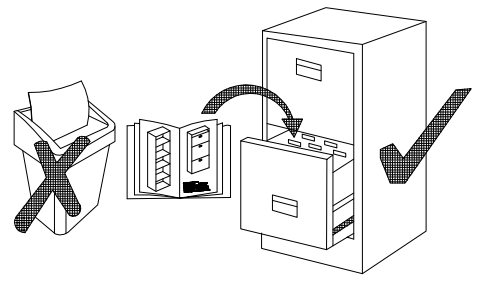
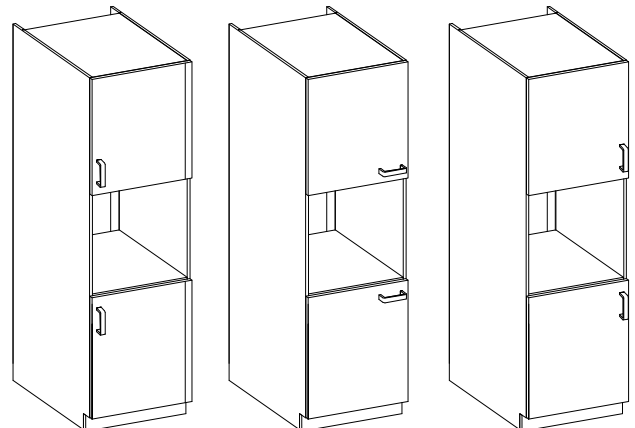
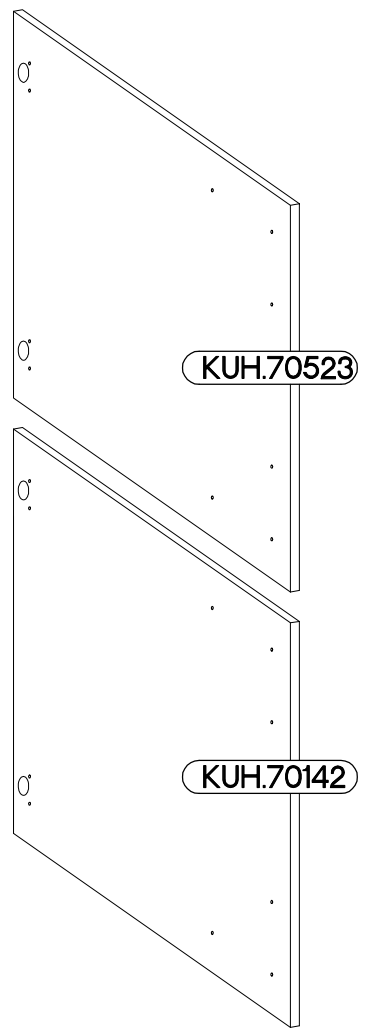
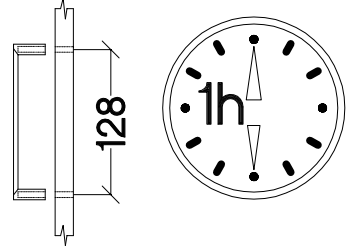
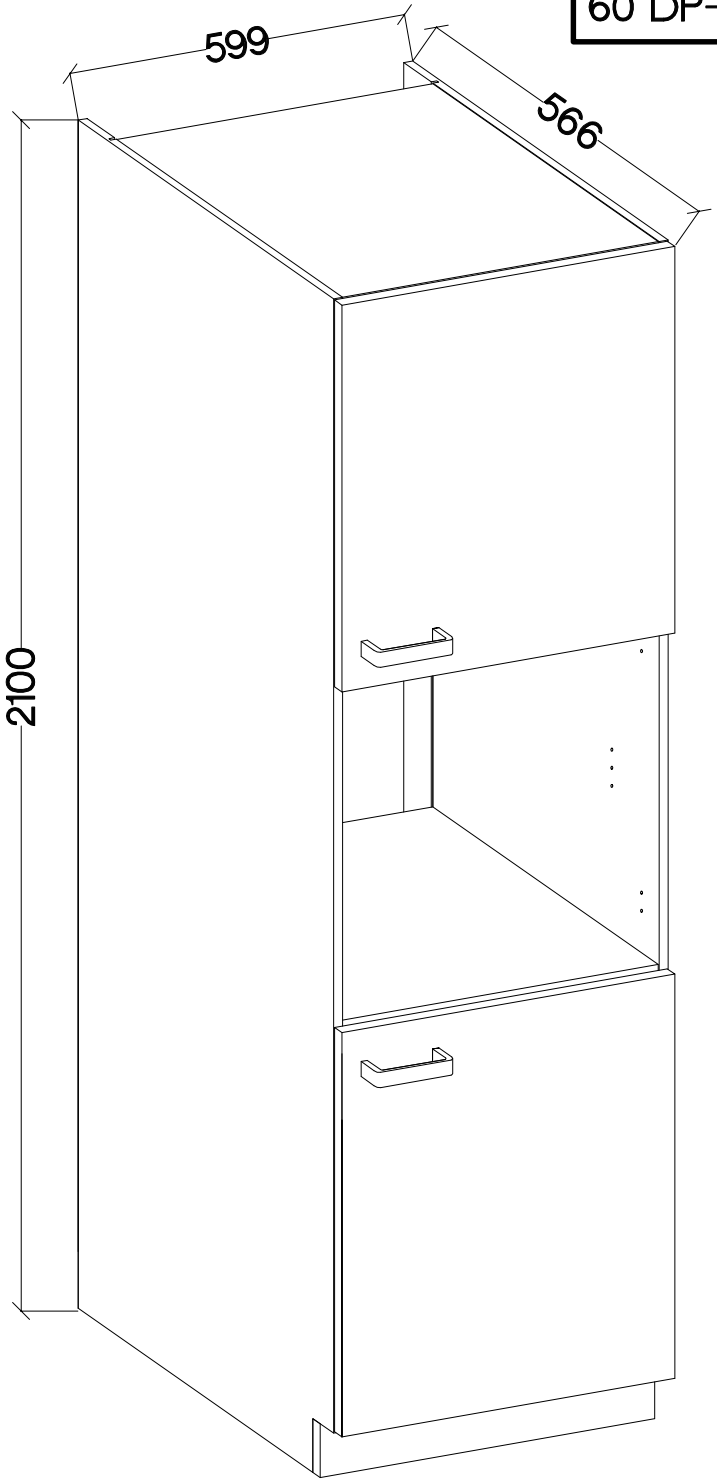
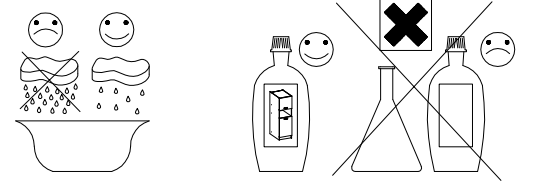
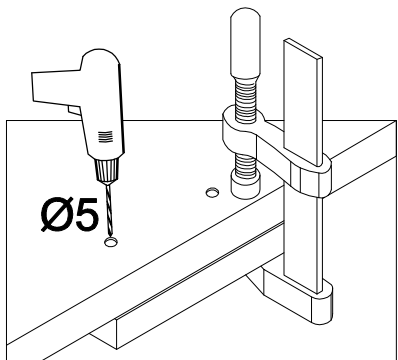
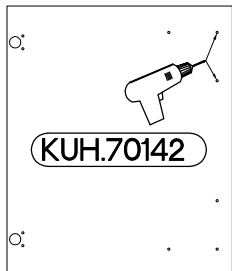
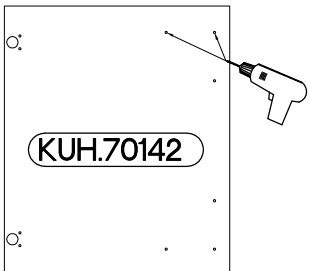
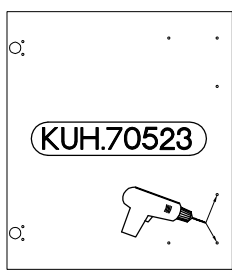
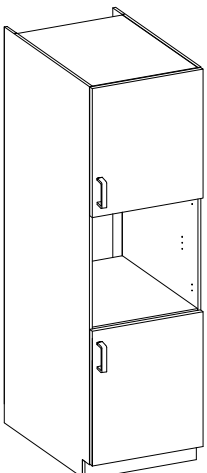
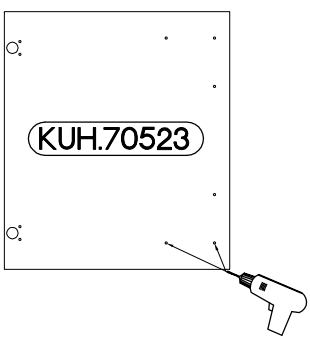
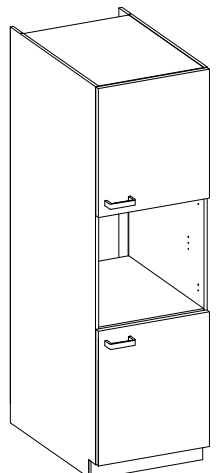
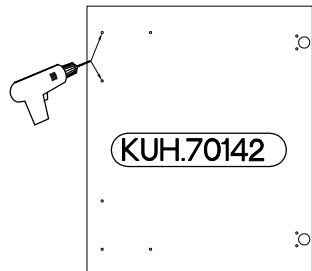
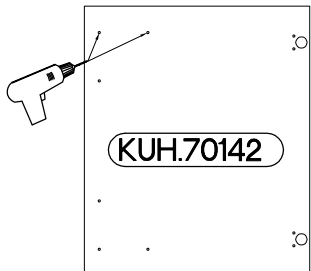
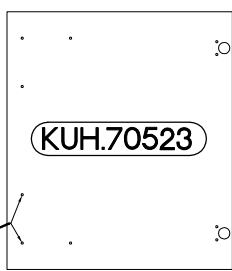
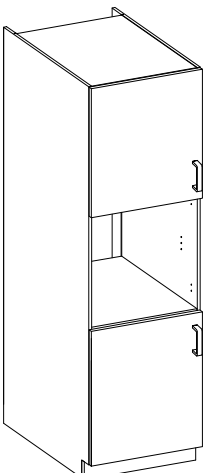
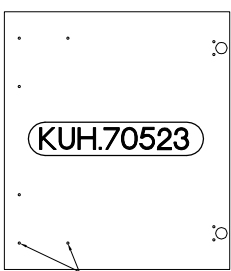
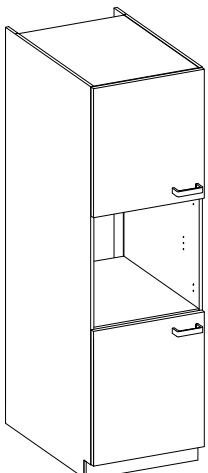
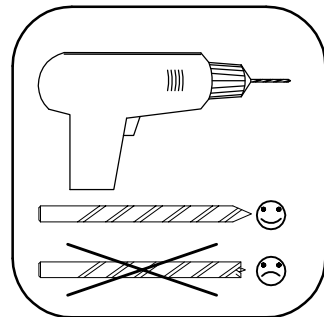


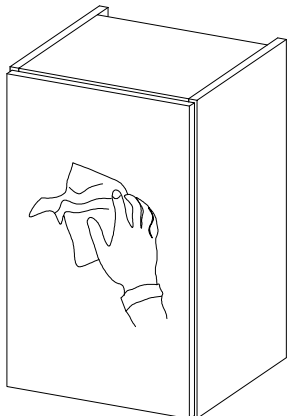
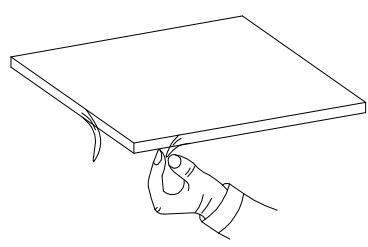
60 DP-2100 2F



ISM-KUH-01103

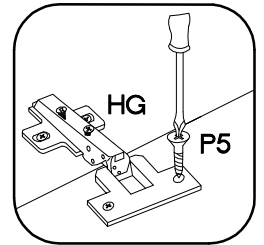
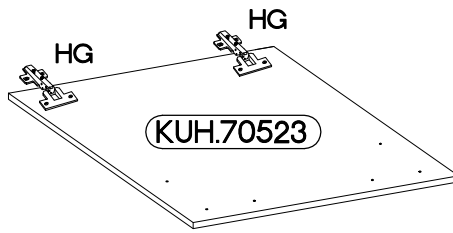
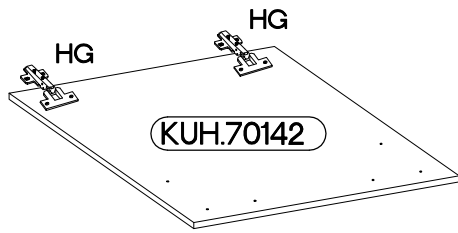


VARIANT HIGH GLOSS

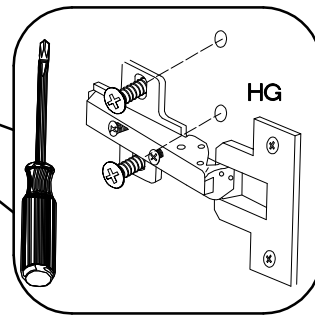
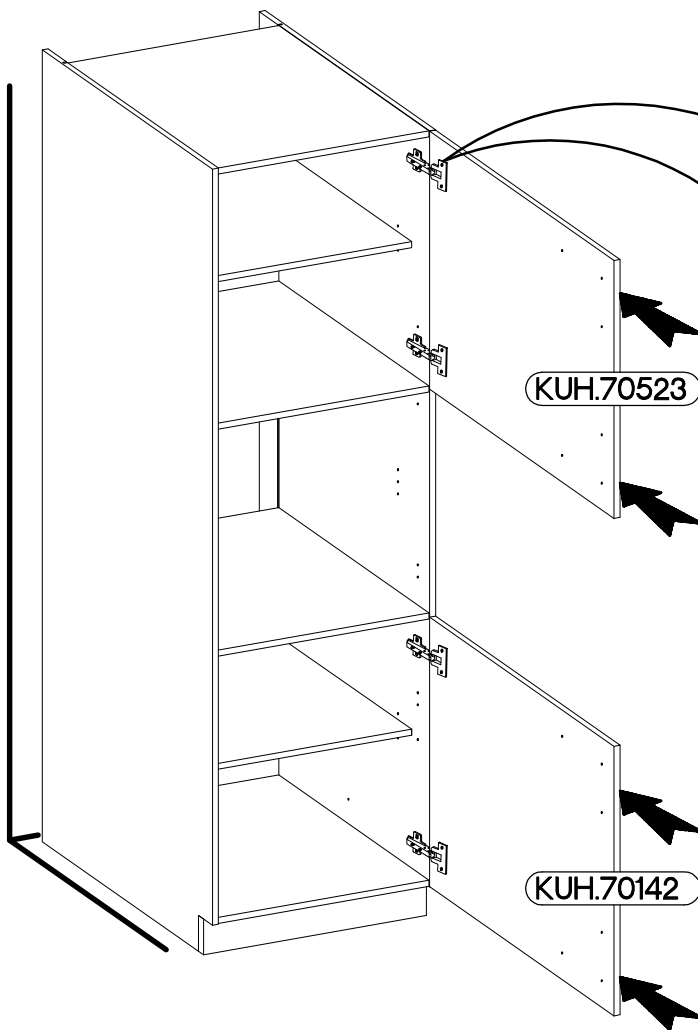


2

+35/0mm HG 4	+3.5x13mm P5 8
--------------------	----------------------



3



M4x22mm U 4	S23 2
-------------------	----------

