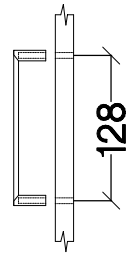
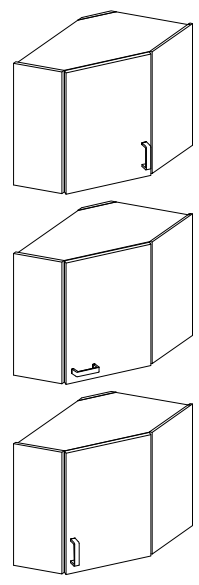
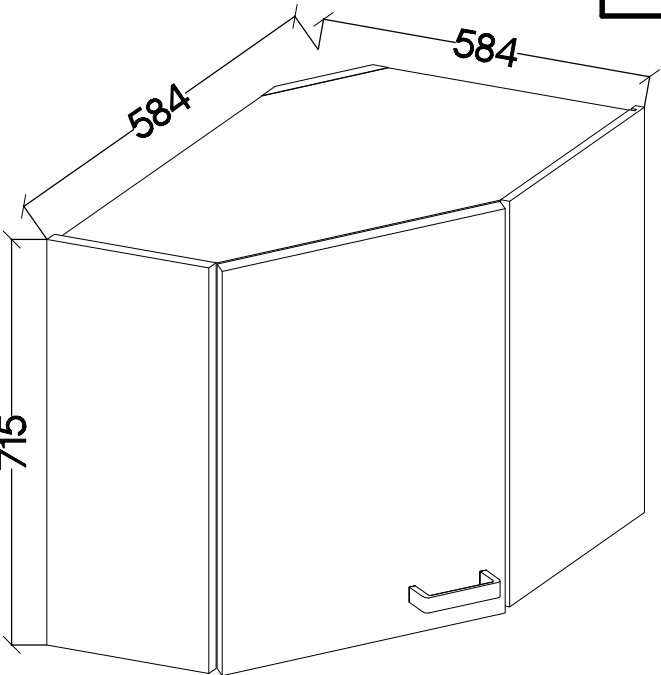
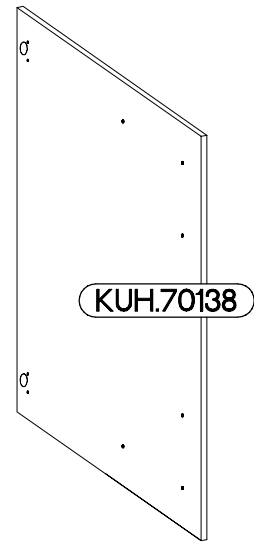
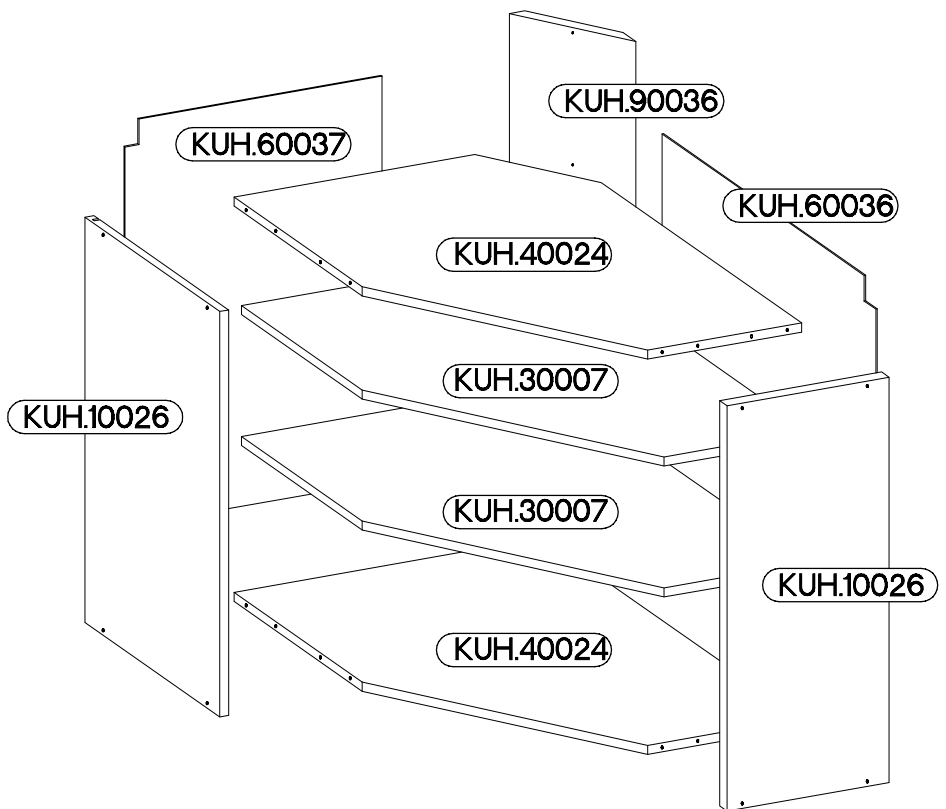
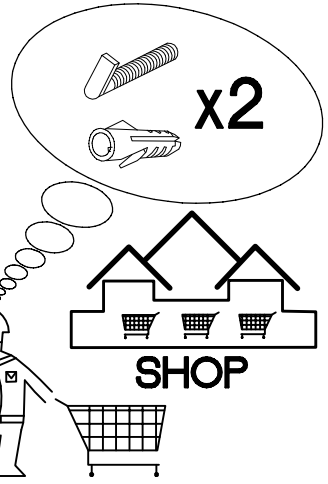
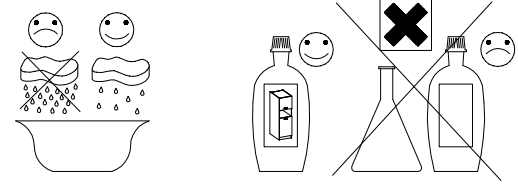


58x58 GN-72 1F

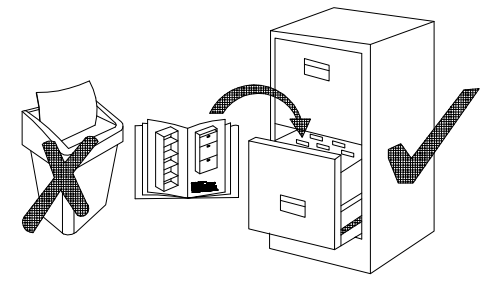


max. 5kg

KUH.30007
KUH.40024

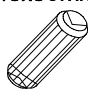
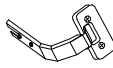


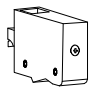


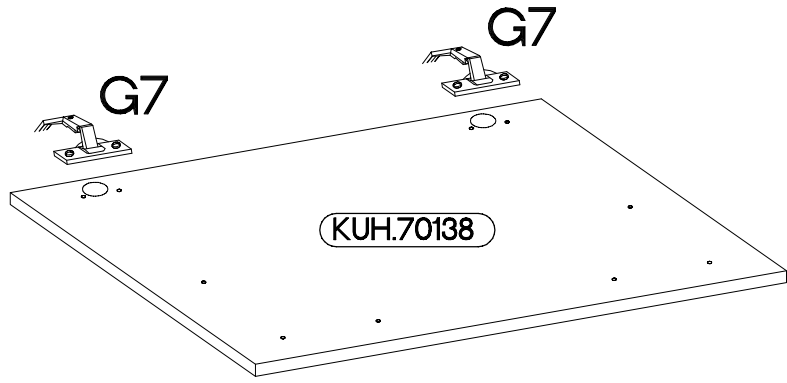
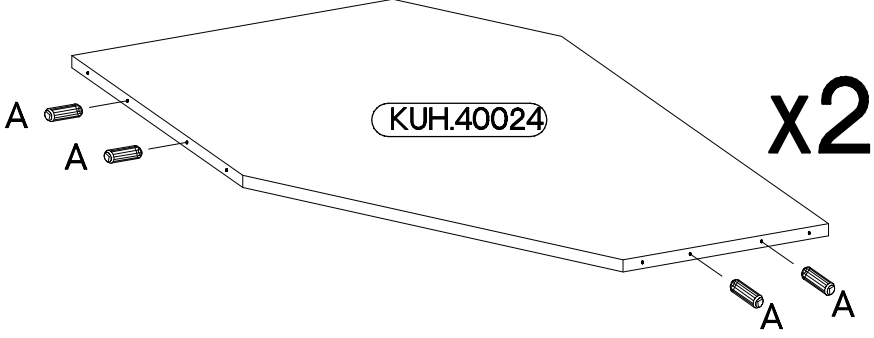
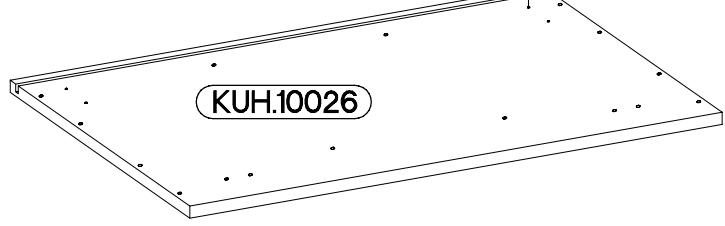
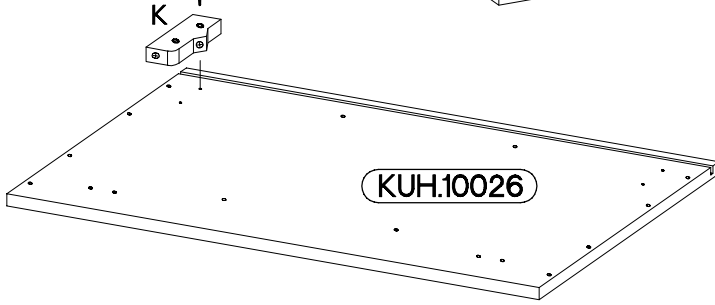
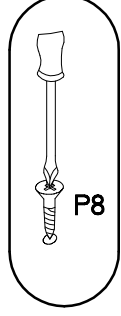
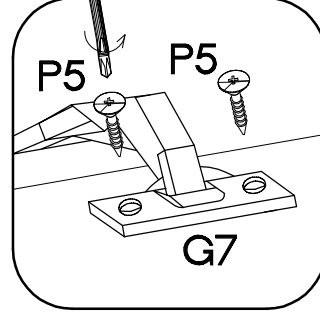
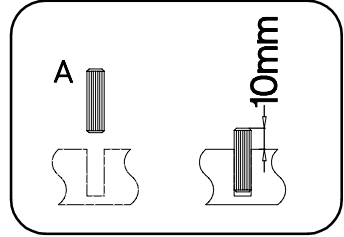
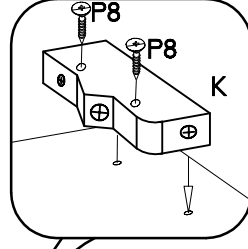
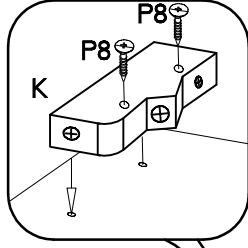
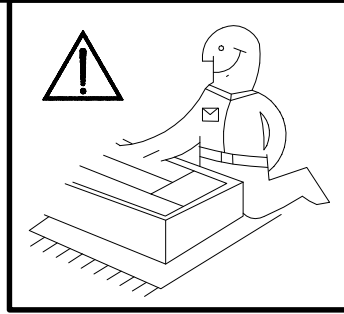
+8x30mm A	6,4 x 50mm B				+5/19mm J	
8	10	8	2	2	10	2
	+3.5x13mm P5	+3.0x20mm P7	+4.0x30mm P8		M4x22mm U	
1	4	15-20	4	1	2	



ISM-KUH-00943

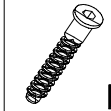
1

+8x30mm  A	 G7	+3.5x13mm  P5	+4.0x30mm  P8	 K
8	2	4	4	2



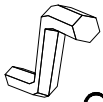
2

6,4 x 50mm



B

4



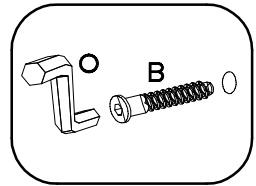
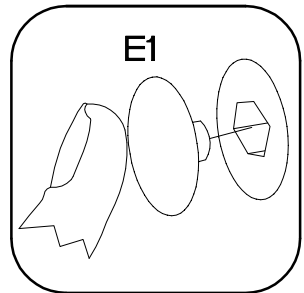
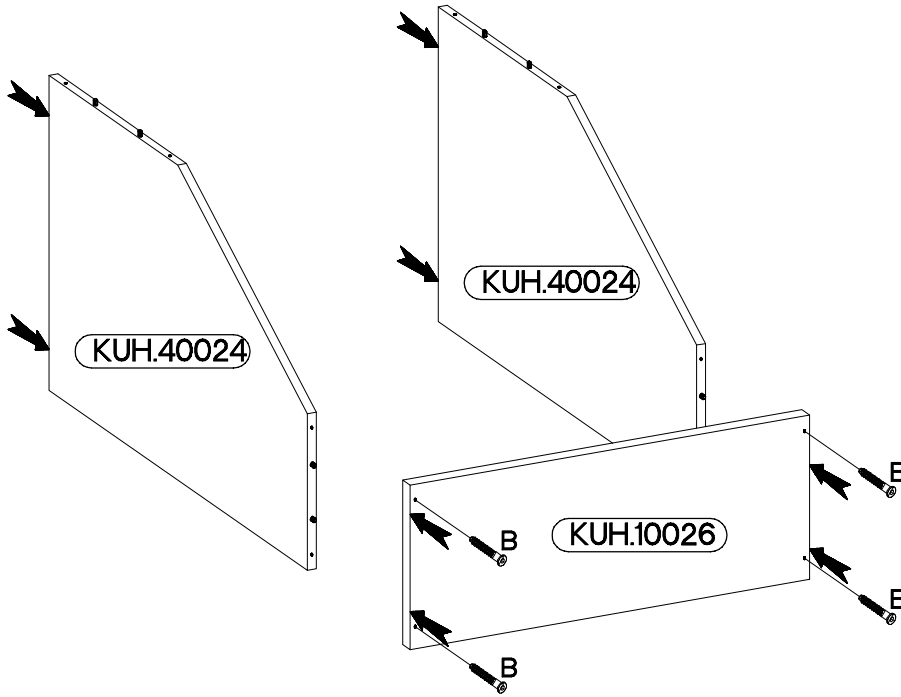
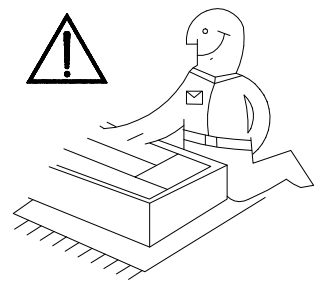
O

1



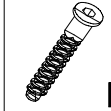
E1

4



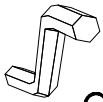
3

6,4 x 50mm



B

4



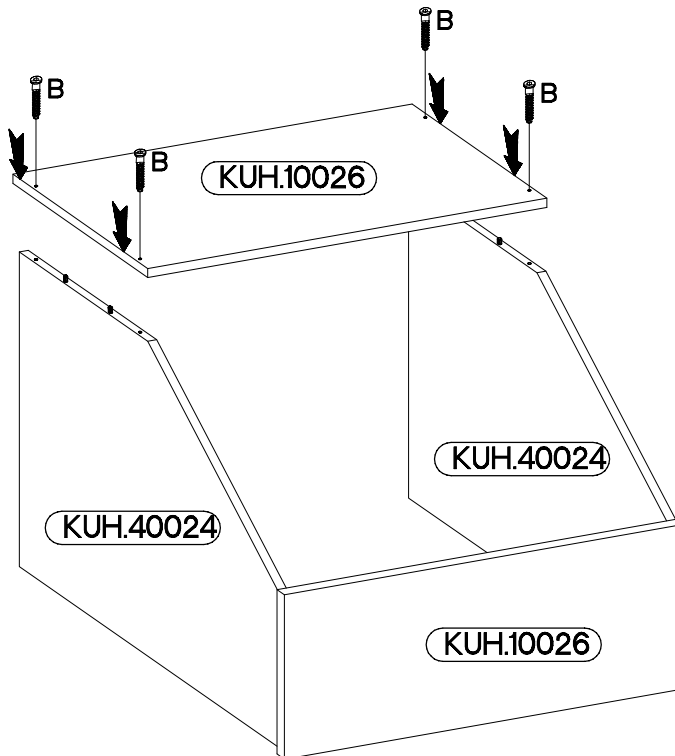
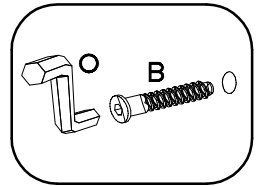
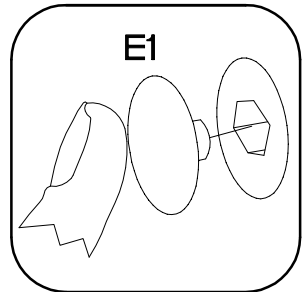
O

1




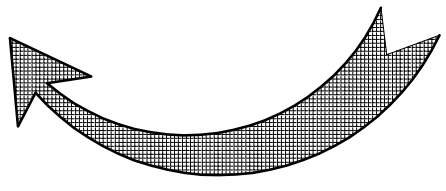
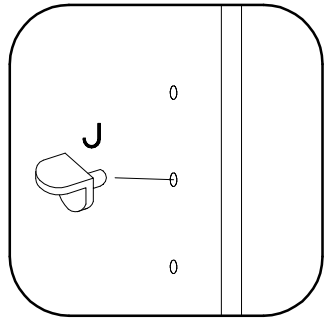
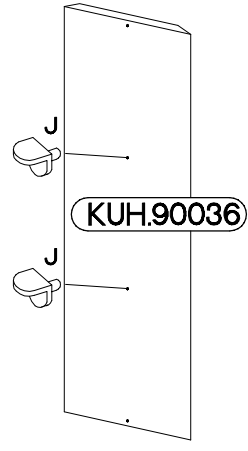
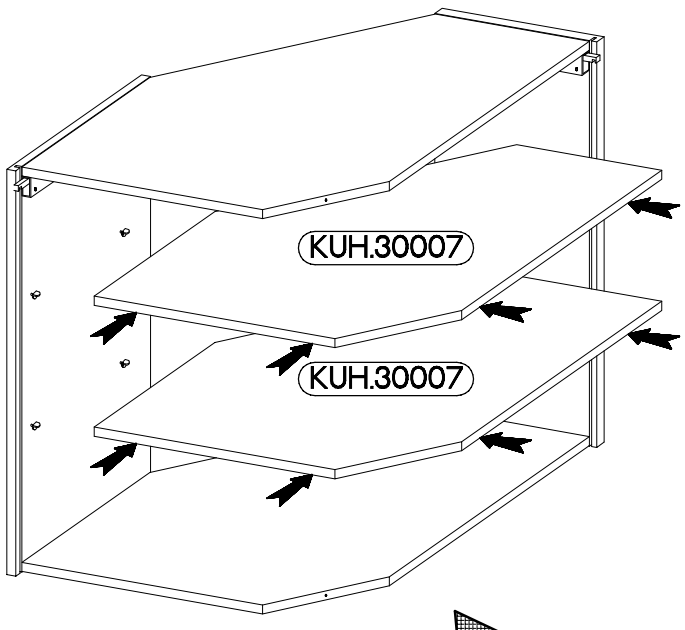
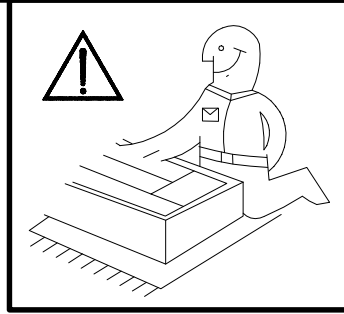
E1

4


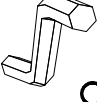


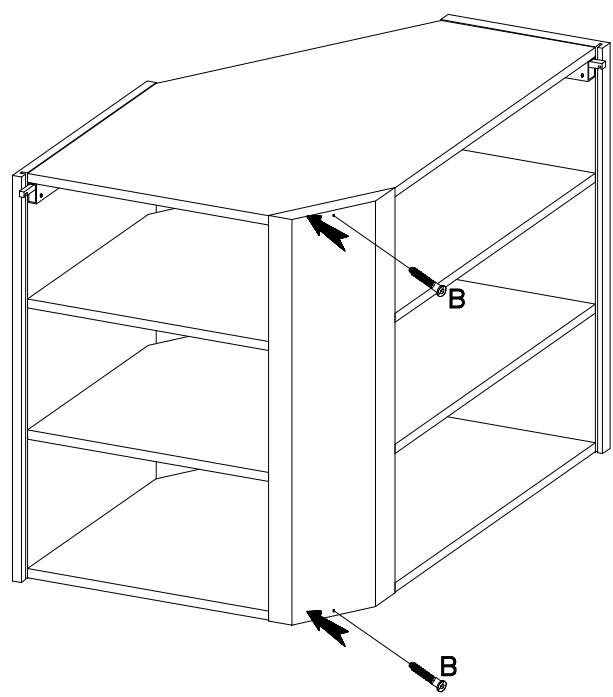
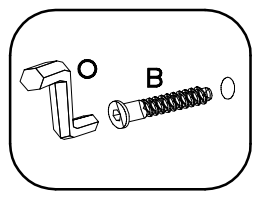
4

±5/19mm

J
10



5

6,4 x 50mm	
	
B	O
2	1



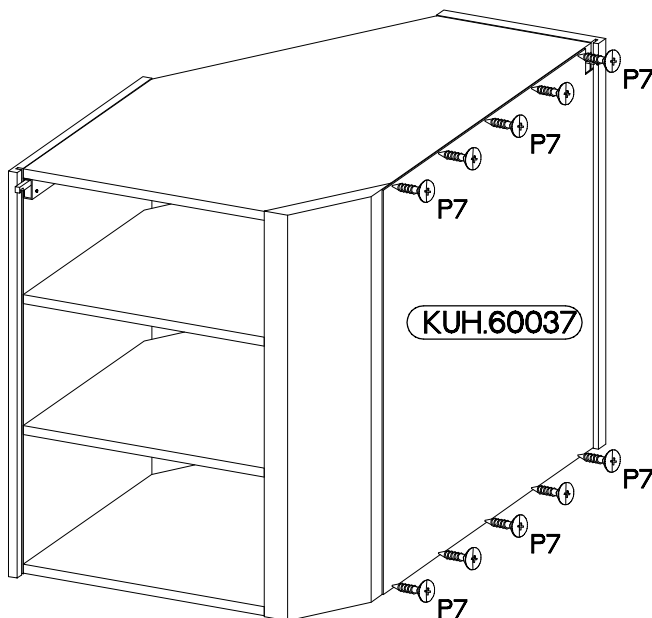
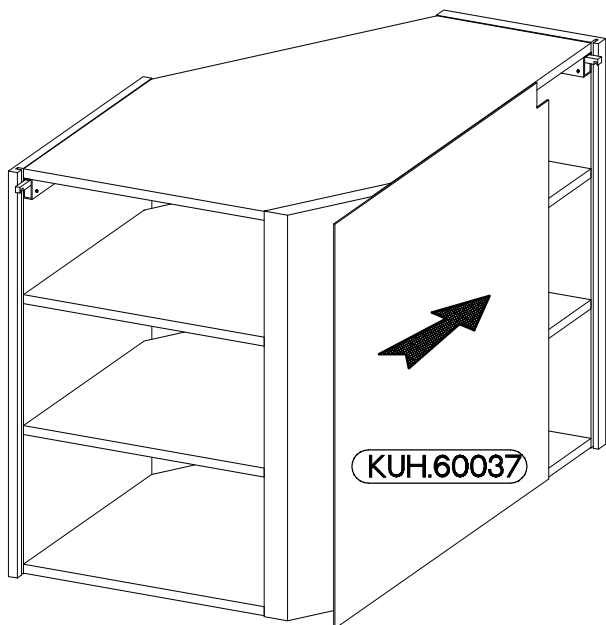
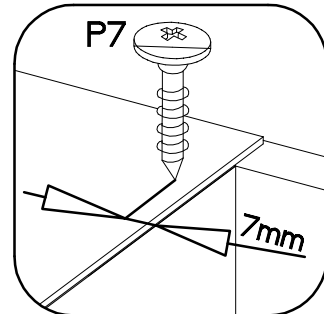
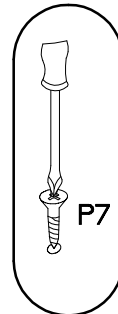
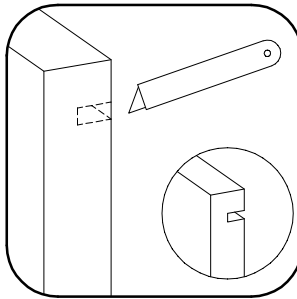
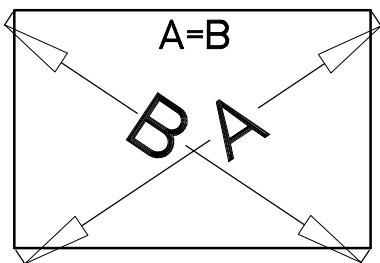
6

±3.0x20mm



P7

10-15



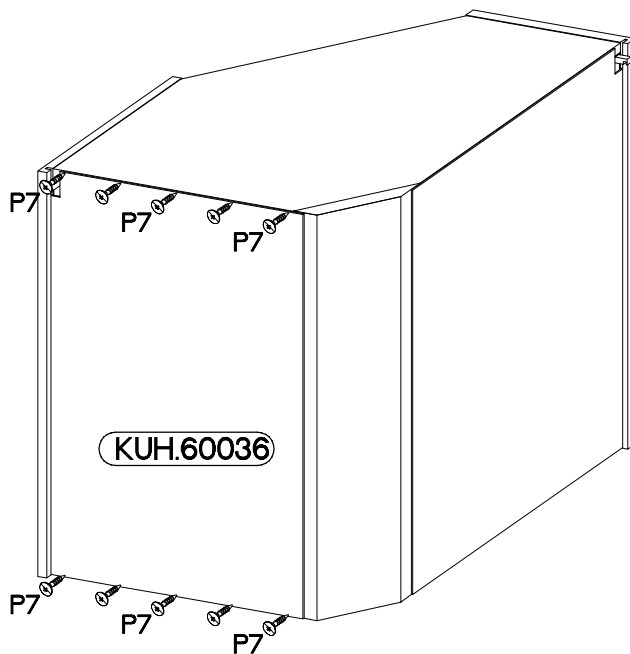
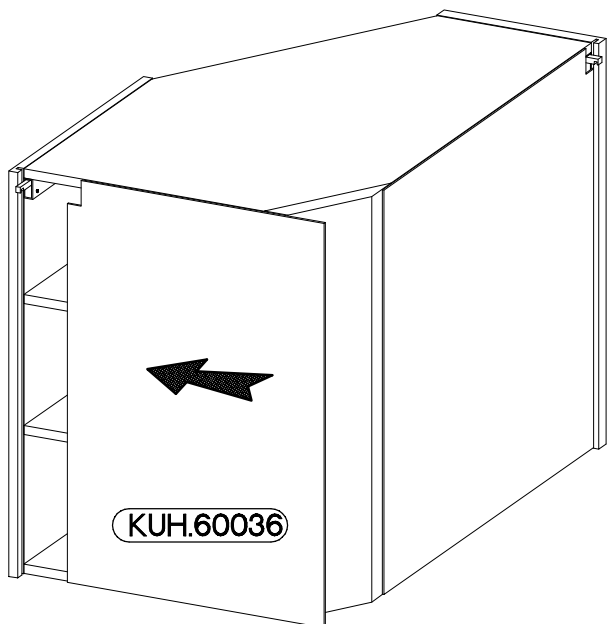
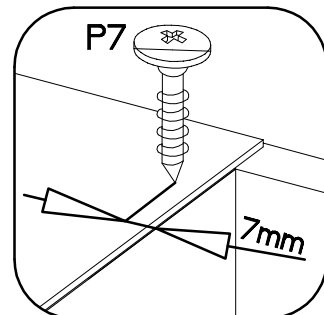
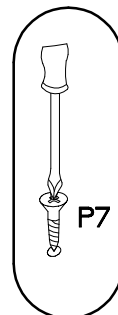
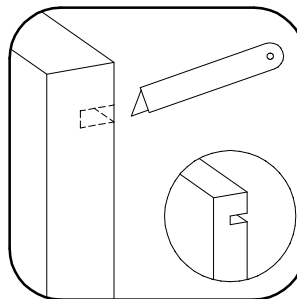
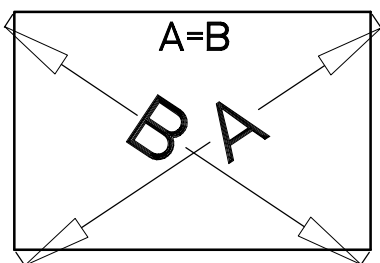
7

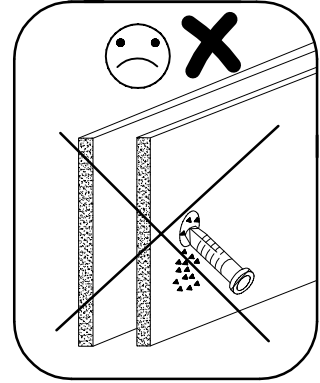
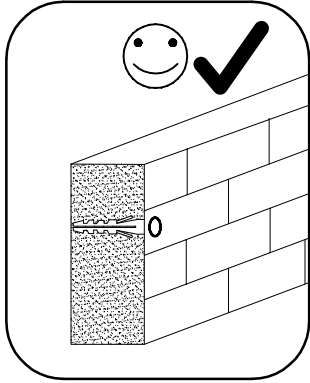
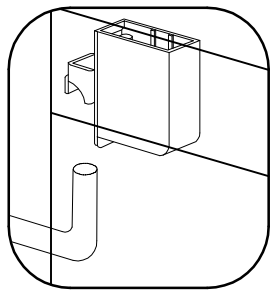
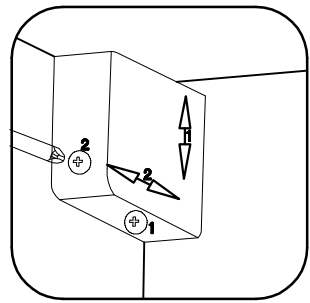
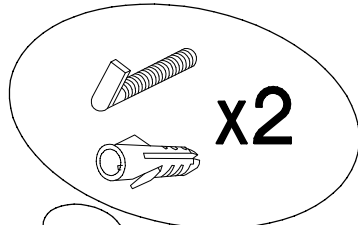
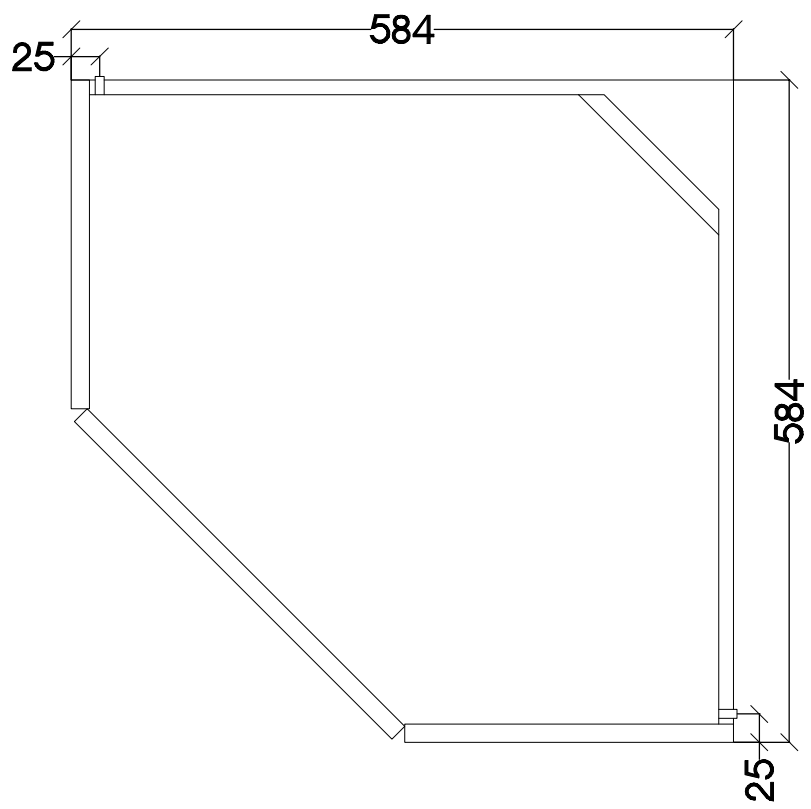
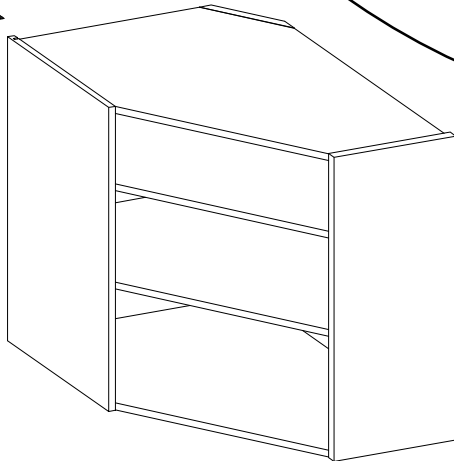
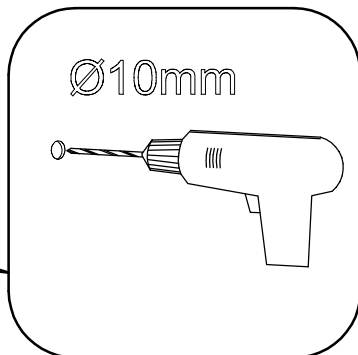
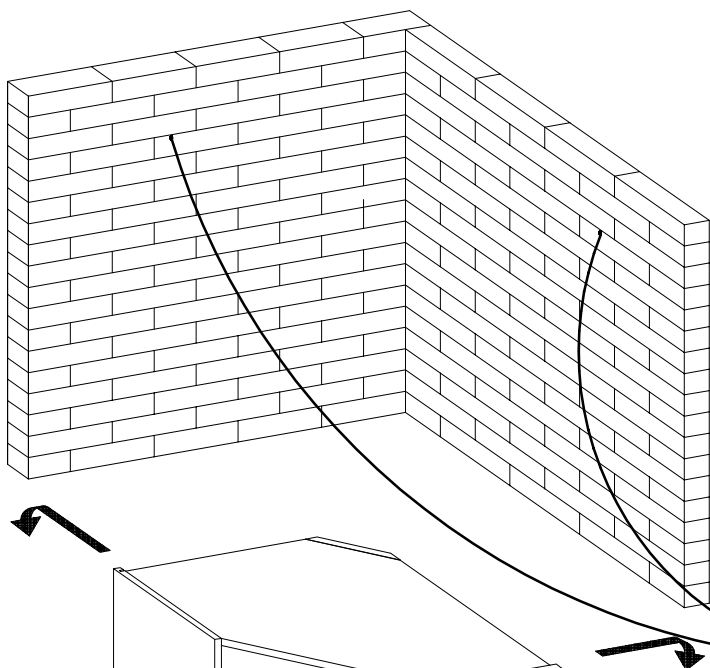
±3.0x20mm

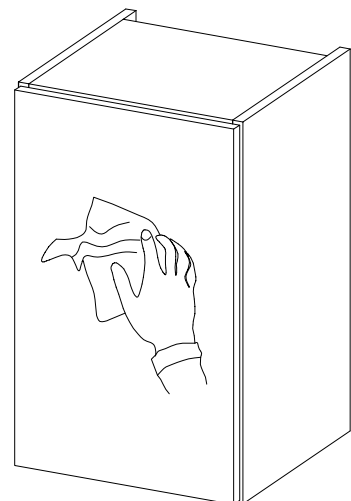
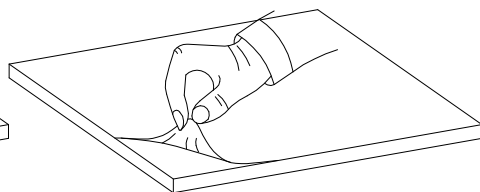
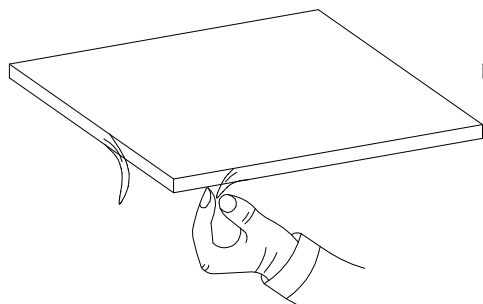
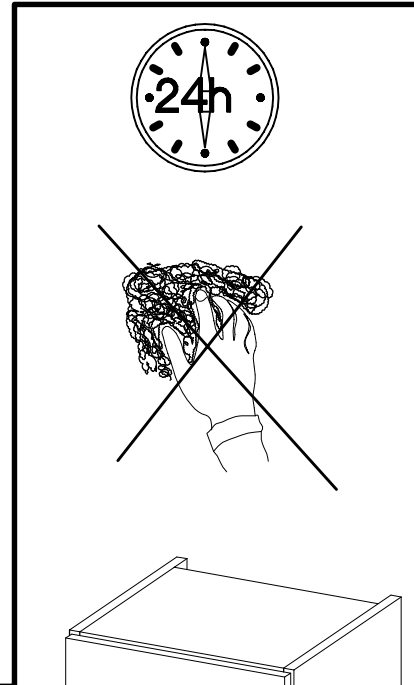
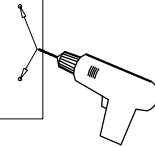
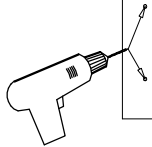
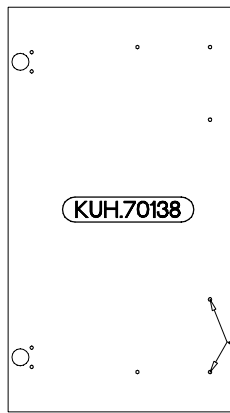
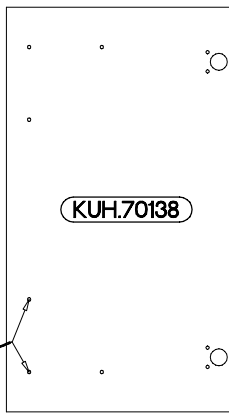
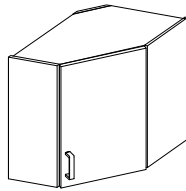
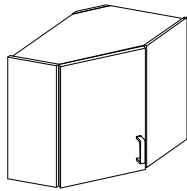
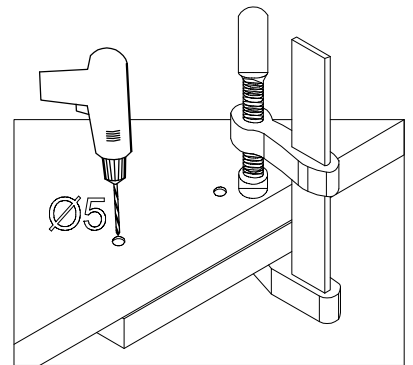
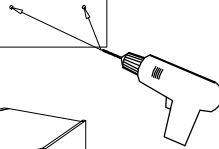
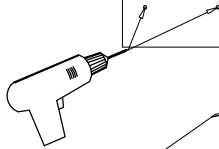
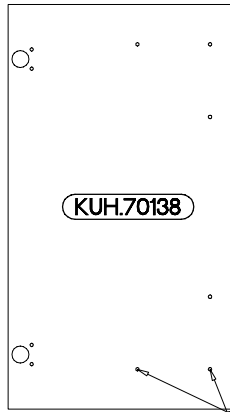
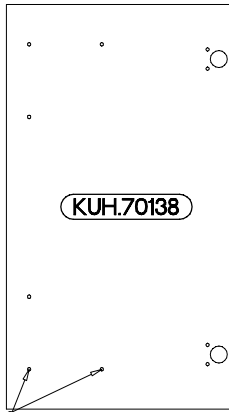
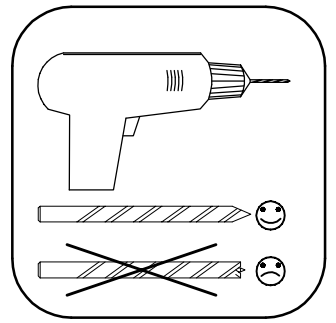
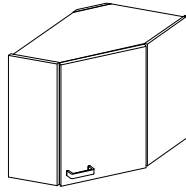
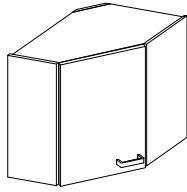


P7

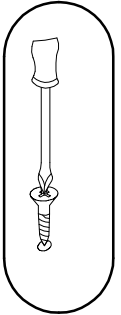
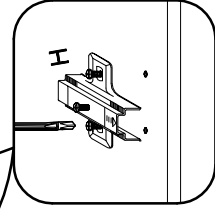
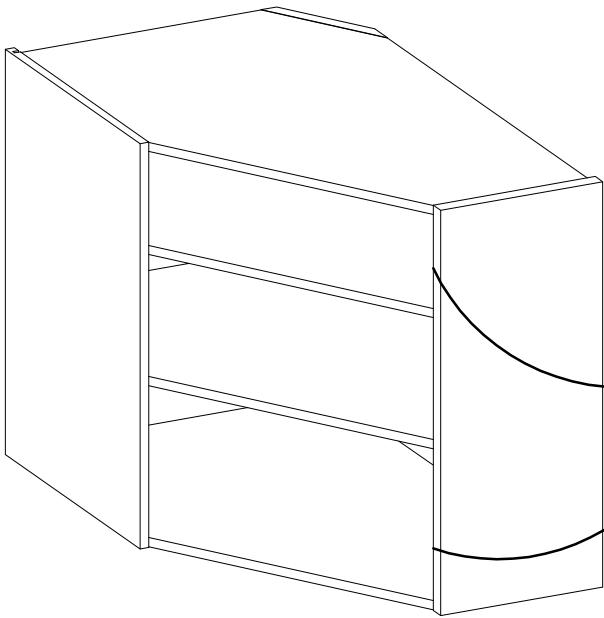
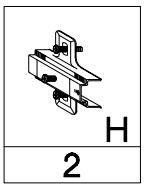
10-15







10



11

