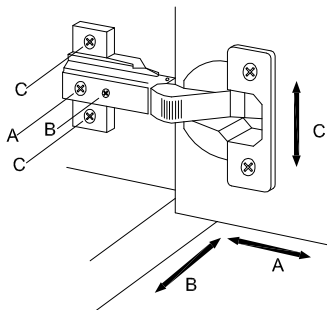
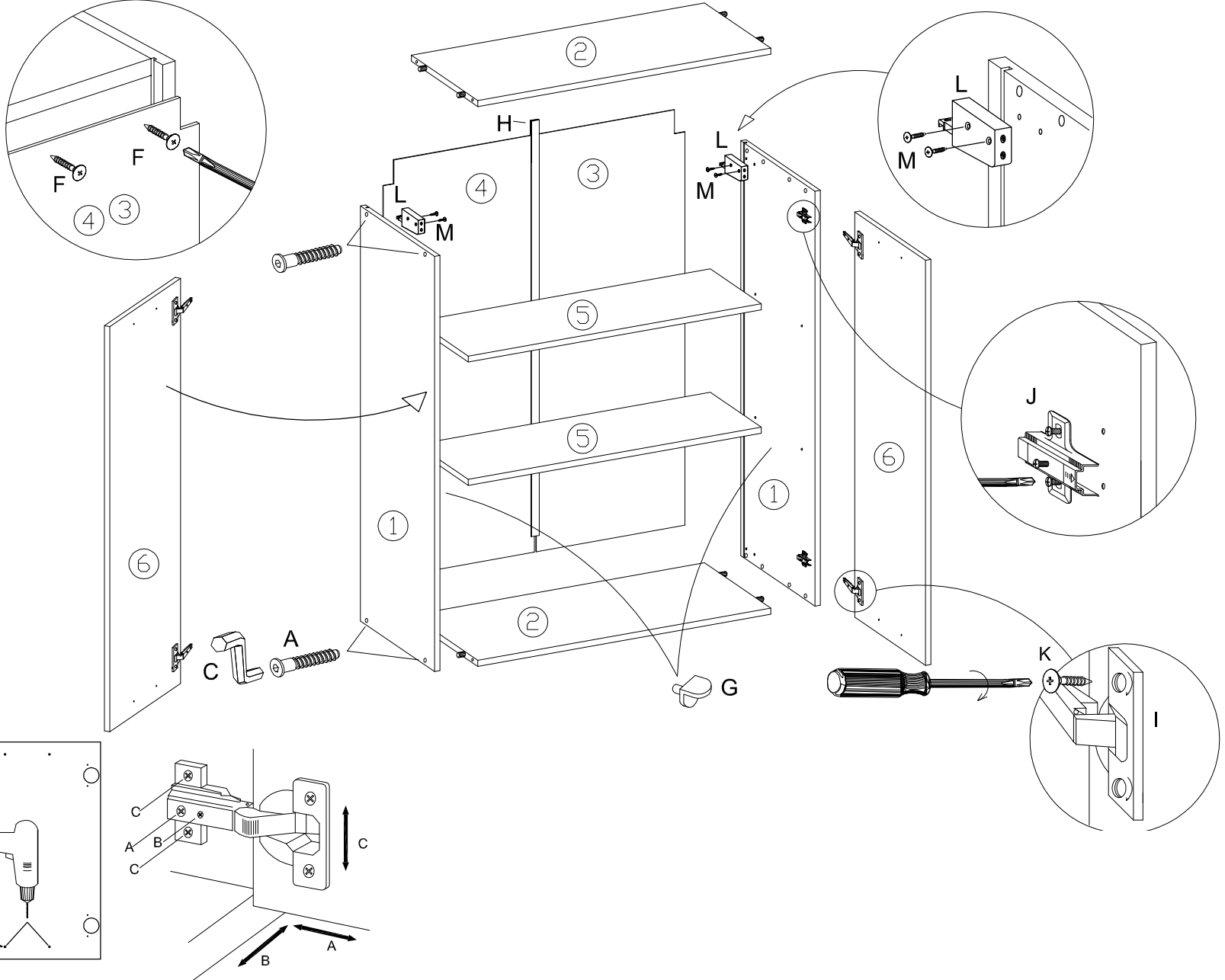
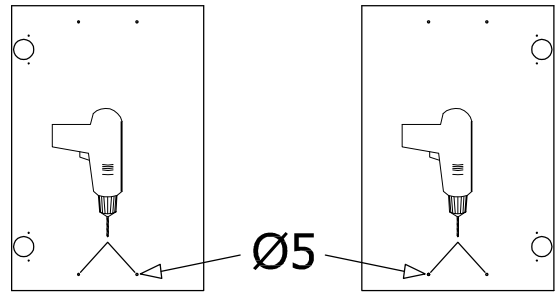
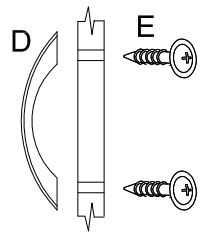
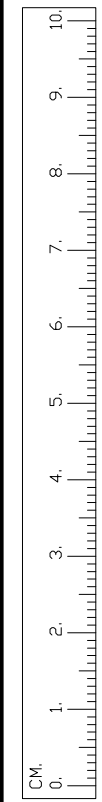
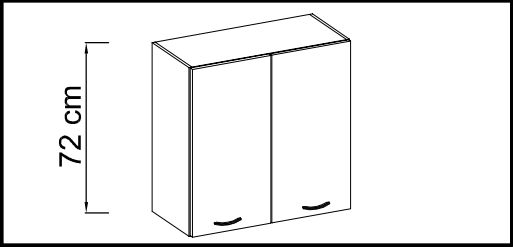

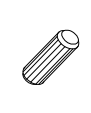
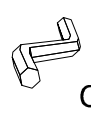



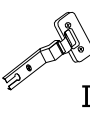
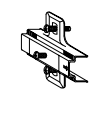

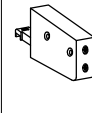


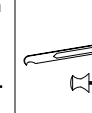
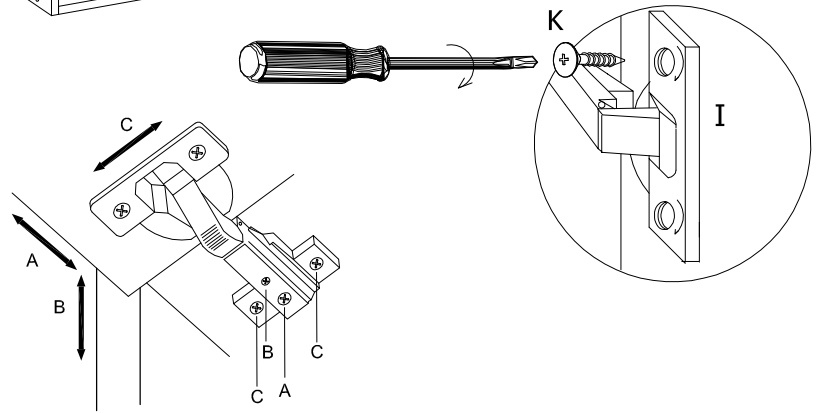
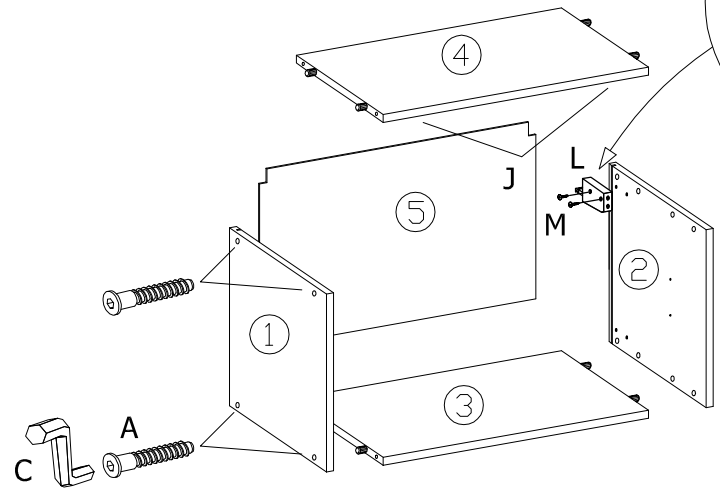
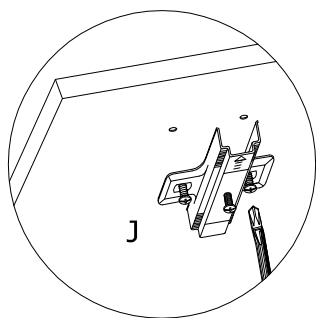
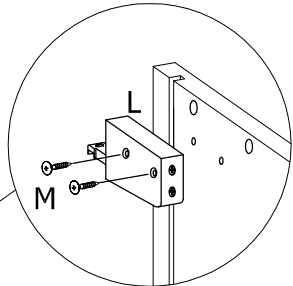
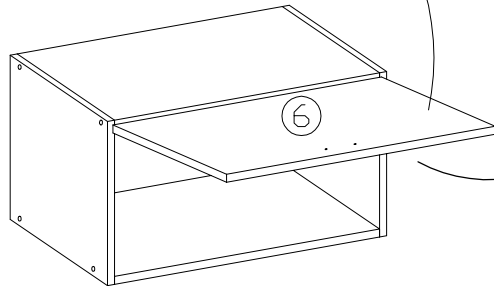
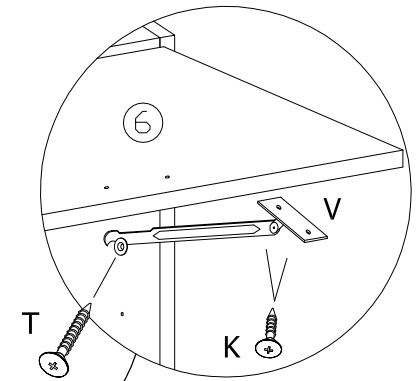
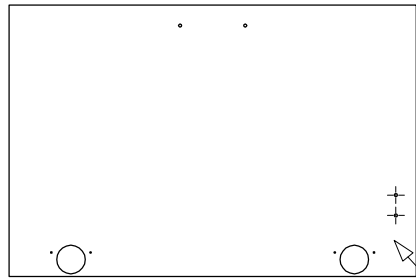
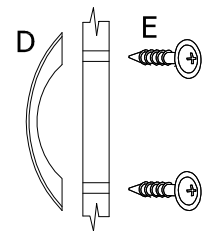
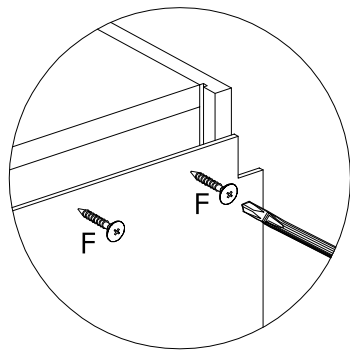
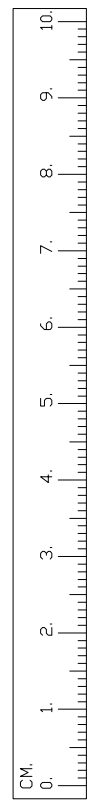
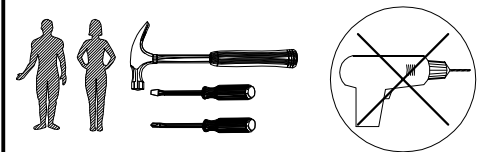
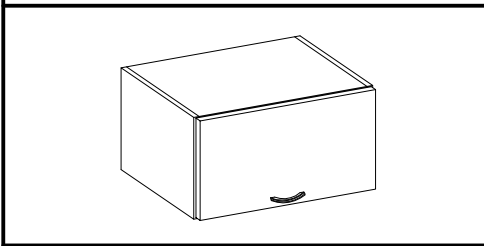
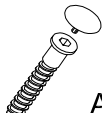

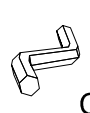




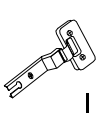
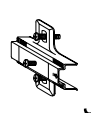

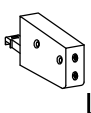


A	B	C	D	E	F	G	H	I	J	K	L	M
8	8	1	2	4	10-15	8	1	4	4	8	2	4

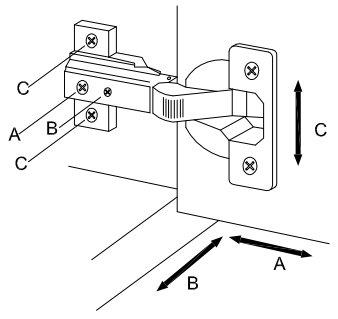
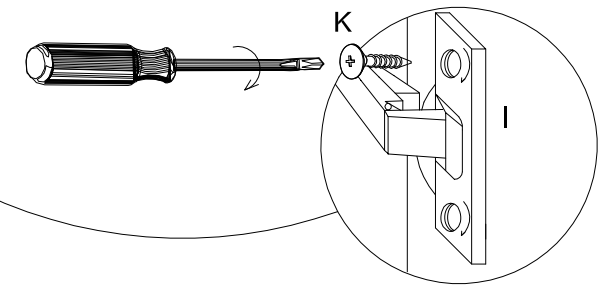
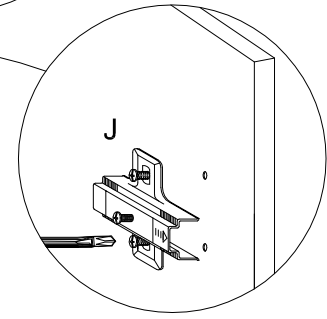
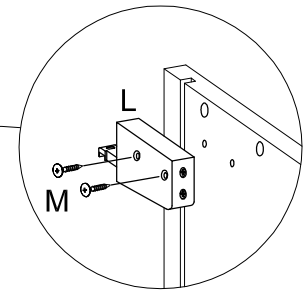
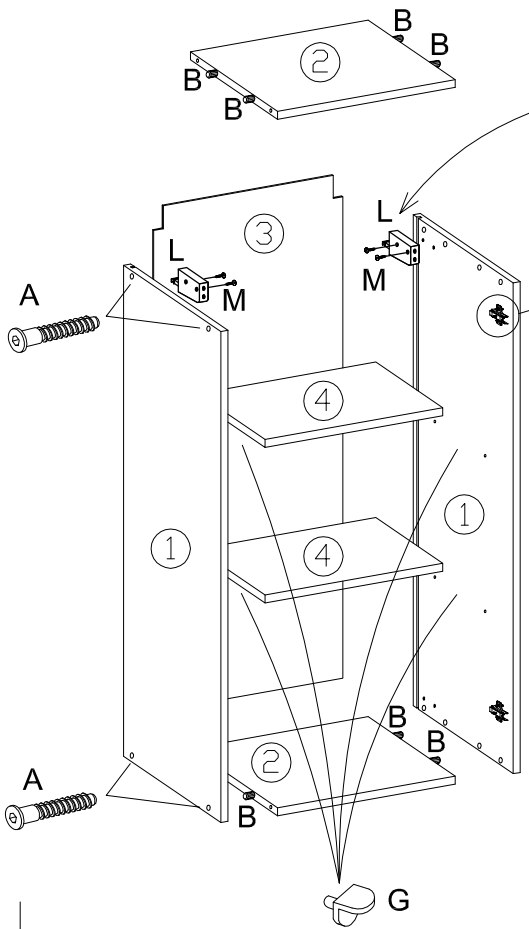
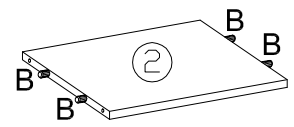
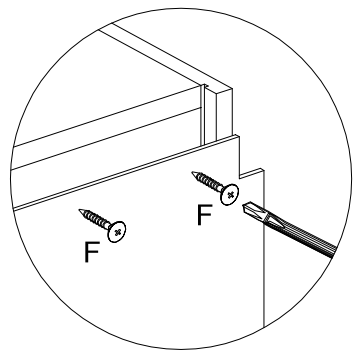
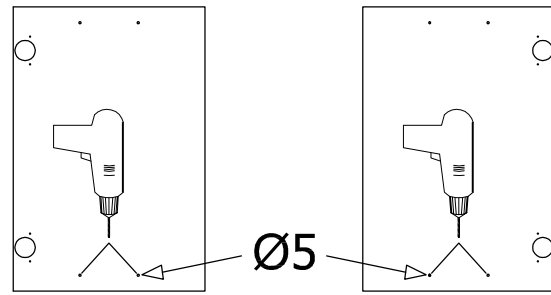
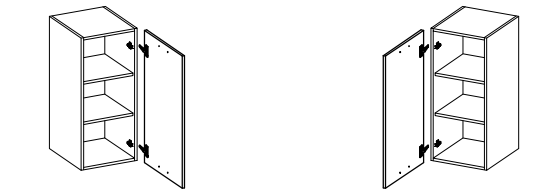
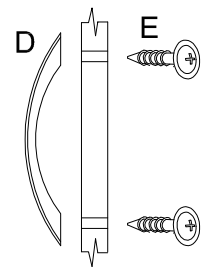
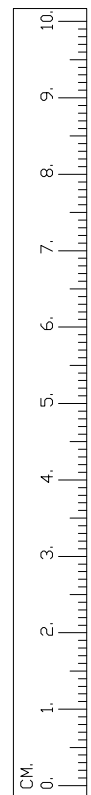
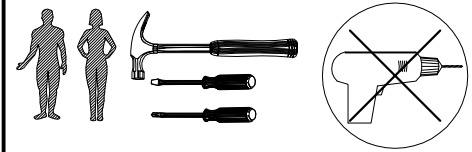
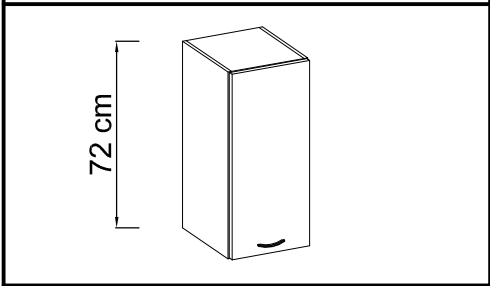


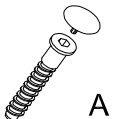
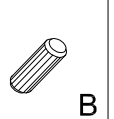
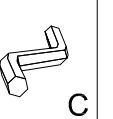
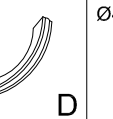
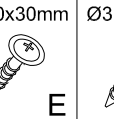
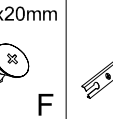
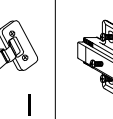
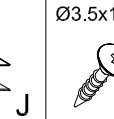
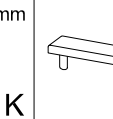
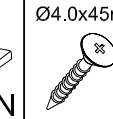


We regret to inform you, that in line complaint please give NO packet and NO missing and spoil element.

												
A	B	C	D	E	F	I	J	K	L	M	T	V
8	8	1	1	2	10-15	2	2	6	2	4	1	1

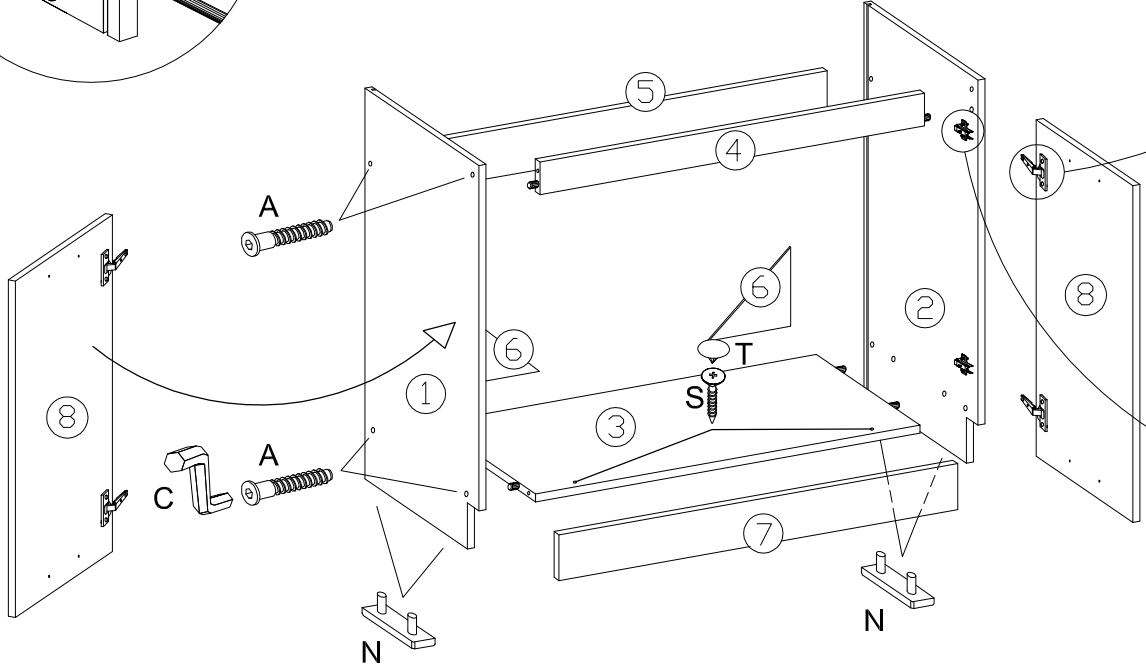
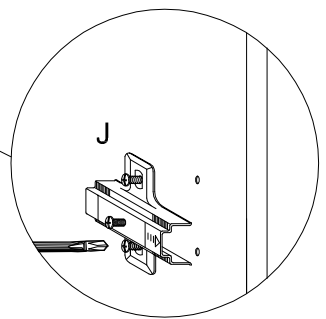
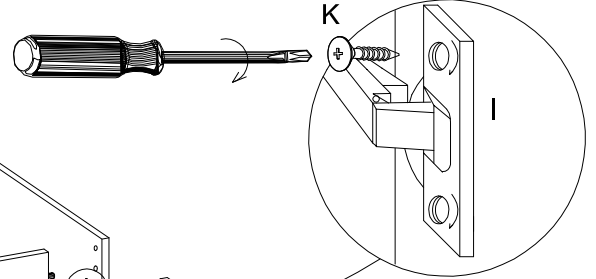
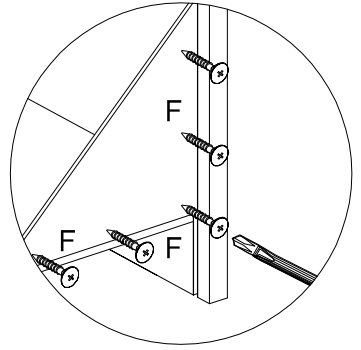
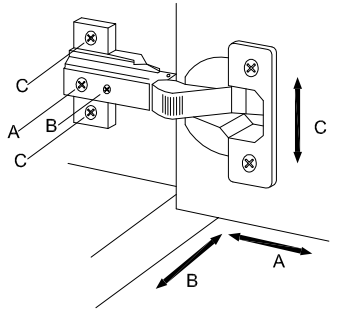
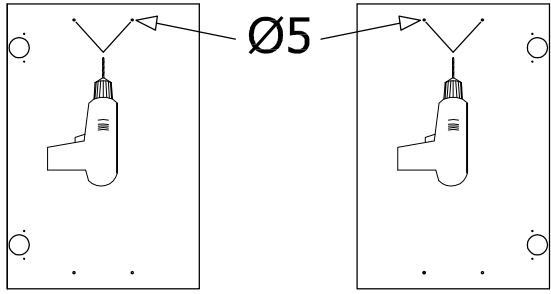
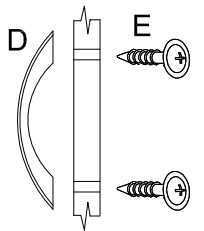
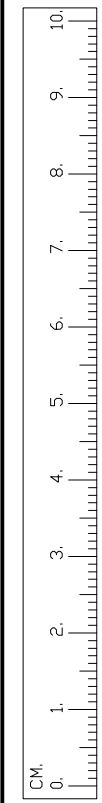
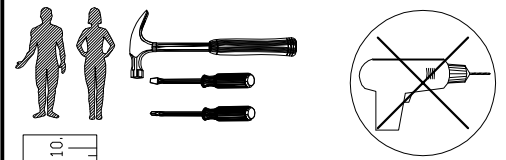
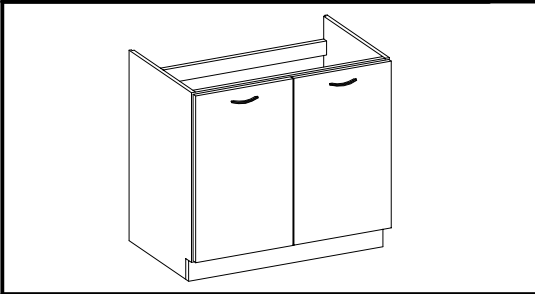


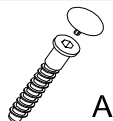
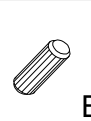
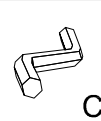

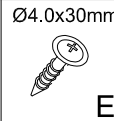

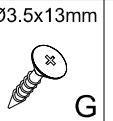
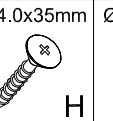
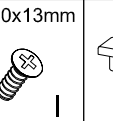
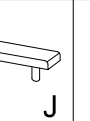

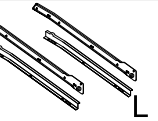
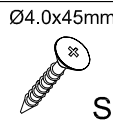
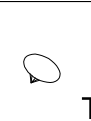
											
8	8	1	1	Ø4.0x30mm 2	Ø3.0x20mm 10-15	8	2	2	Ø3.5x13mm 4	2	Ø4.0x30mm 4

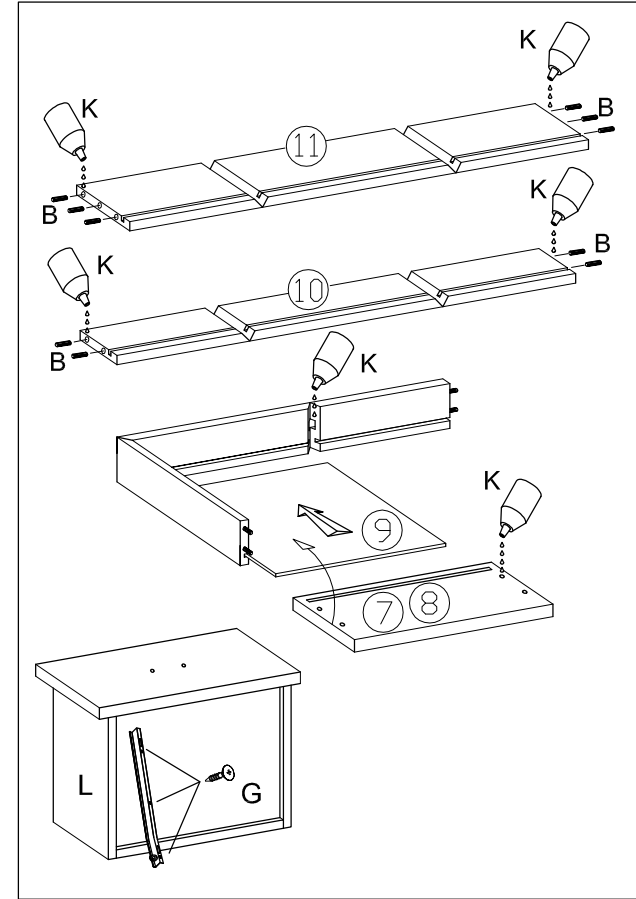
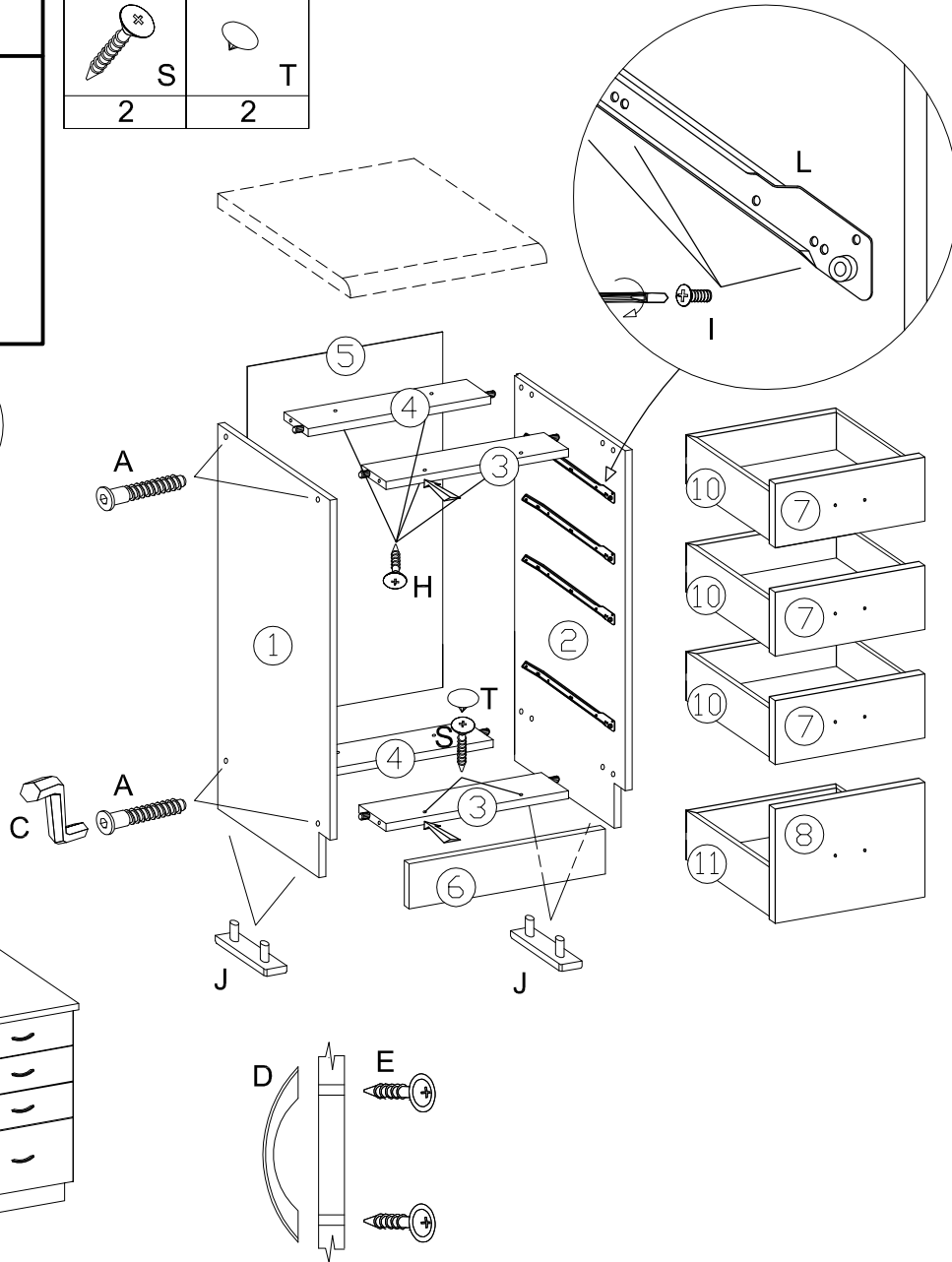
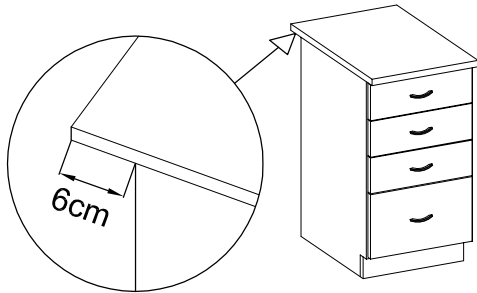
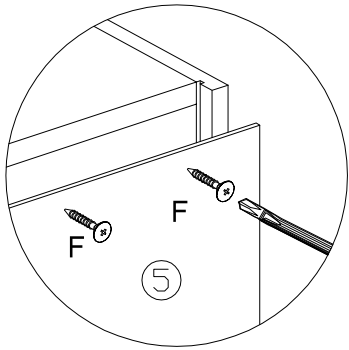
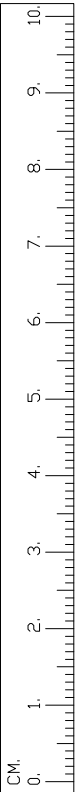
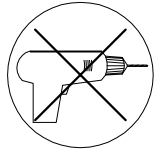
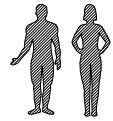
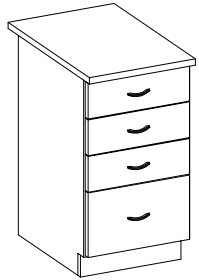


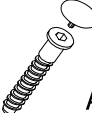




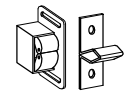
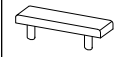


											
8	8	1	2	4	10-15	4	4	8	4	2	2

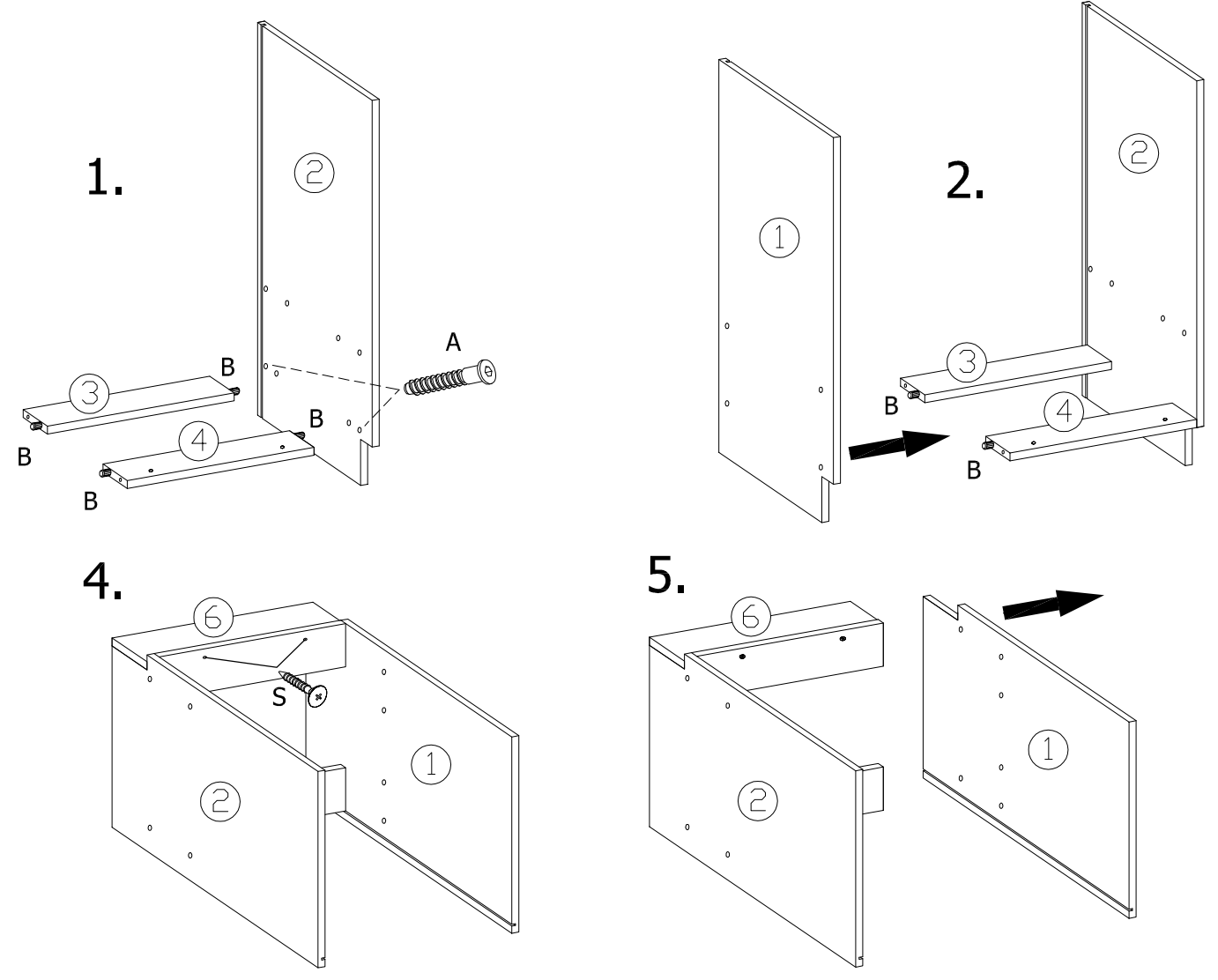
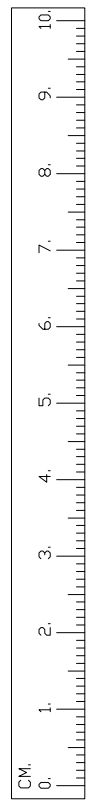
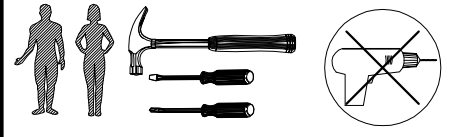
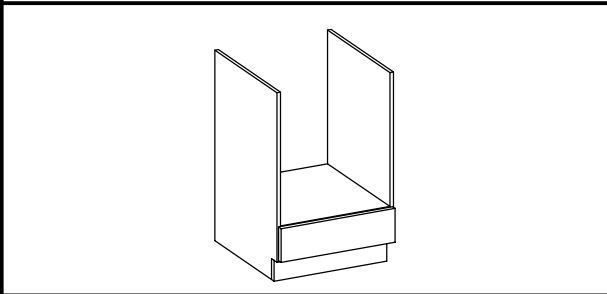
LEVELING

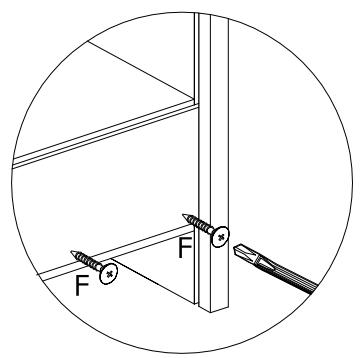
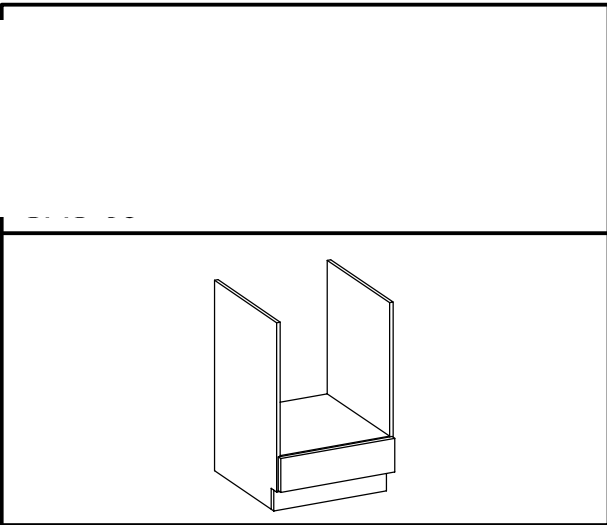


 A	 B	 C	 D	 E	 F	 G	 H	 I	 J	 K	 L
8	26	1	4	8	15-20	24	4	24	4	1	4
 S	 T										
2	2										



								
A	B	C	D	F	H	J	S	T
8	8	1	8	10-15	2	4	2	2





6.

