

**I**

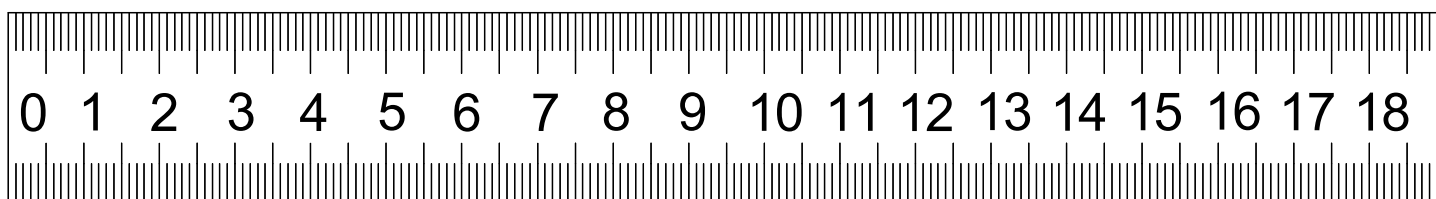
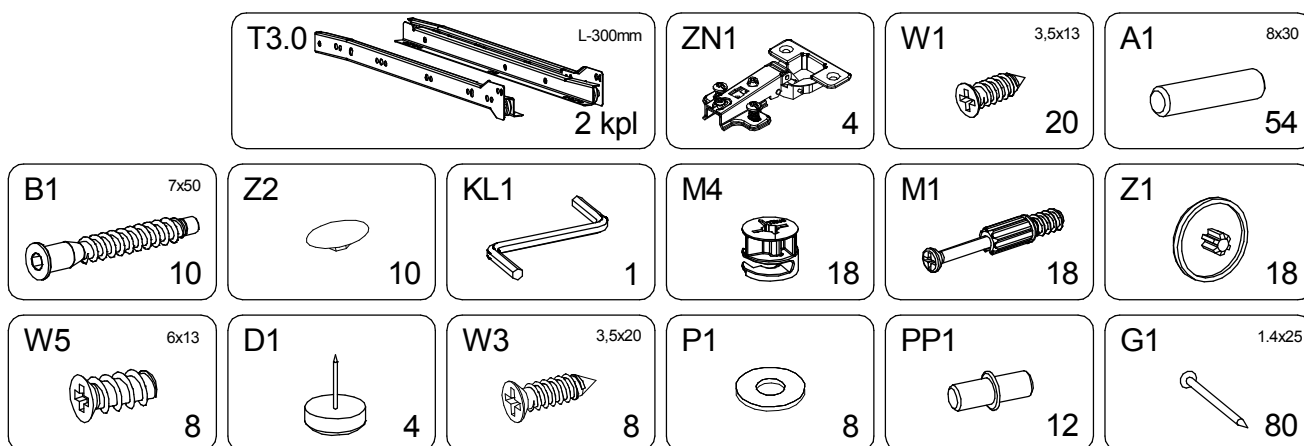
4L	1780x335x16mm	1
4R	1780x335x16mm	1
5	1683x333x16mm	1
13	1708x397x3mm	2

**II**

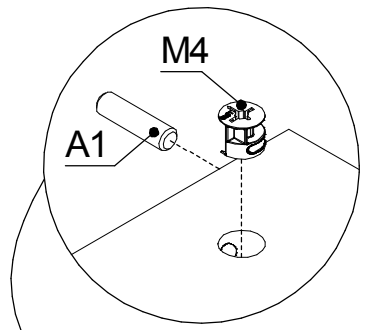
1	768x334x16mm	1
2	804x358x16mm	1
6	376x64x16mm	3
7	768x80x16mm	1
8	375x328x16mm	3
9L	376x332x16mm	1
9P	376x332x16mm	1
11L	320x100x16mm	2
11P	320x100x16mm	2
12	318x99x16mm	2
14	348x325x3mm	2
		1

**III**

3	1670x396x16mm	1
10	396x200x16mm	2



▶ 1



T3.0\_1 R L-300mm 2 kpl

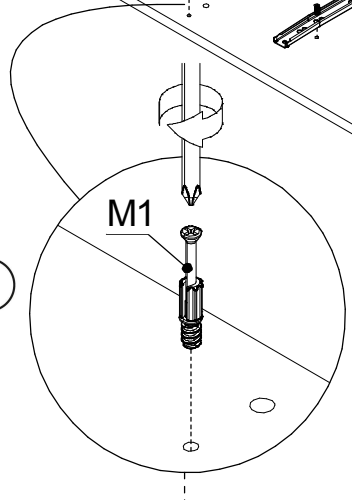
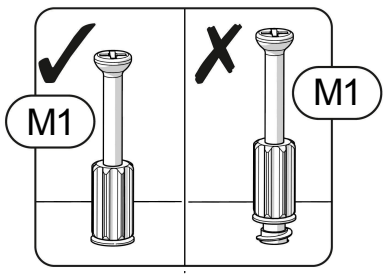
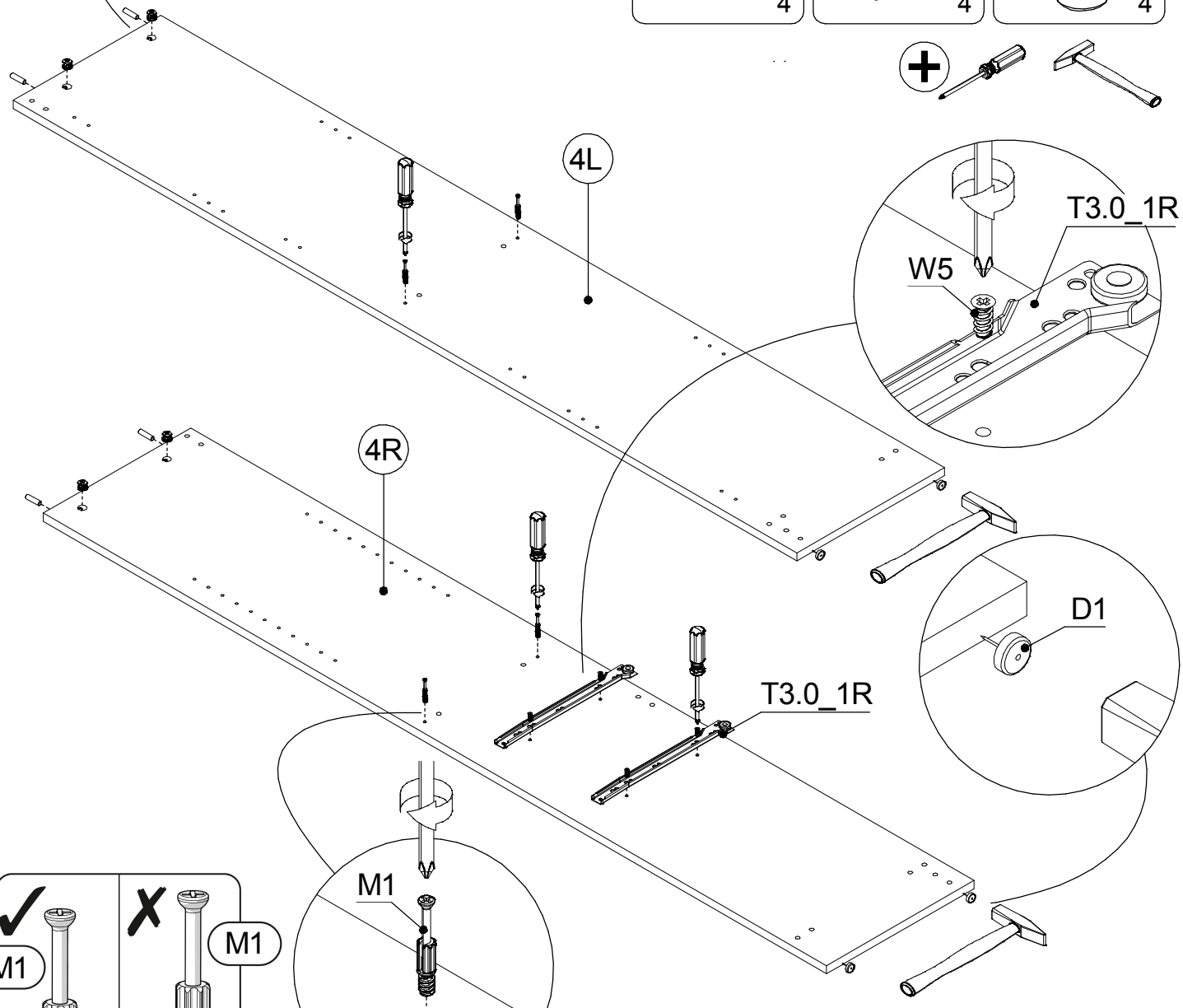
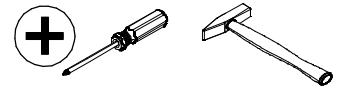
M4 4

M1 4

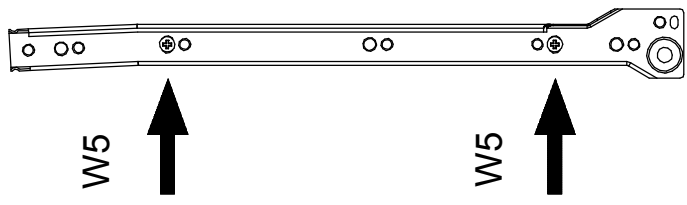
A1 8x30 4

W5 6x13 4

D1 4

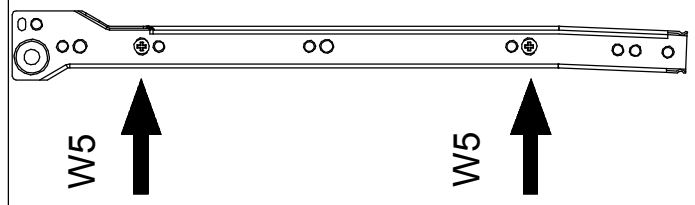


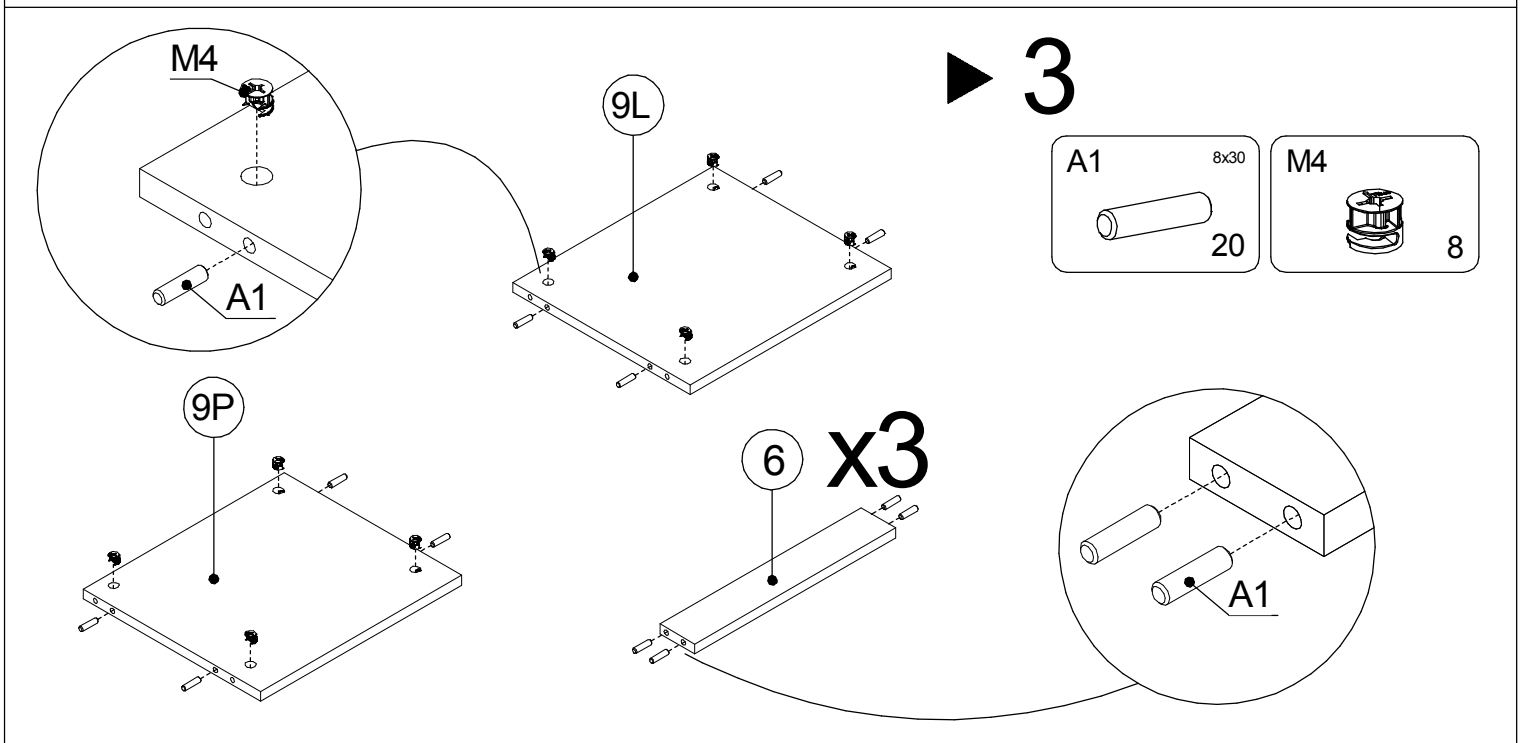
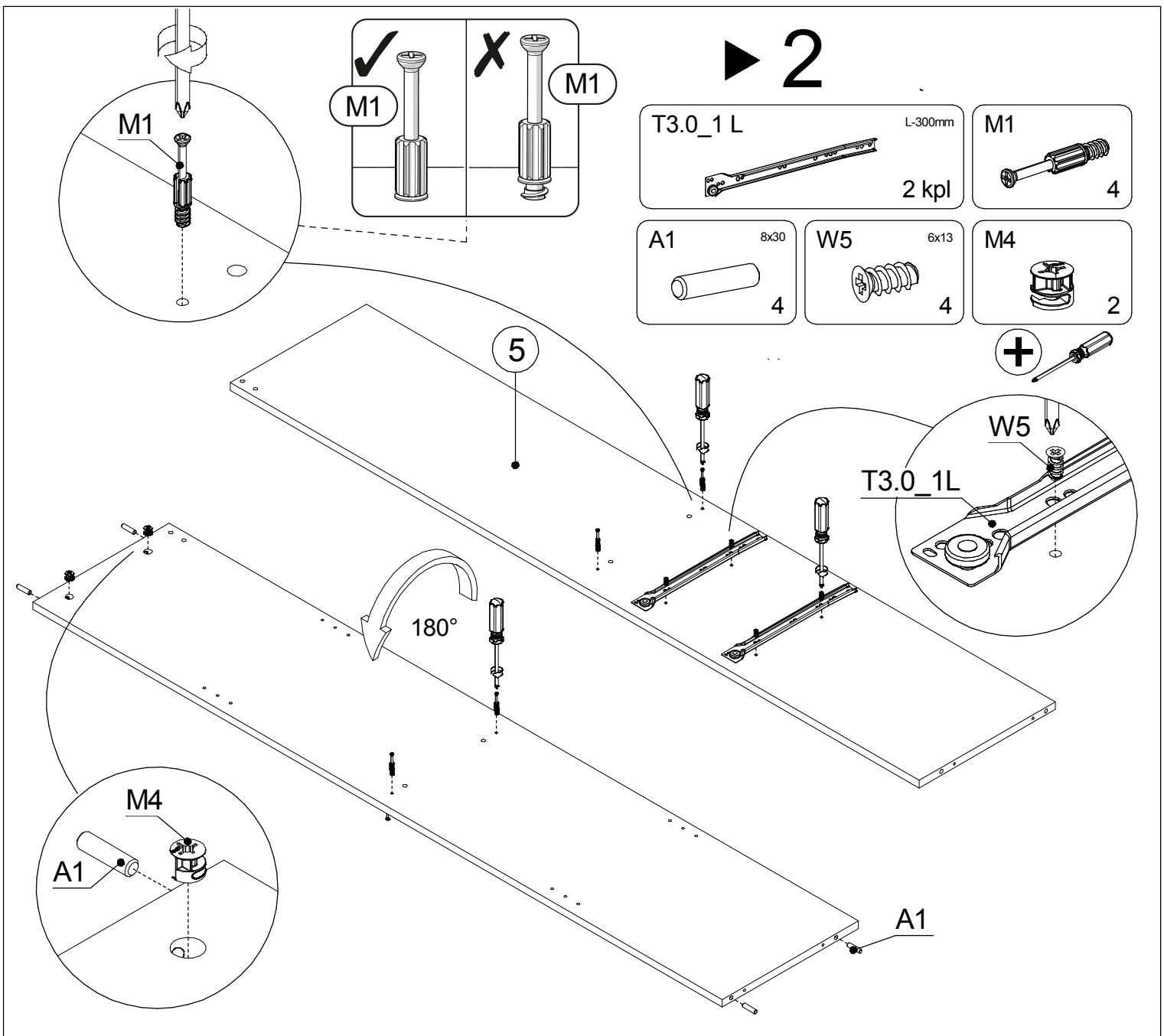
T3.0\_1 R



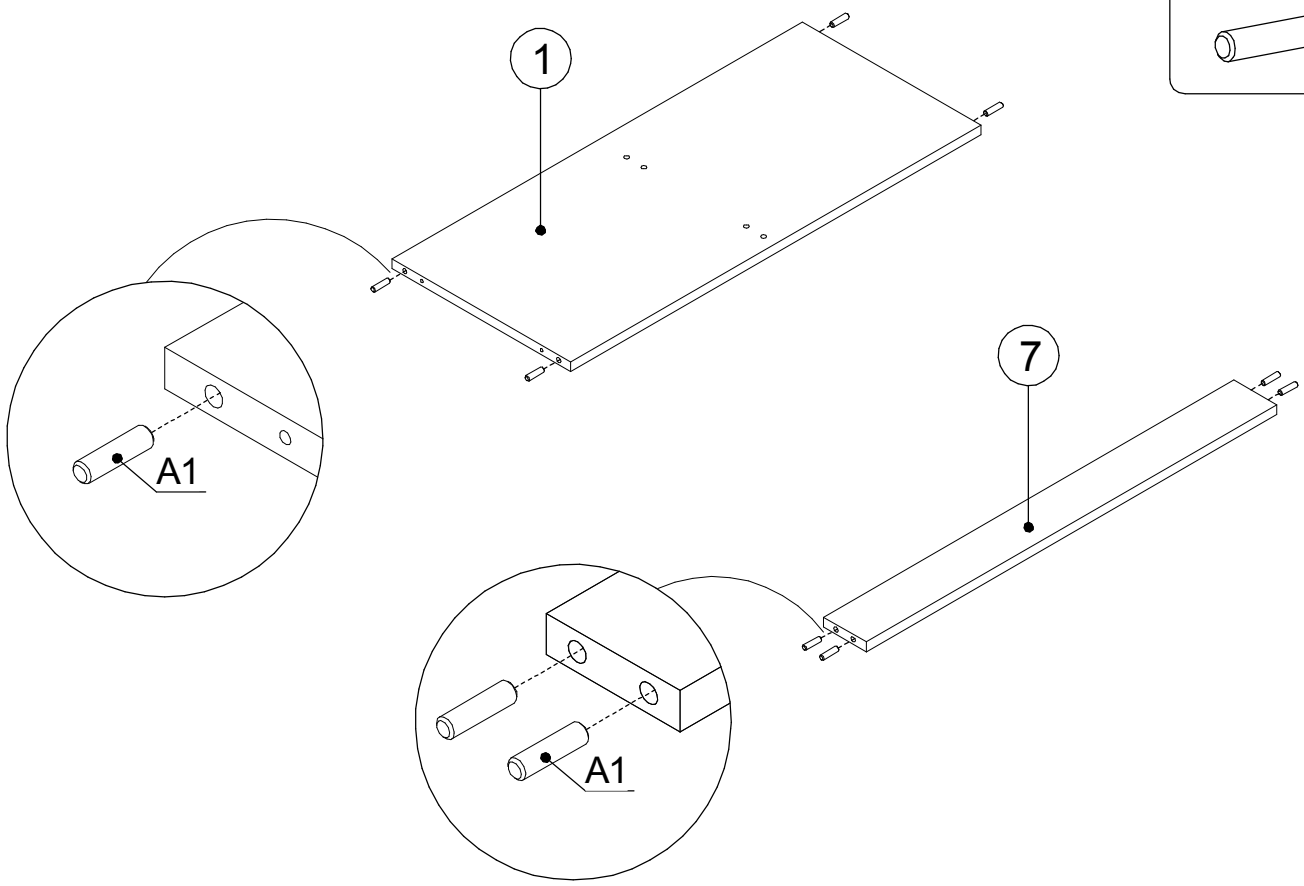
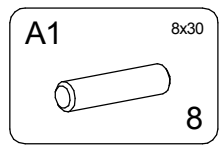
FRONT

T3.0\_1 L

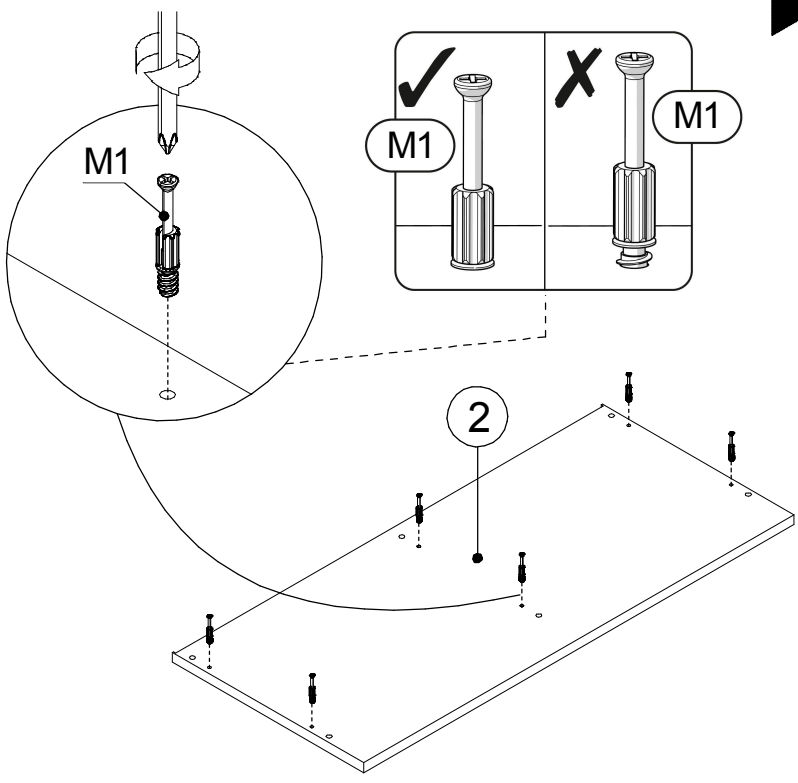
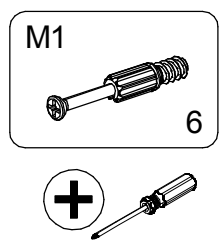




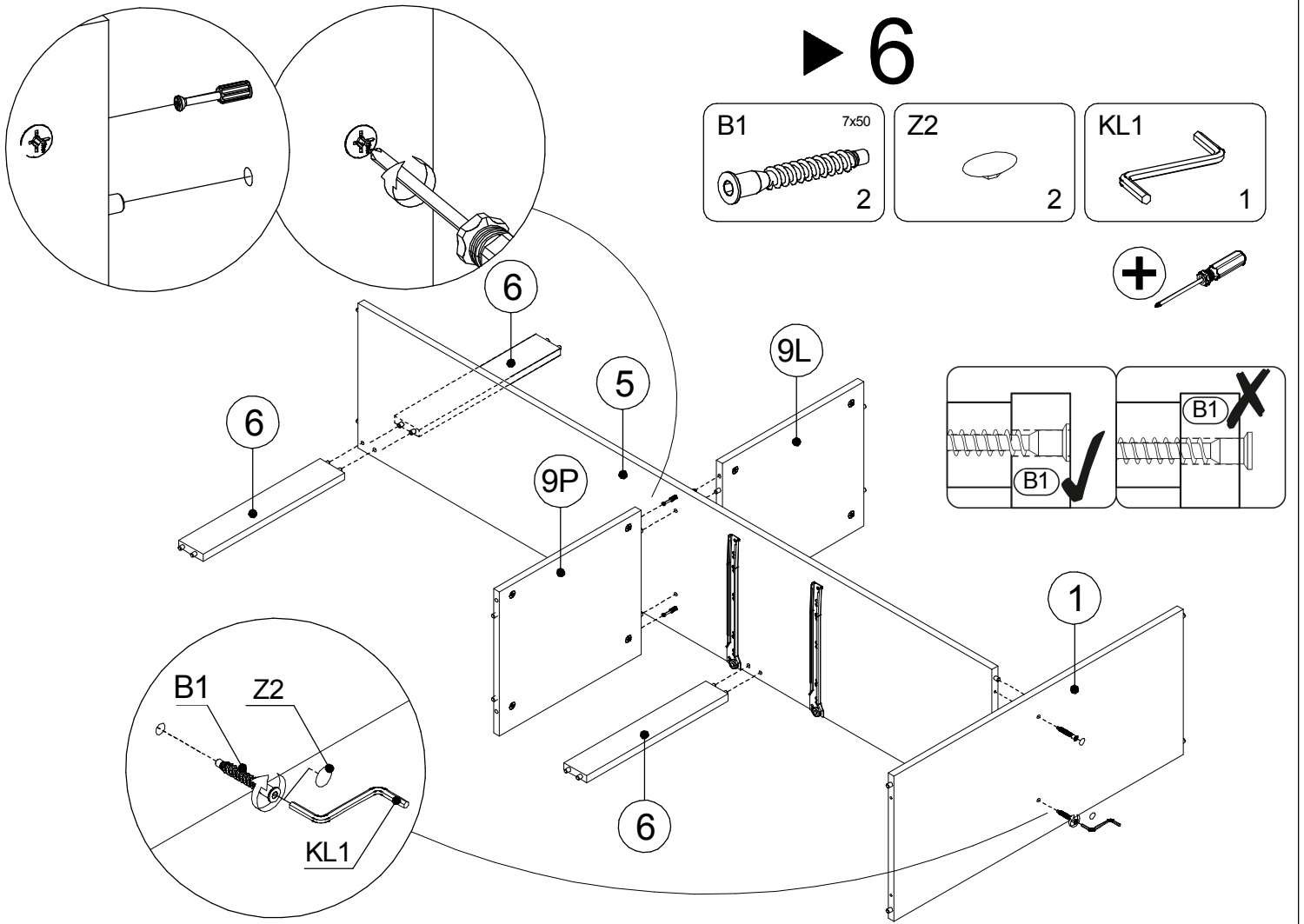
▶ 4



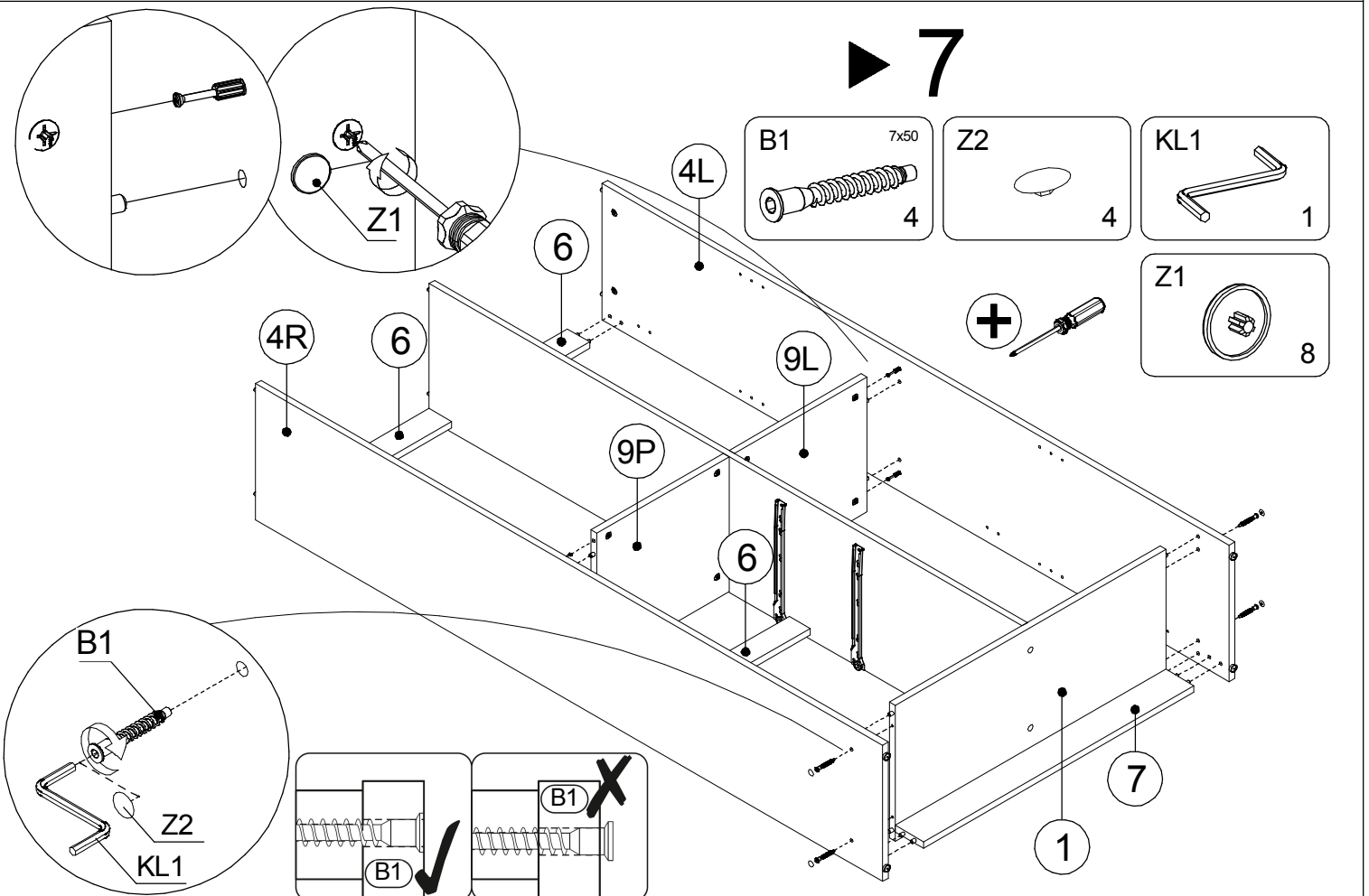
▶ 5

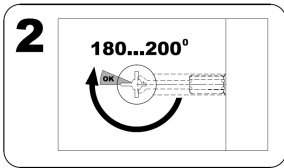
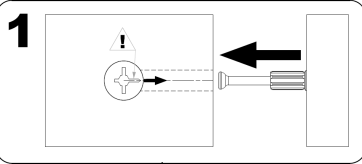


# ▶ 6

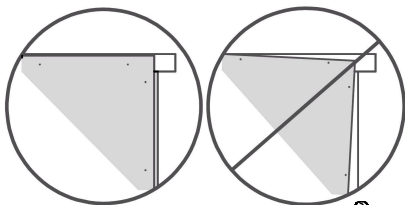
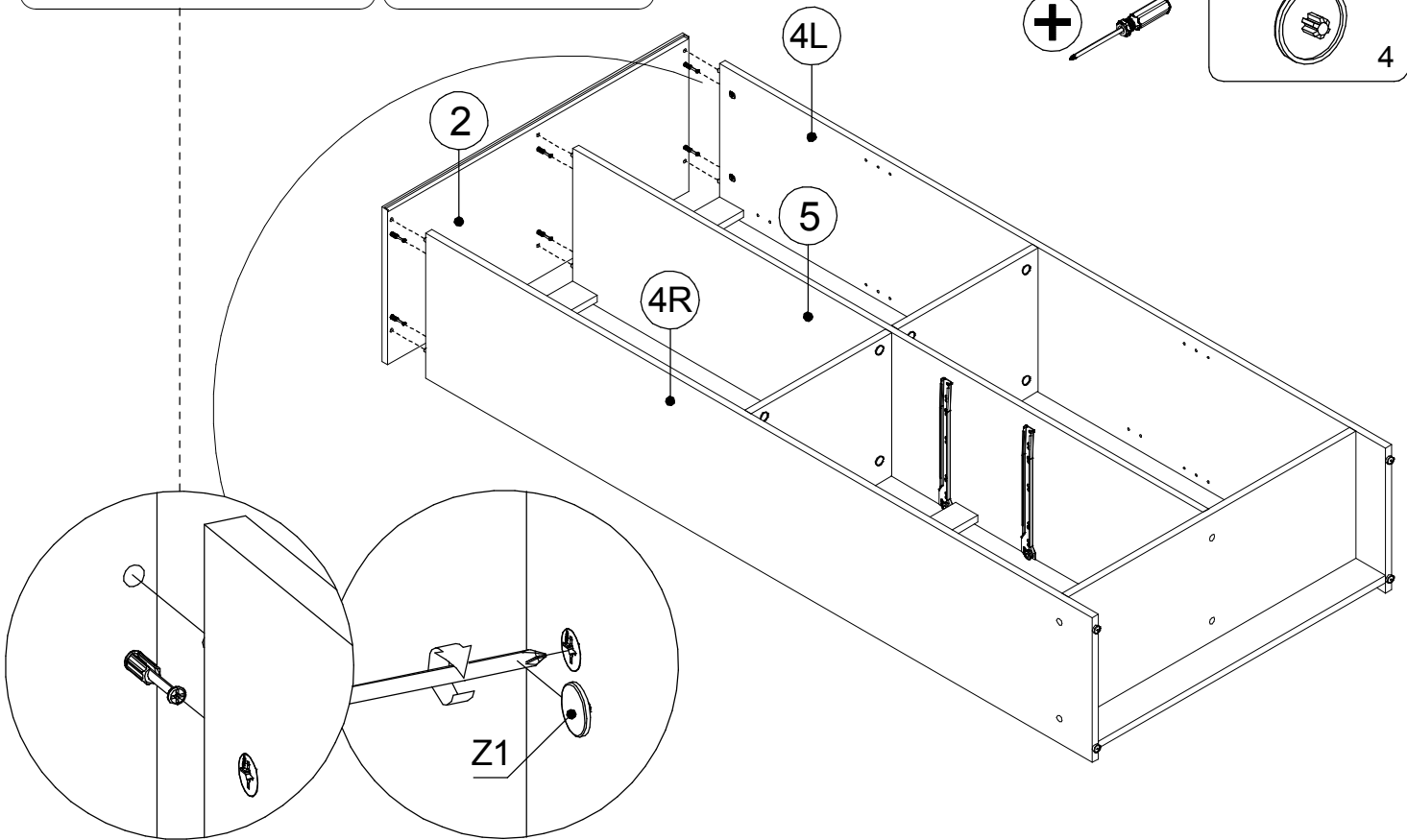
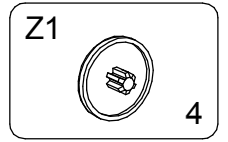


# ▶ 7

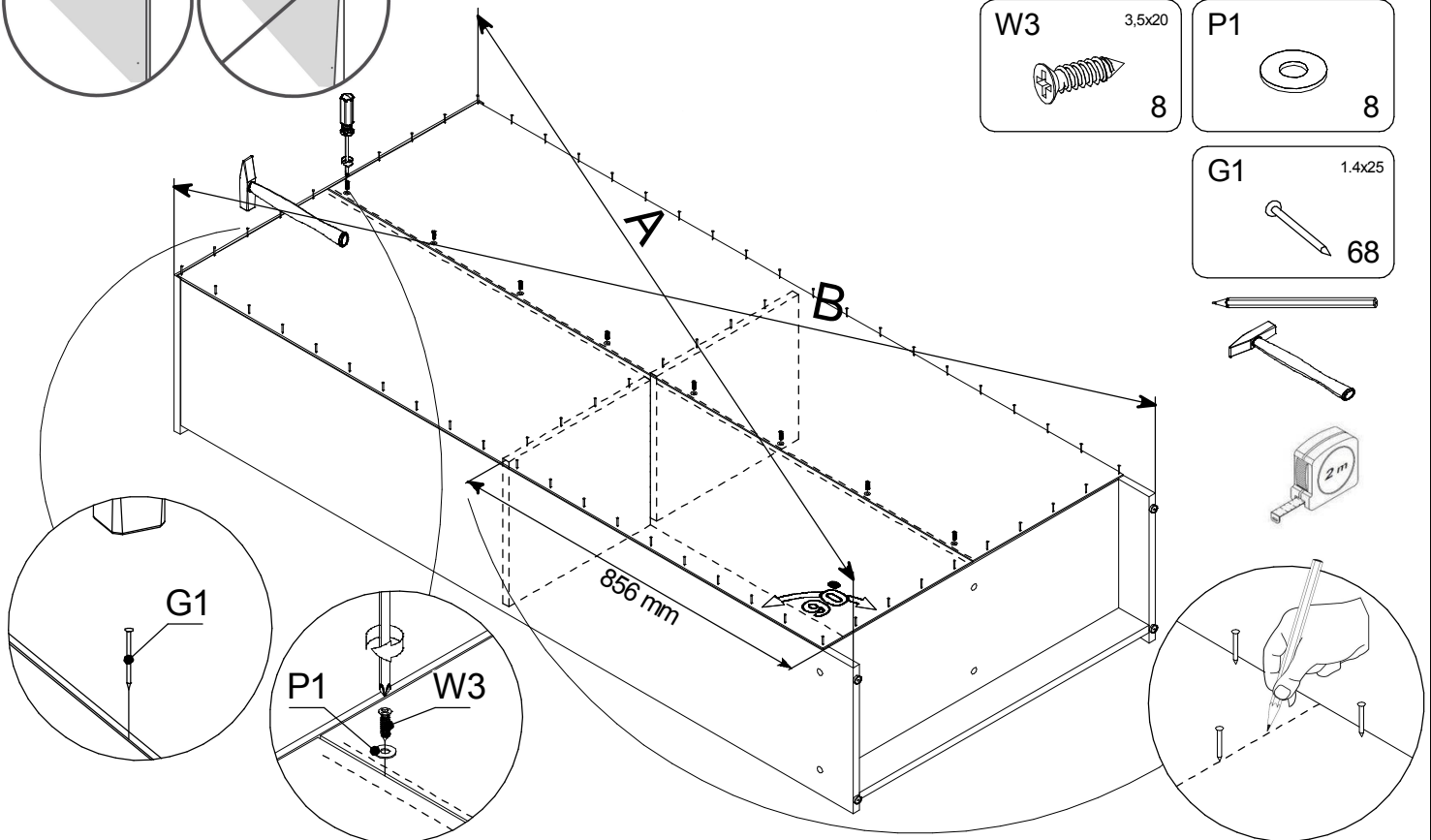
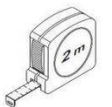
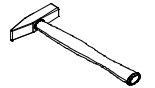
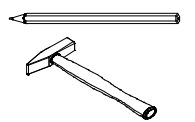
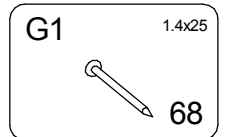
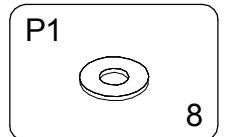
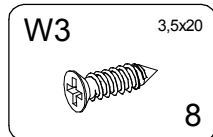




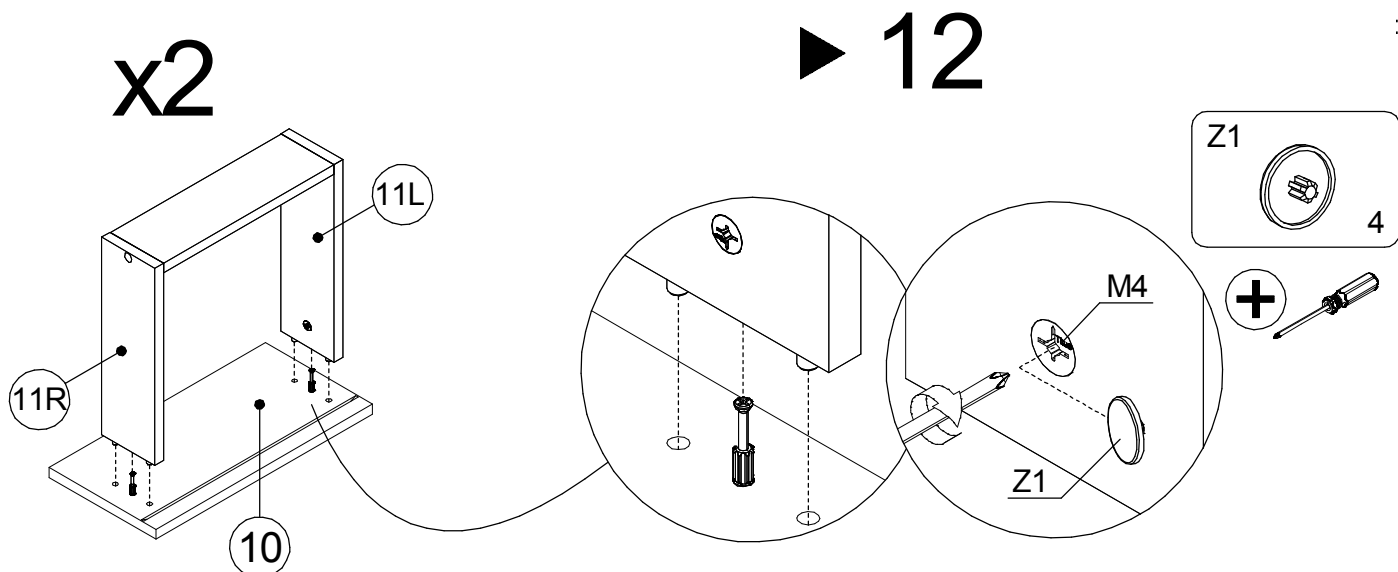
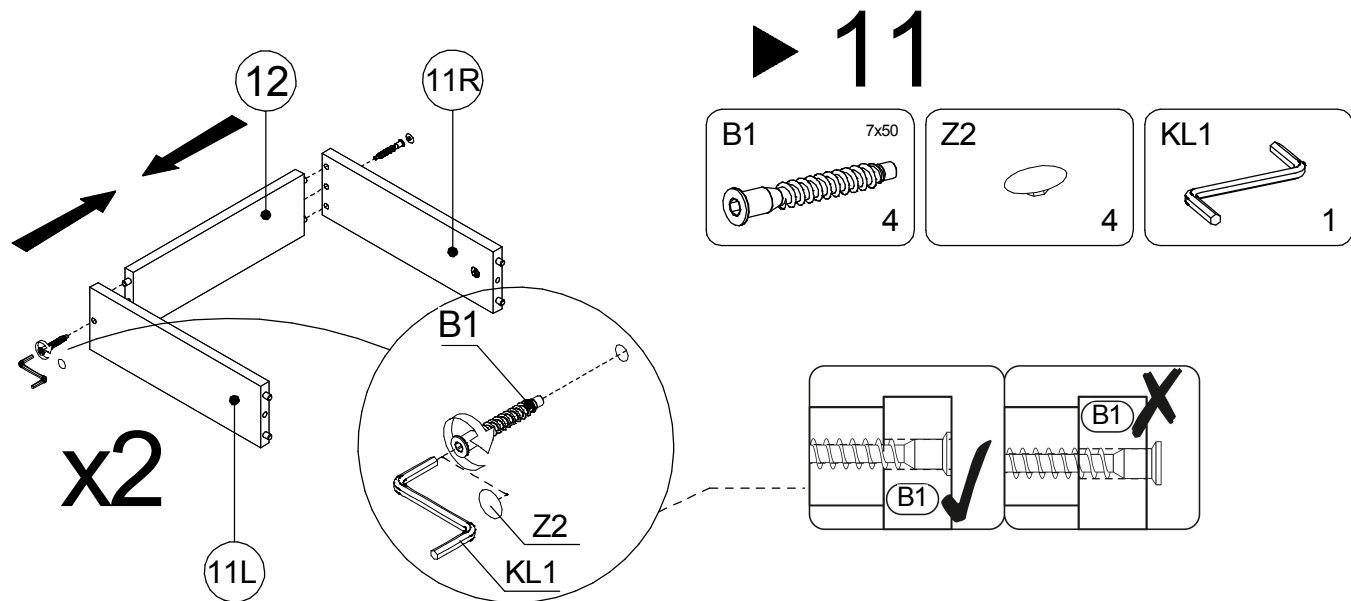
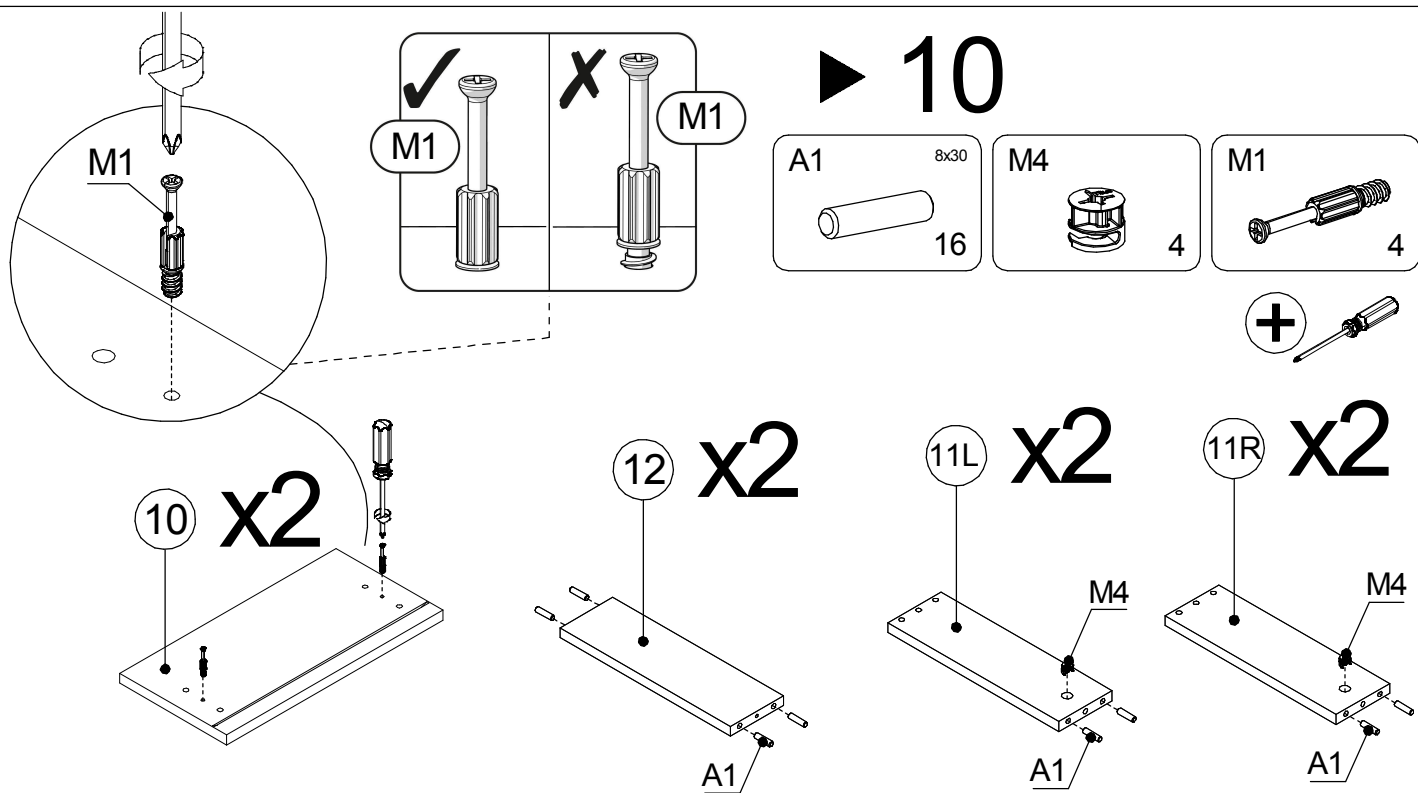
▶ **8**



▶ **9**

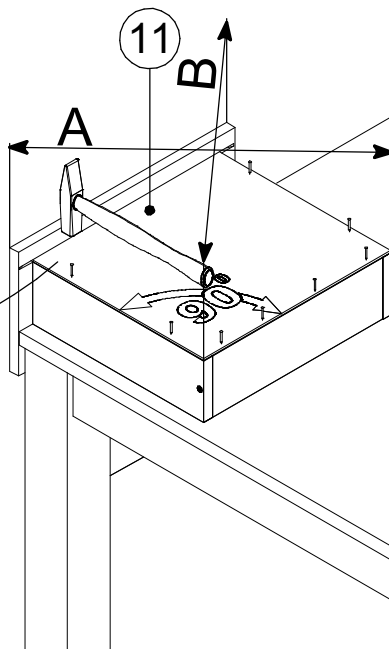
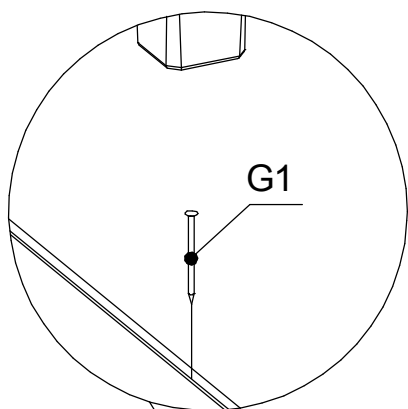
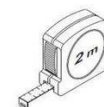
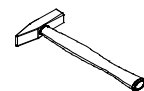






# ! ▶ 13

G1 1.4x25  
12

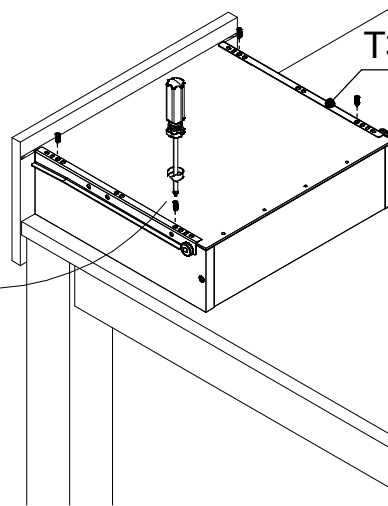
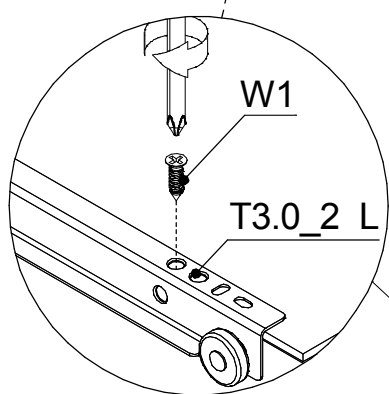
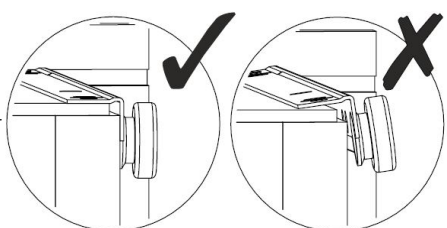


x2

# ▶ 14

W3 3,5x13  
8

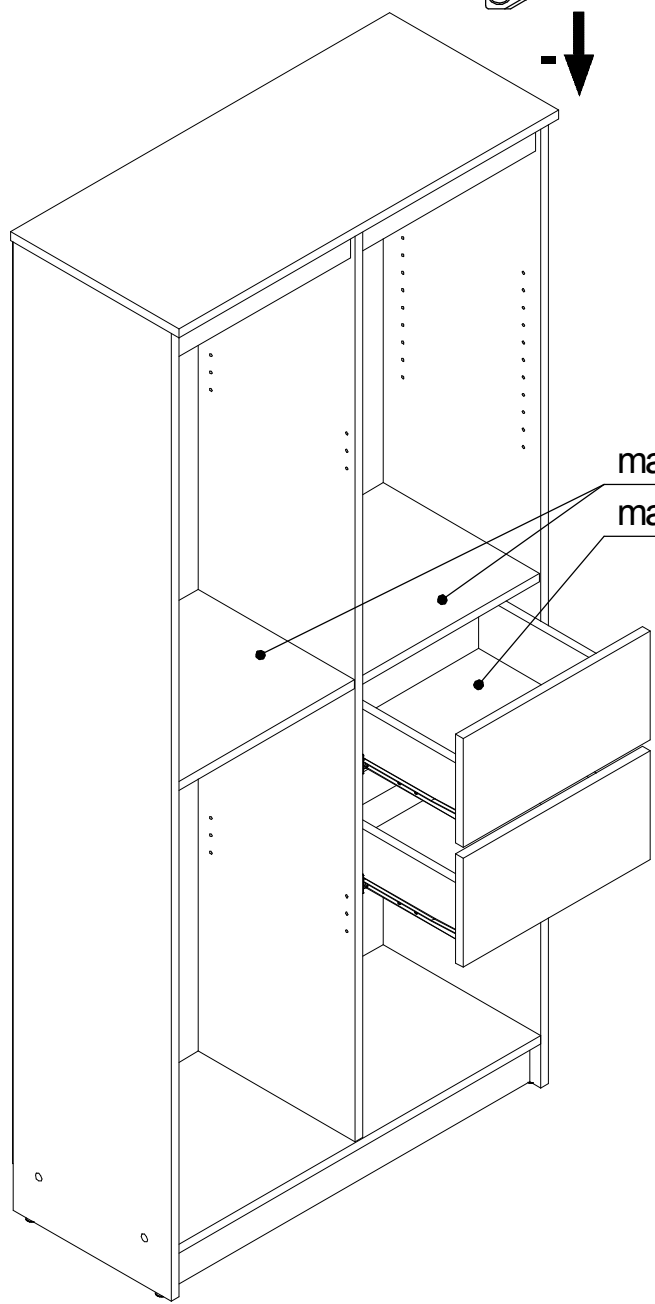
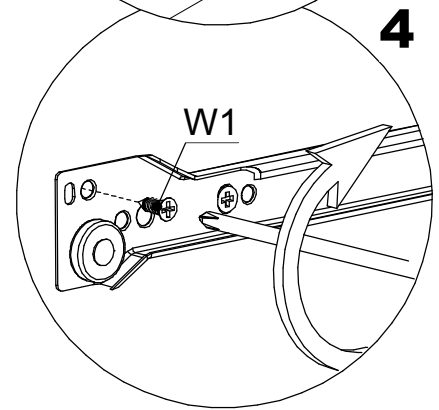
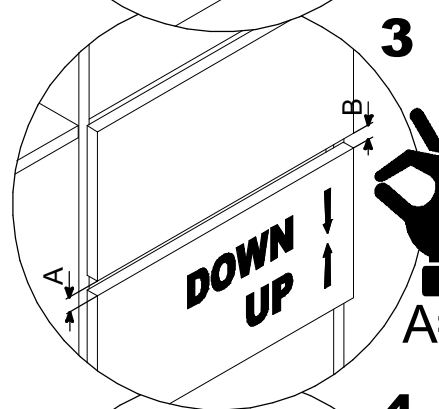
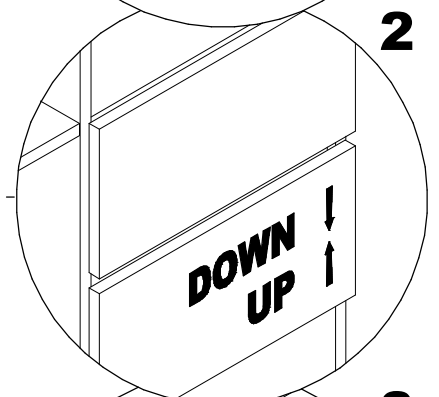
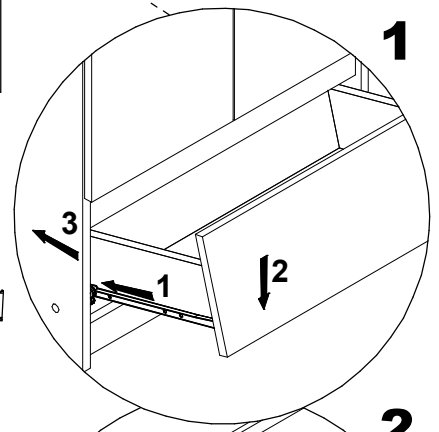
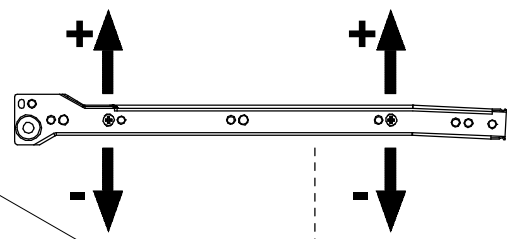
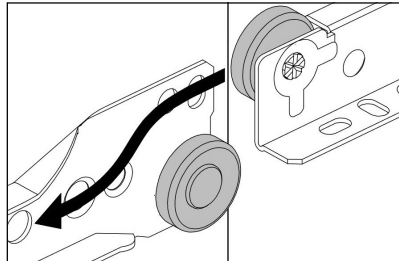
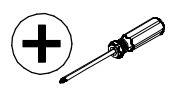
T3.0\_2 L/P  
L-300mm 2kpl



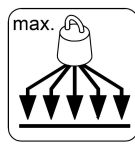
x2

# ▶ 15

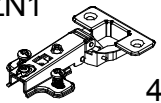
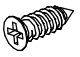
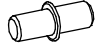
W1 3,5x13  
4



max. 5kg  
max. 3kg



# ▶ 16

ZN1  4	W1 3,5x13  8	PP1  12
--	---	--

