

(A1) x32	8x35	(C2) x4	6x13	(M) x1
(G4) x80		(O2) x4		(N1) x6
(T3) x1 L=300		(D2) x12	5x11	(KF) x6
(F1) x10		(E1) x10	7 x 50	(GM) x10

(M) x1

(C2) x4

(A1) x32

8x35

(G4) x80

(T3) x1 L=300

(F1) x10

(N1) x6

(O2) x4

(D2) x12

(E1) x10

(M) x1

6x13

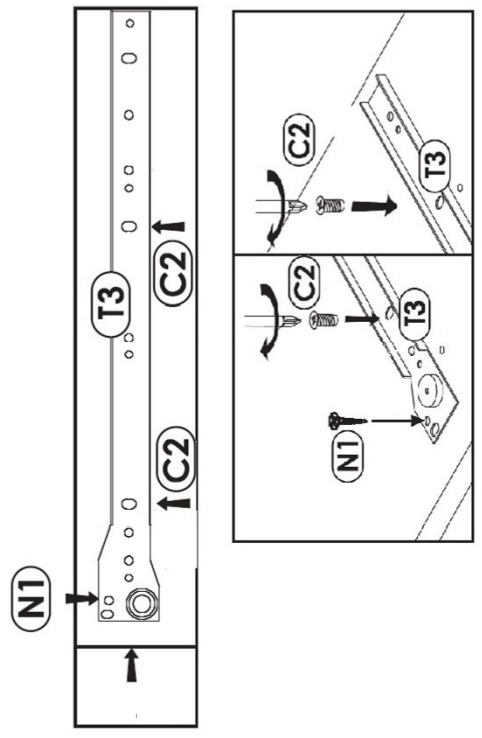
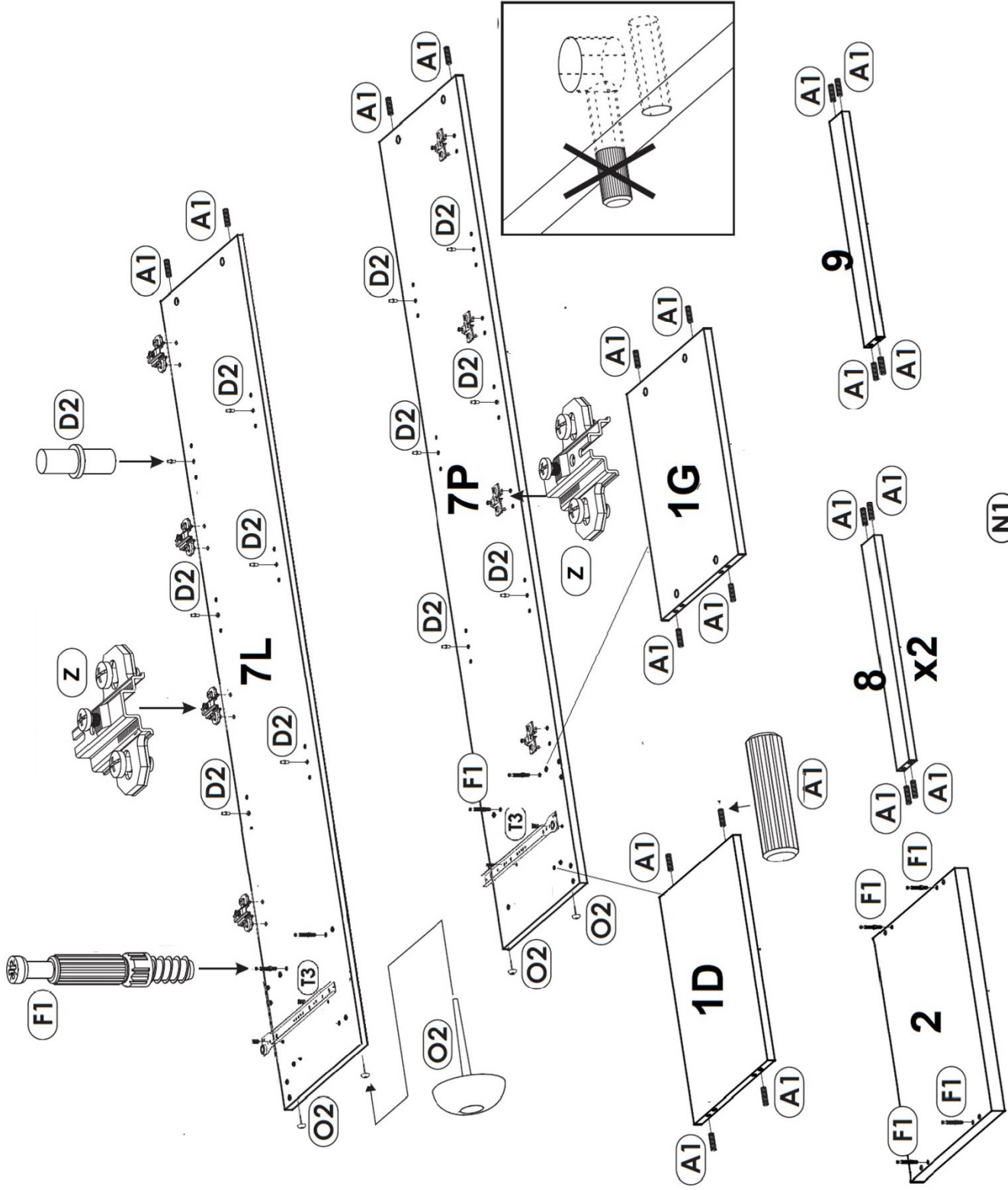
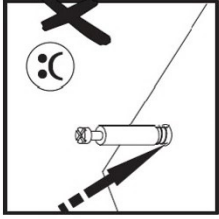
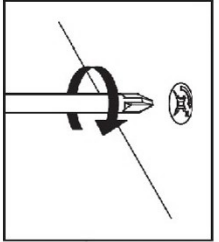
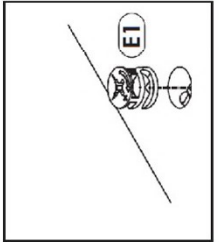
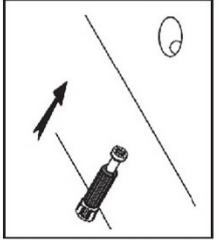
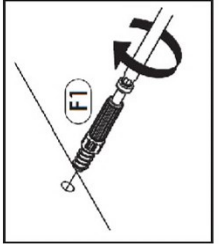
5x11

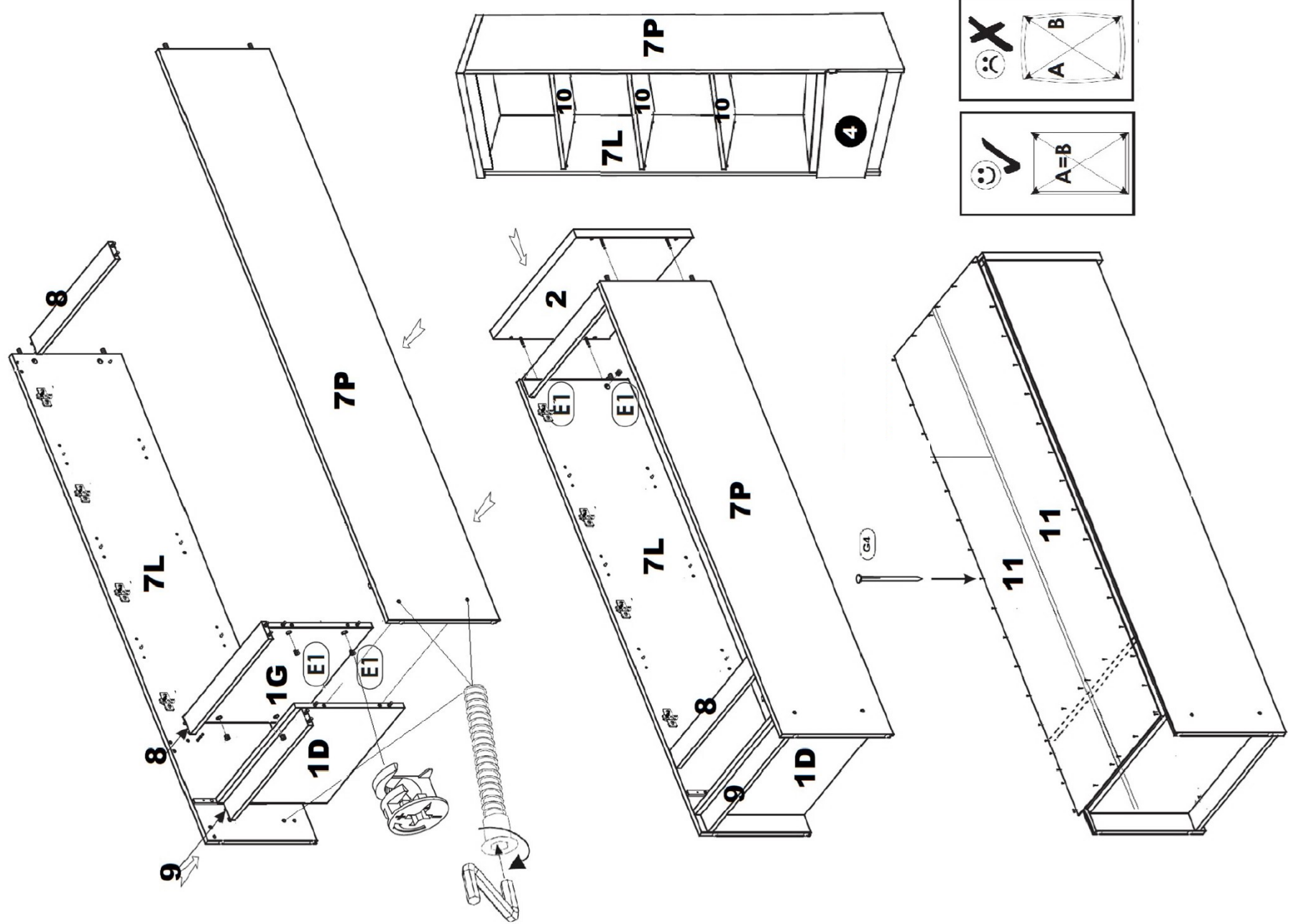
7 x 50

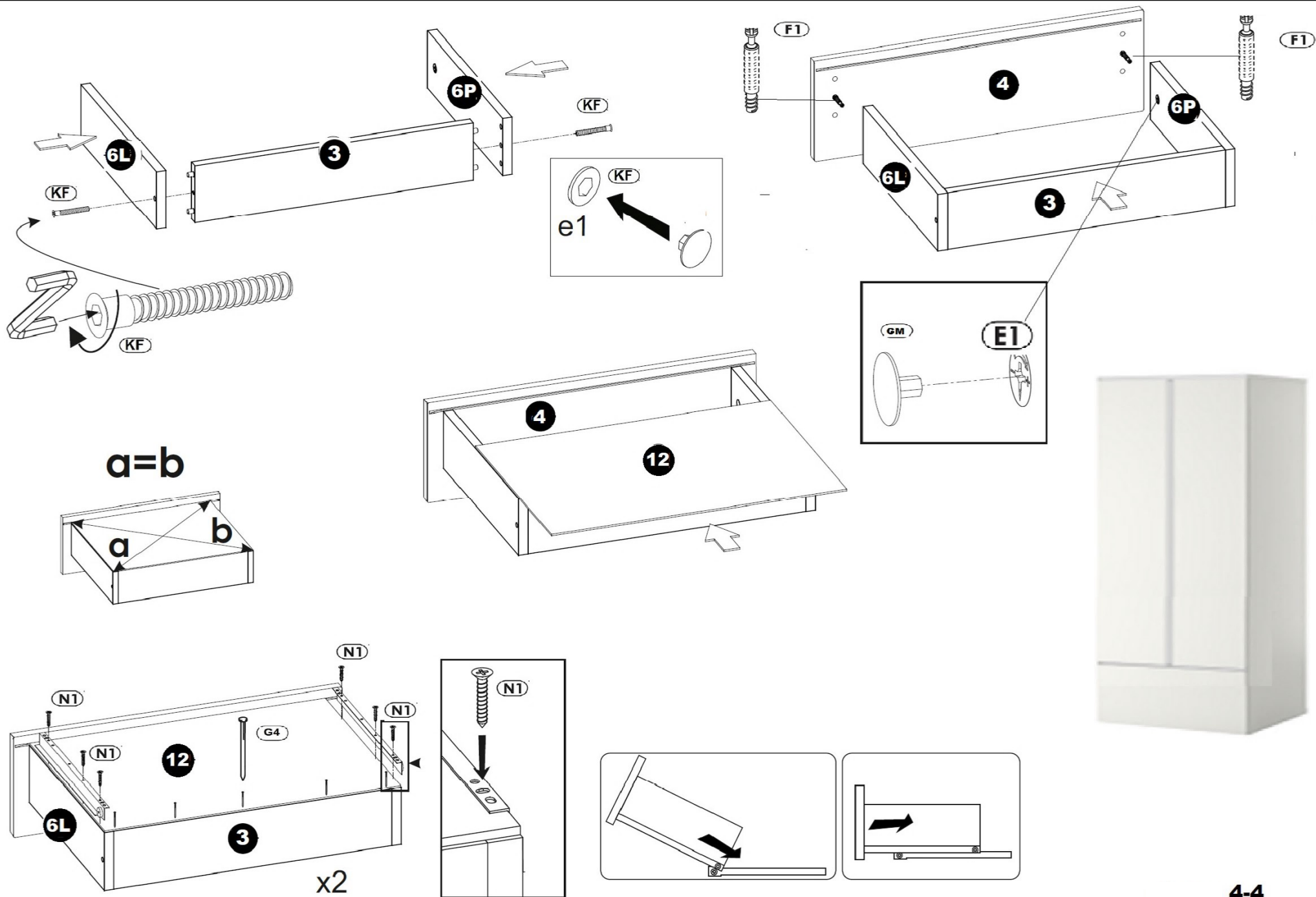
(GM) x10

3,5x16

1-5







Z x 8



N3 x16



6,3x13

N2 x16 3,5x13

