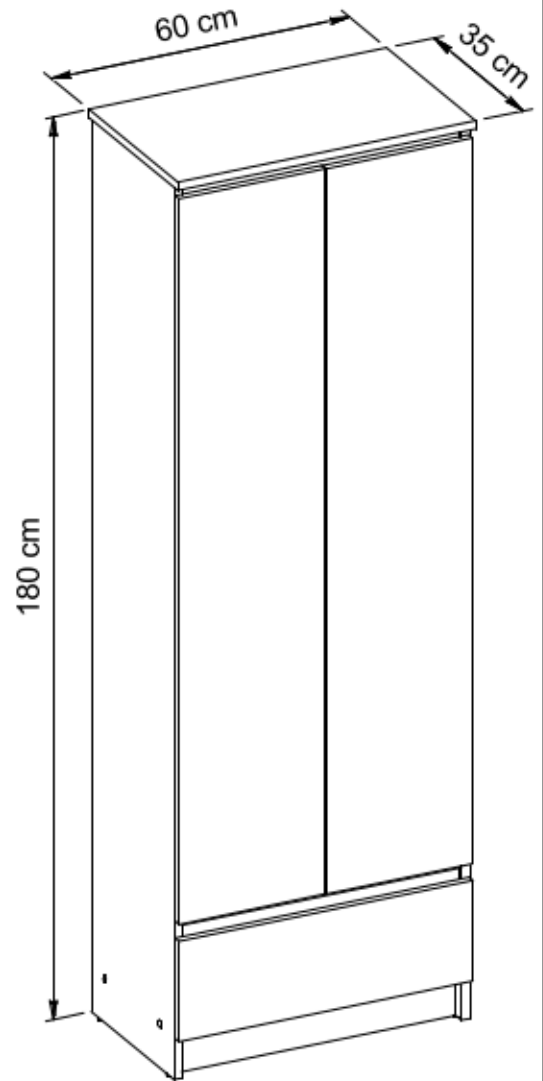
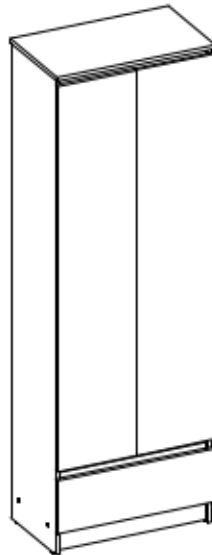
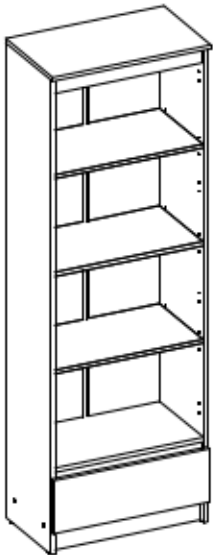
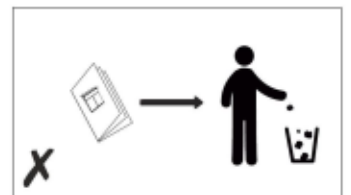
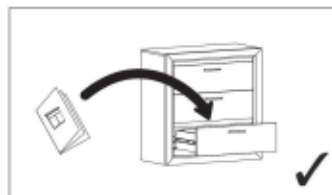
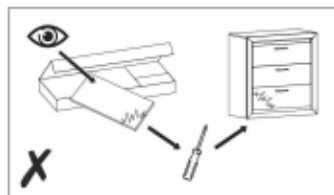
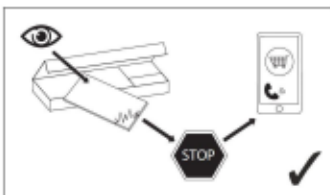
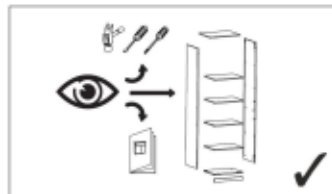
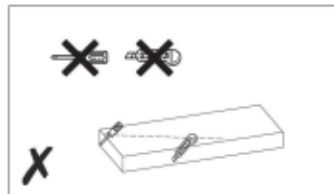
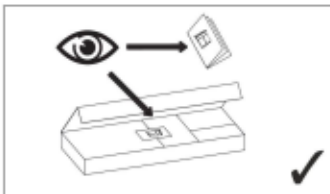
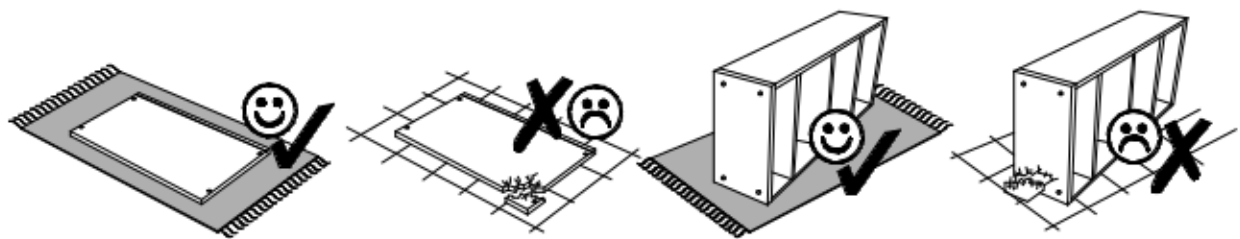
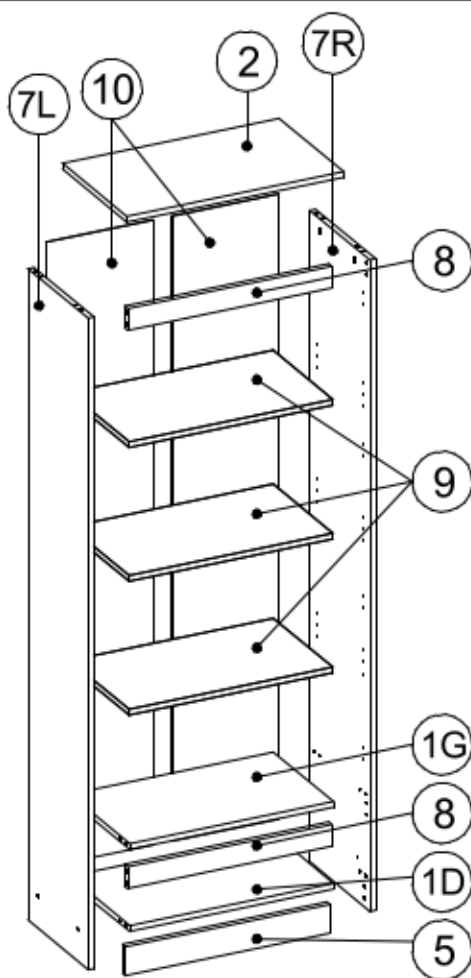




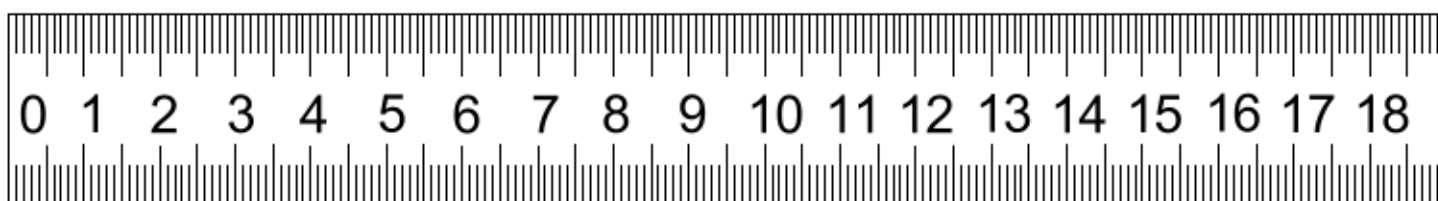
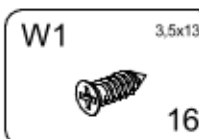
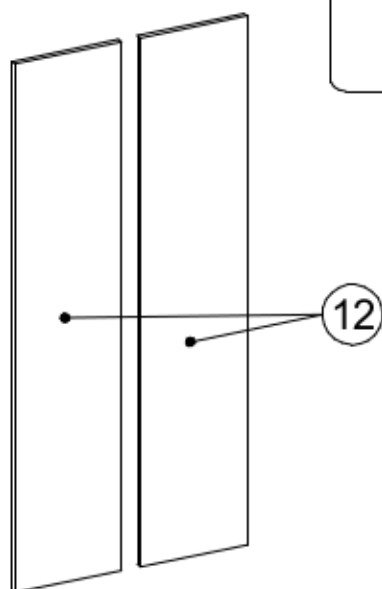
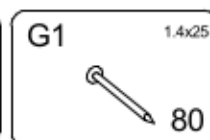
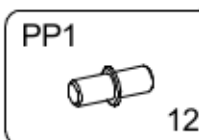
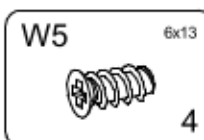
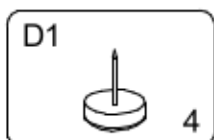
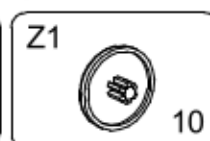
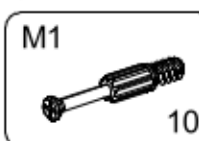
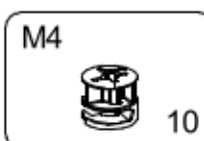
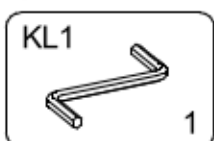
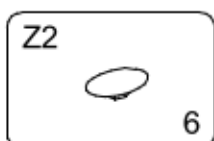
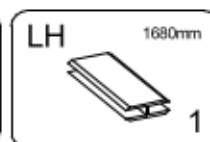
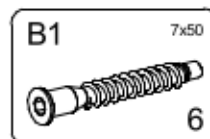
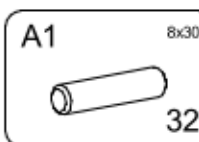
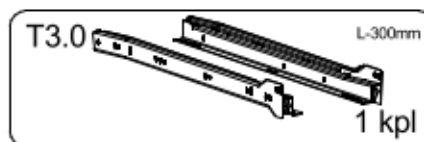
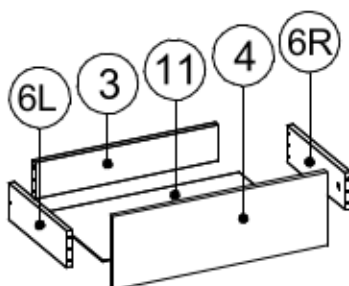
~120 min



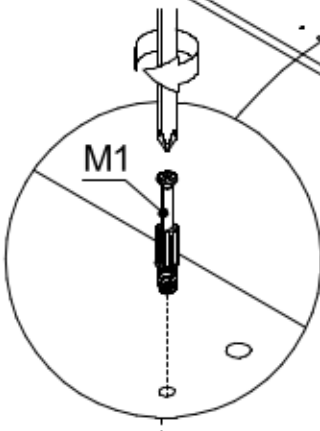
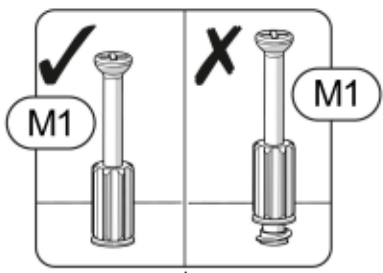
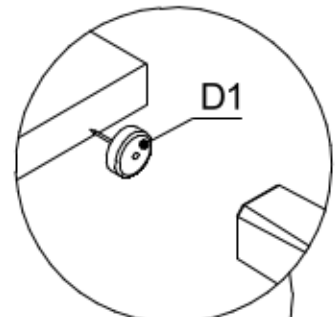
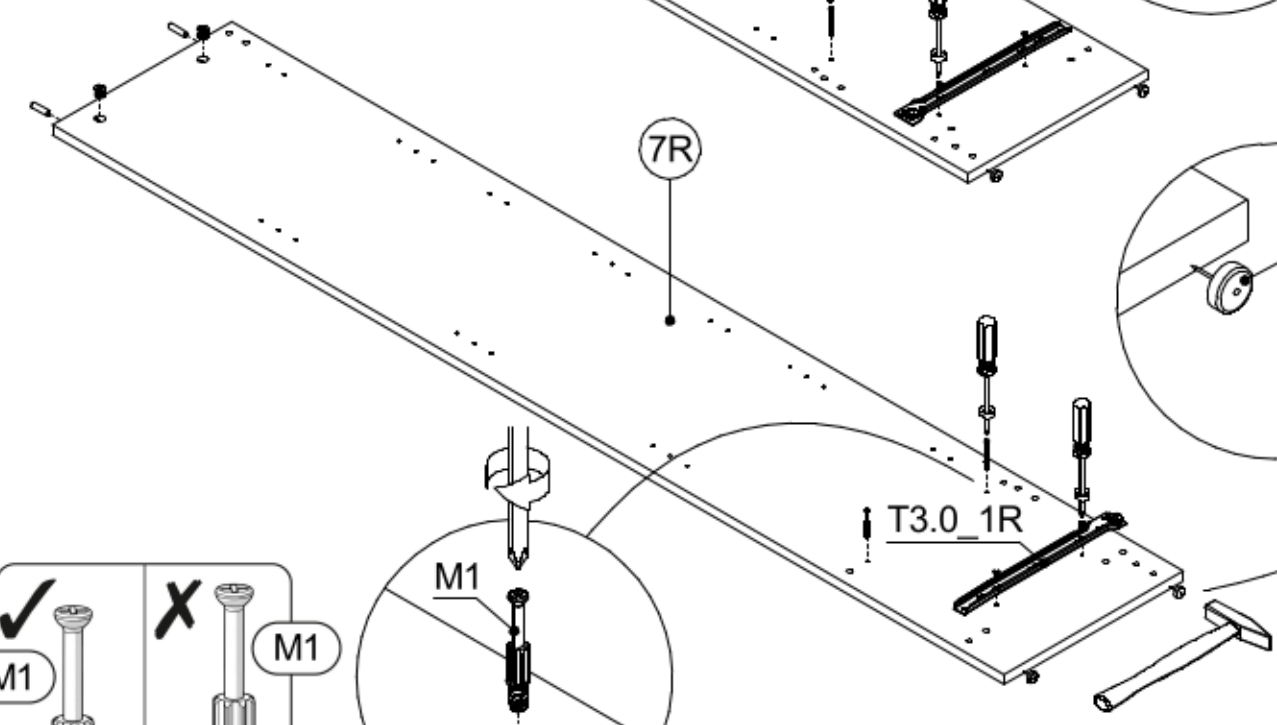
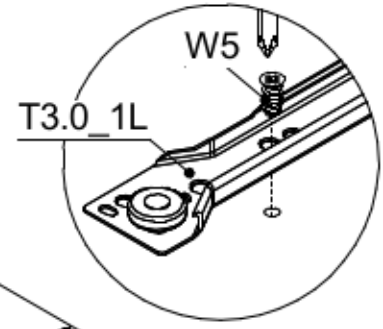
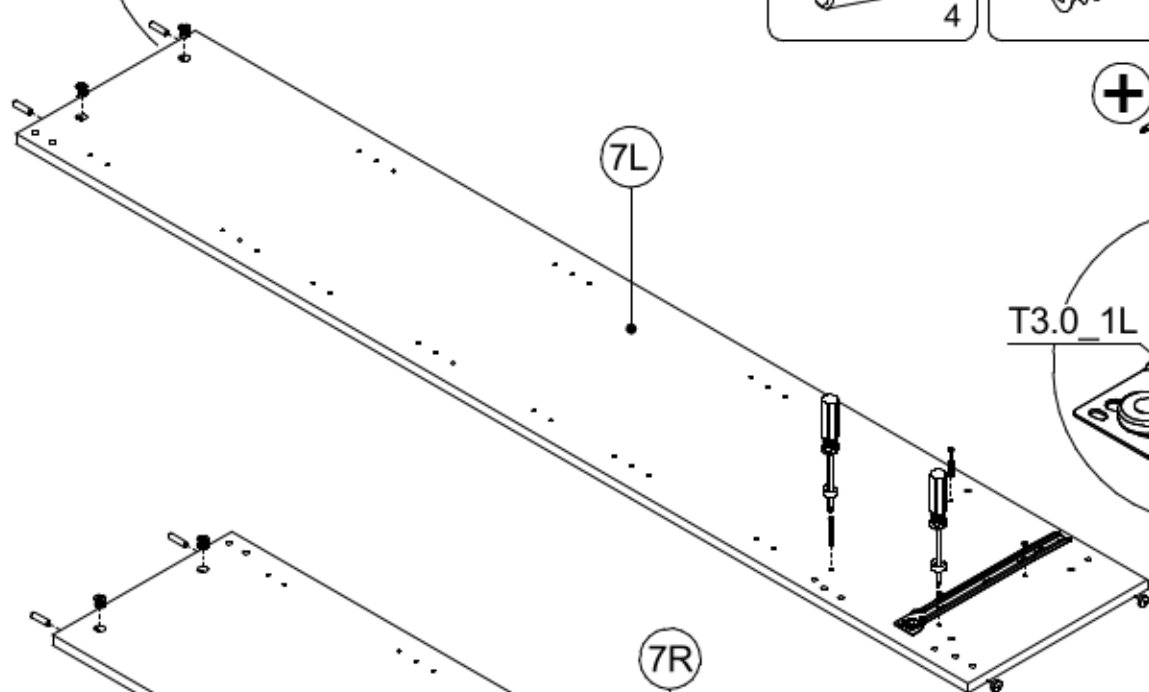
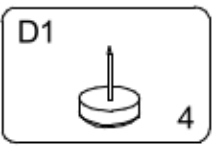
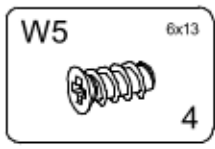
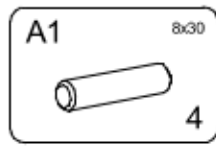
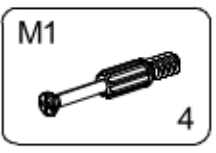
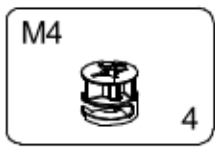
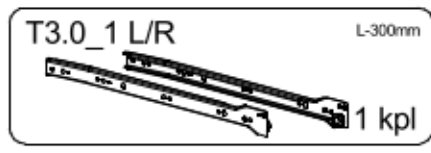
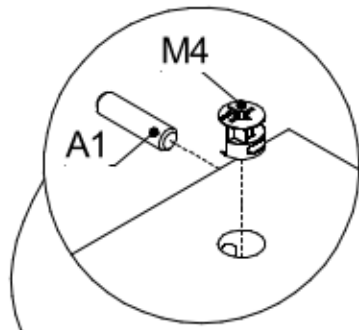




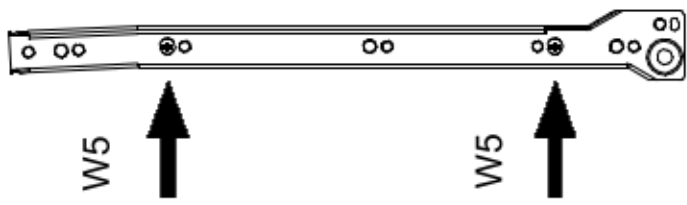
1G	568x334x16mm	1
1D	568x334x16mm	1
2	604x358x16mm	1
3	510x99x16mm	1
4	596x200x16mm	1
5	568x80x16mm	1
6L	320x100x16mm	1
6R	320x100x16mm	1
7L	1780x335x16mm	1
7R	1780x335x16mm	1
8	568x60x16mm	2
9	568x330x16mm	3
10	1708x297x3mm	2
11	540x325x3mm	1
12	1448x296x16mm	2



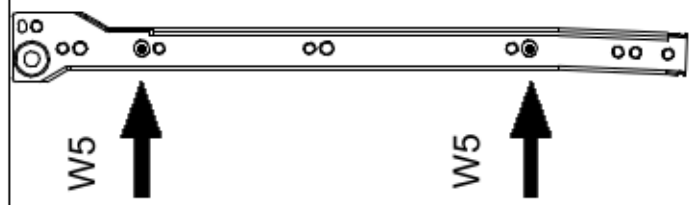
▶ 1



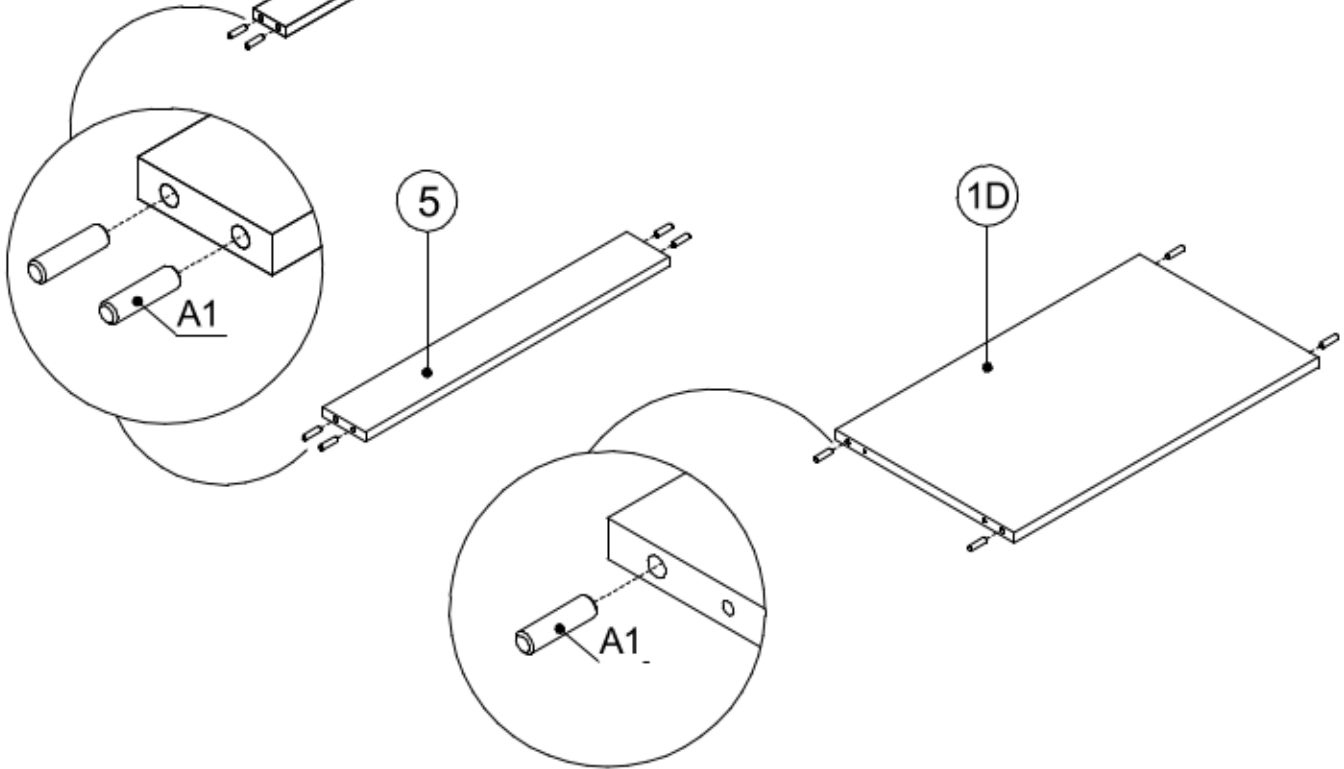
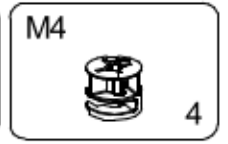
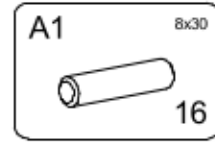
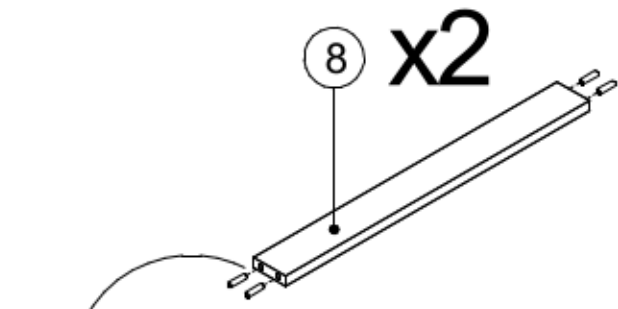
**T3.0\_1 R**



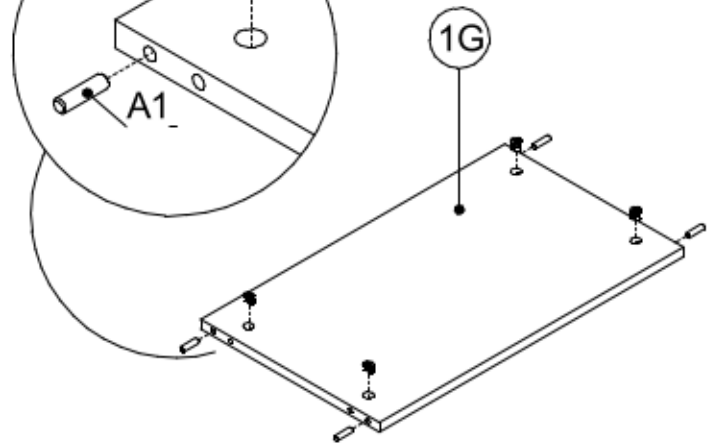
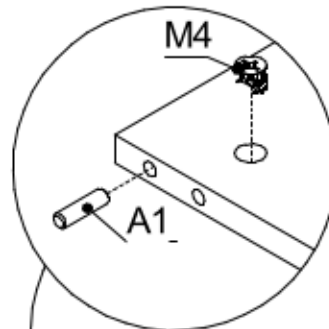
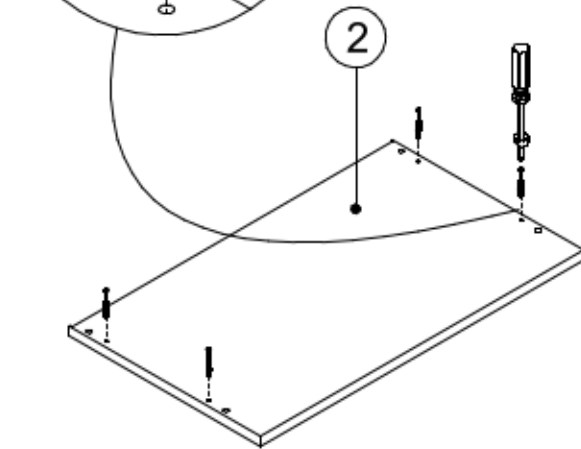
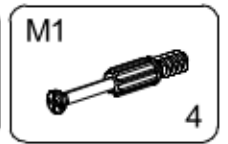
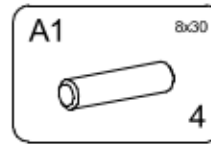
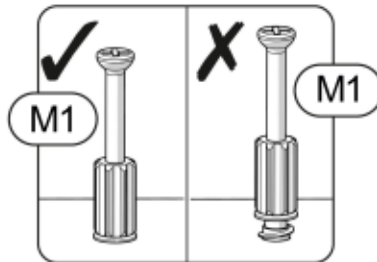
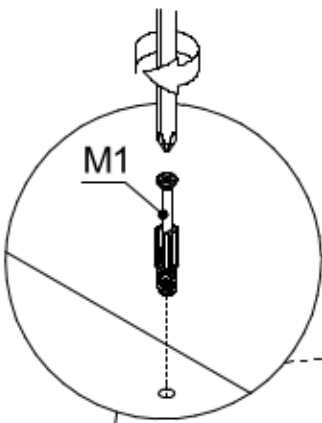
**T3.0\_1 L**



▶ 2

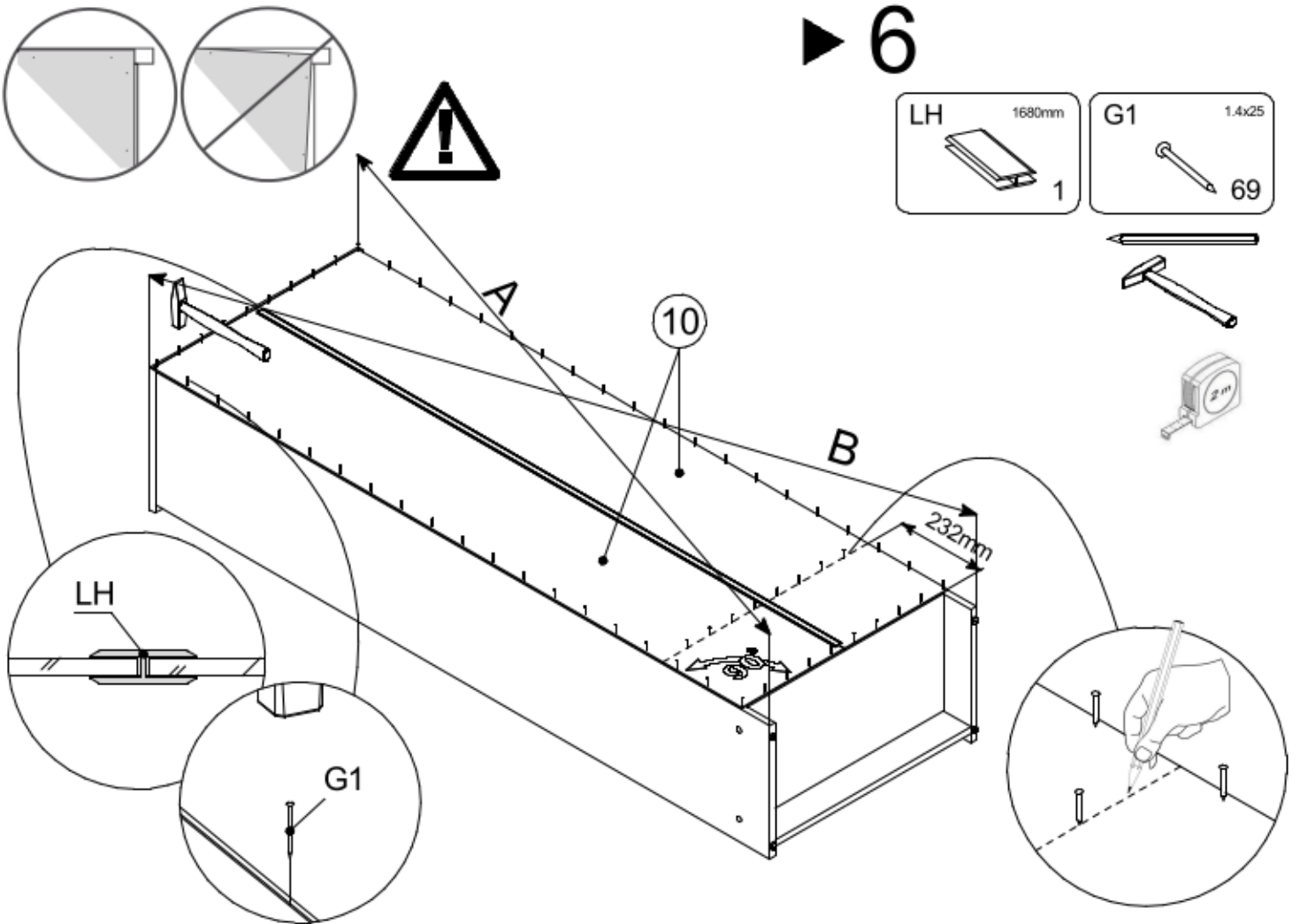


▶ 3

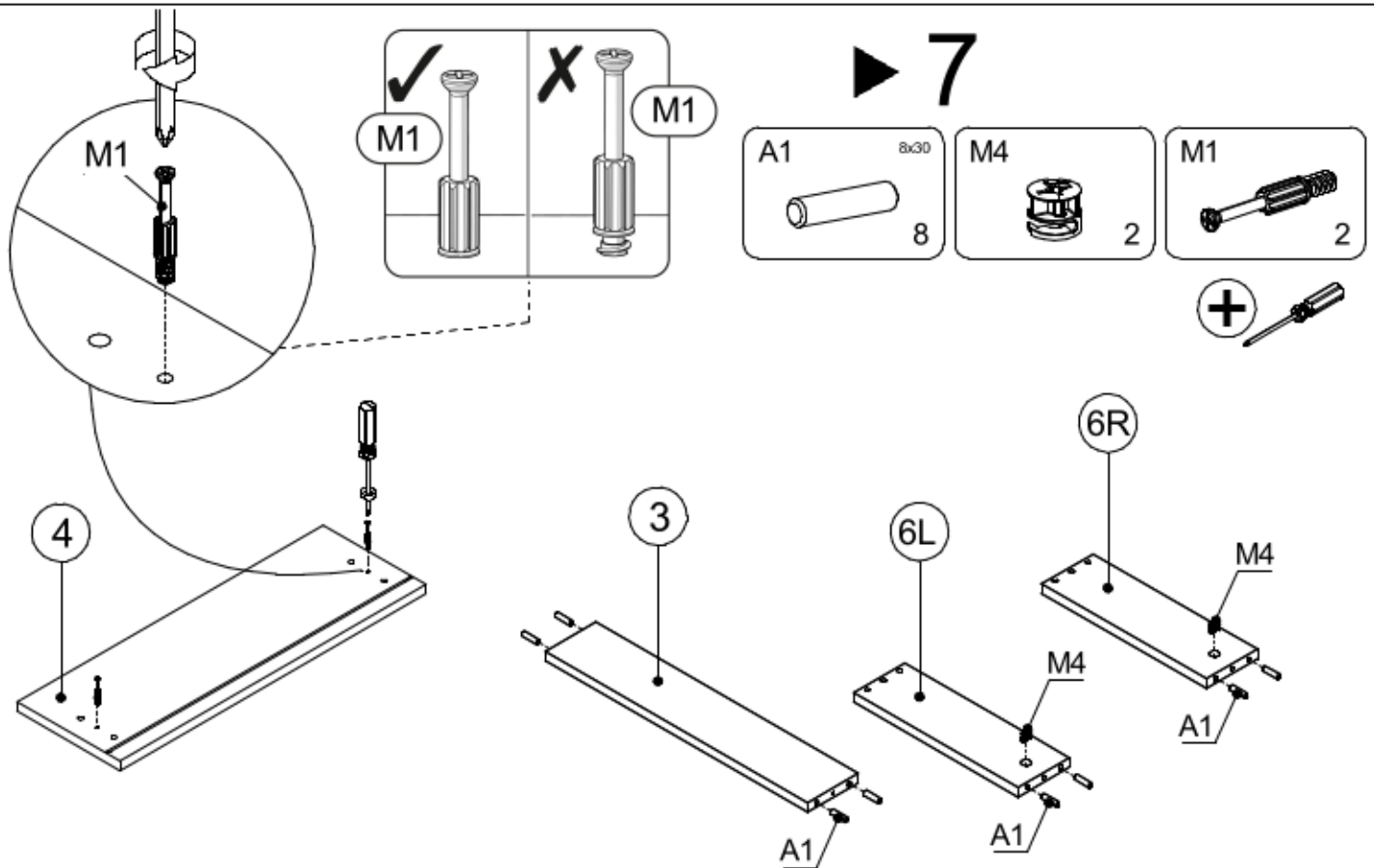


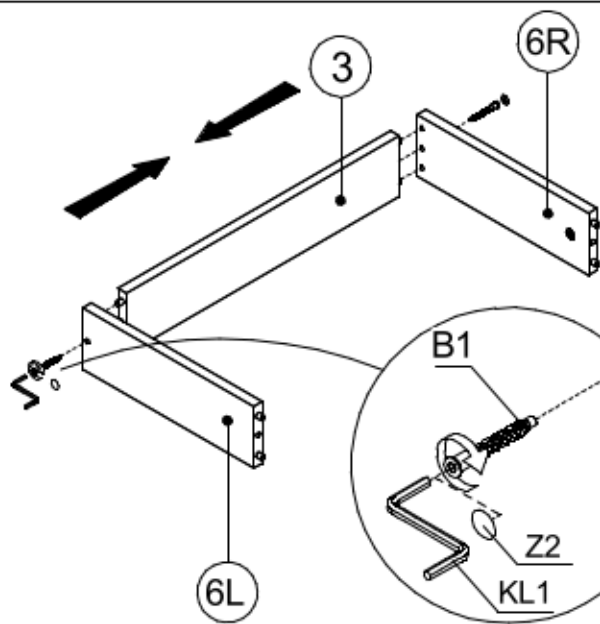


# ▶ 6

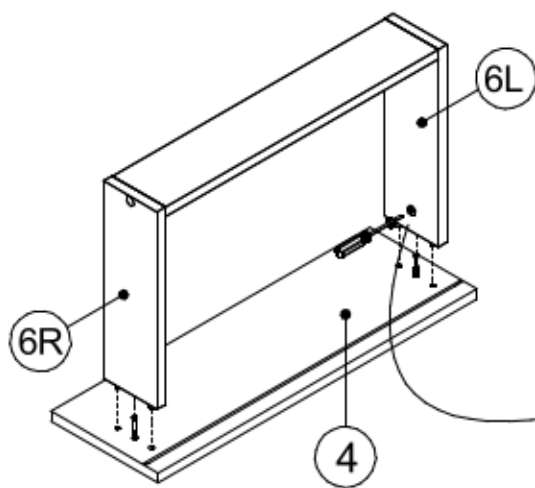
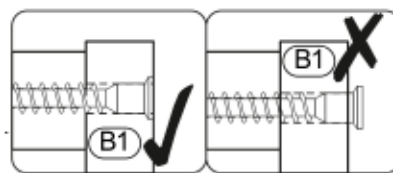
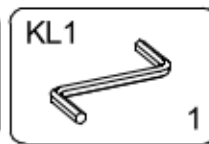
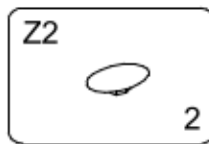
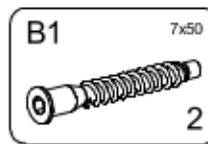


# ▶ 7

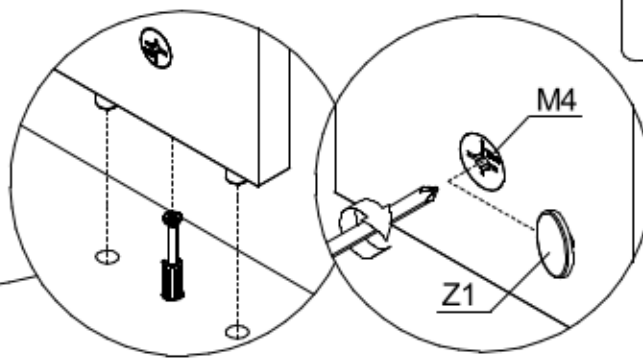
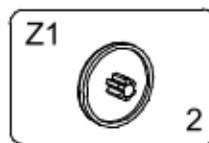




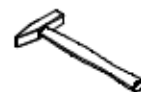
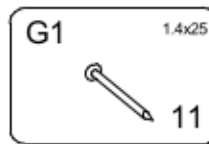
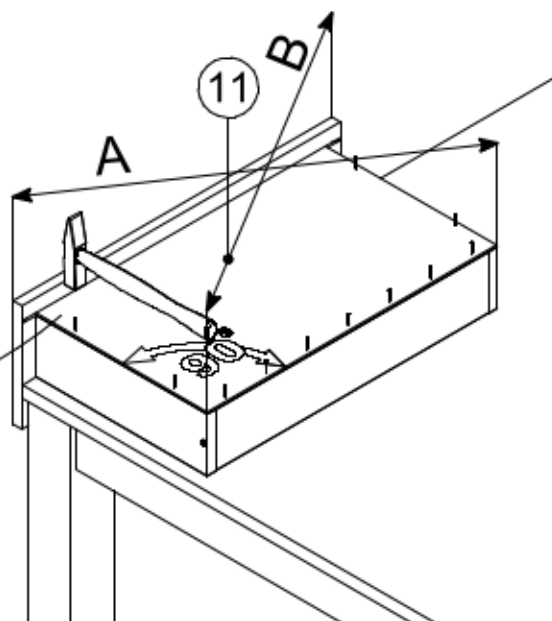
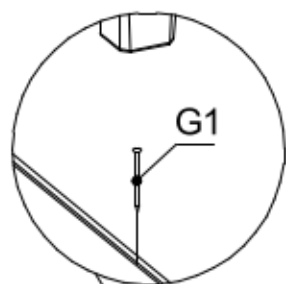
▶ 8



▶ 9

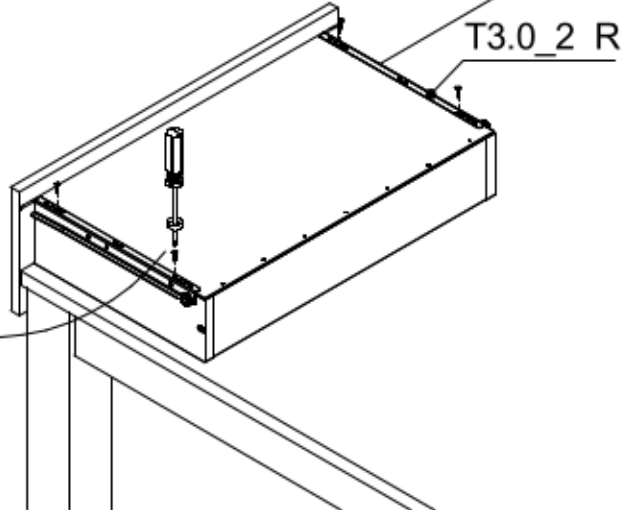
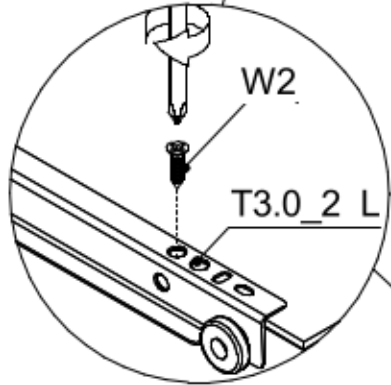
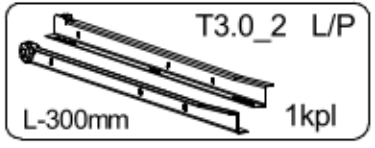
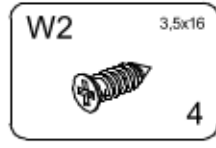
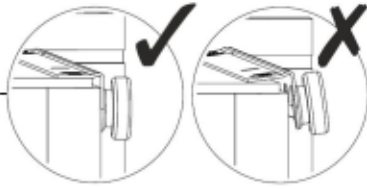


▶ 10

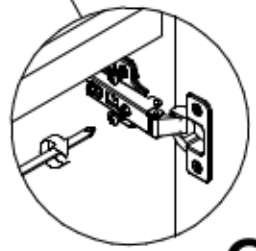
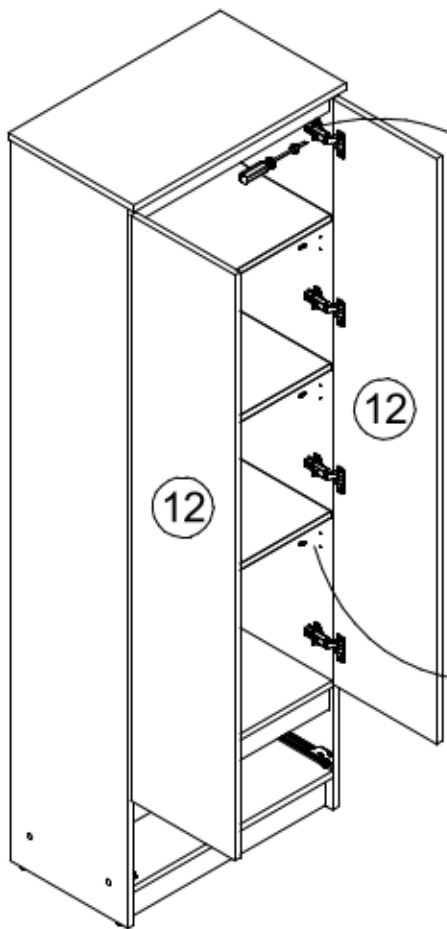
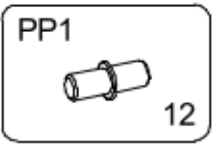
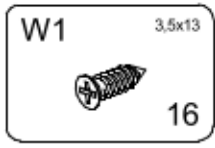
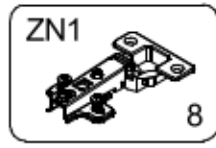




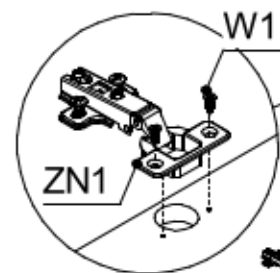
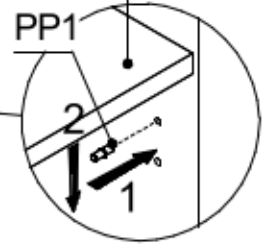
# ▶ 11



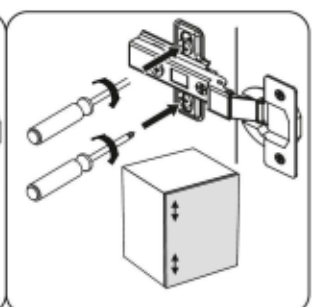
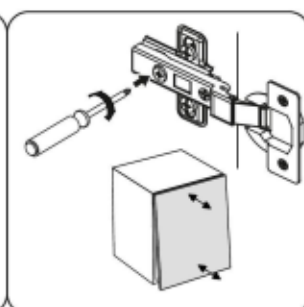
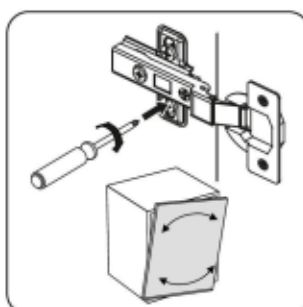
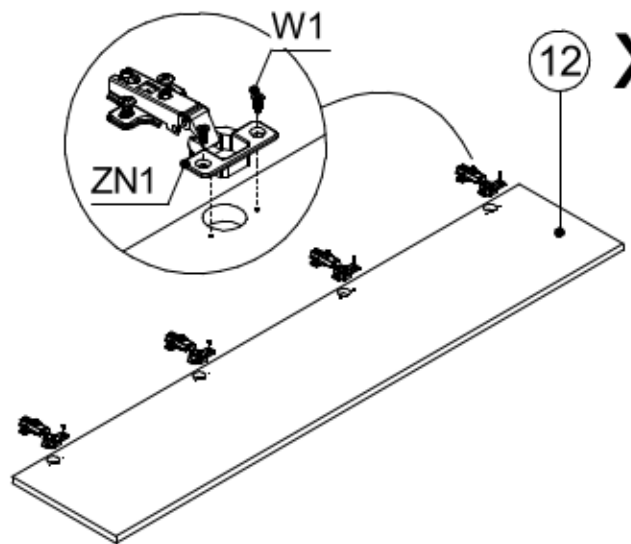
# ▶ 12



9 x3

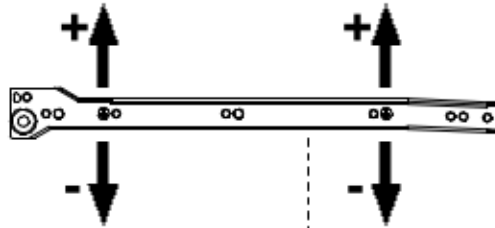
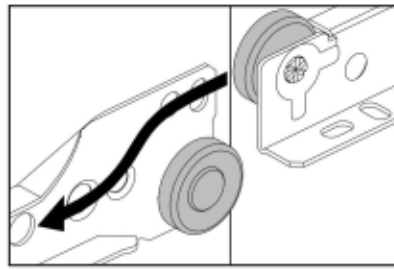
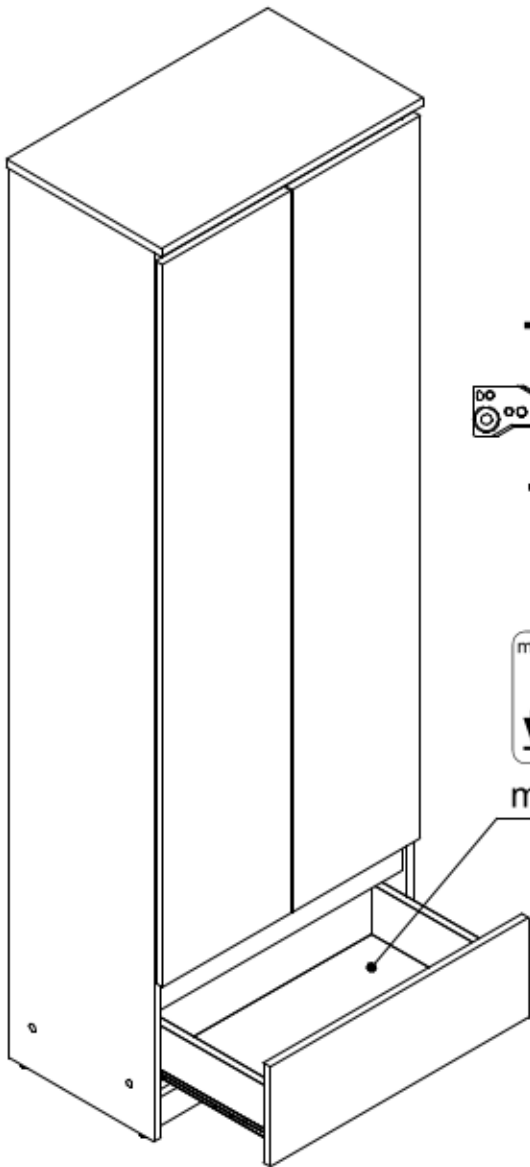


12 x2



# ▶ 13

W2 3.5x16  
2



max. 3kg

