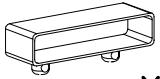




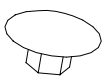
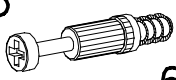


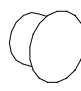
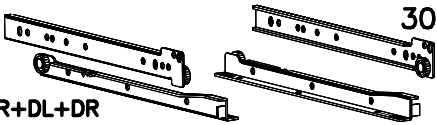
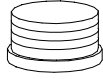
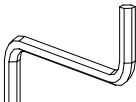
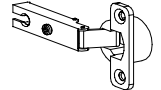
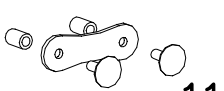
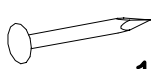
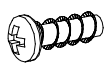
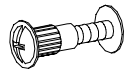
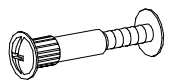
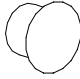
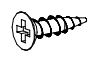
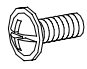
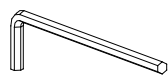



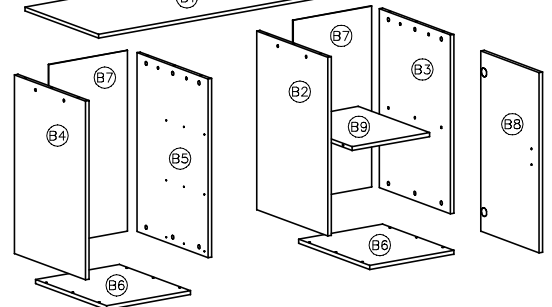
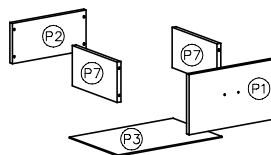
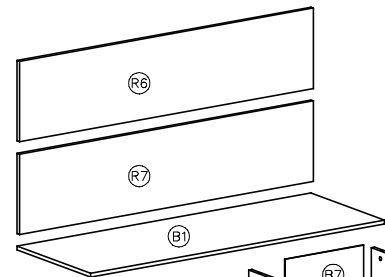
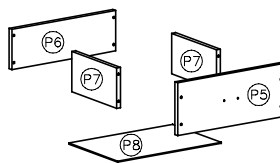
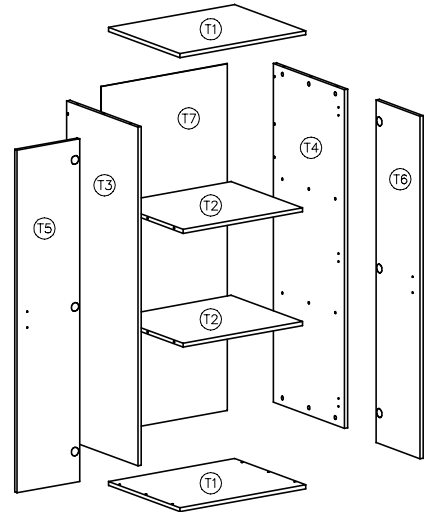
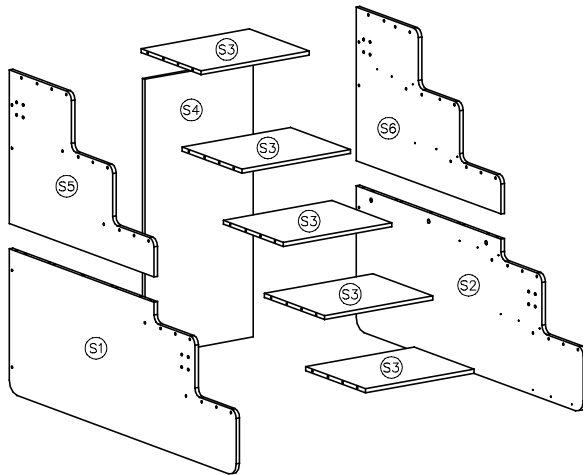
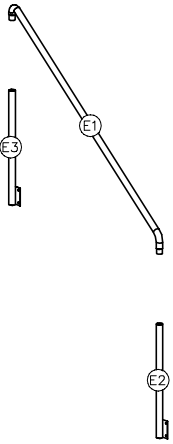
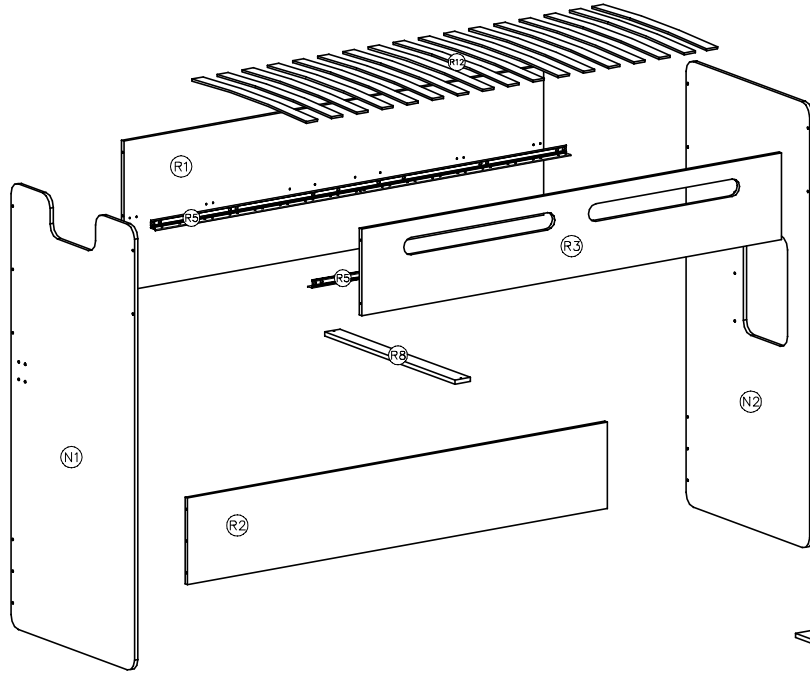
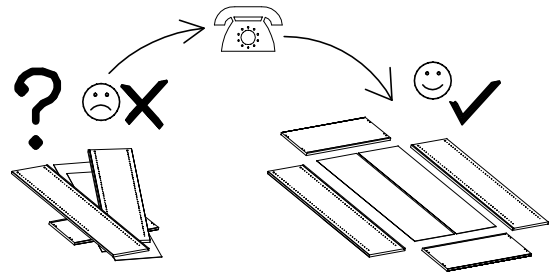
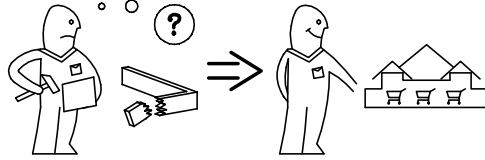
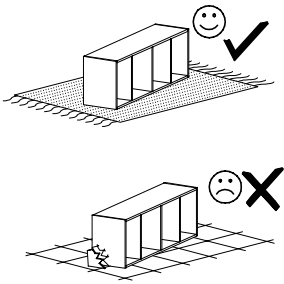
nr	L[mm]	B[mm]	Menge	Coli
R1	2000	606	1	2/10
R2	2000	350	1	2/10
R3	2000	350	1	2/10
R5	1890		2	2/10
R6	1400	322	1	8/10
R7	1400	322	1	8/10
R8			1	1/10
N1	1800	840	1	3/10
N2	1800	840	1	3/10
E1			1	6/10
E2			1	6/10
E3			1	6/10
R12			17	1/10

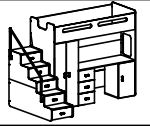
nr	L[mm]	B[mm]	Menge	Coli
B1	1400	500	1	9/10
B2	722	484	1	9/10
B3	722	484	1	9/10
B4	722	484	1	9/10
B5	722	484	1	9/10
B6	484	400	2	9/10
B7	750	400	2	10/10
B8	728	398	1	10/10
B9	484	368	1	9/10
P1	395	238	3	10/10
P2	345	160	3	8/10
P3	345	320	3	8/10
P7	300	160	6	8/10

nr	L[mm]	B[mm]	Menge	Coli
P5	500	205	4	6/10
P5	500	205	1	10/10
P6	487	160	5	5/10
P7	300	160	10	5/10
P8	480	320	5	5/10
S1	965	590	1	4/10
S2	965	590	1	4/10
S3	508	400	5	5/10
S4	1100	508	1	5/10
S5	1515	590	1	4/10
S6	1515	590	1	4/10
T1	600	484	2	7/10
T2	568	484	2	7/10
T3	1368	484	1	7/10
T4	1368	484	1	7/10
T5	1384	298	1	10/10
T6	1384	298	1	10/10
T7	1400	600	1	7/10

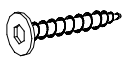
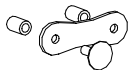
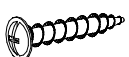


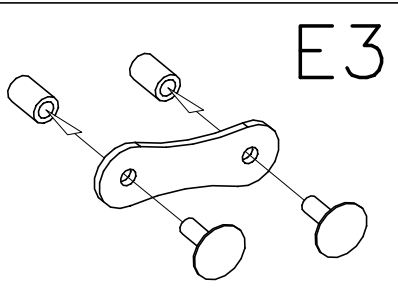
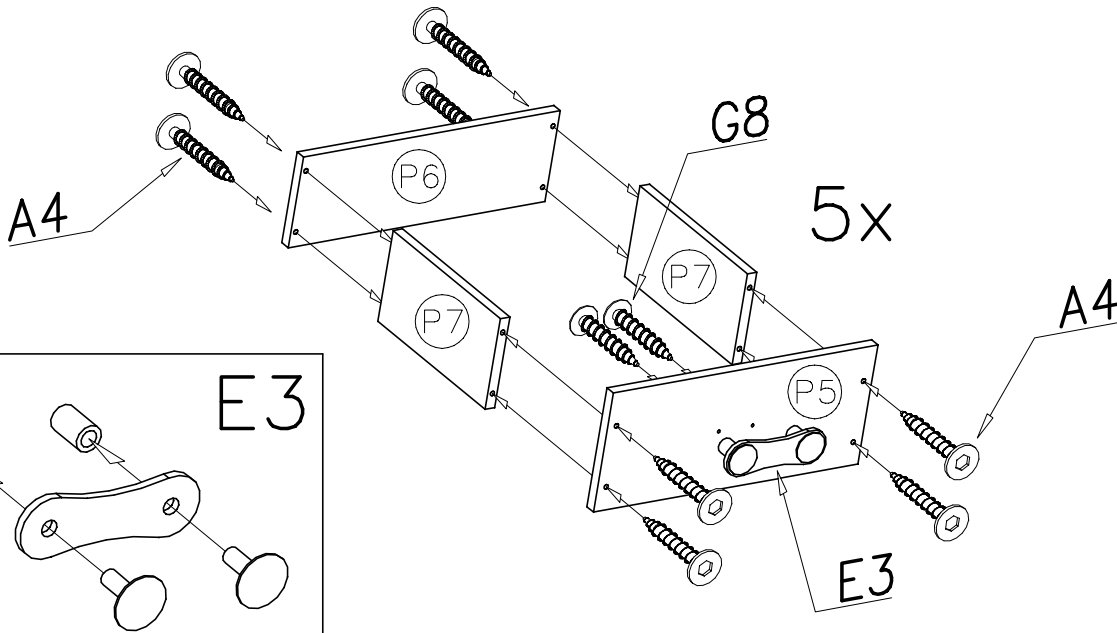
T5  x34	B3  ø6x50 x16	B1  ø6x35 x54	G10  6x13 x48	I11  ø5 x4
I7  ø18 63x	K5  63x	K1  ø15x12 63x	G8  4x30 x22	I10  ø9 x8
H7  CL+CR+DL+DR 300mm x8	Q3  x3	W3  x1	C3  8x	
E3  x11	W4  x144	E  6x13 x26	N5  9x20 x8	N6  8x30 x10
I9  ø8 x4	G34  3,5x16 x64	N2  M5x10 x2	W2  x1	A4  6x50 x136






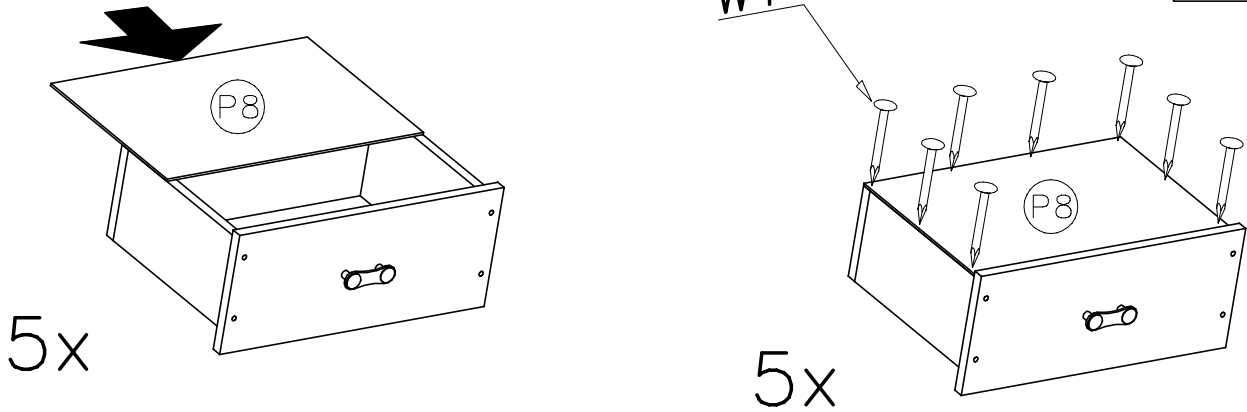
I

- A4  6x50 x40
- E3  x5
- G8  4x30 x10

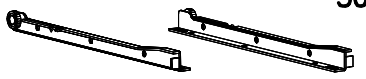
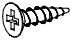


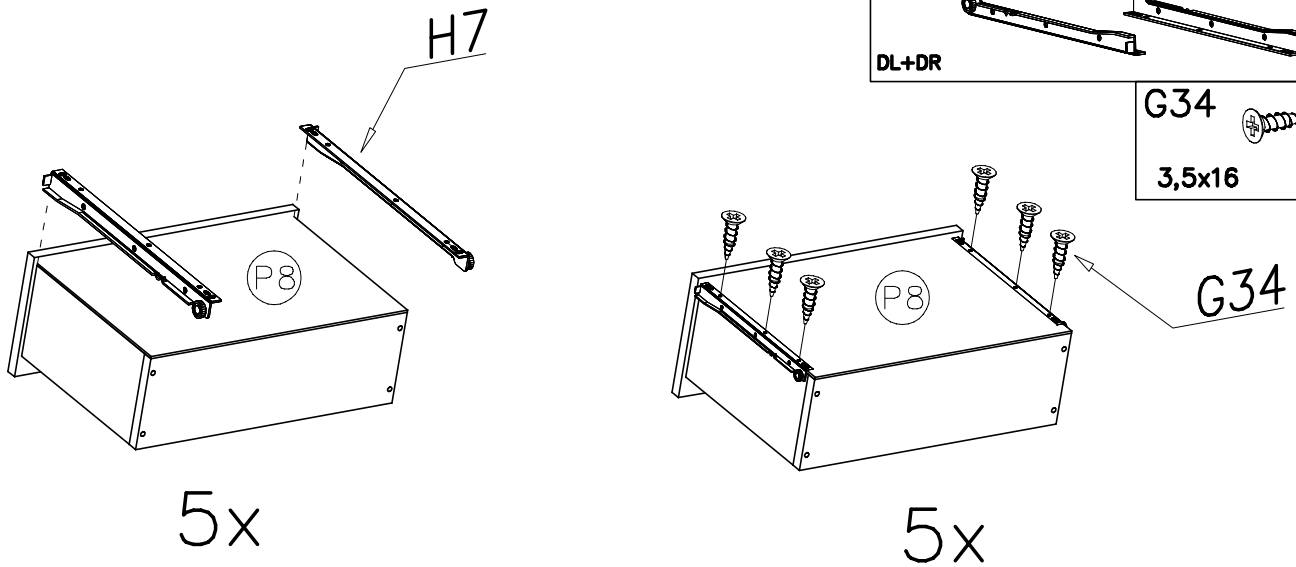
II

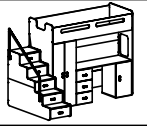
- W4  x40




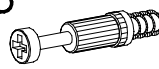
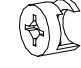

III

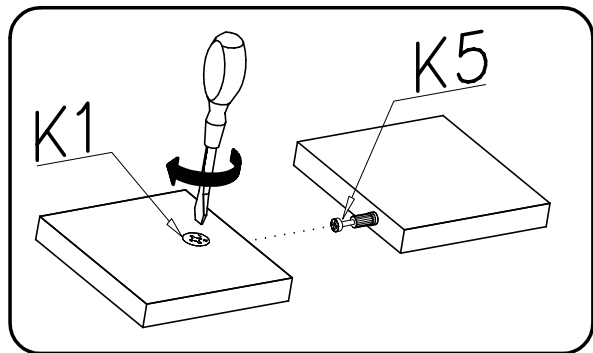
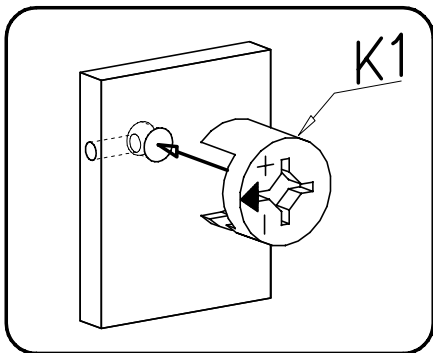
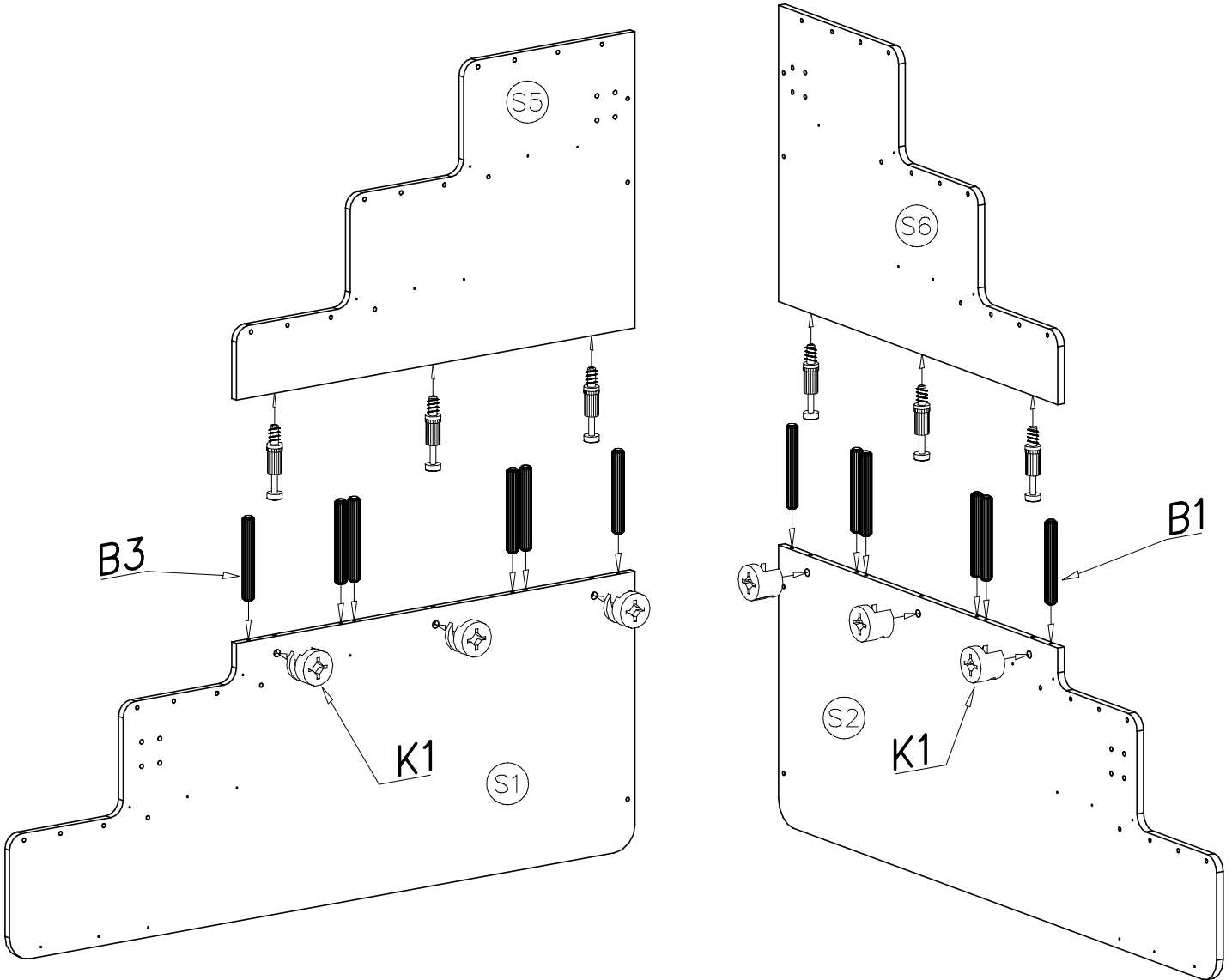
- H7  300mm DL+DR x5
- G34  3,5x16 x30

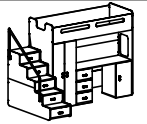




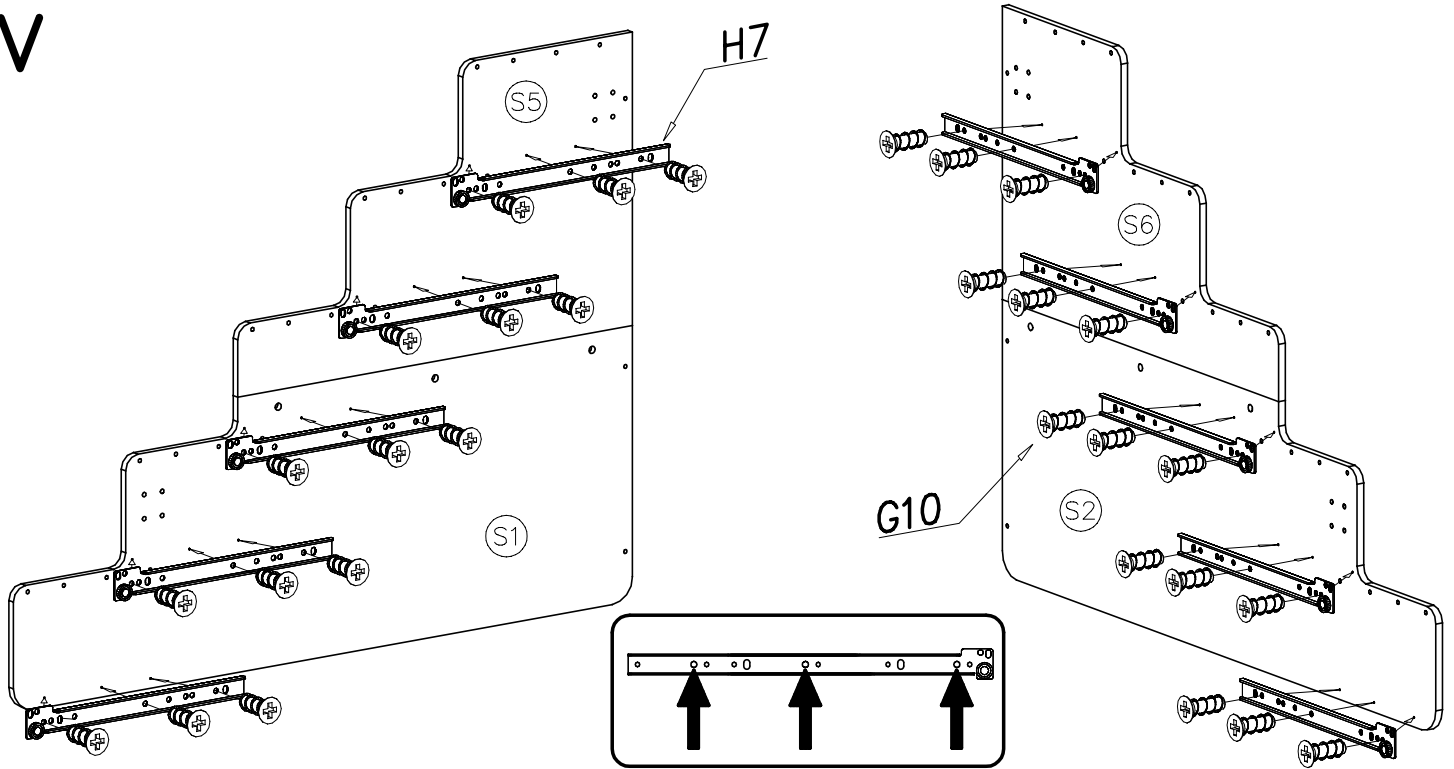
IV

<p>I7 ø18 6x</p> 	<p>K5 6x</p> 	<p>K1 6x</p> 	<p>B3 ø6x50 x12</p> 
--	--	--	---



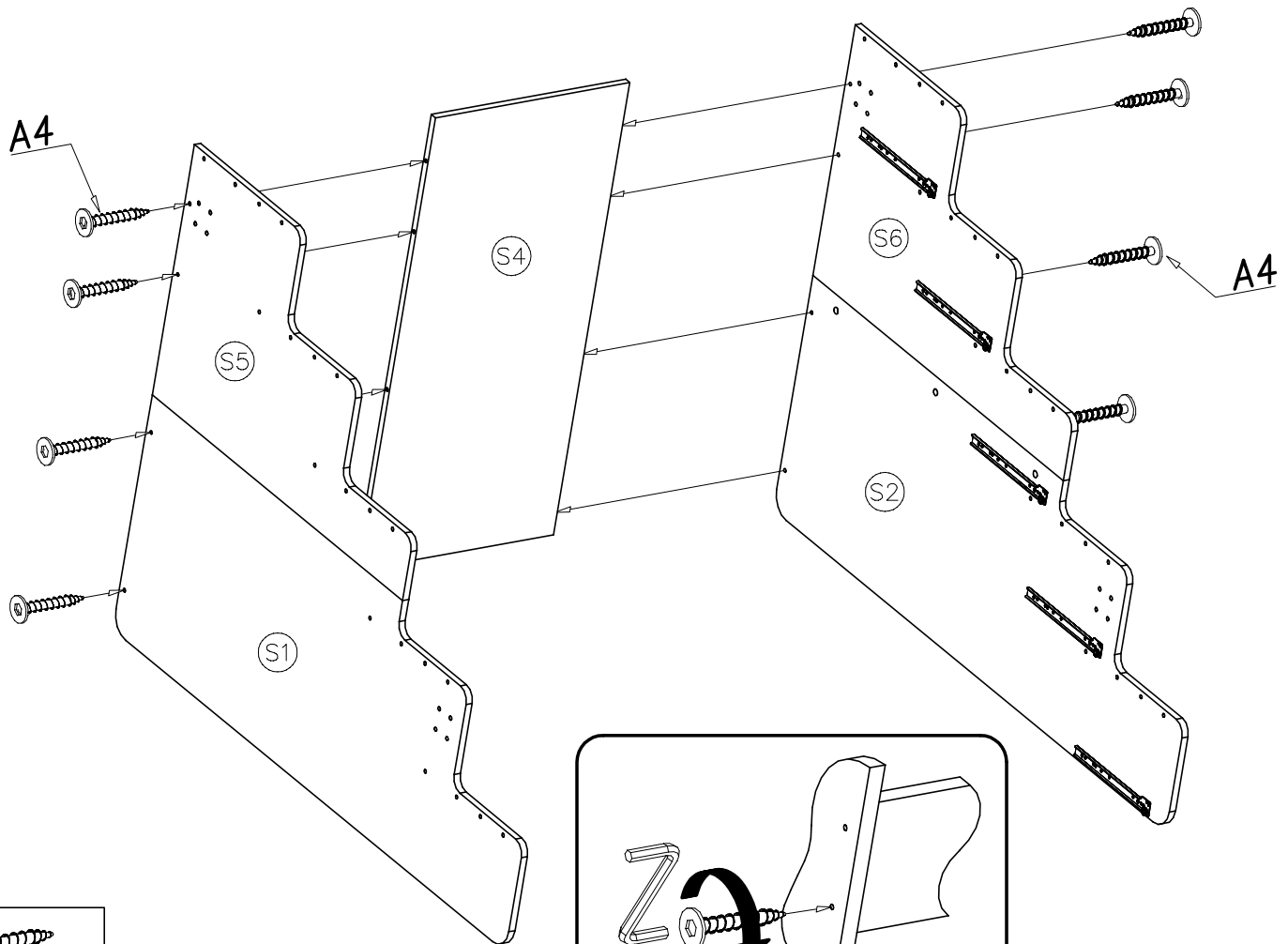


V

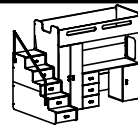


H7	300mm	G10	
CL+CR	x5	6x13	x30

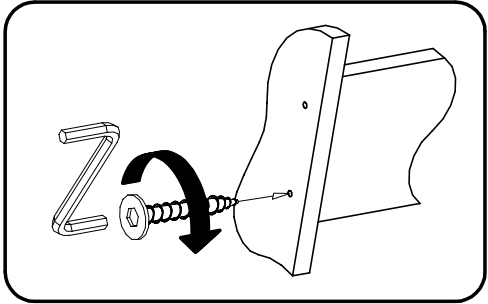
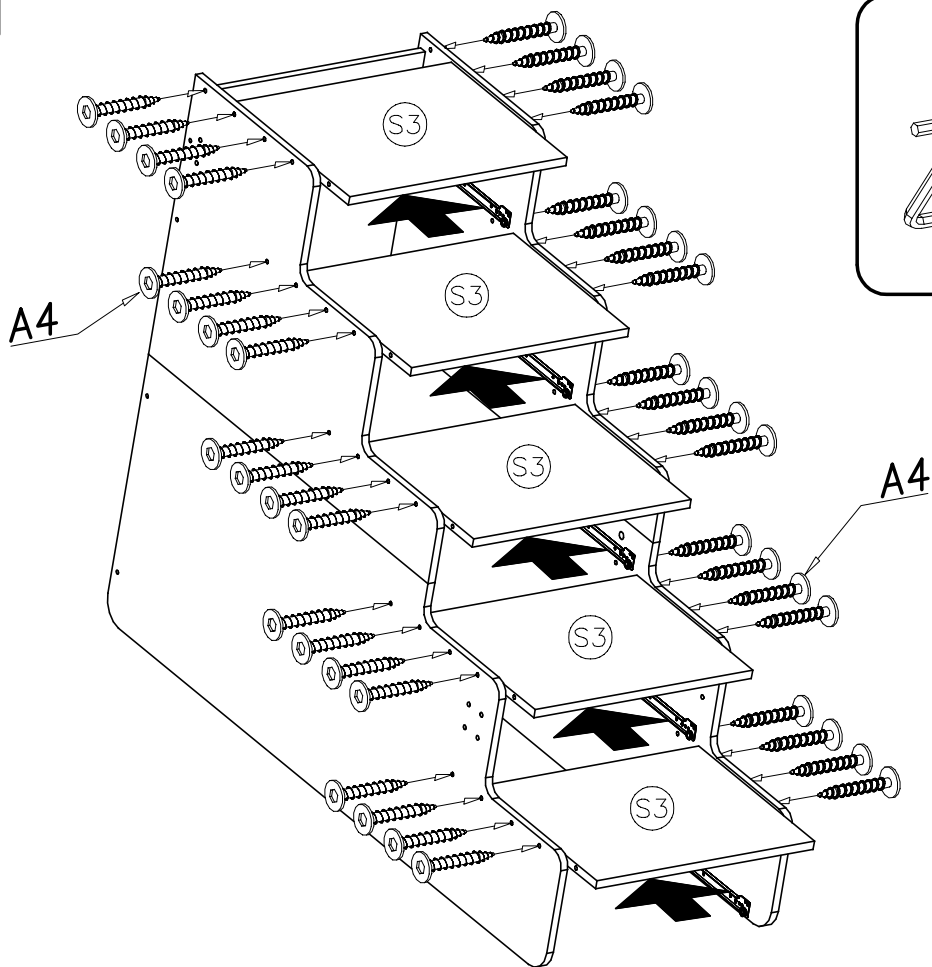
VI



A4	
6x50	x8

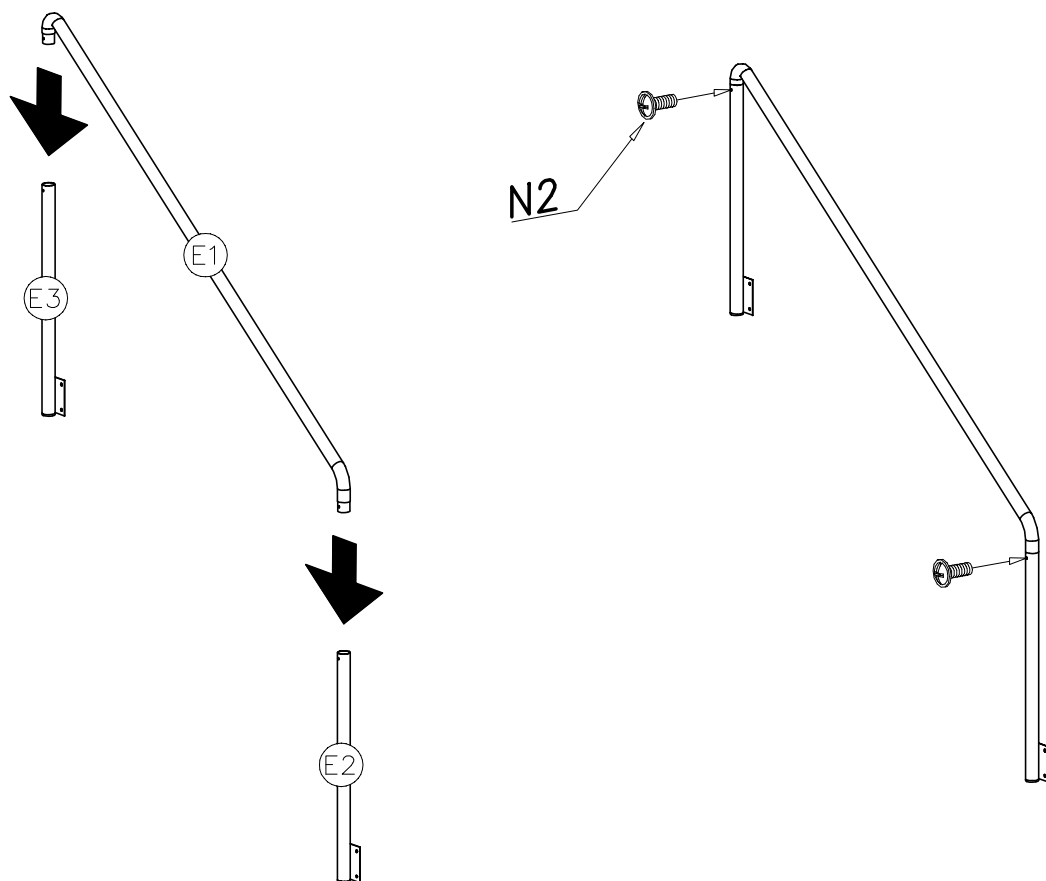


VII

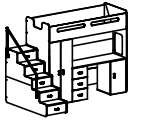


A4
6x50 x40

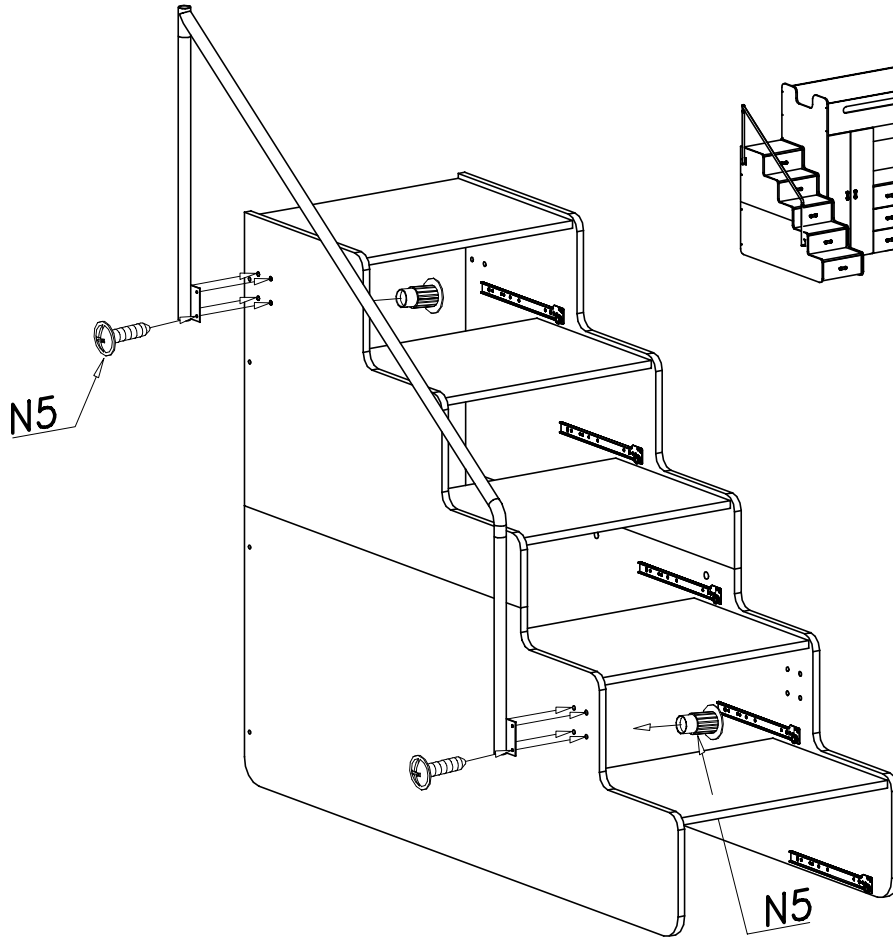
VIII



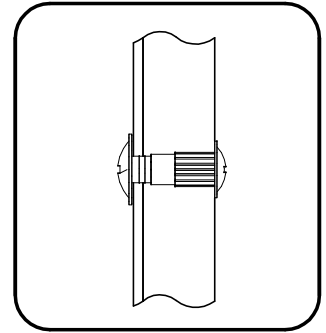
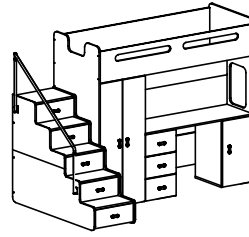
N2
M5x10 x2



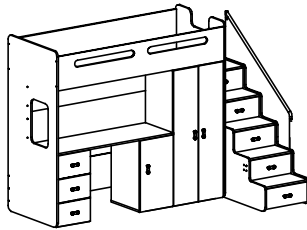
IX



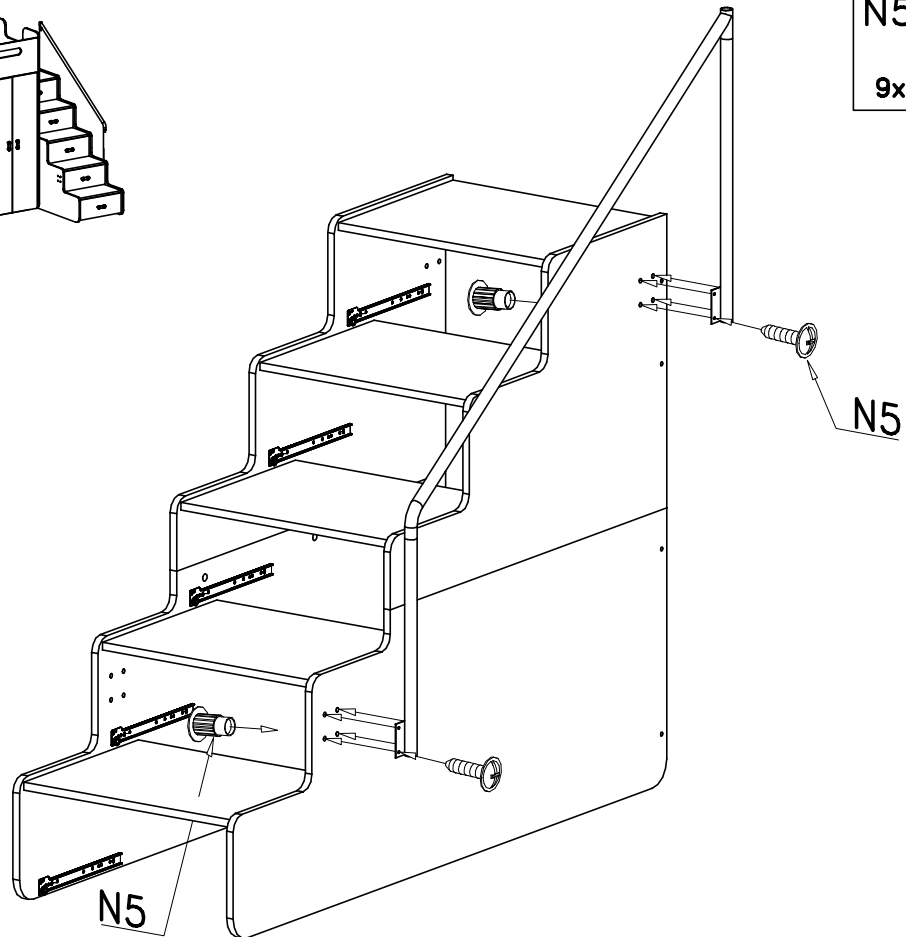
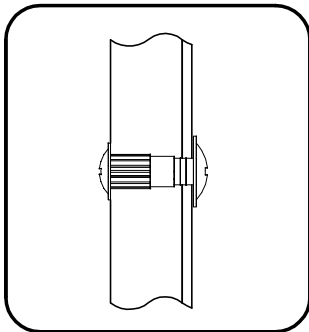
N5
9x20 x8

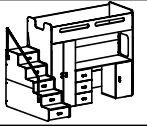


IX

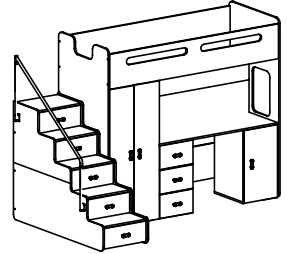
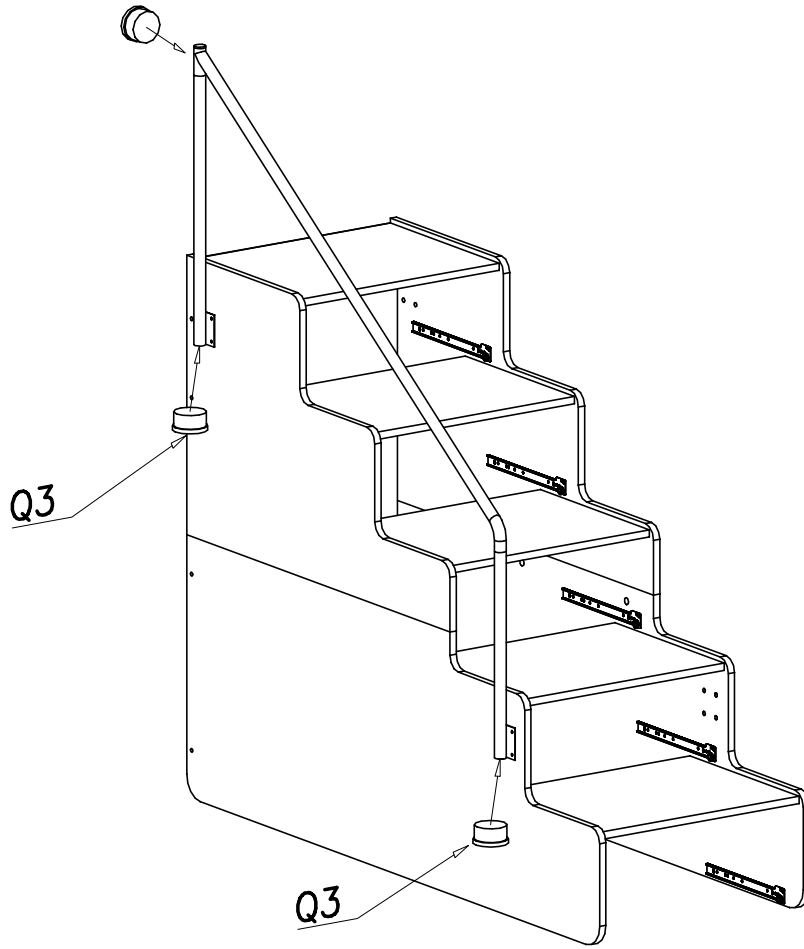


N5
9x20 x8

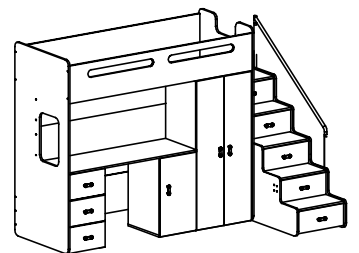
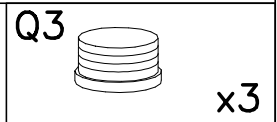
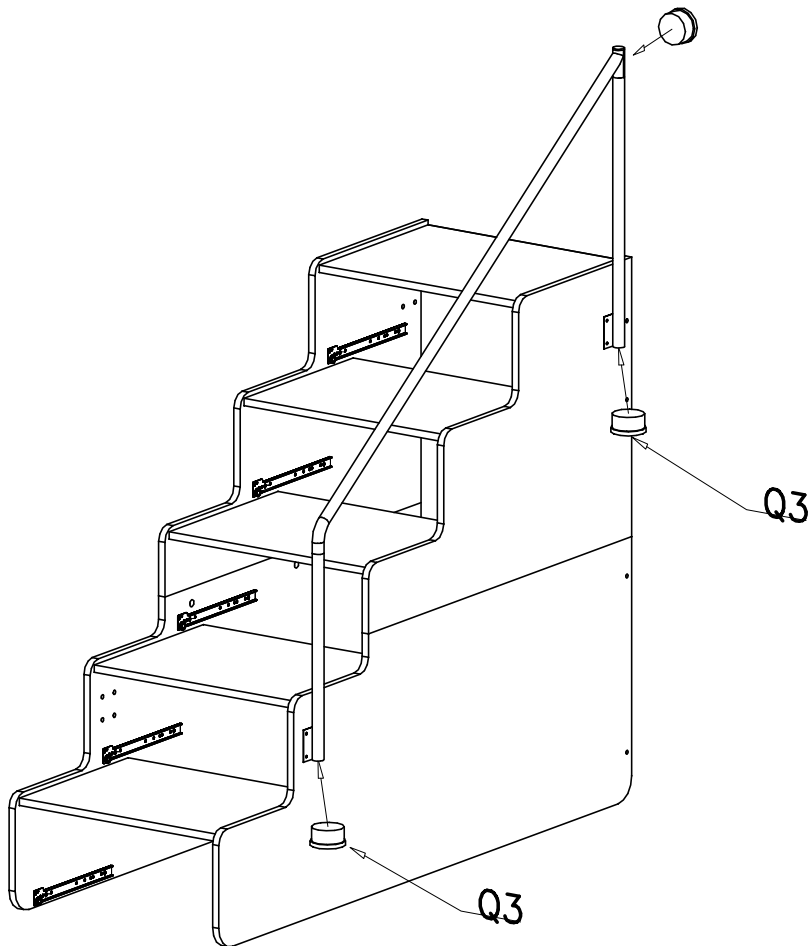


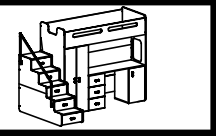


X

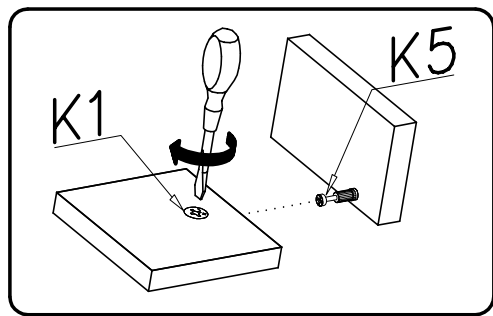
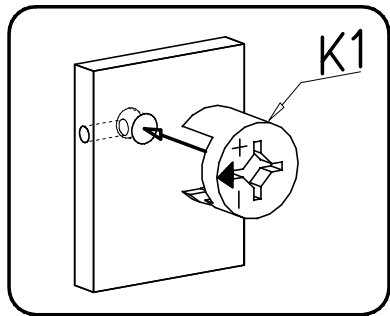
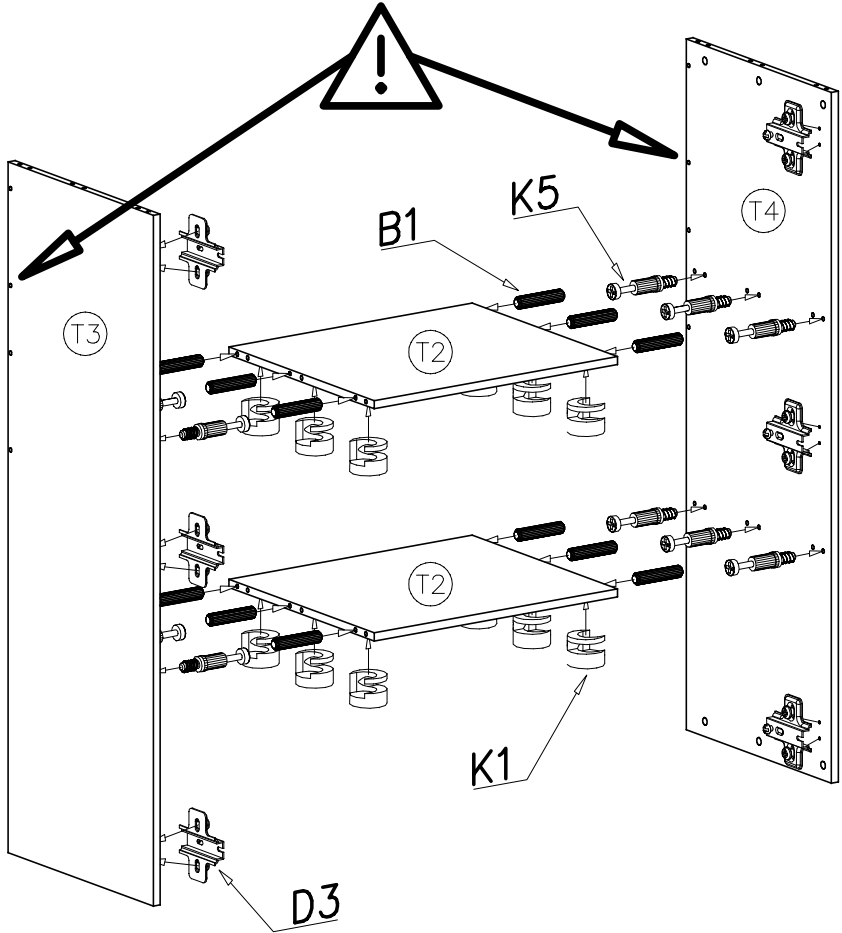
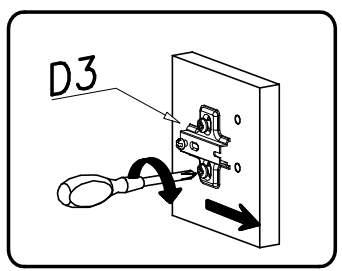


X

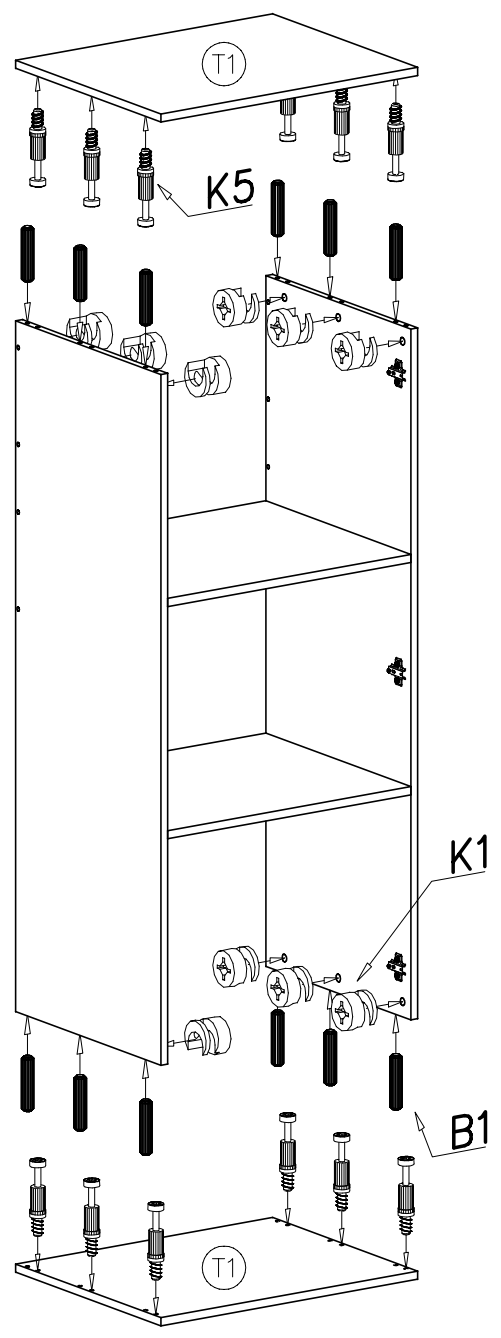





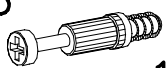

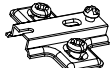
XI




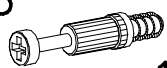

XII

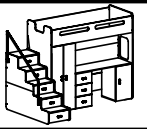


B1  x12
 ø6x35

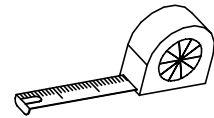
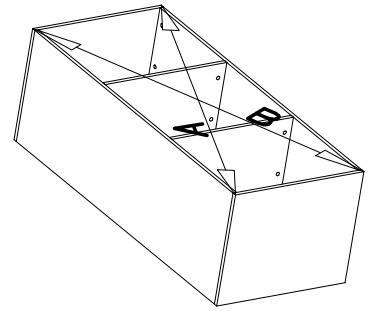
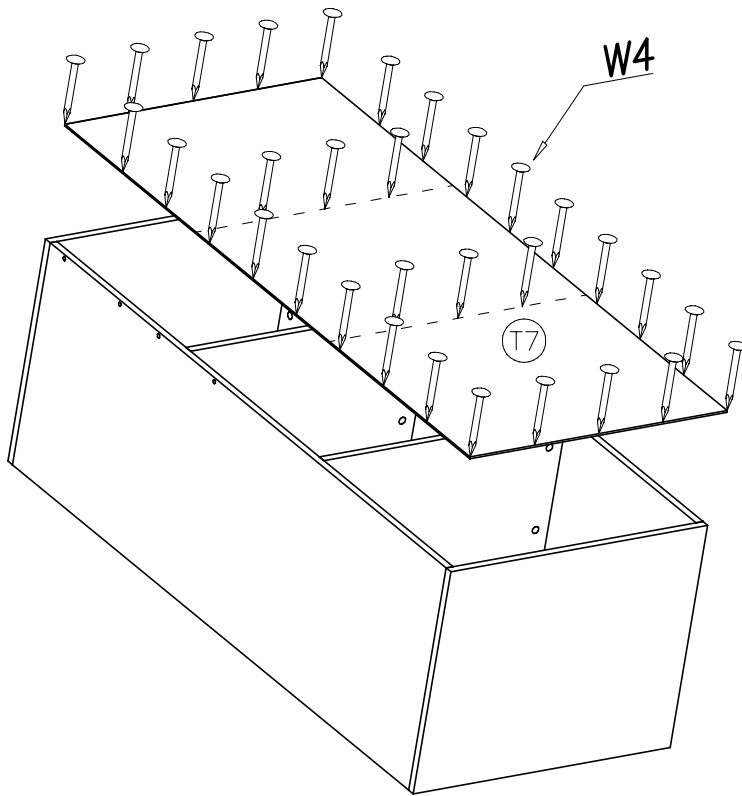
K5  12x
K1  12x ø15x12
D3  6x

B1  x12

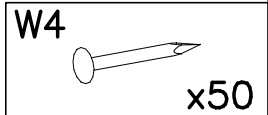
K5  12x
K1  12x ø15x12



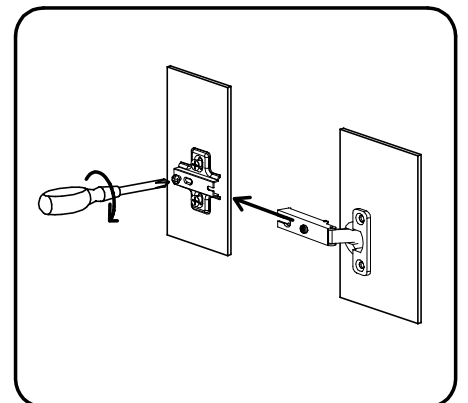
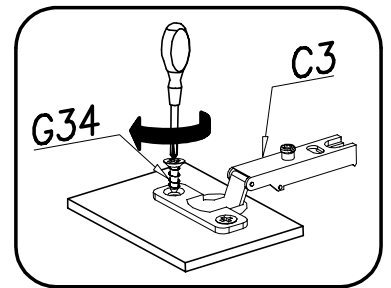
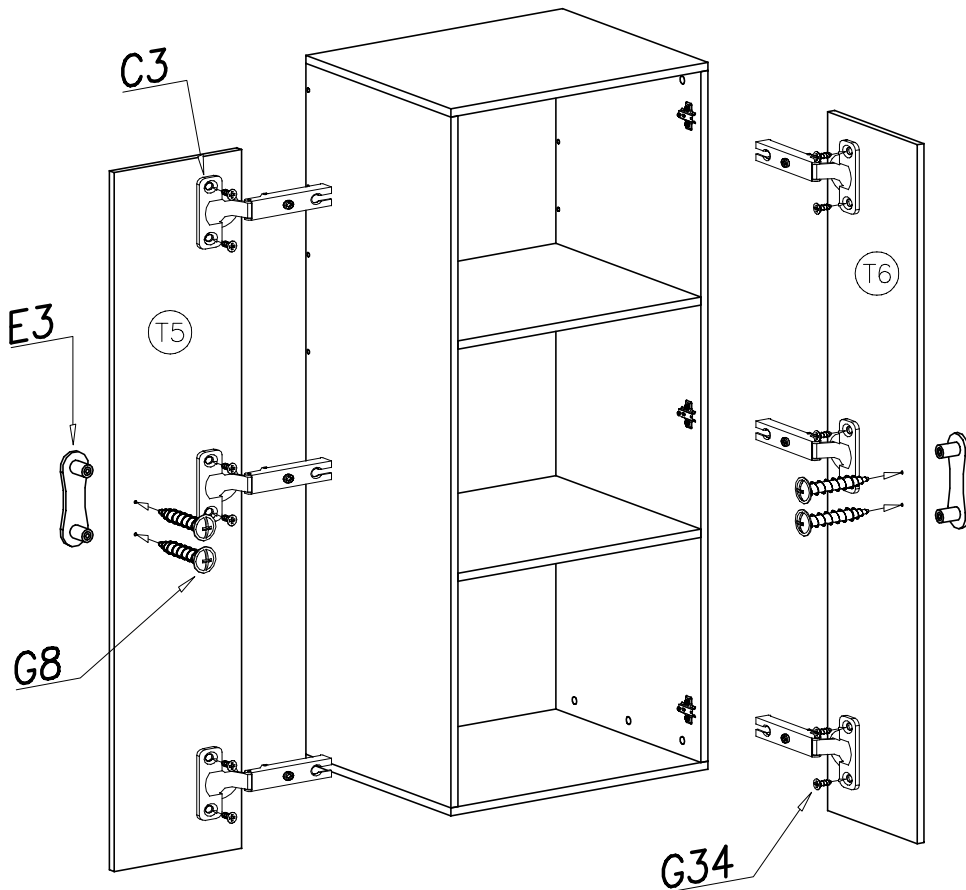
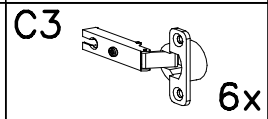
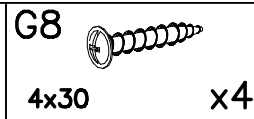
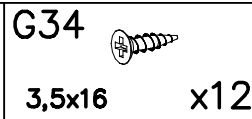
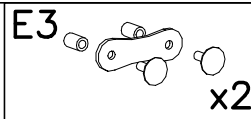
XIII

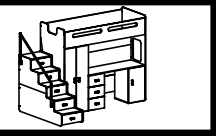


A = B


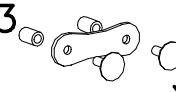



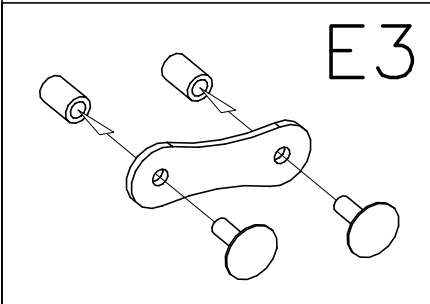
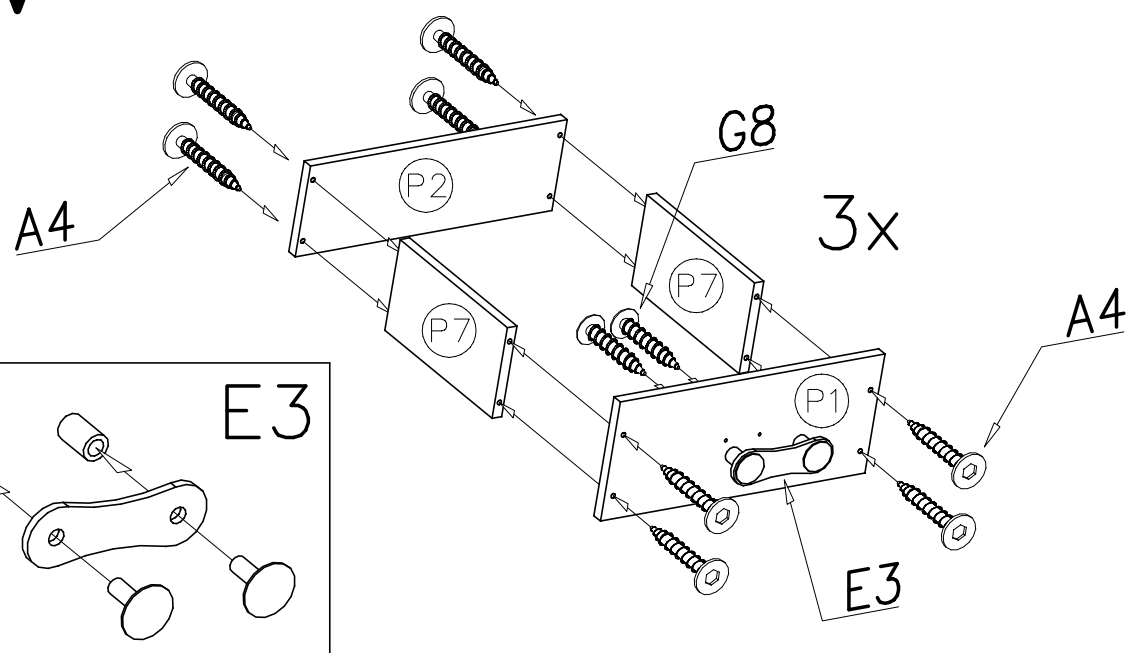
XIV



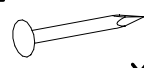


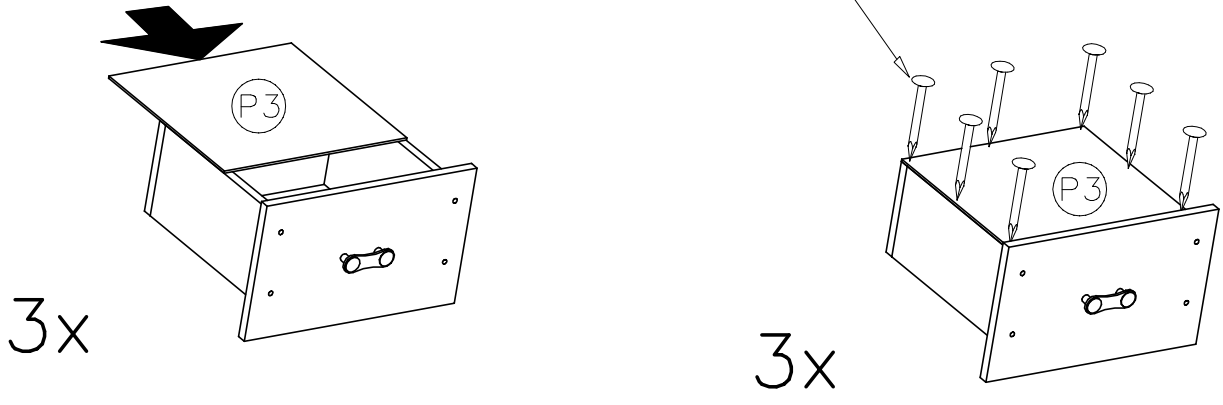
XV

- A4  6x50 x24
- E3  x3
- G8  4x30 x6

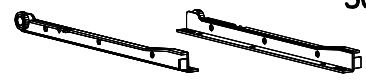
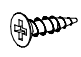


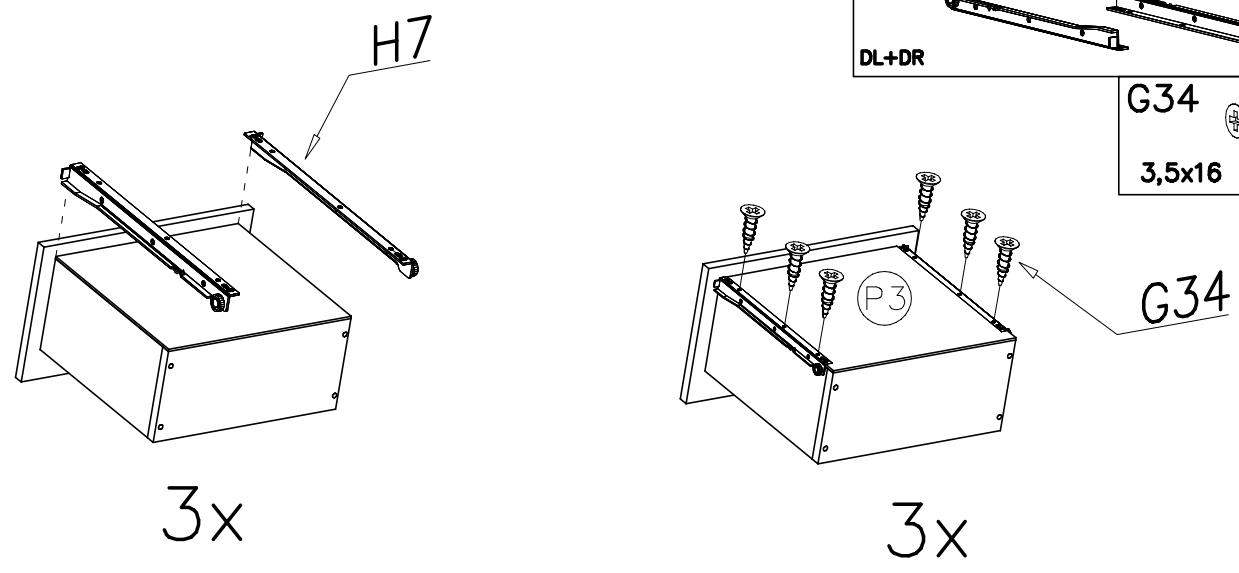
XVI

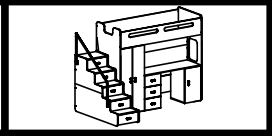
- W4  x45



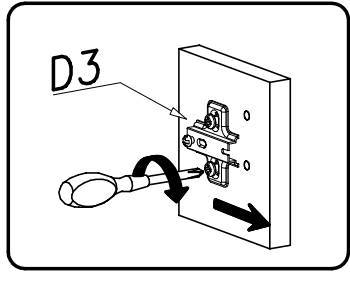
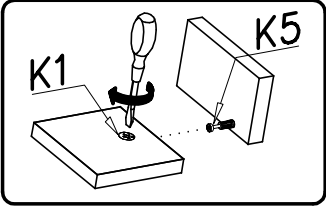
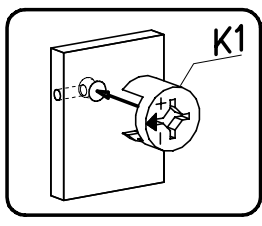
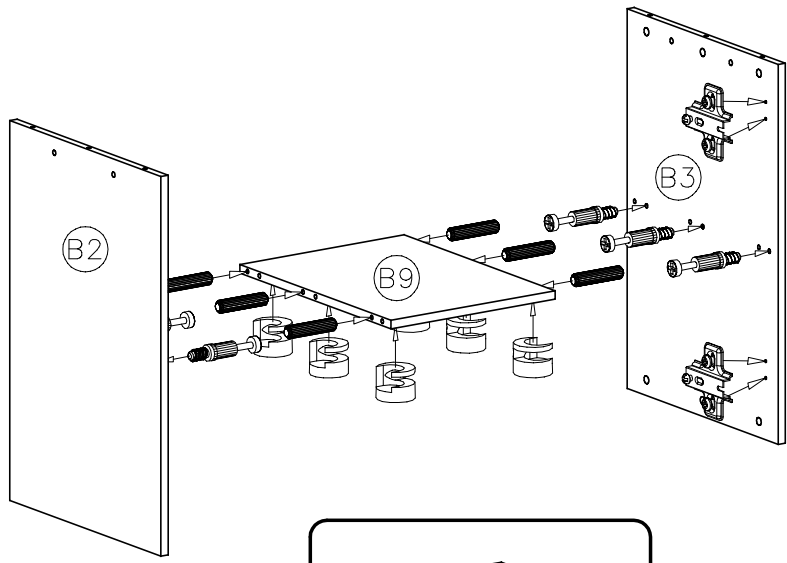
XVII


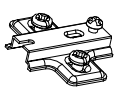
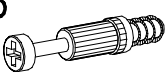

- H7  300mm DL+DR x3
- G34  3,5x16 x18



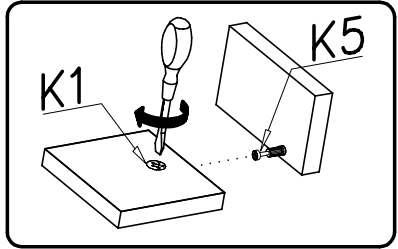
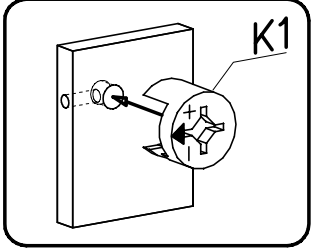
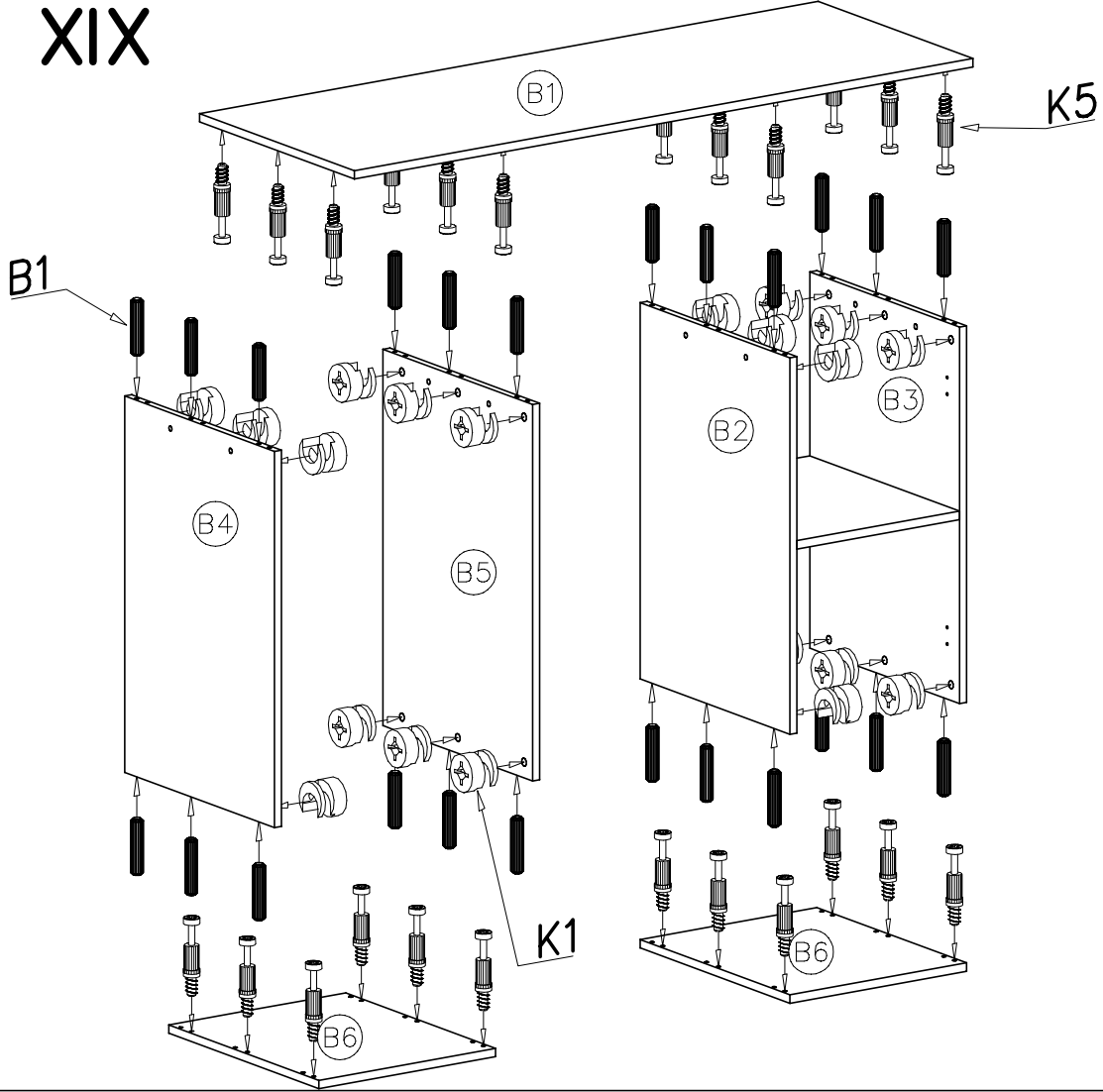


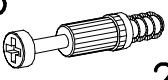


XVIII

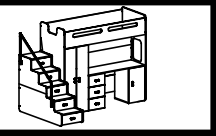


<p>B1</p>  <p>∅6x35 x6</p>	<p>D3</p>  <p>2x</p>
<p>K5</p>  <p>6x</p>	<p>K1</p>  <p>∅15x12 6x</p>

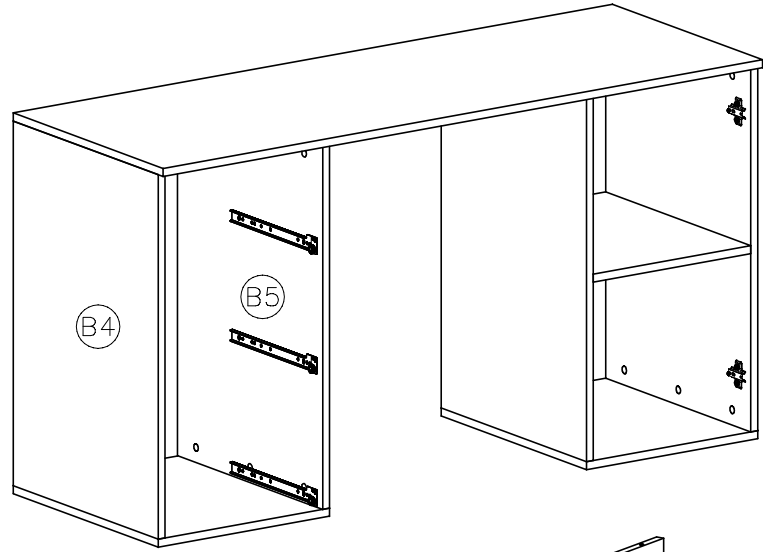
XIX





<p>K5</p>  <p>24x</p>
<p>B1</p>  <p>∅6x35 x24</p>
<p>K1</p>  <p>∅15x12 24x</p>

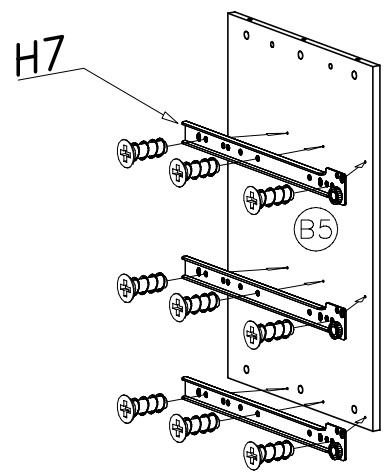
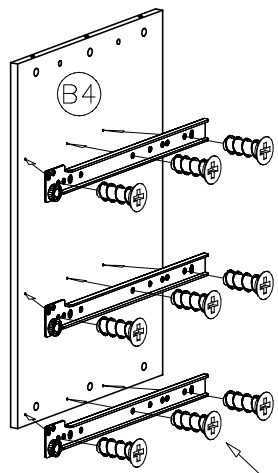
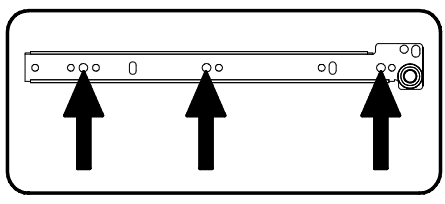


XX



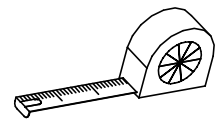
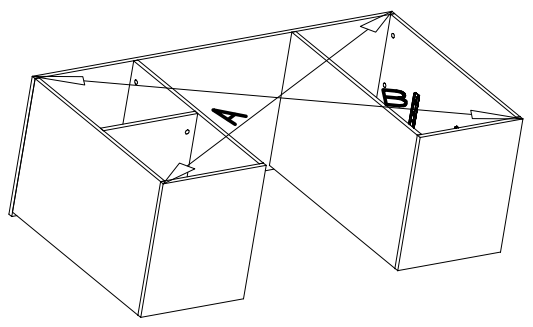
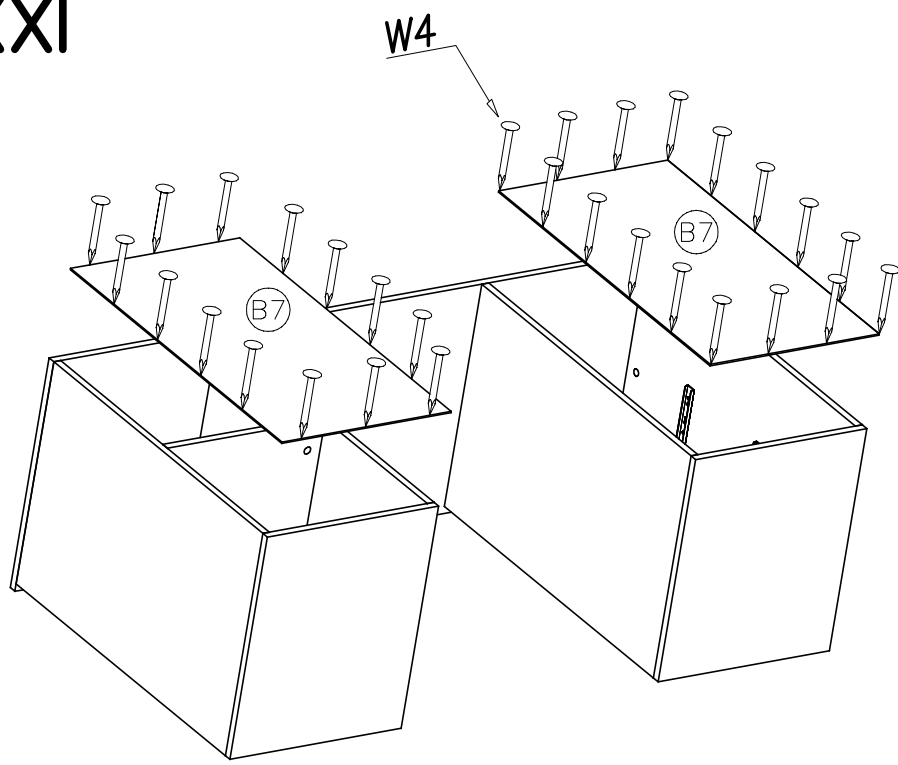
H7  300mm
CL+CR x3

G10  x18
6x13




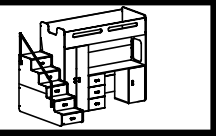
G10

XXI

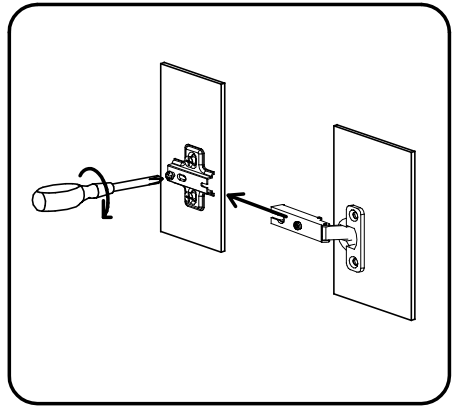
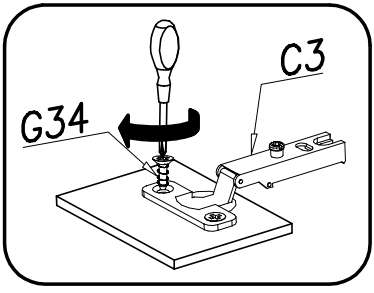
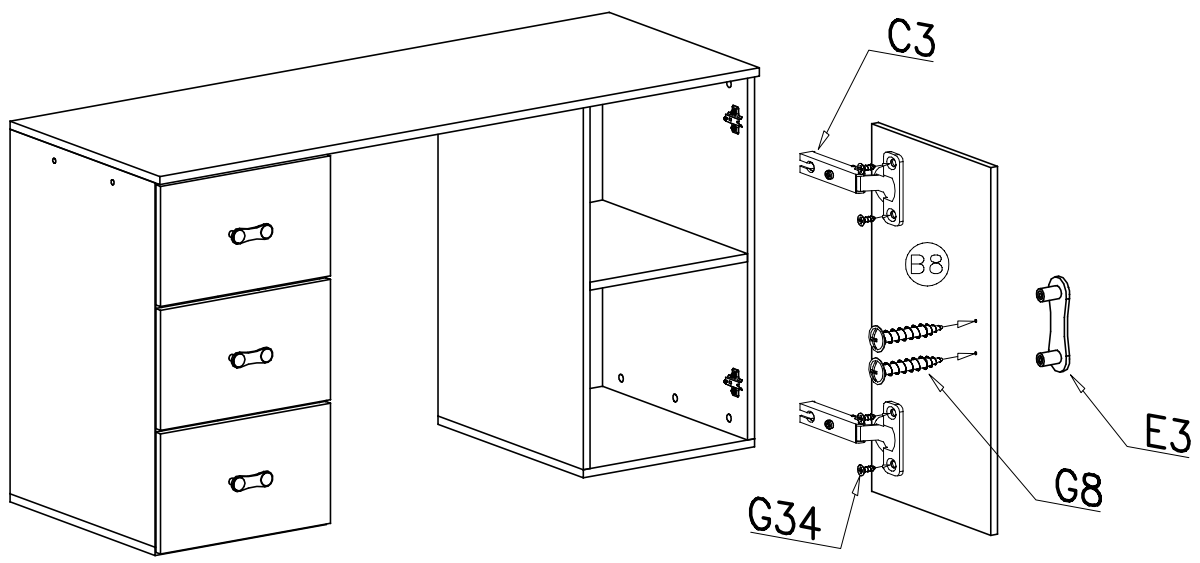


A=B

W4  x30

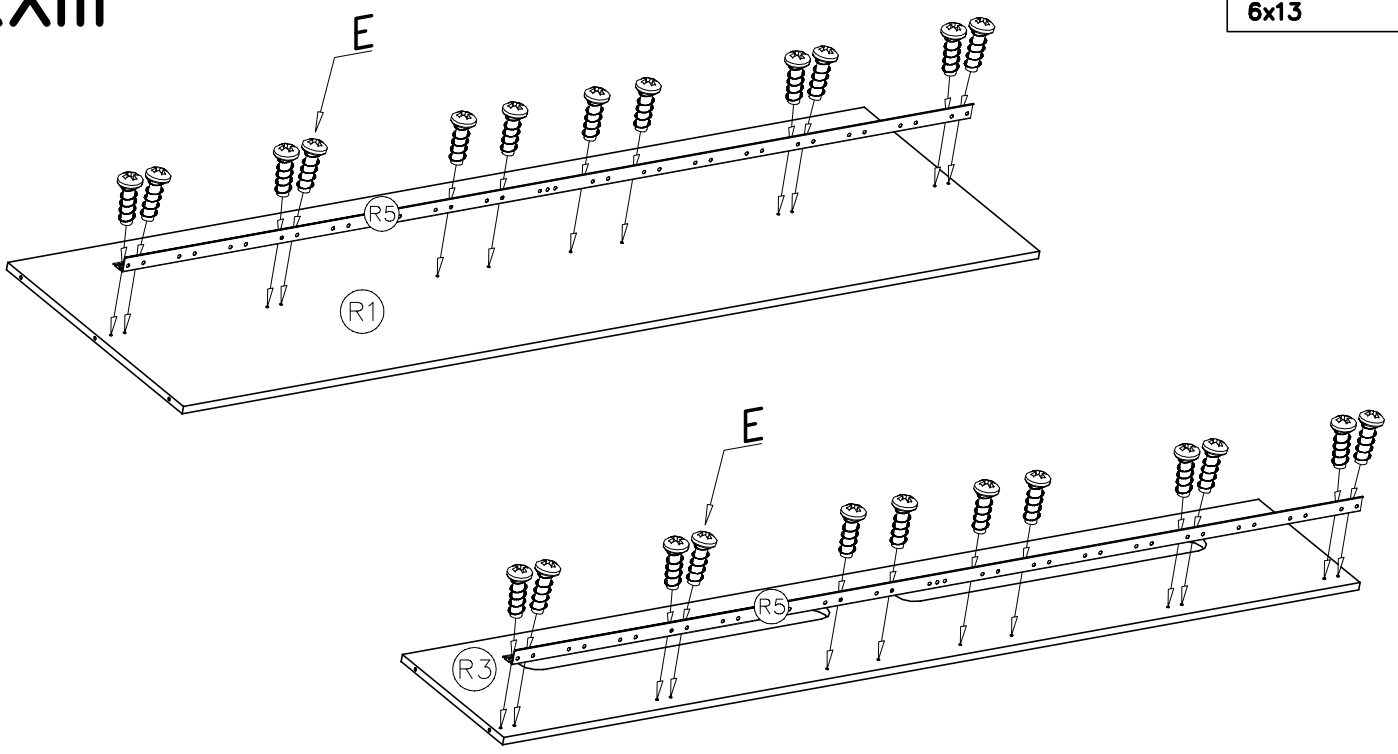


XXII

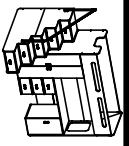
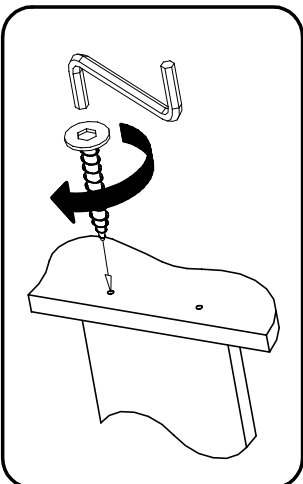
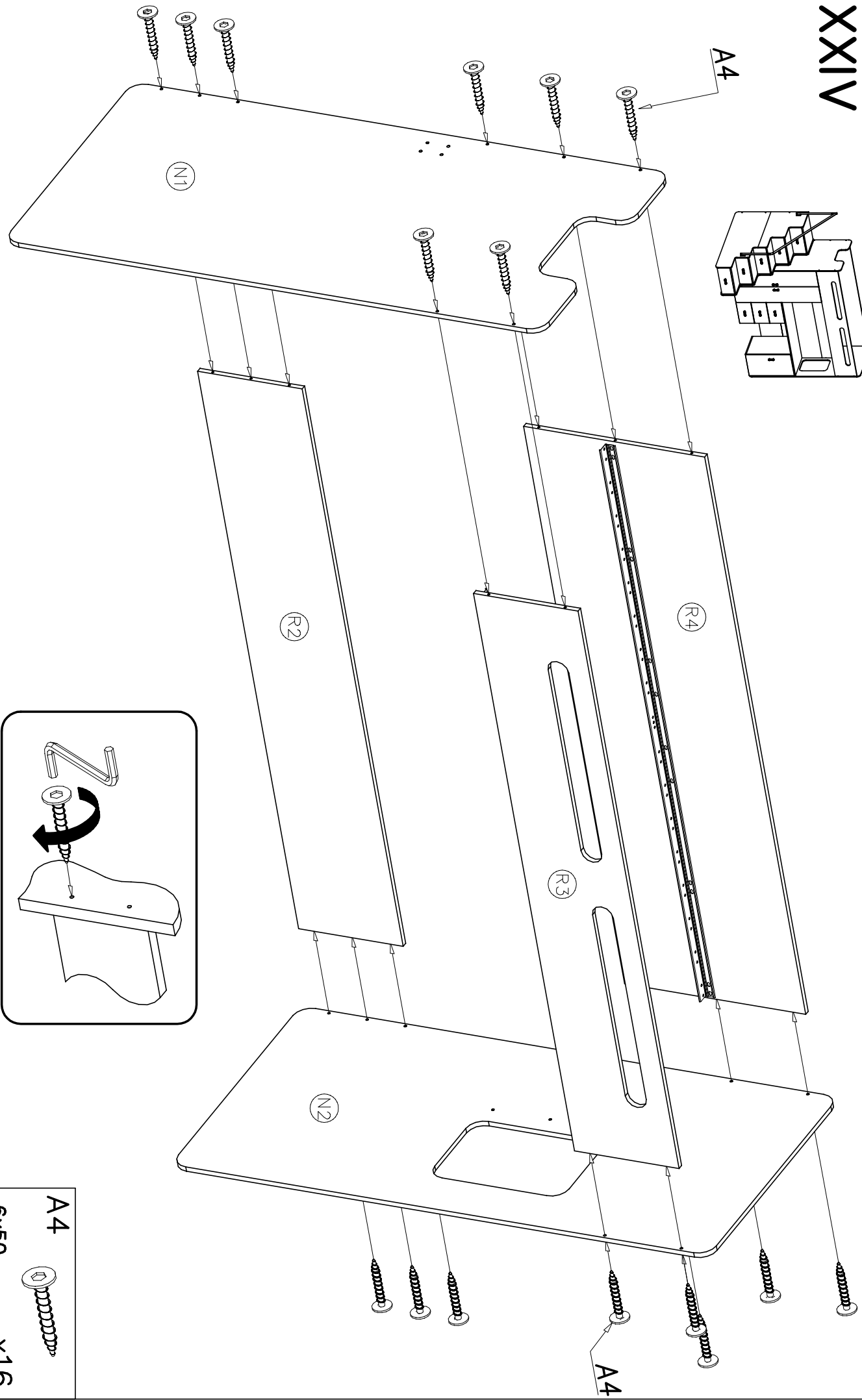
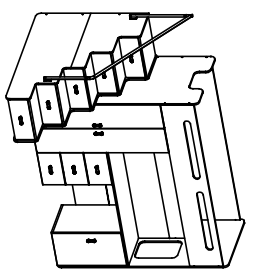


C3		2x
G34		3,5x16 x4
G8		4x30 x2
E3		x1
E		6x13 x24

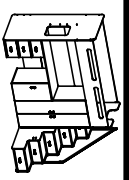
XXIII



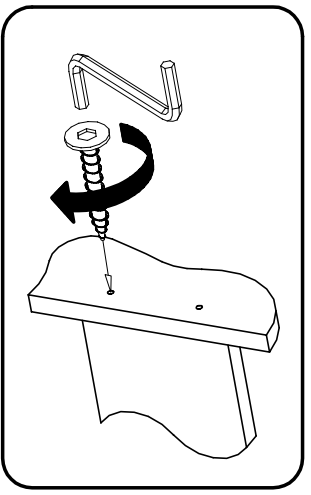
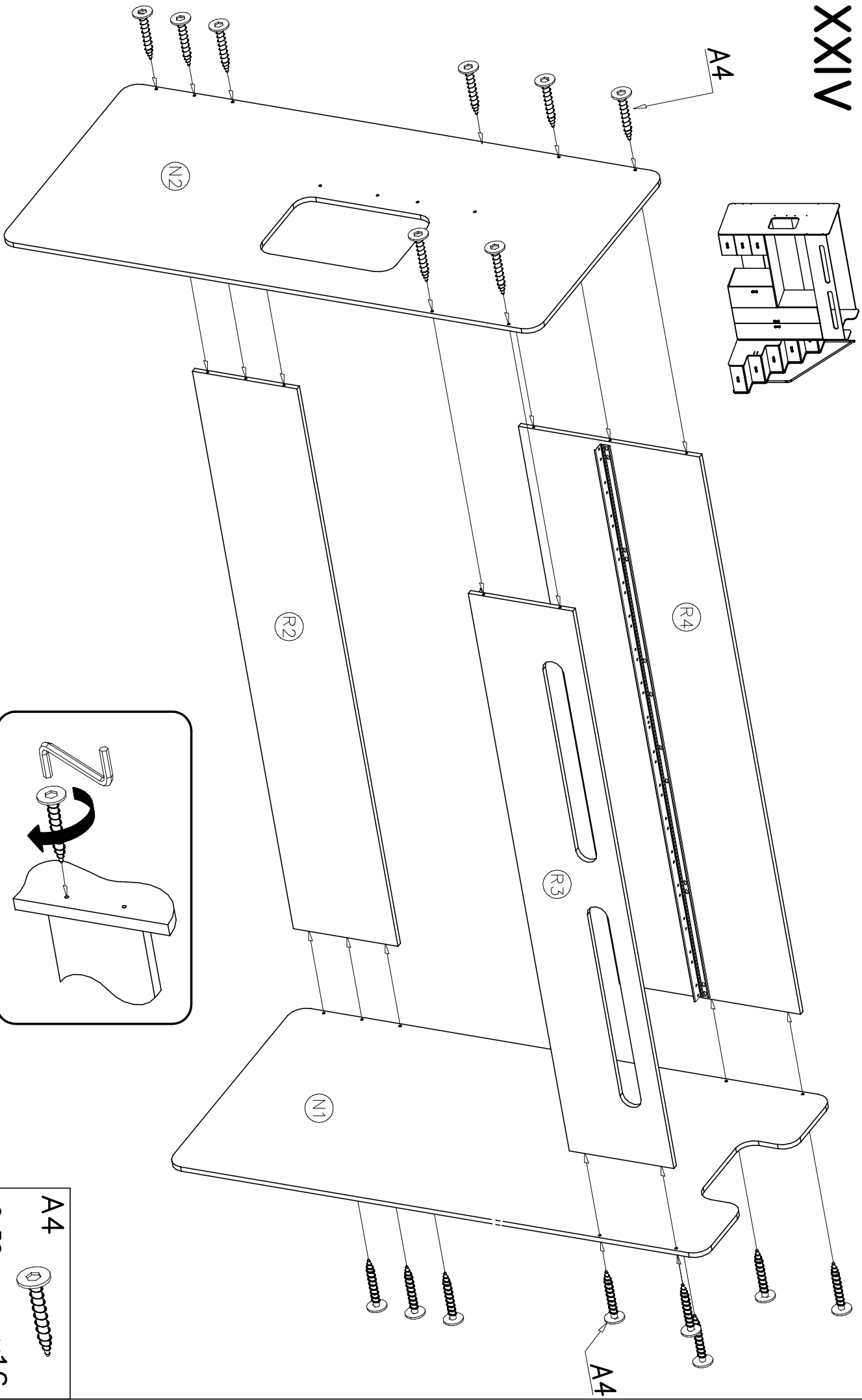
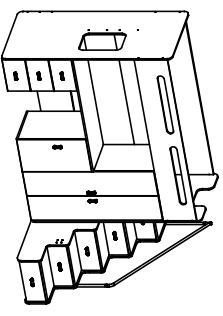
XXIV



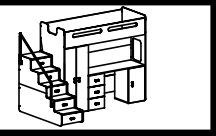
A4
6x50
x16



XXIV

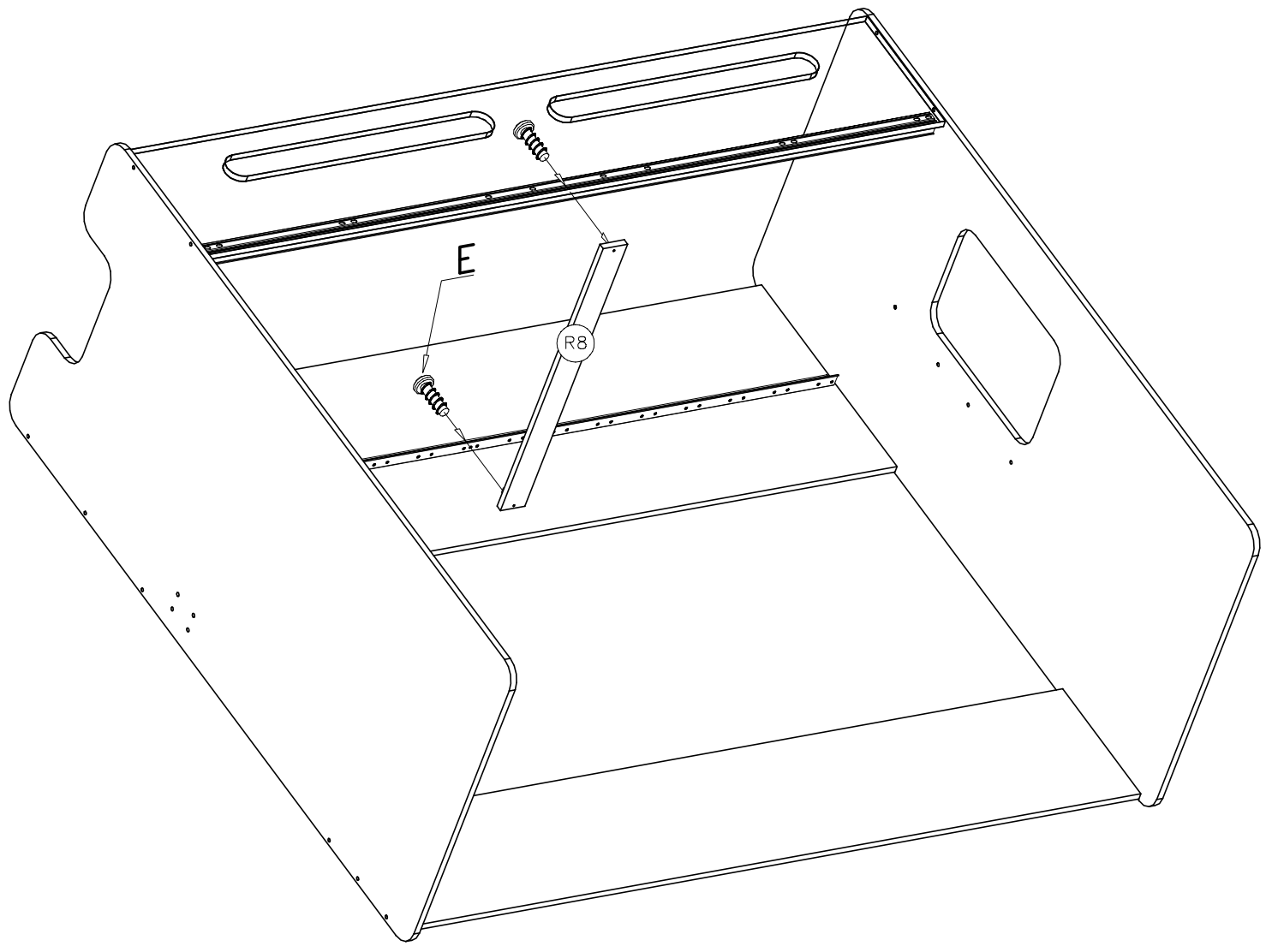
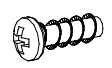


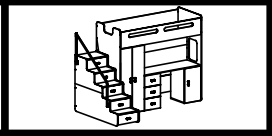
A4
6x50
x16



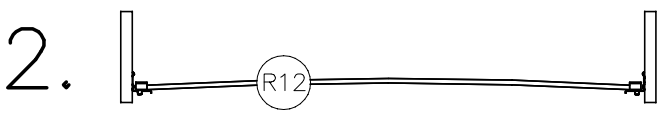
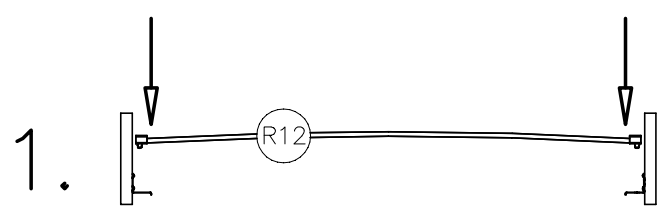
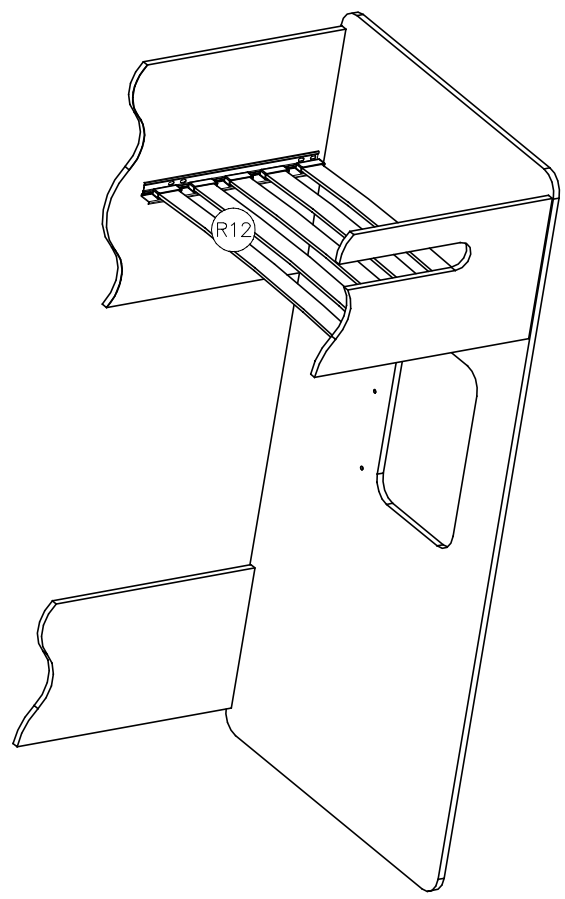
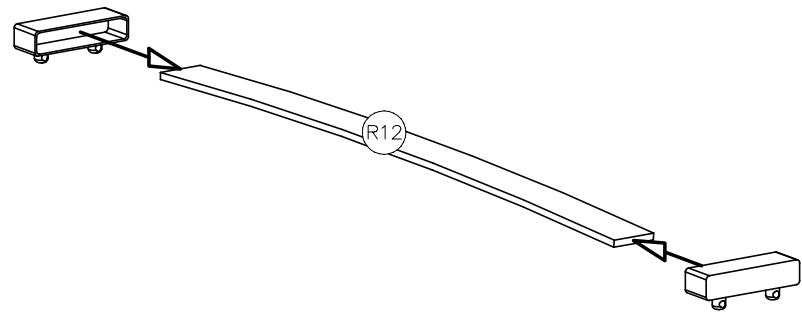
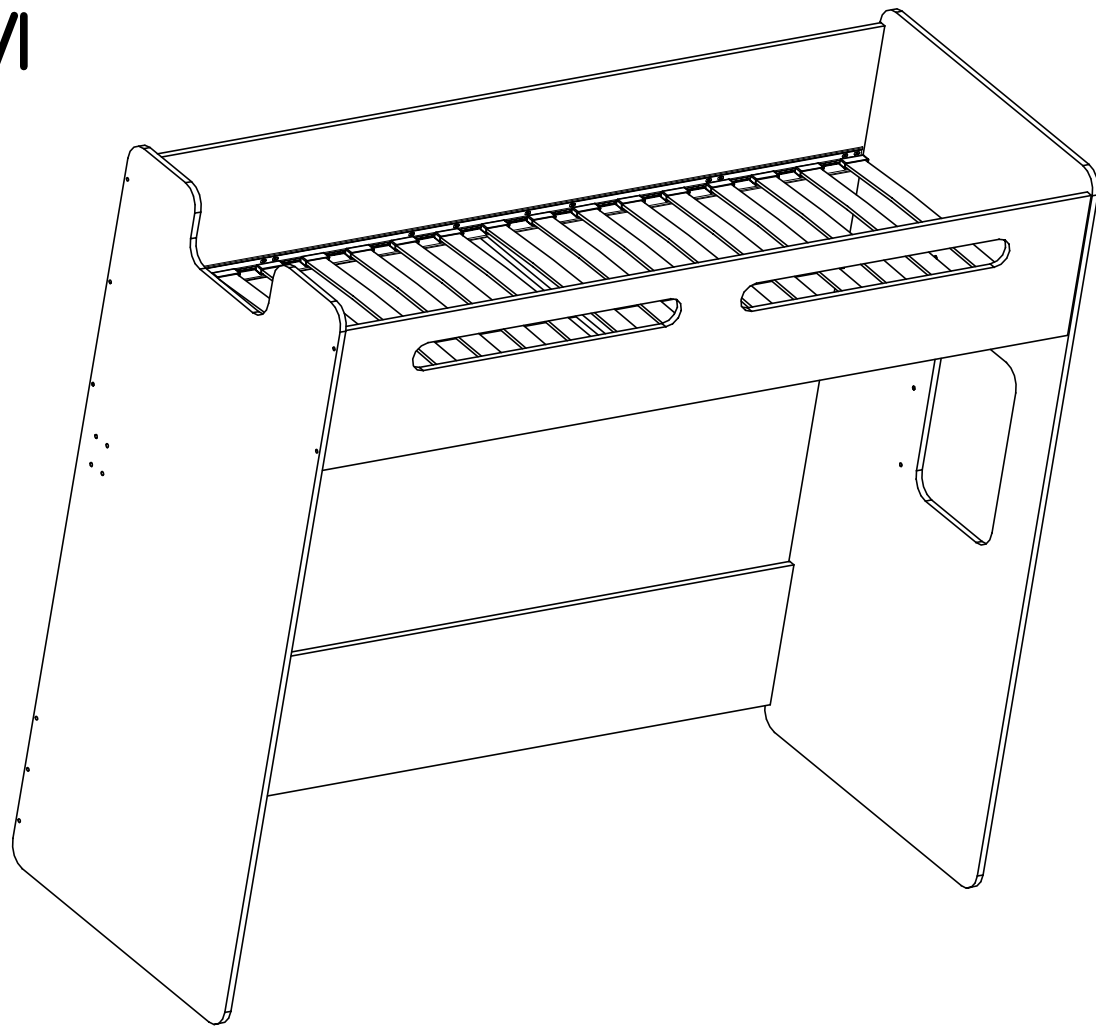
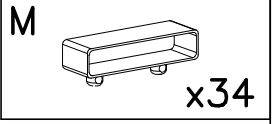
XXV

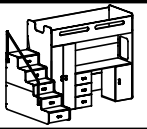
E
6x13 x2





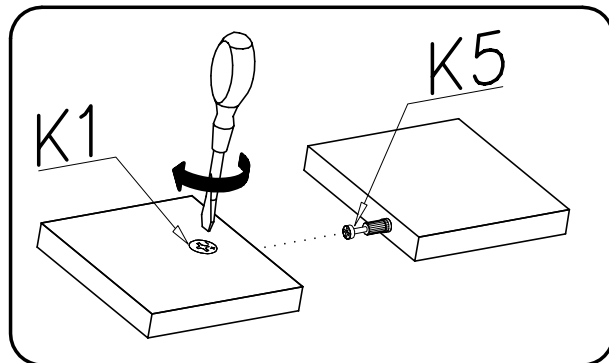
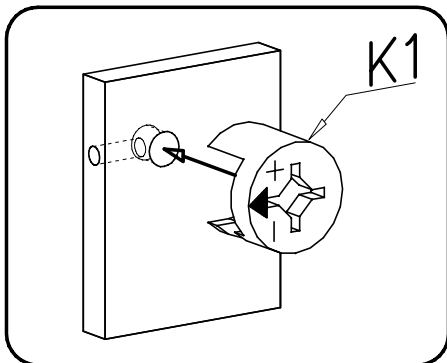
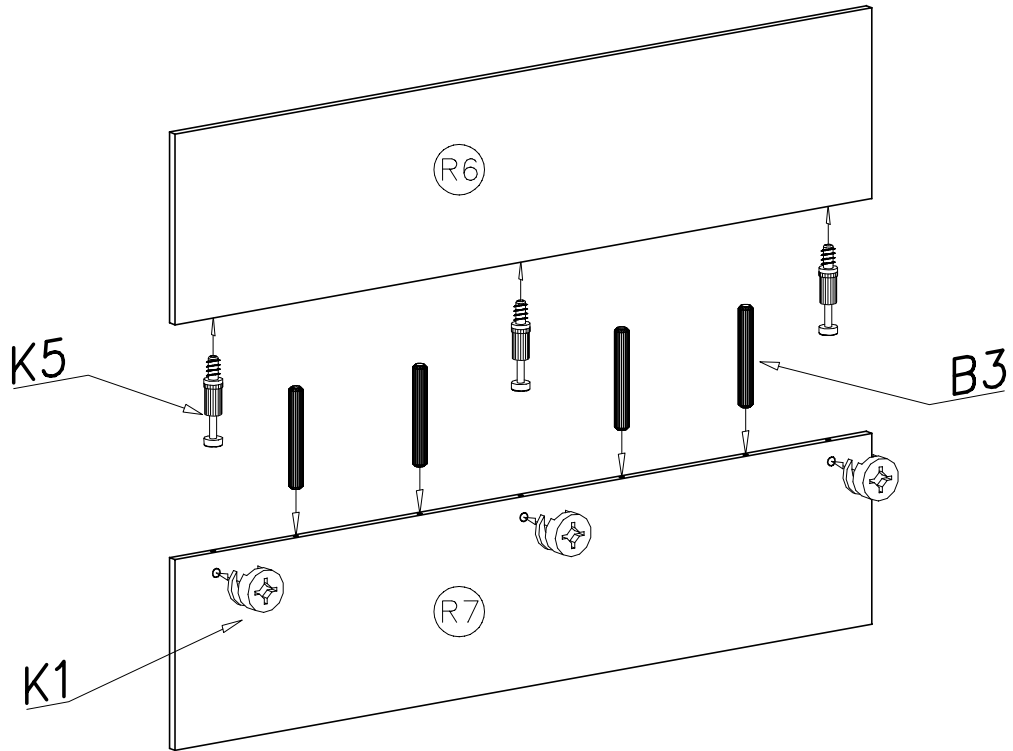
XXVI

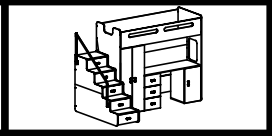




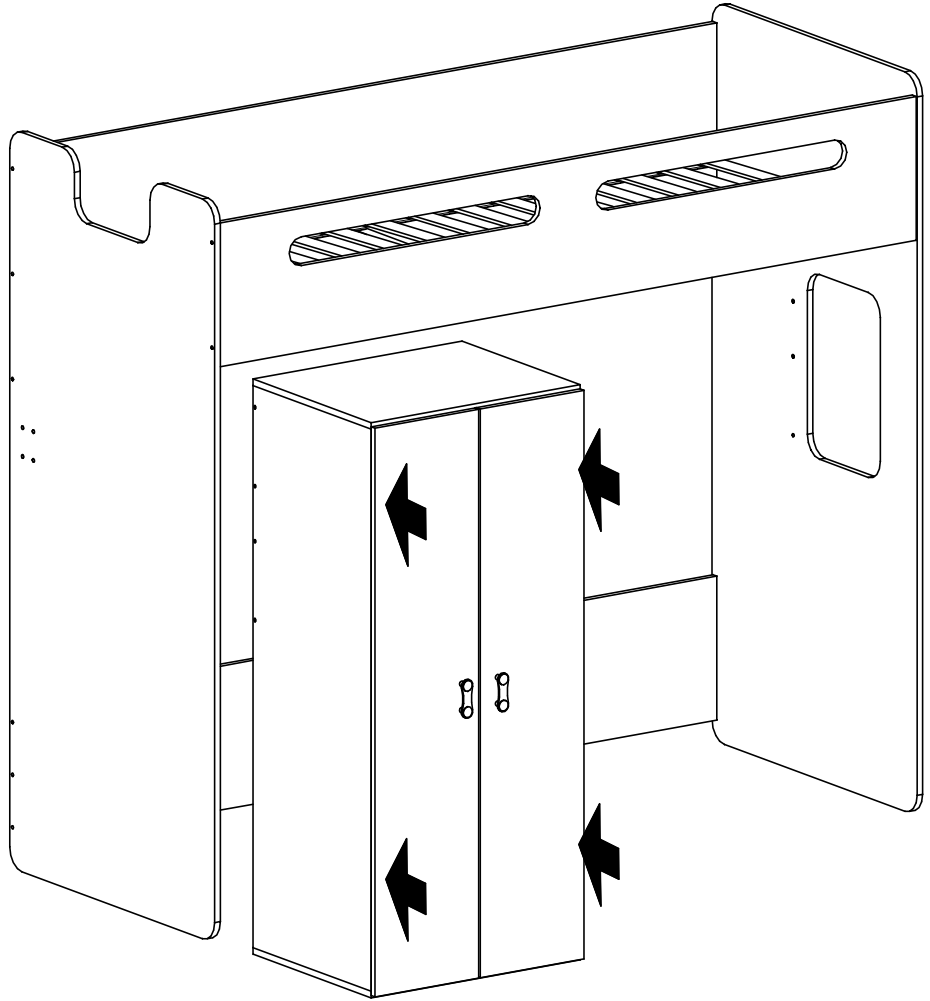
XXVII

I7 ø18 3x		K5 3x		K1 3x		B3 ø6x50 x4	
-----------------	--	----------	--	----------	--	-------------------	--

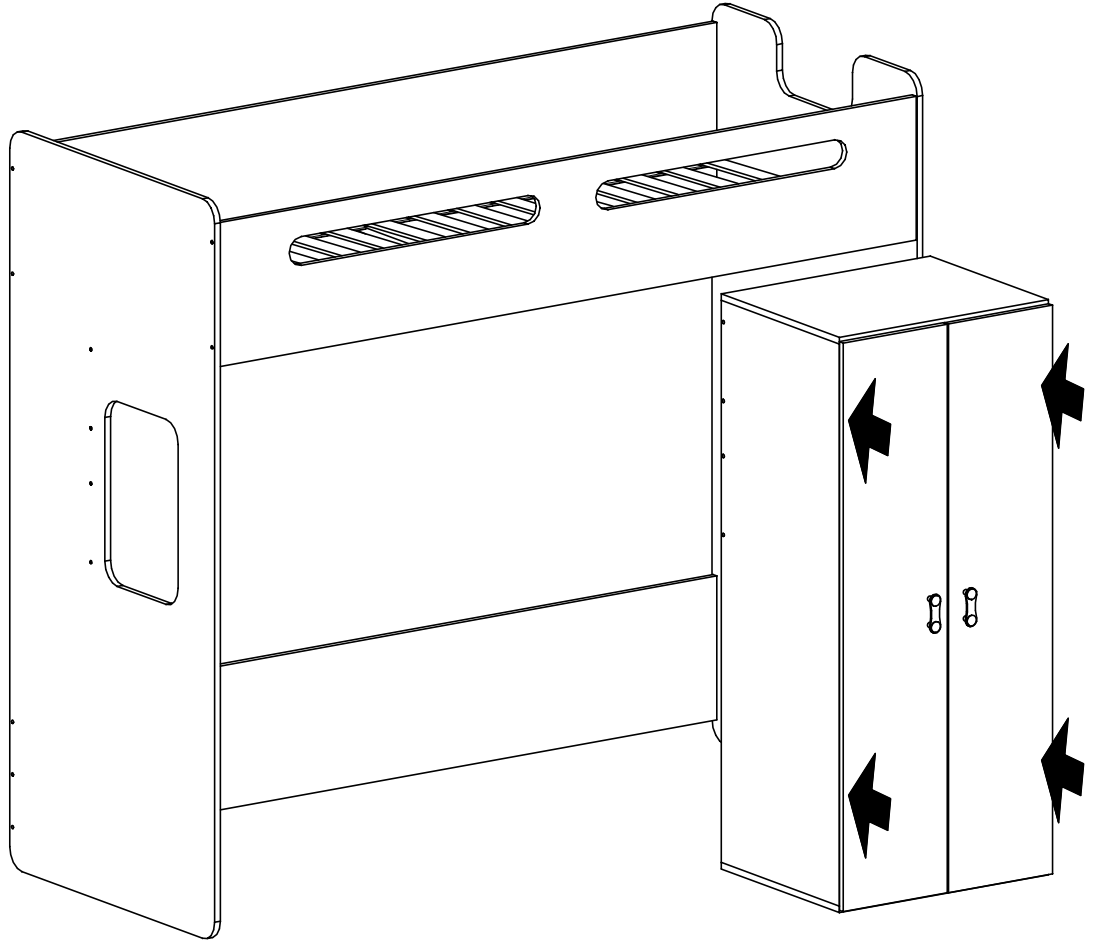


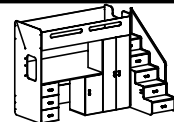


XXVIII

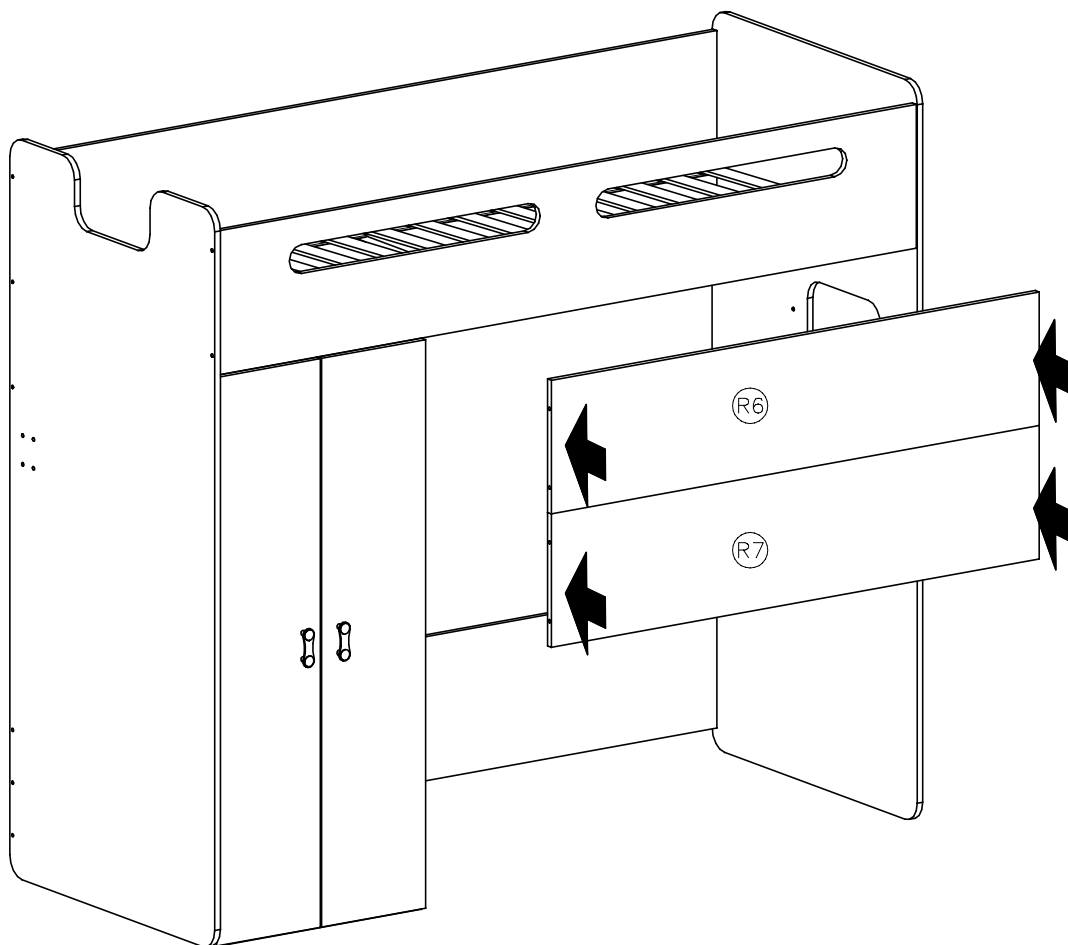


XXVIII

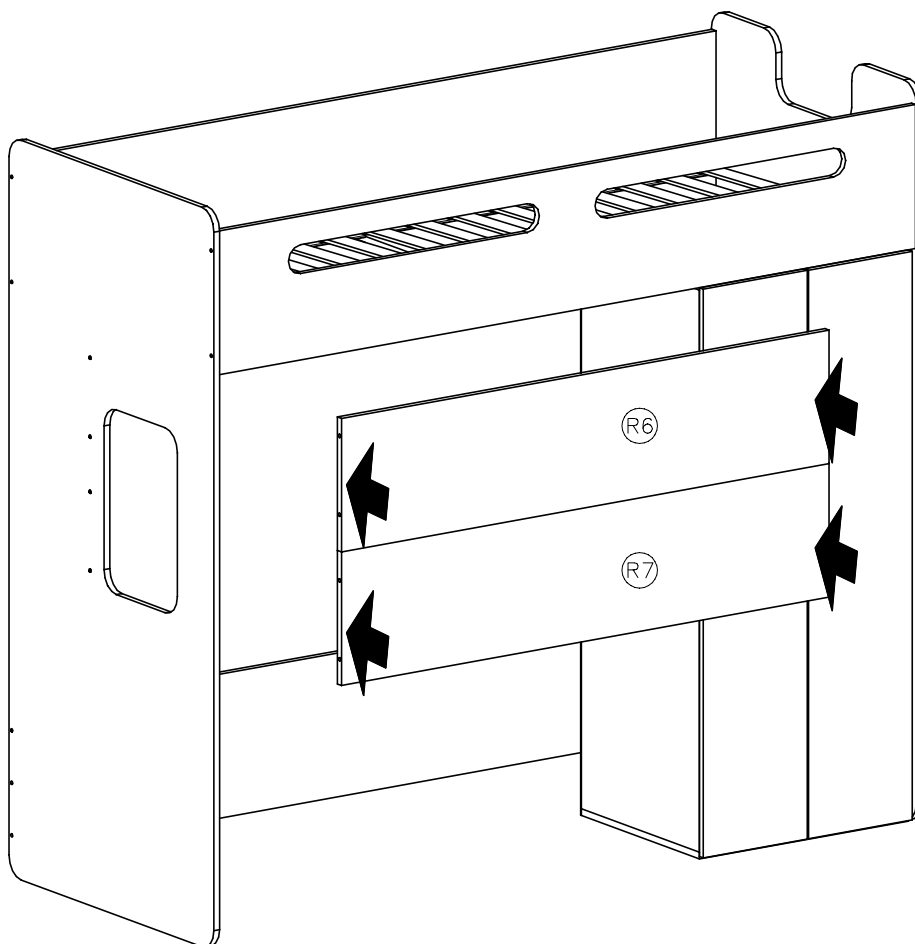


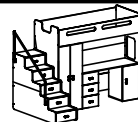


XXIX

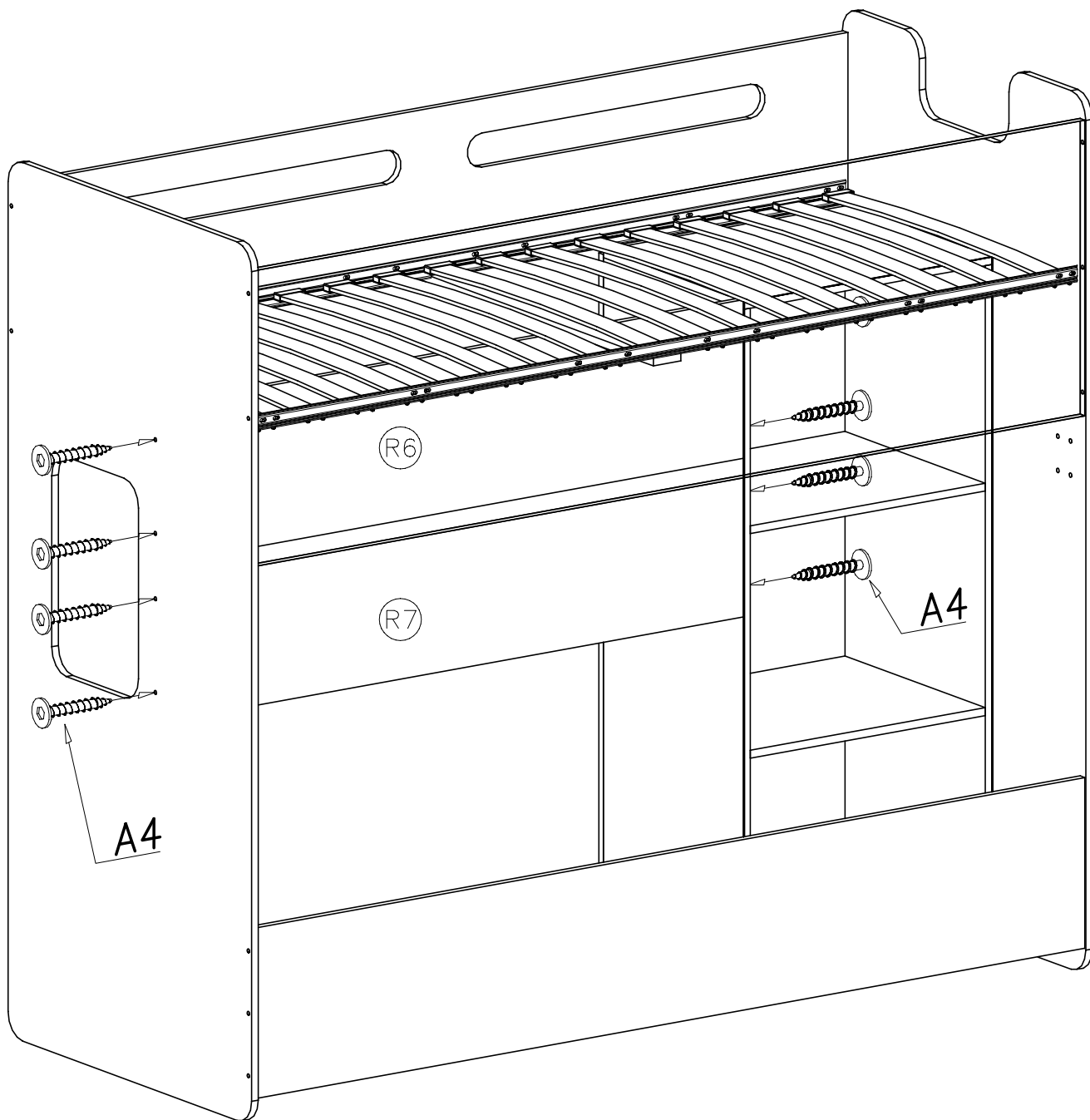


XXIX

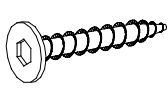




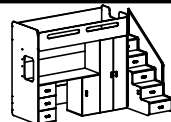
XXX



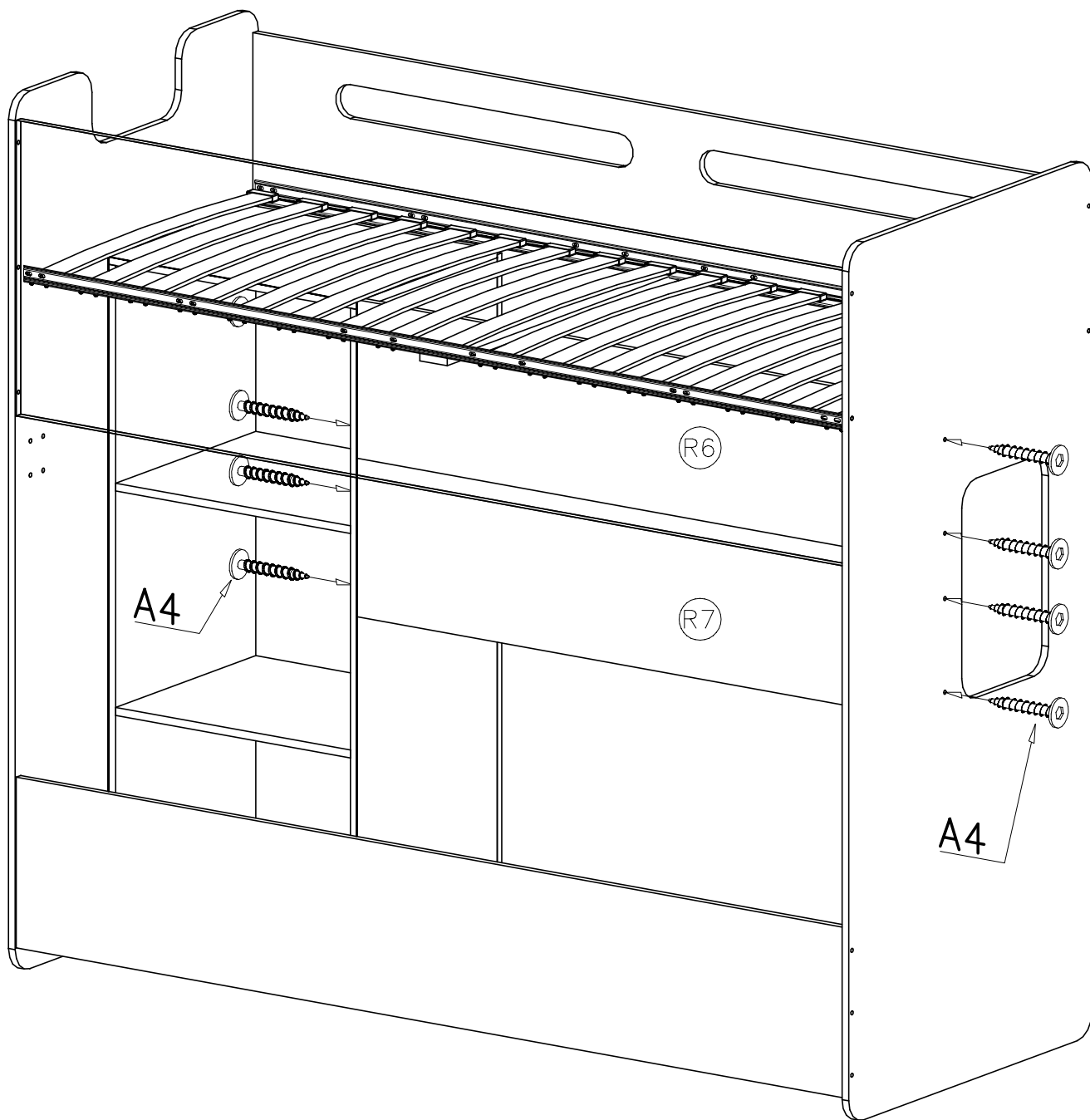
A4




6x50 x8



XXX

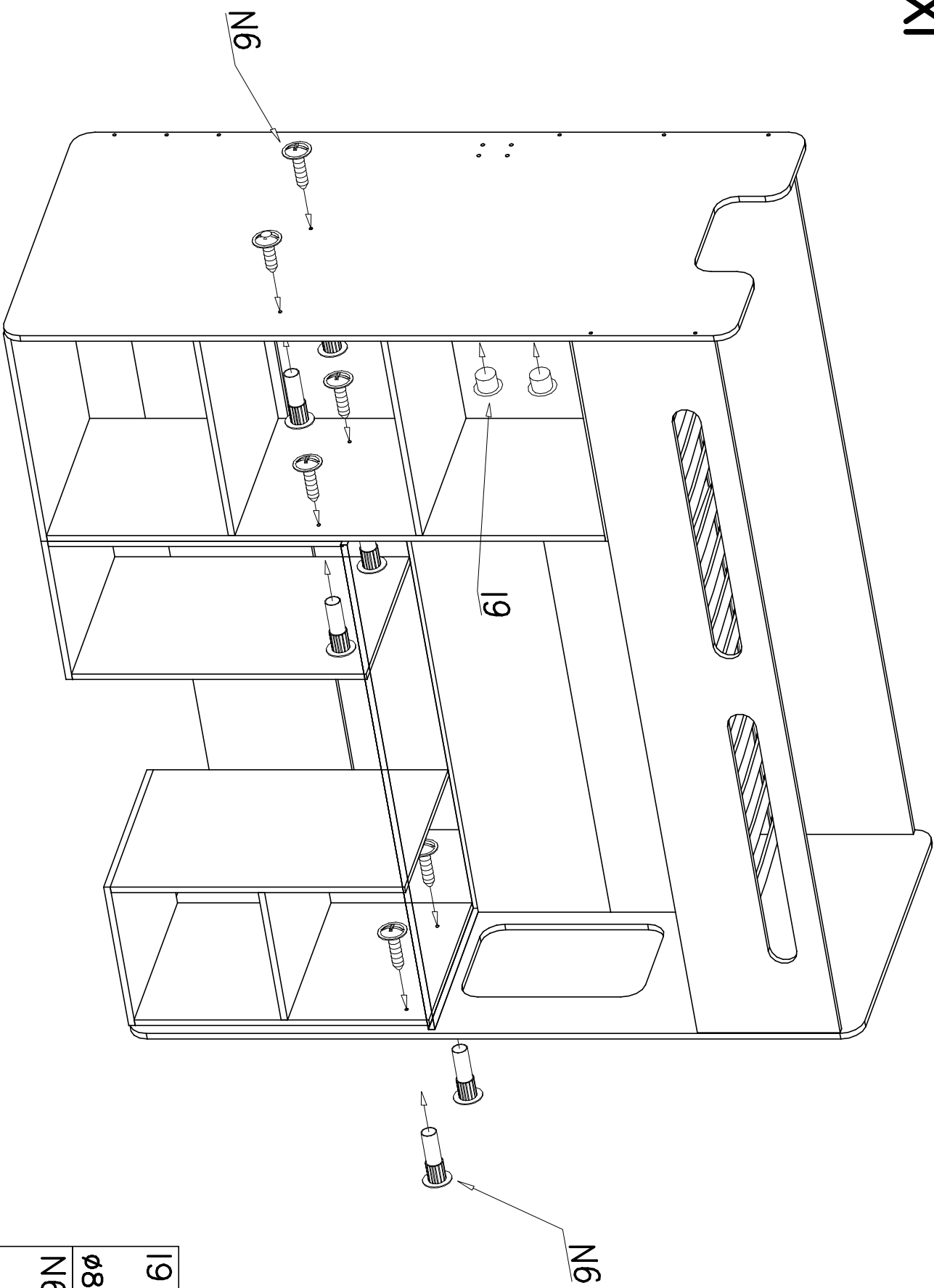


A4

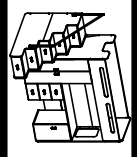


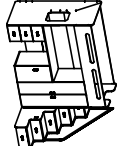
6x50 x8

XXXXI

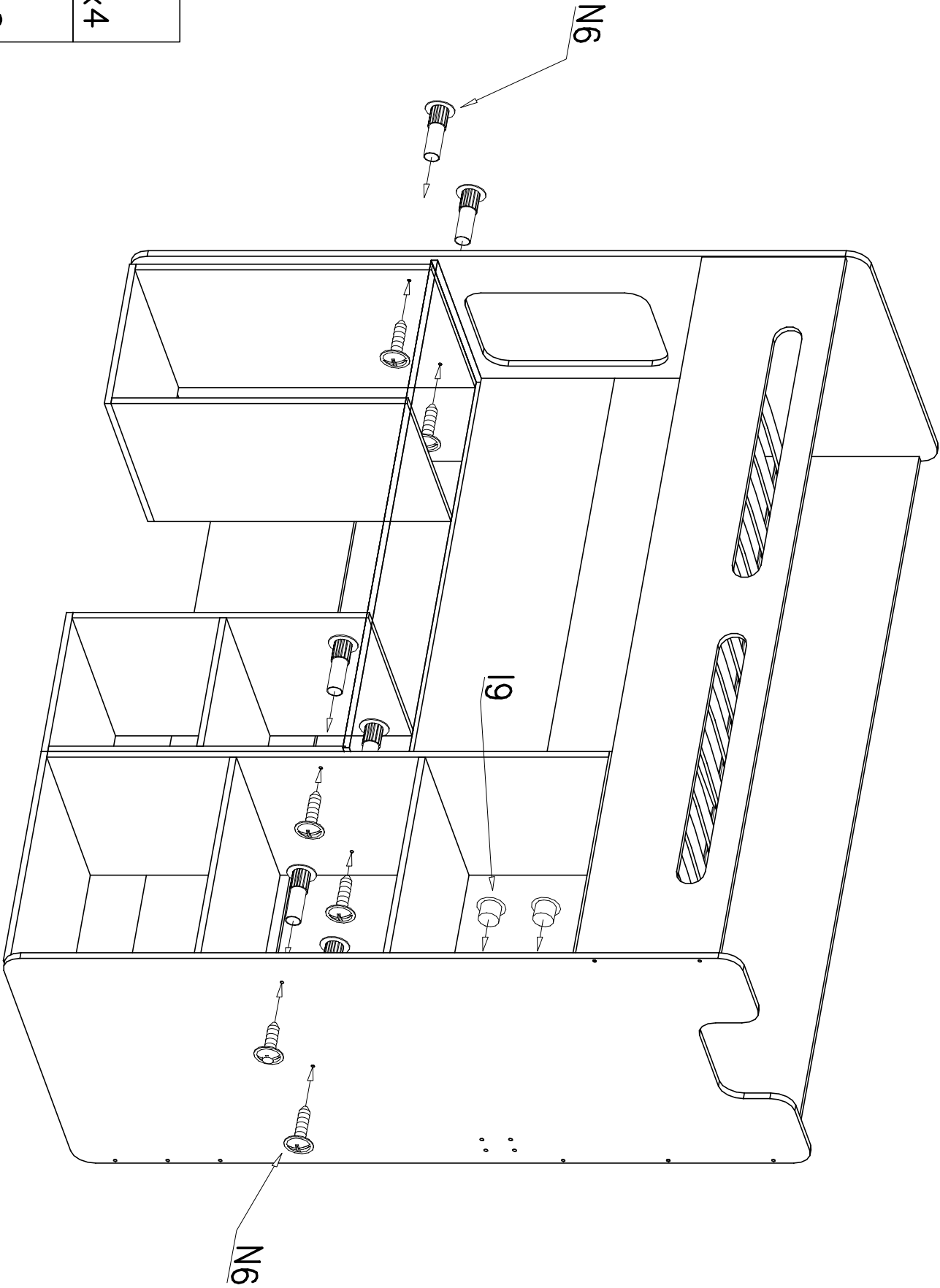


19	Ø8	N6	8x30
x4			x6

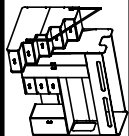
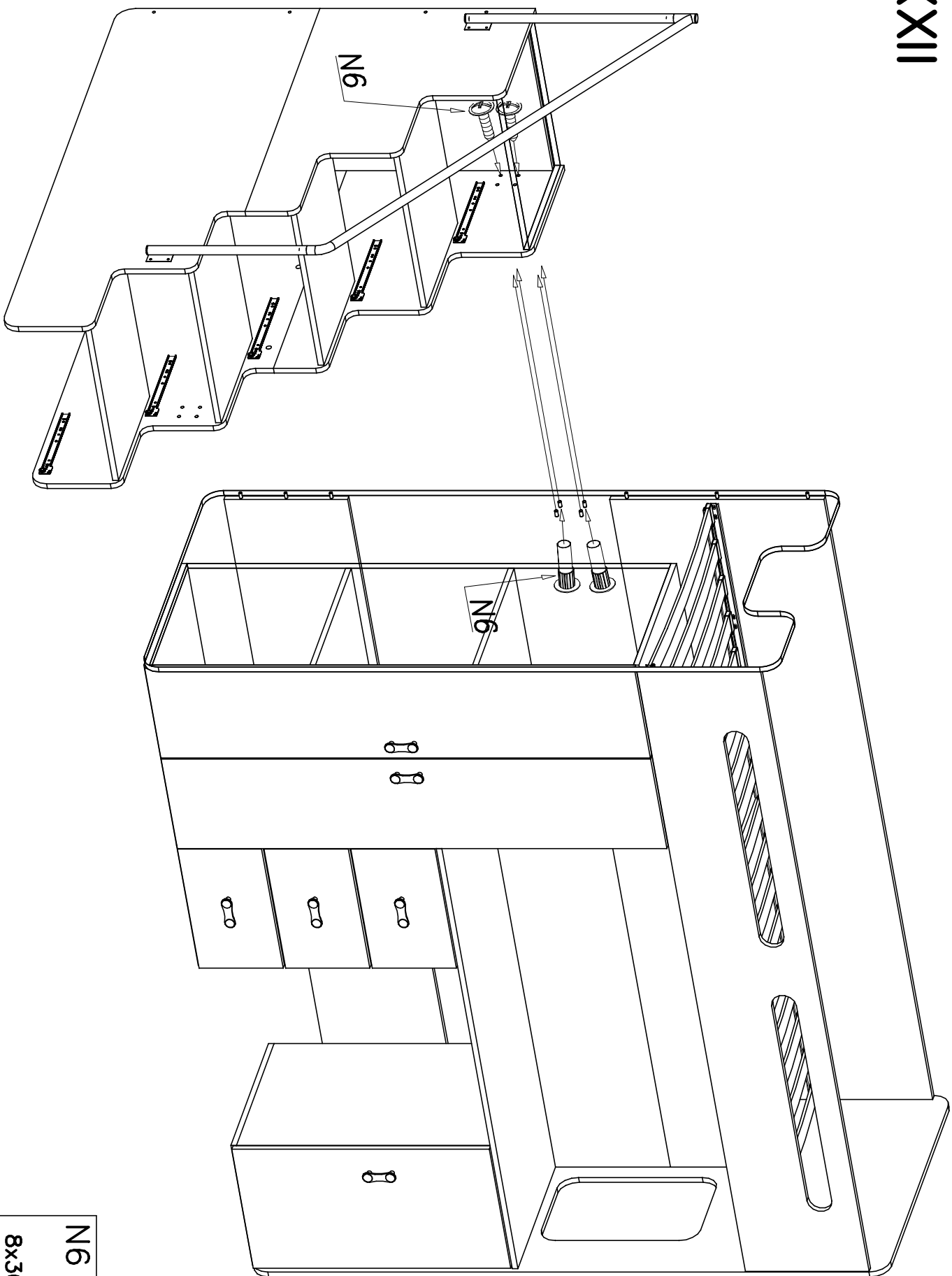




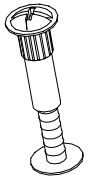
XXXXI

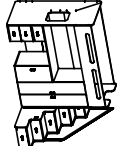


19		x4
N6		x6
ø8		
8x30		

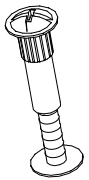
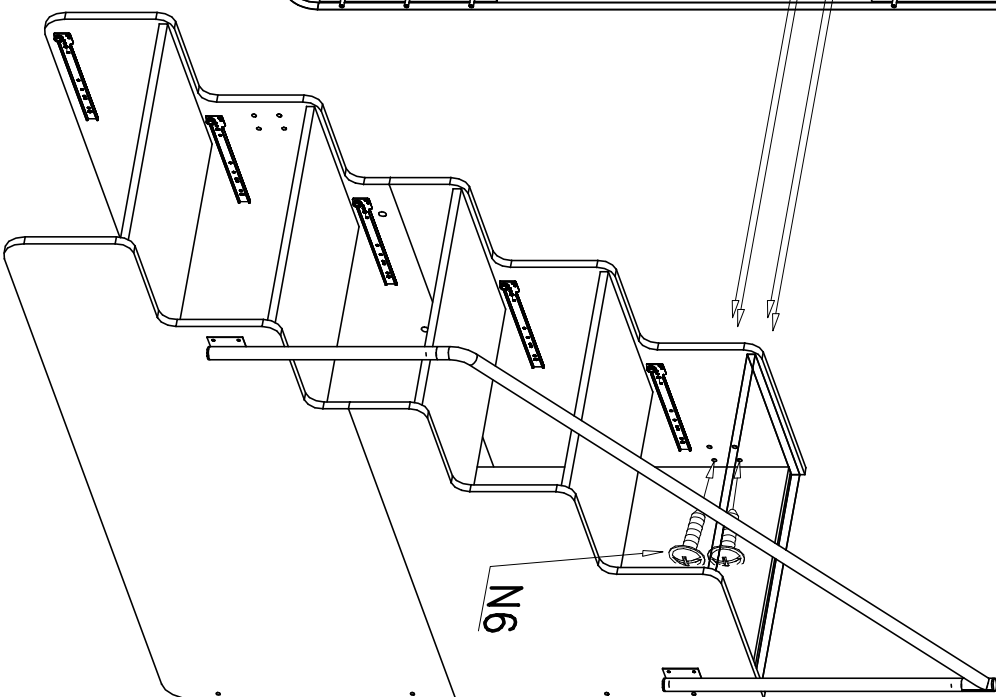
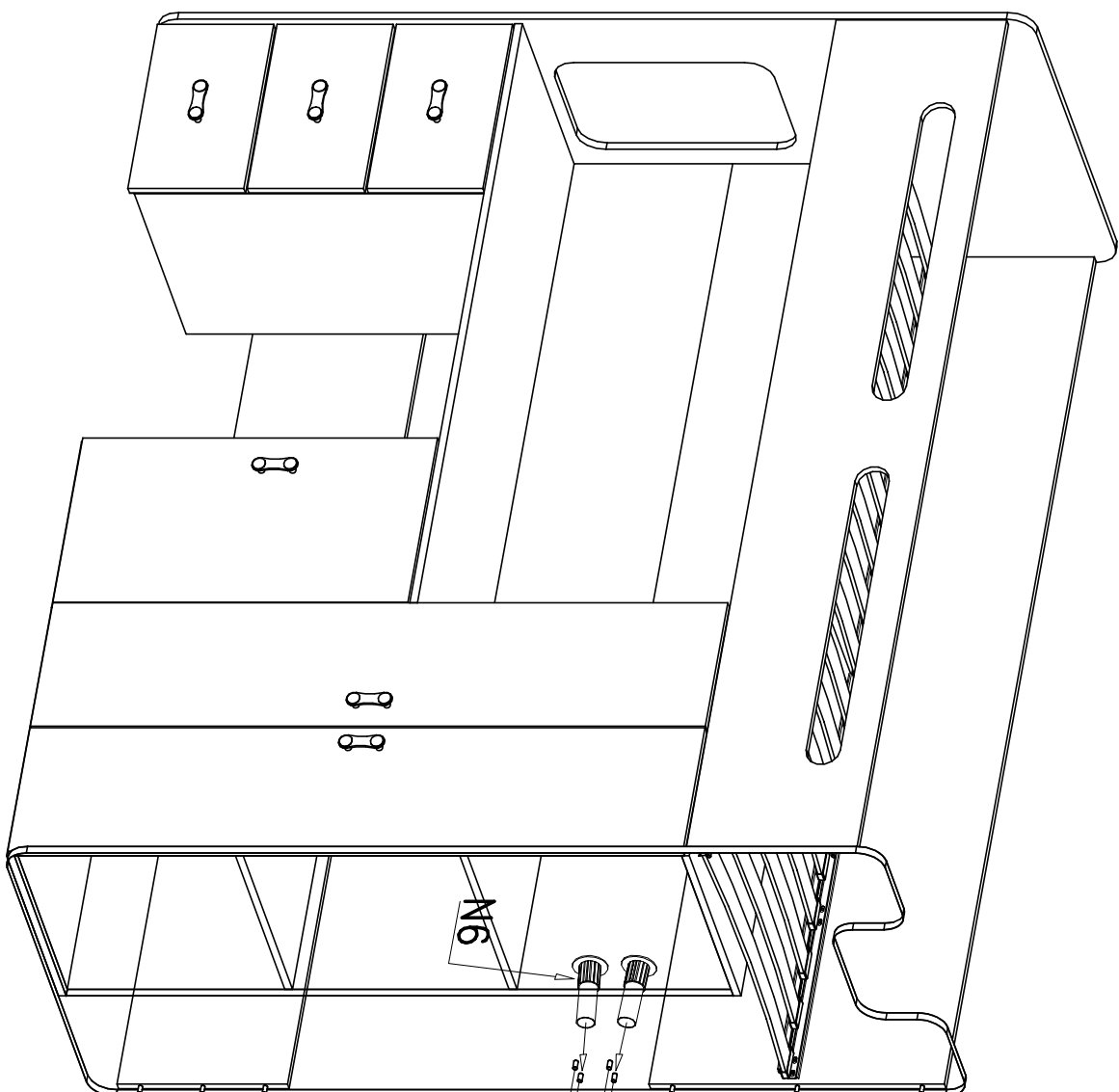


N6
8x30
X4





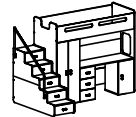
XXXXII



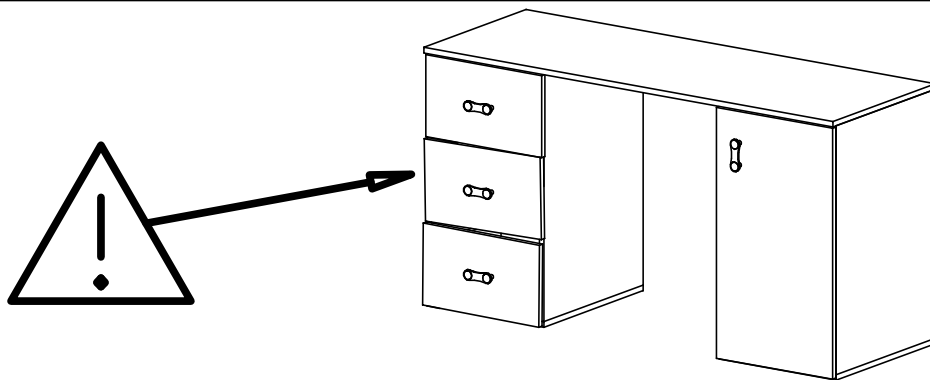
N6

8x30

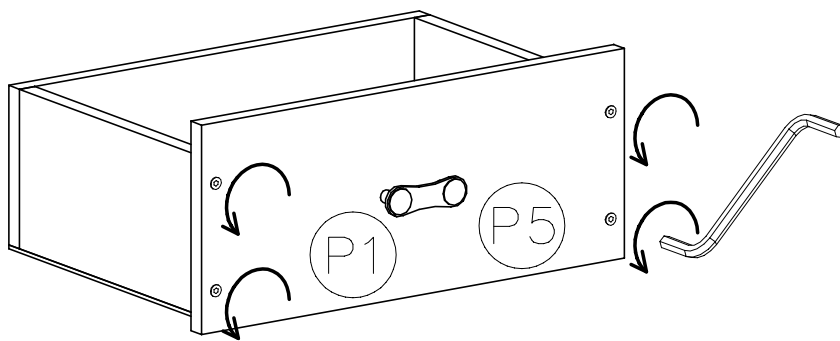
X4



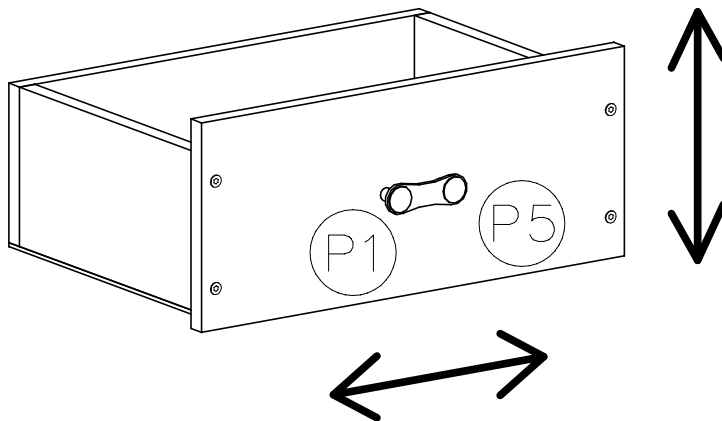
XXXIII



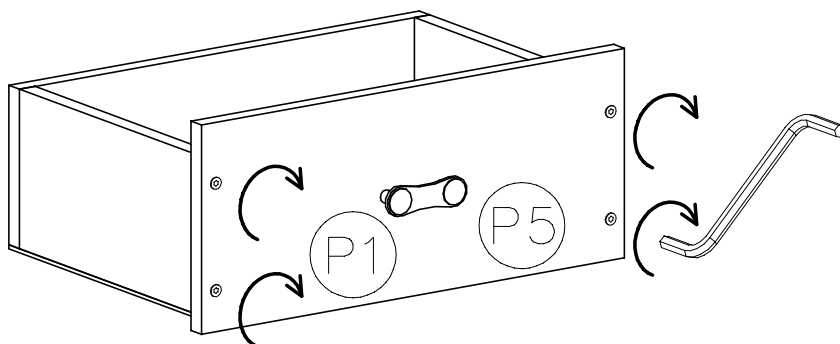
a.

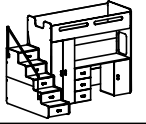


b.



c.





XXXIV

