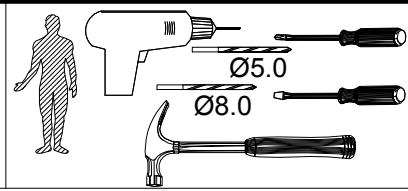
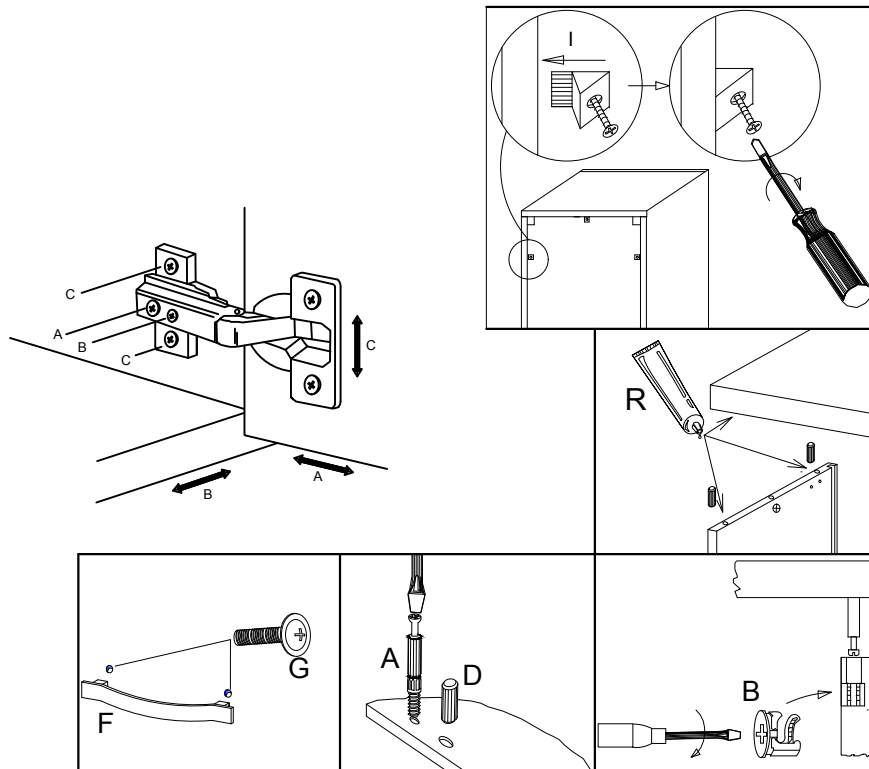
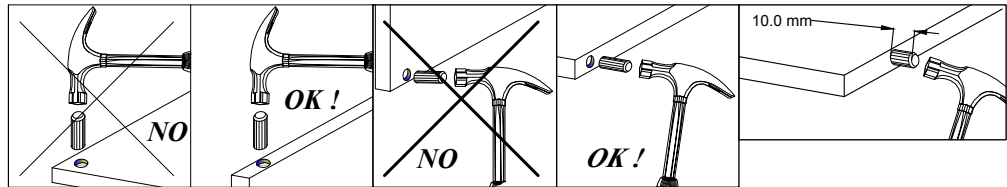
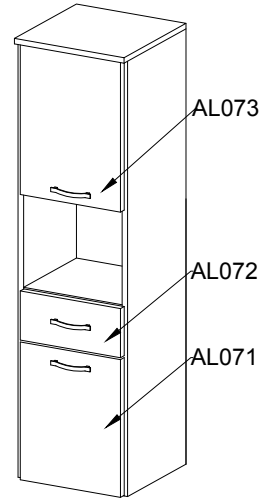
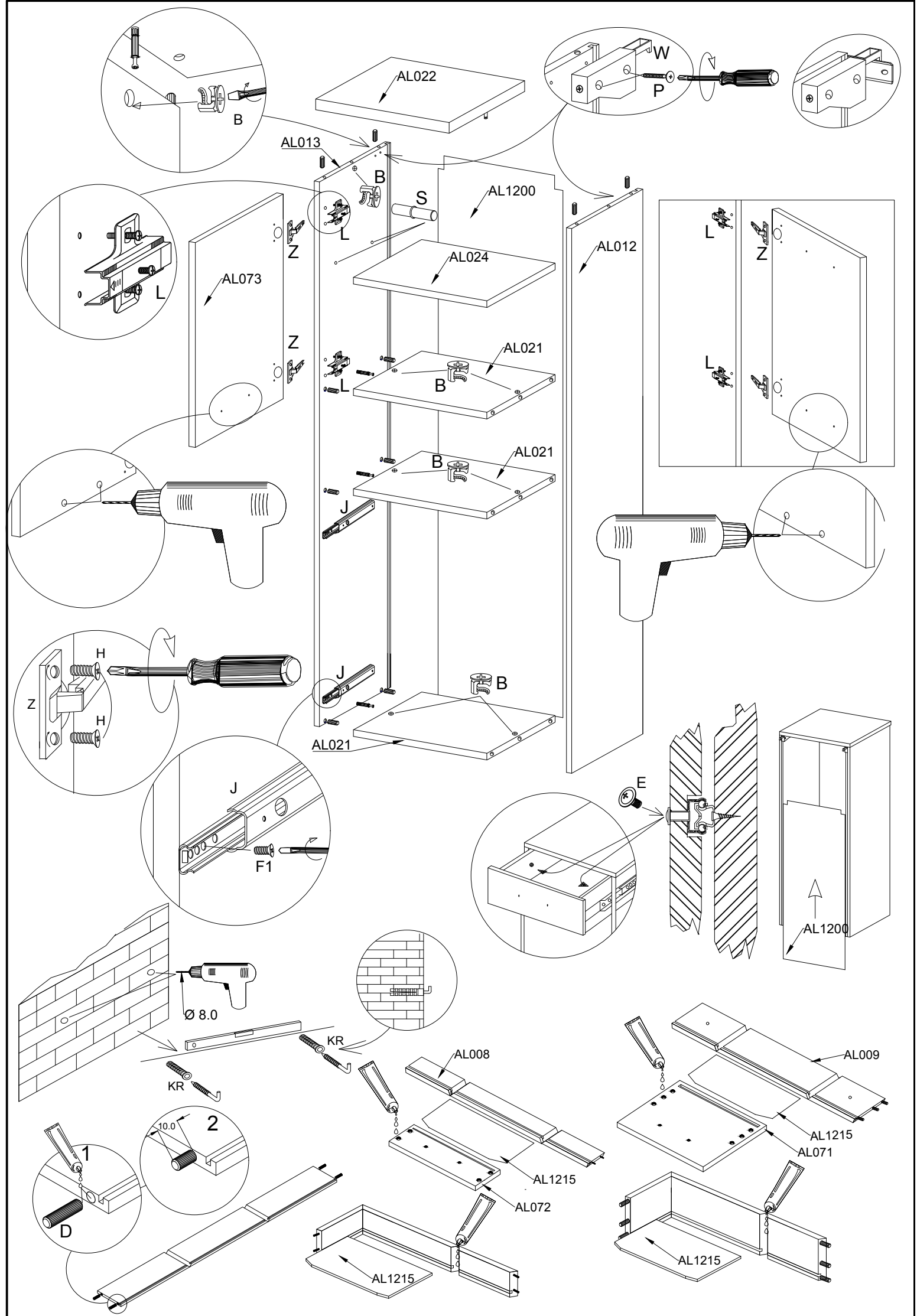


# 002 F/H

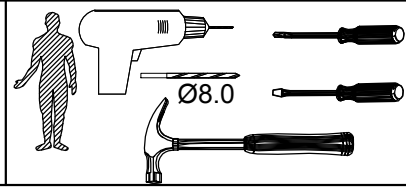


		M4.0X20	8.0X30					Ø 8.0
W	F	G	D	A	B	R	I	KR
2	3	6	26	8	8	1	6	2
4.0X30	6.3x13		"0"		6.0x11	M4.0X8		
P	H	L	Z	S	F1	E	J	
4	4	2	2	4	8	4	4	

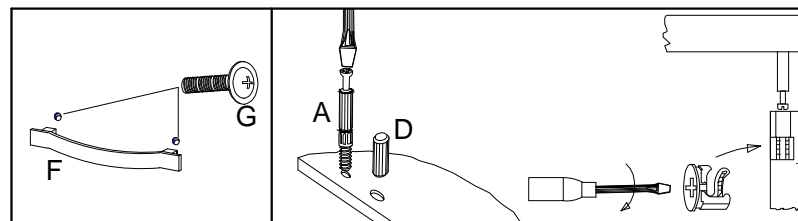
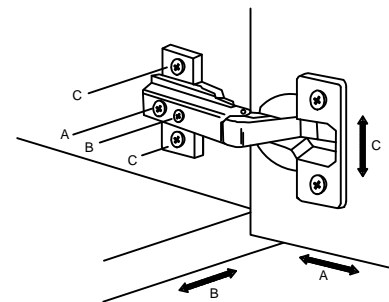
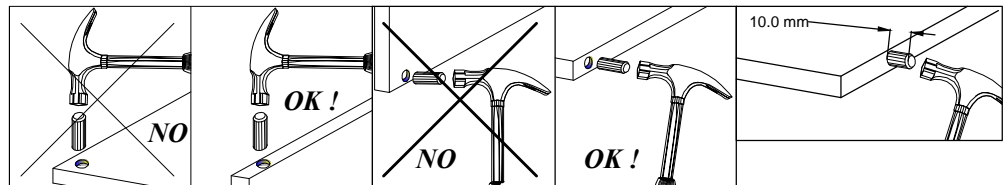
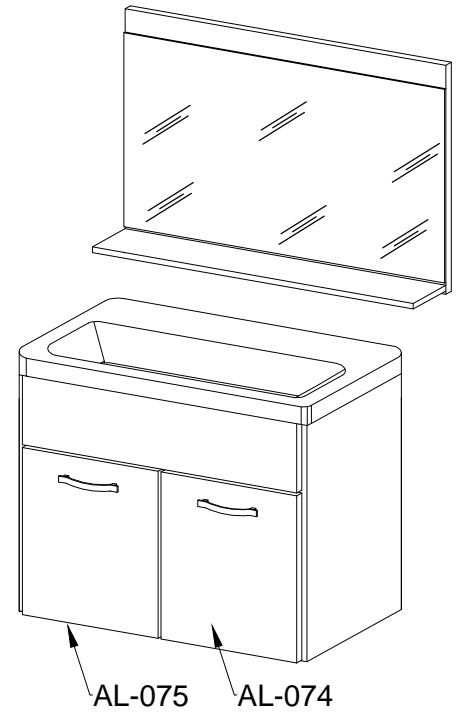


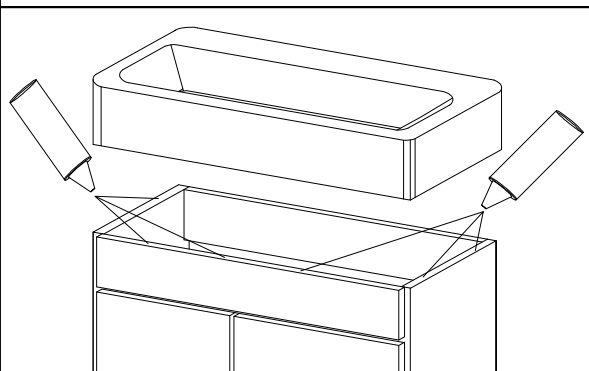
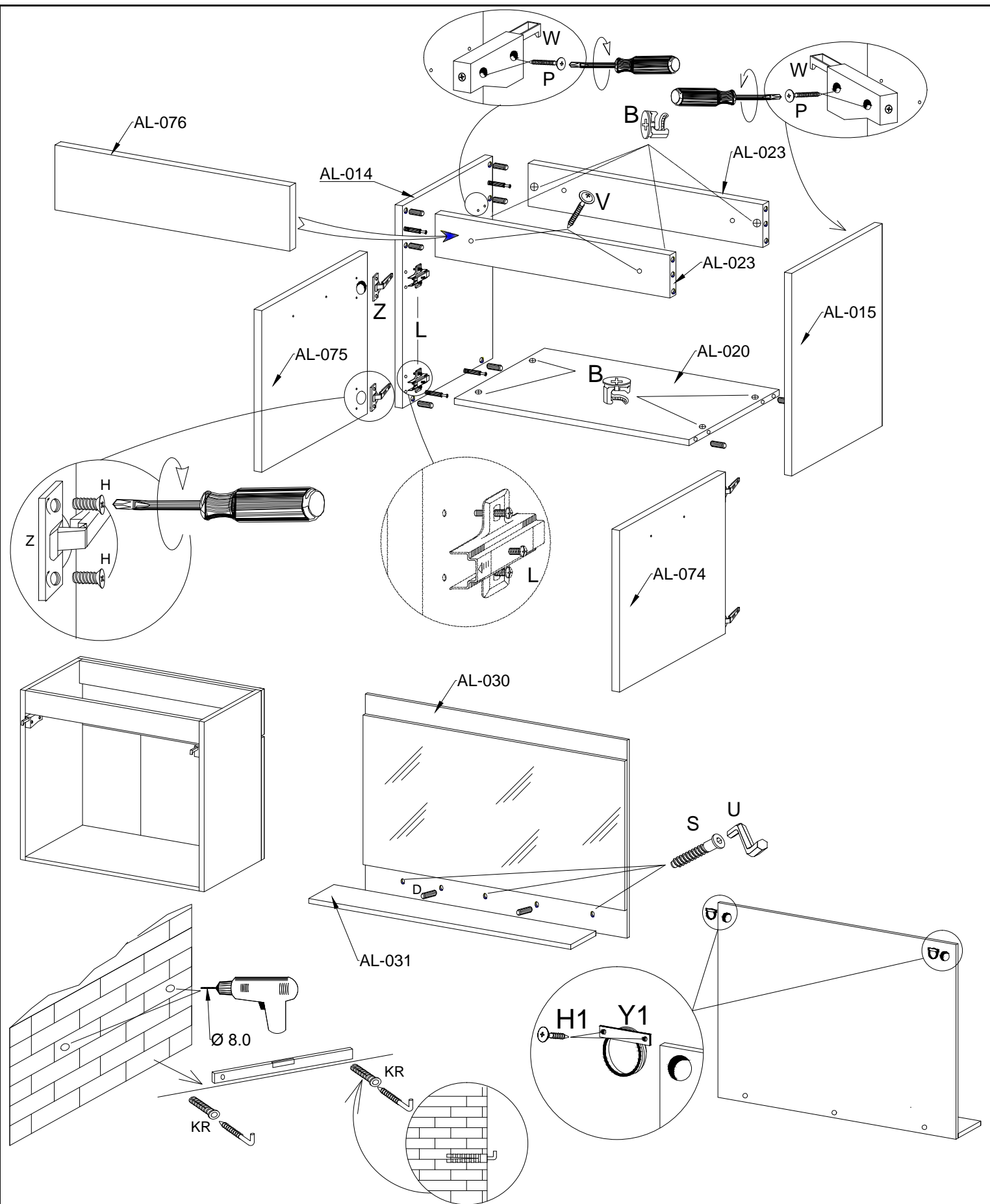


# 010/030 - H

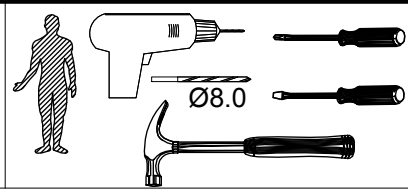


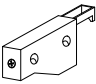


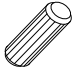
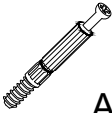





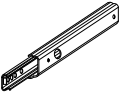
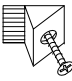

		M4.0X20	8.0X30		
W	F	G	D	A	B
2	2	4	14	8	8
4.0X30	6.3x13		"0"	4.0x25	Ø 8.0
P	H	L	Z	V	KR
4	8	4	4	2	4
			3.0X15		
S	U	A	H		
3	1	2	4		





# 014 F/H



 W	 F	M4.0X20  G	8.0X30  D	 A	 B	 R
2	3	6	24	4	4	1
4.0X30	6.0x11	M4.0X8			Ø 8.0	
 P	 F1	 E	 J	 I	 KR	
4	12	6	6	4	2	

