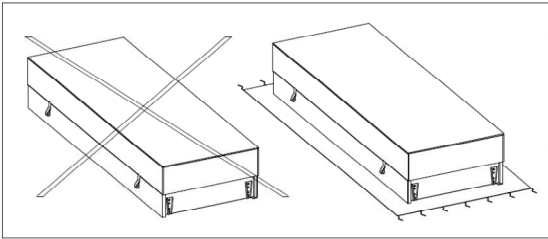
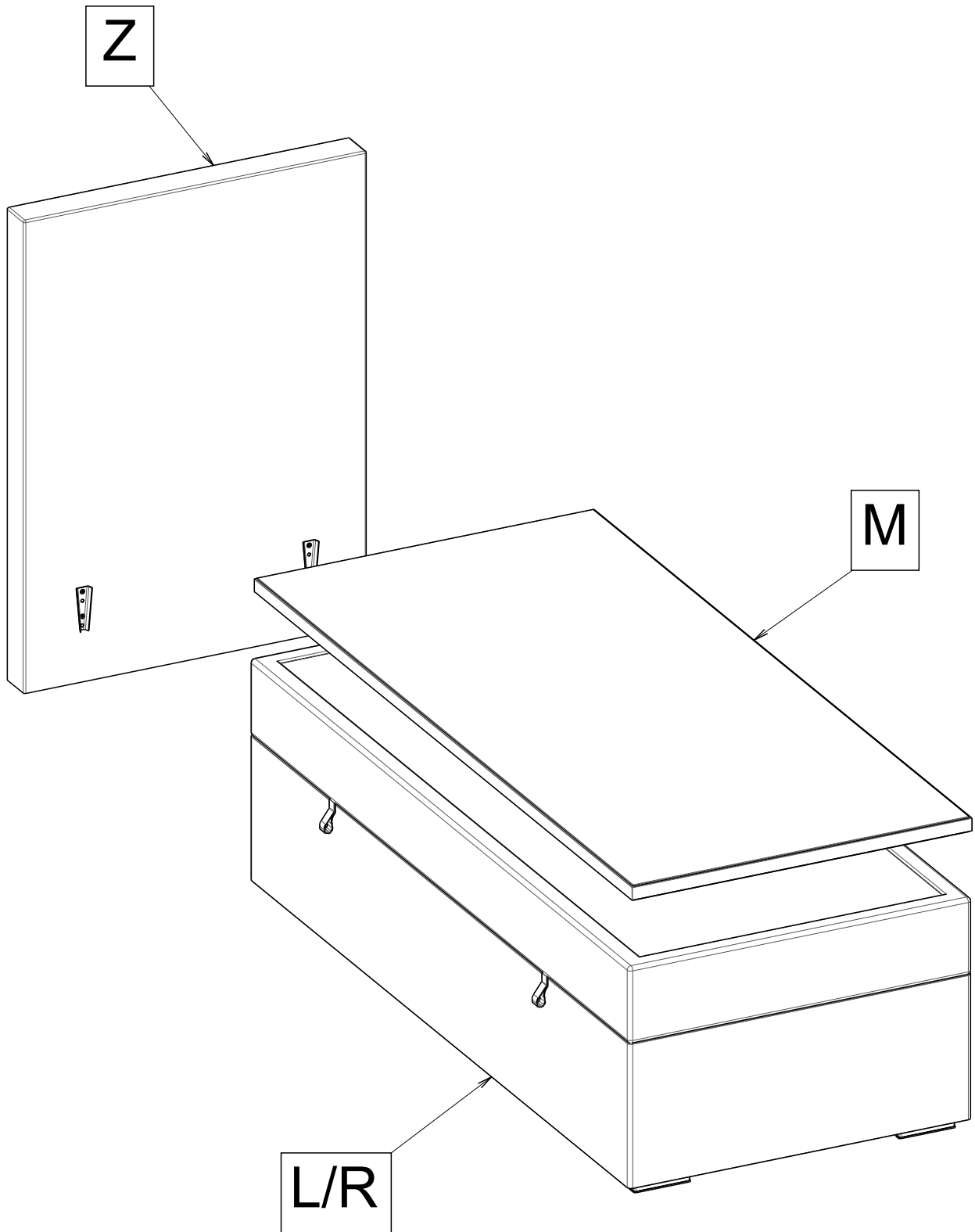


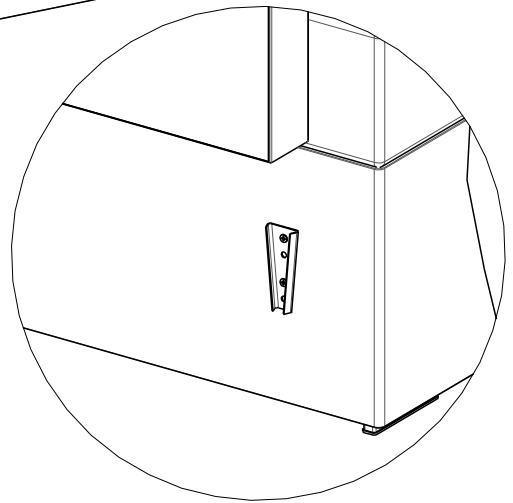
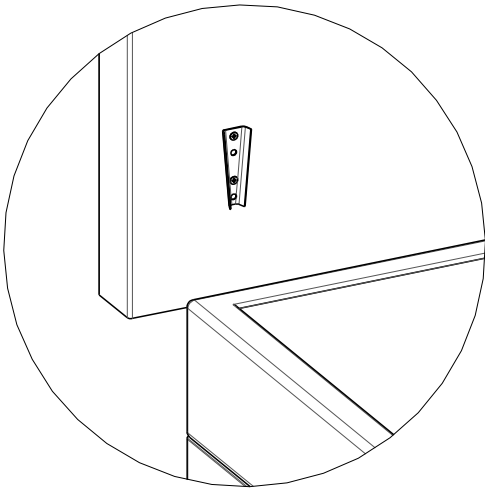
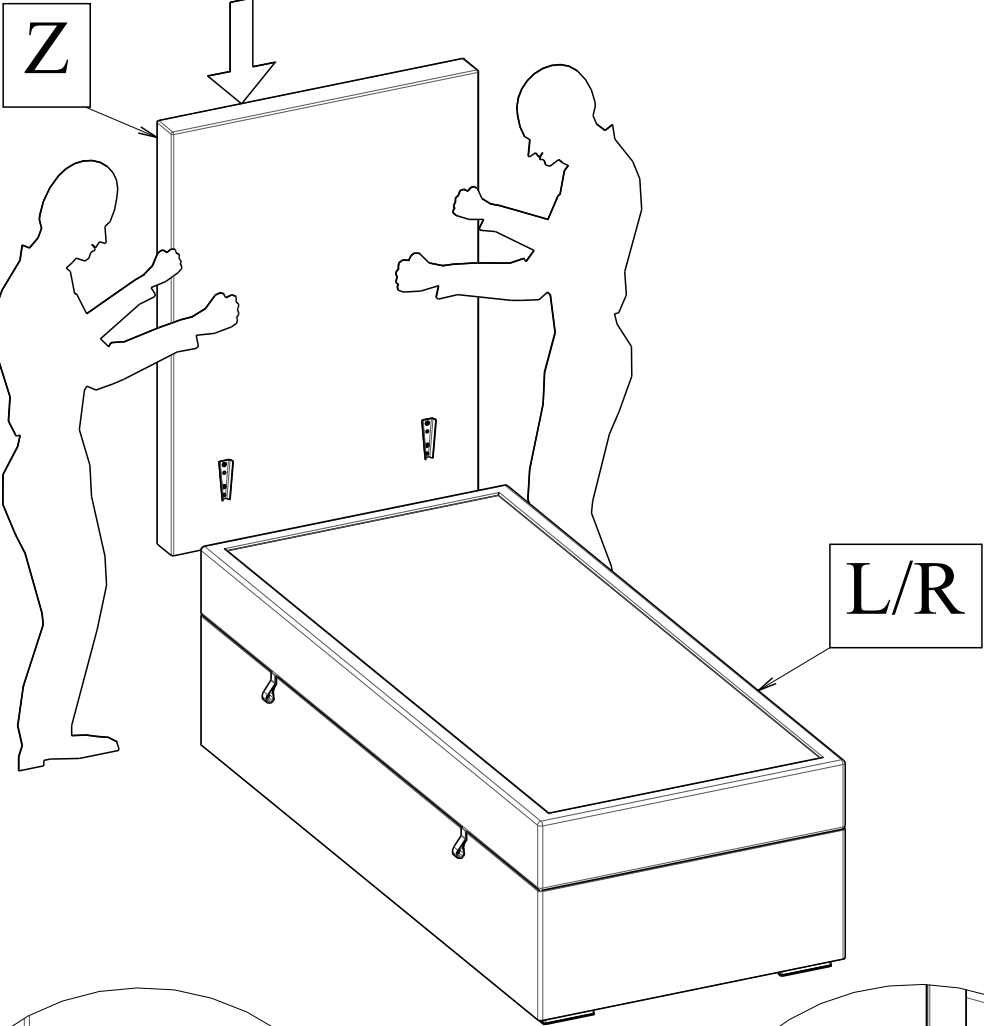
15min



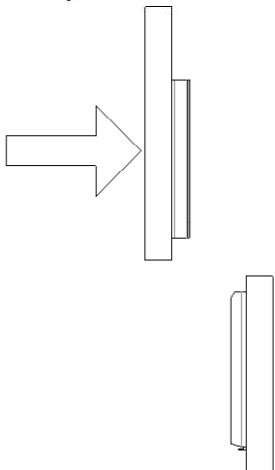
| | |
|-----|----|
| Z | 1x |
| M | 1x |
| L/R | 1x |



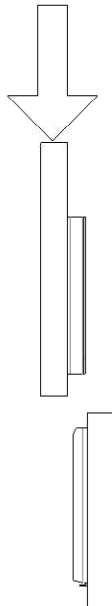
1



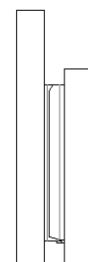
1)



2)



3)



2

