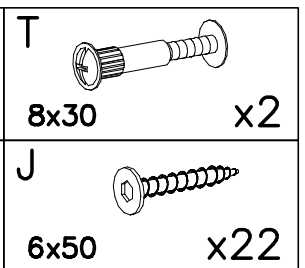
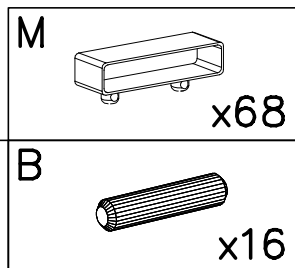
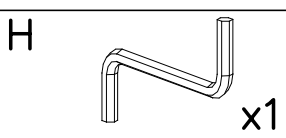
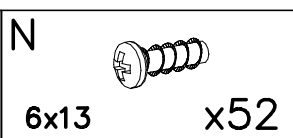
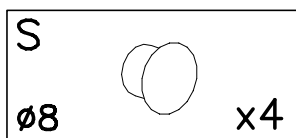
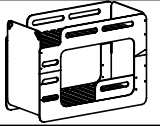


nr	
R1	1
R2	1
R3	1
R4	1
R5	4

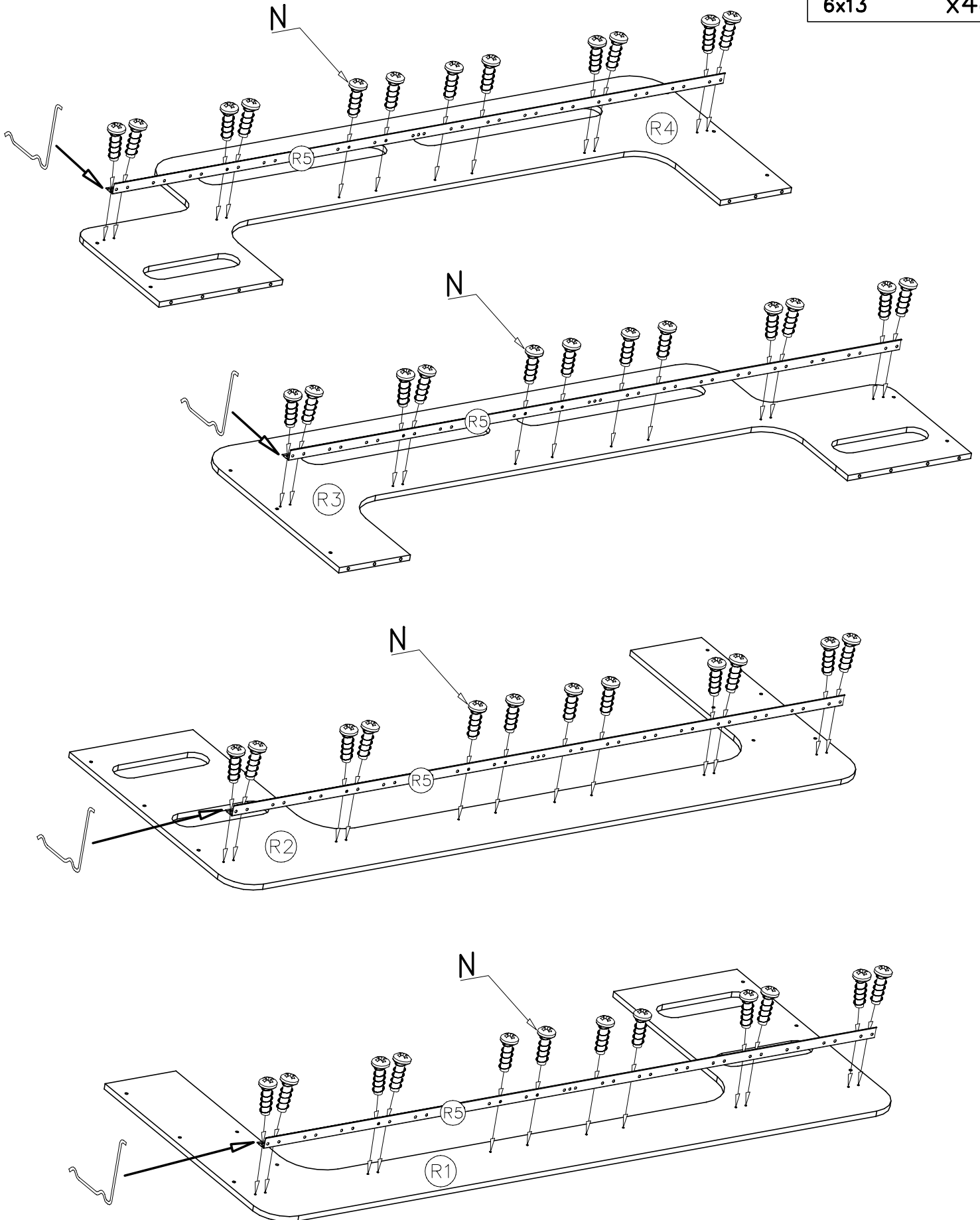
nr	
R6	1
R8	2
R12	34
N1	1
N2	1

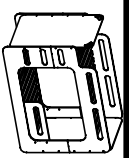




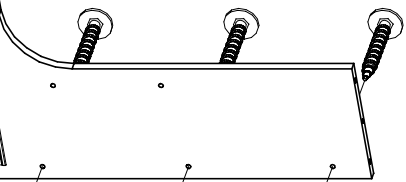
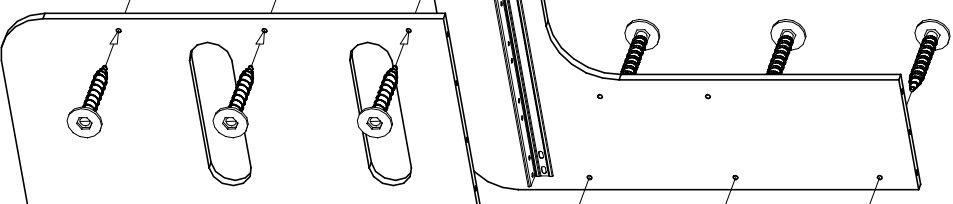
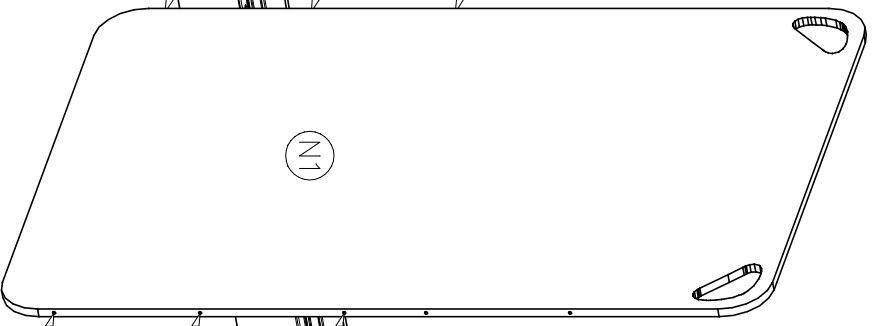
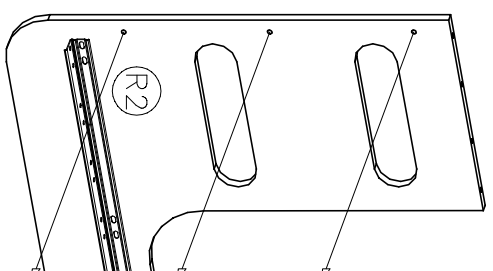
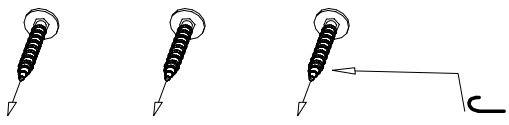
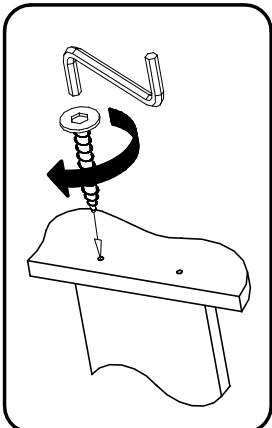
I

N
6x13 x48





||

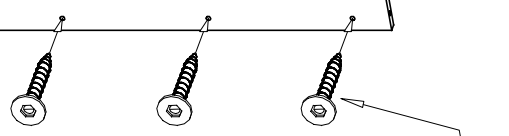


R1

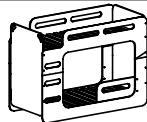
R2

N1

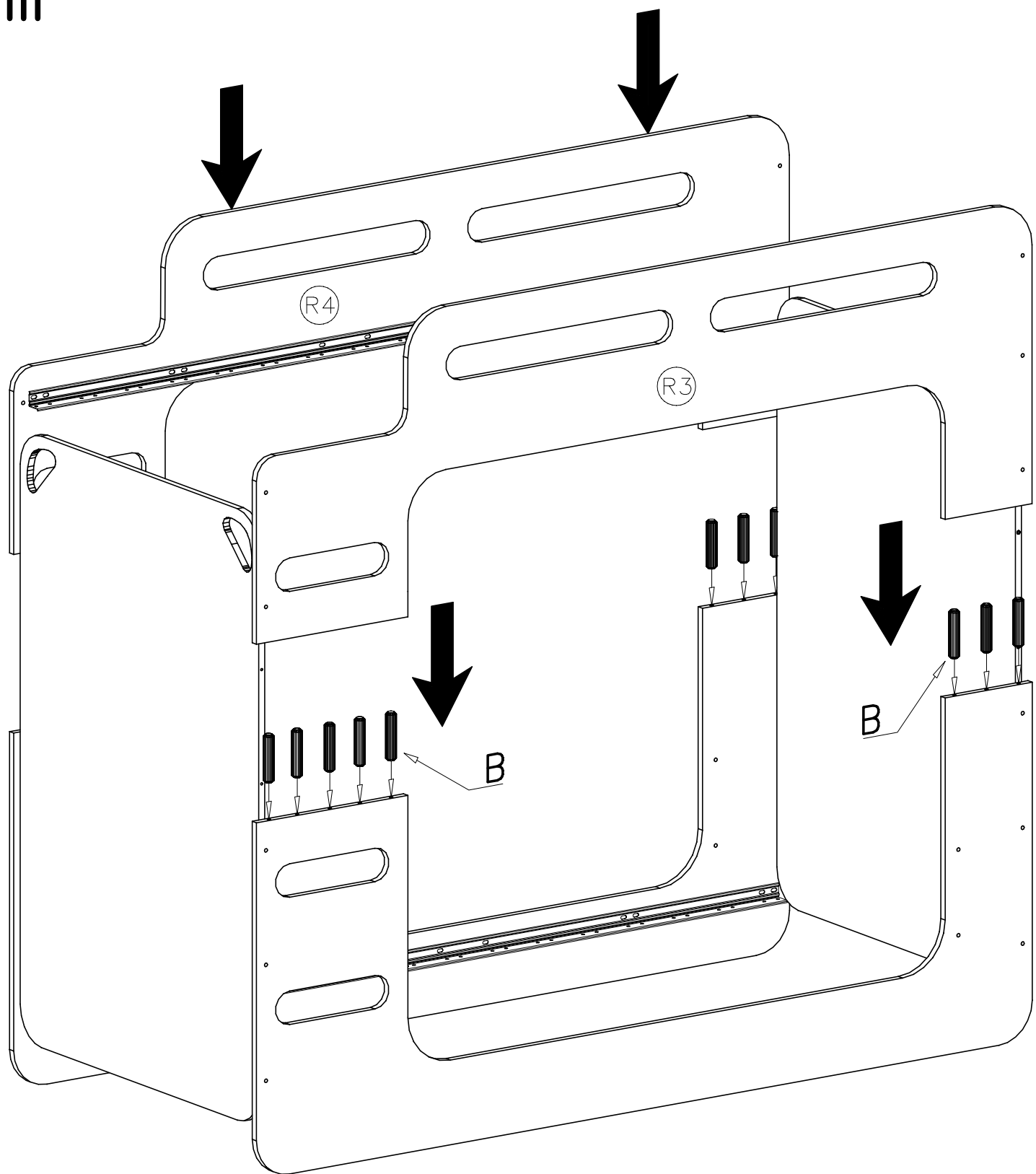
N2



6x50 X12



III



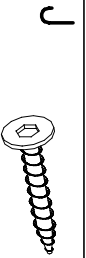
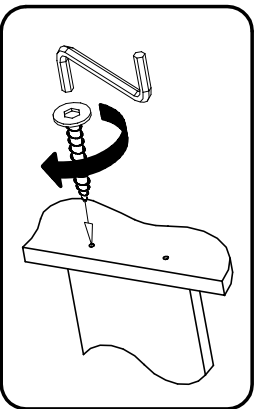
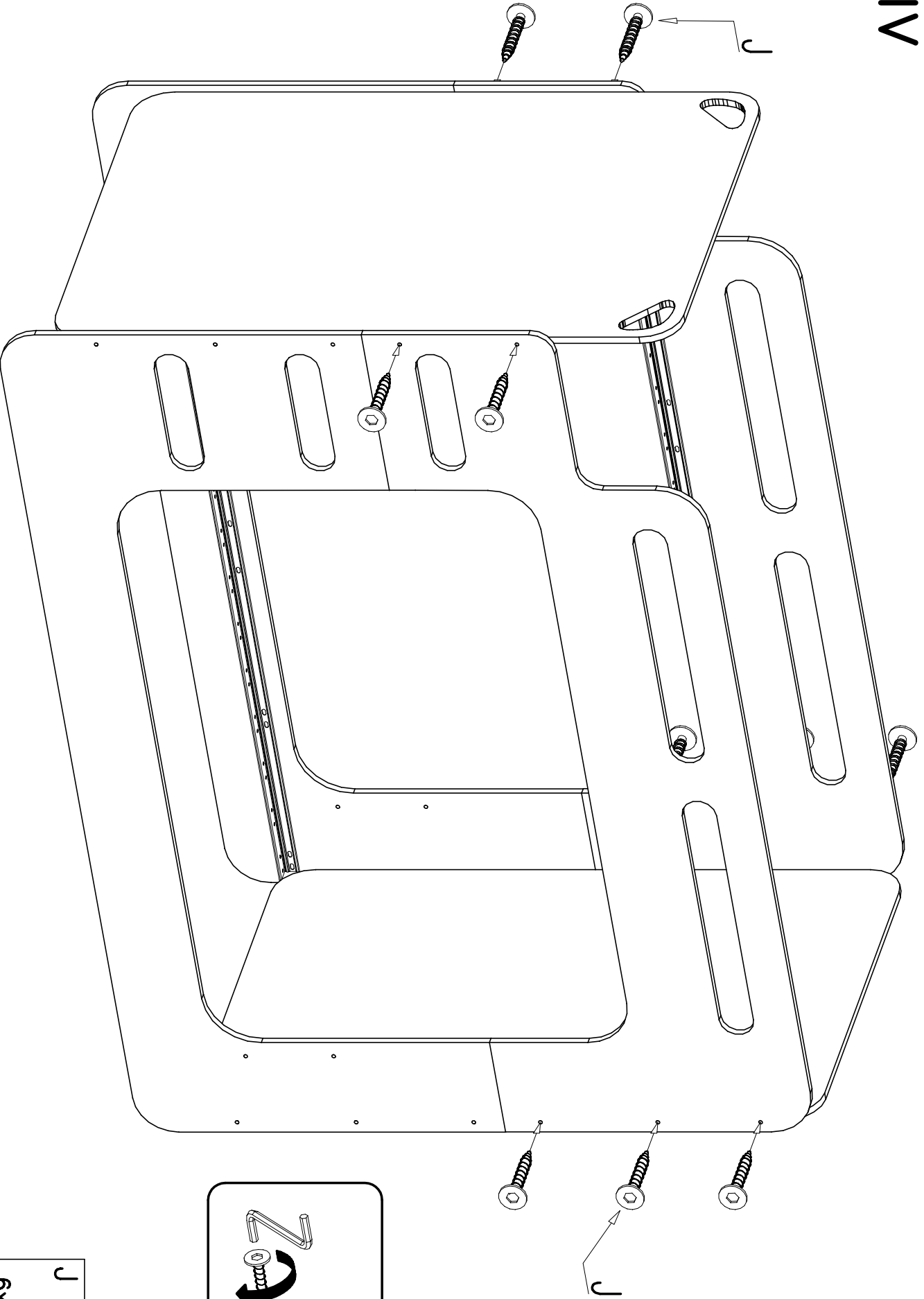
B



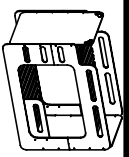
x16



IV



6x50 X10



V

N



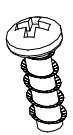
N

R8

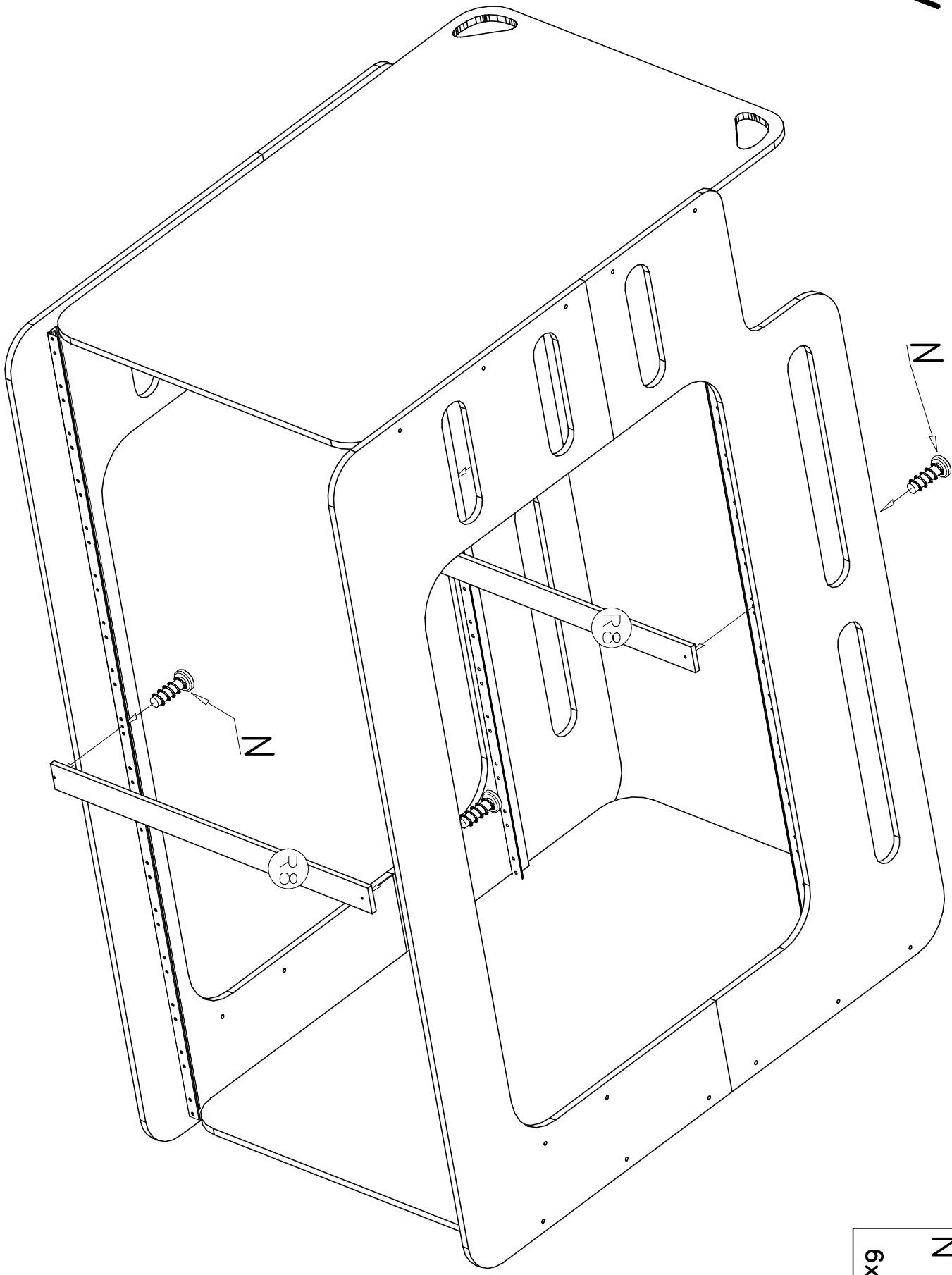
R8

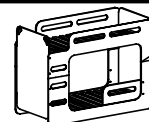
N

6x13

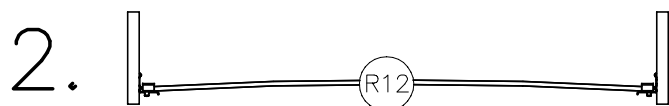
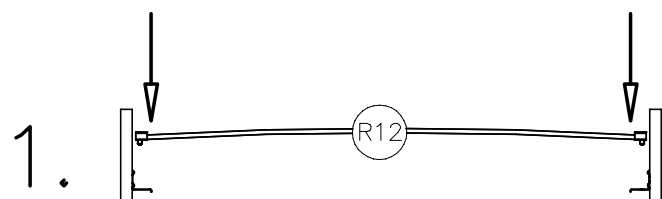
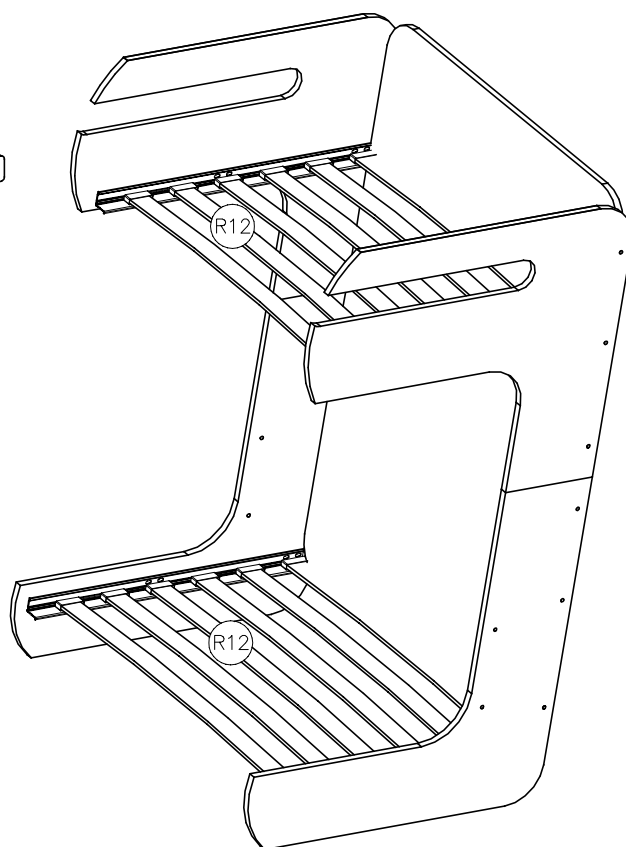
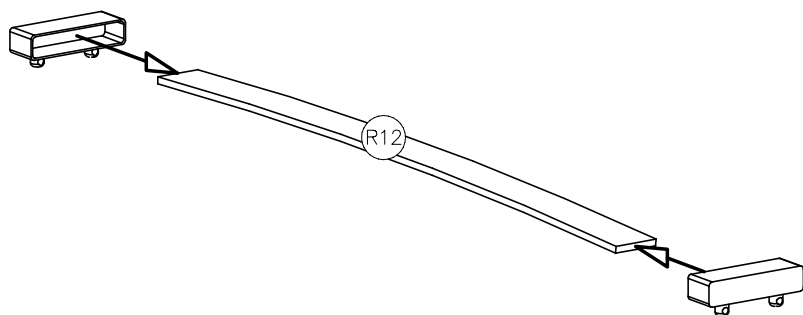
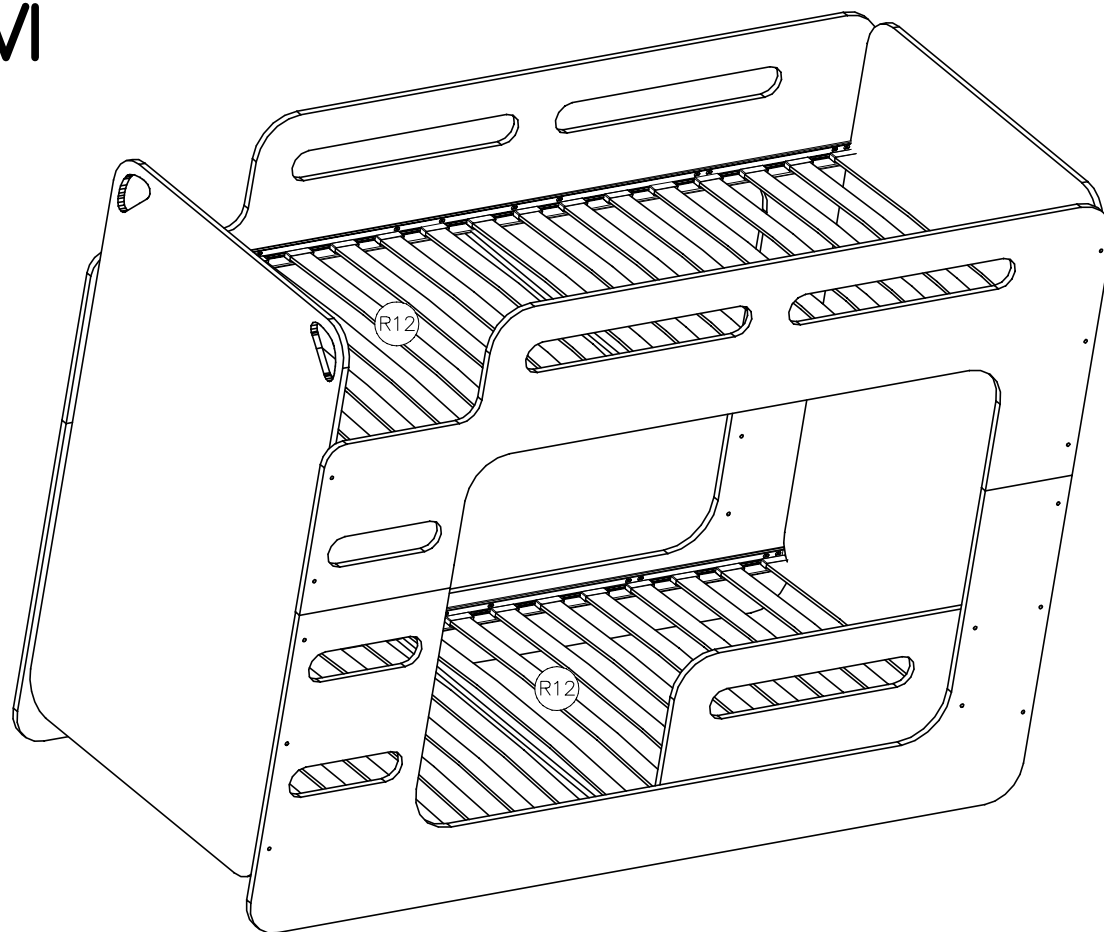
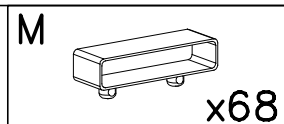


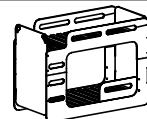
X4



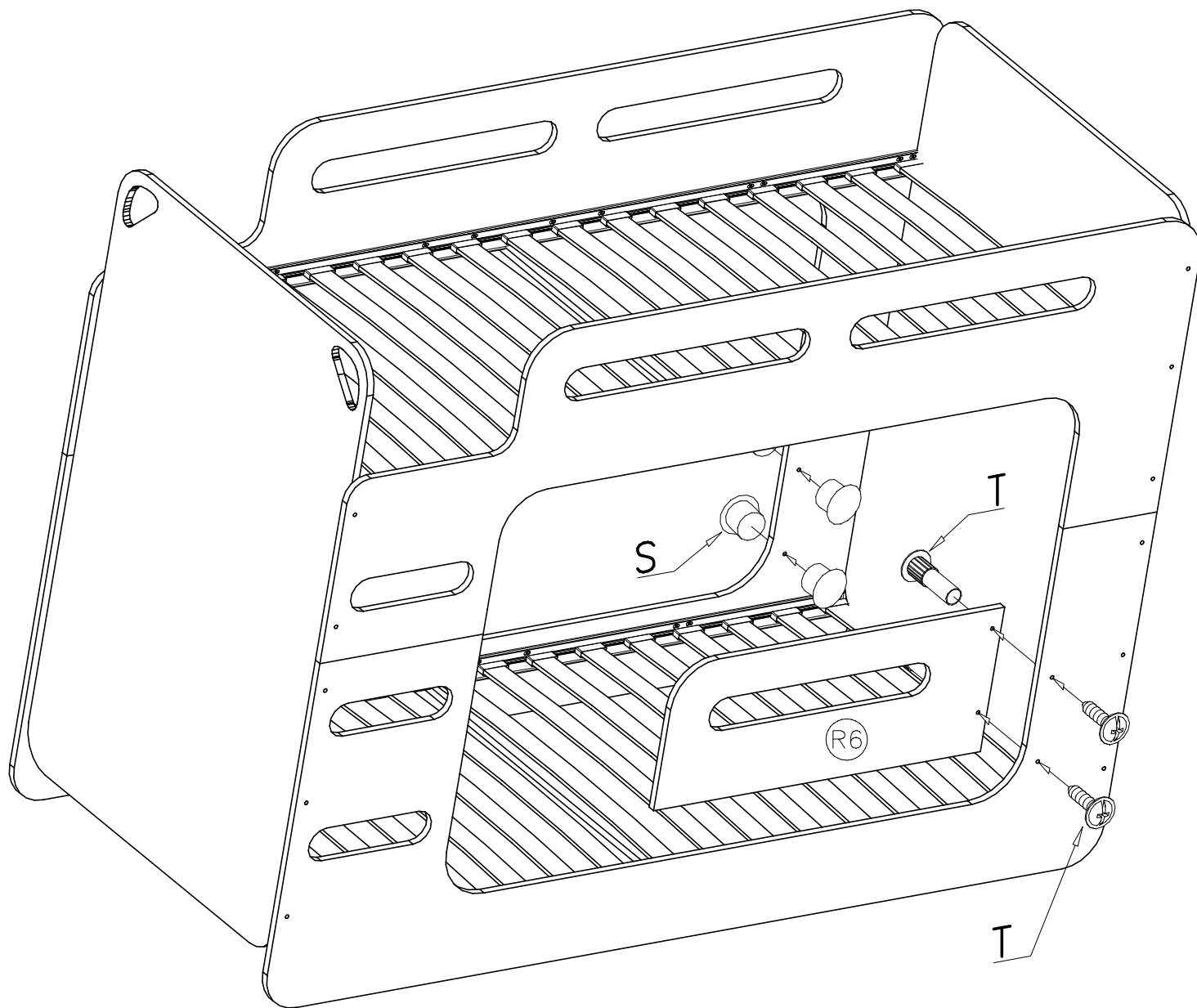



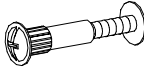
VI





VII



S		x4
T		x2

