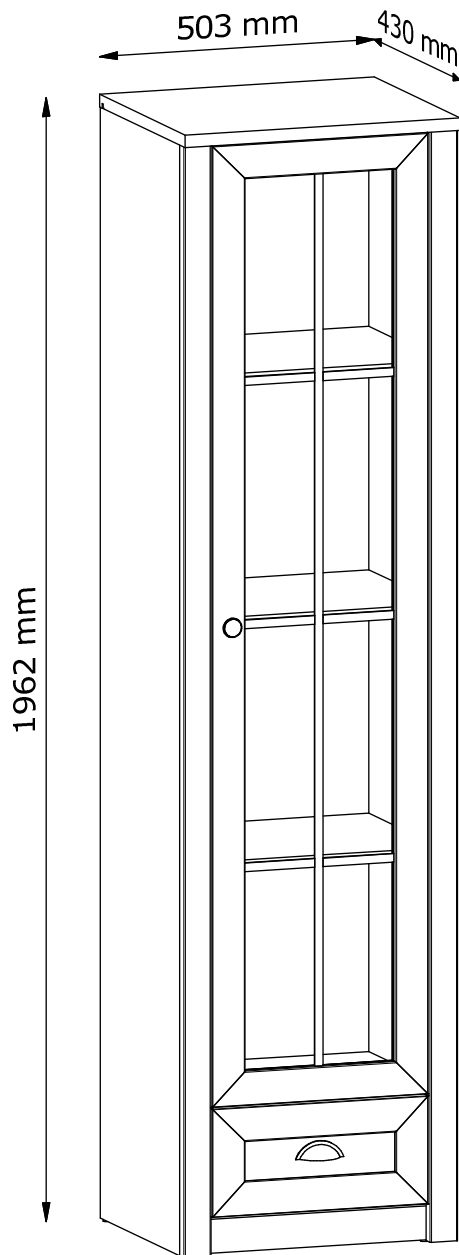
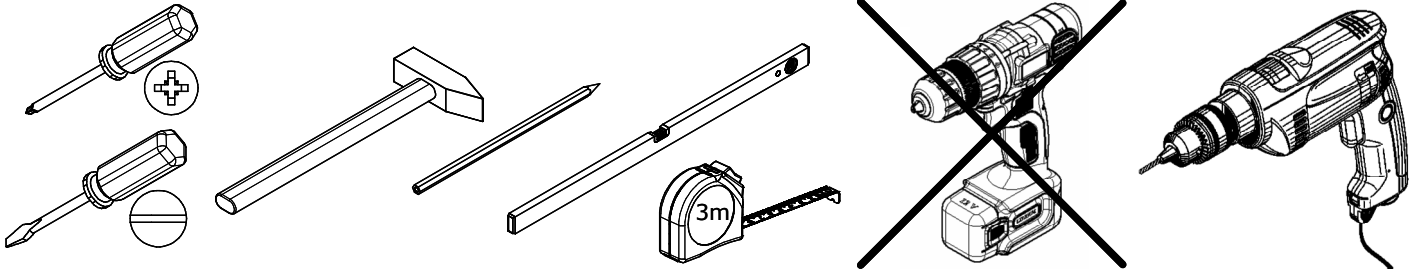


**W1S**

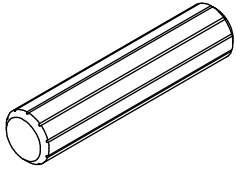


**PL:** INSTRUKCJA MONTAŻU  
**EN:** ASSEMBLY MANUAL  
**CZ:** PŘÍRUČKA PRO MONTÁŽ  
**SK:** PRÍRUČKA PRE MONTÁŽ  
**DE:** MONTAGEANLEITUNG  
**SR:** UPUTSTVO ZA INSTALACIJU  
**NL:** MONTAGE-INSTRUCTIES

# W1S

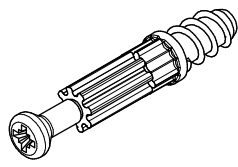


**A1 x20**



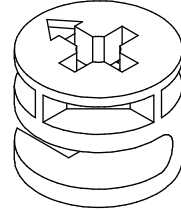
Ø8x35mm

**B1 x22**



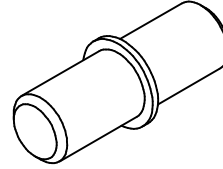
Ø5x38mm

**C1 x22**



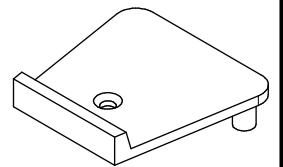
Ø15x12mm

**E1 x12**



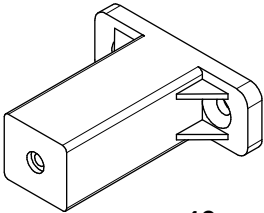
Ø5x16mm

**E10 x1**



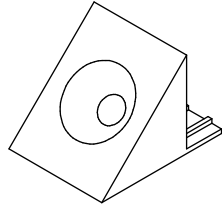
43x43mm

**F2 x4**



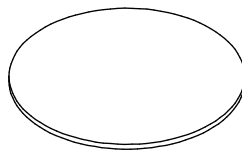
40mm

**G2 x16**



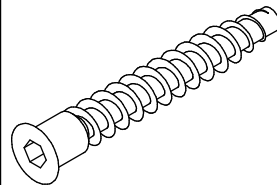
14x14mm

**J11 x12**



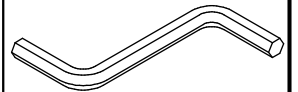
Ø21mm

**K1 x4**



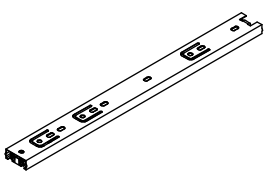
Ø6,4x50mm

**N2 x1**



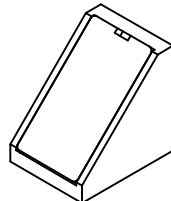
4mm HEX

**P2 x2**



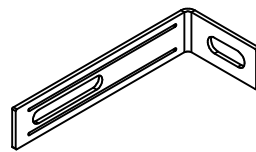
350mm

**R1 x2**



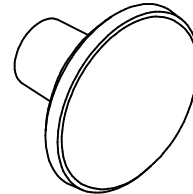
24x24x19mm

**T1 x1**



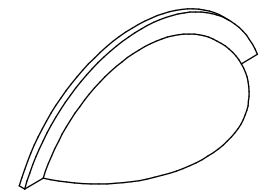
76x15mm

**U13 x1**



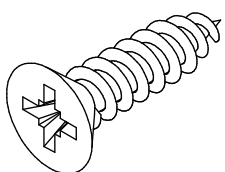
Ø33mm

**U14 x1**



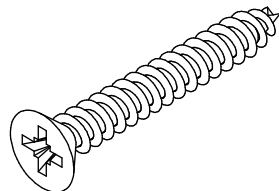
92x33mm

**W2 x59**



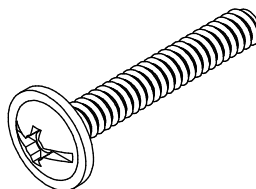
Ø3,5x16mm

**W5 x4**



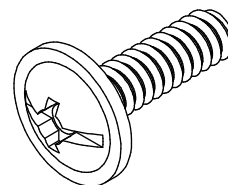
Ø4x30mm

**X4 x1**



M4x25mm

**X2 x2**



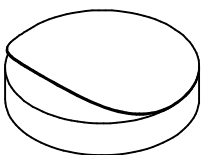
M4x16mm

**Y1 x4**



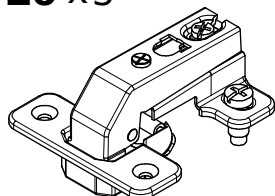
Ø8x1,5mm

**Y2 x6**

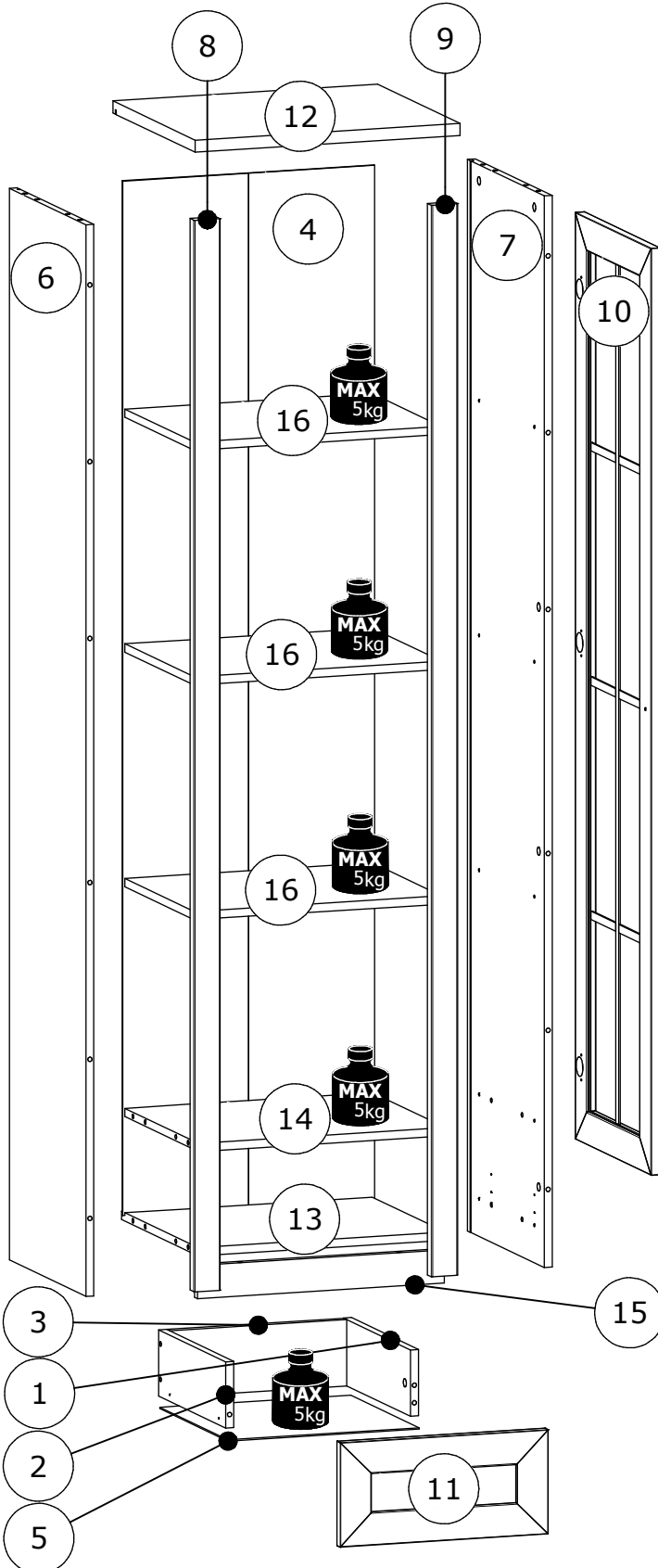
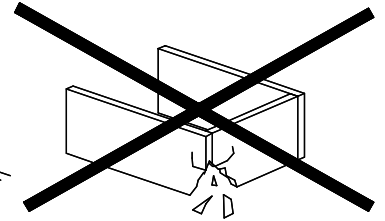
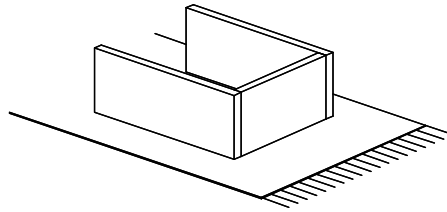
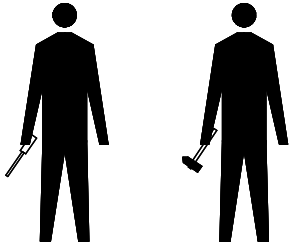


Ø16mm

**Z6 x3**

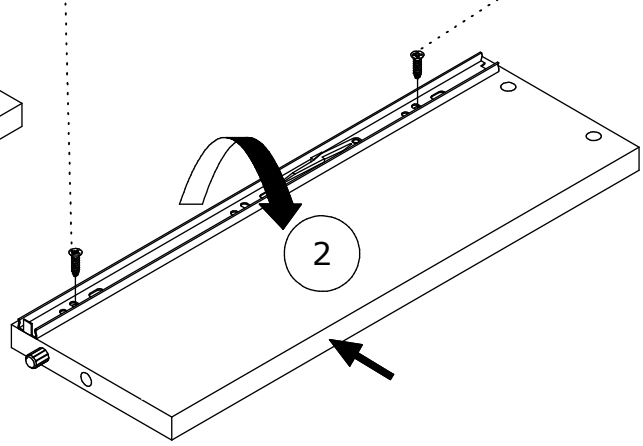
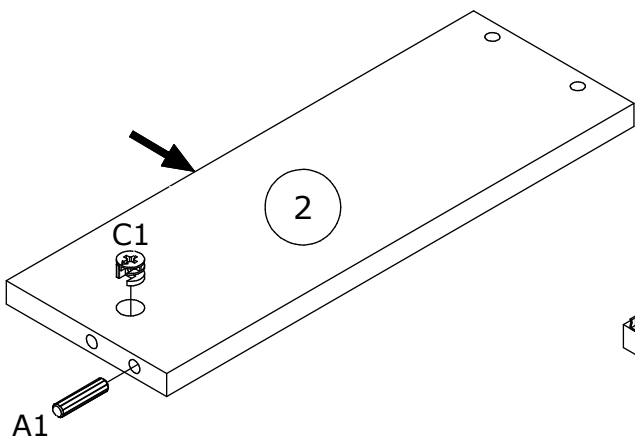
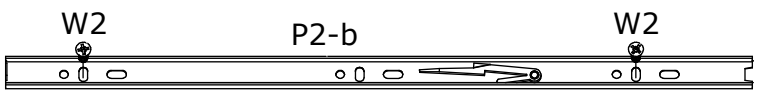
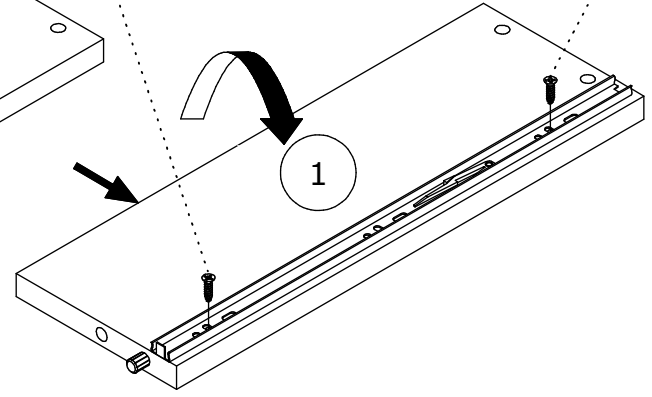
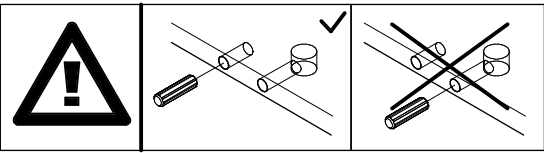
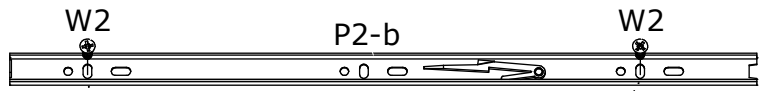
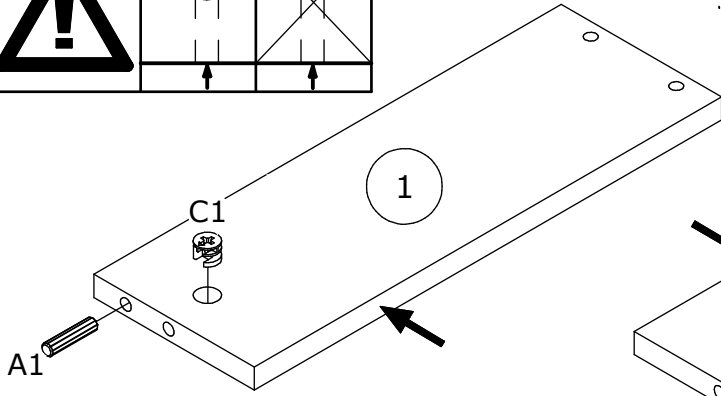
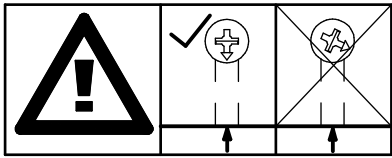
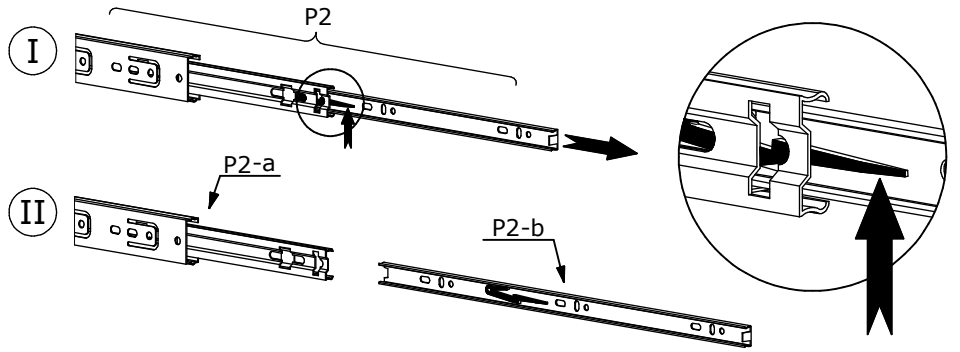
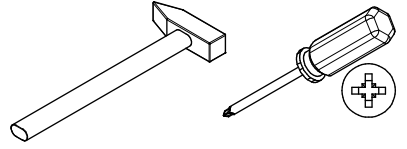
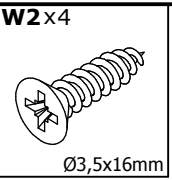
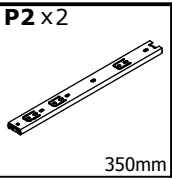
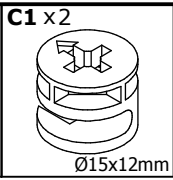
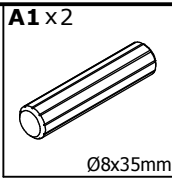


Ø35mm, 90°



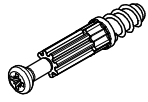
nr	L[mm]	W[mm]	H[mm]	PCS	BO
1	120	350	15	1	1/2
2	120	350	15	1	1/2
3	120	336	15	1	1/2
4	1873	478	2,5	1	2/2
5	363	355	2,5	1	1/2
6	1940	400	15	1	2/2
7	1940	400	15	1	2/2
8	1940	50	22	1	2/2
9	1940	50	22	1	2/2
10	395	1678	18	1	2/2
11	189	395	18	1	2/2
12	503	430	22	1	1/2
13	470	400	15	1	1/2
14	470	382	15	1	1/2
15	469	60	15	1	1/2
16	470	360	15	3	1/2

1



2

B1 x2

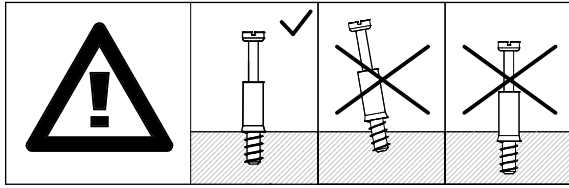
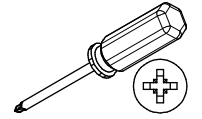


Ø5x38mm

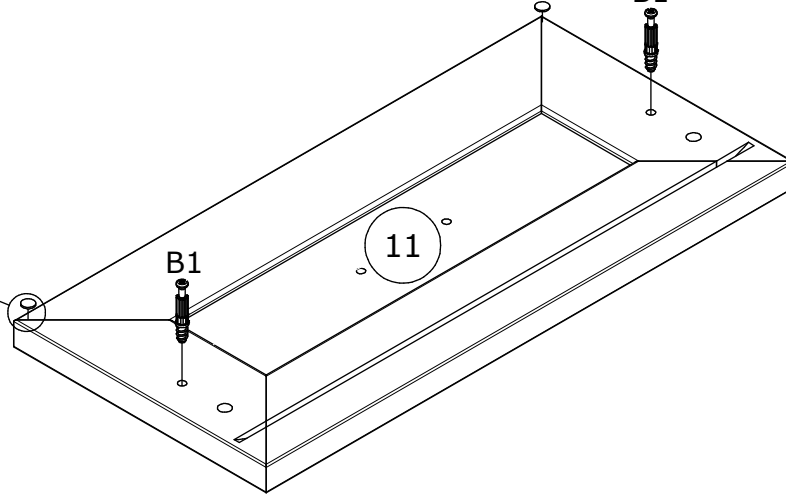
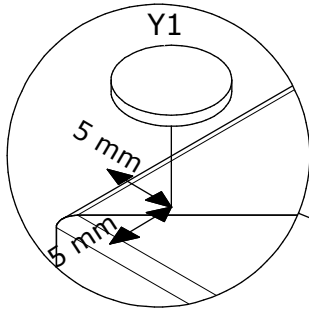
Y1 x2



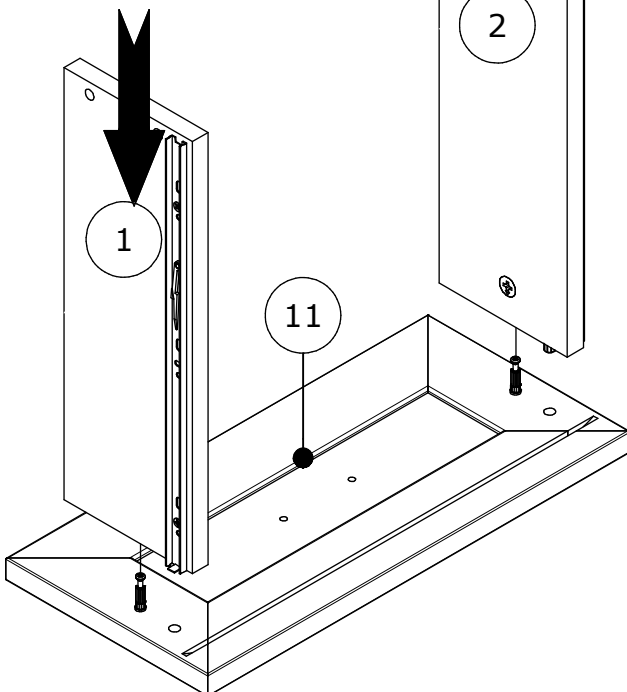
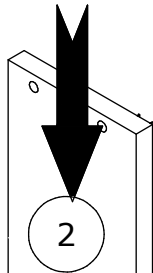
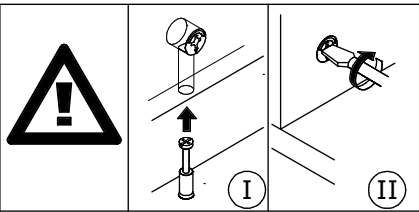
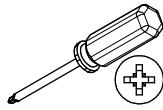
Ø8mm



B1

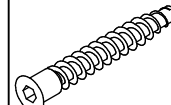


3



4

K1 x4

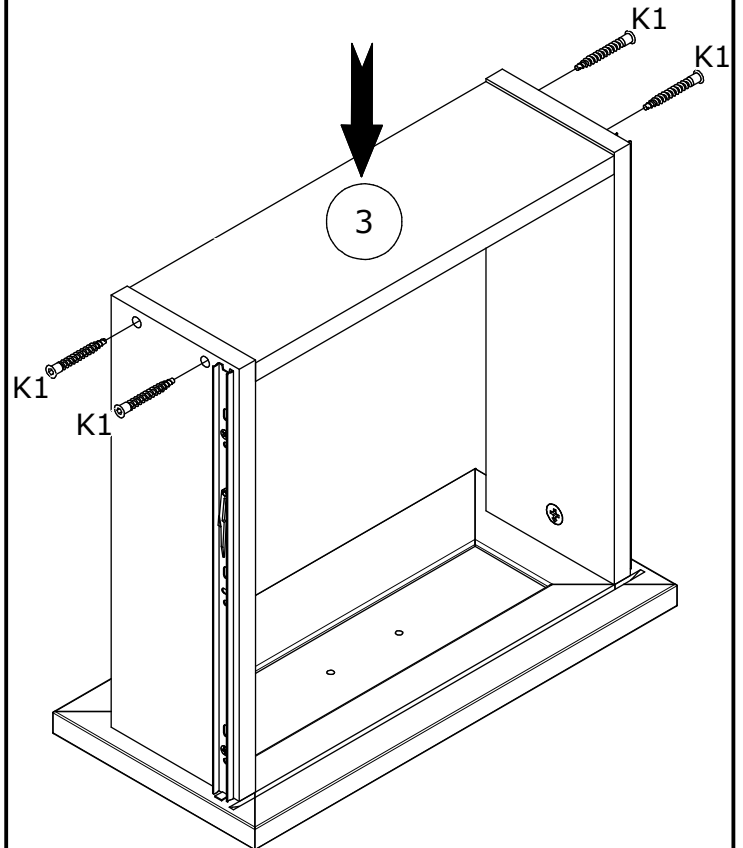


Ø6,4x50mm

N2 x1

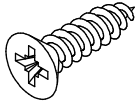


4mm HEX

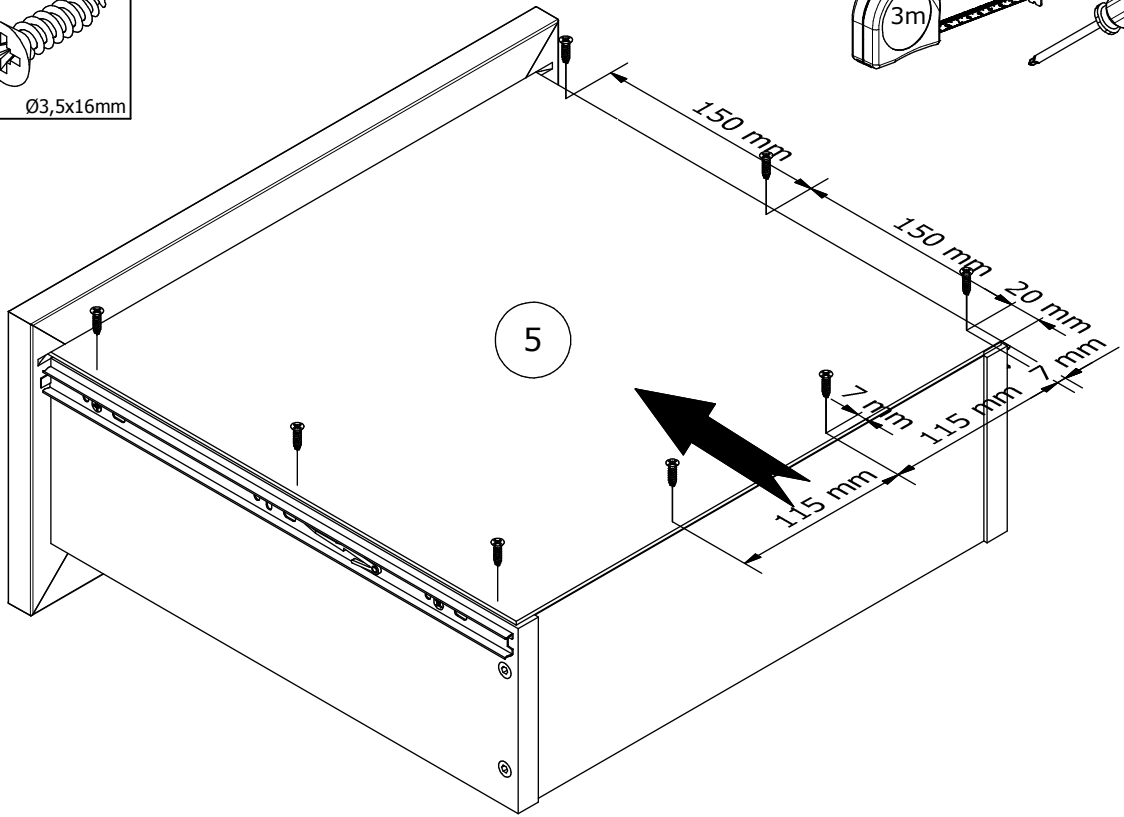
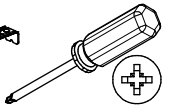
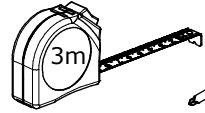


5

W2x8

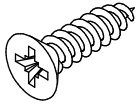


Ø3,5x16mm



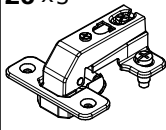
6

W2x6

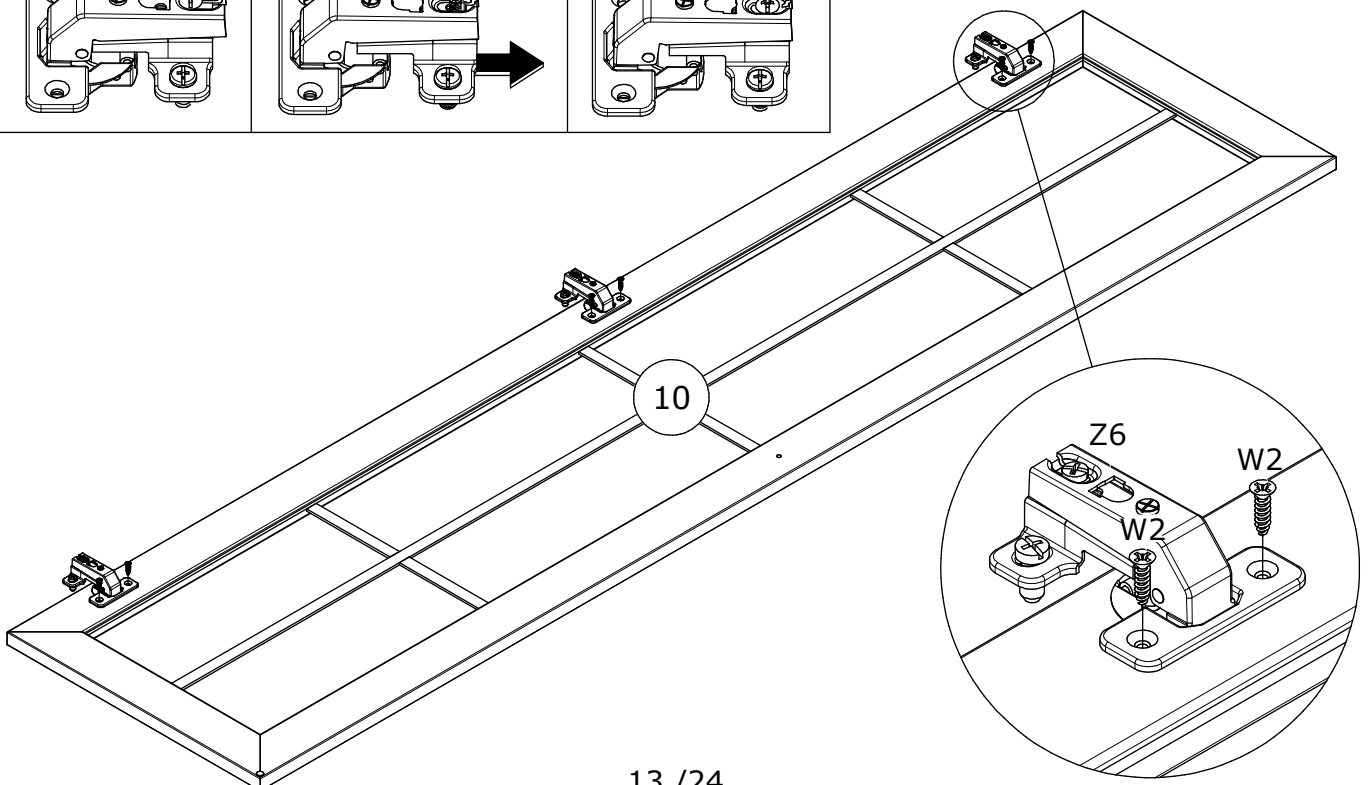
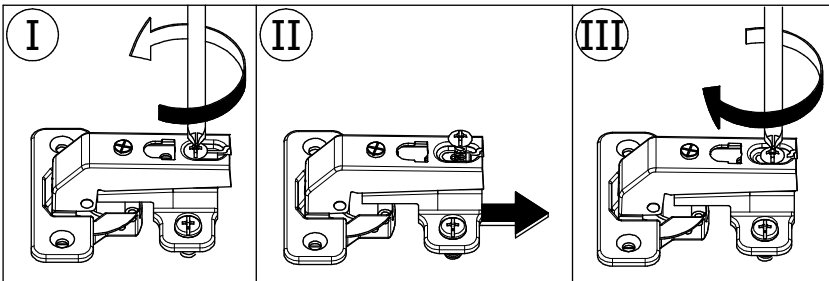
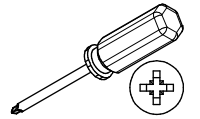


Ø3,5x16mm

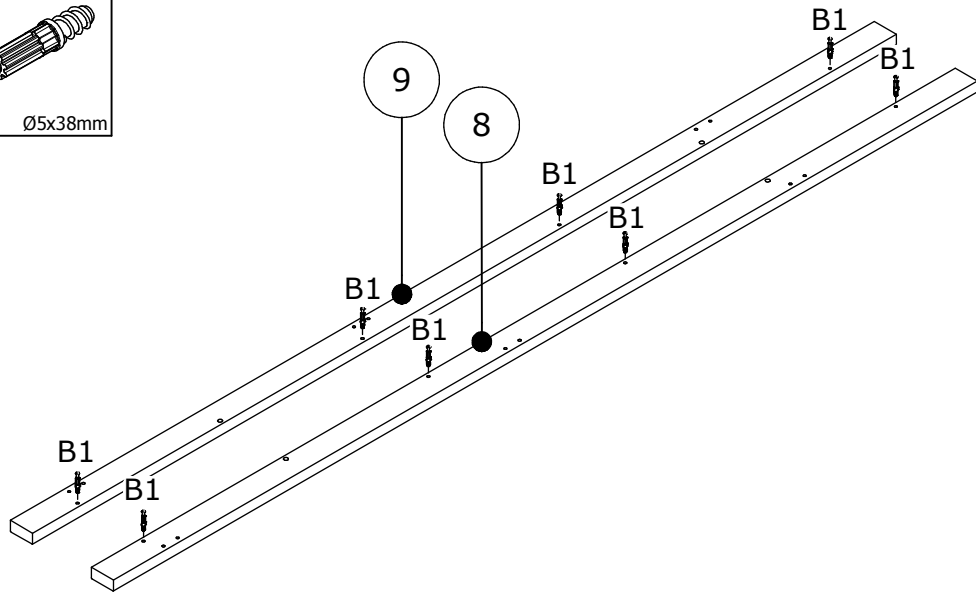
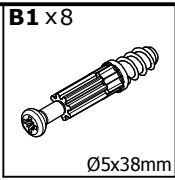
Z6 x 3



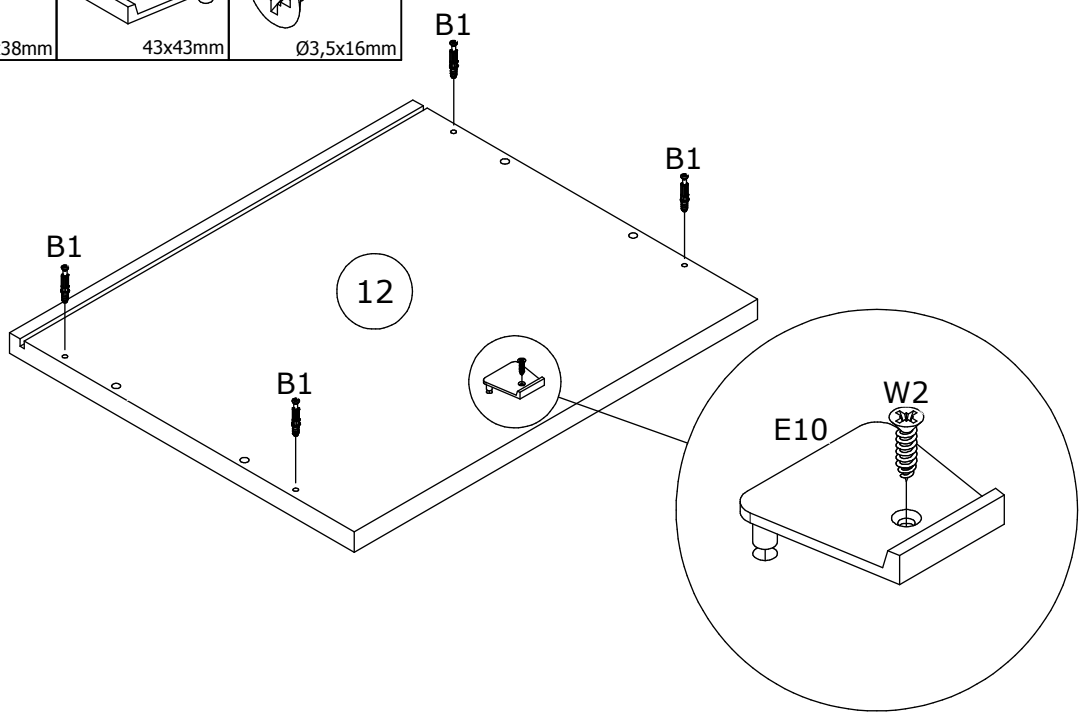
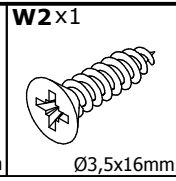
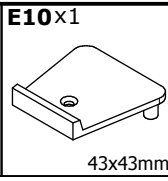
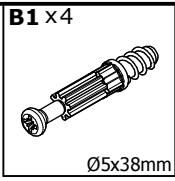
Ø35mm, 90°



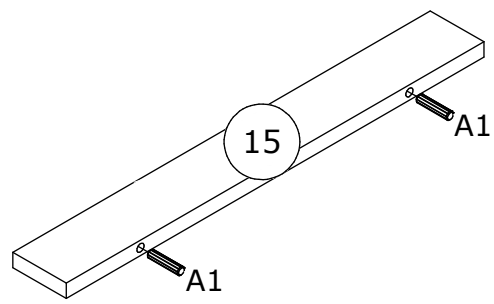
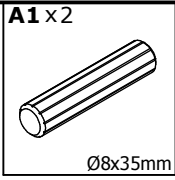
7



8

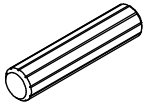


9



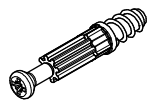
# 10

A1 x 8



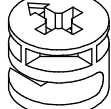
Ø8x35mm

B1 x 8



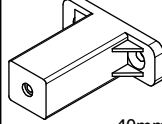
Ø5x38mm

C1 x 12



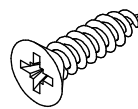
Ø15x12mm

F2 x 4

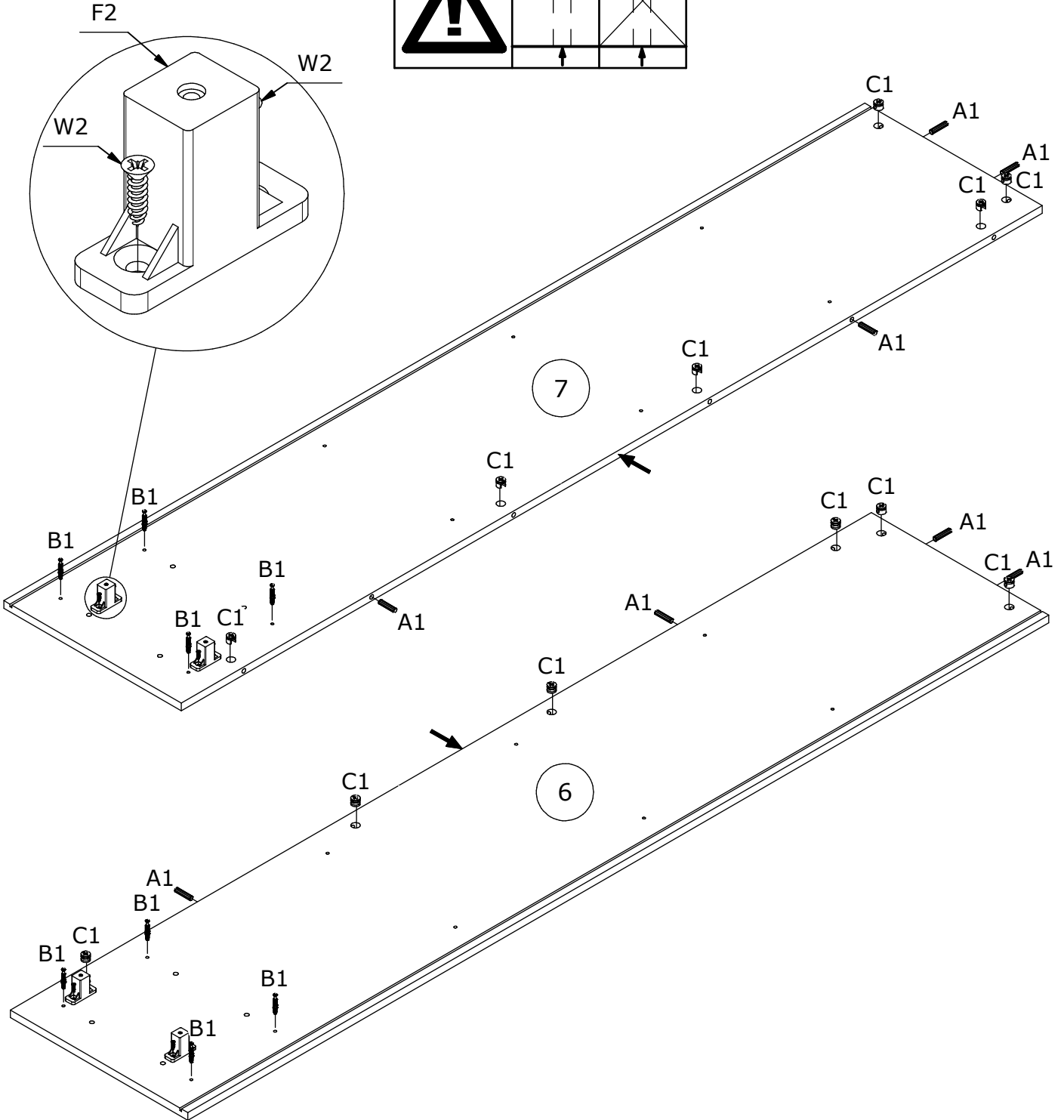
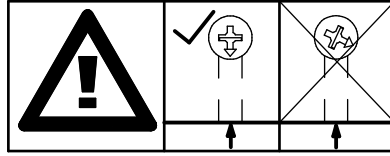


40mm

W2 x 8



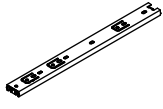
Ø3,5x16mm





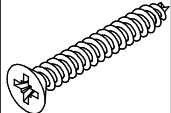
**11**

P2 x 2

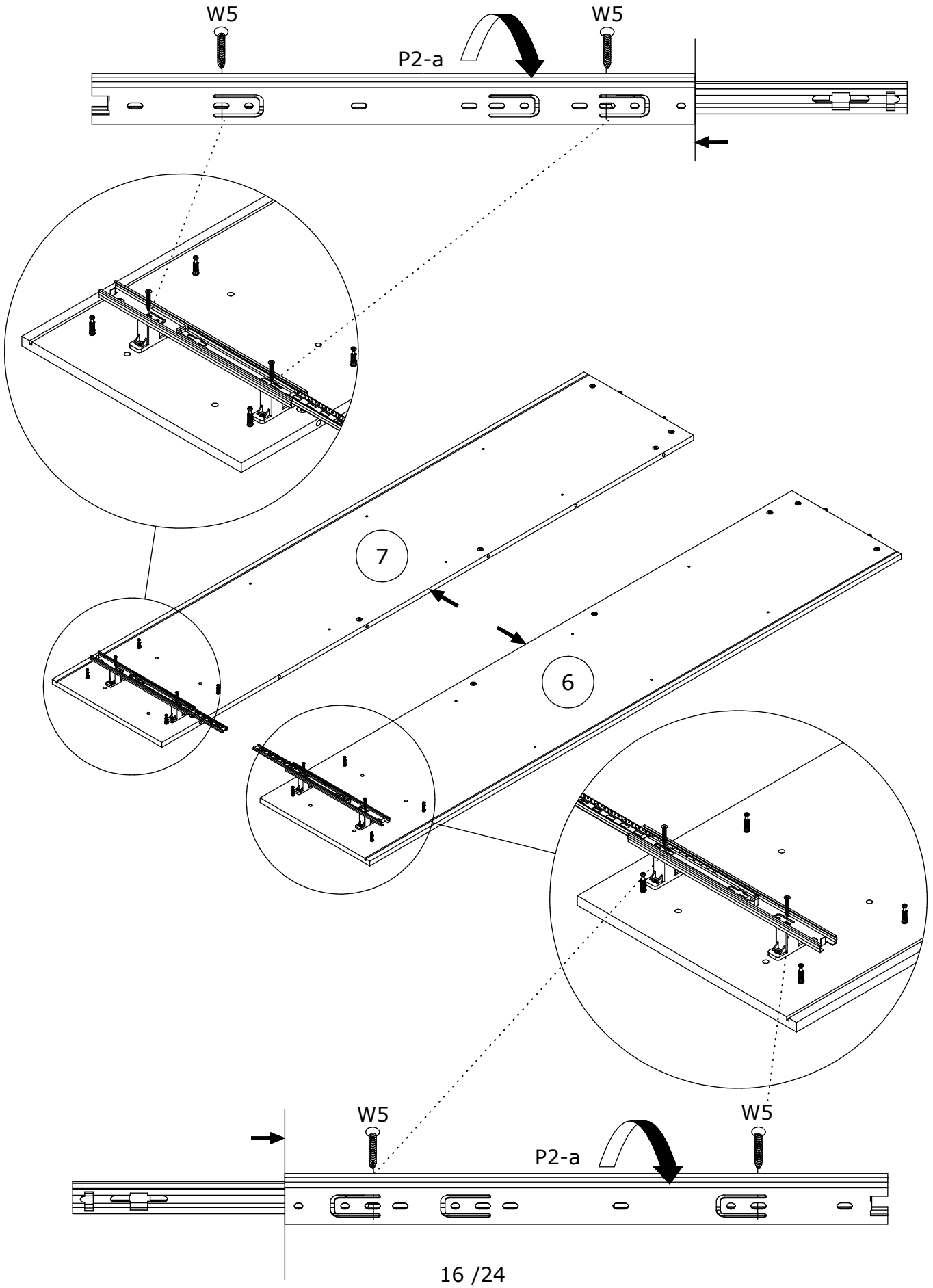


350mm

W5 x 4

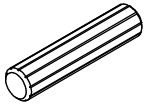


Ø4x30mm



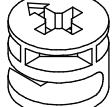
# 12

A1 x 8

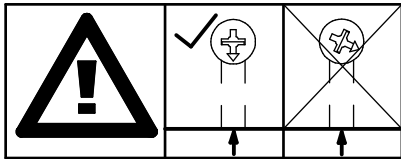
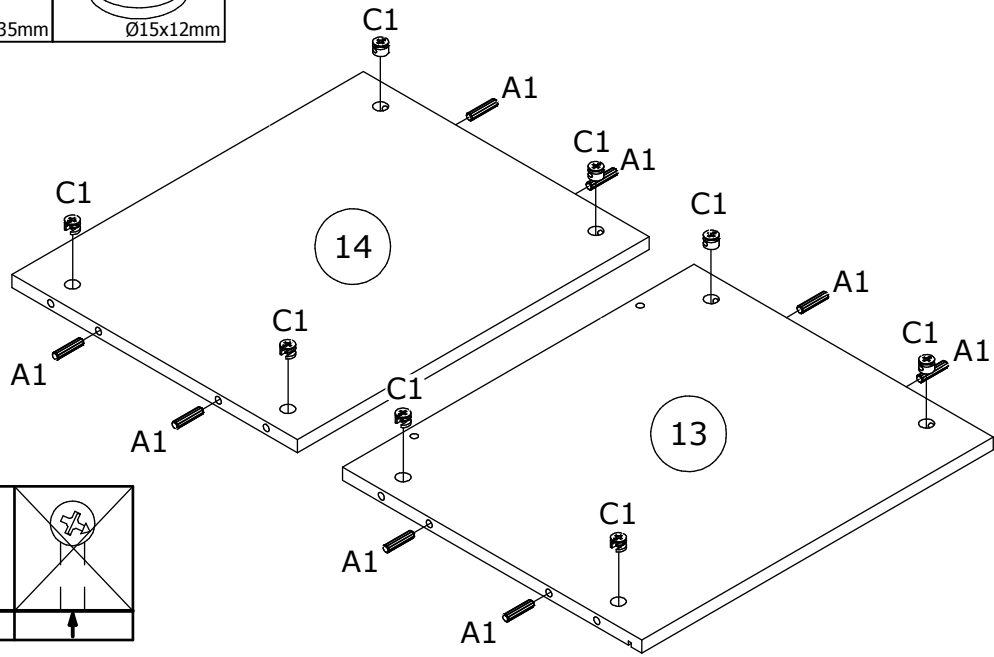


Ø8x35mm

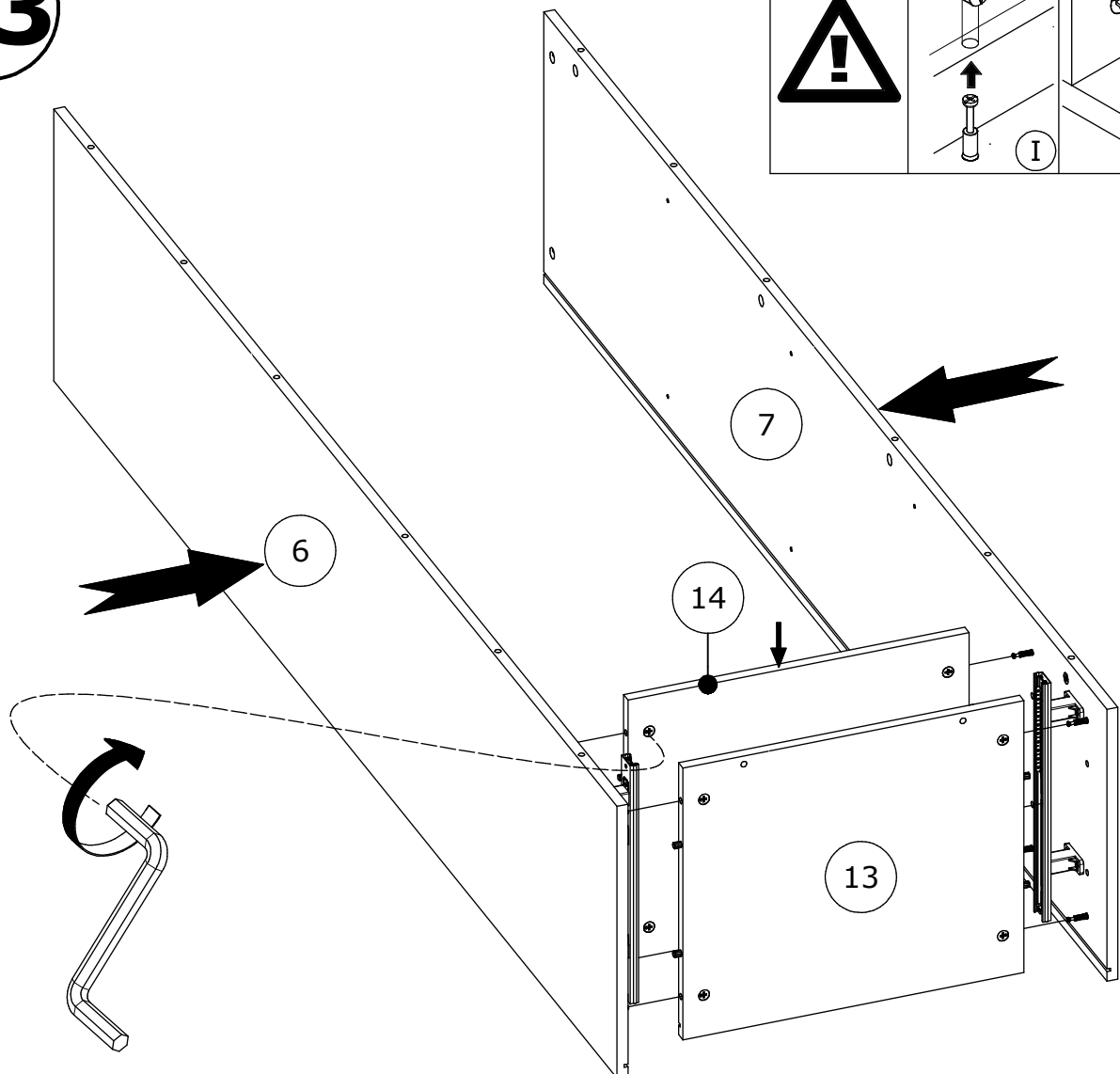
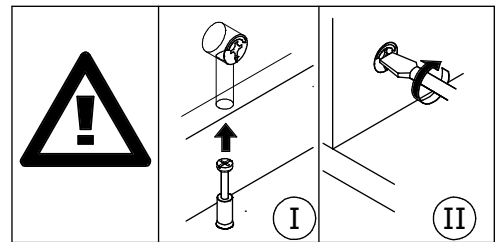
C1 x 8



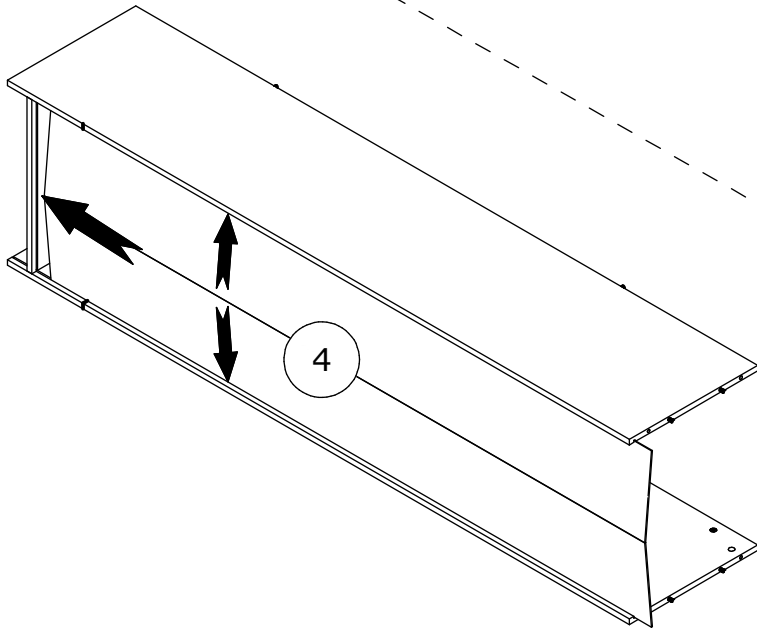
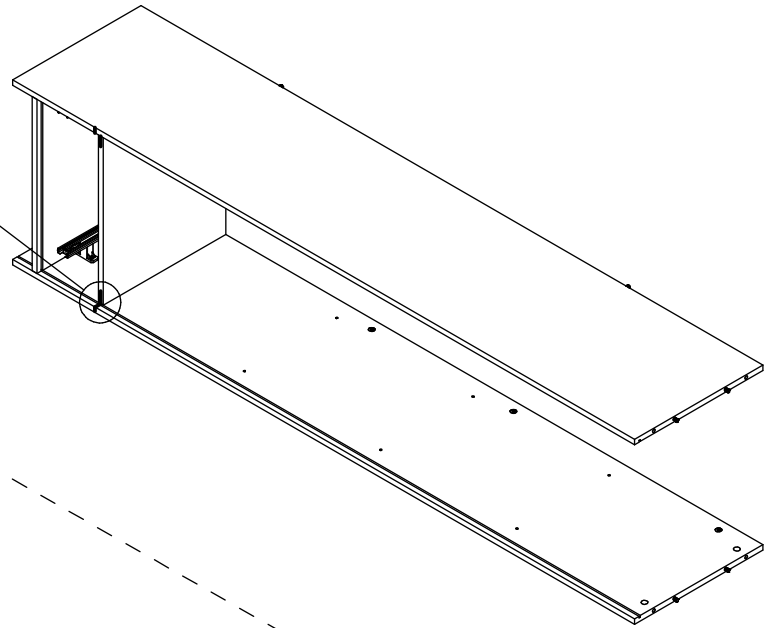
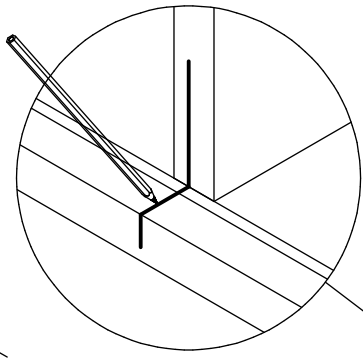
Ø15x12mm



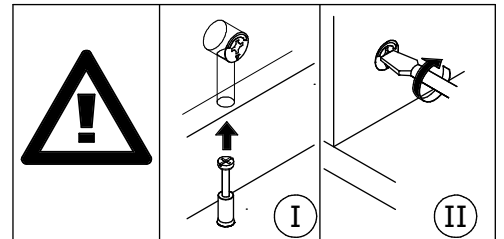
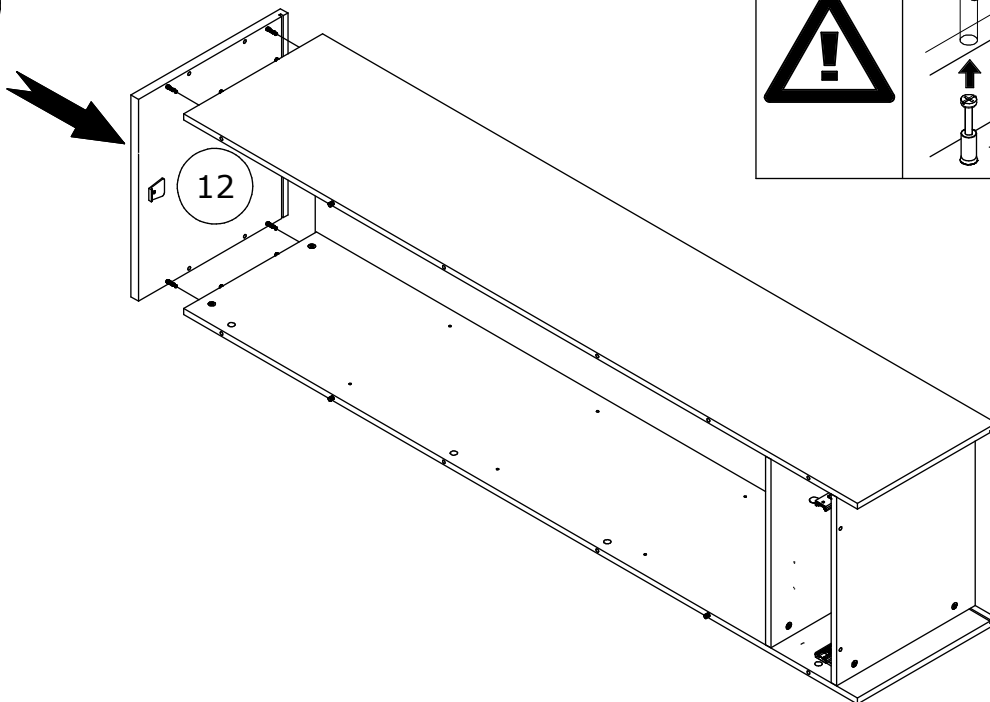
# 13



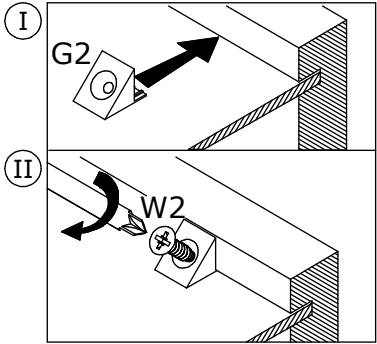
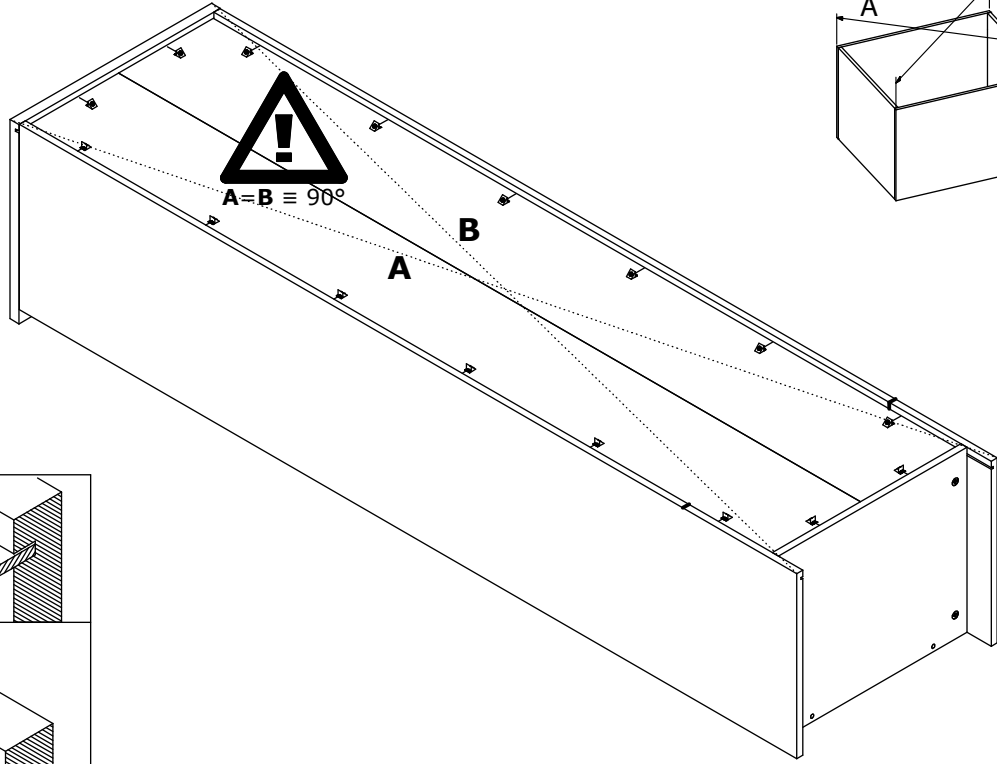
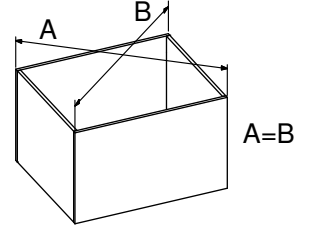
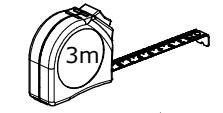
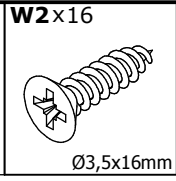
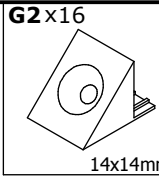
**14**



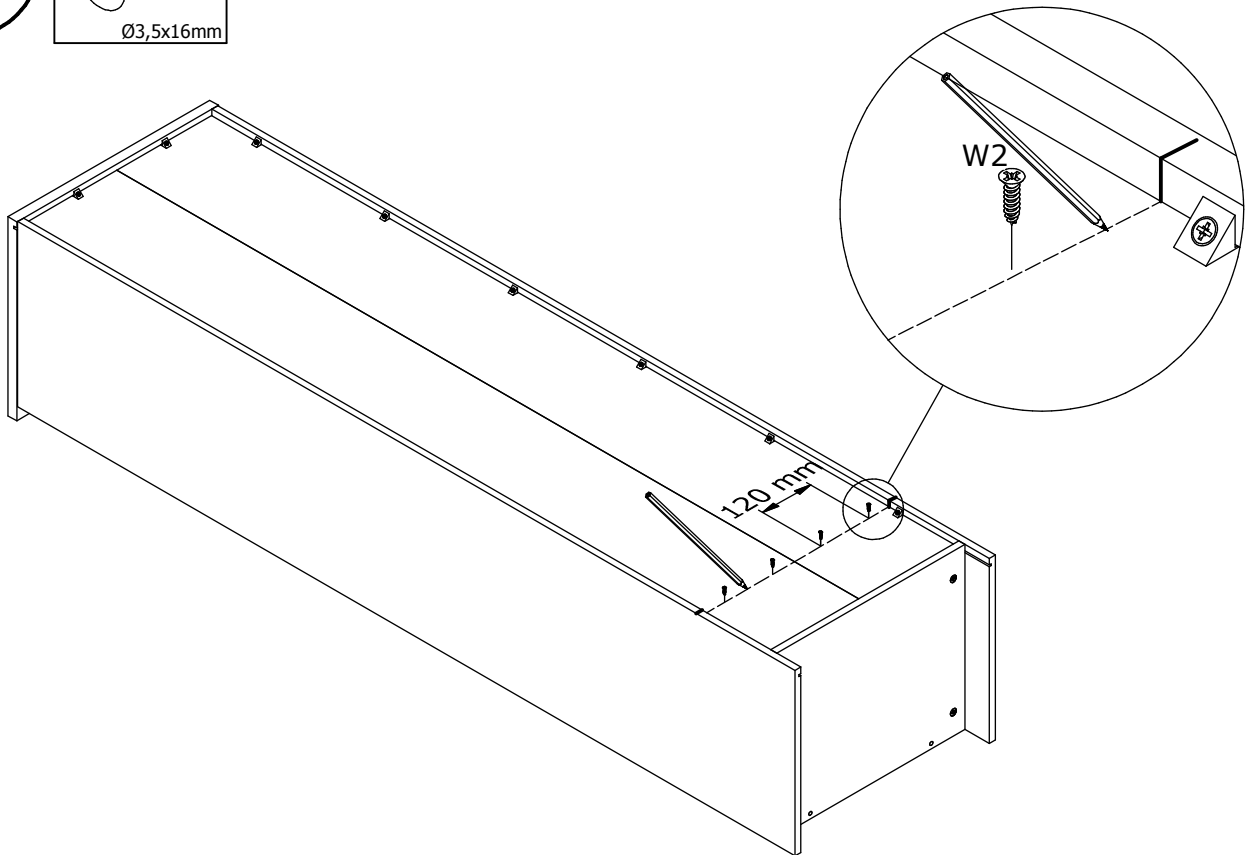
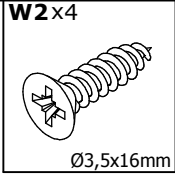
**15**



**16**

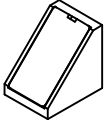


**17**



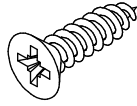
**18**

R1 x 2



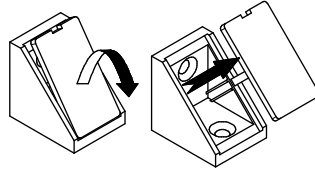
24x24x19mm

W2 x 4

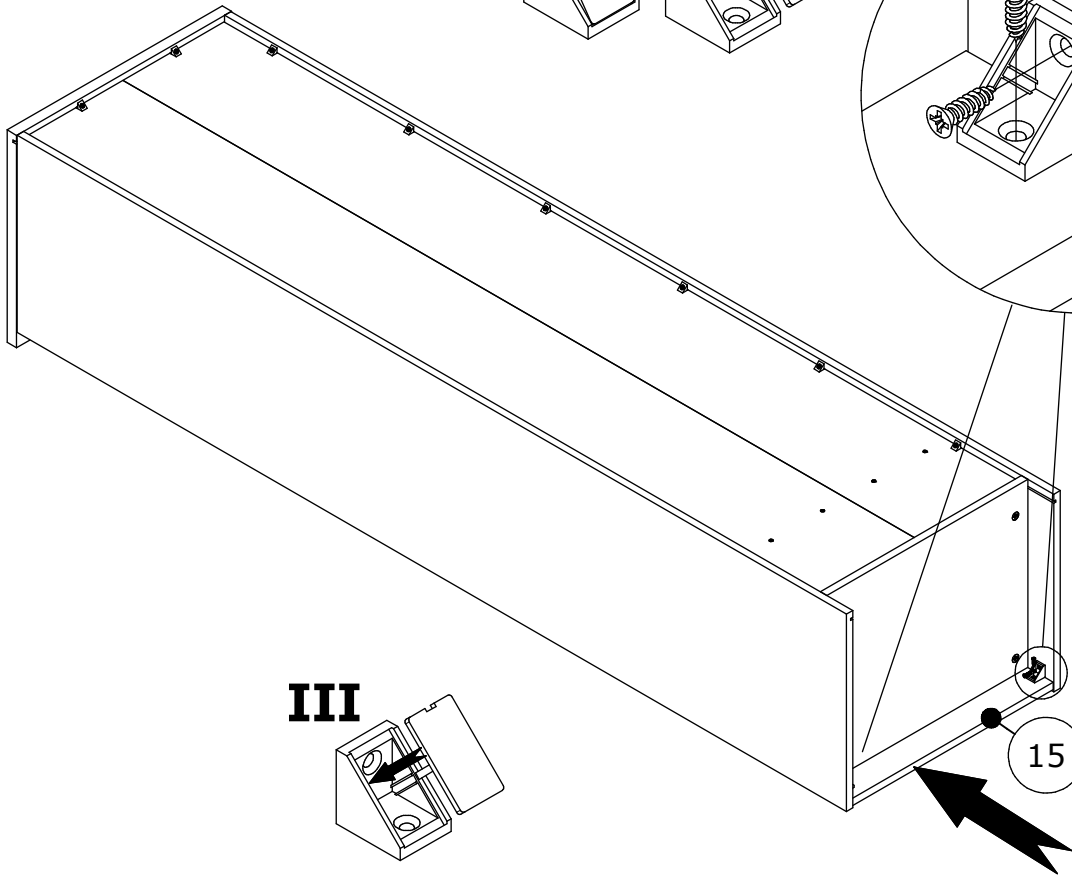
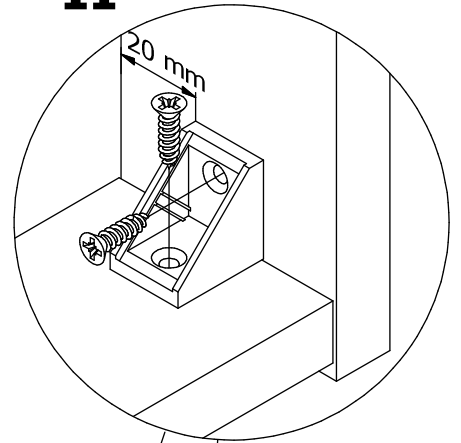


Ø3,5x16mm

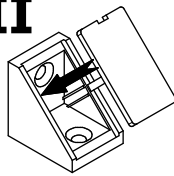
**I**



**II**



**III**



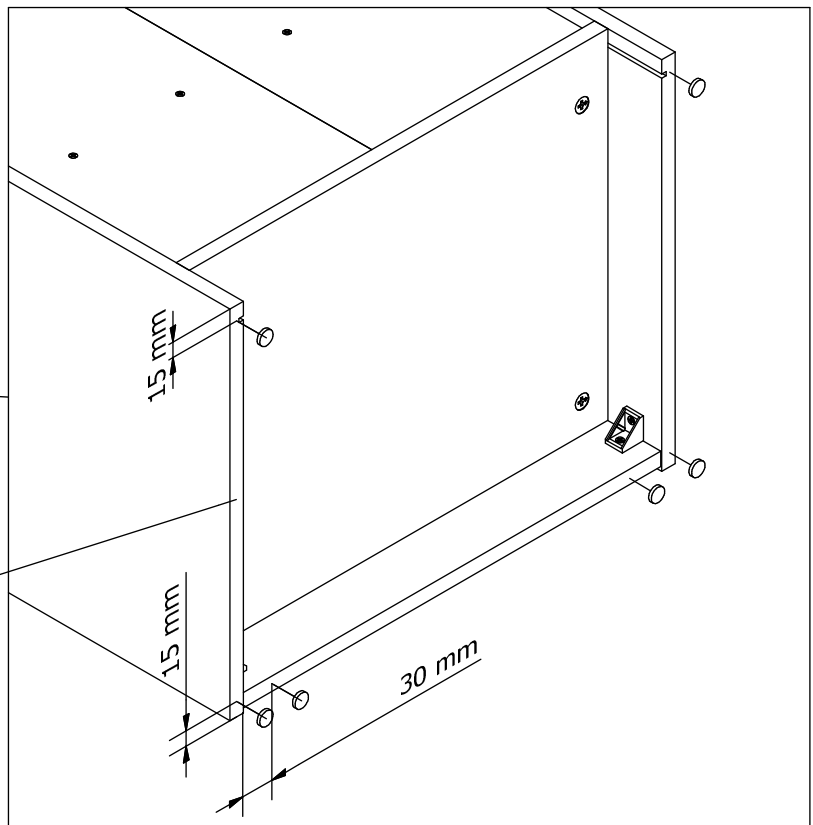
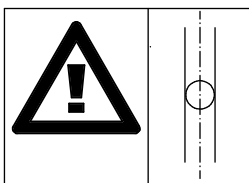
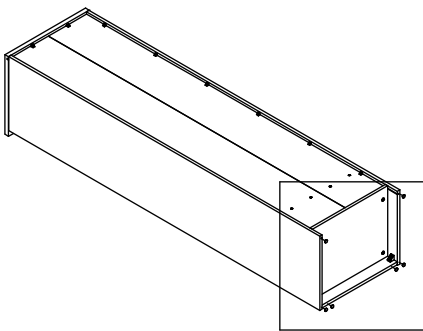
15

**19**

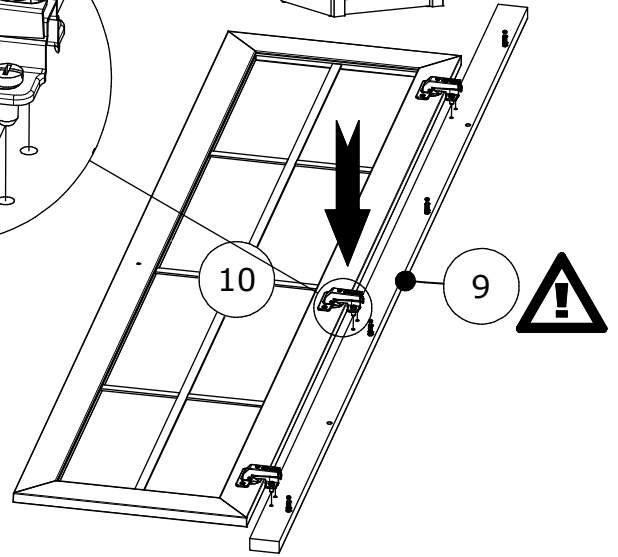
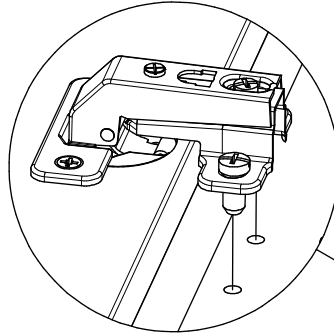
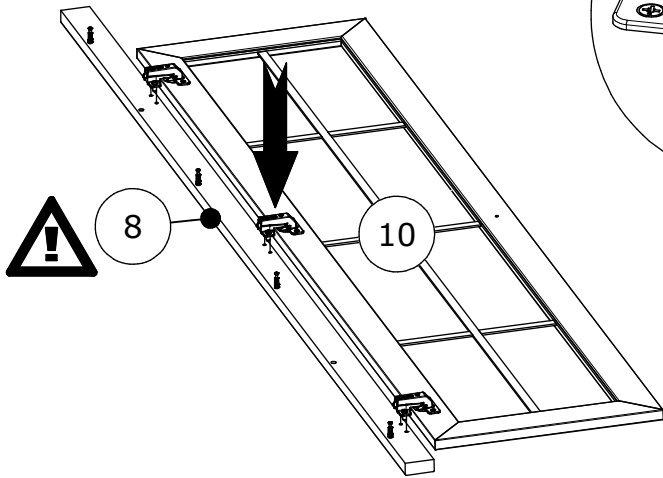
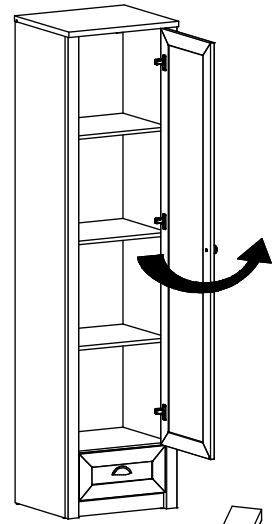
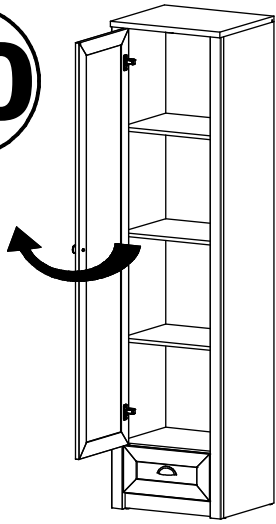
Y2 x 6



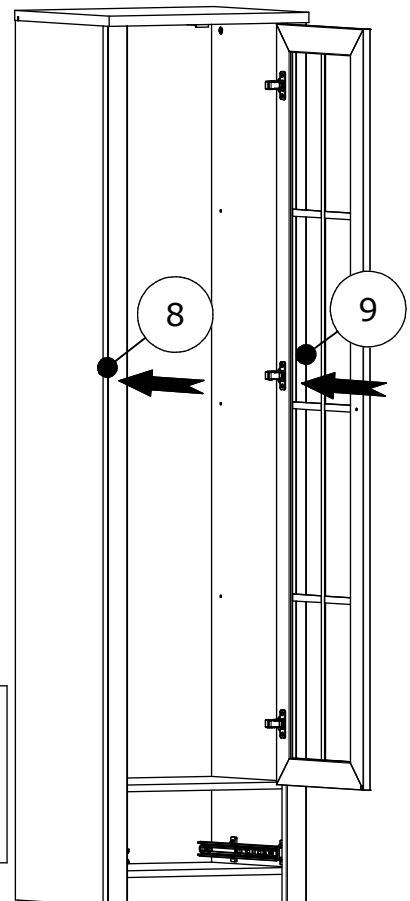
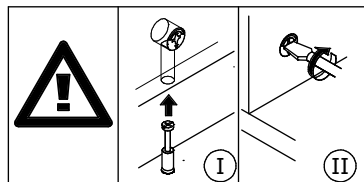
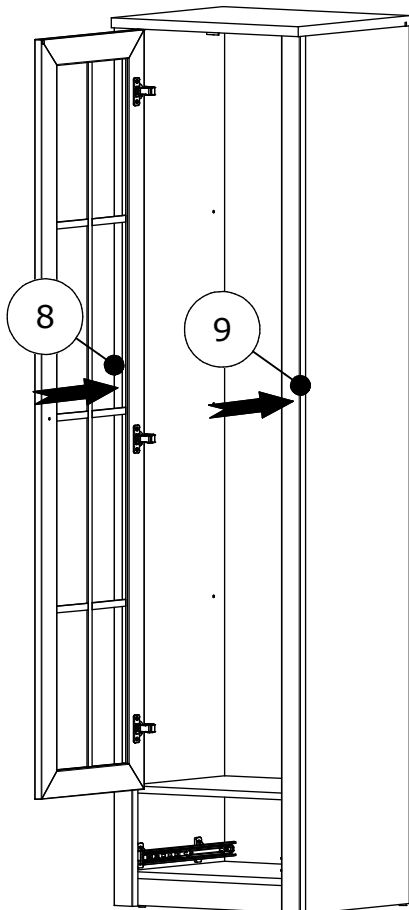
Ø16mm



20

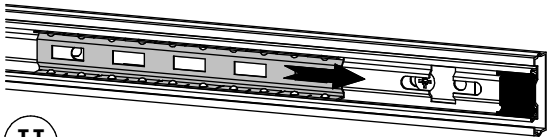


21

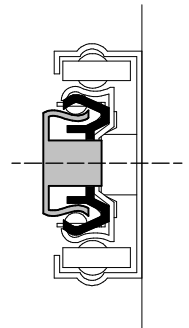
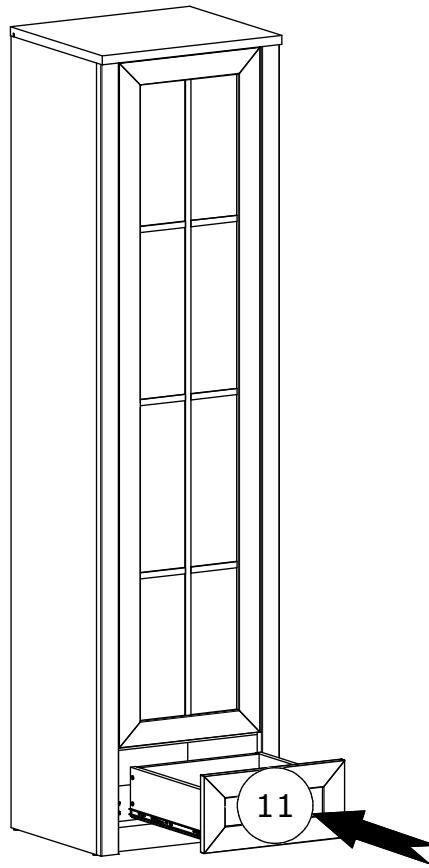
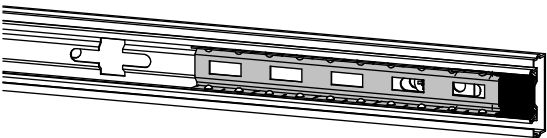


# 22

I

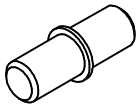


II



# 23

E1 x12



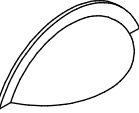
Ø5x16mm

U13 x3



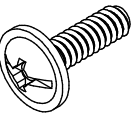
Ø33mm

U14 x3



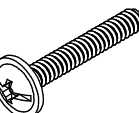
92x33mm

X2 x2

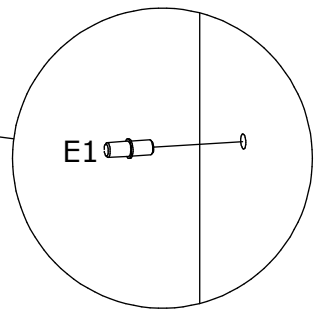
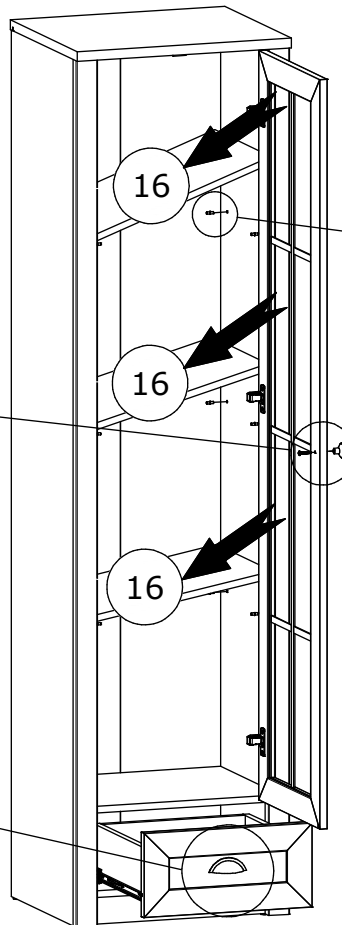
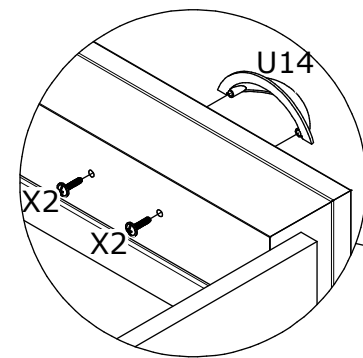
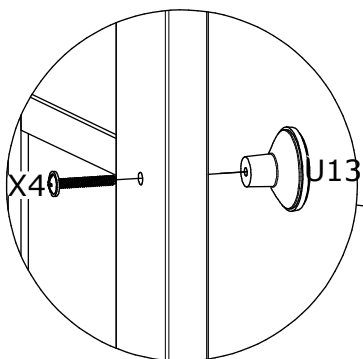


M4x16mm

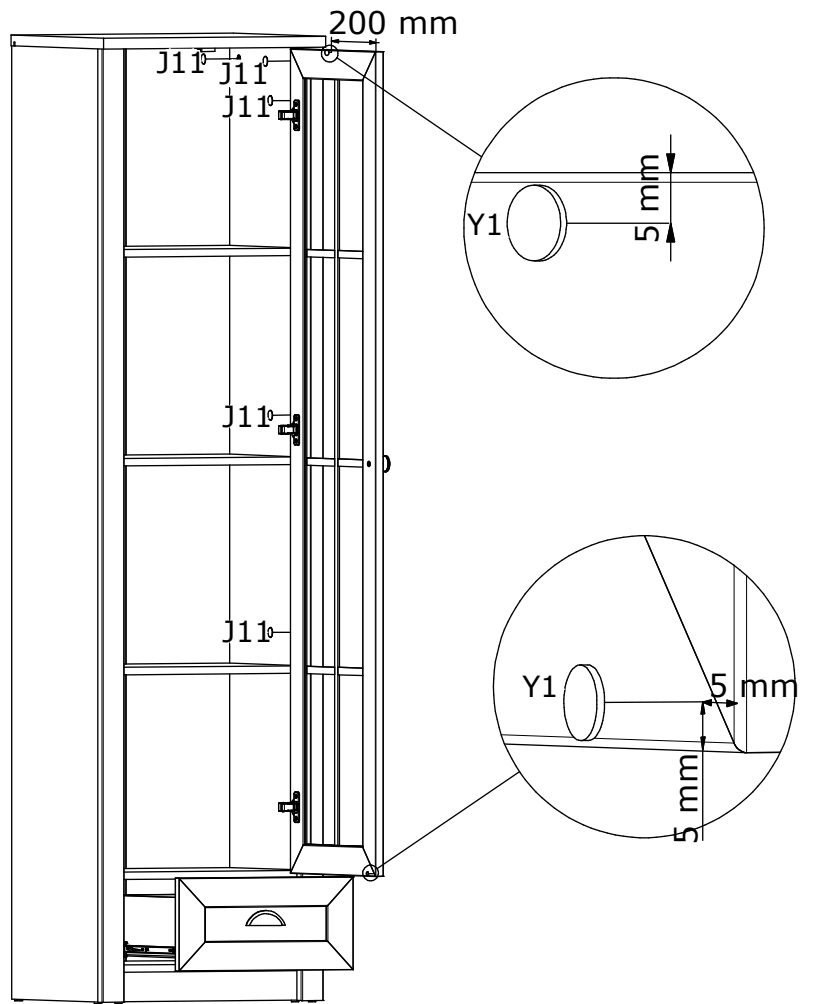
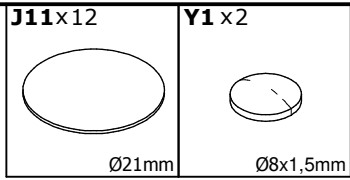
X4 x1



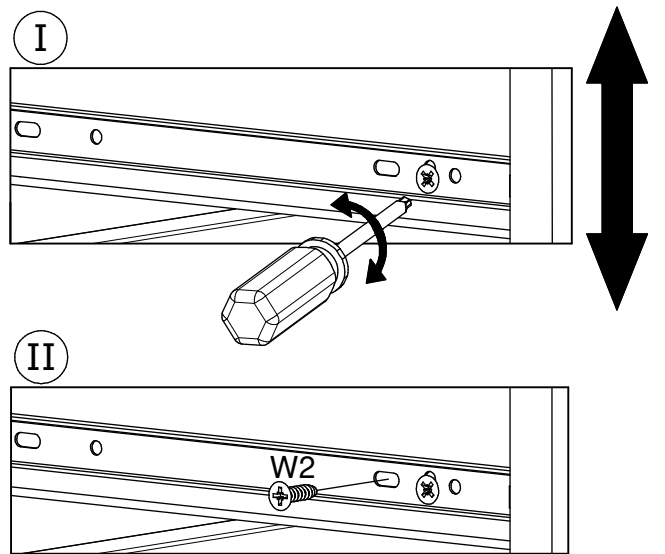
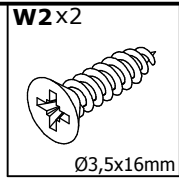
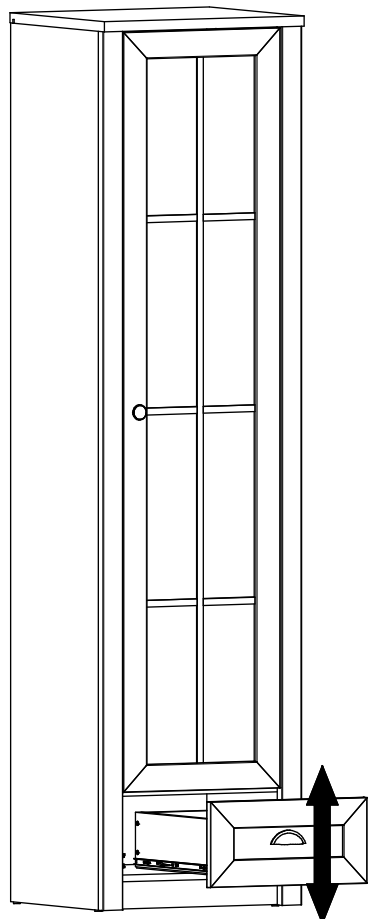
M4x25mm



24

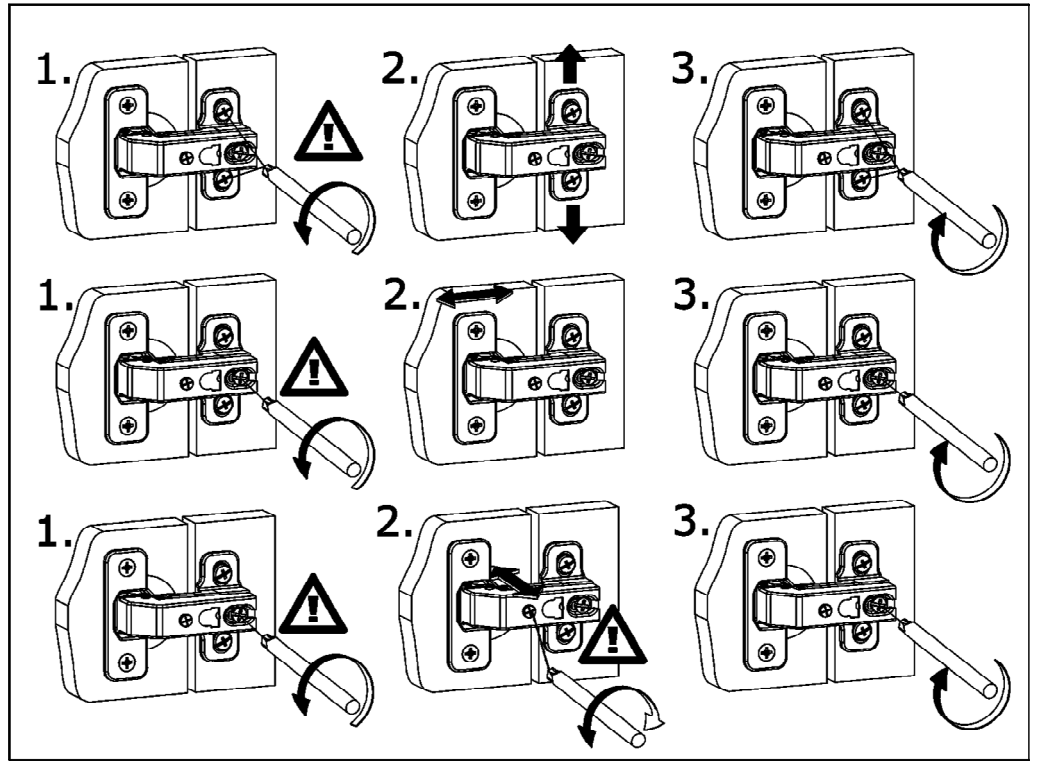
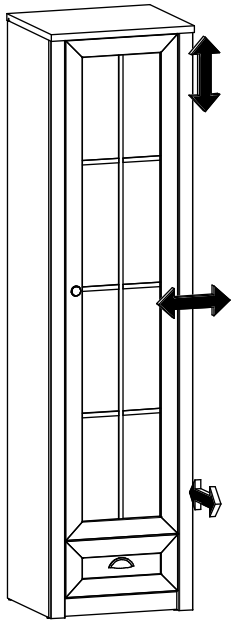


25



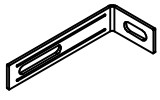


# 26



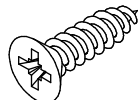
# 27

T1 x1



76x15mm

W2 x2



Ø3,5x16mm

253 mm

