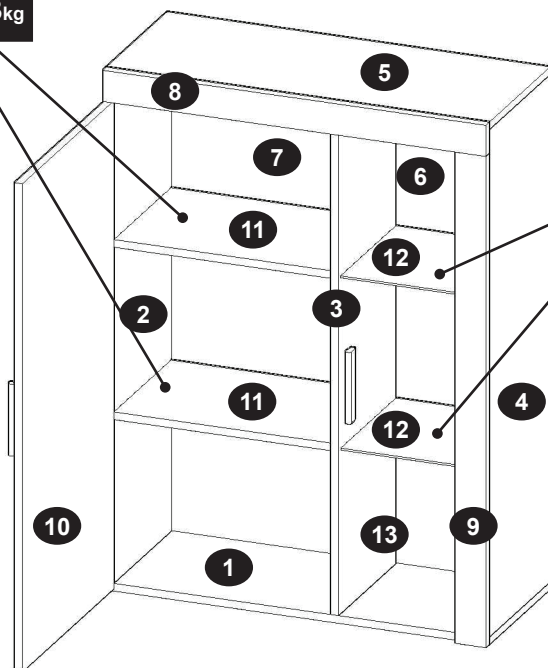


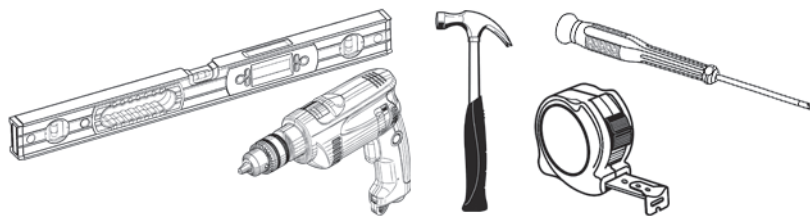
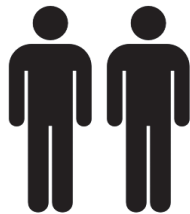
 MAX 3kg


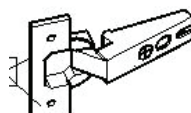
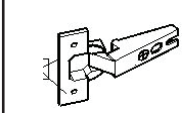
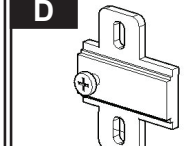
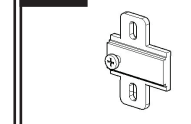
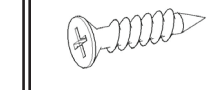
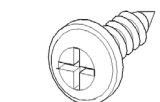
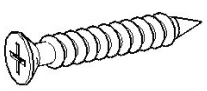
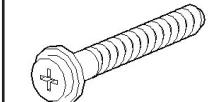
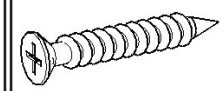


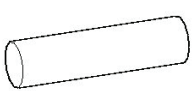
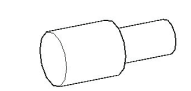
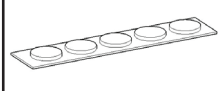
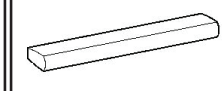
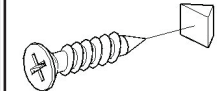
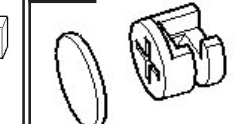
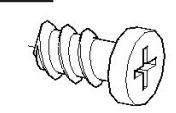
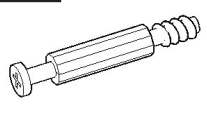
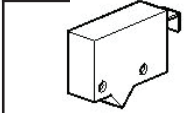
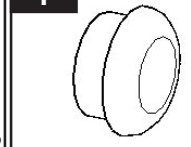


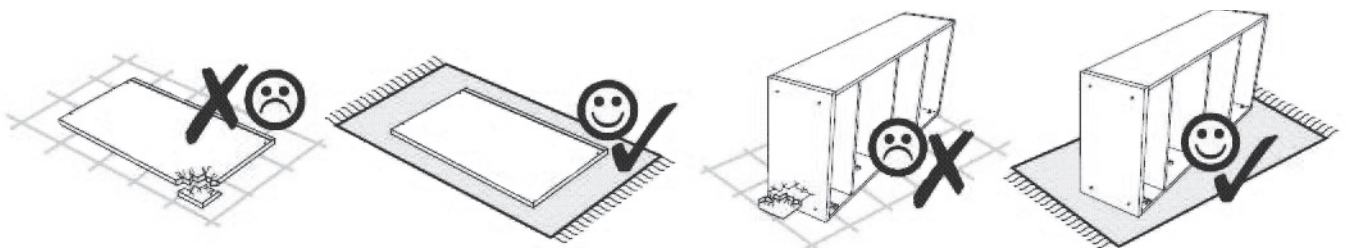
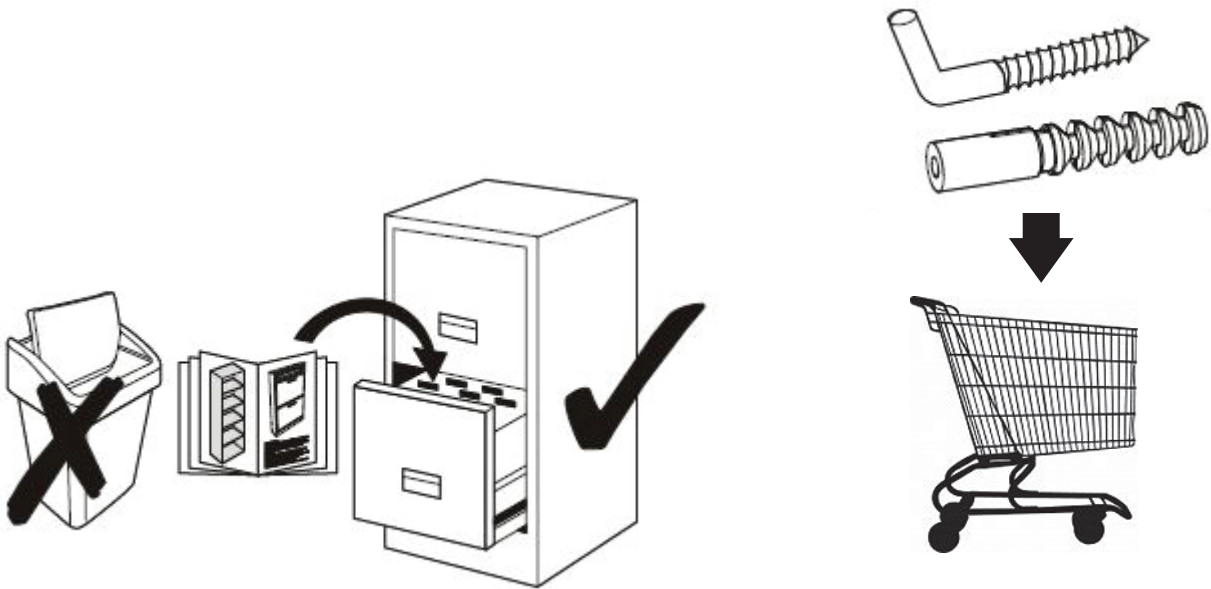
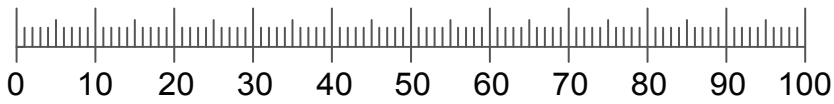
 MAX 3kg

**B**

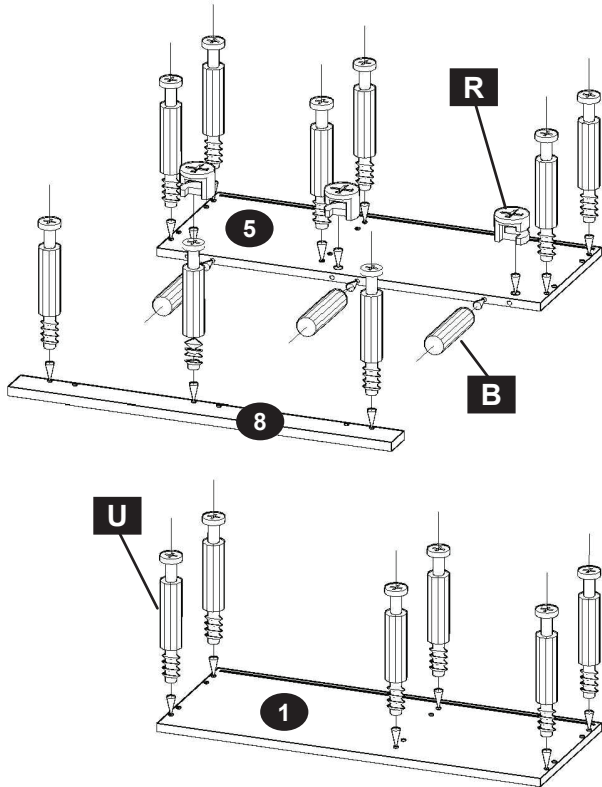
40 min.



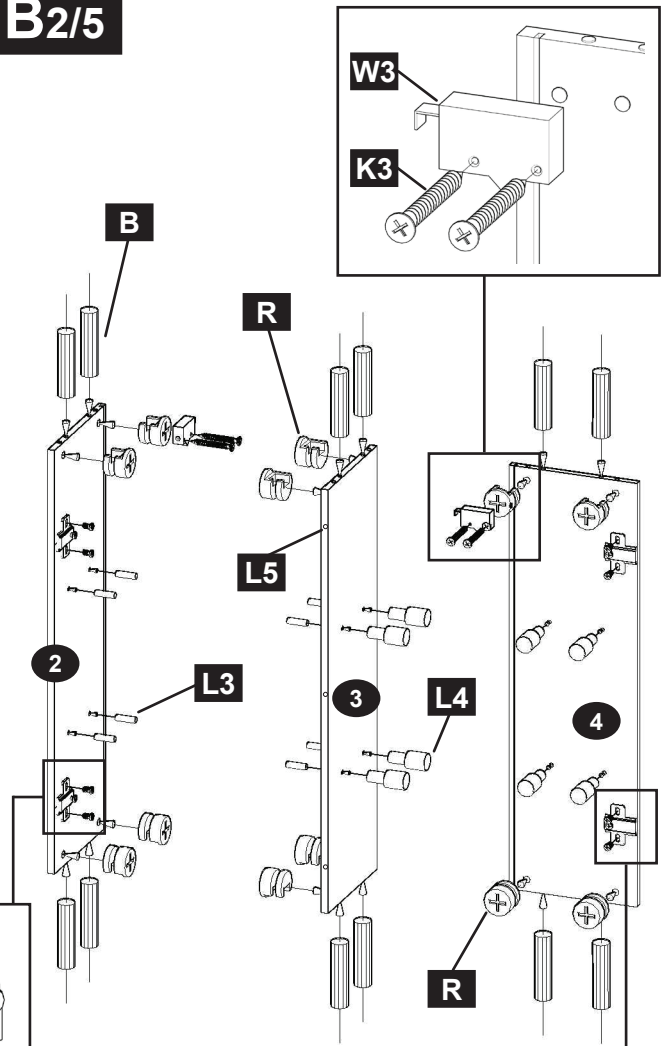
<b>B</b>  x15	<b>C</b>  x2	<b>C1</b>  MIINI x2	<b>D</b>  x2	<b>D1</b>  MIINI x2	<b>E</b>  4x13 x8
<b>E2</b>  4x16 x3	<b>K</b>  3x20 x4	<b>K1</b>  4x25 x4	<b>K3</b>  4x30 x4	<b>L1</b>  x4	<b>L2</b>  x5
<b>L3</b>  x8	<b>L4</b>  x8	<b>L5</b>  x5	<b>M</b>  x2	<b>P</b>  x8	<b>R</b>  x15
<b>T</b>  x4	<b>U</b>  x15	<b>W3</b>  x2	<b>Y</b>  x2		



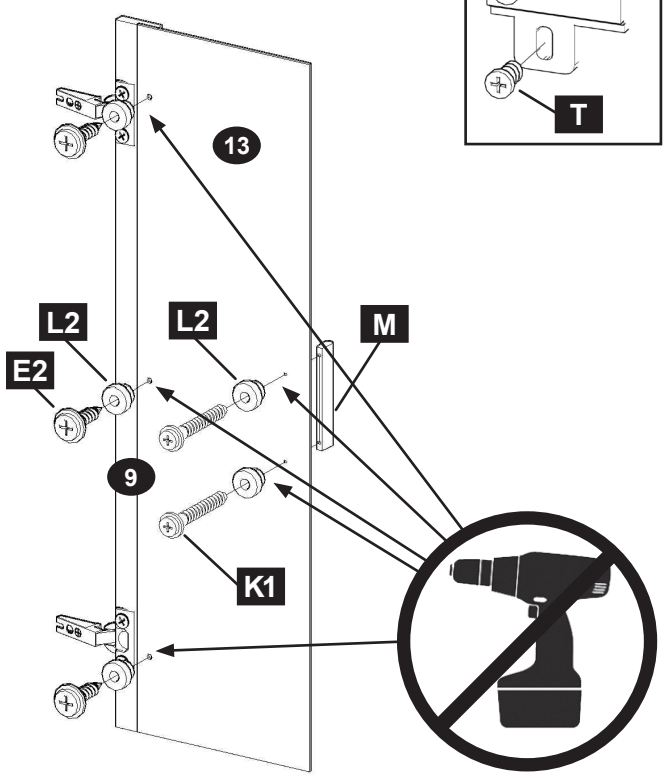
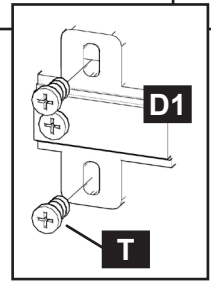
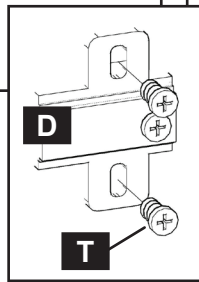
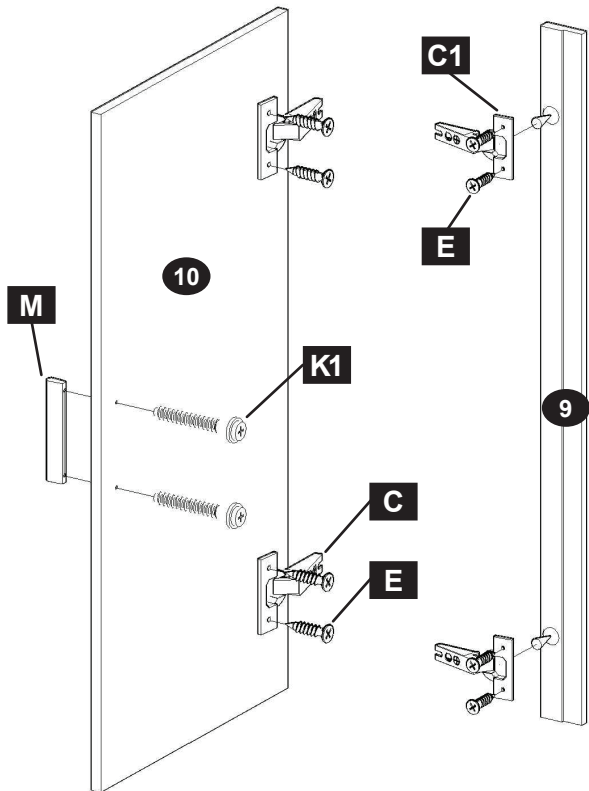
### B1/5



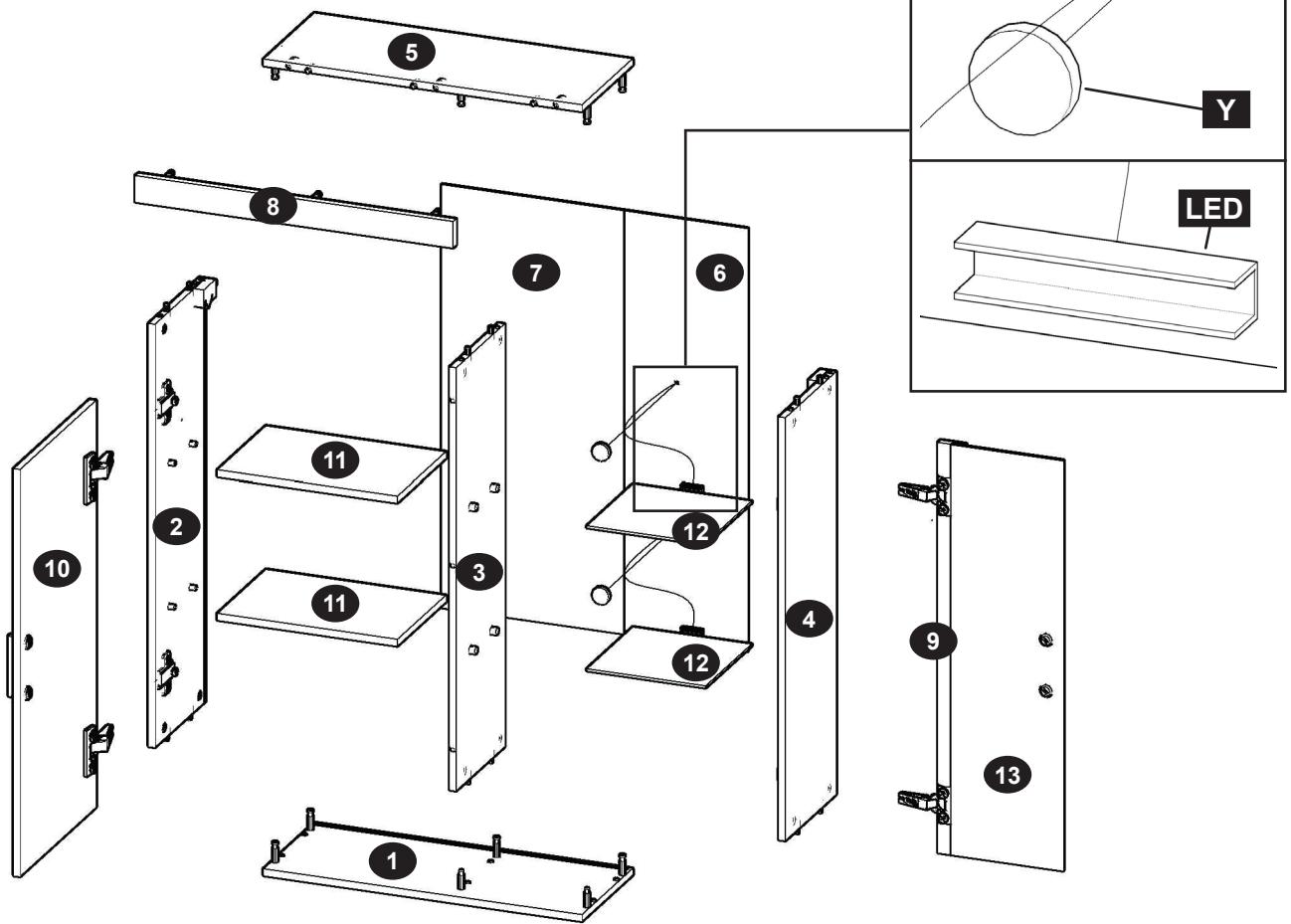
### B2/5



### B3/5



# B4/5



# B5/5

