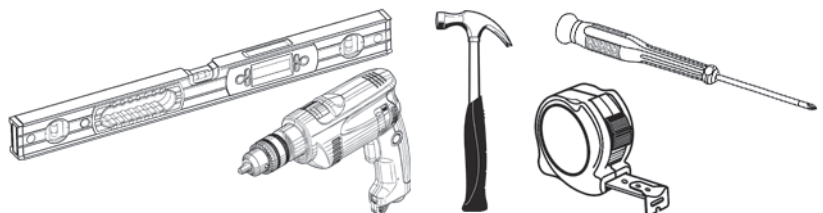
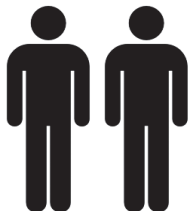
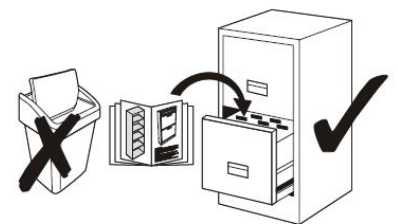
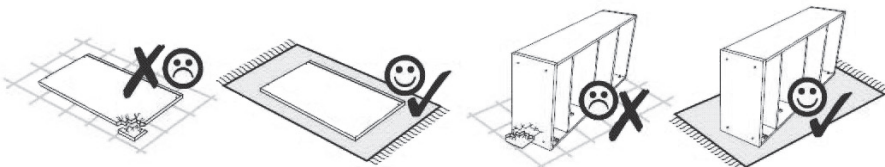
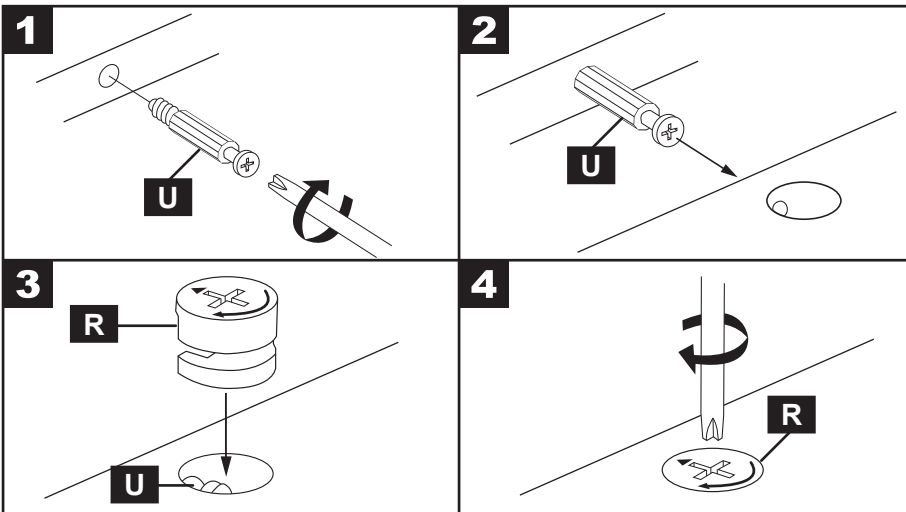
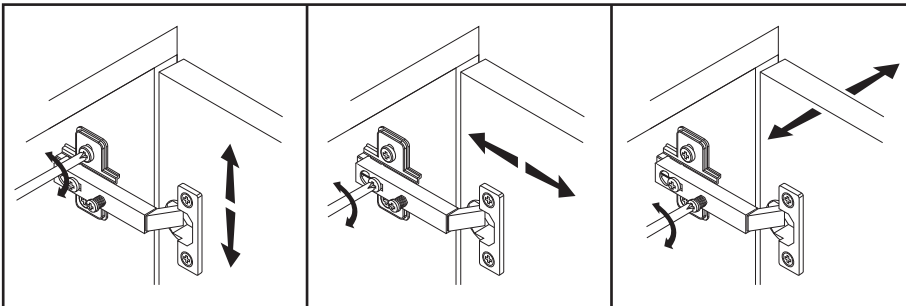
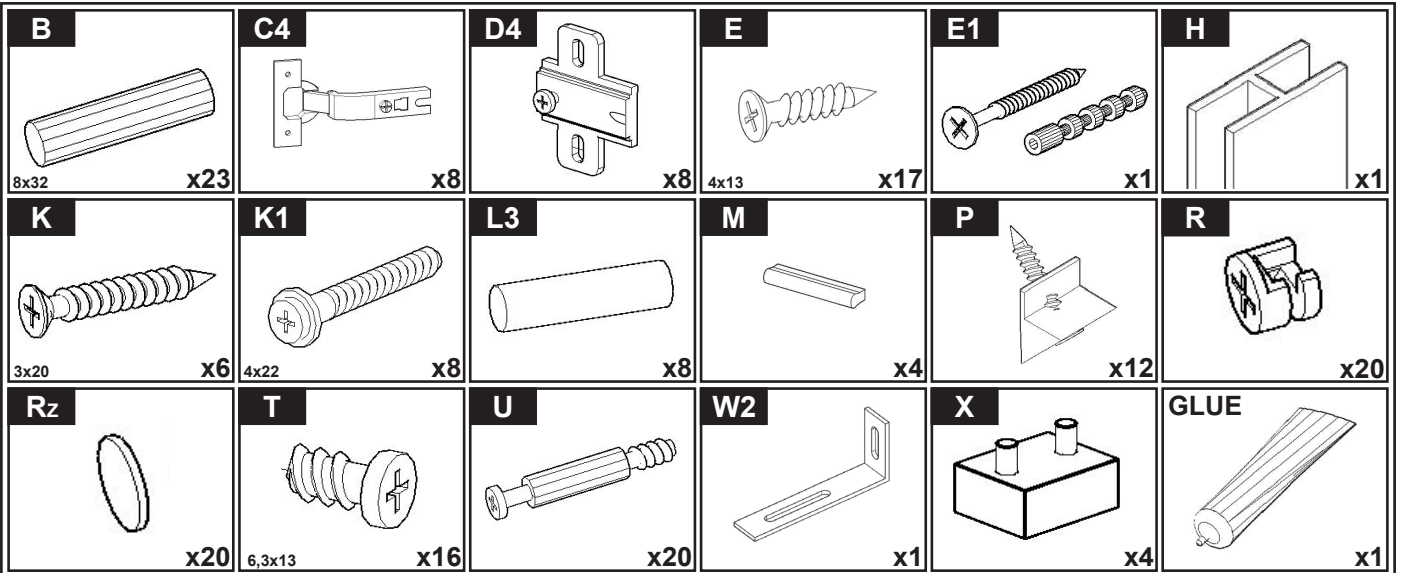


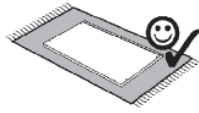
A

60 min.

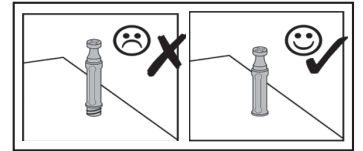




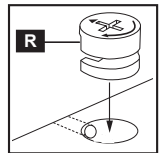
A1/13



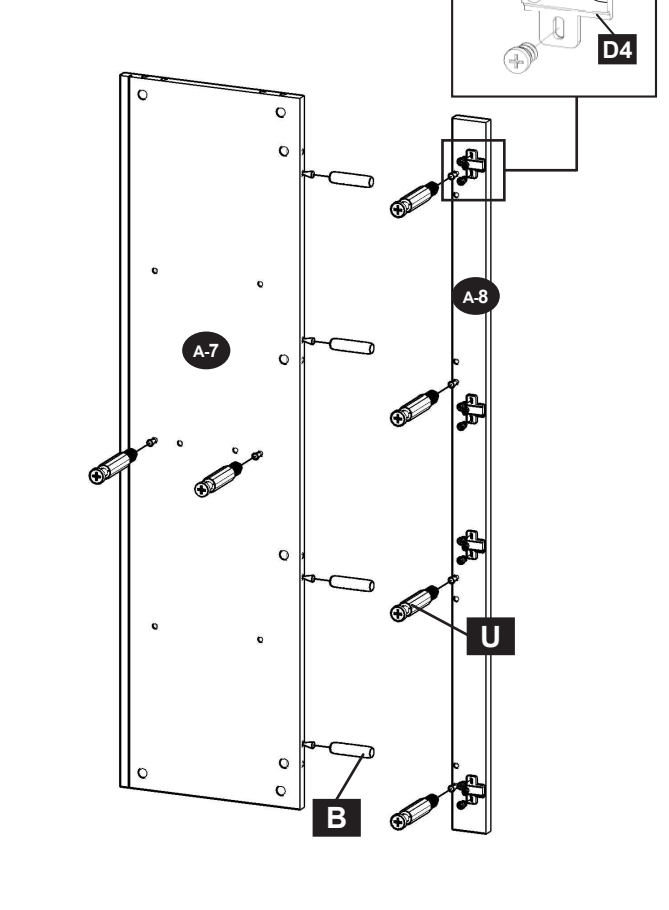
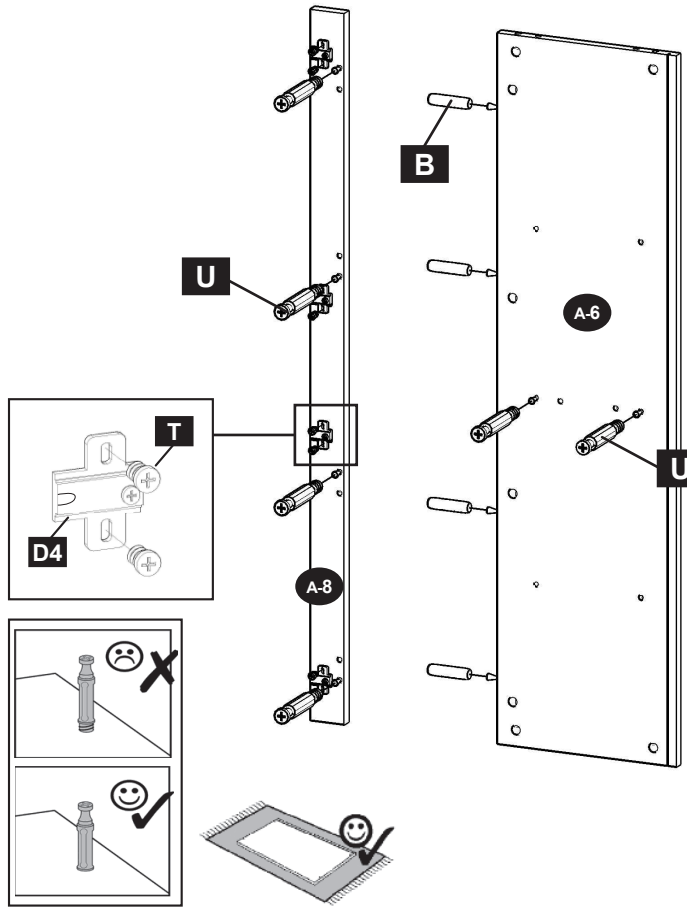
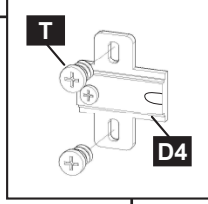
A3/13



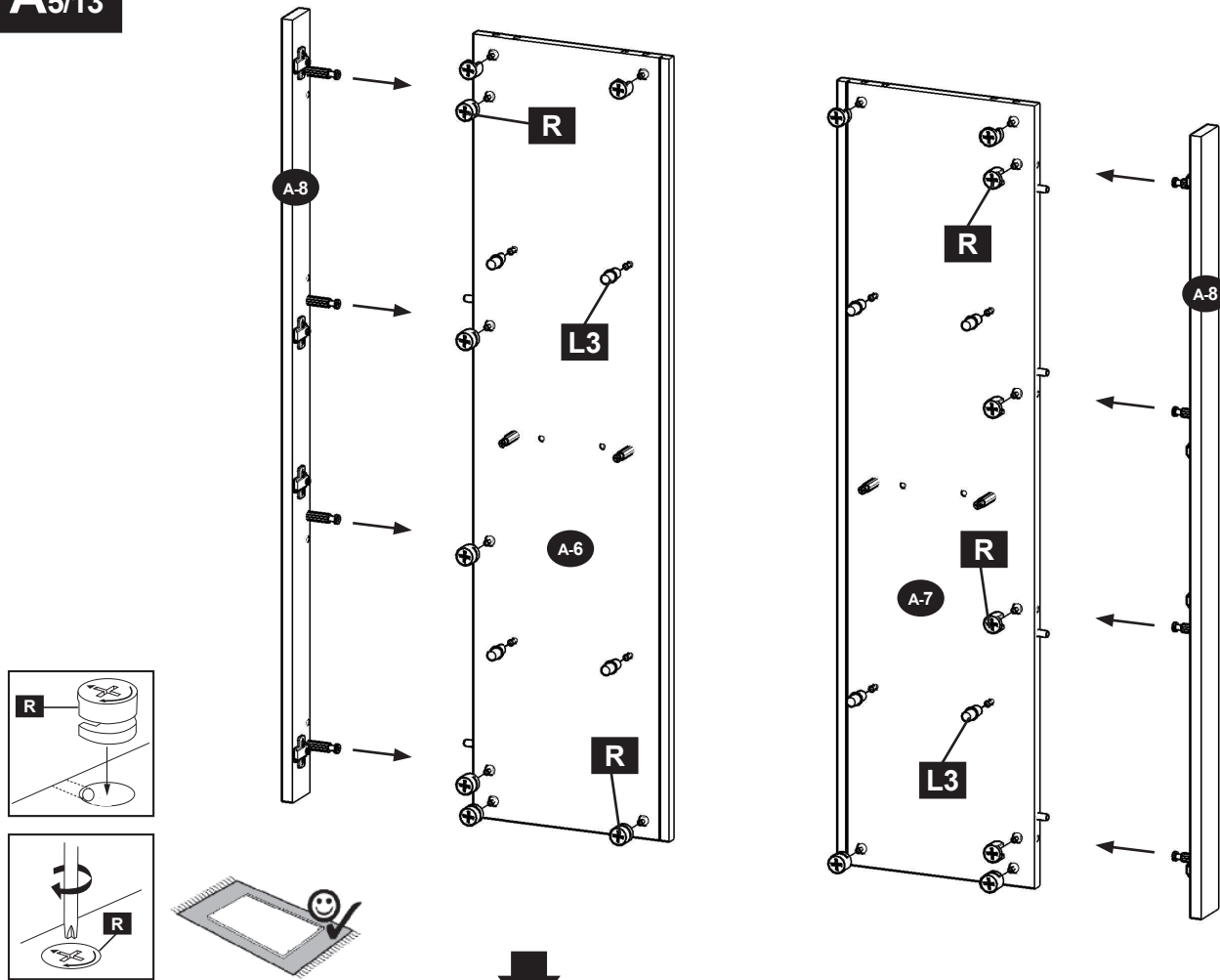
A2/13



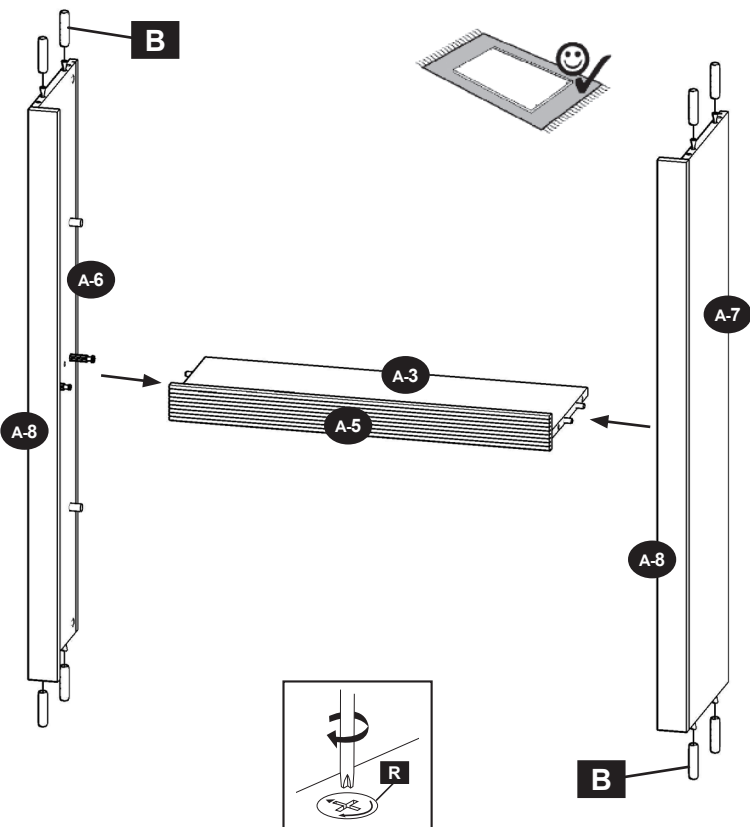
A4/13



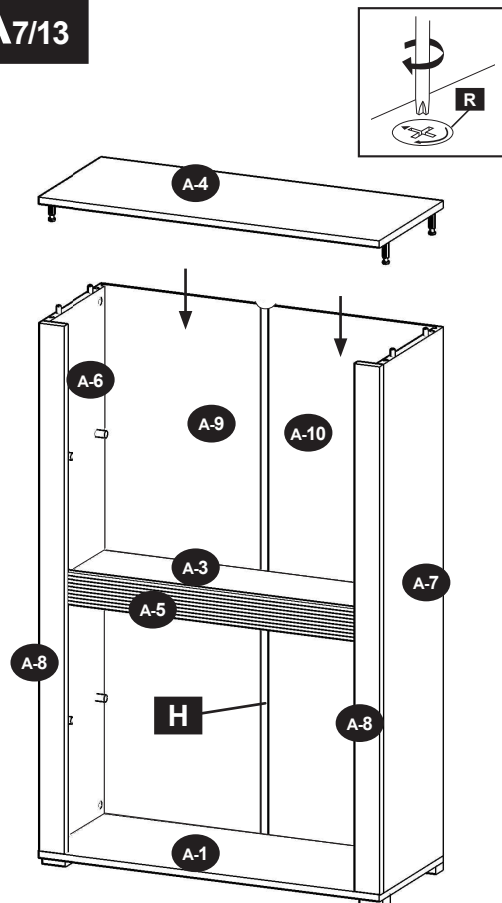
A5/13



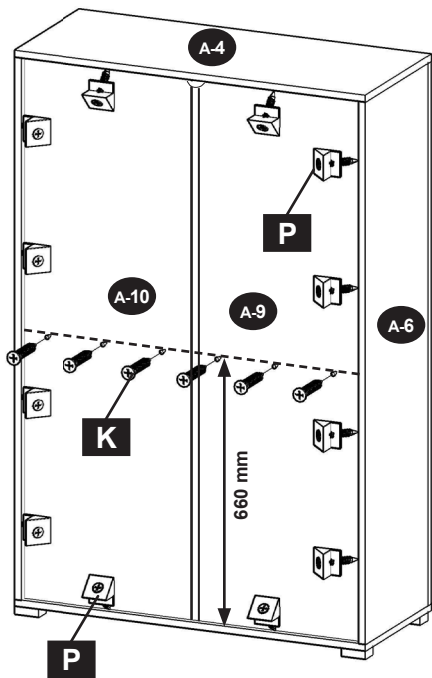
A6/13



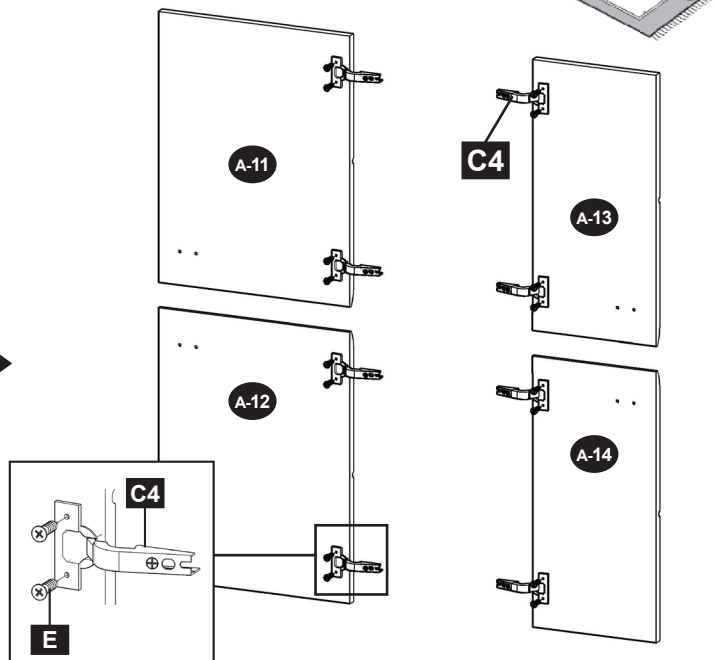
A7/13



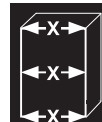
A8/13



A9/13

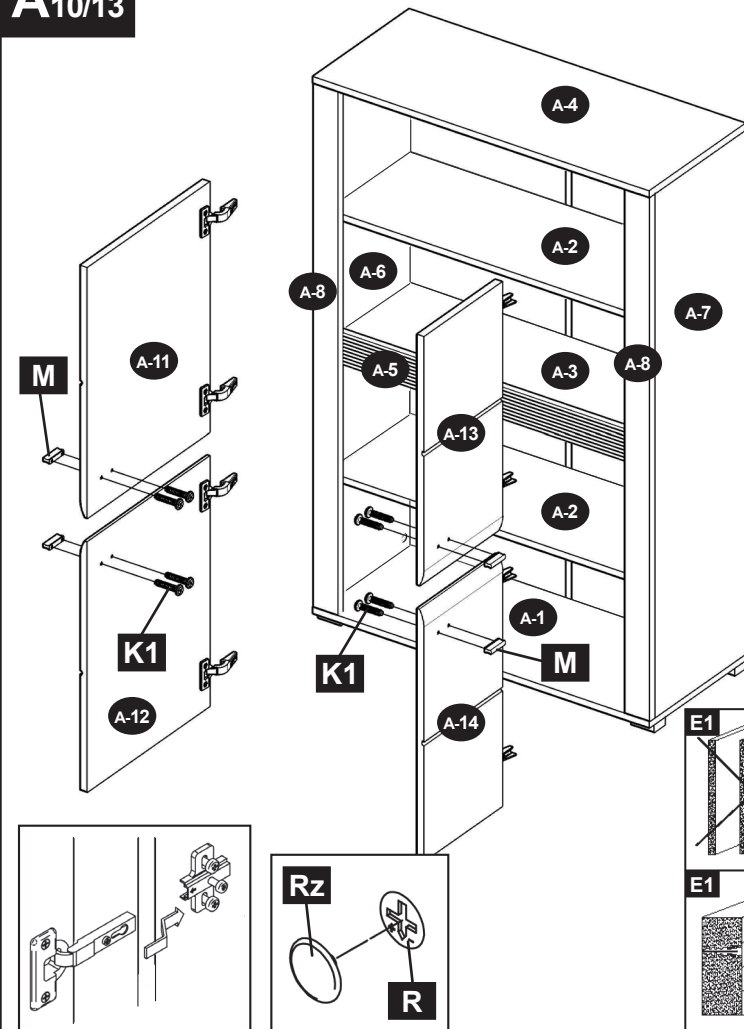


A=B

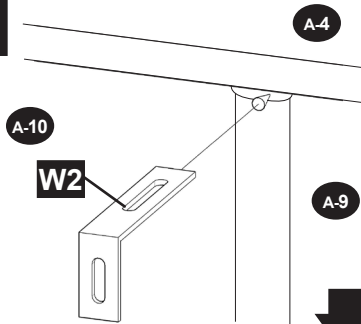


X=900mm

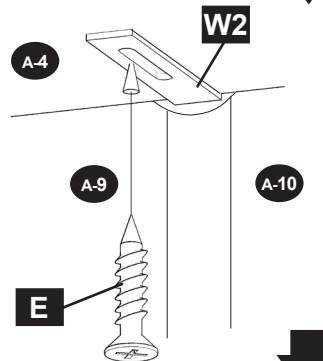
A10/13



A11/13



A12/13



A13/13

