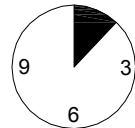
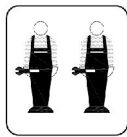
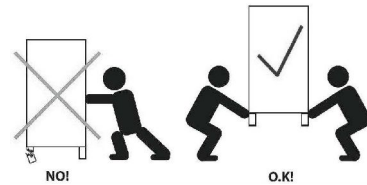
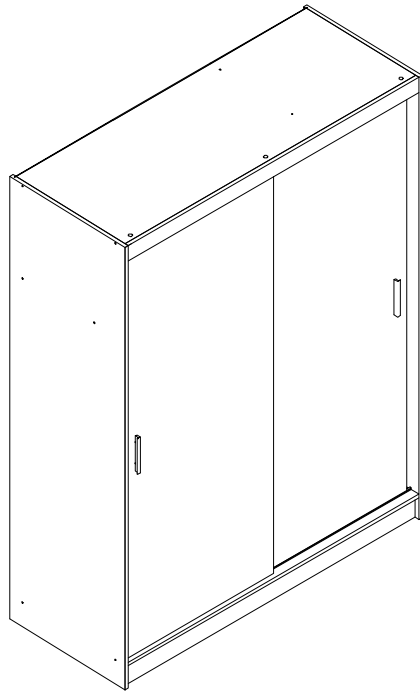
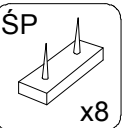
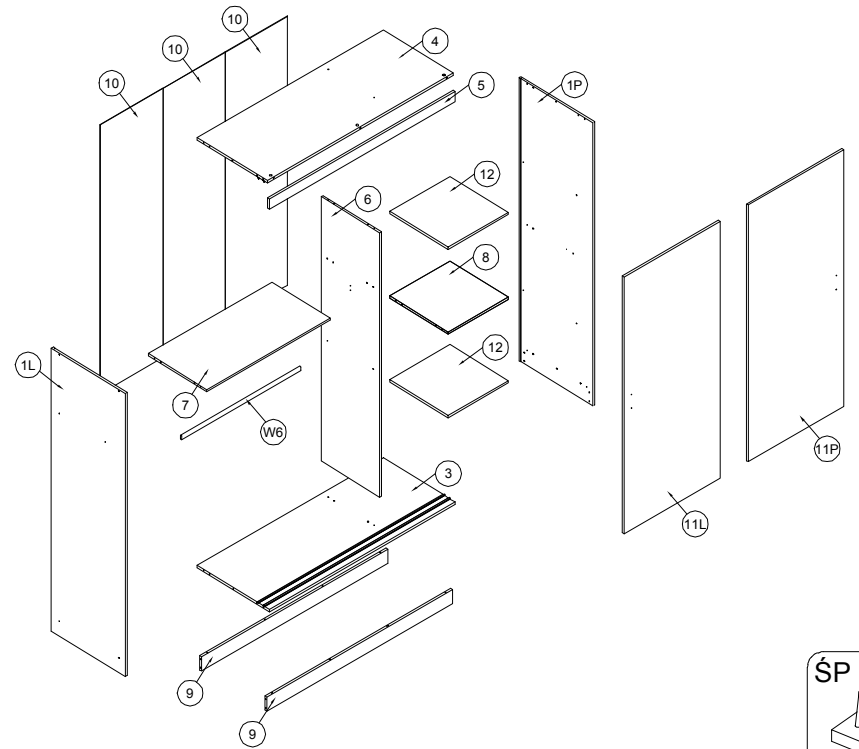


130

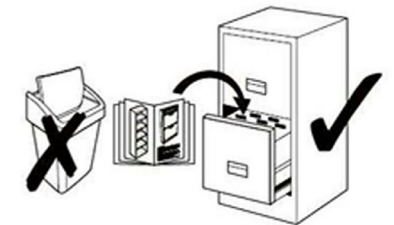
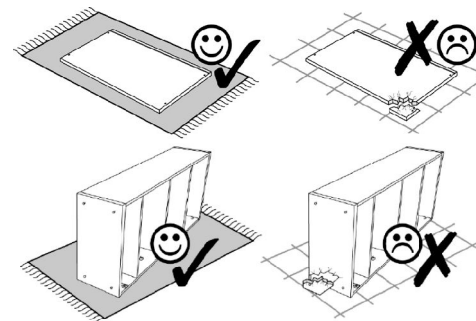


2-2,5

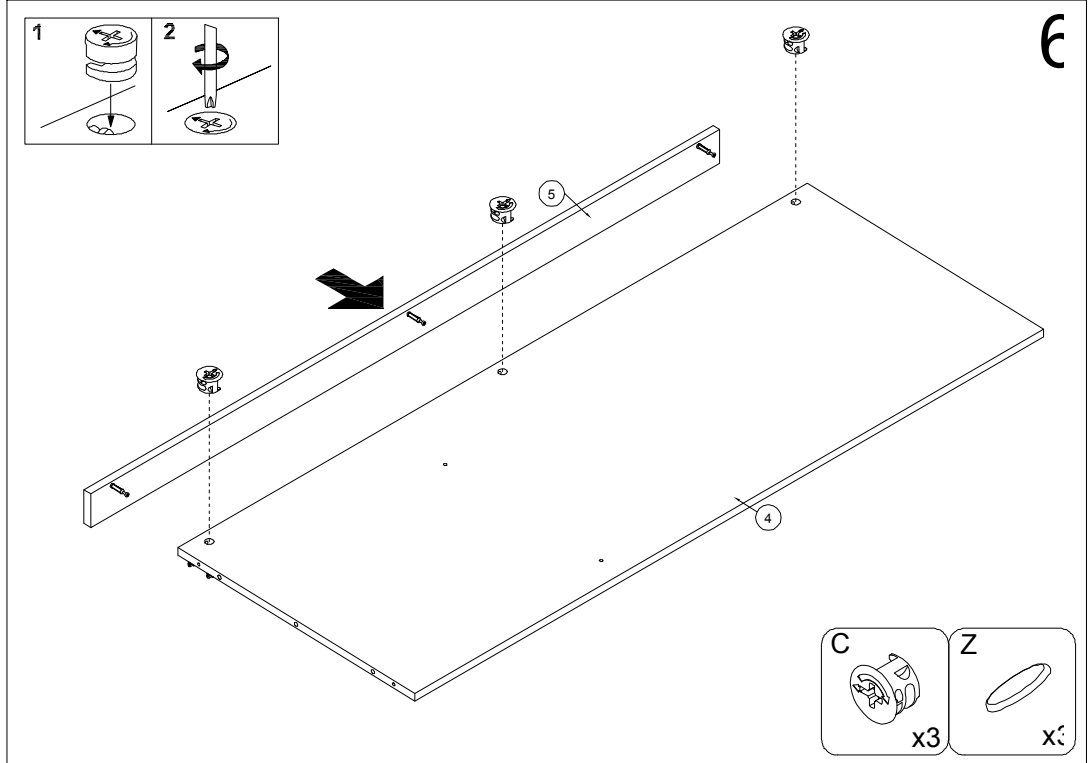
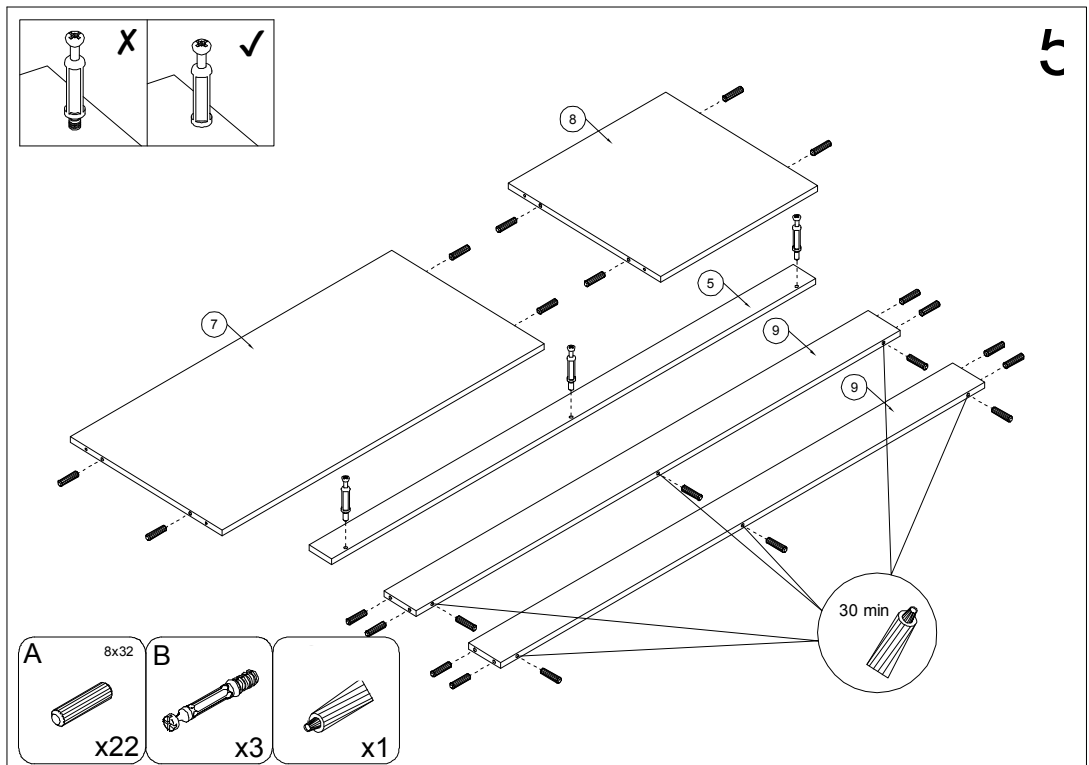
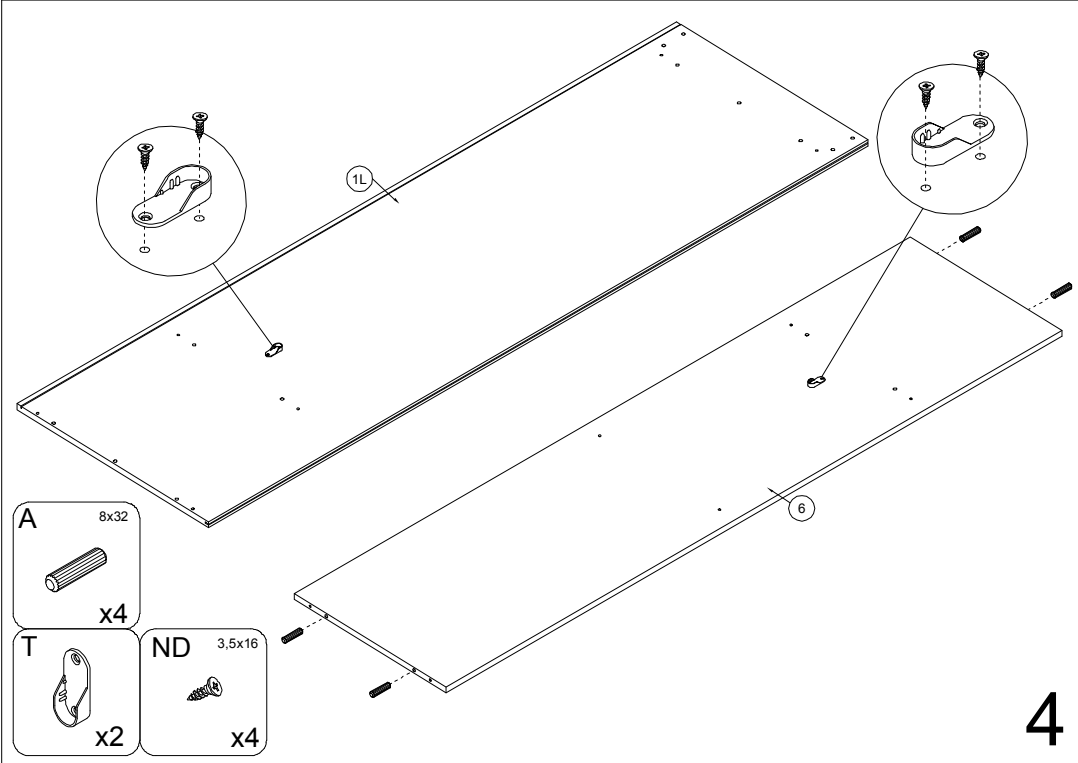
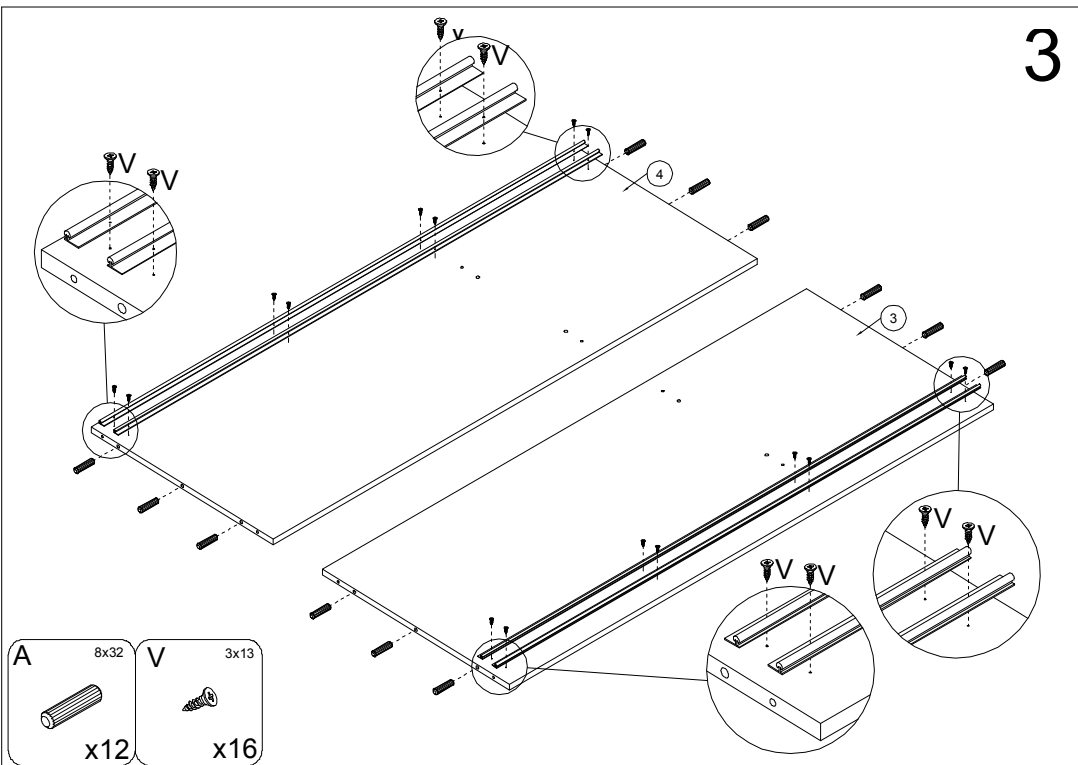
1

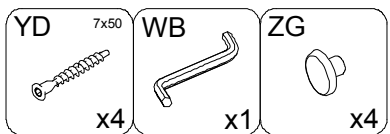
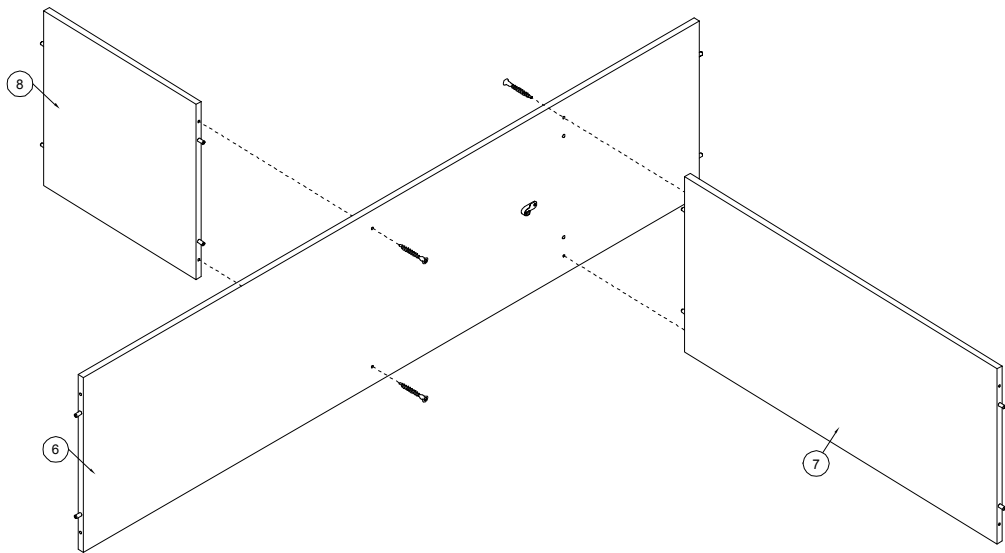


V 3x13 x16	H 6,3x13 x16	W x2	YA 4x27 x4	DA x4	D x4	DB L-1850mm x2	ZF x4
W6 L-797mm x1	ZB x8	X x8	ZC x13	S L-1867mm x1	N 3x20 x40	YD 7x50 x20	WB x1
A 8x32 x38	T x2	ND 3,5x16 x16	B x3	C x1	C x3	Z x3	ZG x20

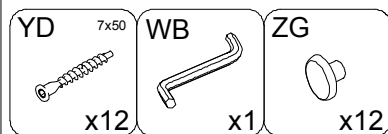
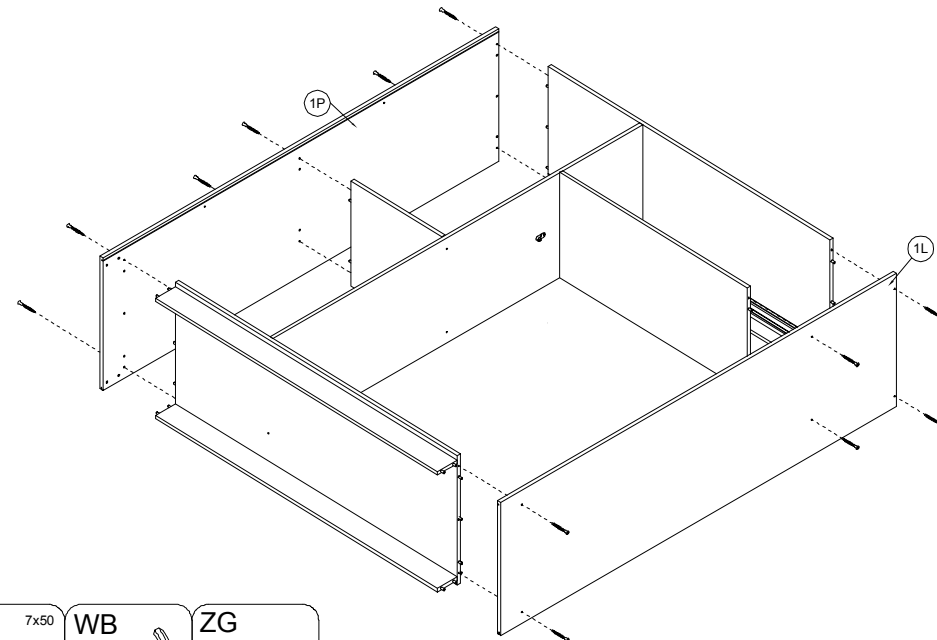


2

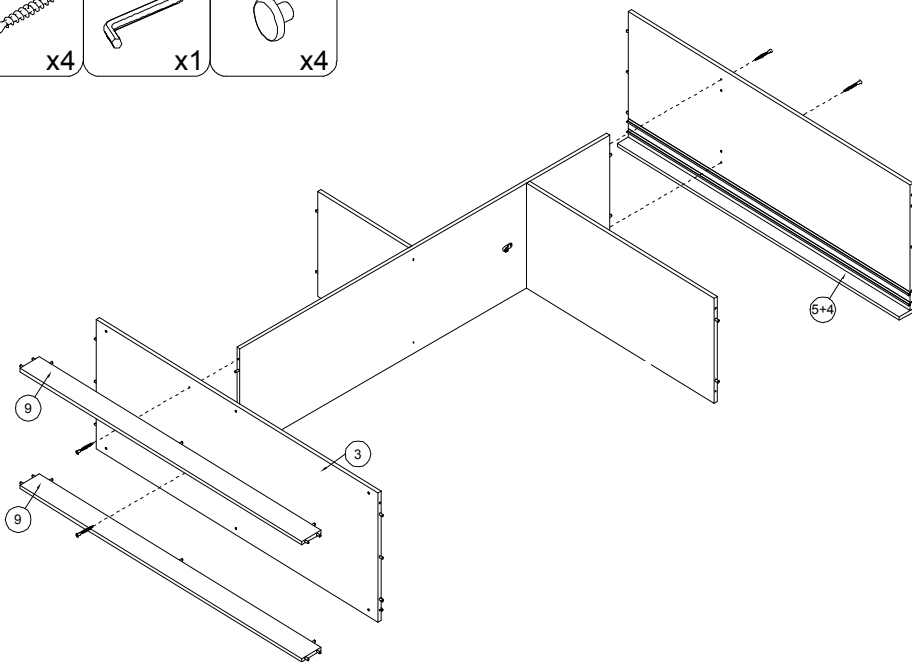
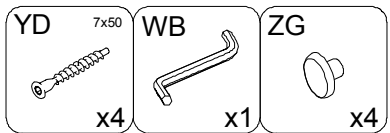




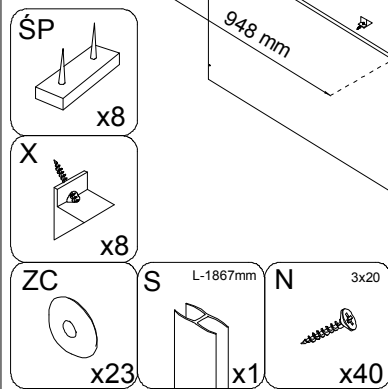
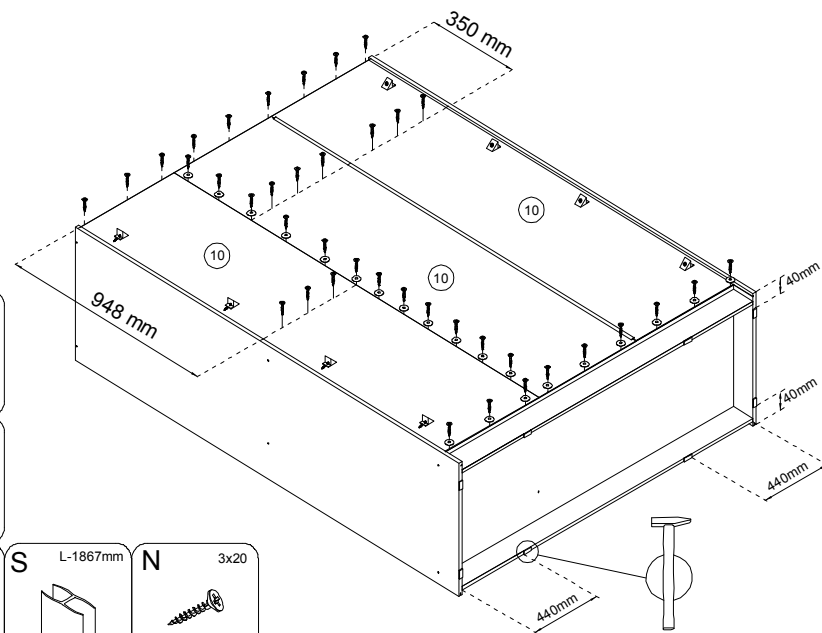
7



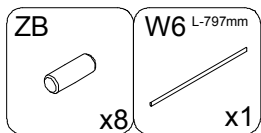
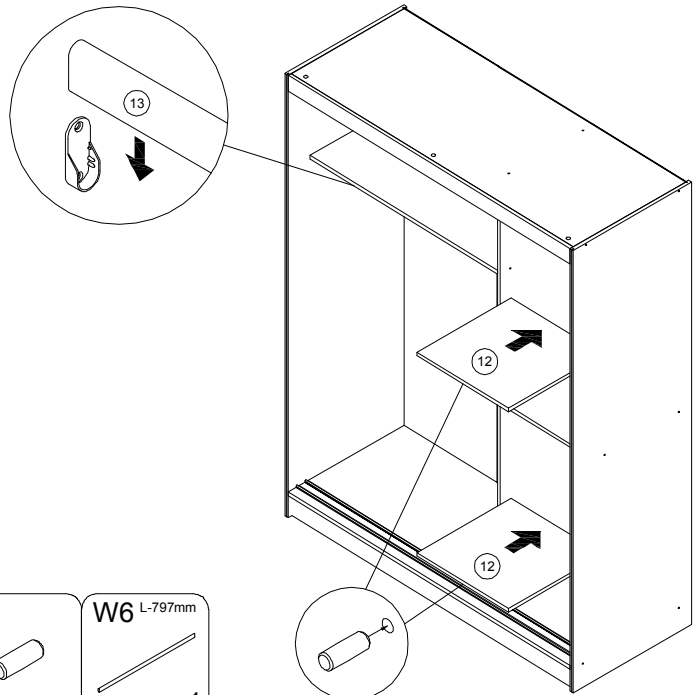
9



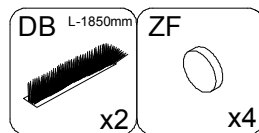
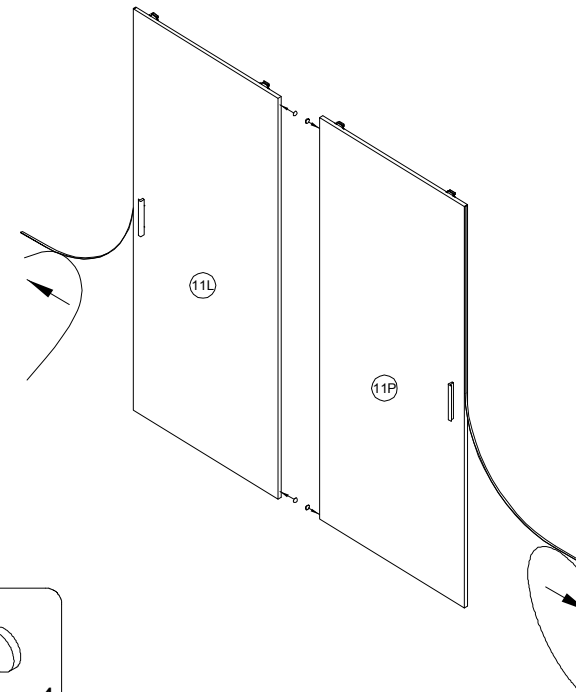
8



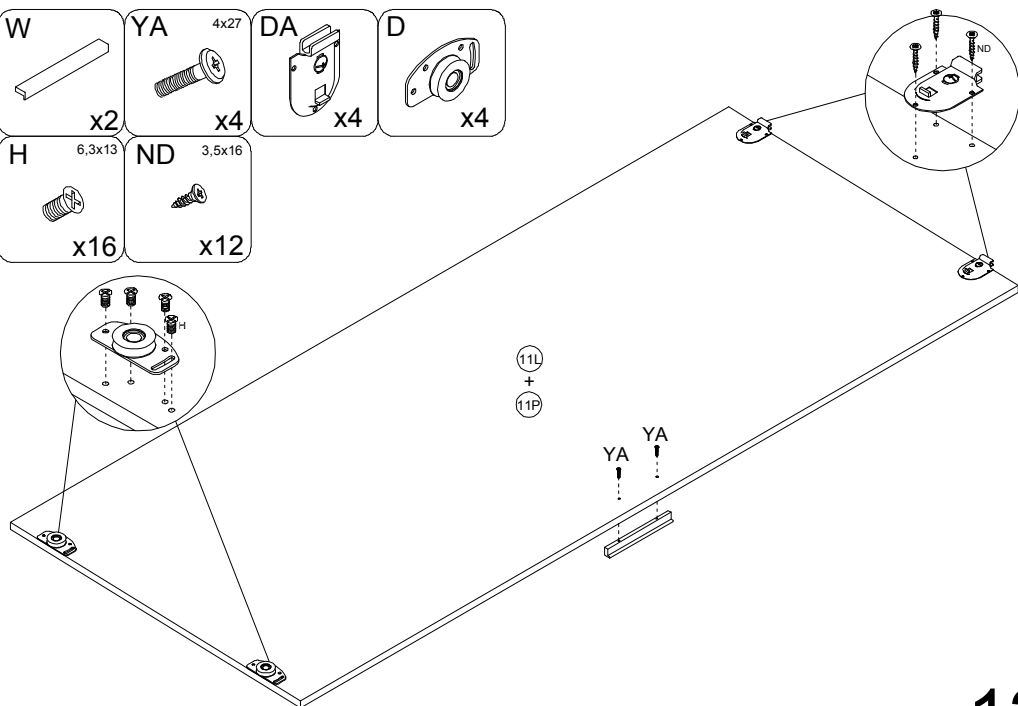
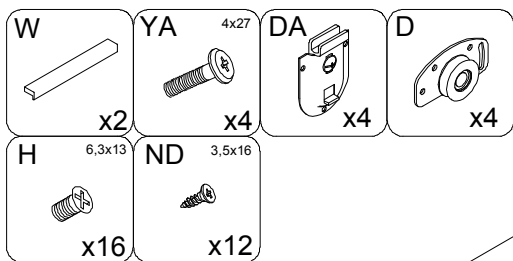
10



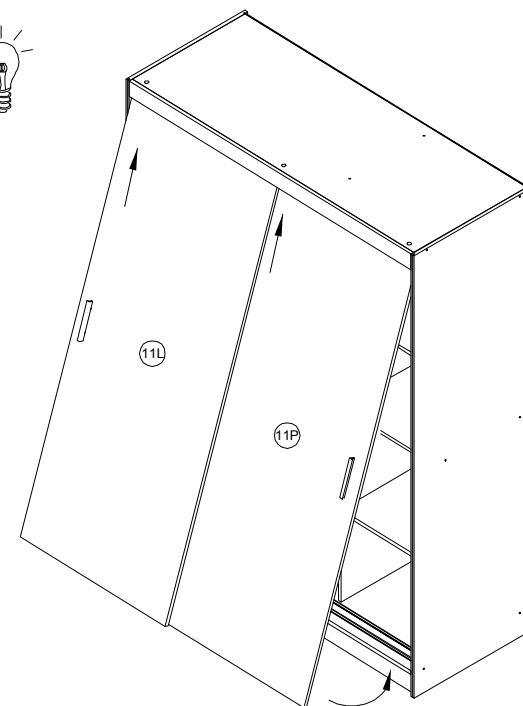
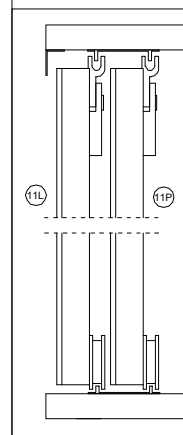
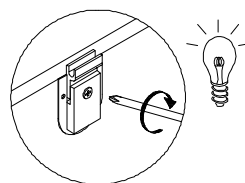
11



13

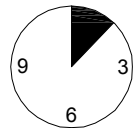
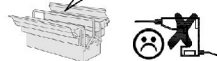
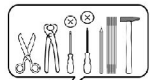
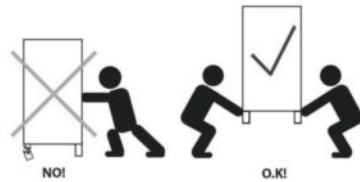
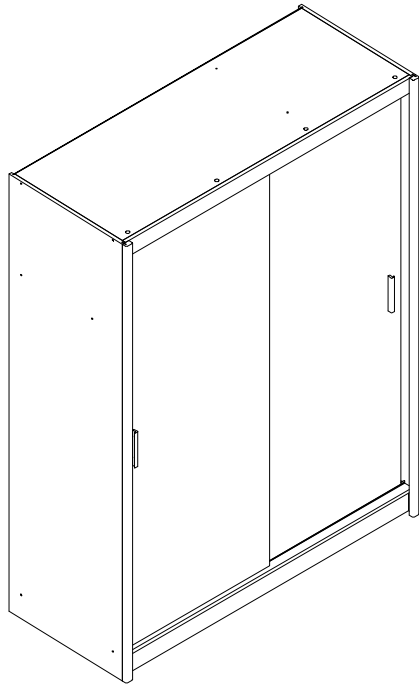


12



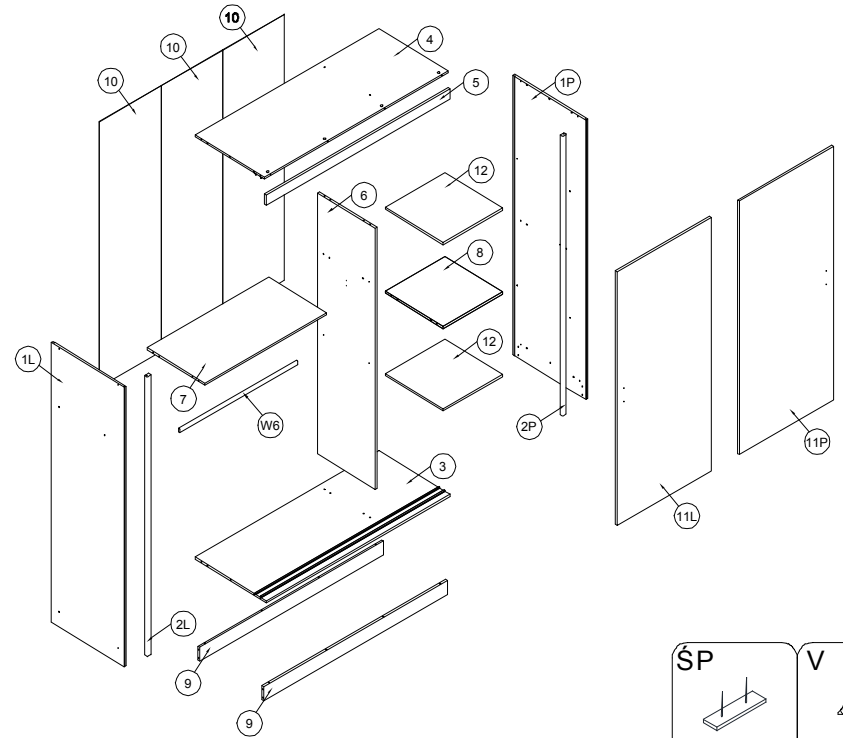
14

150

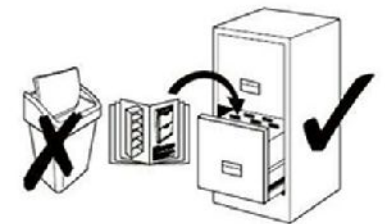
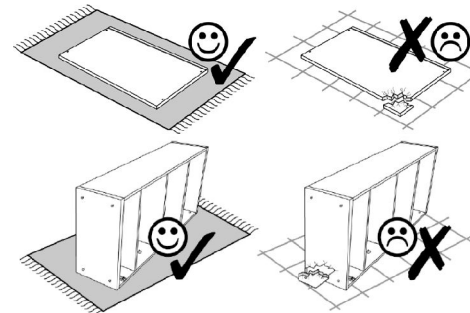


2-2,5

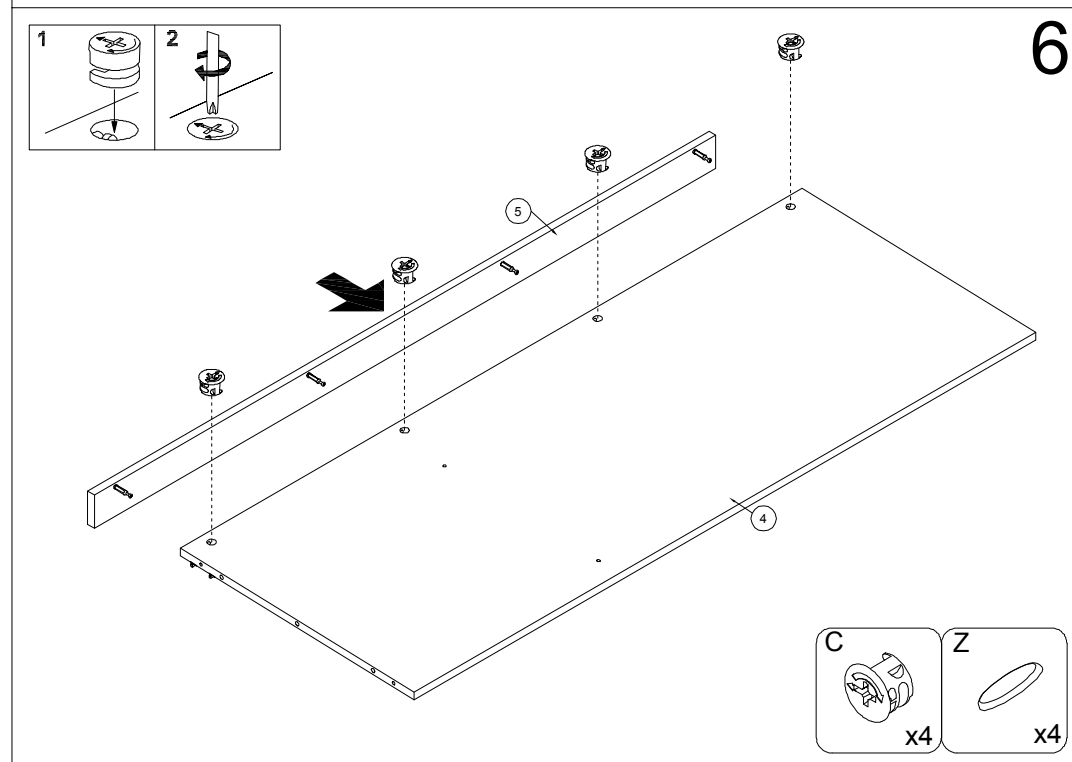
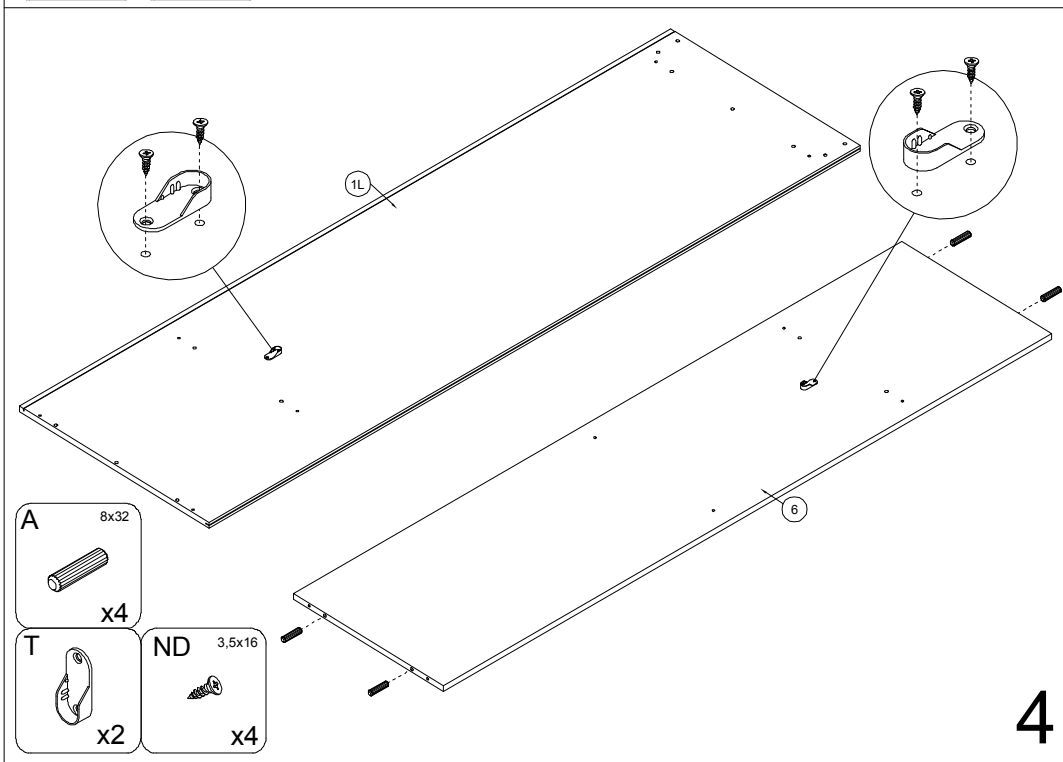
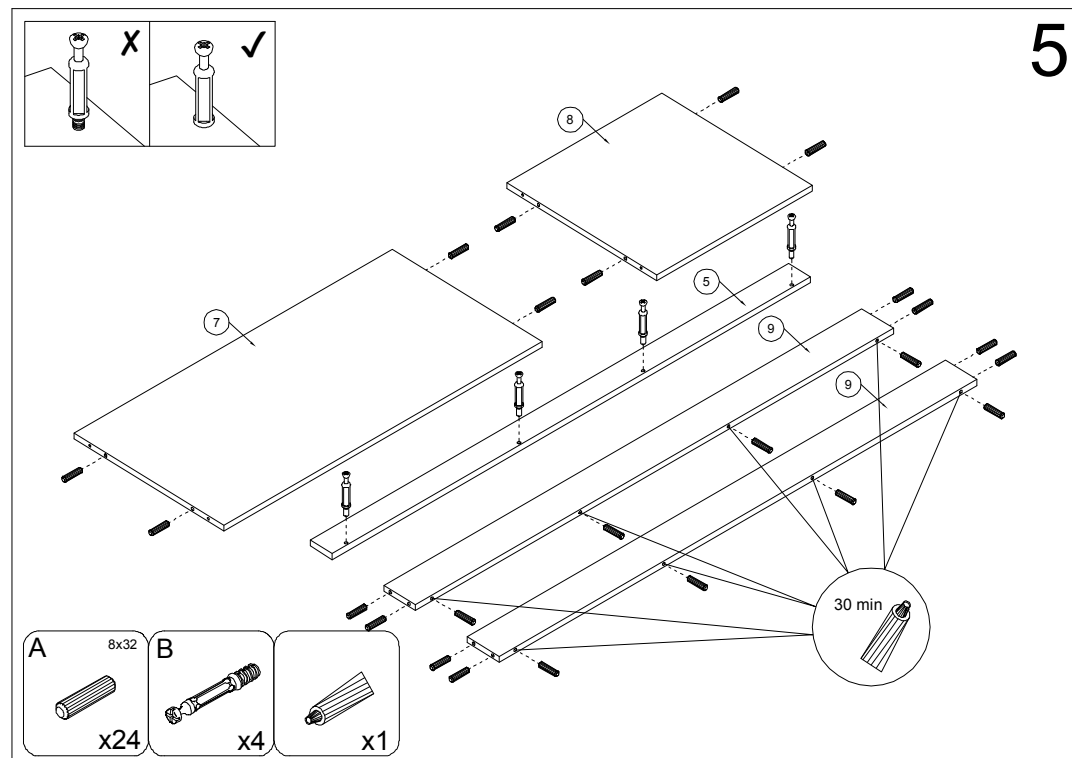
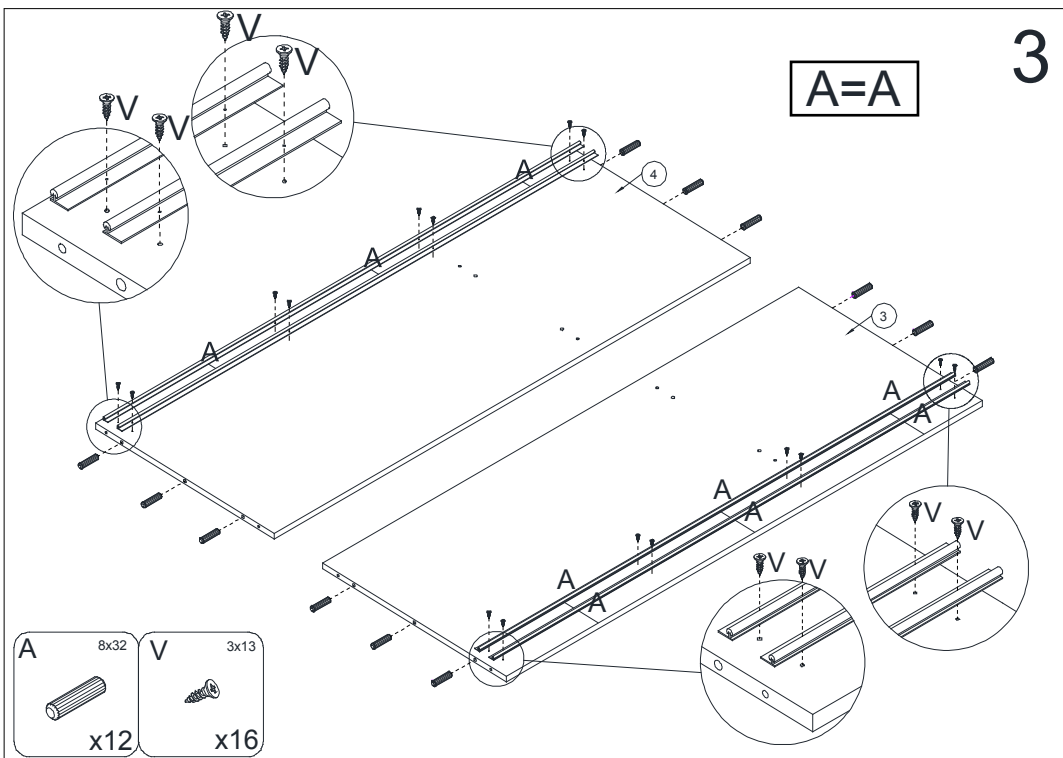
1

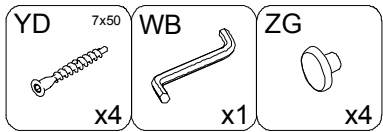
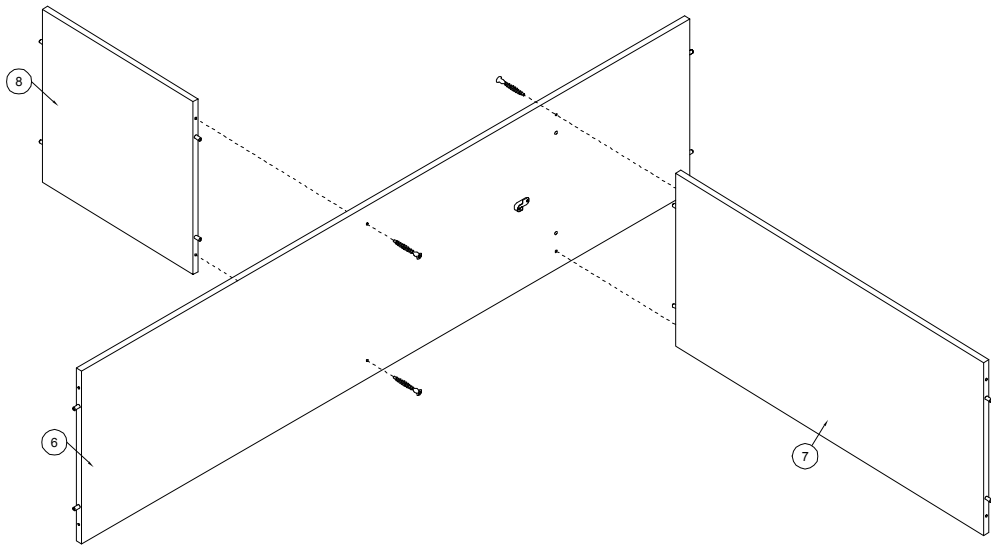


H 6,3x13 x16	W x2	YA 4x27 x4	DA x4	D x4	LM x10	DB L-185mm x2	ZF x4	ŠP x8	V 3x13 x16
W6 L-997mm x1	ZB x8	X x8	ZC x23	S L-1867mm x1	N 3x20 x42	YD 7x50 x20	WB x1		
A 8x32 x40	T x2	ND 3,5x16 x16	B x4		C x1	Z x4	ZG x20		

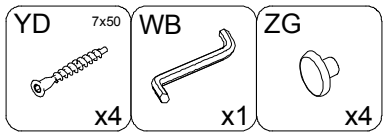
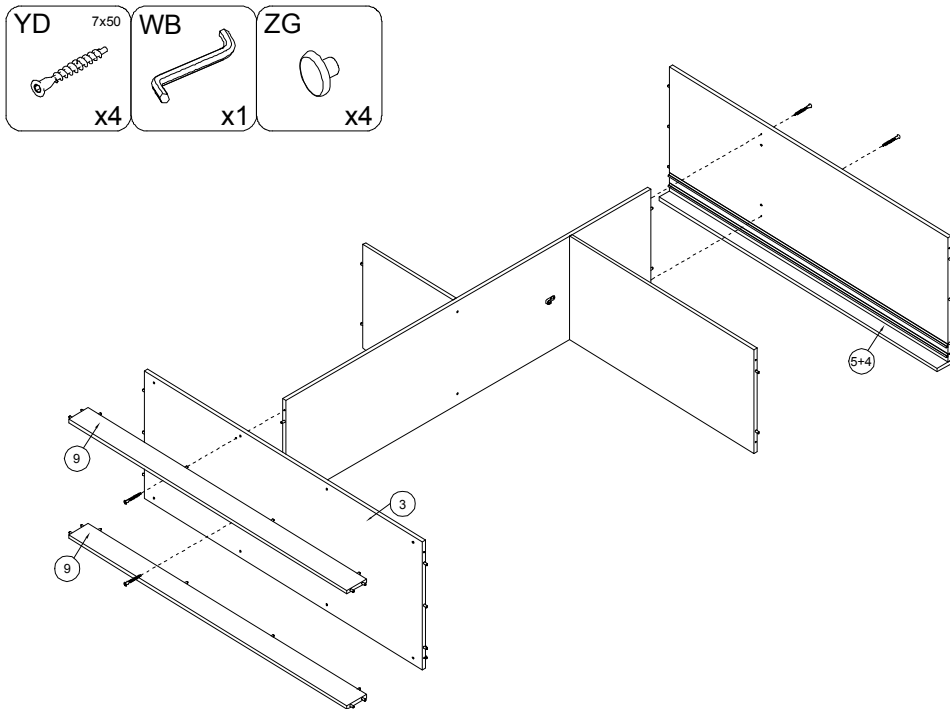


2

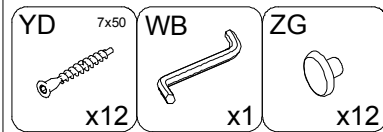
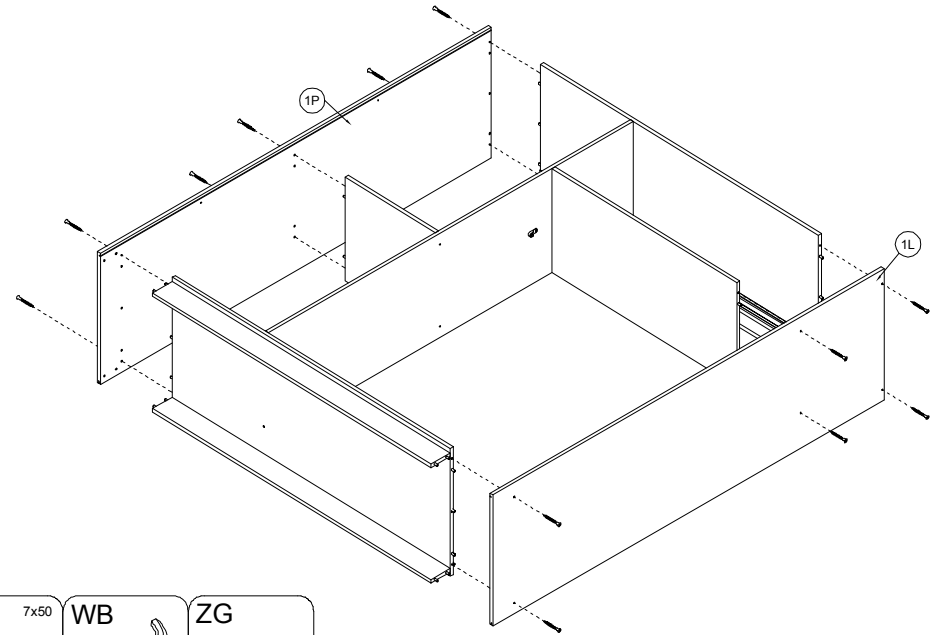




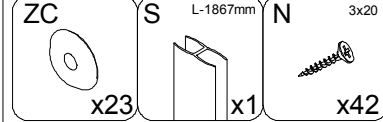
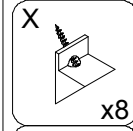
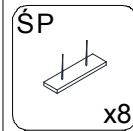
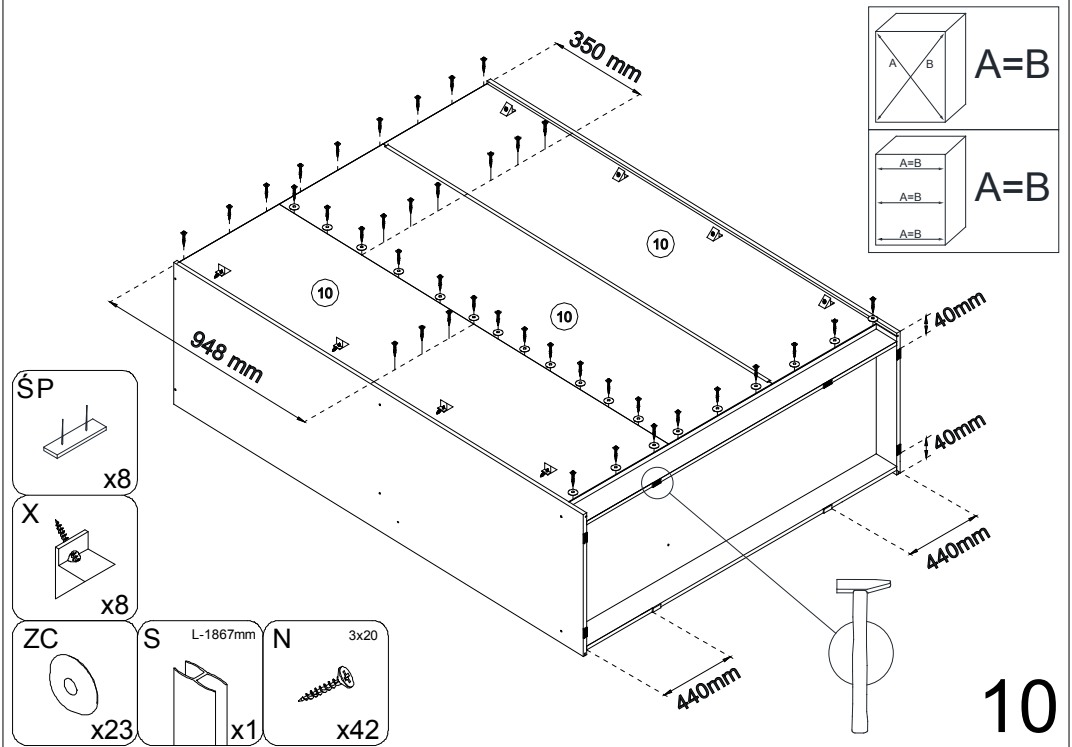
7



8



9



10

